



ADDENDUM No. 01

Date Issued	February 4, 2015
LRL Project No.	150683
Issued by	Nicolas Séguin, EIT LRL Associates Ltd.
Project	CFIA Ottawa (Fallowfield) Interior Upgrades 3851 Fallowfield Rd. Ottawa, Ontario
Architect	Robertson Martin Architects
Client	PWGSC

LIGHTING CLARIFICATIONS

1. Refer to attached Sketch SK.E1 for the lighting modifications in the washroom and closet.
2. Refer to attached light fixture technical sheets for basis of design. Equivalent models will be accepted.
3. All rectangular light fixtures to be seismically supported by four (4) chains installed at a 45° angle and secured to building structure. The pot lights shall be secured to the building structure by one single chain. All light fixtures installed in T-bar shall be secured to grid as per National Electrical Code (NEC), latest edition. Contractor shall provide a seismic letter at the end of the work.

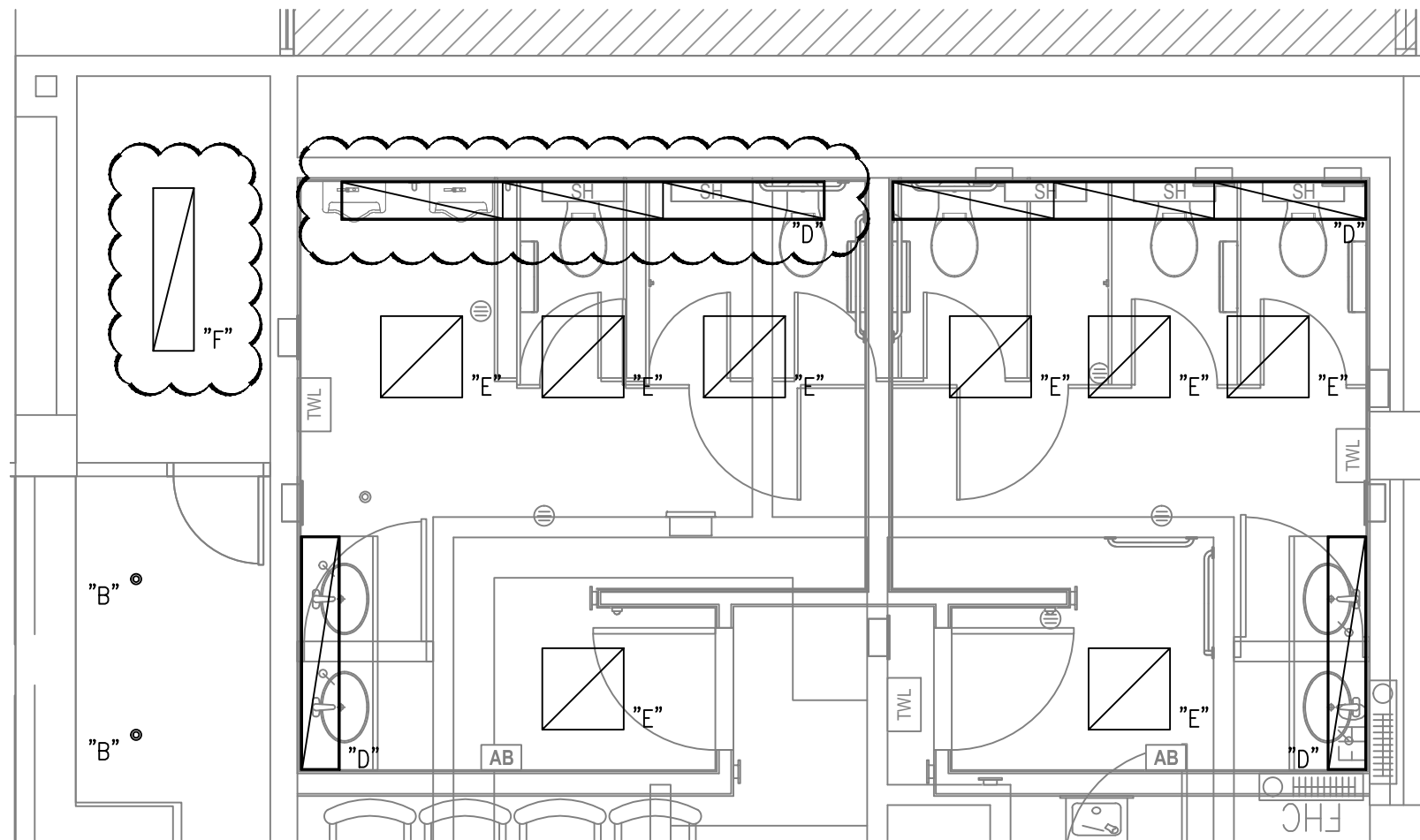
End of Addendum

CLARIFICATIONS POUR LES SYSTÈMES D'ÉCLAIRAGE

1. Voir le croquis attaché SK.E1 pour les modifications aux systèmes d'éclairage dans la salle de toilettes et l'entrepôt.
2. Voir les fiches techniques des luminaires attachés pour le concept de base. Des modèles équivalents seront acceptés.
3. Tous les luminaires rectangulaires doivent avoir des attaches sismiques, soit quatre (4) chaînes installées à des angles de 45° et fixées à la structure du bâtiment. Les luminaires cylindriques encastrés doivent être fixée par une seule chaîne à la structure du bâtiment. Tous les luminaires installés dans la grille en T du plafond suspendu doivent être fixés à la grille tel qu'indiqué dans l'édition la plus récente du Code National Électrique (CNE). L'entrepreneur doit fournir une lettre sismique à la fin des travaux.

Fin de l'Addenda





01	ADDENDUM No.E1	N.S.	02/04/16
No.	REVISIONS	BY	MM/DD/YY



LRJ

ENGINEERING | INGÉNIÉRIE

5430 Canotek Road | Ottawa, ON, K1J 9G2
www.lrl.ca | (613) 842-3434

CLIENT
PWGSC

DESIGNED BY: N.S. DRAWN BY: N.S. APPROVED BY: S.S.

PROJECT
**CFIA OTTAWA
(FALLOWFIELD)
INTERIOR UPGRADE**

DRAWING TITLE
**ADDENDUM No. 01
REVISED LIGHTING LAYOUT**

PROJECT NO.
150683

DATE
FEB. 4, 2015

SK.E1

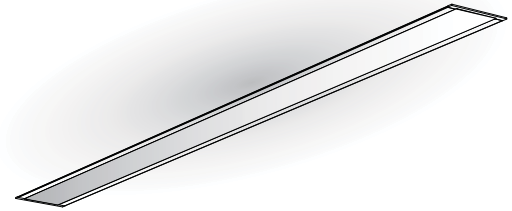
Client _____ Project name _____

Order# _____ Type **A** Qty _____

FEATURES AND BENEFITS

Physical :

- Aluminum extrusion housing, 2" wide
- Available in 1', 2', 3', 4', 5', 6', 7' or 8' sections
- Continuous runs available in 1' increments
- Durable polyester powder coat finish for trim
- Flange, flangeless and spackle flange trim options available
- Easy installation
- Extruded acrylic lens
- Illuminated corners available for custom configurations, consult factory for availability and orders
- Tool-less system for reflector assembly and control gear access
- Suitable for use with drywall ceiling and metal pan ceilings (millwork ceilings)
- Compatible with motion sensors
- CCEA option available
- Dry location only



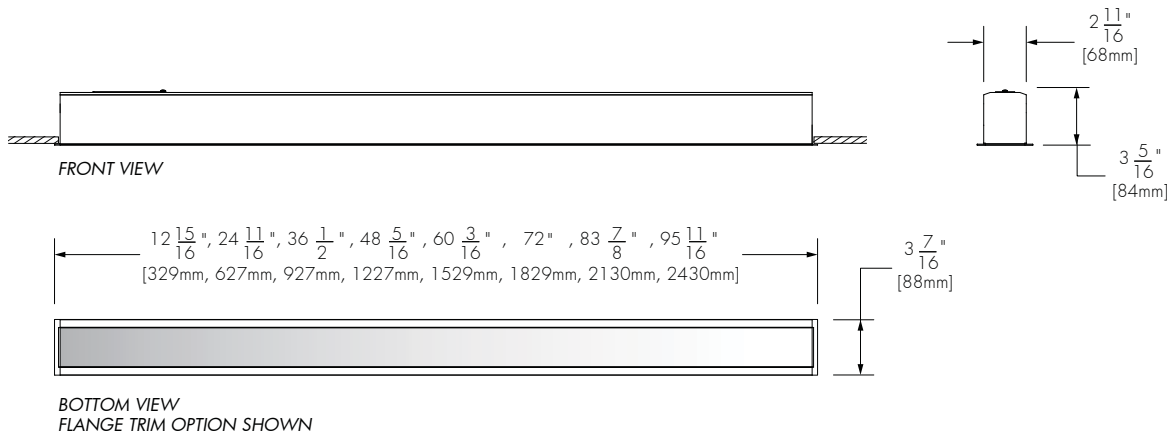
Performance :

- Available in 2700K, 3000K, 3500K, 4000K or RGB color mixing
- 87 lumens per watt (delivered, RO 4000K)
- CRI value: 80+
- Binning within a 3 step MacAdam ellipse
- Lumen maintenance: 100,000 hrs [L70 @ 25° C]
- Lumen measurements comply with LM - 79 - 08 standard
- Resolution per foot or per fixture (configured with LumenID V3 software & RDM)
- Operating temperatures: -25° C to 50° C [-13F to 122F]

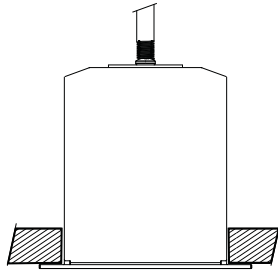
Lumens / 4ft	RO	HO
2700K	1831	3466
3000K	1871	3541
3500K	1910	3615
4000K	1969	3727
RGB	407	N/A

Electrical :

- Line voltage luminaire for 100 to 277V
- 6W/ft Regular Output version
- 12W/ft High Output version
- Dimming options for white light: 0-10 volt, DMX/RDM enabled, DALI, Lumentalk or Lutron® EcoSystem® enabled
- 6W/ft optional RGB source, DMX/RDM enabled
- Quick connectors for continuous runs

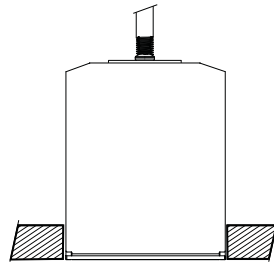


TRIM OPTION



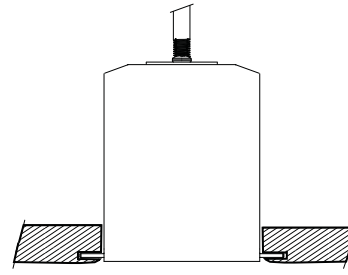
FG

Flange trim option



FGL

Flangeless trim option

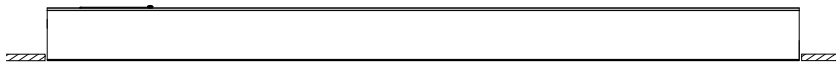


SFG

Spackle Flange trim option

TRIM OPTION DIMENSIONS

Flangeless and Spackle flange trim options



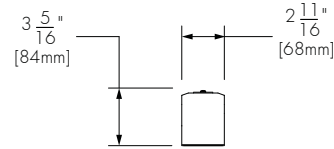
FRONT VIEW

12 $\frac{7}{16}$ " , 23 $\frac{13}{16}$ " , 35 $\frac{5}{8}$ " , 47 $\frac{7}{16}$ " , 59 $\frac{5}{16}$ " , 71 $\frac{1}{8}$ " , 83" , 94 $\frac{13}{16}$ "
[306mm, 605mm, 905mm, 1205mm, 1507mm, 1807mm, 2108mm, 2408mm]

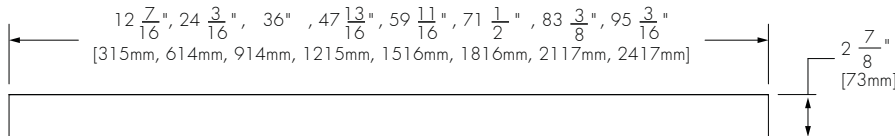


BOTTOM VIEW

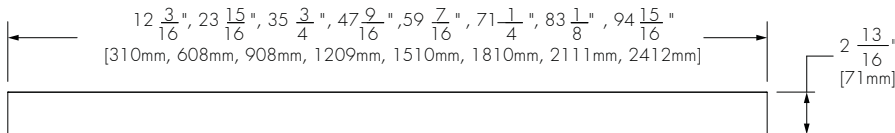
FLANGELESS TRIM OPTION SHOWN
(USE SAME DIMENSIONS FOR SPACKLE FLANGE HOUSING)



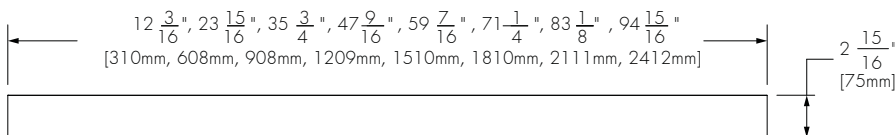
CEILING OR WALL CUTOUT DIMENSIONS



FLANGE CEILING OR WALL CUTOUT DIMENSIONS

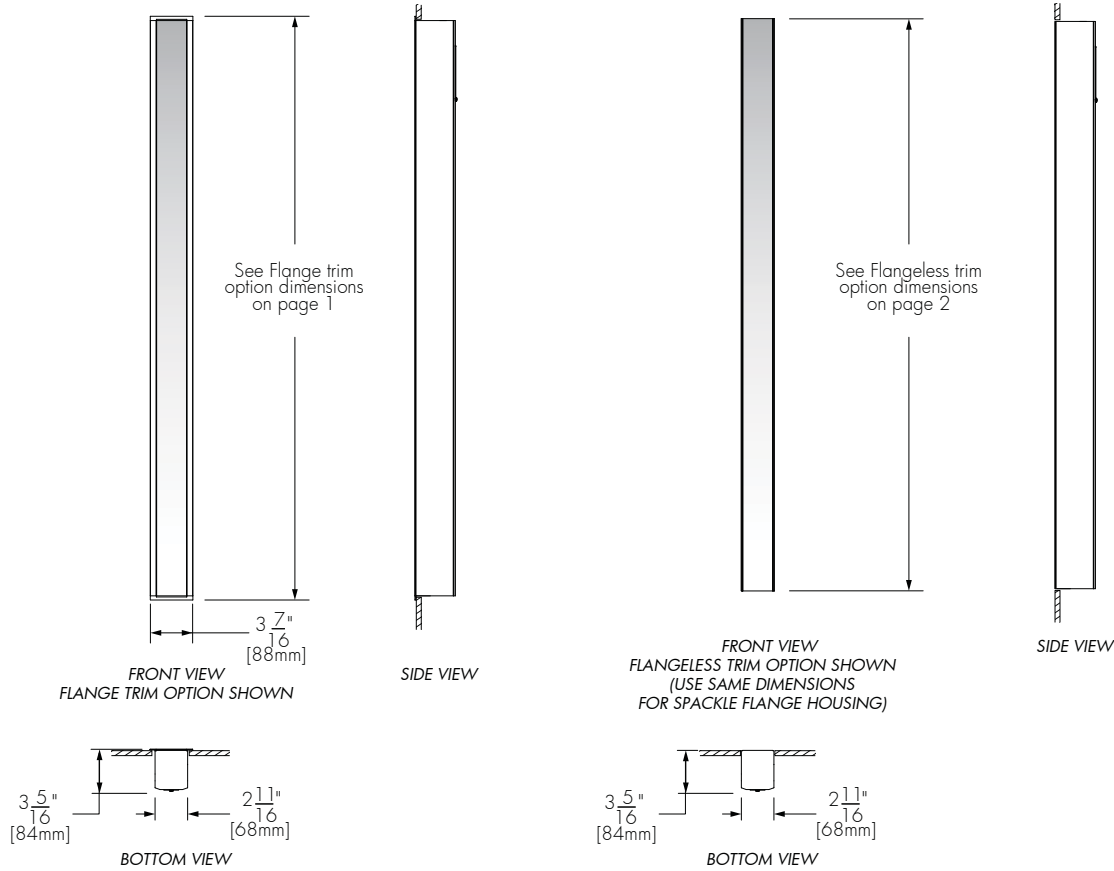


FLANGELESS CEILING OR WALL CUTOUT DIMENSIONS



SPACKLE FLANGE CEILING OR WALL CUTOUT DIMENSIONS

VERTICAL RECESSED MOUNTING OPTION

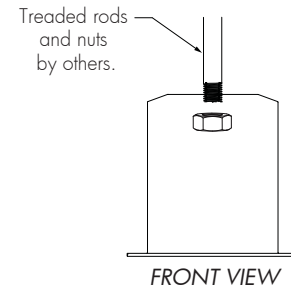
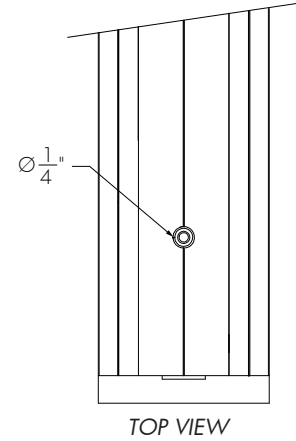
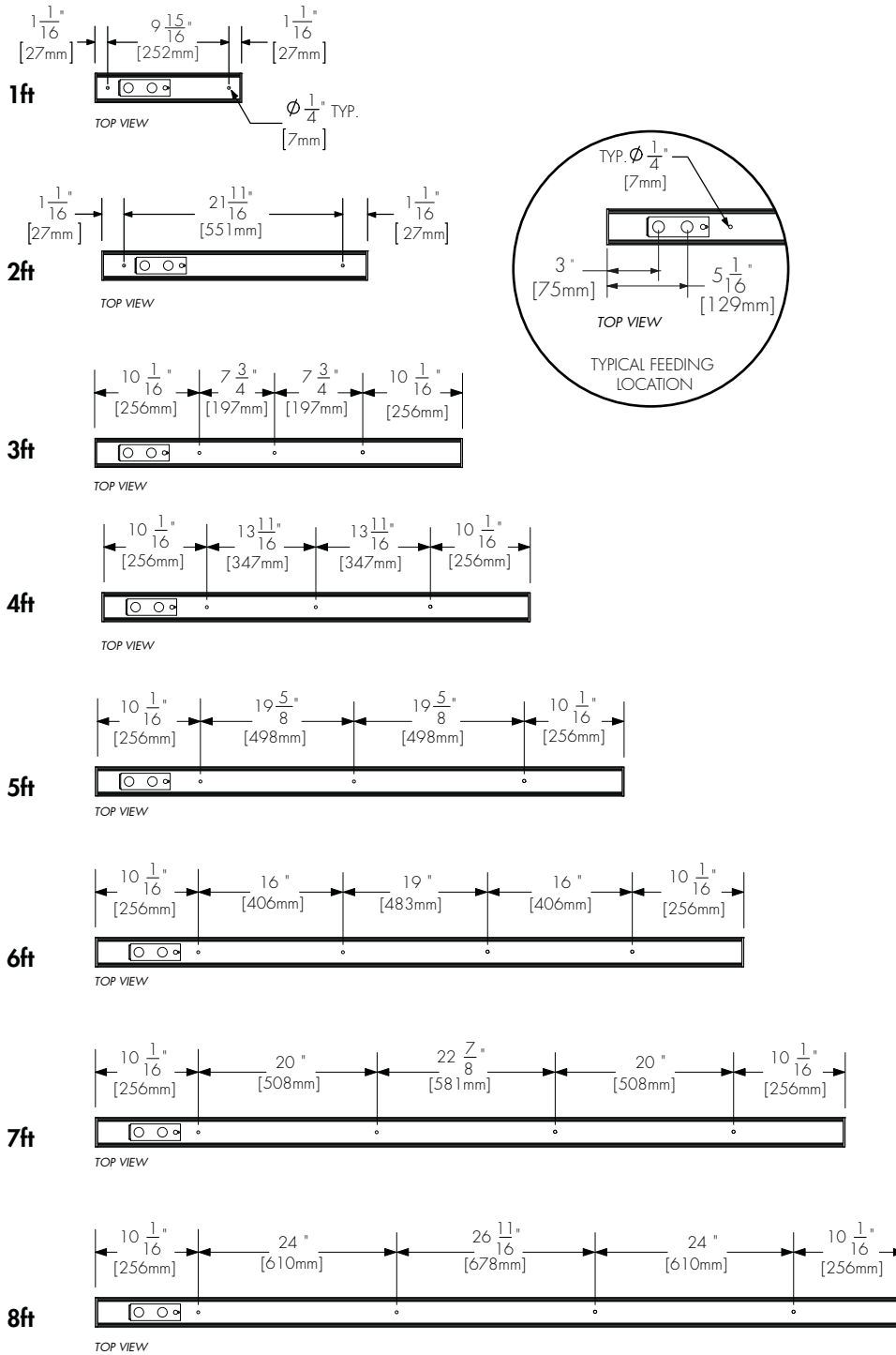


THREADED ROD MOUNTING HOLE PATTERN

Flangeless trim option shown

THREADED ROD MOUNTING DETAIL

Flangeless, spackle flange and flangeless trim options

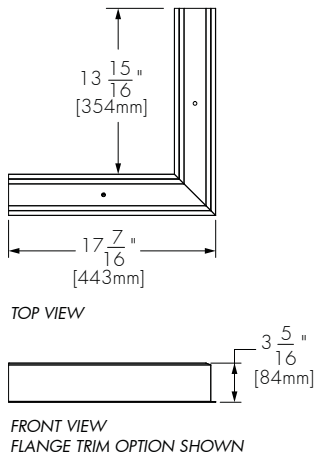


LIT JOINER TYPES AND DIMENSIONS

Refer to the SHAPE ordering page

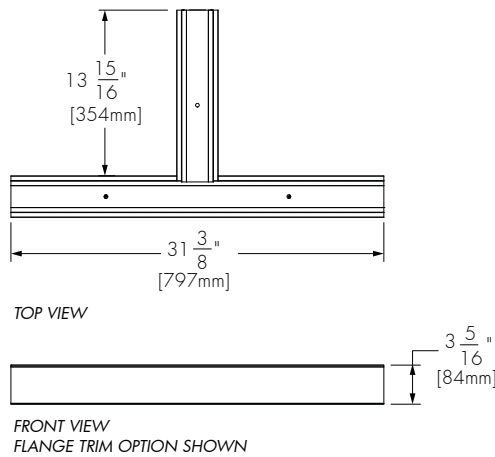
HCNR

Horizontal 90°
Used to build square,
rectangle and "L" shapes
(Equivalent of a 4' fixture)



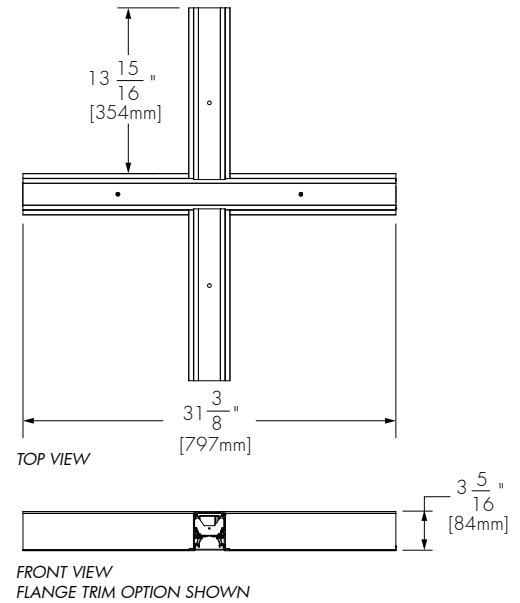
TCNR

Tee 90°
(Equivalent of a 6' fixture)



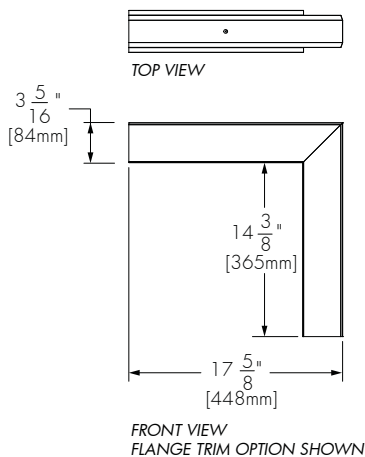
CCNR

Cross 90°
(Equivalent of an 8' fixture)



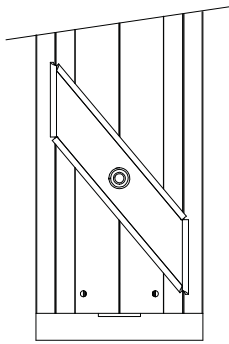
ICNR

Inside 90°
For Ceiling to Wall
Configurations
(Equivalent of a 4' fixture)

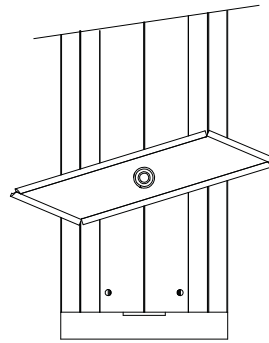


ROTATING CROSSBAR MOUNTING OPTION

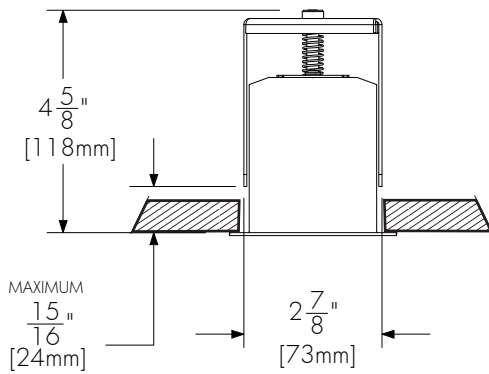
Available with Flange trim option only



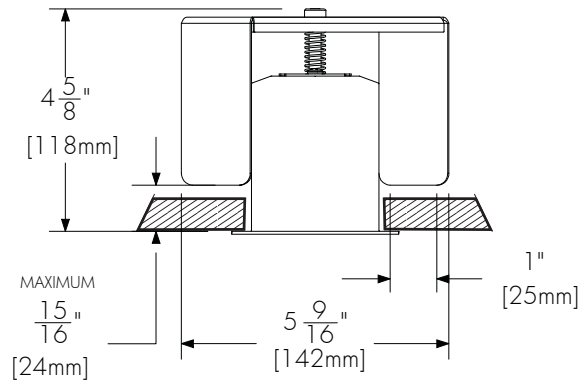
TOP VIEW
ROTATING CROSSBAR CLOSED



TOP VIEW
ROTATING CROSSBAR OPENED



SIDE VIEW
ROTATING CROSSBAR CLOSED



SIDE VIEW
ROTATING CROSSBAR OPENED

ACCESSORIES

Order separately

Control Systems:

- LTO2** Lumentouch is a wall mount DMX 512 controller keypad.
- LCU** Lumencue is a USB / mini SD DMX 512 controller.
- LID** LumenID is a diagnostic and addressing DMX 512 controller. It must be specified on all DMX applications. Refer to LID specification sheet for details.
- LTN** Lumentone is a simple pre-programmed DMX 512 controller with a push button rotary dial and live feedback.

Control Boxes:

- CBX** DMX/RDM control box. Up to six power and data outputs to fixtures or fixture runs. Ethernet enabled option. Refer to CBX specification sheet for details.

RESOLUTION DETAILS

Applicable for DMX/RDM control option only.

Fixture resolution can be configured on-site within the LumenID V3 software.

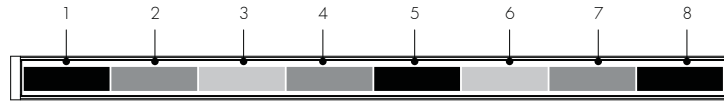
A DMX/RDM enabled CBX is required.

Resolution per foot: each foot is addressed independently

WHITE DIMMING
DMX ADDRESSES:

1ft to 4ft fixtures:
1 DMX address per foot
Always 4x dedicated DMX addresses

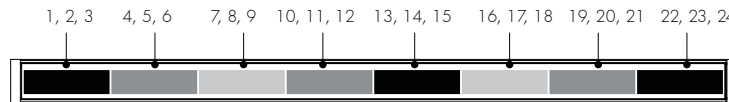
5ft to 8ft fixtures:
1 DMX address per foot
Always 8x dedicated DMX addresses



BOTTOM VIEW, 8FT FIXTURE SHOWN

RGB
DMX ADDRESSES:

1ft to 8ft fixtures: 3 DMX addresses per foot



BOTTOM VIEW, 8FT FIXTURE SHOWN

Resolution per fixture: each reflector is addressed independently

WHITE DIMMING
DMX ADDRESSES:

1ft to 4ft fixtures:
Always 4x dedicated DMX addresses
Address #1 controls entire fixture

5ft to 8ft fixtures:
Always 8x dedicated DMX addresses
Address #1 controls first 4ft section
Address #5 controls last section



BOTTOM VIEW, 8FT FIXTURE SHOWN

RGB
DMX ADDRESSES:

1ft to 4ft fixtures:
3x DMX addresses
Addresses #1-2-3 control entire fixture

5ft to 8ft fixtures:
6x DMX addresses
Addresses #1-2-3 control first 4ft section
Addresses #4-5-6 control last section



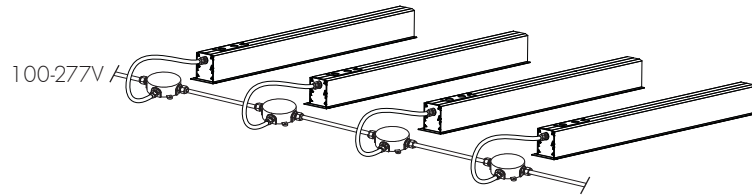
BOTTOM VIEW, 8FT FIXTURE SHOWN

RECESSED
SINGLE UNITS
CONTINUOUS RUNS
SHAPES

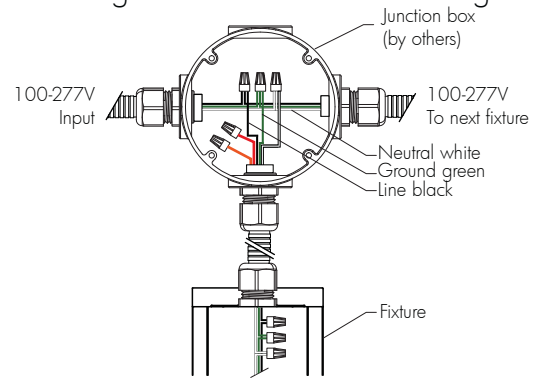
TYPICAL WIRING DIAGRAMS

Non-dimming or Lumentalk control options

Single units, daisy chain configuration
Flange option shown

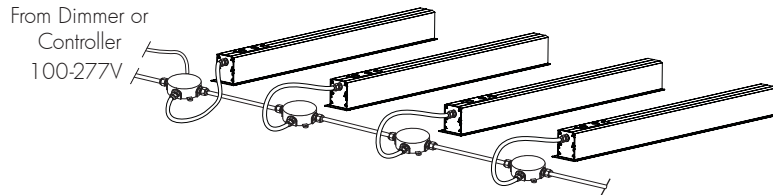


Non-dimming or Lumentalk control wiring detail

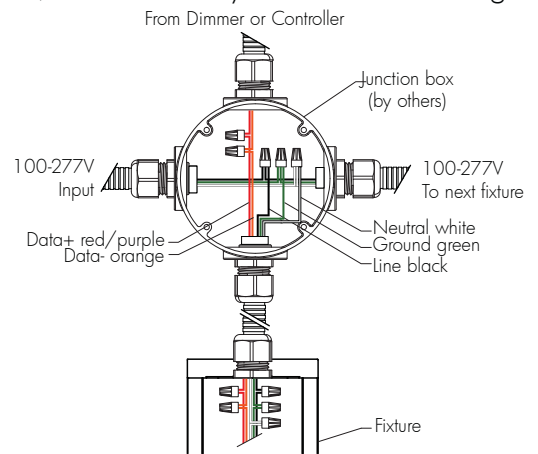


0-10V, DALI or EcoSystem® control options

Single units, daisy chain configuration
Flange option shown



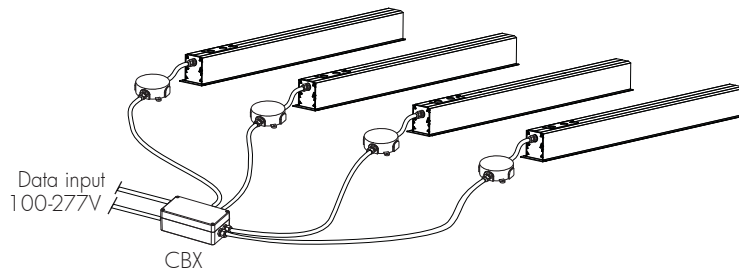
0/10V, DALI or EcoSystem® control wiring detail



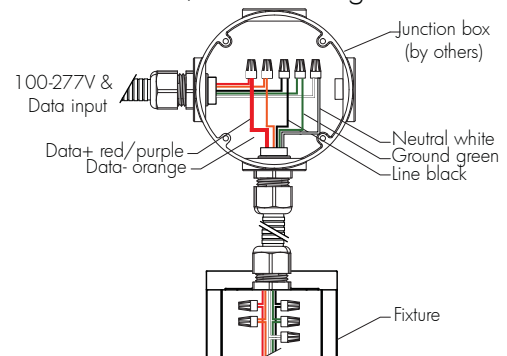
Each Lutron® EcoSystem® enabled fixture has its own address; for the example shown above, there are a total of 4 EcoSystem® addresses.

DMX/RDM control option

Single units, star layout chain configuration
Flange option shown



DMX/RDM wiring detail



For stable DMX/RDM data signal, do not split data wires after CBX.

Maximum run lengths 7A maximum with 10ft fixture cord						
Configuration/Voltage	100V	120V	208V	220V	240V	277V
RO: Regular Output	93ft	116ft	126ft	126ft	126ft	126ft
HO: High Output	46ft	56ft	98ft	104ft	116ft	126ft

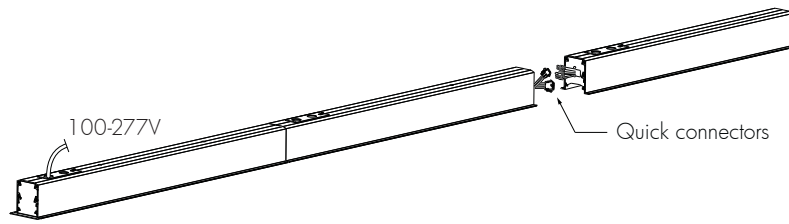
*Maximum run length calculations are typically based on 4ft fixtures.
Consult factory for specific applications.

Wiring detail

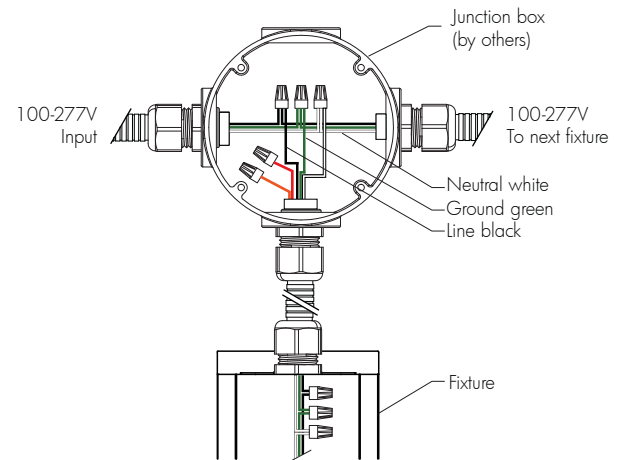
WIRE COLOR / USE	WIRE COLOR / USE
GREEN	GROUND
WHITE	NEUTRAL
BLACK	LINE 100-277V
RED/ PURPLE	DATA +
ORANGE	DATA -

TYPICAL WIRING DIAGRAMS - continued

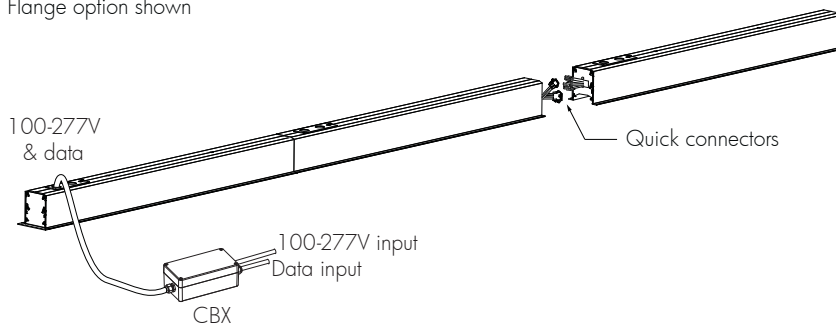
Non-dimming or Lumentalk control options
Continuous run, single feed
Flange option shown



Non-dimming or Lumentalk control wiring detail

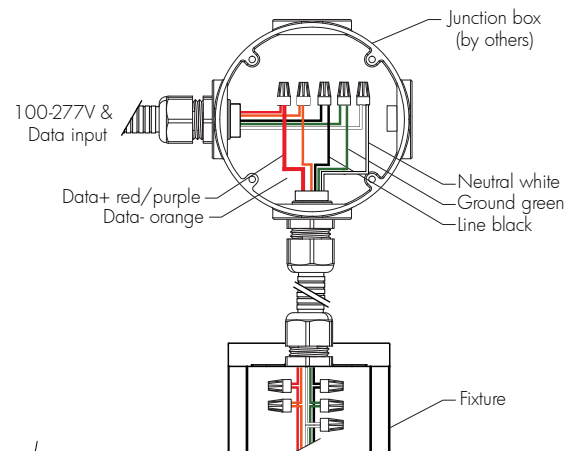


DMX/RDM control option
Continuous run, single feed
Flange option shown

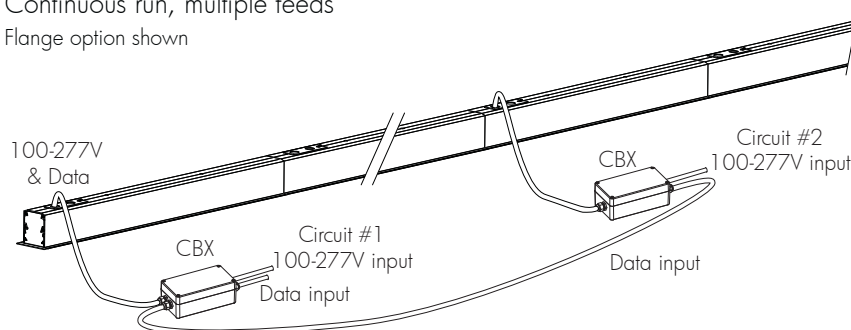


For stable DMX/RDM data signal, do not split data wires after CBX.

DMX/RDM wiring detail



DMX/RDM control option
Continuous run, multiple feeds
Flange option shown



For stable DMX/RDM data signal, do not split data wires after CBX.

HOW TO ORDER - SINGLE UNITS AND CONTINUOUS RUNS



1 Housing:

LLI2R - Lumenline™ Recessed, 2" wide

2 Voltage:

100 - 100 volts	220 - 220 volts
120 - 120 volts	240 - 240 volts
208 - 208 volts	277 - 277 volts

3 Length:

Dimension shown are for flangeless
SU1 - Single Unit 12 1/16" (306mm)
SU2 - Single Unit 23 13/16" (605mm)
SU3 - Single Unit 35 5/8" (905mm)
SU4 - Single Unit 47 7/16" (1205mm)
SU5 - Single Unit 59 5/16" (1507mm)
SU6 - Single Unit 71 1/8" (1807mm)
SU7 - Single Unit 83" (2108mm)
SU8 - Single Unit 94 13/16" (2408mm)
C__ - Continuous run, specify in 1' increments

4 Output & Color temperature:

dRO 27K - 2700K regular output 6W/ft
dRO 30K - 3000K regular output 6W/ft
dRO 35K - 3500K regular output 6W/ft
dRO 40K - 4000K regular output 6W/ft
dHO 27K - 2700K high output 12W/ft
dHO 30K - 3000K high output 12W/ft
dHO 35K - 3500K high output 12W/ft
dHO 40K - 4000K high output 12W/ft
dRO RGB - Tri-color red, green and blue direct lighting 6W/ft¹

5 Control:

NO - On/Off control
LT - Lumentalk²
DIM - 0-10V Dimming option³
DMX/RDM - DMX/RDM enabled⁴
DALI - DALI Dimming option⁵
ES - Lutron® EcoSystem® Enabled Dimming⁶

6 Trim Option:

FG - Flange
FGL - Flangeless
SFG - Spackle Flange

7 Trim Finish:

WH - White
SI - Silver
CC - Custom (please specify RAL color)

8 Option:

CCEA - Chicago plenum rated option
RCB - Rotating Crossbar mounting, available for flange trim option only⁷
VS - Vertical recessed mounting

Notes:

- 1 RGB option requires DMX/RDM control to be specified in Control section.
- 2 Available with white light only, not available for 1' lengths. 1% minimum dimming value.
- 3 10% minimum dimming value.
- 4 1% minimum dimming value. Fixtures come pre-addressed by fixture (consult the Resolution Details page for the number of DMX addresses per fixture length and type).
- 5 1% minimum dimming value.
- 6 Available with white light only, not available for 1' lengths. One EcoSystem® address per fixture length. 1% minimum dimming value.
- 7 1 rotating crossbar included for 1' lengths,
2 rotating crossbars included for 2' to 5' lengths,
3 rotating crossbars included for 6' to 8' lengths.

HOW TO ORDER - SHAPES

LLI2R	Select:	Select:	LJ	Select:	Select:	Select:	Select:	Select:
1	2	3	4	5	6	7	8	9

1 | Housing:

LLI2R - Lumenline™ Recessed, 2" wide

2 | Voltage:

100 - 100 volts	220 - 220 volts
120 - 120 volts	240 - 240 volts
208 - 208 volts	277 - 277 volts

3 | Length:

IMPORTANT: Side length up to 20' as a standard. Consult factory for any other shape requirements.

S__ - Square shape: specify side length (equal sides)
R_x__ - Rectangular shape: specify longer side x shorter side
L__ - "L" shape: specify side length (equal sides)
T__ - "T" shape: specify side length (equal sides)
X__ - Cross shape: specify side length (equal sides)
CW__ - Ceiling to wall: specify side length (equal sides)

4 | Joiner Type:

LJ - Lit joiner, 17 inches nominal side length module

5 | Output & Color temperature:

dRO 27K - 2700K regular output 6W/ft
dRO 30K - 3000K regular output 6W/ft
dRO 35K - 3500K regular output 6W/ft
dRO 40K - 4000K regular output 6W/ft
dHO 27K - 2700K high output 12W/ft
dHO 30K - 3000K high output 12W/ft
dHO 35K - 3500K high output 12W/ft
dHO 40K - 4000K high output 12W/ft
dRO RGB - Tri-color red, green and blue direct lighting 6W/ft¹

6 | Control:

NO - On/Off control
LT - Lumentalk²
DIM - 0-10V Dimming option³
DMX/RDM - DMX/RDM enabled⁴
DALI - DALI Dimming option⁵
ES - Lutron® EcoSystem® Enabled Dimming⁶

7 | Trim Option:

FG - Flange
FGL - Flangeless
SFG - Spackle Flange

8 | Trim Finish:

WH - White
SI - Silver
CC - Custom (please specify RAL color)

9 | Option:

CCEA - Chicago plenum rated option
RCB - Rotating Crossbar mounting, available for flange trim option only⁷

Notes:

- RGB option requires DMX/RDM control to be specified in Control section.
- Available with white light only, not available for 1' lengths. 1% minimum dimming value.
- 10% minimum dimming value.
- 1% minimum dimming value. Fixtures come pre-addressed by fixture (consult the Resolution Details page for the number of DMX addresses per fixture length and type).
- 1% minimum dimming value.
- Available with white light only, not available for 1' lengths. One EcoSystem® address per fixture length. 1% minimum dimming value.
- 1 rotating crossbar included for 1' lengths,
2 rotating crossbars included for 2' to 5' lengths,
3 rotating crossbars included for 6' to 8' lengths.

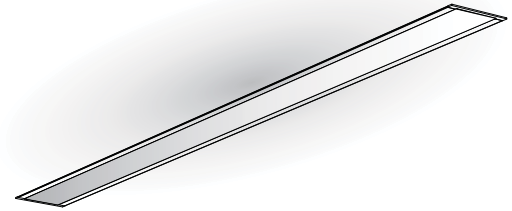
Client _____ Project name _____

Order# _____ Type **A2** Qty _____

FEATURES AND BENEFITS

Physical :

- Aluminum extrusion housing, 2" wide
- Available in 1', 2', 3', 4', 5', 6', 7' or 8' sections
- Continuous runs available in 1' increments
- Durable polyester powder coat finish for trim
- Flange, flangeless and spackle flange trim options available
- Easy installation
- Extruded acrylic lens
- Illuminated corners available for custom configurations, consult factory for availability and orders
- Tool-less system for reflector assembly and control gear access
- Suitable for use with drywall ceiling and metal pan ceilings (millwork ceilings)
- Compatible with motion sensors
- CCEA option available
- Dry location only



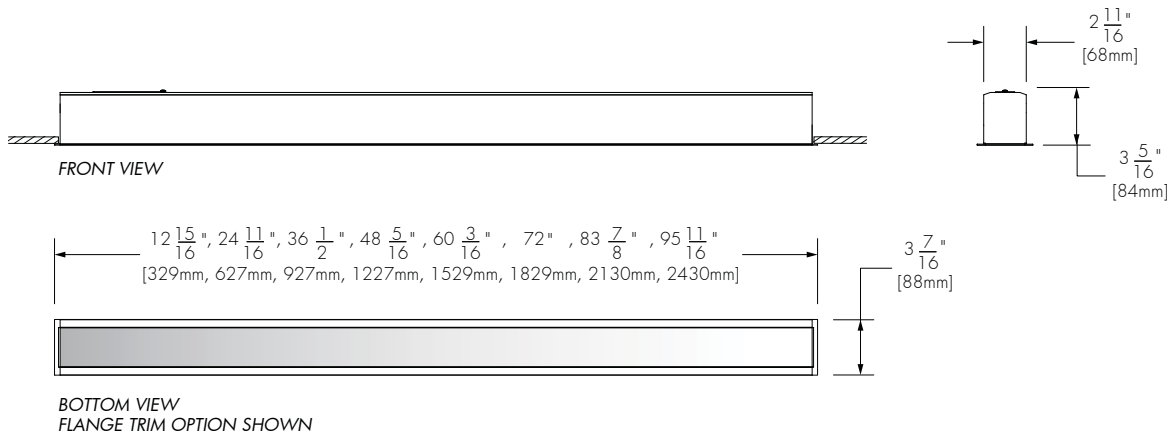
Performance :

- Available in 2700K, 3000K, 3500K, 4000K or RGB color mixing
- 87 lumens per watt (delivered, RO 4000K)
- CRI value: 80+
- Binning within a 3 step MacAdam ellipse
- Lumen maintenance: 100,000 hrs [L70 @ 25° C]
- Lumen measurements comply with LM - 79 - 08 standard
- Resolution per foot or per fixture (configured with LumenID V3 software & RDM)
- Operating temperatures: -25° C to 50° C [-13F to 122F]

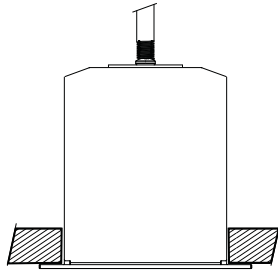
Lumens / 4ft	RO	HO
2700K	1831	3466
3000K	1871	3541
3500K	1910	3615
4000K	1969	3727
RGB	407	N/A

Electrical :

- Line voltage luminaire for 100 to 277V
- 6W/ft Regular Output version
- 12W/ft High Output version
- Dimming options for white light: 0-10 volt, DMX/RDM enabled, DALI, Lumentalk or Lutron® EcoSystem® enabled
- 6W/ft optional RGB source, DMX/RDM enabled
- Quick connectors for continuous runs

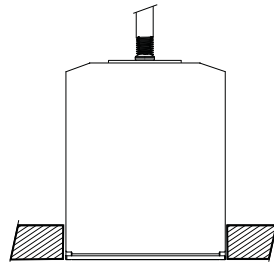


TRIM OPTION



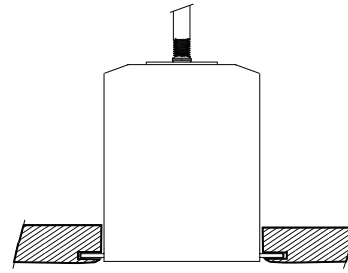
FG

Flange trim option



FGL

Flangeless trim option

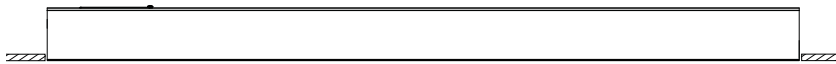


SFG

Spackle Flange trim option

TRIM OPTION DIMENSIONS

Flangeless and Spackle flange trim options



FRONT VIEW

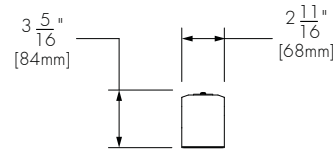
12 $\frac{7}{16}$ " , 23 $\frac{13}{16}$ " , 35 $\frac{5}{8}$ " , 47 $\frac{7}{16}$ " , 59 $\frac{5}{16}$ " , 71 $\frac{1}{8}$ " , 83" , 94 $\frac{13}{16}$ "
[306mm, 605mm, 905mm, 1205mm, 1507mm, 1807mm, 2108mm, 2408mm]



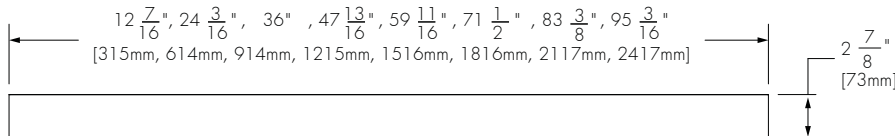
BOTTOM VIEW

FLANGELESS TRIM OPTION SHOWN

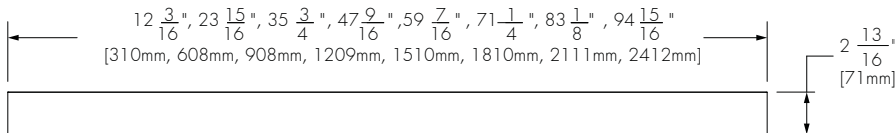
(USE SAME DIMENSIONS FOR SPACKLE FLANGE HOUSING)



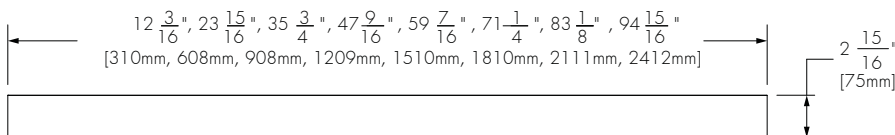
CEILING OR WALL CUTOUT DIMENSIONS



FLANGE CEILING OR WALL CUTOUT DIMENSIONS

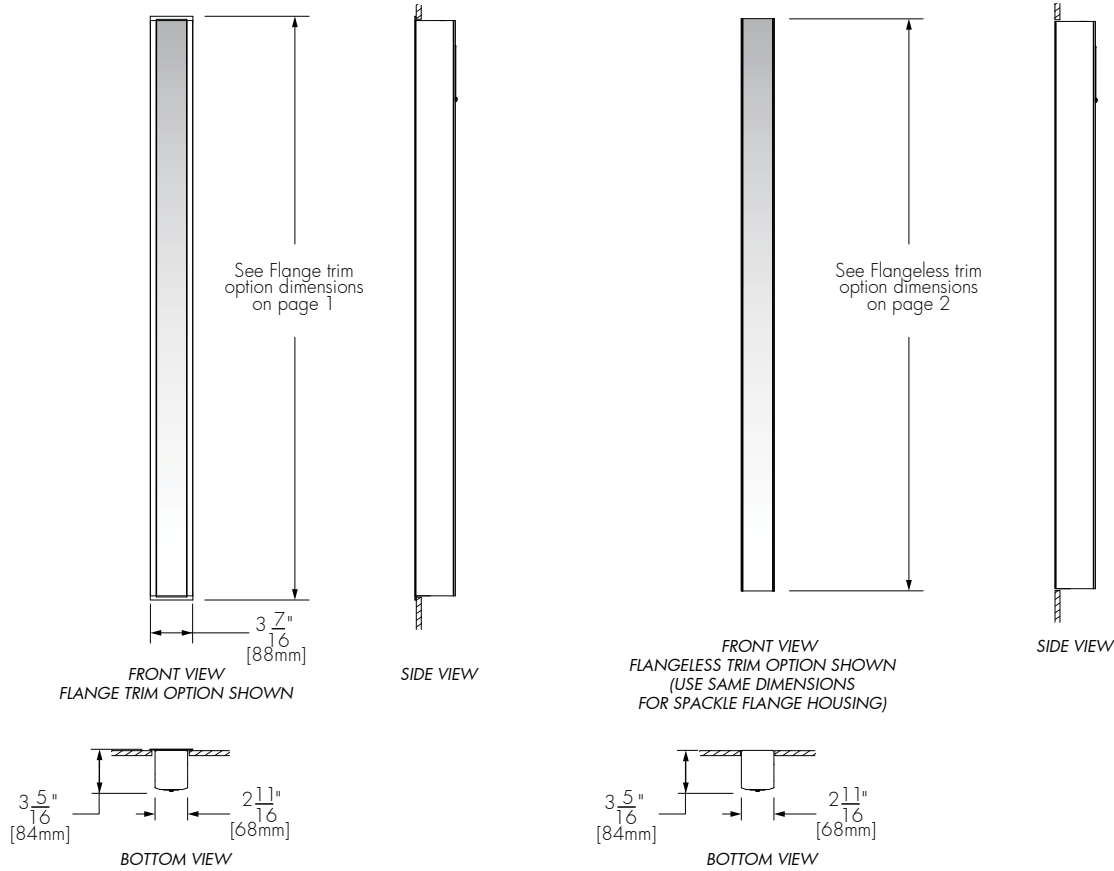


FLANGELESS CEILING OR WALL CUTOUT DIMENSIONS



SPACKLE FLANGE CEILING OR WALL CUTOUT DIMENSIONS

VERTICAL RECESSED MOUNTING OPTION

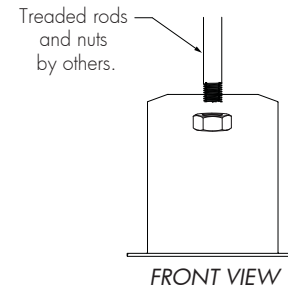
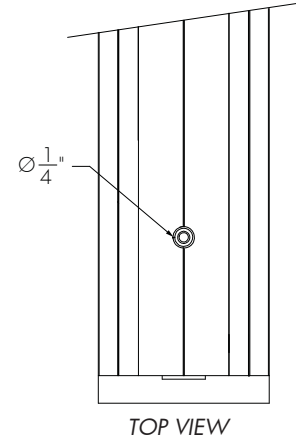
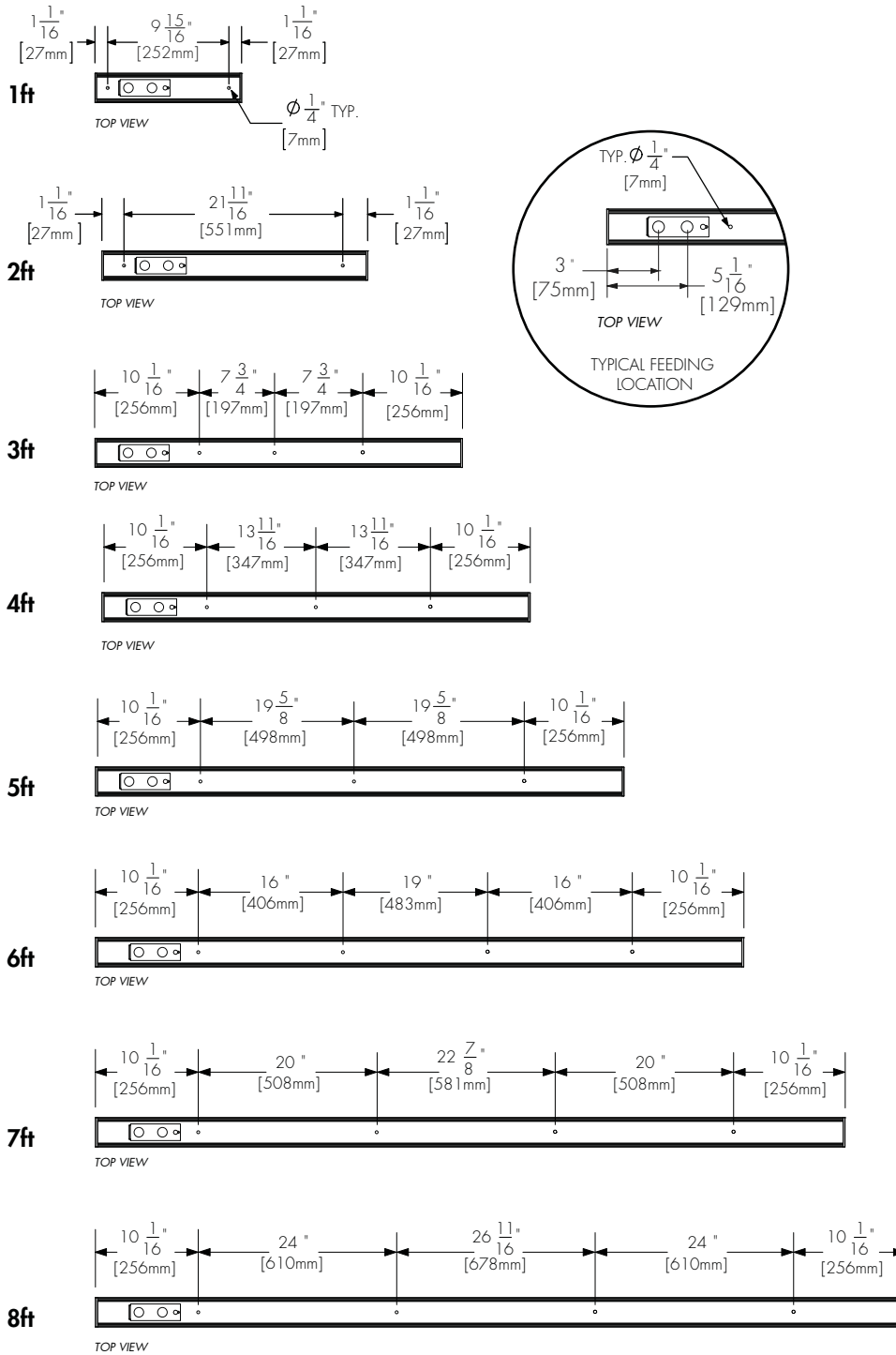


THREADED ROD MOUNTING HOLE PATTERN

Flangeless trim option shown

THREADED ROD MOUNTING DETAIL

Flangeless, spackle flange and flangeless trim options

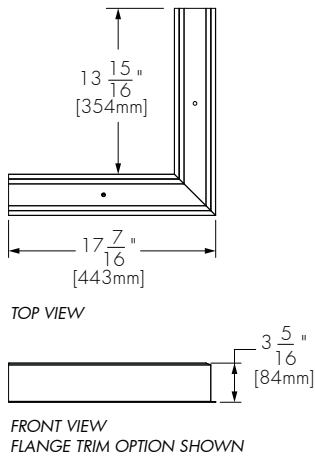


LIT JOINER TYPES AND DIMENSIONS

Refer to the SHAPE ordering page

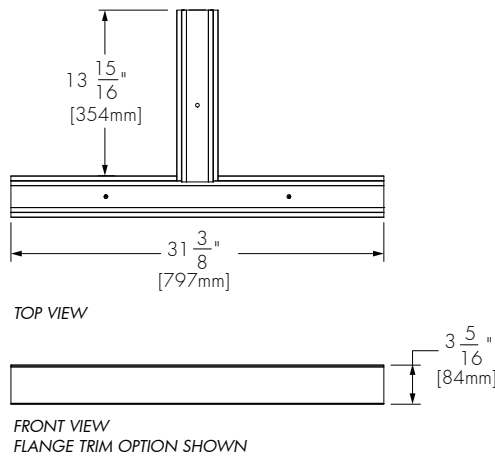
HCNR

Horizontal 90°
Used to build square,
rectangle and "L" shapes
(Equivalent of a 4' fixture)



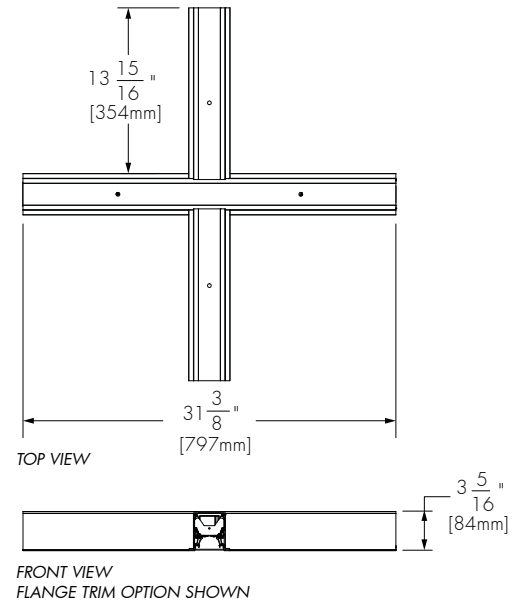
TCNR

Tee 90°
(Equivalent of a 6' fixture)



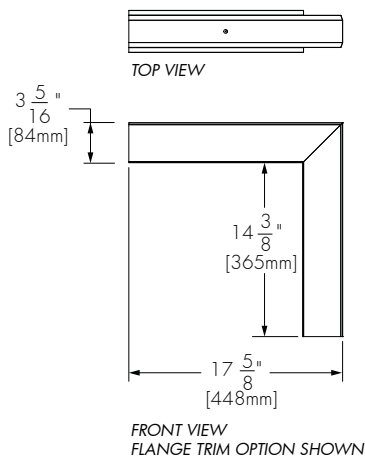
CCNR

Cross 90°
(Equivalent of an 8' fixture)



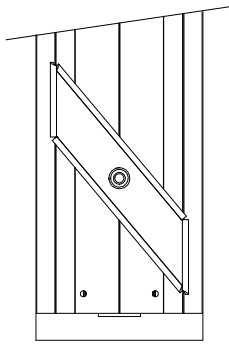
ICNR

Inside 90°
For Ceiling to Wall
Configurations
(Equivalent of a 4' fixture)

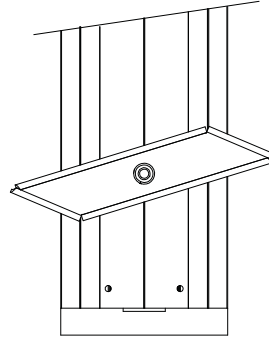


ROTATING CROSSBAR MOUNTING OPTION

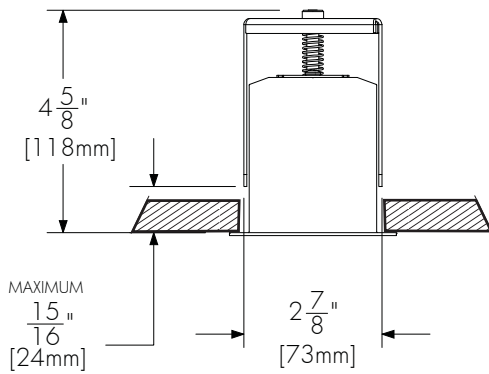
Available with Flange trim option only



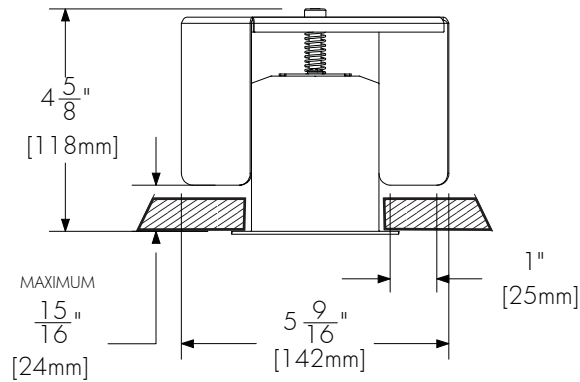
TOP VIEW
ROTATING CROSSBAR CLOSED



TOP VIEW
ROTATING CROSSBAR OPENED



SIDE VIEW
ROTATING CROSSBAR CLOSED



SIDE VIEW
ROTATING CROSSBAR OPENED

ACCESSORIES

Order separately

Control Systems:

- LTO2** Lumentouch is a wall mount DMX 512 controller keypad.
- LCU** Lumencue is a USB / mini SD DMX 512 controller.
- LID** LumenID is a diagnostic and addressing DMX 512 controller. It must be specified on all DMX applications. Refer to LID specification sheet for details.
- LTN** Lumentone is a simple pre-programmed DMX 512 controller with a push button rotary dial and live feedback.

Control Boxes:

- CBX** DMX/RDM control box. Up to six power and data outputs to fixtures or fixture runs. Ethernet enabled option. Refer to CBX specification sheet for details.

RESOLUTION DETAILS

Applicable for DMX/RDM control option only.

Fixture resolution can be configured on-site within the LumenID V3 software.

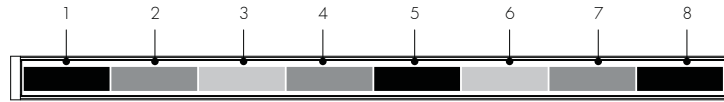
A DMX/RDM enabled CBX is required.

Resolution per foot: each foot is addressed independently

WHITE DIMMING
DMX ADDRESSES:

1ft to 4ft fixtures:
1 DMX address per foot
Always 4x dedicated DMX addresses

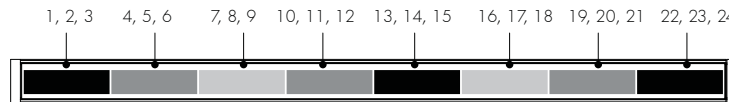
5ft to 8ft fixtures:
1 DMX address per foot
Always 8x dedicated DMX addresses



BOTTOM VIEW, 8FT FIXTURE SHOWN

RGB
DMX ADDRESSES:

1ft to 8ft fixtures: 3 DMX addresses per foot



BOTTOM VIEW, 8FT FIXTURE SHOWN

Resolution per fixture: each reflector is addressed independently

WHITE DIMMING
DMX ADDRESSES:

1ft to 4ft fixtures:
Always 4x dedicated DMX addresses
Address #1 controls entire fixture

5ft to 8ft fixtures:
Always 8x dedicated DMX addresses
Address #1 controls first 4ft section
Address #5 controls last section



BOTTOM VIEW, 8FT FIXTURE SHOWN

RGB
DMX ADDRESSES:

1ft to 4ft fixtures:
3x DMX addresses
Addresses #1-2-3 control entire fixture

5ft to 8ft fixtures:
6x DMX addresses
Addresses #1-2-3 control first 4ft section
Addresses #4-5-6 control last section



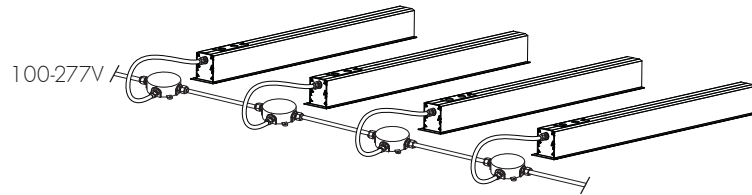
BOTTOM VIEW, 8FT FIXTURE SHOWN

RECESSED
SINGLE UNITS
CONTINUOUS RUNS
SHAPES

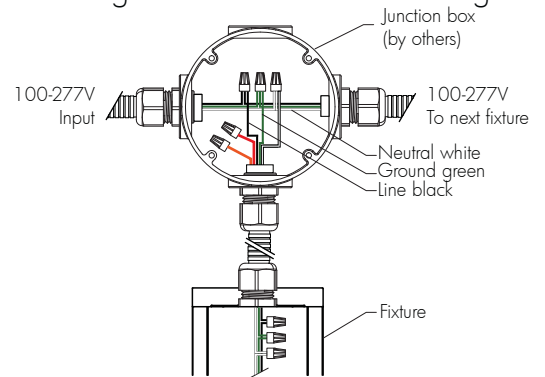
TYPICAL WIRING DIAGRAMS

Non-dimming or Lumentalk control options

Single units, daisy chain configuration
Flange option shown

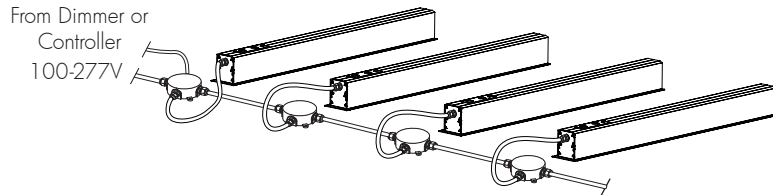


Non-dimming or Lumentalk control wiring detail

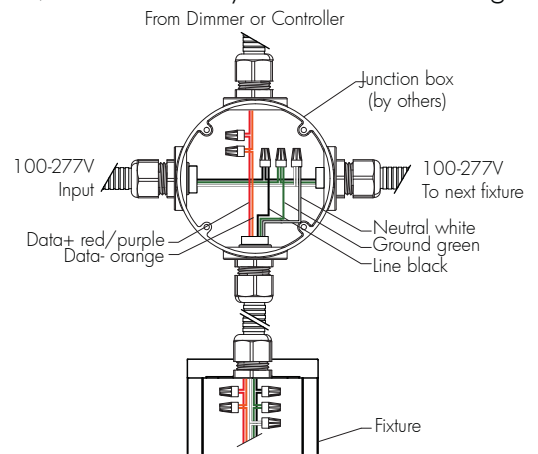


0-10V, DALI or EcoSystem® control options

Single units, daisy chain configuration
Flange option shown



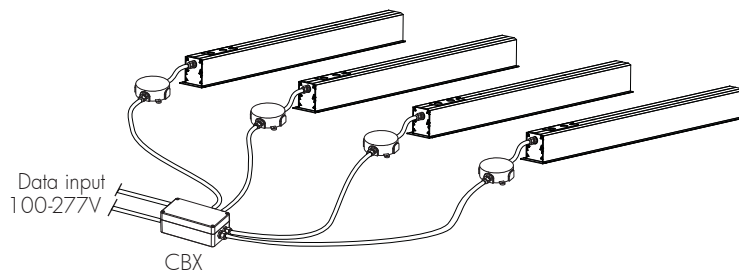
0/10V, DALI or EcoSystem® control wiring detail



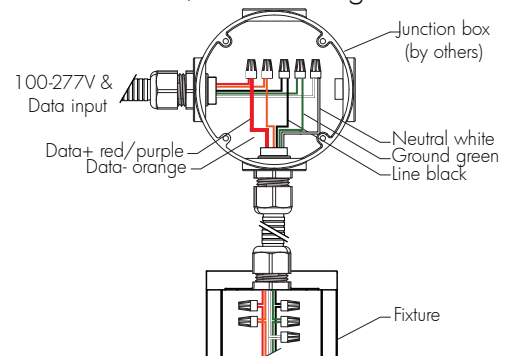
Each Lutron® EcoSystem® enabled fixture has its own address; for the example shown above, there are a total of 4 EcoSystem® addresses.

DMX/RDM control option

Single units, star layout chain configuration
Flange option shown



DMX/RDM wiring detail



For stable DMX/RDM data signal, do not split data wires after CBX.

Maximum run lengths 7A maximum with 10ft fixture cord						
Configuration/Voltage	100V	120V	208V	220V	240V	277V
RO: Regular Output	93ft	116ft	126ft	126ft	126ft	126ft
HO: High Output	46ft	56ft	98ft	104ft	116ft	126ft

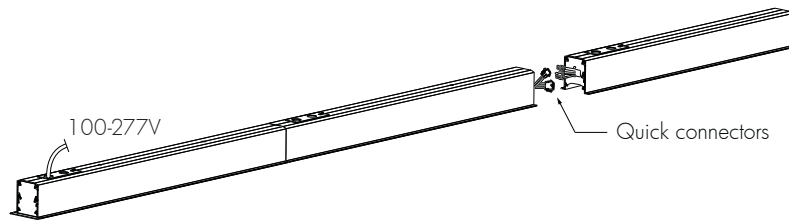
*Maximum run length calculations are typically based on 4ft fixtures.
Consult factory for specific applications.

Wiring detail

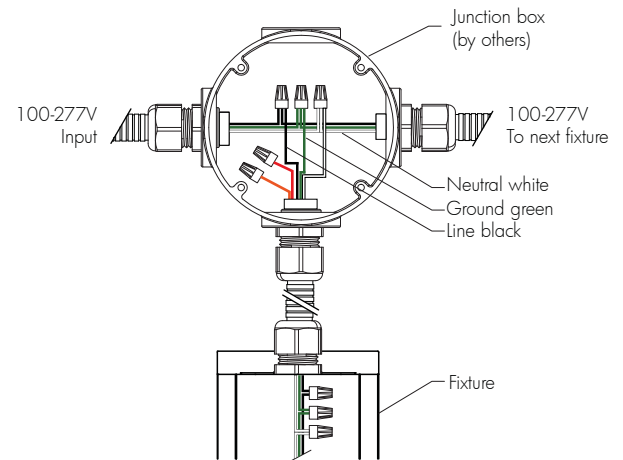
WIRE COLOR / USE	WIRE COLOR / USE
GREEN	GROUND
WHITE	NEUTRAL
BLACK	LINE 100-277V
RED/ PURPLE	DATA +
ORANGE	DATA -

TYPICAL WIRING DIAGRAMS - continued

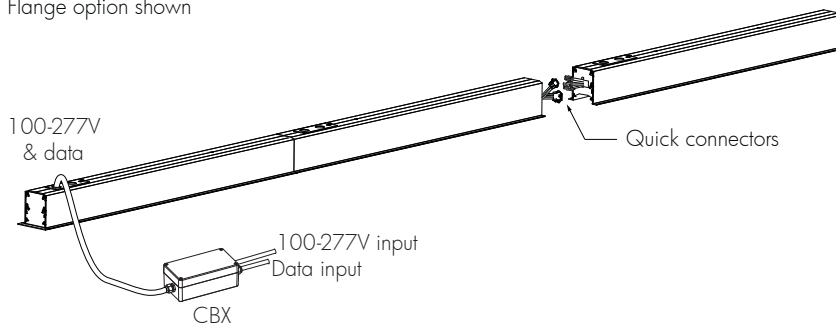
Non-dimming or Lumentalk control options
Continuous run, single feed
Flange option shown



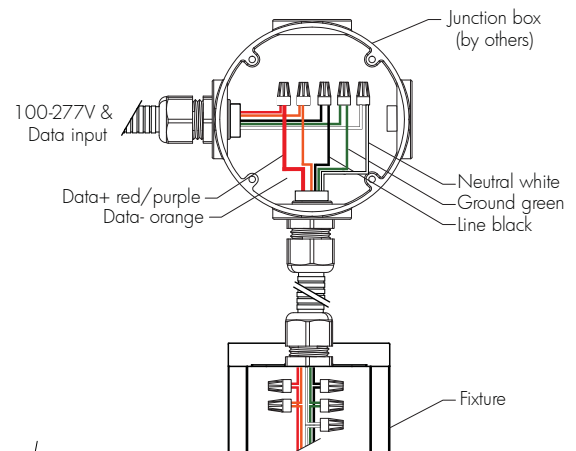
Non-dimming or Lumentalk control wiring detail



DMX/RDM control option
Continuous run, single feed
Flange option shown

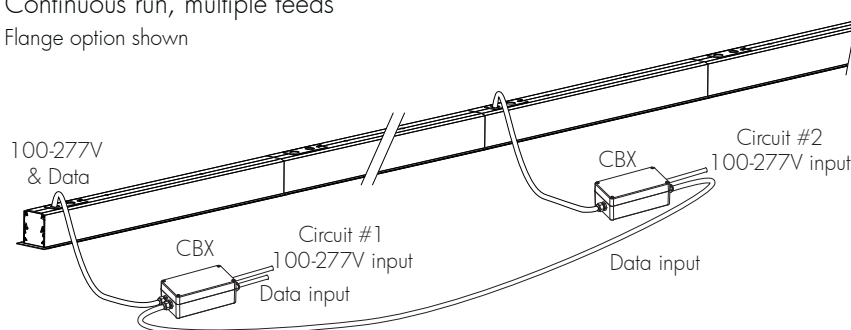


DMX/RDM wiring detail



For stable DMX/RDM data signal, do not split data wires after CBX.

DMX/RDM control option
Continuous run, multiple feeds
Flange option shown



For stable DMX/RDM data signal, do not split data wires after CBX.

HOW TO ORDER - SINGLE UNITS AND CONTINUOUS RUNS



1 Housing:

LLI2R - Lumenline™ Recessed, 2" wide

2 Voltage:

100 - 100 volts	220 - 220 volts
120 - 120 volts	240 - 240 volts
208 - 208 volts	277 - 277 volts

3 Length:

Dimension shown are for flangeless
SU1 - Single Unit 12 1/16" (306mm)
SU2 - Single Unit 23 13/16" (605mm)
SU3 - Single Unit 35 5/8" (905mm)
SU4 - Single Unit 47 7/16" (1205mm)
SU5 - Single Unit 59 5/16" (1507mm)
SU6 - Single Unit 71 1/8" (1807mm)
SU7 - Single Unit 83" (2108mm)
SU8 - Single Unit 94 13/16" (2408mm)
C__ - Continuous run, specify in 1' increments

4 Output & Color temperature:

dRO 27K - 2700K regular output 6W/ft
dRO 30K - 3000K regular output 6W/ft
dRO 35K - 3500K regular output 6W/ft
dRO 40K - 4000K regular output 6W/ft
dHO 27K - 2700K high output 12W/ft
dHO 30K - 3000K high output 12W/ft
dHO 35K - 3500K high output 12W/ft
dHO 40K - 4000K high output 12W/ft
dRO RGB - Tri-color red, green and blue direct lighting 6W/ft¹

5 Control:

NO - On/Off control
LT - Lumentalk²
DIM - 0-10V Dimming option³
DMX/RDM - DMX/RDM enabled⁴
DALI - DALI Dimming option⁵
ES - Lutron® EcoSystem® Enabled Dimming⁶

6 Trim Option:

FG - Flange
FGL - Flangeless
SFG - Spackle Flange

7 Trim Finish:

WH - White
SI - Silver
CC - Custom (please specify RAL color)

8 Option:

CCEA - Chicago plenum rated option
RCB - Rotating Crossbar mounting, available for flange trim option only⁷
VS - Vertical recessed mounting

Notes:

- 1 RGB option requires DMX/RDM control to be specified in Control section.
- 2 Available with white light only, not available for 1' lengths. 1% minimum dimming value.
- 3 10% minimum dimming value.
- 4 1% minimum dimming value. Fixtures come pre-addressed by fixture (consult the Resolution Details page for the number of DMX addresses per fixture length and type).
- 5 1% minimum dimming value.
- 6 Available with white light only, not available for 1' lengths. One EcoSystem® address per fixture length. 1% minimum dimming value.
- 7 1 rotating crossbar included for 1' lengths,
2 rotating crossbars included for 2' to 5' lengths,
3 rotating crossbars included for 6' to 8' lengths.

HOW TO ORDER - SHAPES

LLI2R	Select:	Select:	LJ	Select:	Select:	Select:	Select:	Select:
1	2	3	4	5	6	7	8	9

1 | Housing:

LLI2R - Lumenline™ Recessed, 2" wide

2 | Voltage:

100 - 100 volts	220 - 220 volts
120 - 120 volts	240 - 240 volts
208 - 208 volts	277 - 277 volts

3 | Length:

IMPORTANT: Side length up to 20' as a standard. Consult factory for any other shape requirements.

S__ - Square shape: specify side length (equal sides)
R_x__ - Rectangular shape: specify longer side x shorter side
L__ - "L" shape: specify side length (equal sides)
T__ - "T" shape: specify side length (equal sides)
X__ - Cross shape: specify side length (equal sides)
CW__ - Ceiling to wall: specify side length (equal sides)

4 | Joiner Type:

LJ - Lit joiner, 17 inches nominal side length module

5 | Output & Color temperature:

dRO 27K - 2700K regular output 6W/ft
dRO 30K - 3000K regular output 6W/ft
dRO 35K - 3500K regular output 6W/ft
dRO 40K - 4000K regular output 6W/ft
dHO 27K - 2700K high output 12W/ft
dHO 30K - 3000K high output 12W/ft
dHO 35K - 3500K high output 12W/ft
dHO 40K - 4000K high output 12W/ft
dRO RGB - Tri-color red, green and blue direct lighting 6W/ft¹

6 | Control:

NO - On/Off control
LT - Lumentalk²
DIM - 0-10V Dimming option³
DMX/RDM - DMX/RDM enabled⁴
DALI - DALI Dimming option⁵
ES - Lutron® EcoSystem® Enabled Dimming⁶

7 | Trim Option:

FG - Flange
FGL - Flangeless
SFG - Spackle Flange

8 | Trim Finish:

WH - White
SI - Silver
CC - Custom (please specify RAL color)

9 | Option:

CCEA - Chicago plenum rated option
RCB - Rotating Crossbar mounting, available for flange trim option only⁷

Notes:

- RGB option requires DMX/RDM control to be specified in Control section.
- Available with white light only, not available for 1' lengths. 1% minimum dimming value.
- 10% minimum dimming value.
- 1% minimum dimming value. Fixtures come pre-addressed by fixture (consult the Resolution Details page for the number of DMX addresses per fixture length and type).
- 1% minimum dimming value.
- Available with white light only, not available for 1' lengths. One EcoSystem® address per fixture length. 1% minimum dimming value.
- 1 rotating crossbar included for 1' lengths,
2 rotating crossbars included for 2' to 5' lengths,
3 rotating crossbars included for 6' to 8' lengths.

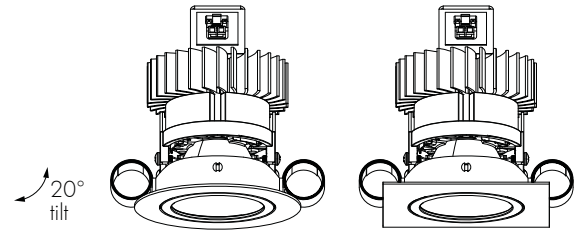
Client _____ Project name _____

Order# _____ Type **B** Qty _____

FEATURES AND BENEFITS

Physical

- Housing material: aluminum housing
- Reflector material: metallized polycarbonate
- Lens material for wet option: glass
- Trim finish: white or nickel satin
- Adjustability: +/- 20° tilt (not available for WET option)
- Damp location rating (interior applications only)
- Option: WET (IP54 rating suitable for wet locations, under covered ceiling)



Performance

- Nominal lumen outputs: 700, 1000, 1300 and 2000 lumens
- Optics: 40° or 70°
- CRI values: 80+, 95+, Radiant 80+ or Radiant 95+
- Lumen maintenance: L70 @ 90,000 hrs [25°C]
- Operating temperatures: -20° C to 40° C (-4F to 104F)



Electrical

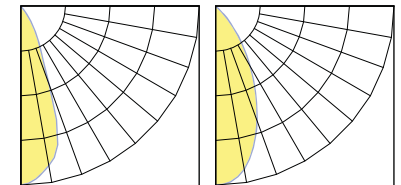
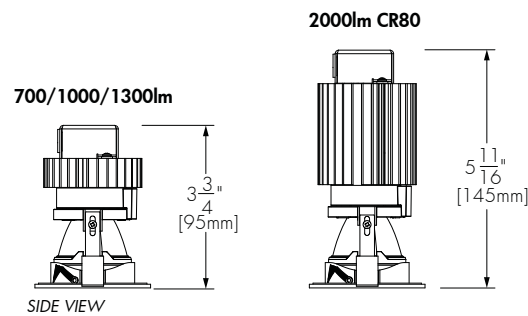
- Input voltage: 120 or 277V, consult factory for 347V
- Control options: non-dimming, 0-10 volt or DALI dimming

Performance summary

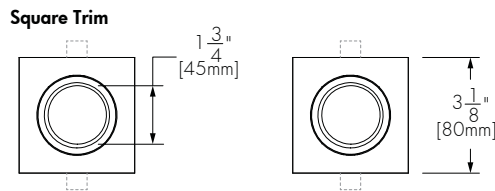
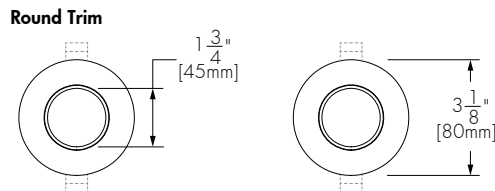
Based on Medium (40°), 4000K, CRI 80+
insulated ceiling non-insulated ceiling

Nominal output [lm]	Delivered output [lm]	Power [W]	Efficacy [lm/W]	Power [W]	Efficacy [lm/W]
700*	728	7	104	9	80
1000	1040	10	104	12	86
1300	1352	14	96	16	84
2000	2080	N/A	N/A	25	83

*Photometric performance is measured in compliance with IESNA LM-79-08.



Medium (40°) Wide (70°)

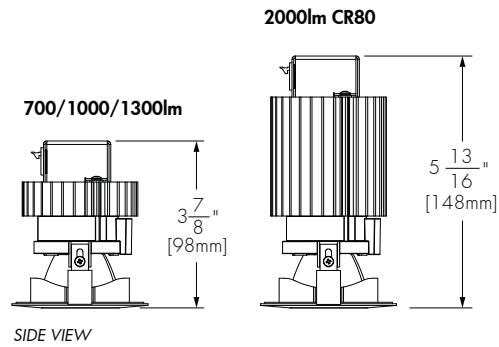


BOTTOM VIEW

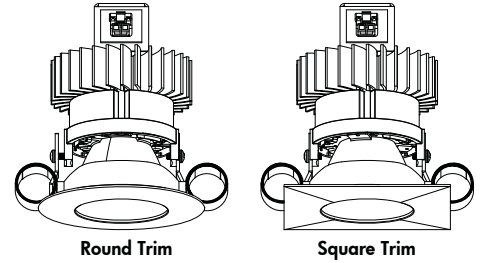
Cutout: Ø 2 7/8" [73mm]
Maximum ceiling thickness: 1 1/2" [38mm]

WET OPTION

IP54 rating suitable for wet location.
Suitable for covered ceiling-mounted recessed only.



Cutout: Ø 2 7/8 " [73mm]
Maximum ceiling thickness: 1 1/2" [38mm]



PHOTOMETRIC INFORMATION

Medium (40°), all color temperatures

Non-insulated ceiling installation types (RM and NC)¹

	Power		Delivered output [lm] [†]	Candlepower distribution	Illuminance cone
	Nominal output [lm]	[W] [†]			
	CR80	CR95			
700*	9	11	728		
1000	12	15	1040		
1300	16	20	1352		
2000	25	N/A	2080		

Wide (70°), all color temperatures

Non-insulated ceiling installation types (RM and NC)¹

	Power		Delivered output [lm] [†]	Candlepower distribution	Illuminance cone
	Nominal output [lm]	[W] [†]			
	CR80	CR95			
700*	9	11	696		
1000	12	15	994		
1300	16	20	1293		
2000	25	N/A	1989		

¹Remove 2 watts per fixture when specifying new construction insulated ceiling installation types (IC and CP).

*Photometric performance is measured in compliance with IESNA LM-79-08.

[†]Delivered wattage and delivered output: +/- 10% tolerance.

PHOTOMETRIC INFORMATION - continued

Color Rendering options comparison, 3000K

Color sample	Ra	R1	R2	R3	R4	R5	R6	R7	R8	R9	R10	R11	R12	R13	R14	R15
CRI 80+	81	80	85	89	81	78	80	86	66	16	64	79	58	81	93	75
CRI 95+	98	98	99	98	98	98	97	98	98	96	99	98	88	98	98	98
Radiant CRI 80+	81	81	86	89	81	80	80	85	68	16	66	80	62	82	93	77
Radiant CRI 95+	95	99	98	97	96	98	96	95	94	90	97	95	97	98	98	98

CONTROL OPTIONS

Dimming down to 1%

0-10V dimming

DA1 - 0-10V dimming, 1% linear

DA2 - 0-10V dimming, 1% logarithmic

Dimming down to 0.1%

DALI dimming

DALI1 - DALI dimming, 0.1% linear

DALI2 - DALI dimming, 0.1% logarithmic

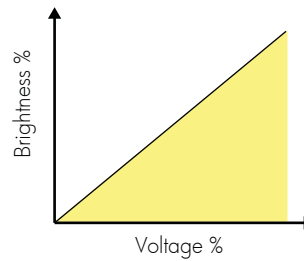
Professional dimming down to 0.1%

0-10V dimming

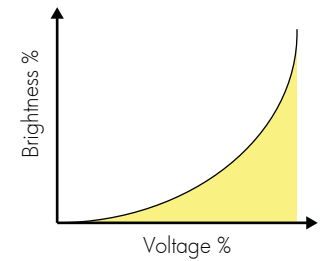
PDA1 - Professional 0-10V dimming, 0.1% linear

PDA2 - Professional 0-10V dimming, 0.1% logarithmic

Linear Curve

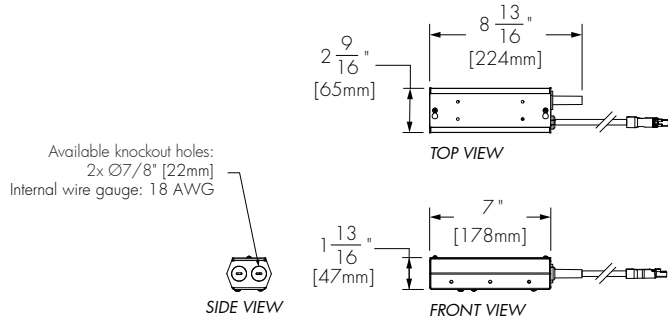


Logarithmic curve

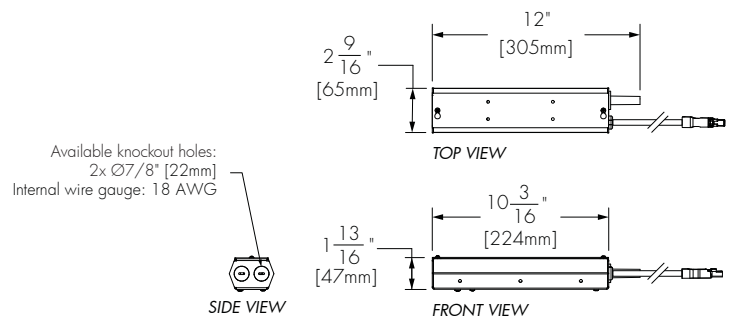


INSTALLATION TYPES

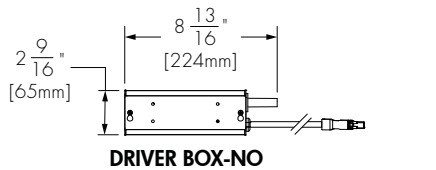
Minimum Ceiling Height Requirements				
	Up to 1000lm (CRI 80)	1300lm (CRI 80) 1000lm (CRI 95)	2000lm	3000lm
Remodel (RM)	On/Off = 8" Dimming = 10"	On/Off = 8" Dimming = 10"	On/Off = 8" Dimming = 10"	N/A
New Construction (NC)	On/Off = 8" Dimming = 10"	On/Off = 8" Dimming = 10"	On/Off = 8" Dimming = 10"	N/A
Insulation Contact (IC/CP)	7"	9"	N/A	N/A



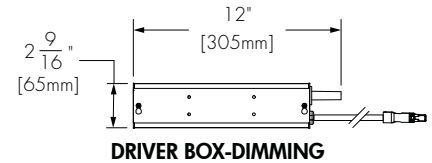
LACN-MTG-A-VOLTAGE-OUTPUT-COLOR RENDERING-NO-RM
Remodel non-insulated ceiling - On/Off control



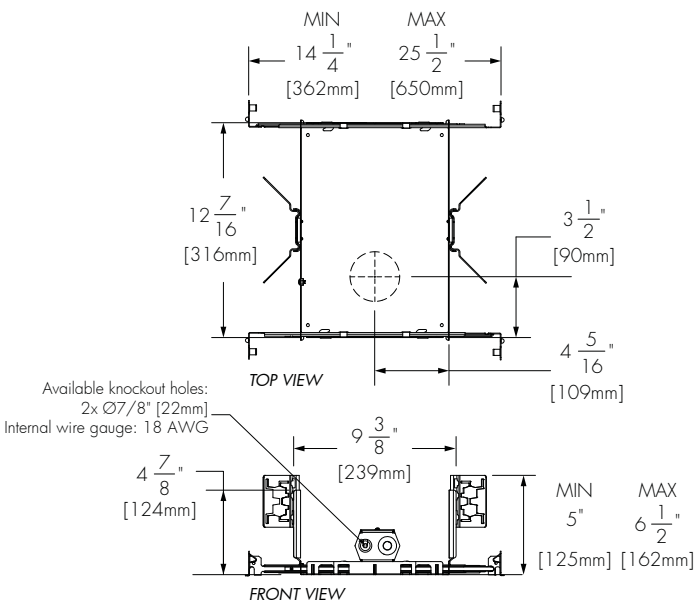
LACN-MTG-A-VOLTAGE-OUTPUT-COLOR RENDERING-DIMMING-RM
Remodel non-insulated ceiling - Dimming



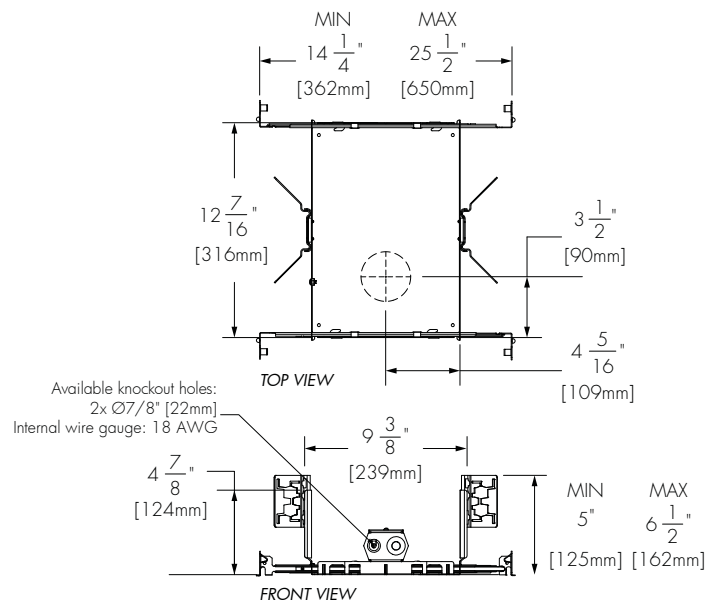
DRIVER BOX-NO



DRIVER BOX-DIMMING

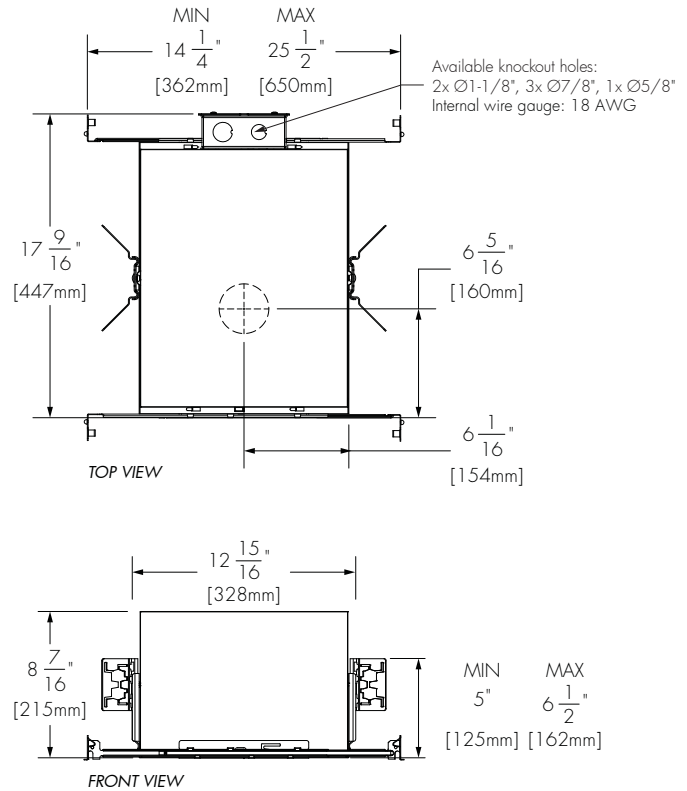
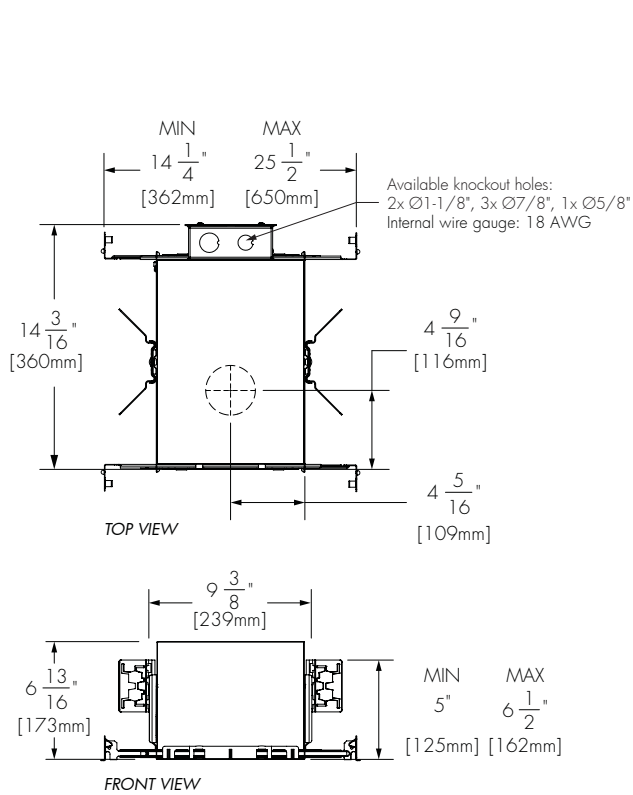


LACN-MTG-A-VOLTAGE-OUTPUT-COLOR RENDERING-NO-NC
New construction non-insulated ceiling - On/Off control



LACN-MTG-A-VOLTAGE-OUTPUT-COLOR RENDERING-DIMMING-NC
New construction non-insulated ceiling - Dimming

INSTALLATION TYPES - continued



LACN-MTG-A-VOLTAGE-OUTPUT-COLOR RENDERING-CONTROL-IC/CP*

New construction insulated ceiling

*Available for the following output and color rendering combinations:

Nominal output [lm]	Color rendering			
	CR80	CR95	RCR80	RCR95
L07	YES	YES	YES	YES
L10	YES	N/A	YES	N/A

LACN-MTG-A-VOLTAGE-OUTPUT-COLOR RENDERING-CONTROL-IC/CP*

New construction insulated ceiling

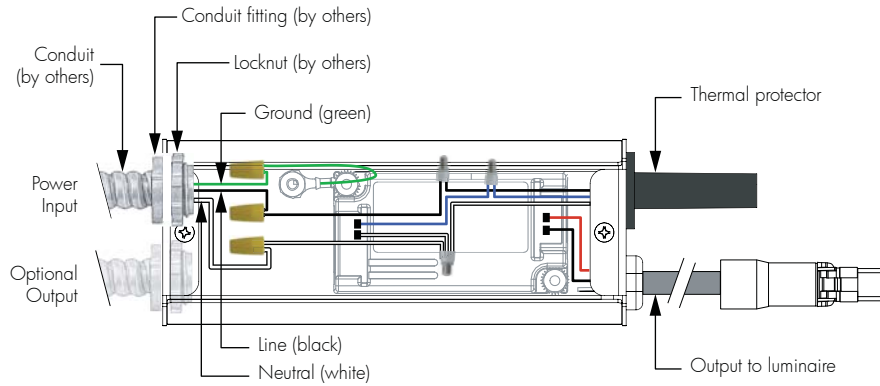
*Available for the following output and color rendering combinations:

Nominal output [lm]	Color rendering			
	CR80	CR95	RCR80	RCR95
L10	N/A	YES	N/A	YES
L13	YES	N/A	YES	N/A

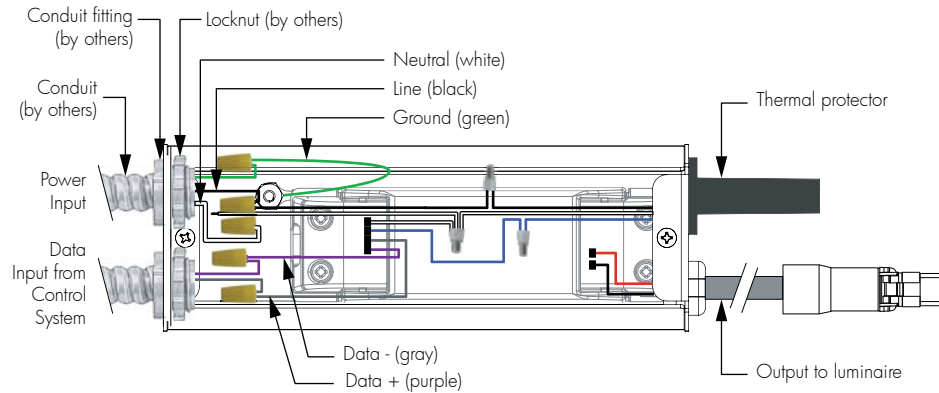
WIRING DETAILS

RM: remodel non-insulated ceiling and NC: new construction insulated ceiling

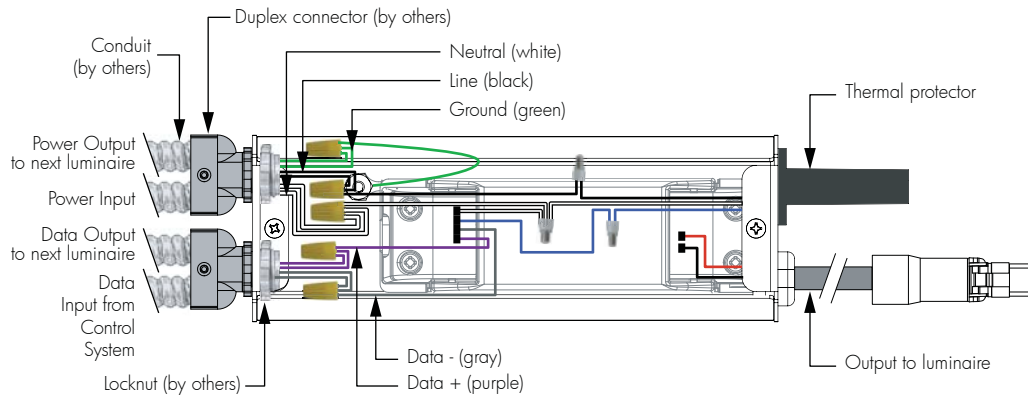
No Control



Control (DA1, DA2, PDA1, PDA2, DALI1, DALI2)



Control (Daisy Chain Layout) (DA1, DA2, PDA1, PDA2, DALI1, DALI2)

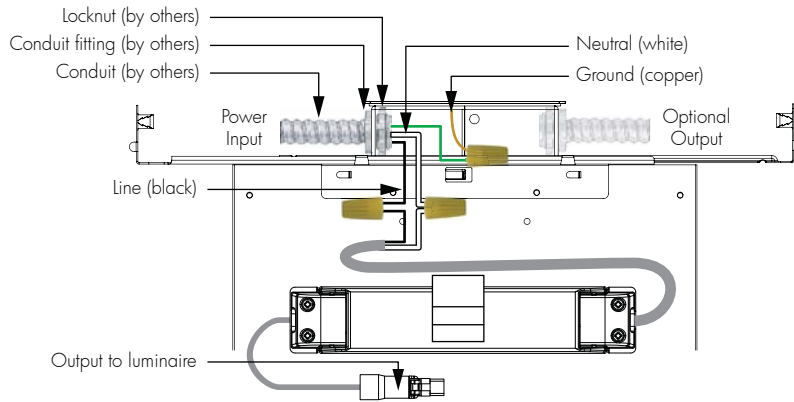


WIRING DETAILS - continued

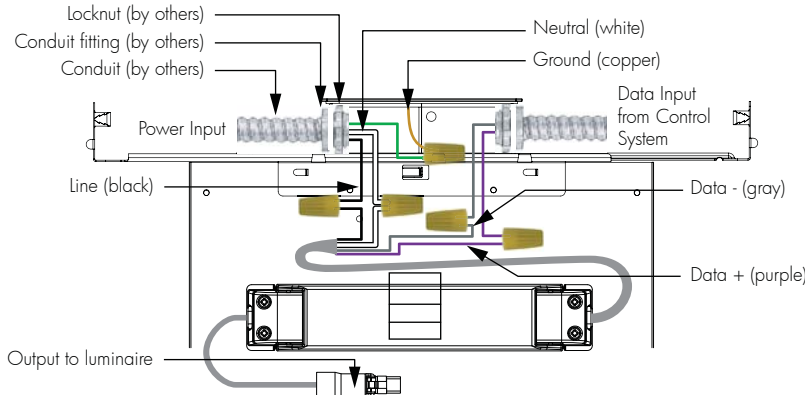
IC/CP: new construction insulated ceiling

Insulated ceiling up to 1300 Lumens (CR80 or RC80), 1000 Lumens (CR95 or RCR95)

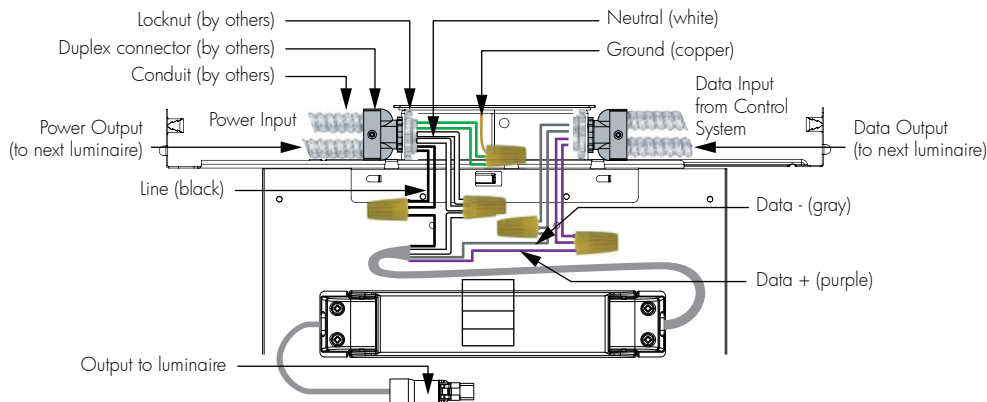
No Control



Control (DA1, DA2, PDA1, PDA2, DALI1, DALI2)



Control (Daisy Chain Layout) (DA1, DA2, PDA1, PDA2, DALI1, DALI2)



OPTICAL ACCESSORIES

Maximum two accessories for standard construction.

HL - Honeycomb louver



SL - Softening glass lens



RS - Linear spread glass lens



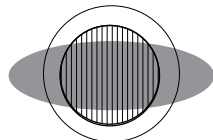
CL - Clear glass lens*



*Automatically included when selecting WET option, do not specify.
Maximum one additional accessory with WET option.

RS - LINEAR SPREAD GLASS LENS ORIENTATION

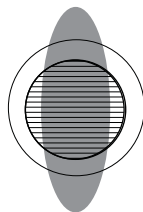
Factory installed, round trim shape shown



BOTTOM VIEW

RS

Horizontal Beam Distribution
Not adjustable onsite



BOTTOM VIEW

RS

Vertical Beam Distribution
Not adjustable onsite

Install fixture onsite according to desired beam pattern direction.

HOW TO ORDER

LACN	A	120	L07	40K	CR80	W	RD	NS	DA1	RM		SL
	1	2	3	4	5	6	7	8	9	10	11	12

1 | Region:

A - Americas

2 | Voltage:

120 - 120 volts

277 - 277 volts

Consult factory for 347 volts.

3 | Output (nominal lumens):

L07 - 700 lumens

L10 - 1000 lumens

L13 - 1300 lumens

L20 - 2000 lumens

4 | Color Temperature:

27K - 2700K

30K - 3000K

35K - 3500K

40K - 4000K

5 | Color Rendering:

CR80 - CRI 80+

CR95 - CRI 95+, up to 1300 lumen output

RCR80 - Radiant CRI 80+*

RCR95 - Radiant CRI 95+, up to 1300 lumen output*

*Radiant CRI options available for 3000K only.

6 | Optics:

M - Medium distribution 40°

W - Wide distribution 70°

7 | Trim Shape:

RD - Round shape

SQ - Square shape

8 | Trim Finish:

WH - White trim

NS - Nickel satin trim

9 | Control:

NO - On/Off control

DA1 - 0-10V dimming, 1% linear

DA2 - 0-10V dimming, 1% logarithmic

PDA1 - Pro 0-10V dimming, 0.1% linear

PDA2 - Pro 0-10V dimming, 0.1% logarithmic

DALI1 - DALI dimming, 0.1% linear

DALI2 - DALI dimming, 0.1% logarithmic

10 | Installation Type:

RM - Remodel non-insulated ceiling

NC - New construction non-insulated ceiling

IC - New construction insulated ceiling*

CP - New construction insulated ceiling, Chicago plenum rated option*

*Insulated ceiling up to 1300 Lumens (CR80 or RCR80), 1000 Lumens (CR95 or RCR95).

11 | Option:

WET - IP54 rating suitable for wet location

Suitable for covered ceiling-mounted recessed applications only, clear glass lens included. No tilt adjustment.

12 | Accessories (factory installed):

NA - No accessory

HL - Honeycomb louver

SL - Softening glass lens

RS - Linear spread glass lens*

CL - Clear glass lens**

*Refer to page 9 for orientation guidelines.

**Automatically included when selecting WET option, do not specify.

Maximum one additional accessory with WET option.

Maximum two accessories per fixture for standard construction.

FEATURES & SPECIFICATIONS

INTENDED USE — The GTL LED recessed troffer provides a digital lighting platform to deliver general ambient lighting for many applications such as schools, offices and hospitals. The light engine delivers long life and excellent color to ensure a sound quality, low-maintenance lighting installation. **Certain airborne contaminants can diminish integrity of acrylic.** [Click here for Acrylic Environmental Compatibility table for suitable uses.](#)

CONSTRUCTION — Smooth hemmed sides and smooth inward formed end flanges for safe handling. Lighter-weight fixture allows for safe, easy installation.

OPTICS — Highly transmissive pattern #12 lens (0.095" thickness), diffuses light source without compromising output.

ELECTRICAL — Long-life LEDs, coupled with high-efficiency drivers, provide extended service life. GTL is rated to deliver L90 performance at 60,000 hours.

LED drivers deliver dimming from 0-10V control signal. 5% dimming level.

Ballast disconnect is provided where required to comply with U.S. and Canadian codes.

INSTALLATION — Drivers and internal components are accessible from floor. LED boards include plug-in connectors for easy replacement or servicing. Suitable for direct insulation contact. Suitable for damp location.

LISTINGS — CSA certified to U.S. and Canadian standards. Damp listed. DesignLights Consortium® (DLC) qualified product. Not all versions of this product may be DLC qualified. Please check the DLC Qualified Products List at www.designlights.org/QPL to confirm which versions are qualified.

WARRANTY — 5-year limited warranty. Complete warranty terms located at www.acuitybrands.com/CustomerResources/Terms_and_conditions.aspx

Note: Specifications subject to change without notice.

Catalog Number	
Notes	
Type	C

Contractor Select

LED Troffers

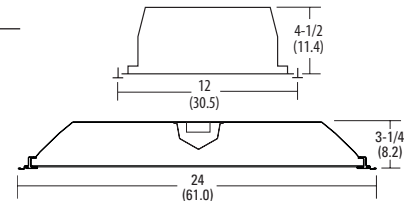


1' x 4', 2' x 2' and 2' x 4'
LED



Specifications

Length:	24 (61.0) for 2' x 2'
	48 (122.0) for 1' x 4', 2' x 4'
Width:	12 (30.5) for 1' x 4'
	24 (61.0) for 2' x 2', 2' x 4'
Depth:	4-1/2 (11.4) for 1' x 4'
	3-1/4 (8.2) for 2' x 2', 2' x 4'



All dimensions are in inches (centimeters) unless otherwise indicated.

ORDERING INFORMATION

Catalog number	UPC	Description	Lumens	Color temperature	Lens type	Voltage	Wattage ²	Pallet qty.	Standard carton qty.
2GTL2 LP835	753573916604	2X2 LED Recessed Troffer	3,705	3500K	Patterned #12 acrylic	120-277	39.6	56	1
2GTL2 LP840	753573916659	2X2 LED Recessed Troffer	3,883	4000K	Patterned #12 acrylic	120-277	39.6	56	1
2GTL4 LP835	753573916505	2x4 LED Recessed Troffer	4,104	3500K	Patterned #12 acrylic	120-277	39	28	1
2GTL4 LP840	753573916581	2x4 LED Recessed Troffer	4,290	4000K	Patterned #12 acrylic	120-277	39	28	1
GTL4 LP835 ¹	888791586428	1x4 LED Recessed Troffer	3,751	3500K	Patterned #12 acrylic	120-277	40.1	40	1
GTL4 LP840 ¹	888791586381	1x4 LED Recessed Troffer	3,939	4000K	Patterned #12 acrylic	120-277	40.1	40	1
2GTL2 347 LP835 ¹	820476012235	2X2 LED Recessed Troffer	3,705	3500K	Patterned #12 acrylic	347	39.6	56	1
2GTL2 347 LP840 ¹	820476012259	2X2 LED Recessed Troffer	3,883	4000K	Patterned #12 acrylic	347	39.6	56	1
2GTL4 347 LP835 ¹	753573916550	2x4 LED Recessed Troffer	4,104	3500K	Patterned #12 acrylic	347	39	28	1
2GTL4 347 LP840 ¹	820476015021	2x4 LED Recessed Troffer	4,290	4000K	Patterned #12 acrylic	347	39	28	1
GTL4 347 LP835 ¹	888791623277	1x4 LED Recessed Troffer	3,751	3500K	Patterned #12 acrylic	347	40.1	40	1
GTL4 347 LP840 ¹	888791623291	1x4 LED Recessed Troffer	3,939	4000K	Patterned #12 acrylic	347	40.1	40	1

Accessories: Order as separate catalog number.

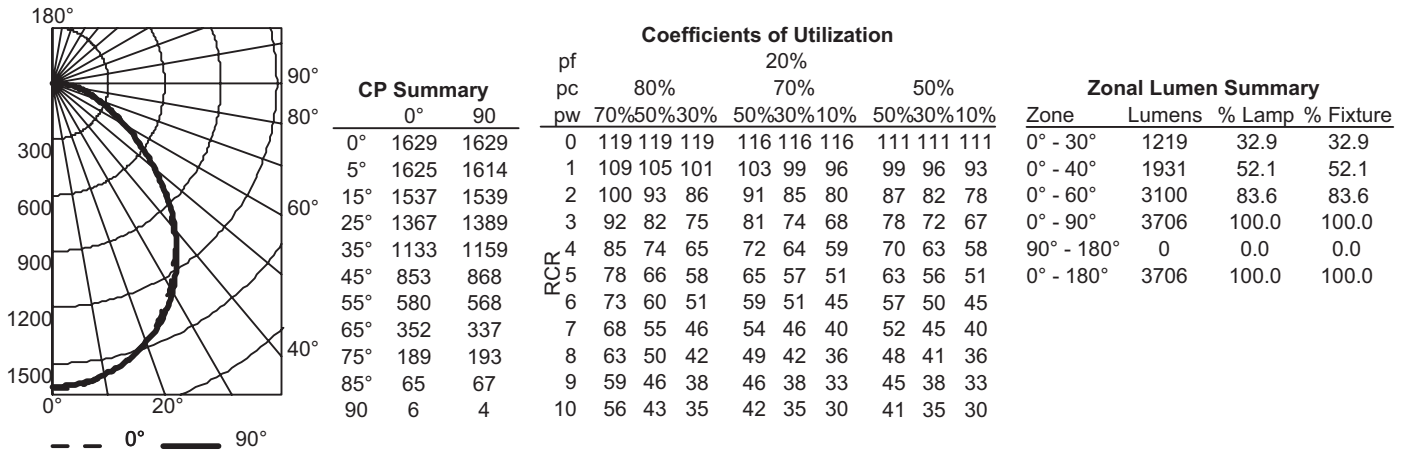
DGA14	Drywall grid adapter for 1x4 recessed fixture.
DGA22	Drywall grid adapter for 2x2 recessed fixture.
DGA24	Drywall grid adapter for 2x4 recessed fixture.

Notes

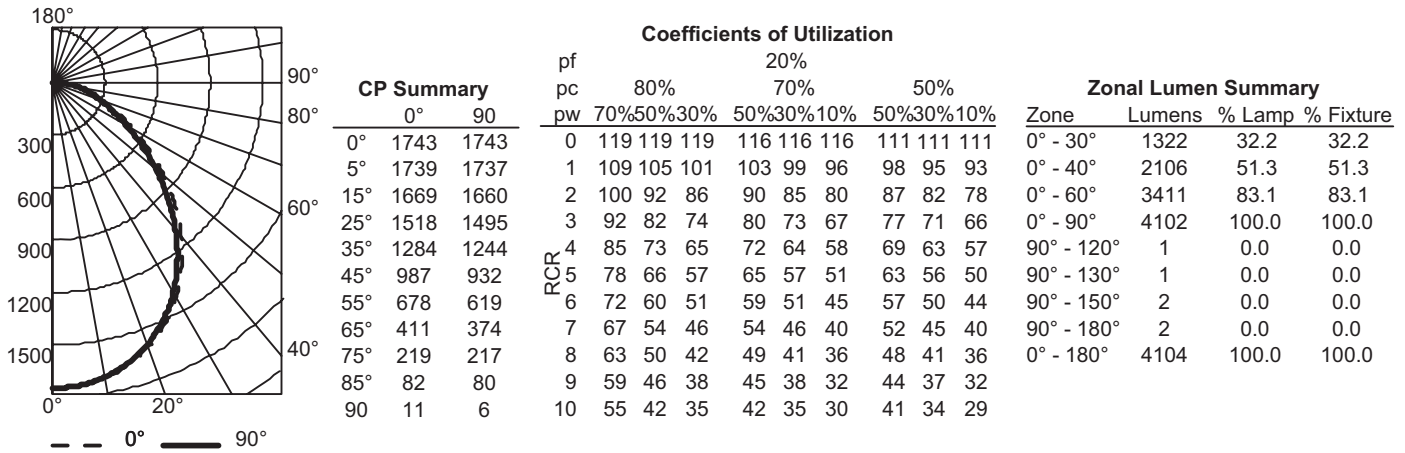
- 1 Non-stock standard manufacturing lead times apply.
- 2 Actual wattage may differ by +/-5% when operating between 120-277V +/-10%.

PHOTOMETRICS

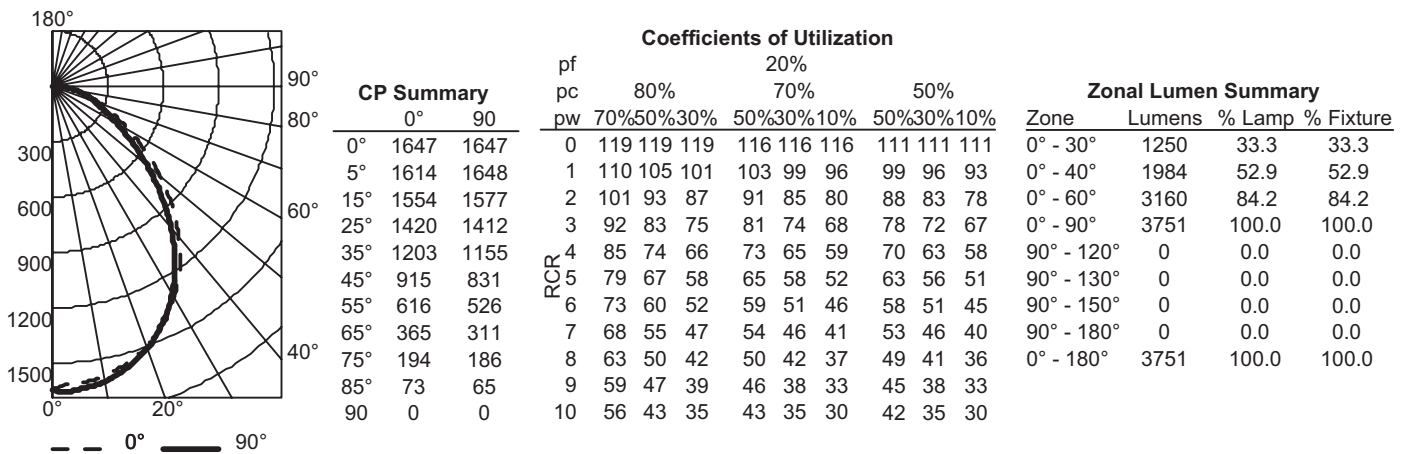
2GTL2 LP835, 3704.9 delivered lumens, test no. LTL26153P30, tested in accordance to IESNA LM-79.



2GTL4 LP835, 4103.7 delivered lumens, test no. LTL26406P31, tested in accordance to IESNA LM-79.



GTL4 LP835, 3750.9 delivered lumens, test no. LTL26527P9, tested in accordance to IESNA LM-79.



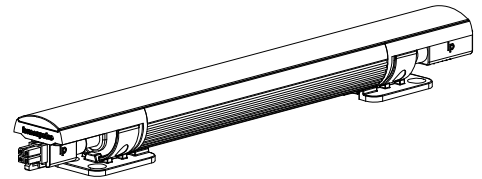
Client _____ Project name _____

Order# _____ Type **D** Qty _____

FEATURES AND BENEFITS

Physical :

- Polymer extruded housing
- Available in 1' or 4' sections
- Adjustable mounting brackets, +/- 81° aiming (tool-less)
- Beam angle: 120° x 120°
- White standard finish
- Clear high-transmittance polycarbonate injected lens, frosted lens option available
- Indoor applications, dry/damp location only
- 10 year limited warranty¹



Powered by **lumendrive™**

Performance :

- CRI value: 80+
- Color temperatures: 2700K, 3000K, 3500K or 4000K
- Lumen maintenance 100,000 hrs [L70 @ 25°C]
- Lumen measurements comply with LM-79-08 standard
- Operating temperatures: 0° C to 50° C [32F to 122F]

Performance summary

4ft fixture, clear lens*

CCT [K]	RO - Regular output		HO - High output**	
	Delivered output [lm]	Efficacy [lm/W]	Delivered output [lm]	Efficacy [lm/W]
2700K	1,188	99.2	1,668	87.6
3000K	1,310	109.6	1,696	89.1
3500K	1,265	105.7	1,868	98.5
4000K	1,358	114.2	1,840	97.9

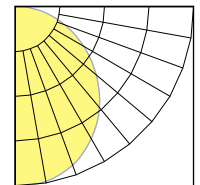
* 1ft fixture delivered output ratio = x0.25

Frosted lens option delivered output ratio = x0.85

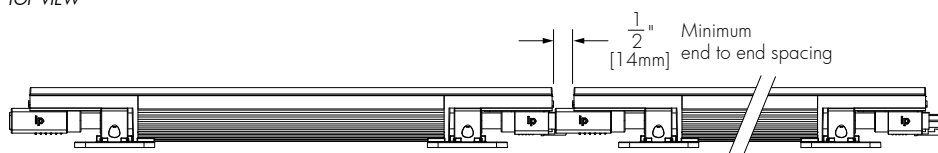
**Estimated. Consult website for latest ies files and reports.

Electrical :

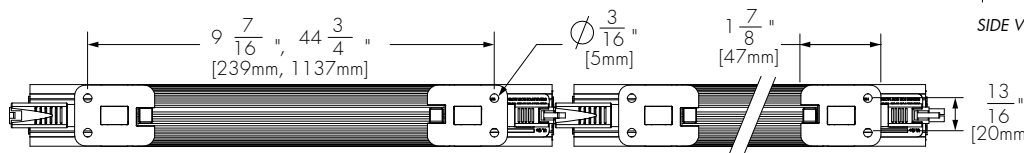
- Line voltage luminaire for 120V, 240V or 277V
- Powered by Lumendrive AC step drive, no power supply onboard
- Power and data in 1 cable (#16-4), white cable and connector standard
- Thumb latch connectors, breakable under load
- 3W/ft - RO version, 5W/ft - HO version
- Dimming option: 0-10V Source
- 0-10V Sink, DALI and DMX enabled with Smart Data Bridge (accessory)
- ELV, TRIAC, 0-10V Sink and DMX enabled with Lumentalk Data Bridge (accessory)



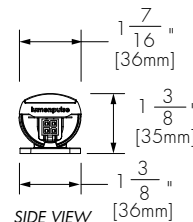
TOP VIEW



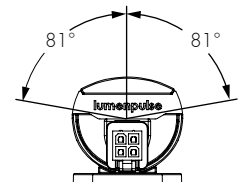
FRONT VIEW



BOTTOM VIEW



SIDE VIEW

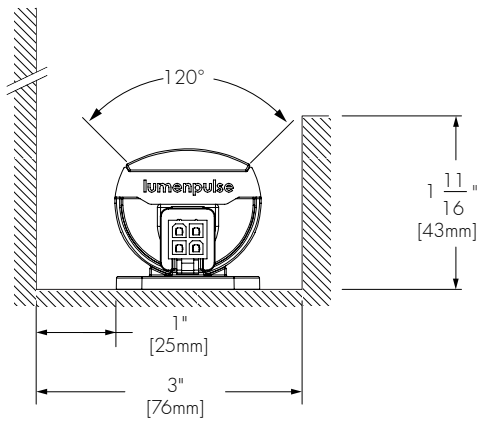


Maximum Pivot Limits Adjustable in 9° increments

¹The limited 10-year warranty is only valid if the product is operated in an ambient environment that does not exceed 25 °C. Otherwise, our limited 5-year warranty shall apply.

MOUNTING DETAILS

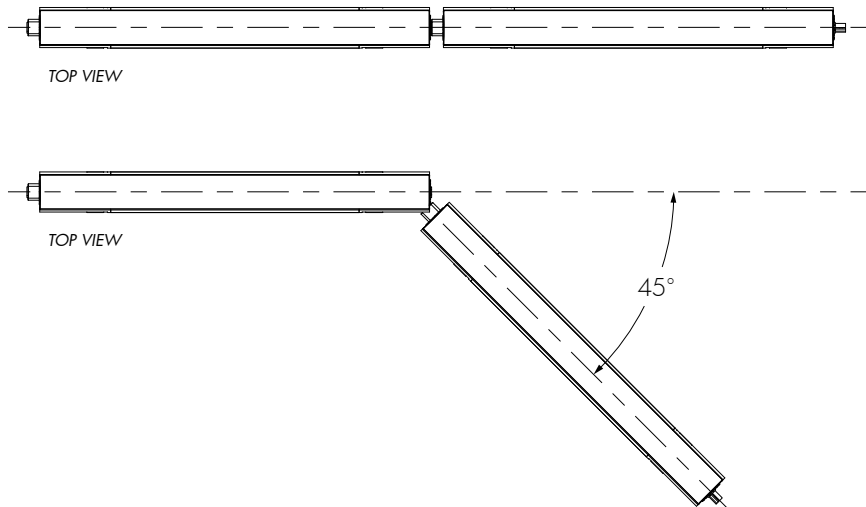
SUGGESTED COVE DIMENSIONS



Suggested cove dimensions for minimum cove height

MAXIMUM ANGLE ADJUSTMENT

A jumper cable is required for angles greater than 45°.



ACCESSORIES

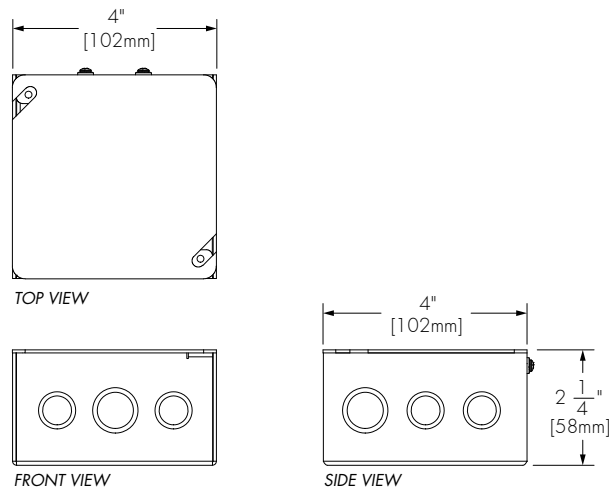
Order separately, refer to each item's specification sheet for ordering information

Cables (required):

- Leader Cable for non-dimming Lumencove® Nano, 10' or 25' standard lengths
- Leader Cable for dimming Lumencove® Nano, 10' or 25' standard lengths
- Leader Cable with wall plug for Lumencove® Nano, 10' or 25' standard lengths
- Jumper Cable for Lumencove® Nano, 2' or 4' standard lengths

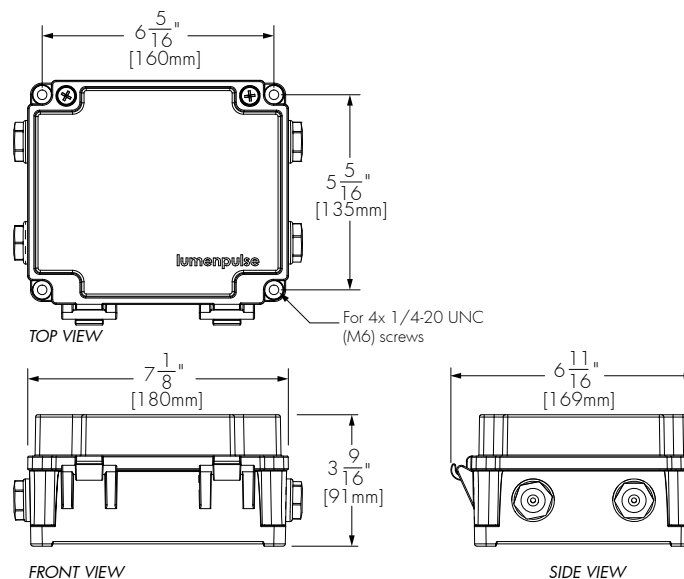
Smart Data Bridge (required for 0-10V Sink dimming applications):

Smart data bridge converts DALI, DMX and 0-10V Sink control protocols to be compatible with Lumencove Nano (0-10V Source input signal required).



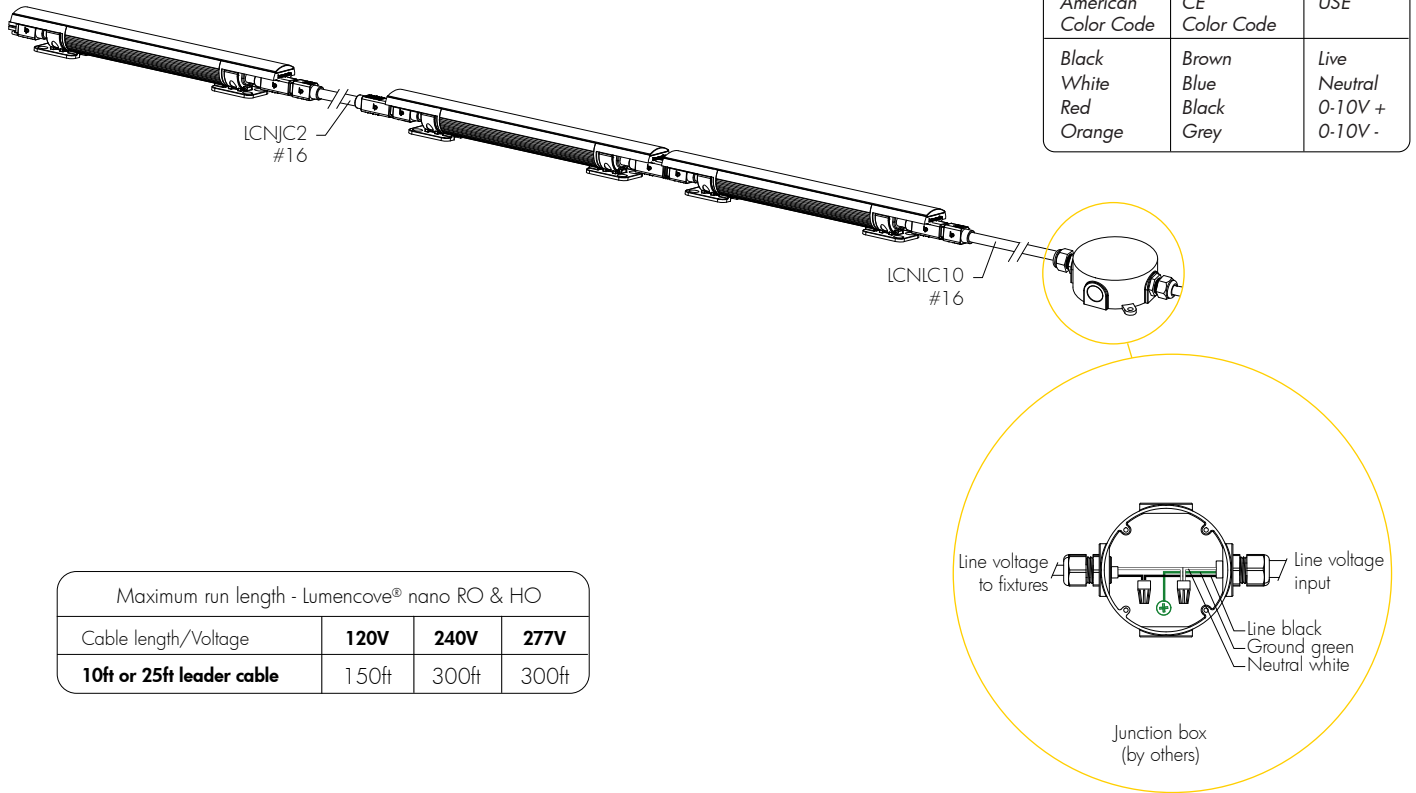
Lumentalk Data Bridge (optional dimming accessory):

ELV, TRIAC, 0-10V (sink) and DMX control enabled with Lumentalk Data Bridge. Lumentranslator required according to the selected control signal.



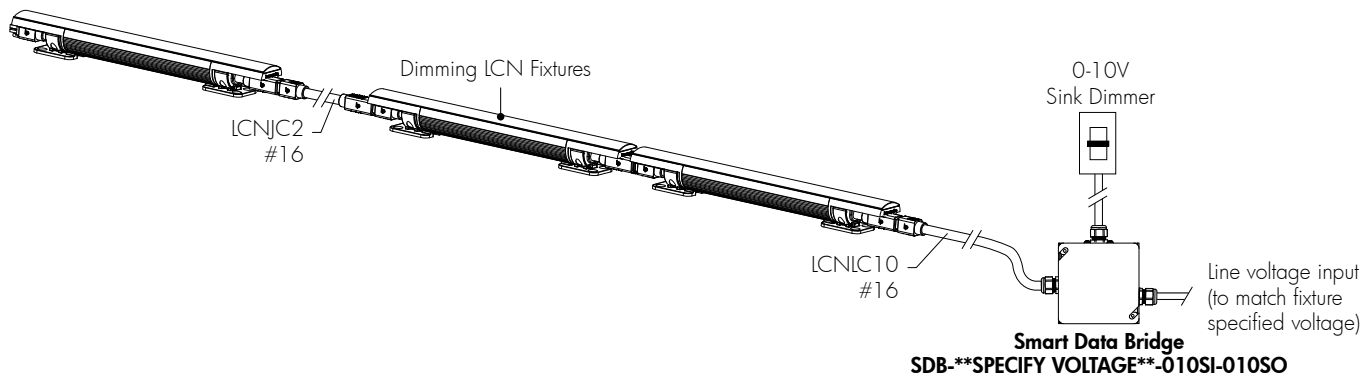
TYPICAL WIRING DIAGRAMS

Non-Dimming Version



Dimming Version (0-10V with Sink Dimmer, Smart Data Bridge Required)

10% minimum dimming value



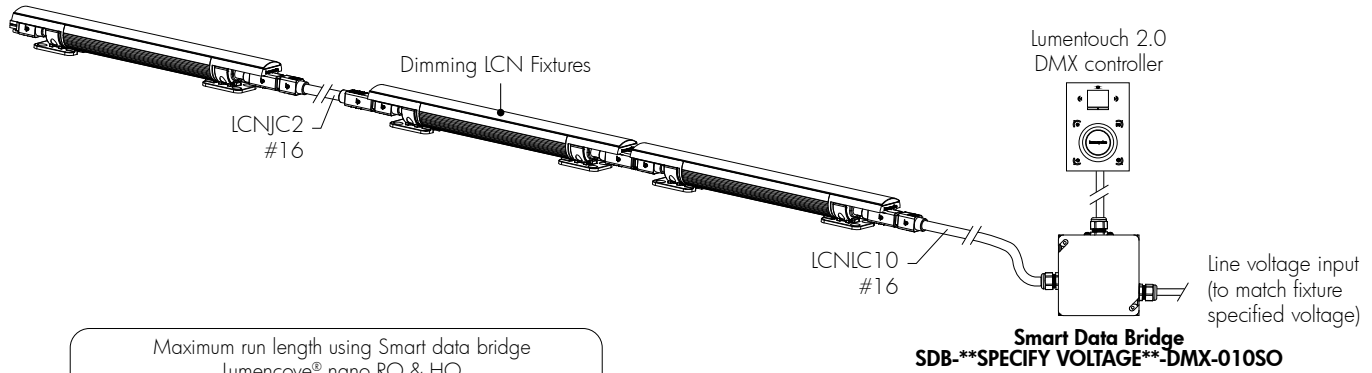
Consult online [application note](#) for details on 0-10V Sink vs. 0-10V Source dimming for the Lumencove® Nano.

TYPICAL WIRING DIAGRAMS - continued

Dimming Version (DALI or DMX Controller, Smart Data Bridge Required)

10% minimum dimming value

American Color Code	CE Color Code	USE
Black	Brown	Live
White	Blue	Neutral
Red	Black	0-10V +
Orange	Grey	0-10V -

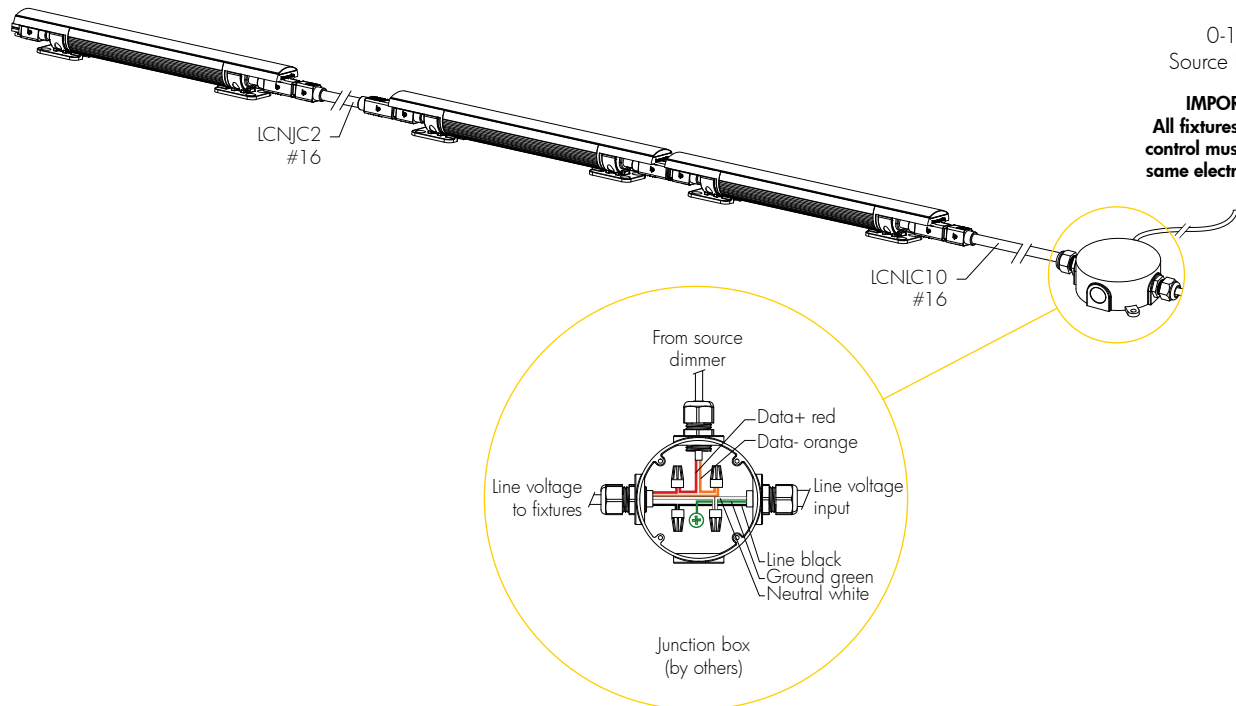


Maximum run length using Smart data bridge Lumencove® nano RO & HO			
Cable length/Voltage	120V	240V	277V
10ft or 25ft leader cable	150ft		

Consult factory for specific applications.

Dimming Version (0-10V with Source Dimmer)

10% minimum dimming value



0-10V Source Dimmer

IMPORTANT
All fixtures and their control must be on the same electrical phase.

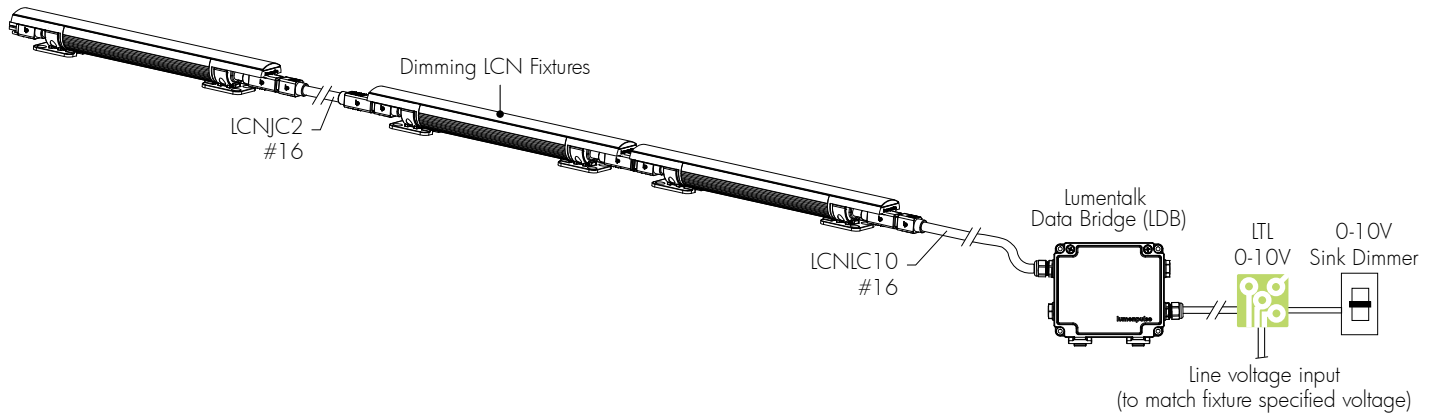
Consult online [application note](#) for details on 0-10V Sink vs. 0-10V Source dimming for the Lumencove® Nano.

TYPICAL WIRING DIAGRAMS - continued

Dimming Version (0-10V with Sink Dimmer, Lumentranslator and Lumentalk Data Bridge)

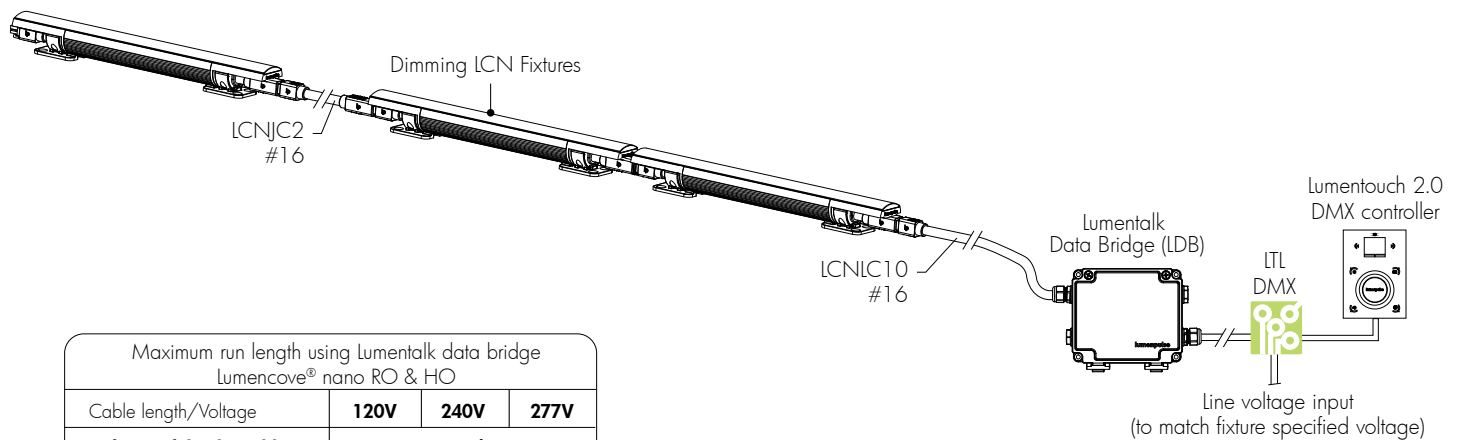
10% minimum dimming value

American Color Code	CE Color Code	USE
Black	Brown	Live
White	Blue	Neutral
Red	Black	0-10V +
Orange	Grey	0-10V -



Dimming Version (ELV/TRIAC or DMX Controller, Lumentranslator and Lumentalk Data Bridge)

10% minimum dimming value



Maximum run length using Lumentalk data bridge lumencove® nano RO & HO			
Cable length/Voltage	120V	240V	277V
10ft or 25ft leader cable	150ft		

Consult factory for specific applications.

Consult online [application note](#) for details on 0-10V Sink vs. 0-10V Source dimming for the Lumencove® Nano.

HOW TO ORDER

LCN RO | 120 | 48 | 40K | FR | WH | DIM
 1 | 2 | 3 | 4 | 5 | 6 | 7

1

Housing:

LCN RO - Lumencove® Nano, Regular Output 3W/ft
LCN HO - Lumencove® Nano, High Output 5W/ft

2

Voltage:

120 - 120 volts
240 - 240 volts
277 - 277 volts

3

Length (nominal):

12 - 12 1/8 inches (309mm) (0.23kg/0.5 lbs)
48 - 47 1/2 inches (1206mm) (0.68kg/1.5 lbs)

4

Colors and Color temperatures:

27K - 2700K
30K - 3000K
35K - 3500K
40K - 4000K

5

Lens:

CL - Clear lens
FR - Frosted lens

6

Finish:

WH - White (standard finish)

7

Control:

NO - No Dimming
DIM - 0-10V Source dimming option
 (10% minimum dimming value, Current Source: 0.5mA/fixture.)

Notes:

For more information about 0-10V Sink vs 0-10V Source dimming for the Lumencove Nano, consult the [application note](#) on the lumenpulse website.

Smart Data Bridge converts DALI, DMX and 0-10V Sink control protocols to be compatible with lumencove Nano (0-10V Source input signal), order separately.

Lumentalk Data Bridge converts ELV, TRIAC, 0-10V Sink and DMX control protocols via Lumentalk technology to be compatible with Lumencove Nano (0-10V Source input signal required), order separately. Lumentranslator required with Lumentalk Data Bridge according to the selected control signal, order separately.

FEATURES & SPECIFICATIONS

INTENDED USE — The VT Series Volumetric LED Troffer (VTL) combines the aesthetics and high performance with intelligent LED engines for applications such as offices, schools, retail locations and hospitals. High-efficacy light engines deliver long life and excellent color, ensuring a superior quality lighting installation that is highly efficient and sustainable. Multiple lumen packages and driver options provide solutions for all your lighting applications. Featured nLight control system provides design flexibility and ease of installation and optimum energy savings.

CONSTRUCTION — Rugged, one-piece cold-rolled steel coated polyester, painted after fabrication with embossed facets. Impact-modified, single clear acrylic diffuser provides excellent shielding and wide distribution. End plates include integral T-bar clips. Fixture may be mounted and wired in continuous rows. Total fixture height is only 4-3/8".

OPTICS — Volumetric illumination is achieved by creating an optimal mix of light to walls, partitions, vertical and horizontal work surfaces — rendering the interior space, objects and occupants in a more balanced, complementary luminous environment. Linear faceted reflector cavity softens and distributes light into the space while minimizing luminous contrast between the fixture and ceiling. Sloped end plates provide a smooth, luminous transition between fixture and ceiling while enhancing the perception of fixture depth. High-performance diffuser provides LED concealment, even illumination across the diffuser and improved lumen-per-watt performance.

Now available with two different aesthetics including the standard Acrylic Linear Prismatic Diffuser (ADP) and the Acrylic Linear Prismatic Diffuser with Diffuser Trim Rings (ADPT).

ELECTRICAL — Long-life LEDs, coupled with high-efficiency drivers, provide superior quantity and quality of illumination for extended service life. 90% LED lumen maintenance at 60,000 hours (L90/60,000).

eldoLED driver options deliver choice of dimming range, and choices for control, while assuring flicker-free, low-current inrush, 89% efficiency and low EMI.

Optional integrated nLight® controls make each luminaire addressable - allowing it to digitally communicate with other nLight enabled controls such as dimmers, switches, occupancy sensors and photocontrols. Simply connect all the nLight enabled control devices and the VTLED luminaires using standard Cat-5 cabling. Unique plug-and-play convenience as devices and luminaires automatically discover each other and self-commission.

Lumen Management: Unique lumen management system (option N80) provides on board intelligence that actively manages the LED light source so that constant lumen output is maintained over the system life, preventing the energy waste created by the traditional practice of over-lighting.

Step-level dimming option allows system to be switched to 50% power for compliance with common energy codes while maintaining fixture appearance.

Driver disconnect provided where required to comply with US and Canadian codes.

SENSOR — **Integrated sensor (individual control):** Sensor Switch MSD7ADCX ((Passive infrared (PIR)) or MSDPDT7ADCX ((PIR/Microphonics Dual Tech (PDT)) integrated occupancy sensor/automatic dimming photocell allows the luminaire to power off when the space is unoccupied or enough ambient light is entering the space. See page 2 for more details on the integrated sensor.

Catalog Number
Notes
Type E

VT Series Volumetric LED Troffer



2VTL

2' x 2'
LED



Integrated Sensor (nLight Wired Networking): This sensor is nLight-enabled, meaning it has the ability to communicate over an nLight network. When wired, using CAT-5 cabling, with other nLight-enabled sensors, power packs, or WallPods, an nLight control zone is created. Once linked to a Gateway, directly or via a Bridge, the zone becomes capable of remote status monitoring and control via SensorView software. See page 2 for the nLight sensor options.

INSTALLATION — Unique grid interfacing arrangement provides mounting into standard 1" and 9/16" tee bar or screw slot grids. 9/16" allows fixture trim to hang level with architectural ceiling tiles. Drywall ceiling adaptors available. Suitable for damp location.

LISTINGS — CSA Certified to meet U.S. and Canadian standards. IC rated. DesignLights Consortium® (DLC) qualified product. Not all versions of this product may be DLC qualified. Please check the DLC Qualified Products List at www.designlights.org/QPL to confirm which versions are qualified.

WARRANTY — 5-year limited warranty. Complete warranty terms located at www.acuitybrands.com/CustomResources/Terms_and_conditions.aspx

NOTE: Actual performance may differ as a result of end-user environment and application. All values are design or typical values, measured under laboratory conditions at 25°C. Specifications subject to change without notice.

ORDERING INFORMATION

Lead times will vary depending on options selected. Consult with your sales representative.

Example: 2VTL2 40L ADPT EZ1 LP840 MSD7ADCX

Series	Air function	Lumens	Diffuser	Voltage	Driver	Color temperature
2VTL2 2X2 VTL	(blank) Static H Heat removal	20L 2000 ¹ 33L 3300 ¹ 40L 4000 ¹	ADP Acrylic linear prismatic ADPT Acrylic linear prismatic with diffuser trim rings	(blank) MVOLT 347 347 ²	EZ1 eldoLED dims to 1% (0-10 volt dimming) EZB eldoLED dims to dark (0-10 volt dimming) EDB eldoLED DALI ³ EXB eldoLED DMX/RDM ³ SLD Step-level dimming ³ EXA1 Dims to 1%, XPoint wireless enabled ⁴ EXAB Dims to dark, XPoint wireless enabled ⁴	LP830 82CRI, 3000 K LP835 82CRI, 3500 K LP840 82CRI, 4000 K LP850 82CRI, 5000 K

Controls	Occupancy Control ⁶	Options
(blank) No nLight® N80 nLight® with 80% lumen management N80EMG nLight® with 80% lumen management For use with generator supply EM power ⁵ N100 nLight® without lumen management N100EMG nLight® without lumen management For use with generator supply EM power ⁵	(blank) No sensor control nLight Wired Networking NES7 nLight™ nES 7 PIR integral occupancy sensor ⁷ NESPDT7 nLight™ nES PDT 7 dual technology integral occupancy control ⁷ NES7ADCX nLight™ nES 7 ADCX PIR integral occupancy sensor with automatic dimming photocell ⁷ NESPDT7ADCX nLight™ nES PDT 7 dual technology integral occupancy sensor with automatic dimming photocell ⁷	Xpoint Wireless Networking XADS7 Xpoint™ micro 360° PIR occupancy sensor and automatic dimming photocell ^{4,8,9} Individual Control MSD7ADCX PIR integral occupancy sensor with automatic dimming control photocell ^{8,10} MSDPDT7ADCX PDT integral occupancy sensor with automatic dimming control photocell ^{8,10}
		EL7L 700 lumen battery pack EL14L 1400 lumen battery pack CP Chicago plenum

Accessories: Order as separate catalog number.
2VT2 F916 Trim to adjust fixture mounting flush with 9/16" T-bar; for 2x2 fixture
DGA22 FS/VT Drywall ceiling adapter with trim kit

Notes

- 1 Approximate lumen output.
- 2 Consult factory for availability. Not available with SLD,EL7L or EL14 battery packs.
- 3 Not available with N80, N80EMG, N100 or N100EMG.
- 4 Gateway not included. Requires on-site commissioning. Visit www.lightingcontrols.com/XPointWireless for more information.
- 5 nLight EMG option requires a connection to existing nLight network. Power is provided from a separate N80 or N100 enabled fixture.
- 6 Must specify ADPT diffuser. See sensor section on page 2.
- 7 Requires N80, N80EMG, N100, or N100EMG.
- 8 Not available with N80, N80EMG, N100, or N100EMG.
- 9 Only available with EXA1 or EXAB driver options.
- 10 Only available with EZ1 driver option. 0-10v dimming wires not accessible via access plate.

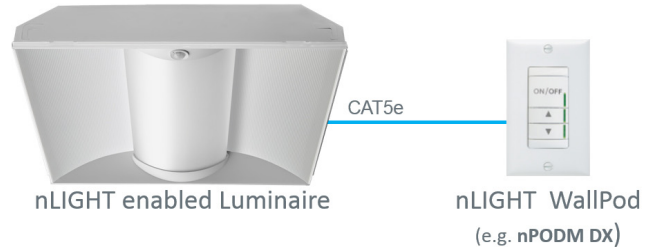
2VTL Volumetric Recessed Lighting 2'x2'

Performance Data			
Lumen Package	Lumens	Input Watts ³	LPW
20L LP830	2044.0	20.39	100.2
20L LP835	2196.0	20.39	107.7
20L LP840	2241.0	20.51	109.3
20L LP850	2401.0	20.51	117.1
33L LP830	3357.0	34.31	97.8
33L LP835	3564.0	34.5	103.3
33L LP840	3670.0	34.59	106.1
33L LP850	3911.0	34.71	112.7
40L LP830	3919.0	41.27	95.0
40L LP835	4179.0	41.42	100.9
40L LP840	4271.0	41.66	102.5
40L LP850	4543.0	41.81	108.7

Note: Based on ADP diffuser

Sensor Options					
Option	Automatic Dimming Photocell	Occupancy Sensing		nLight Wired Networking	Xpoint Wireless Networking
		PIR	PDT		
MSD7ADCX	X	X			
MSDPDT7ADCX	X		X		
NES7		X		X	
NES7ADCX	X	X		X	
NESPDT7			X	X	
NESPDT7ADCX	X		X	X	
XADS7	X	X			X

Basic nLight Zone



Integrated Sensor with Individual Control

The MSD7ADCX PIR occupancy sensor/automatic dimming photocell is ideal for areas without obstructions and where daylight harvesting may be desired. Suggested applications include, but not limited to, hallways, corridors, storage rooms, and breakrooms or other areas where people are typically moving.

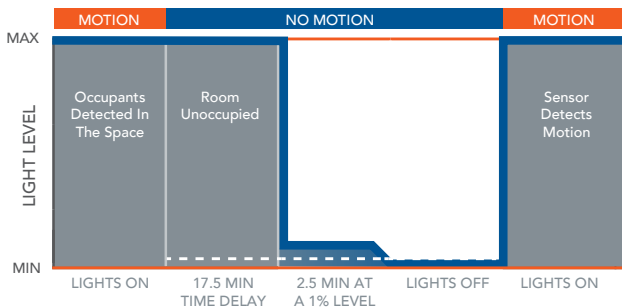
The MSDPDT7ADCX PIR/Microphonics Dual Tech occupancy sensor/automatic dimming photocell is ideal for areas with obstructions and where daylight harvesting is desired. Suggested applications include, but not limited to, open offices, private offices, classrooms, public restrooms, and conference rooms.

nLight Wired Networking

The nES 7 is ideal for small rooms without obstructions or areas with primarily walking motion. Ideal areas include hallways, corridors, storage rooms, and breakrooms. Additionally, the NES7ADCX includes an integrated photocell, which enables daylight harvesting controls.

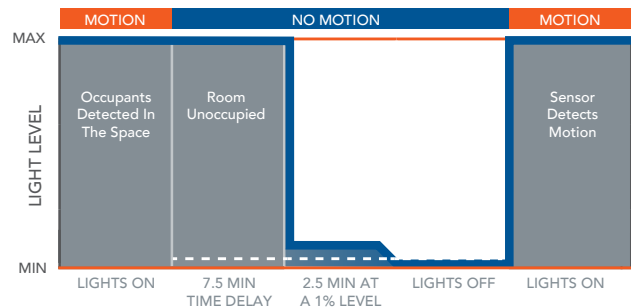
For areas like restrooms, private offices, open offices, conference rooms or any space with obstructions, the nES PDT 7 dual technology sensor is recommended. The nES PDT 7 utilizes both PIR (passive infrared) and Microphonics technologies to detect occupancy. Additionally, the NESPDT7ADCX includes an integrated photocell, which enables daylight harvesting controls which is ideal for areas where windows are present.

Sequence of Operation



*The presetting on the automatic dimming photocell is 5fc.

Sequence of Operation

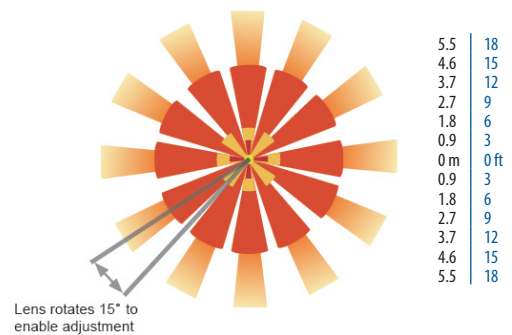


*The presetting on the automatic dimming photocell is 5fc.

Sensor Coverage Pattern Mini 360° Lens

- Recommended for walking motion detection from mounting heights between 8 ft (2.44 m) and 20 ft (6.10 m)
- Initial detection of walking motion along sensor axes at distances of 2x the mounting height up to 15 ft (4.57 m) and 1.75x up to 20 ft (6.10 m).
- Provides 12 ft (3.66 m) radial detection of small motion when mounted at 9 ft (2.74 m)
- Initial detection will occur earlier when walking across sensor's field of view than when walking directly at sensor

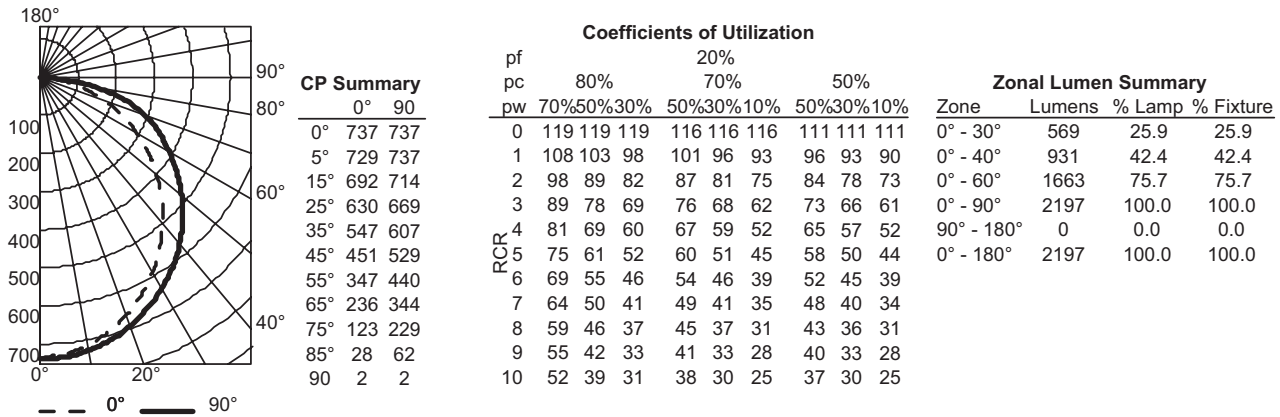
9 FT Mounting



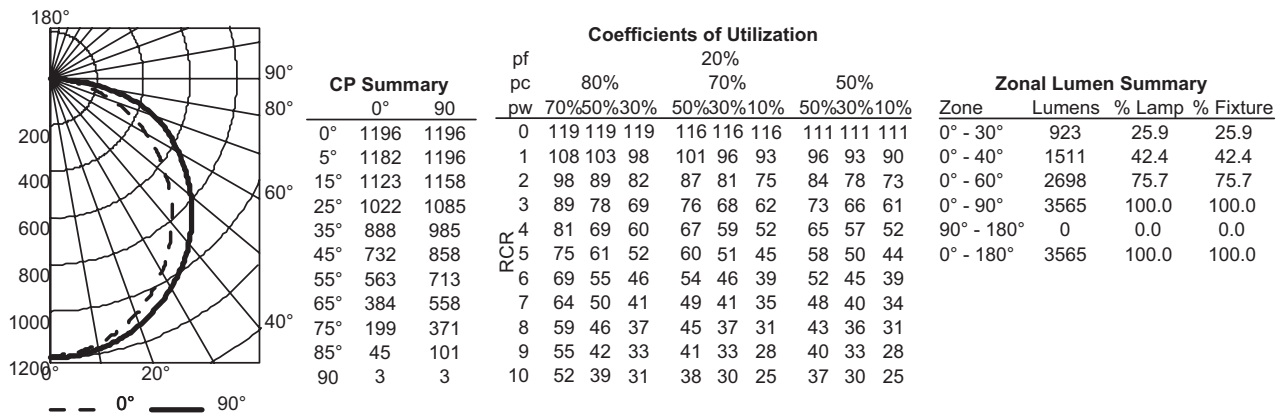
2VTL Volumetric Recessed Lighting 2'x2'

PHOTOMETRICS

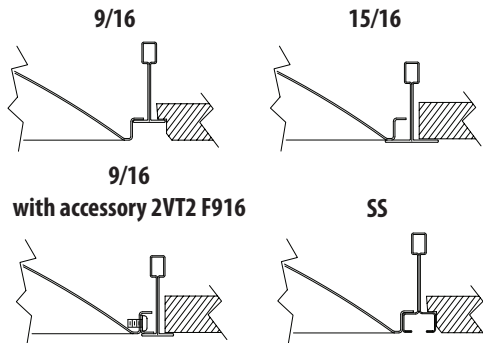
2VTL2 20L ADP LP835, 2196 delivered lumens, test no. LTL24790P, tested in accordance to IESNA LM-79



2VTL2 33L ADP L835, 3564 delivered lumens, test no. LTL24790P4, tested in accordance to IESNA LM-79



Mounting Data



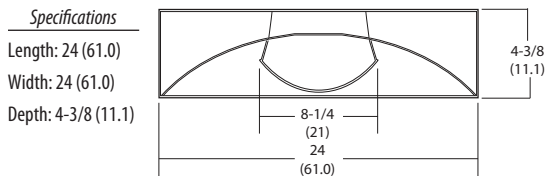
nLight® Control Accessories:

Order as separate catalog number. Visit www.sensorswitch.com/nLight for complete listing of nLight controls.

WallPod stations	Model number	Occupancy sensors	Model number
On/Off	nPODM [color]	Small motion 360°, ceiling (PIR / dual tech)	nCM 9 / nCM PDT 9
On/Off & Raise/Lower	nPODM DX [color]	Large motion 360°, ceiling (PIR / dual tech)	nCM 10 / nCM PDT 10
Graphic Touchscreen	nPOD GFX	Wall switch with raise/lower	nWSXPDTLVDX
Photocell controls	Model number	Cat-5 cable bundles (plenium rated)	Model number
On/Off & Dimming	nCM ADCX	10', 15 pieces per bundle	CAT5 10FT
		30', 15 pieces per bundle	CAT5 30FT

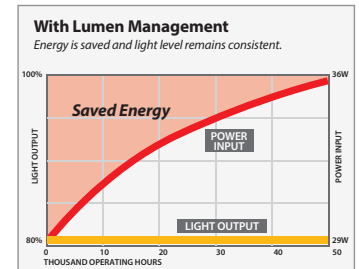
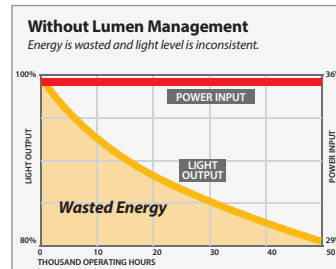
Dimensions

All dimensions are inches (centimeters) unless otherwise specified.



Constant Lumen Management

Enabled by the embedded nLight control, the VTL actively tracks its run-time and manages its light source such that constant lumen output is maintained over the system life. Referred to as lumen management, this feature eliminates the energy waste created by the traditional practice of over-lighting.



FEATURES & SPECIFICATIONS

INTENDED USE — LBL LED wraparound provides a digital lighting platform to deliver general ambient lighting for surface-mount applications. The LED system delivers long life and excellent color to ensure a quality, low-maintenance lighting installation. Ideal for closets, storage rooms, hallways, and offices.

CONSTRUCTION — Metal parts are die formed from code-gauge steel. Prismatic diffuser is 100% acrylic with sonically welded luminous ends. Continuous side flanges on fixture body provide light trap and continuous diffuser support to prevent accidental opening and simplify maintenance.

Finish: Five-stage iron phosphate pretreatment assures superior paint adhesion and rust resistance.

Painted parts finished with high-gloss, high-reflectivity baked white polyester enamel (low VOC).

OPTICS — Curved prismatic diffuser with linear side prisms and highly transmissive overlay minimizes lamp image and provides high-angle brightness control. Luminous end plates soften appearance for improved aesthetics.

ELECTRICAL — Long-life LEDs, coupled with high-efficiency drivers, provide extended service life. 90% LED lumen maintenance at 60,000 hours (L90/60,000).

LED drivers deliver dimming from 0-10V control signal.

LISTINGS — CSA certified to U.S. and Canadian standards. Damp listed.

DesignLights Consortium® (DLC) qualified product. Not all versions of this product may be DLC qualified. Please check the DLC Qualified Products List at www.designlights.org/QPL to confirm which versions are qualified.

WARRANTY — 5-year limited warranty. Complete warranty terms located at www.acuitybrands.com/CustomerResources/Terms_and_conditions.aspx

Note: Actual performance may differ as a result of end-user environment and application.

All values are design or typical values, measured under laboratory conditions at 25 °C.

Specifications subject to change without notice.

Catalog Number
Notes
Type F

Contractor Select

LBL LED Low-Profile Curved-Basket LED Wraparound

2' and 4'
LED



Specifications

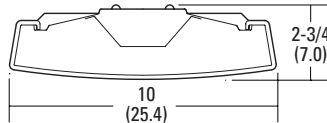
Length: 24 (61.0)

48 (122.0)

Width: 10 (25.4)

Depth: 2-3/4 (7.0)

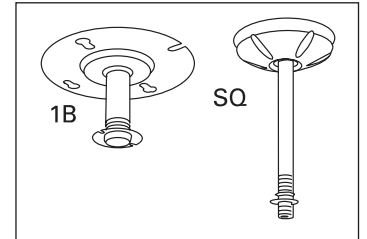
All dimensions are inches (centimeters) unless otherwise indicated.



MOUNTING DATA

Individual Installation —
Two single-stem hangers required.

Row Installation —
One hanger per fixture plus one row required.



ORDERING INFORMATION

See LBL Configurable specification sheet for additional lumen packages and control options.

Catalog number	UPC	Description	Lumens	Color temperature	Lens type	Voltage	Wattage ²	Pallet qty	Standard carton qty.
LBL2 LP835 ¹	753573917564	2' LED Wraparound	2,248	3500 K	Patterned #12 acrylic	120-277	23	112	1
LBL2 LP840 ¹	753573917595	2' LED Wraparound	2,267	4000 K	Patterned #12 acrylic	120-277	23	112	1
LBL4 LP835 ¹	753573917601	4' LED Wraparound	4,564	3500 K	Patterned #12 acrylic	120-277	41	56	1
LBL4 LP840 ¹	753573917632	4' LED Wraparound	4,600	4000 K	Patterned #12 acrylic	120-277	41	56	1
LBL4 347 LP835	753573917649	4' LED Wraparound	4,564	3500 K	Patterned #12 acrylic	347	41	56	1
LBL4 347 LP840	820476010279	4' LED Wraparound	4,600	4000 K	Patterned #12 acrylic	347	41	56	1

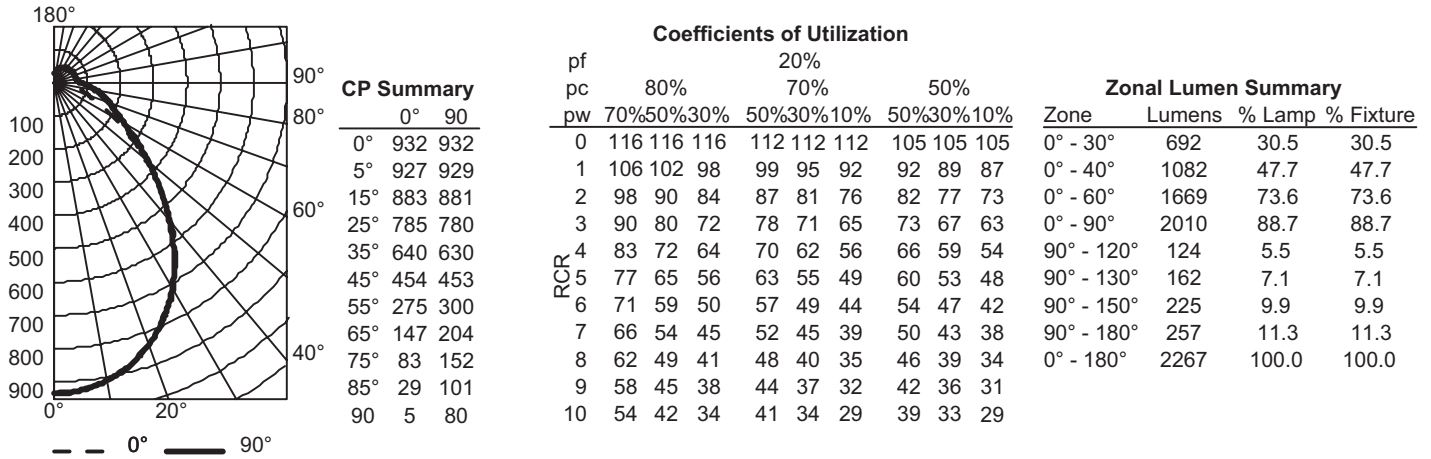
Notes

- Product in stock.
- All values are design or typical values, measured under laboratory conditions at 25°C.

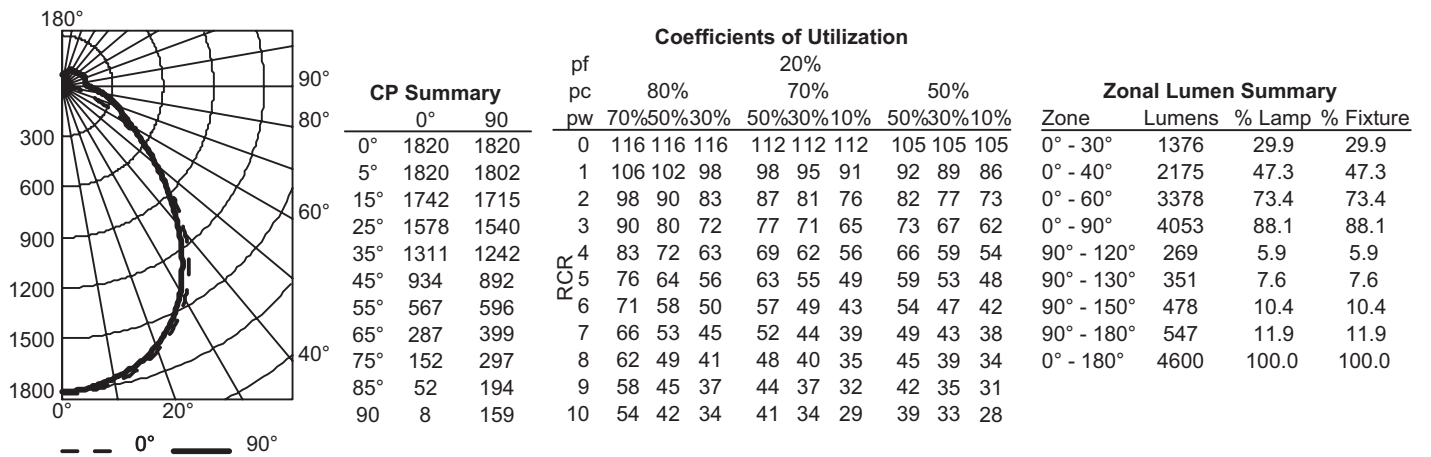
LBL Low Profile LED Wraparound

PHOTOMETRICS

LBL2 LP840, 2266.8 delivered lumens, test no. LTL27384P5, tested in accordance to IESNA LM-79.



LBL4 LP840, 4600.4 delivered lumens, test no. LTL27386P25, tested in accordance to IESNA LM-79.



STEEL NBC2010 Compliant

 **Approvals:**
CSA Certified to C22.2 #141 and C860



DESCRIPTION

The clean lines of the RPST series of commercial steel signs present a fully modern appearance. The steel provides for a rigid, durable and lightweight sign. Available in AC only, AC/DC and internally self-powered versions.

CIRCUITRY - AC & AC/DC

- LED ultra bright light source
- 120/347VAC Input, field selectable
- 1.9W power consumption single or double face
- Emergency DC wattages as follows:
6VDC = 0.9W 12VDC = 0.9W 24VDC = 0.9W

CIRCUITRY - SELF-POWERED

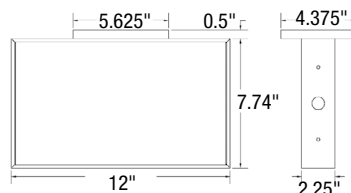
- LED ultra bright light source
- 120/347VAC Input, field selectable
- 2.0W power consumption single or double face
- High-performance, Ni-Cad battery
- 90 or 120 minutes emergency duration
- Solid state transfer and battery charger

MECHANICAL

Supply and install AimLite Steel LED Running Man sign in accordance with NBC2010, C22.2 No. 141. The equipment shall operate with universal AC input of 120/347V at less than 2.0W and universal DC input voltage from 6V to 24V. The housing shall be constructed of rugged steel and have a maximum depth of 2-1/4". The faceplates shall be open face type with a steel contour. The light source shall be high performing light emitting diodes (LED) and the LED lamps shall provide illumination in normal and emergency operation and shall be mounted inside the Running Man housing. A white LED sensitive diffuser shall be used to provide an evenly illuminated green and white legend.

The Running Man in a self powered configuration shall be equipped with a nickel cadmium battery and shall stay illuminated during emergency operation for at least 90 or 120 minutes upon AC fail.

DIMENSIONS



Comes standard (single face) with three pictogram legends for direction selection.



Comes standard (double face) with two pictogram legends.



For double face no arrow options, select "0" on the options column.

ORDERING GUIDE

RPST		M			
Series	Nbr of faces	Mounting	Colour	DC Voltage	Options†
RPST	U - Universal faces 1 - Single face 2 - Double face Refer to drawing	M - Universal	WHT - White (standard) BLK - Black GRY - Grey CUS - Custom colour (please specify)	NDC - AC only UNVDC - Universal DC backup voltage from 6 to 24VDC BAT - Self-powered for 90 minutes BAT1 - Self-powered for 120 minutes	ATD* , WRG** , VRG , K5 , LXG , SPW , BKO , BNO 0 - No indicators (double face only) ↓ ↑ ↖ ↗ ↘ ↙ D U UR DR DL UL Note: Indicators option available for single & double option only.

† For detailed options descriptions, please consult the options page.
* ATD available with BAT and BAT1.
** Specify mounting.