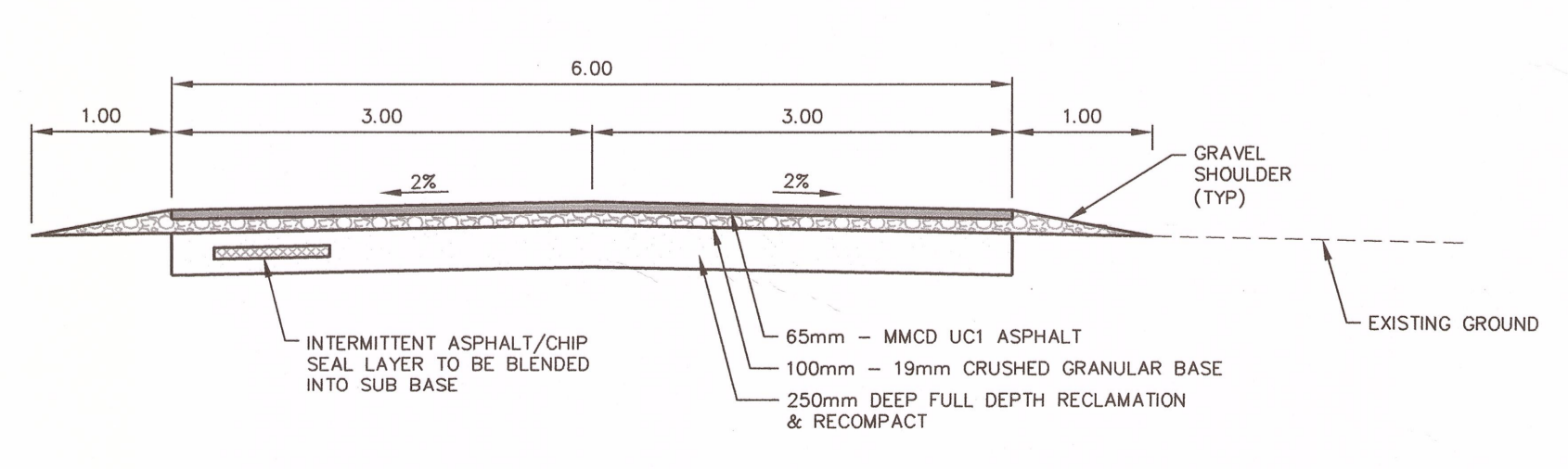
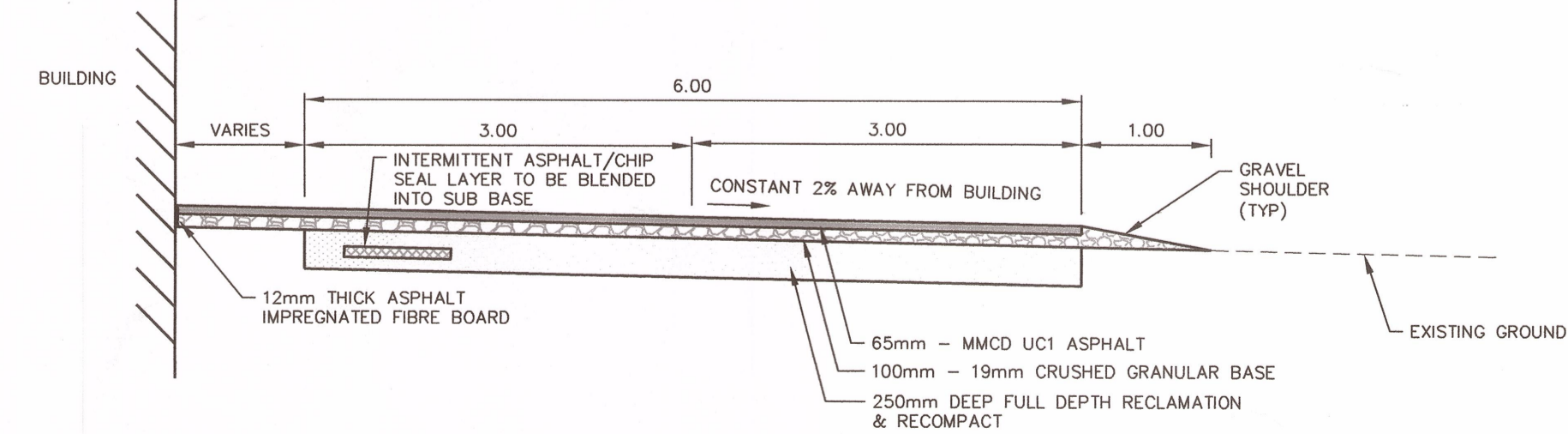


**LEGEND**

- SANITARY SEWER
- ELECTRICAL
- COMMUNICATIONS
- WATER
- GAS
- DRAINAGE
- 65mm MMCD UC1 ASPHALT  
100mm GRANULAR BASE
- 65mm MMCD UC1 ASPHALT  
150mm GRANULAR BASE
- GRAVEL FEATHERING
- EXISTING GRADE ELEVATION
- PROPOSED GRADE ELEVATION



**TYPICAL CROSS SECTION**  
SCALE 1:50



**TYPICAL CROSS SECTION AT BUILDING**  
SCALE 1:50

1	Jan/16	ISSUED FOR TENDER	AK	DC
Date	Description	Drawn by Dessiné par	Approved Approuvé	
Revision / Revision				

A B	Detail number Sheet number	A Numéro de detail B Numéro de la feuille
Linear dimensions in millimetres		Dimensions linéaires en millimètres

Consultant's Name  
Nom de l'expert-conseil

**PARSONS**

Eng. Stamp  
Sceau de l'ingénieur

**D. G. CHALMERS**

JAN 21 2016

Public Works and Government Services Canada  
Travaux publics et Services gouvernementaux Canada

Real Property Services For Parks Canada  
Services immobiliers pour Parcs Canada



Client/client

PACIFIC AGRI-FOOD RESEARCH CENTRE  
AGASSIZ, BC

Project title/Titre du projet

**AGRICULTURAL RESEARCH CENTRE  
AGASSIZ, B.C.  
SERVICE ROAD PAVING**

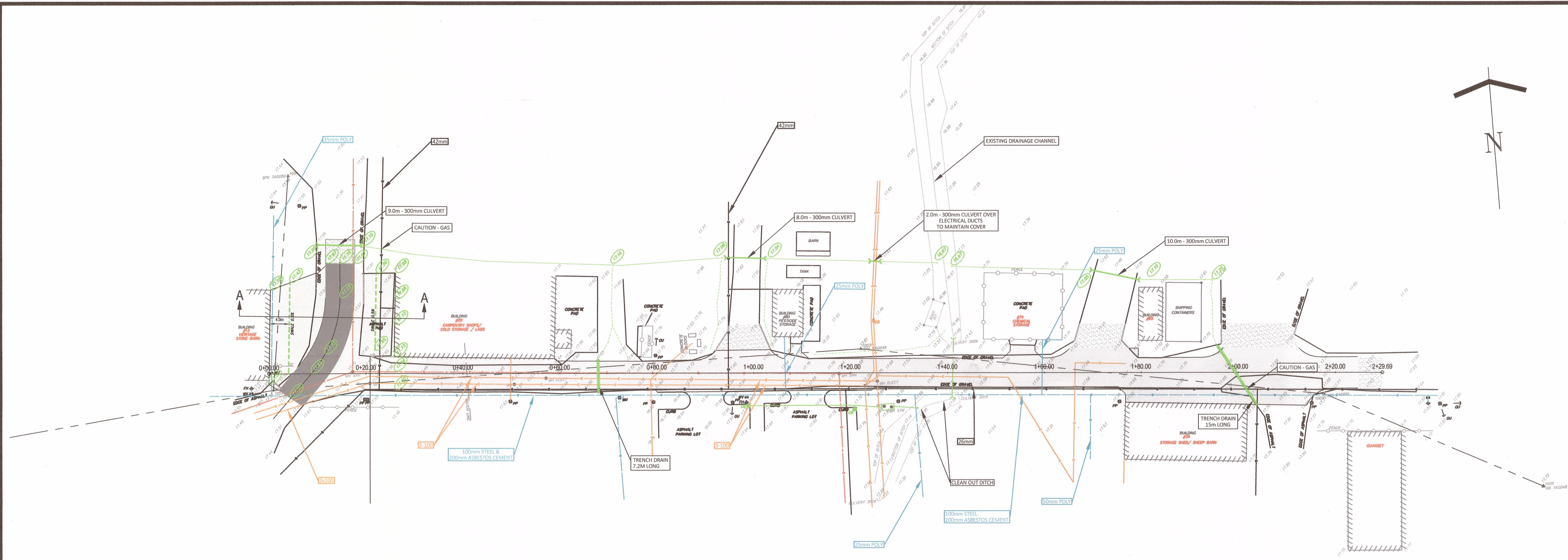
Drawing title/Titre du dessin

**AGASSIZ SERVICE  
ROAD PAVING**

Surveyed by/Arpenté par AXIS SURVEY	Drawn by/Dessiné par A.KWATKOWSKI	Date JANUARY 2016
Designed by/Concept par D.CHALMERS	Reviewed by/Revisé par R. FOXTON	Scale/Echelle H=1: 500 V=1: 50
Client Acceptance/Acceptation du client		Approved by/Approuvé par
RESPONSIBLE OFFICER/AGENT RESPONSABLE	Date	A & E SERVICES/GÉNIE ET ARCHITECTURE
Project No./N° du projet R.078803.001	Asset No./N° du-bien ASSET NO.	Sheet No./N° de la feuille <b>SHEET 1</b>
Drawing Reference No./N° de référence du dessin		

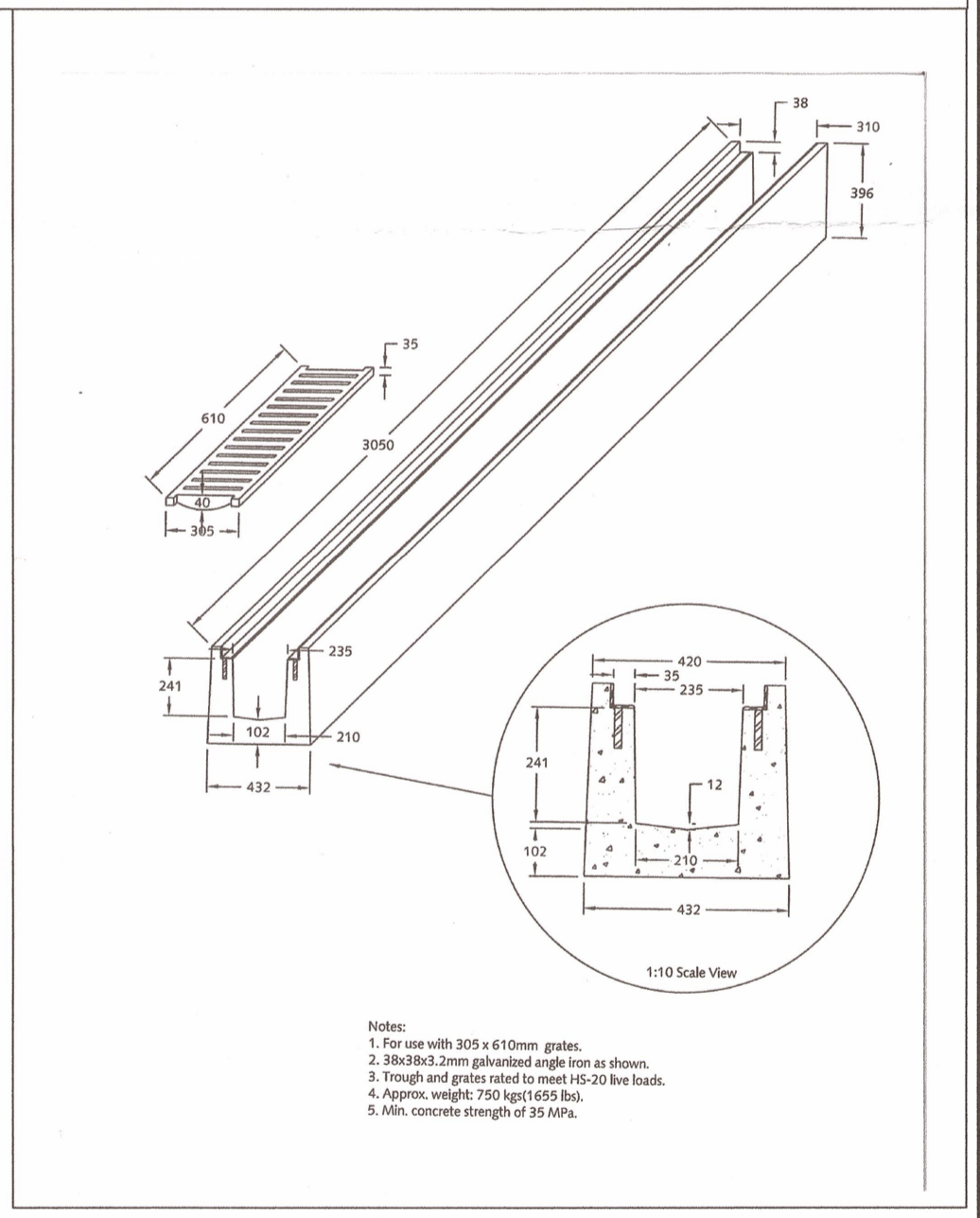
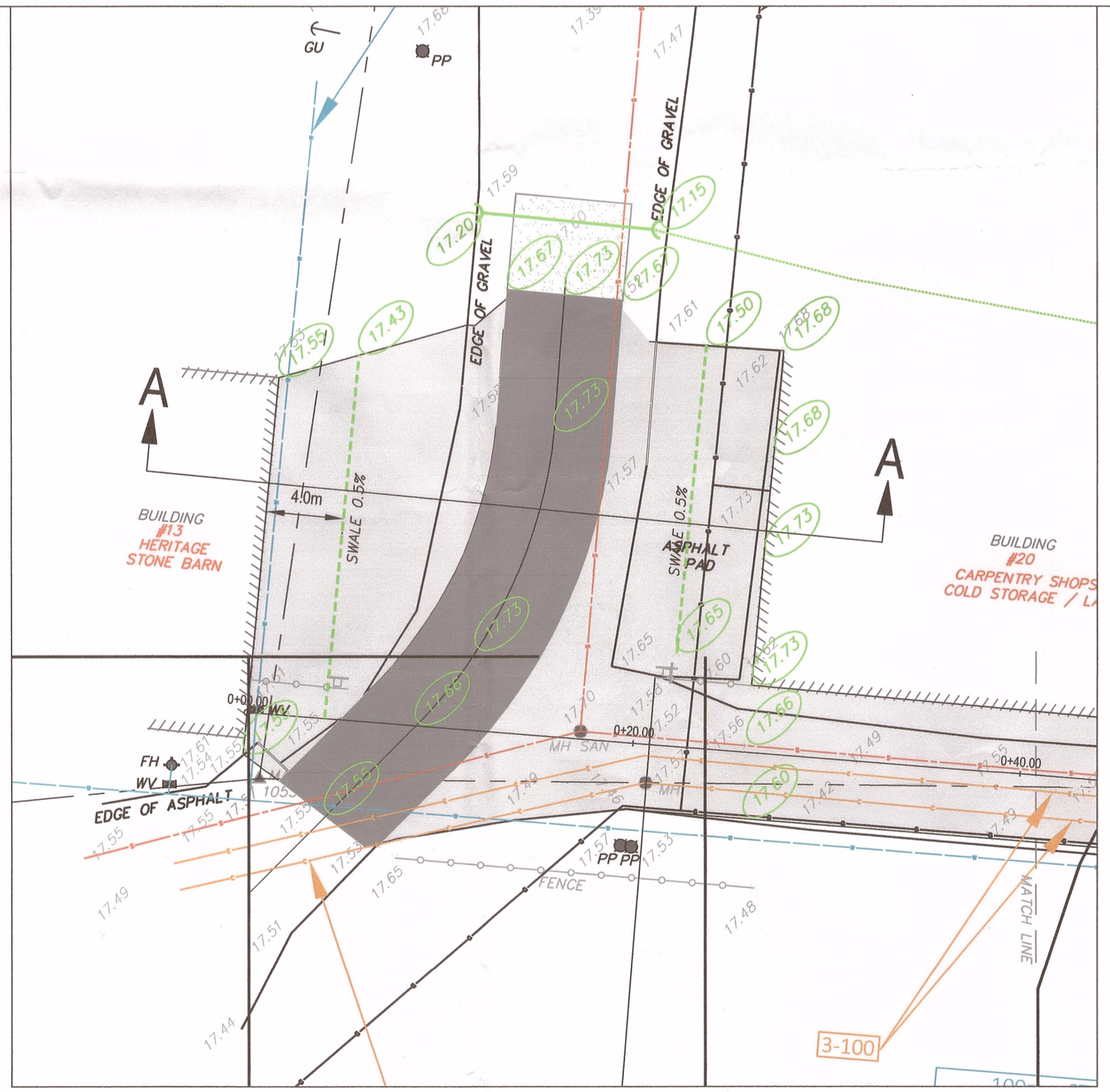
D:\V\602929 PWSC FT LANGLEY, AGASSIZ, GEORGIA CANNERY\AGASSIZ SERVICE ROAD PAVING - 001.DWG, PLOTTED ON 2016/01/21 3:56pm





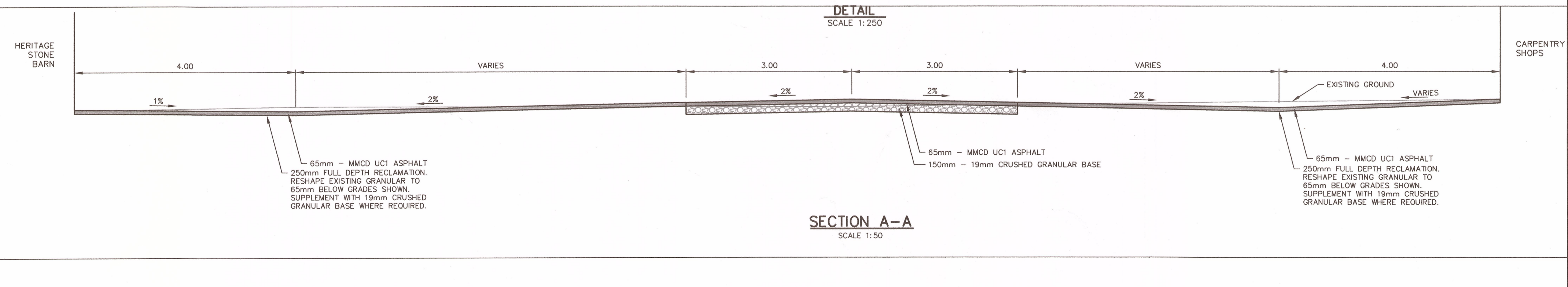
**NOTES:**

- CONTRACTOR TO HAND DIG UTILITY CROSSINGS PRIOR TO CONSTRUCTING DRAINAGE DITCHES AND SWALES.
- ALL DISTURBED AREAS TO BE HAND SEEDED AT COMPLETION OF EXCAVATION.
- PROVIDE MINIMUM 150mm COVER OVER CULVERTS BY RAISING ROAD.
- CULVERTS SHALL BE 300mm HEAVY WALL HDPE OR BOSS 2000.



**LEGEND**

- SANITARY SEWER
- ELECTRICAL
- COMMUNICATIONS
- WATER
- GAS
- DRAINAGE
- DENOTES SPOT ELEVATION
- GRAVEL FEATHERING
- EXISTING GRADE ELEVATION
- PROPOSED GRADE ELEVATION
- PROPOSED CULVERT
- PROPOSED TRENCH DRAIN
- PROPOSED DRAINAGE DITCH
- PROPOSED DRAINAGE SWALE



1	Date	ISSUED FOR TENDER	RL	DC
	Date	Description	Drawn by Dessiné par	Approved Approuvé
Revision / Revision				

A	Detail number	A Numéro de détail
B	Sheet number	B Numéro de la feuille

Linear dimensions in millimetres / Dimensions linéaires en millimètres

Consultant's Name / Nom de l'expert-conseil: **PARSONS**

Eng. Stamp / Sceau de l'ingénieur: **D. G. CHALMERS**

Date: **JAN 21 2016**

Public Works and Government Services Canada / Travaux publics et Services gouvernementaux Canada

Real Property Services For Parks Canada / Services immobiliers pour Parcs Canada

**Canada**

Client/client: **PACIFIC AGRI-FOOD RESEARCH CENTRE AGASSIZ, BC**

Project title/Titre du projet: **AGRICULTURAL RESEARCH CENTRE AGASSIZ, B.C. SERVICE ROAD PAVING**

Drawing title/Titre du dessin: **AGASSIZ SERVICE ROAD DRAINAGE**

Surveyed by/Arpenté par: <b>AXIS SURVEY</b>	Drawn by/Dessiné par: <b>R. LARIN</b>	Date: <b>JANUARY, 2016</b>
Designed by/Concept par: <b>D. CHALMERS</b>	Reviewed by/Revisé par: <b>R. FOXTON</b>	Scale/Echelle: <b>1: 500</b>
Client Acceptance/Acceptation du client		Approved by/Approuvé par
Project No./N° du projet: <b>R.078803.001</b>	Asset No./N° du bien: <b>ASSET NO.</b>	Sheet No./N° de la feuille: <b>SHEET 2</b>