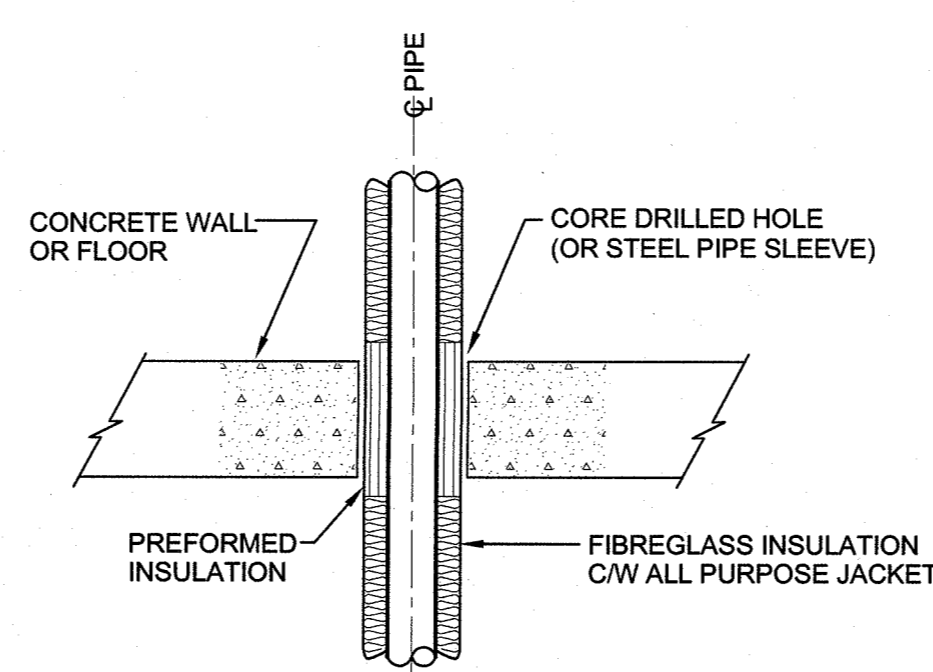
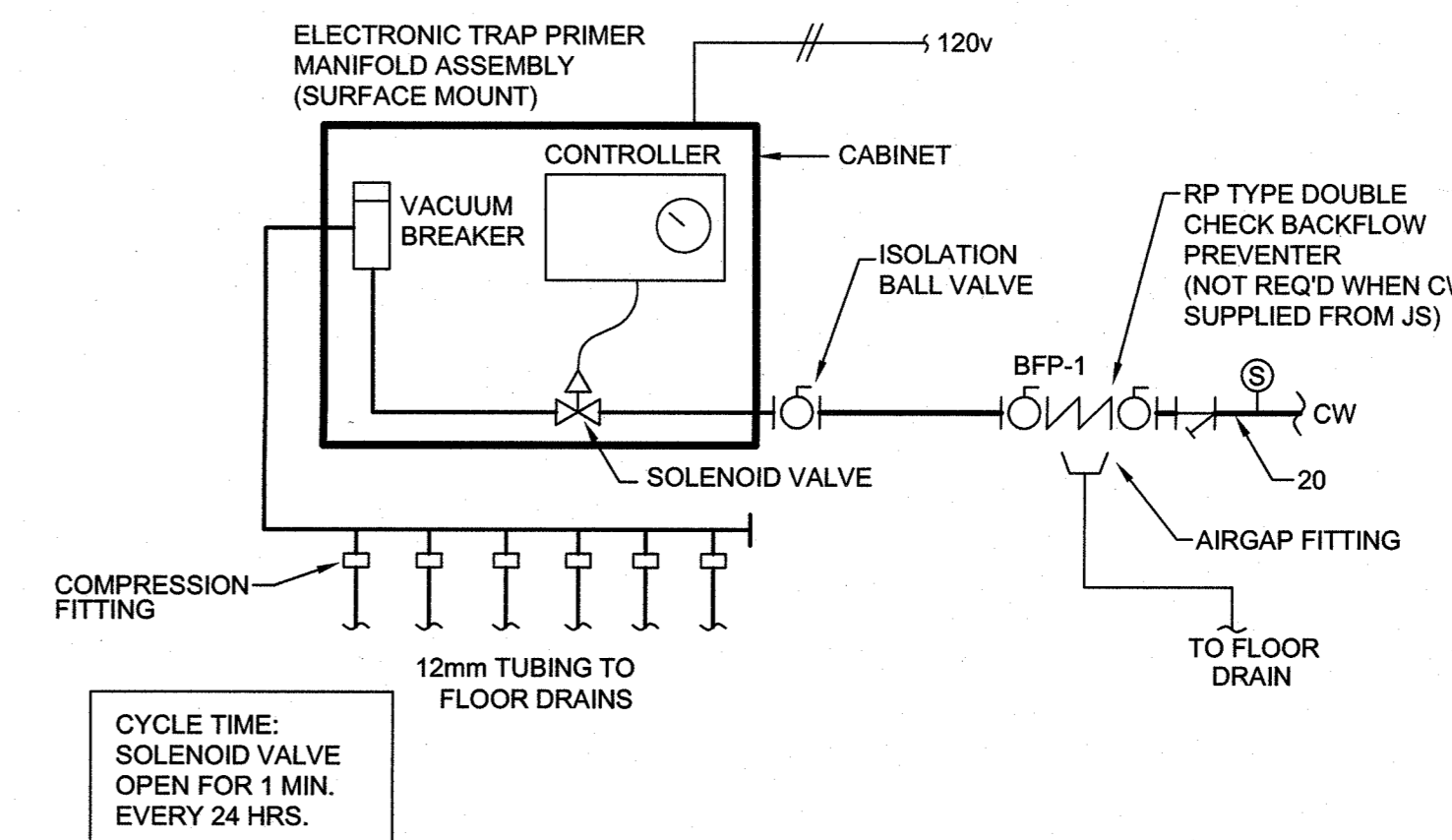


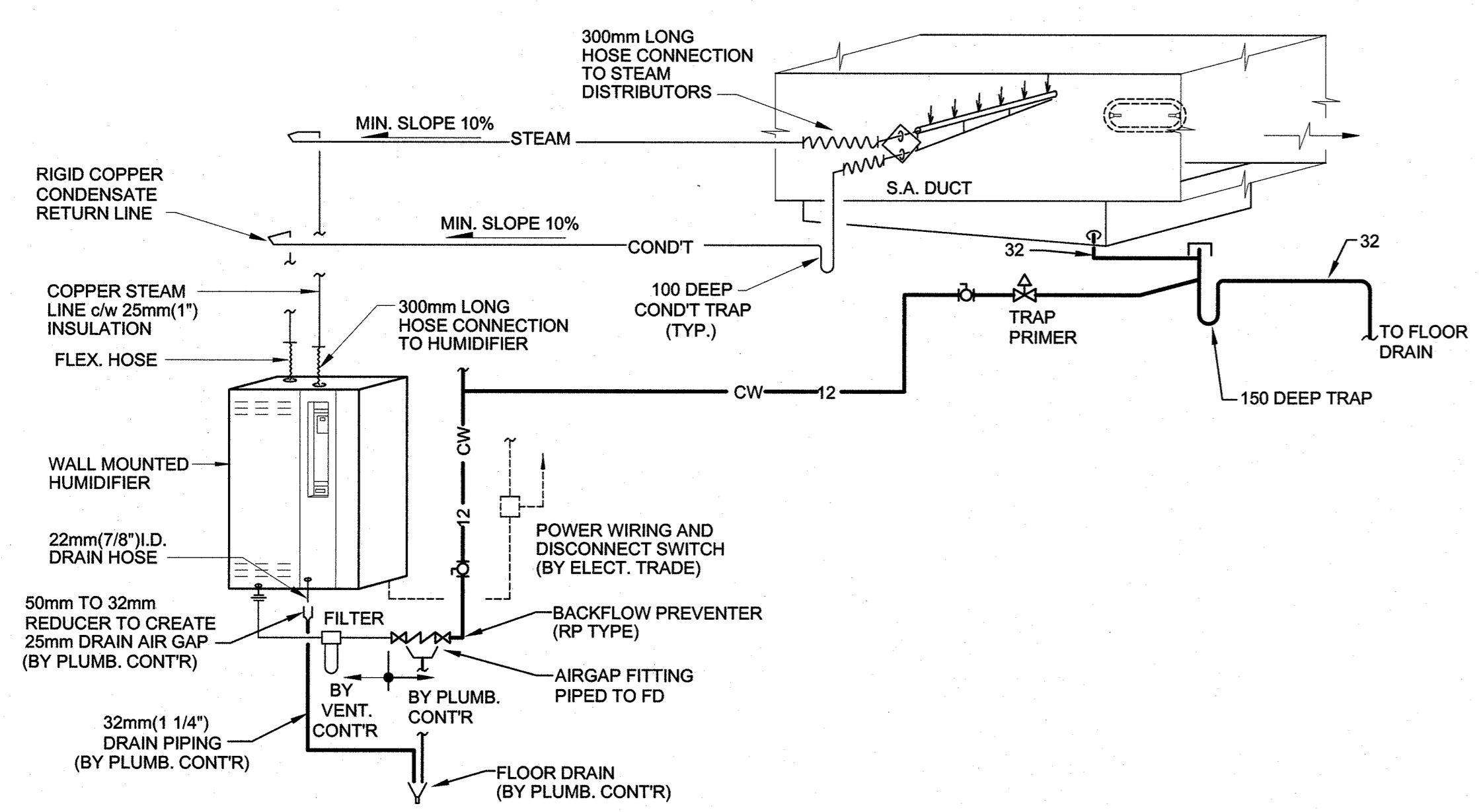
TYPICAL HOLE THRU BLOCK/TILE WALL
NOT TO SCALE



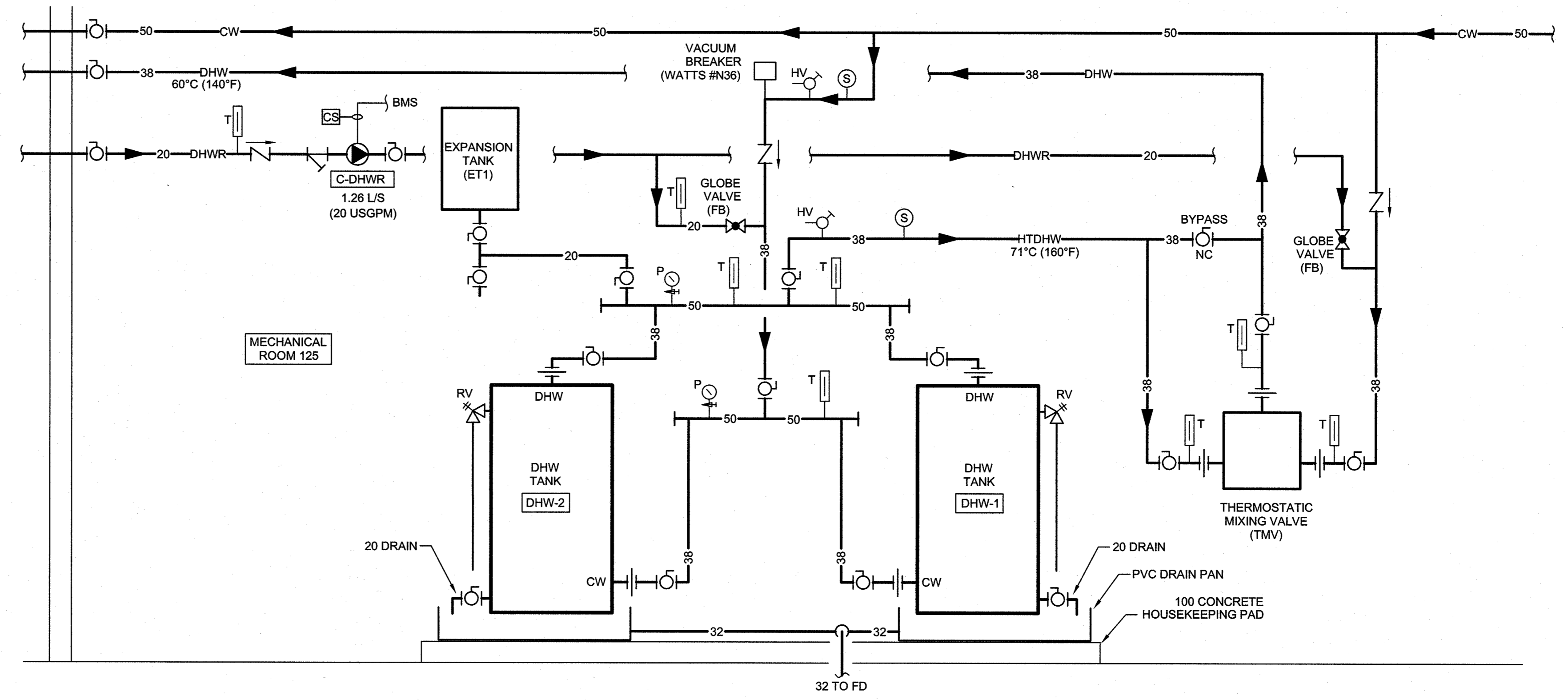
TYPICAL HOLE THRU CONCRETE WALL/FLOOR DETAIL
NOT TO SCALE



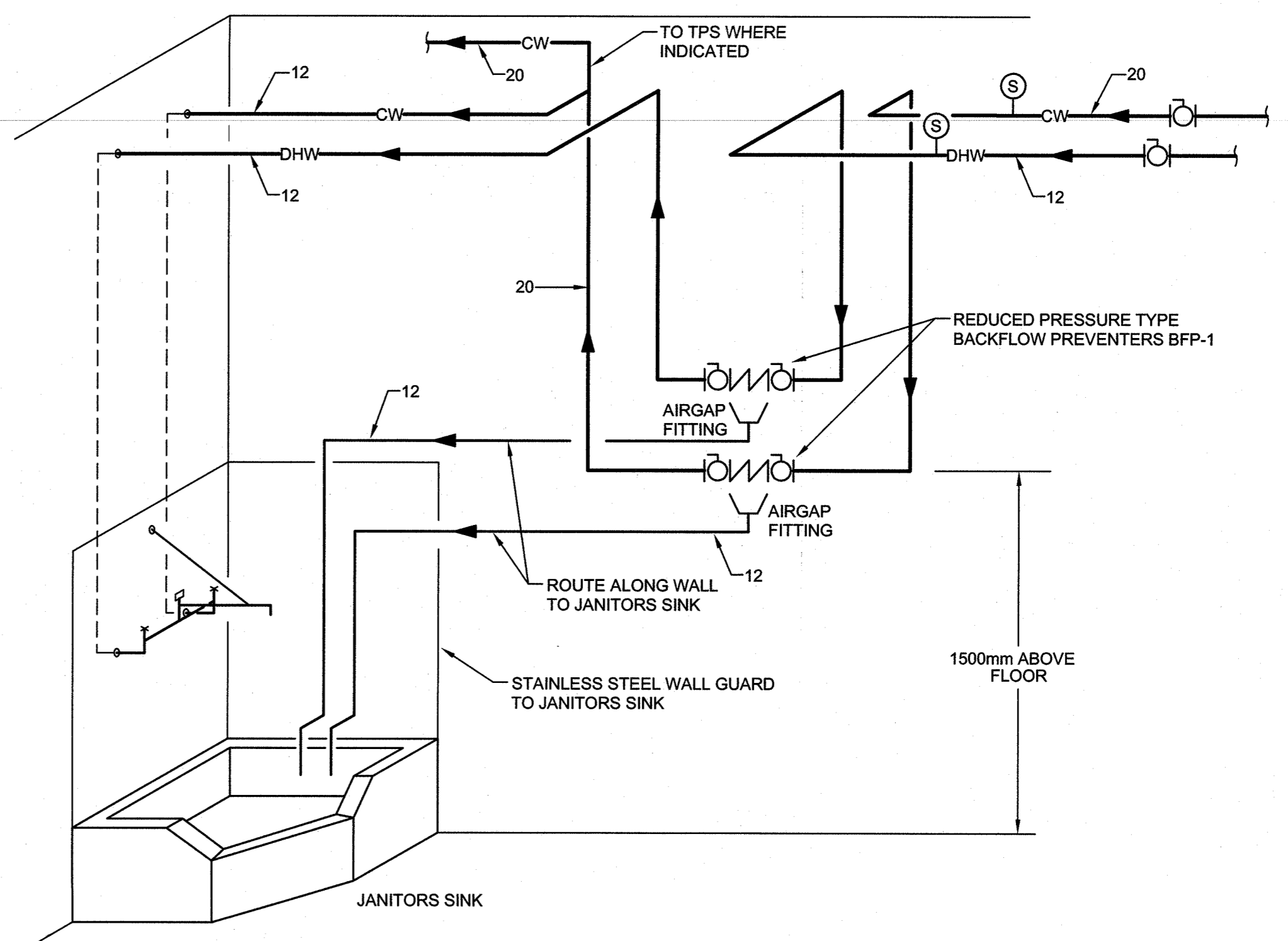
TYPICAL TRAP PRIMER STATION (TPS) PIPING DETAIL
NOT TO SCALE



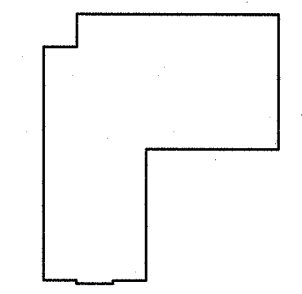
TYPICAL HUMIDIFIER PIPING SCHEMATIC
NOT TO SCALE



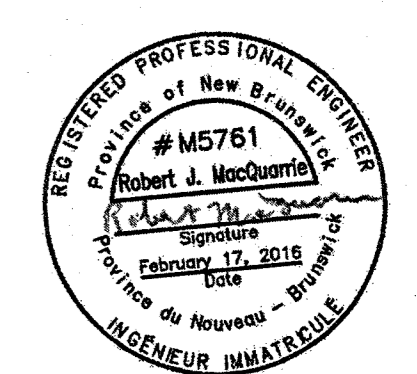
DOMESTIC HOT WATER PIPING SCHEMATIC
NOT TO SCALE



TYPICAL JANITOR'S SINK PIPING DETAIL
NOT TO SCALE



KEY PLAN
SCALE - NTS



0 RELEASED FOR CONSTRUCTION 01/29/2016

NEW
G.O.C.B
SAINT-LÉONARD
NEW BRUNSWICK

PLUMBING DETAILS

designed	RDD	conçu
date	JANUARY 29, 2016	
drawn	RDD	dessiné
date	JANUARY 29, 2016	
approved	DAG	approuvé
date	FEBRUARY 17, 2016	

Project Manager / Administrateur de projet
R.069499.001

drawing no. 2200-3

