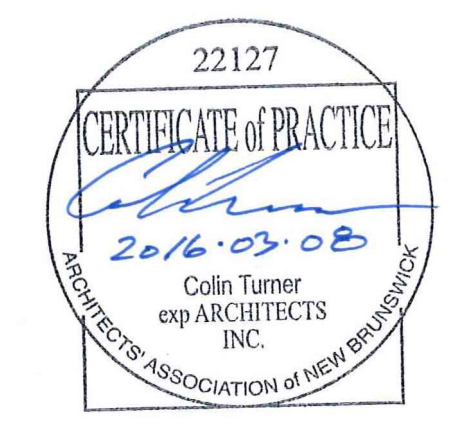


KEY PLAN
 SCALE - NTS



0	RELEASED FOR CONSTRUCTION	03/08/2016
revisions		date

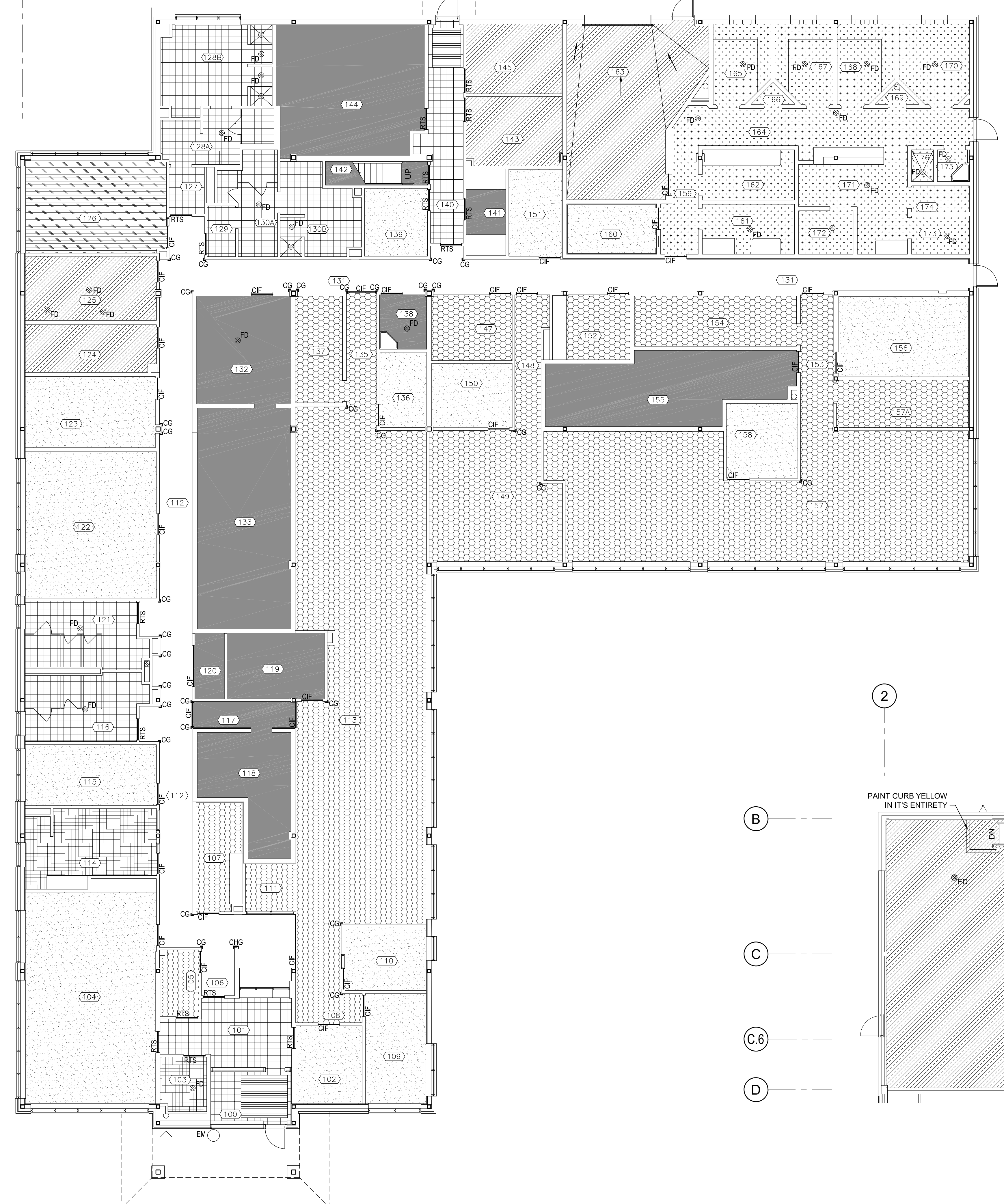
project
NEW G.O.C.B SAINT-LÉONARD NEW BRUNSWICK
 drawing design

FLOORING LAYOUT PLANS

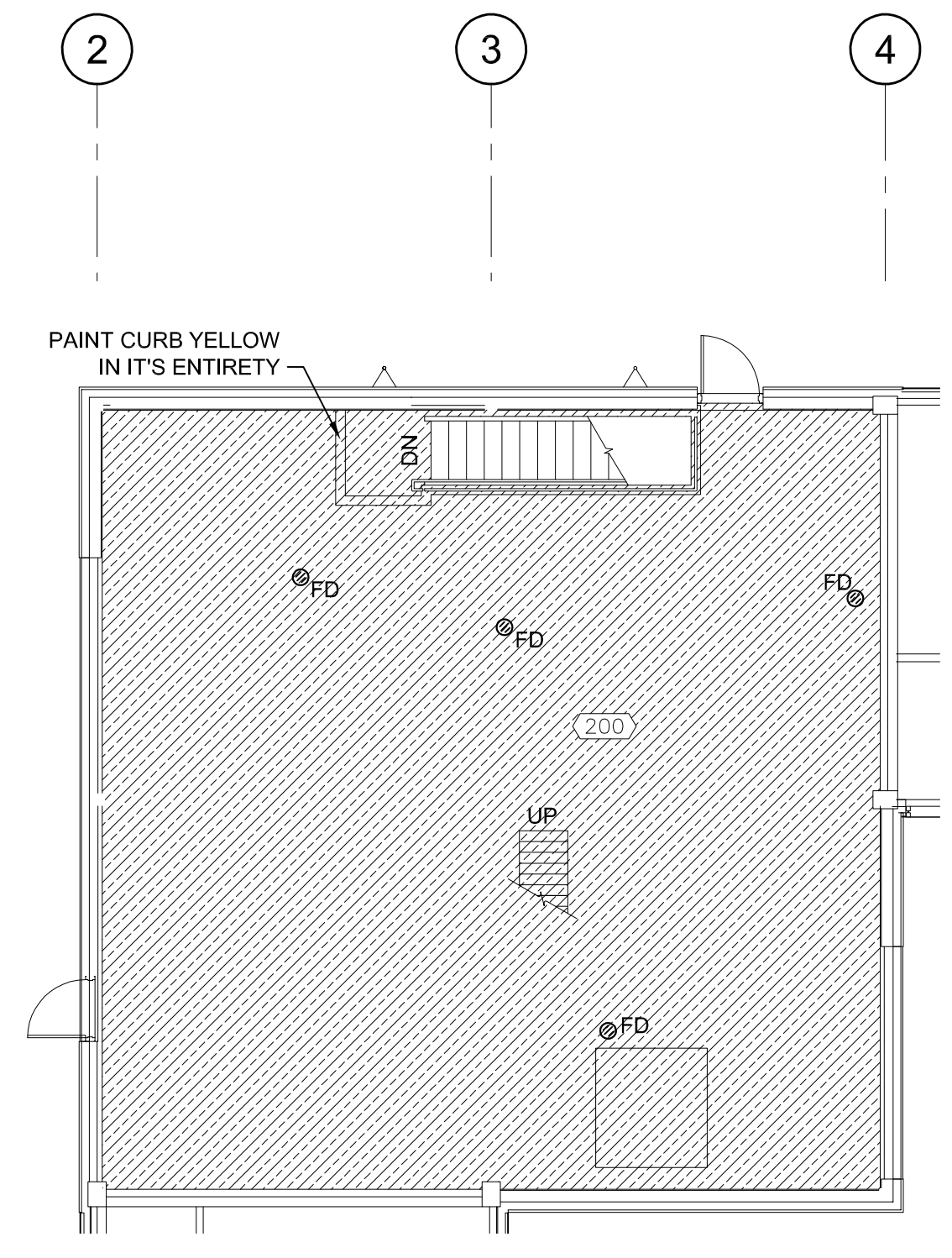
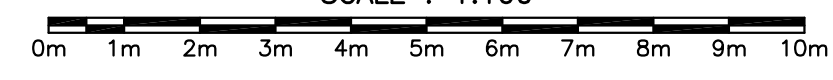
designed	CET	conçu
date	MARCH 08, 2016	
drawn	BCF	dessiné
date	MARCH 08, 2016	
approved	DAG	approuvé
date	MARCH 08, 2016	
Tender		Soumission
PWSC Project Manager	Administrateur de projets TPSGC	
project number	R.069499.001	no. du projet
drawing no.	607-7	no. du dessin

LEGEND

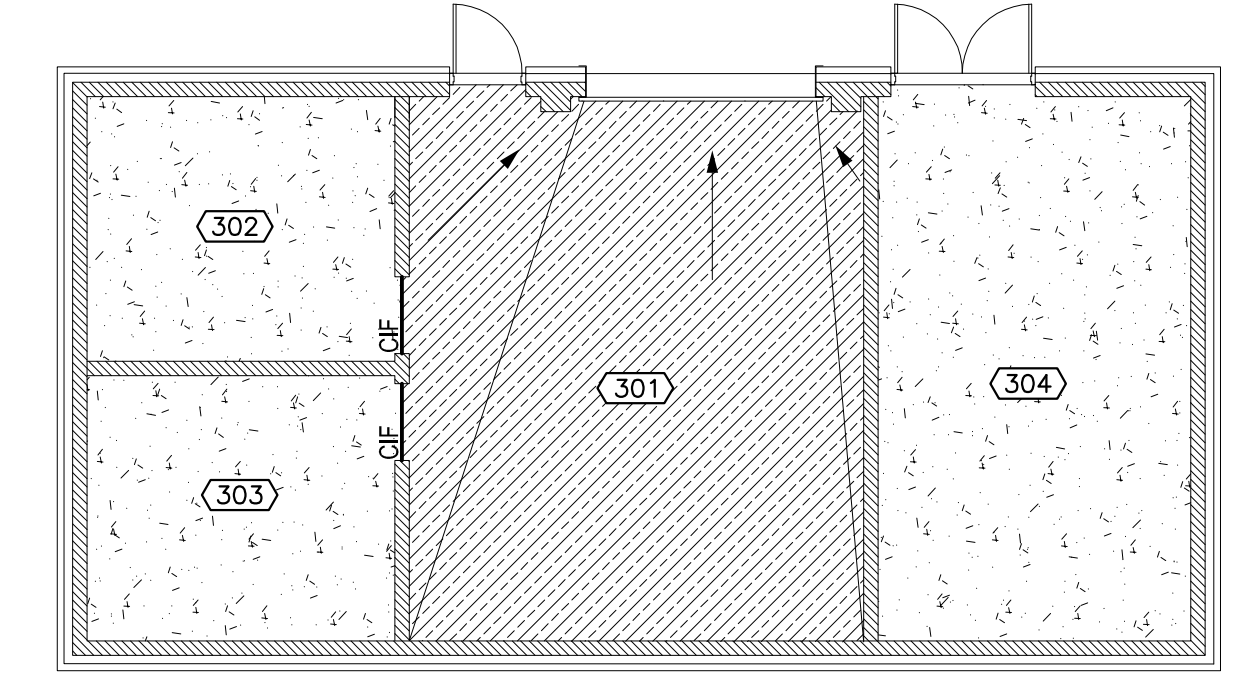
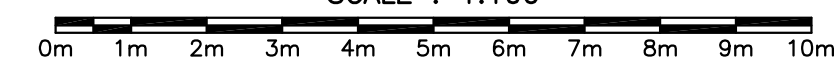
- SHEET VINYL, TYPE 1
- SHEET VINYL, TYPE 2
- SLIP RESISTANT SHEET VINYL
- COMPOSITE TILE
- CARPET TILE
- EPOXY
- SPECIALTY EPOXY
- RUBBER SPORT FLOORING
- CERAMIC / PORCELAIN NON-SLIP
- SEALED CONCRETE
- WALK OFF MAT
- CHANGE IN FLOOR
- REDUCING TILE STRIP
- CORNER GUARD
- CHANNEL GUARD (2200 mm HIGH)



FLOORING LAYOUT PLAN - MAIN LEVEL
 SCALE : 1:100



FLOORING LAYOUT PLAN - PENTHOUSE
 SCALE : 1:100



FLOORING LAYOUT PLAN - DRY STORAGE
 SCALE : 1:100

