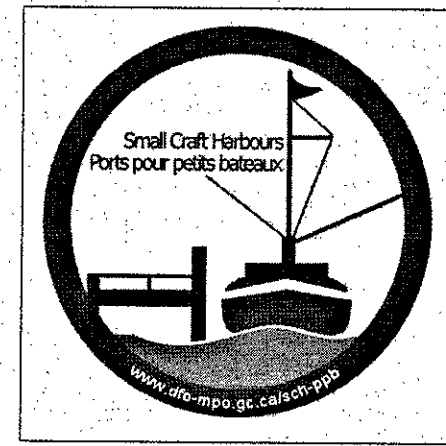




Fisheries and Oceans
Canada

Pêches et Océans
Canada



Small Craft Harbours
Newfoundland Region
St. John's, NL.

Ports Pour Petits Bateaux

PROJECT: WHARF REPAIRS

FRENCHMAN'S COVE, NL

LONG RANGE MOUNTAINS DISTRICT, NEWFOUNDLAND AND LABRADOR

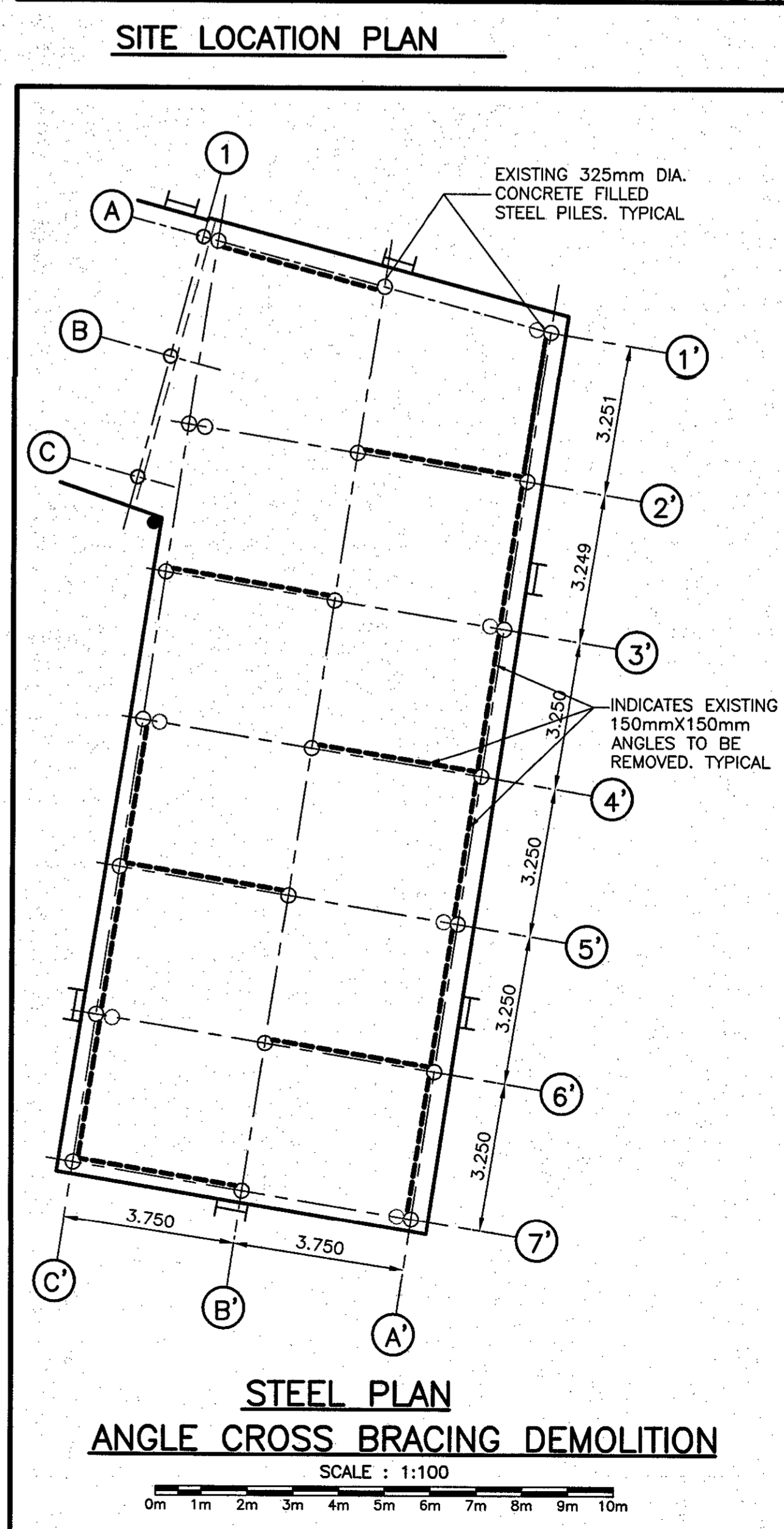
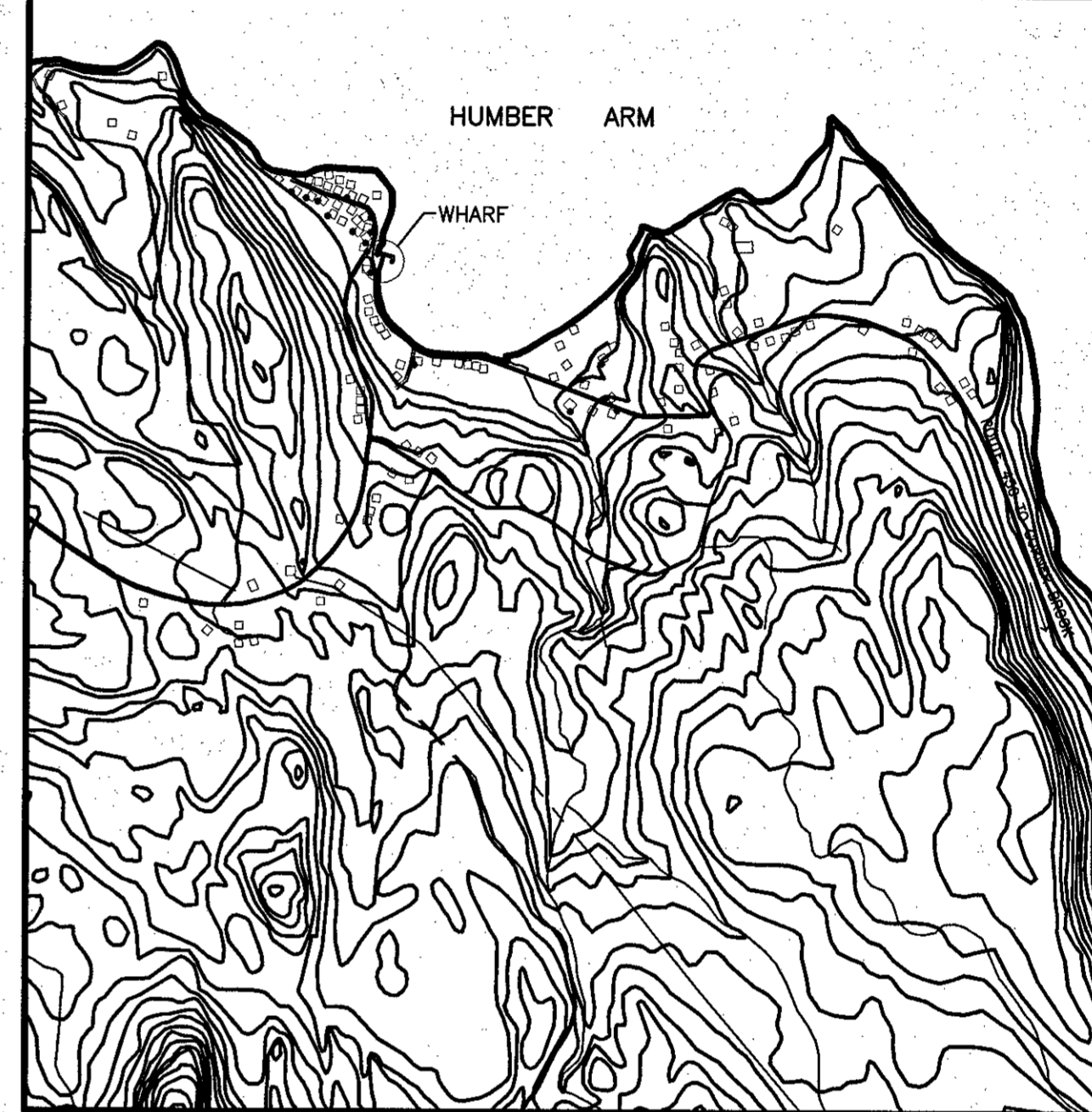
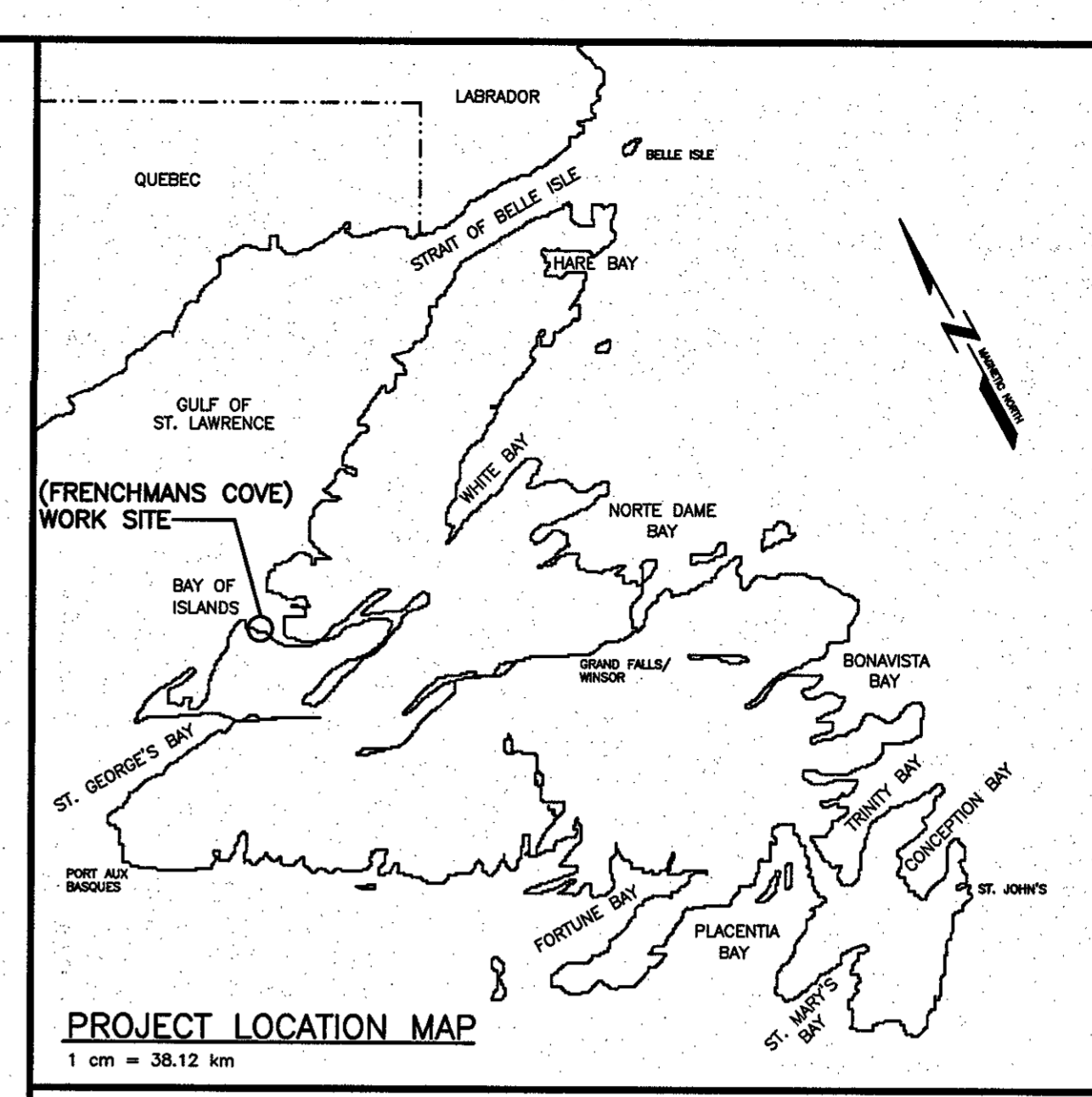
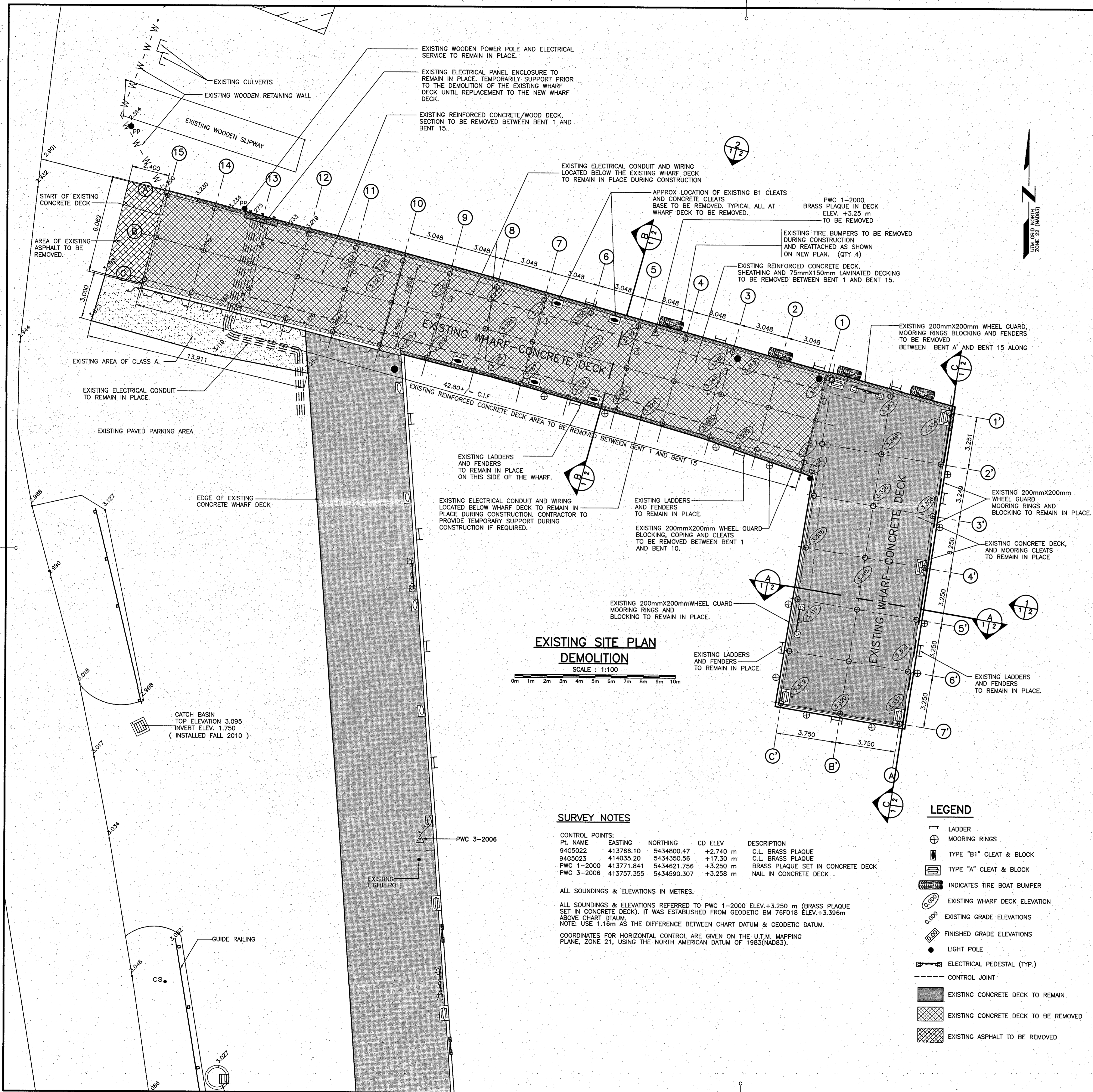
PROJECT NO. 704122

APRIL 2016

DRAWING LIST

DRAWING NO.	TITLE
1 OF 7	PROJECT LOCATION MAP, SITE LOCATION PLAN, EXISTING SITE PLAN, DEMOLITION AND STEEL PLAN
2 OF 7	EXISTING WHARF ELEVATIONS, SECTIONS, AND DEMOLITION
3 OF 7	WHARF LAYOUT PLAN
4 OF 7	WHARF PLAN
5 OF 7	WHARF ELEVATIONS AND SECTIONS
6 OF 7	WHARF SECTIONS AND DETAILS
7 OF 7	MISC. DETAILS





**EXISTING SITE PLAN
DEMOLITION**
SCALE : 1:100

SURVEY NOTES

PL. NAME	EASTING	NORTHING	CD ELEV	DESCRIPTION
94G5022	413766.10	5434800.47	+2.740 m	C.L. BRASS PLAQUE
94G5023	414035.20	5434350.56	+17.30 m	C.L. BRASS PLAQUE
PWC 1-2000	413771.841	5434621.756	+3.250 m	BRASS PLAQUE SET IN CONCRETE DECK
PWC 3-2006	413757.355	5434590.307	+3.258 m	NAIL IN CONCRETE DECK

ALL SOUNDINGS & ELEVATIONS IN METRES.
 ALL SOUNDINGS & ELEVATIONS REFERRED TO PWC 1-2000 ELEV.+3.250 m (BRASS PLAQUE SET IN CONCRETE DECK). IT WAS ESTABLISHED FROM GEODETIC BM 76F018 ELEV.+3.396m ABOVE CHART DATUM.
 NOTE: USE 1.16m AS THE DIFFERENCE BETWEEN CHART DATUM & GEODETIC DATUM.
 COORDINATES FOR HORIZONTAL CONTROL ARE GIVEN ON THE U.T.M. MAPPING PLANE, ZONE 21, USING THE NORTH AMERICAN DATUM OF 1983(NAD83).

LEGEND

- LADDER
- ⊕ MOORING RINGS
- ⊕ TYPE "B1" CLEAT & BLOCK
- ⊕ TYPE "A" CLEAT & BLOCK
- ▬ INDICATES TIRE BOAT BUMPER
- EXISTING WHARF DECK ELEVATION
- EXISTING GRADE ELEVATIONS
- FINISHED GRADE ELEVATIONS
- LIGHT POLE
- ⊕ ELECTRICAL PEDESTAL (TYP.)
- CONTROL JOINT
- ▬ EXISTING CONCRETE DECK TO REMAIN
- ▬ EXISTING CONCRETE DECK TO BE REMOVED
- ▬ EXISTING ASPHALT TO BE REMOVED

Fisheries and Oceans / Pêches et Océans Canada

Small Craft Harbours / Ports Pour Petits Bateaux

PROVINCE OF NEWFOUNDLAND
 PERMIT HOLDER
 ANDERSON ENGINEERING CONSULTANTS LTD.
 To practice Professional Engineering in Newfoundland and Labrador.
 Permit No. 02 issued by APEGGA, 20092.
 Which is valid for the year 2016.

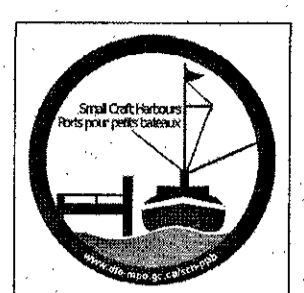
PROFESSIONAL ENGINEER
 W. J. A. CONNOR
 MEMBER OF THE ENGINEERING COUNCIL OF CANADA

ISSUED FOR TENDER	15/04/16
revisions	date
project	project

**WHARF REPAIRS
FRENCHMAN'S COVE, NL**

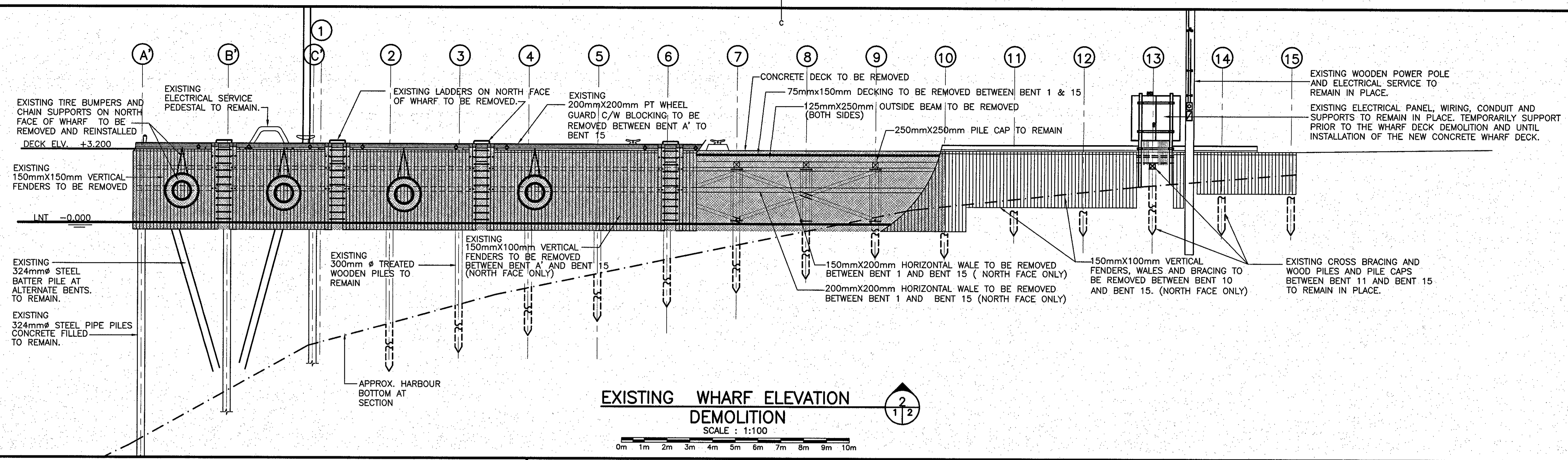
designed W.J.A. congn
 date APRIL 2016
 drawn R.S.H. desgn
 date APRIL 2016
 approved
 approved
 date
 Tender Paul Connor Soumission
 PWGSC Project Manager Administrateur de projets TPSSC
 project number no. du projet
704122
 drawing no. no. du dessin
1 of 7

E-DRM/GDD-E

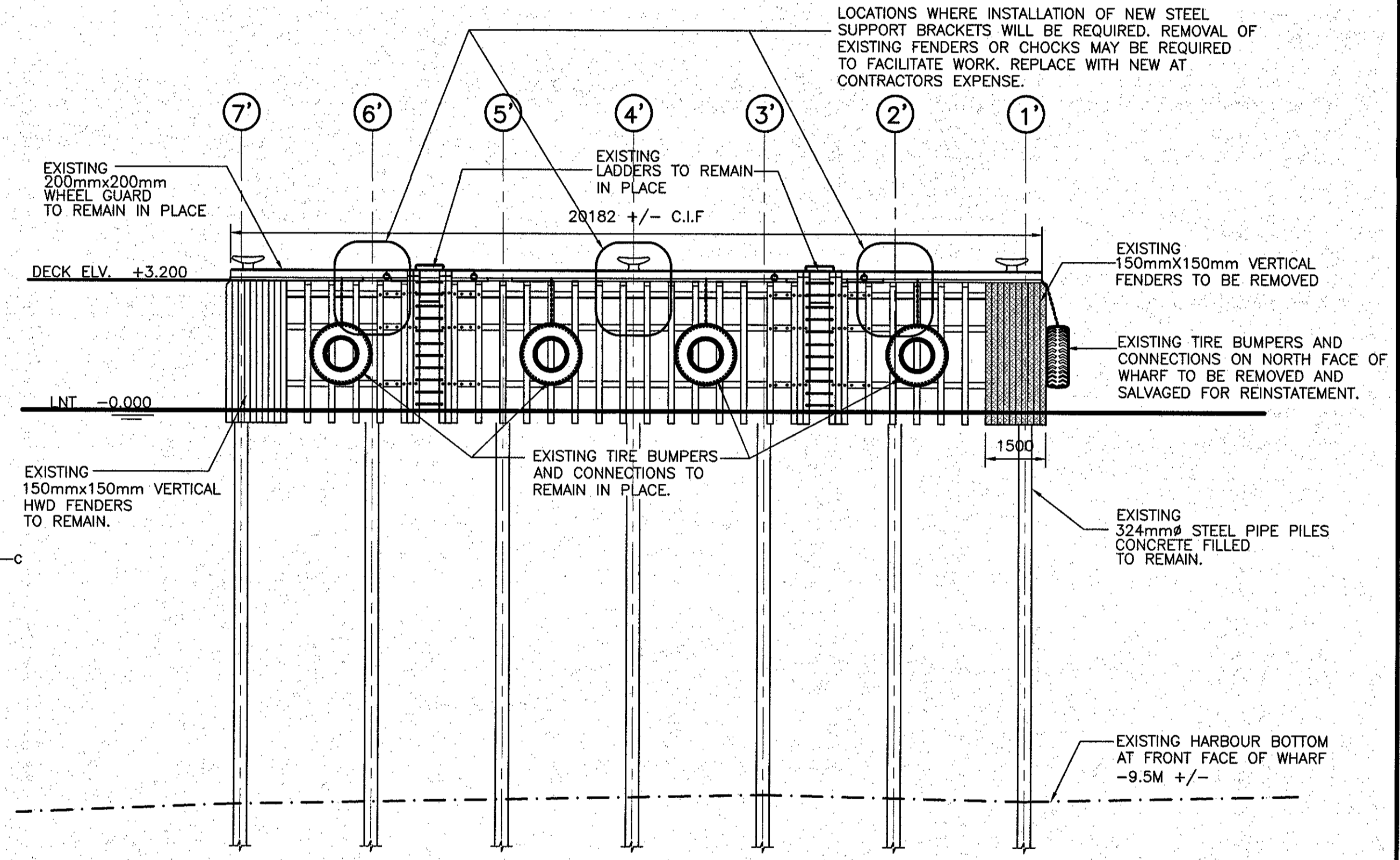


Small Craft Harbours / Ports Pour Petits Bateaux

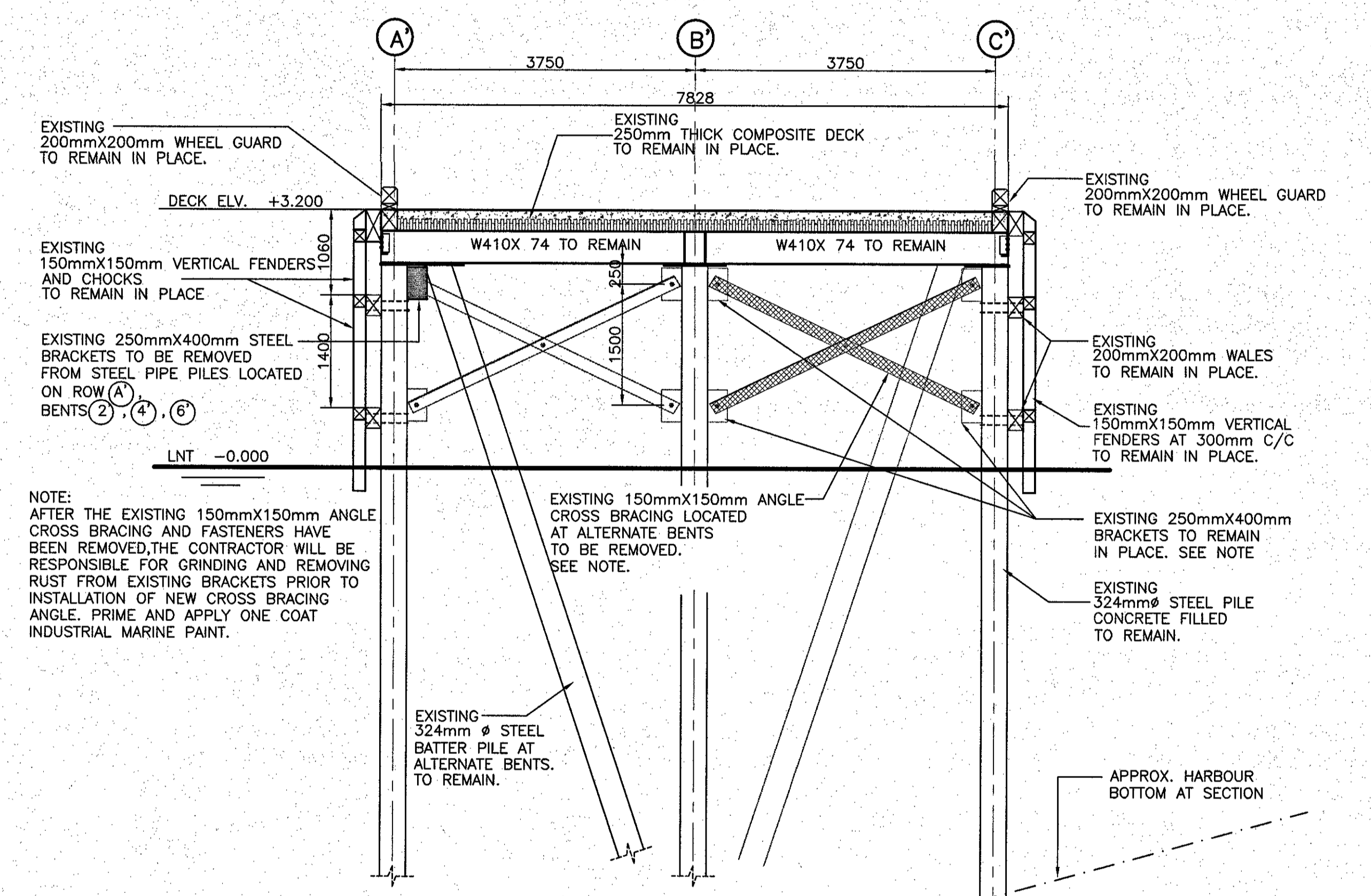
PROVINCE OF NEWFOUNDLAND
PERMIT HOLDER
 The Permit Allows
 ANDERSON ENGINEERING CONSULTANTS LTD.
 To practice Professional Engineering
 in Newfoundland and Labrador,
 Permit No. as issued by APPEL 20022,
 which is valid for the year 2014.



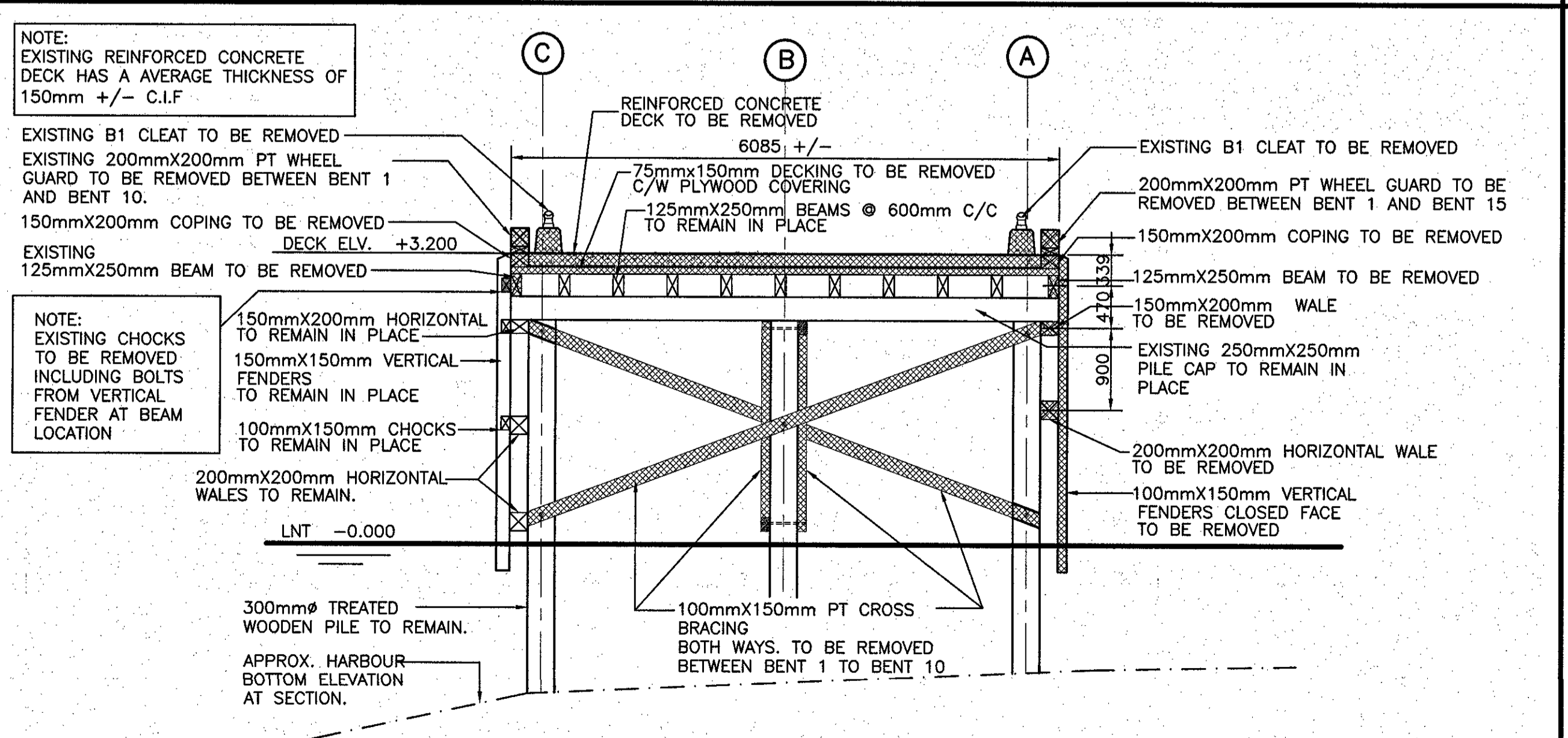
EXISTING WHARF ELEVATION DEMOLITION
 SCALE : 1:100



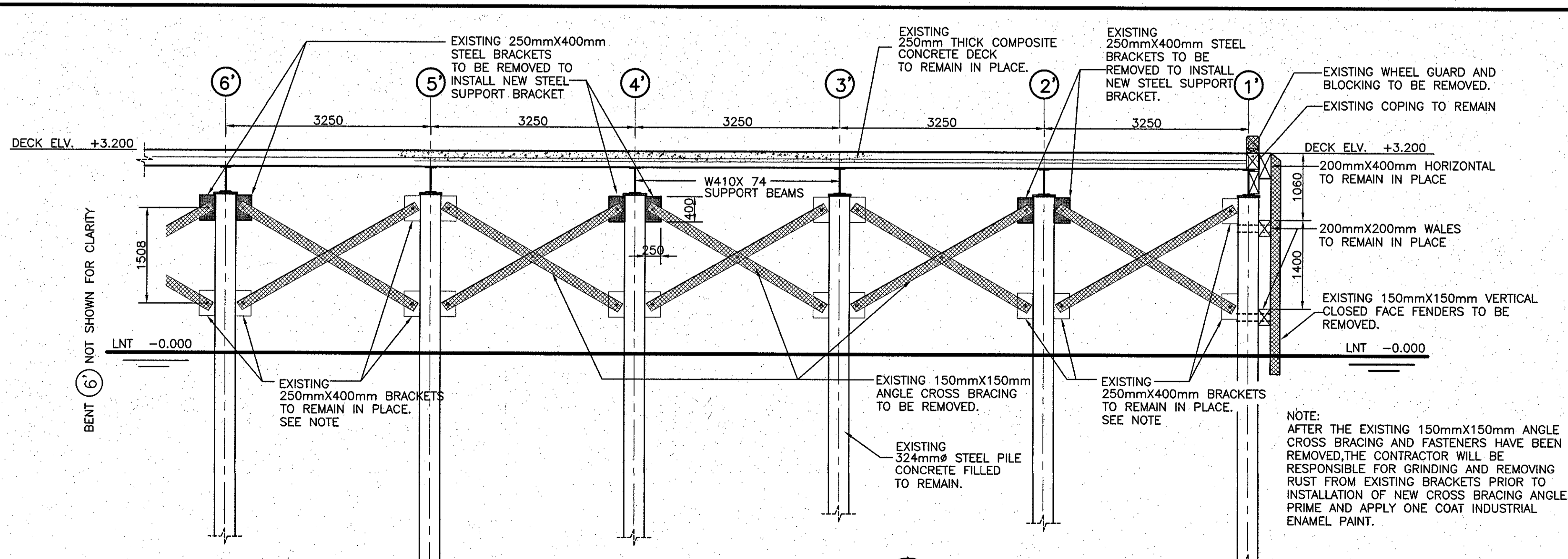
EXISTING WHARF ELEVATION DEMOLITION
 SCALE : 1:100



EXISTING WHARF SECTION DEMOLITION
 SCALE: 1:50

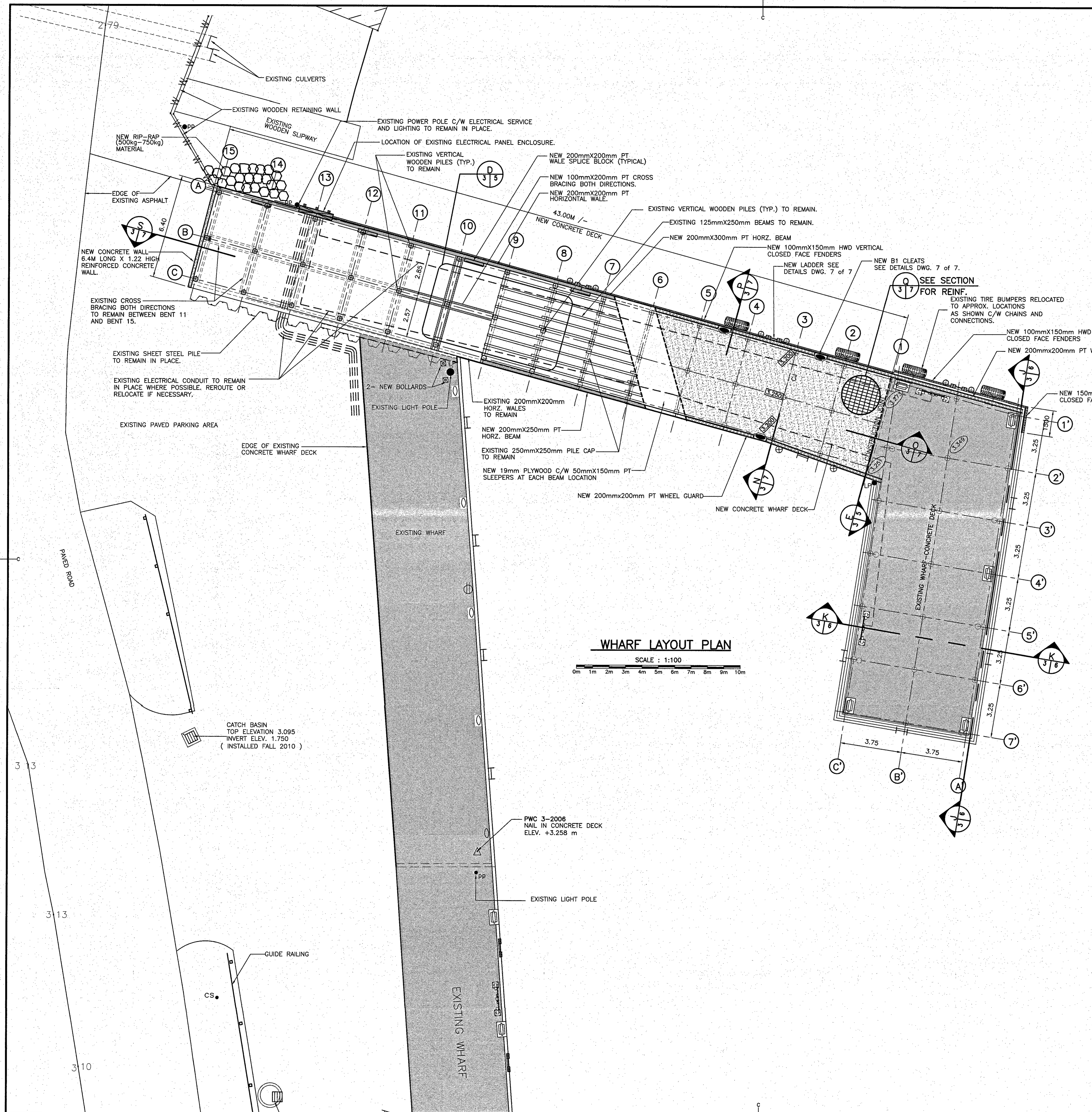


EXISTING WHARF SECTION DEMOLITION
 SCALE: 1:50



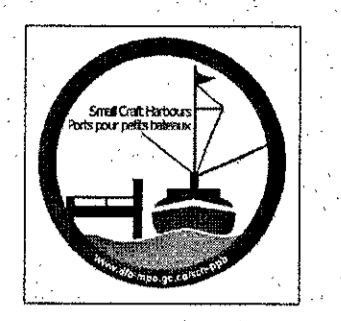
EXISTING WHARF SECTION DEMOLITION
 SCALE: 1:50

ISSUED FOR TENDER	9/1/16
revisions	date
project	project
WHARF REPAIRS FRENCHMAN'S COVE, NL	
EXISTING WHARF ELEVATIONS, SECTIONS AND DEMOLITION	
designed W.J.A	conqju
date APRIL 2014	
drawn R.S.H	desr6
date APRIL 2014	
approved	approved
date	
Tender Paul Curran	Submission
PWSC Project Manager Administrateur de projets TPSC	
project number 710953	no. du projet
drawing no. 2 of 7	no. du dessin



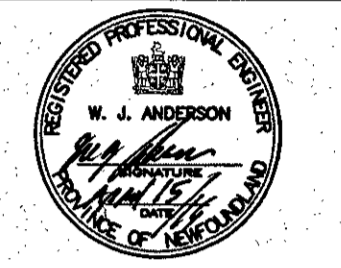
- GENERAL NOTES:**
1. MINIMUM CONCRETE STRENGTH 35 MPa @28 DAYS
 2. REINFORCING STEEL YIELD STRENGTH 400 MPa
 3. REINFORCING STEEL SPLICES SHALL CONFORM TO LATEST EDITION OF CAN 3-A23.1 REINFORCING STEEL TO BE LAPPED MIN. 900mm FOR LONGITUDINAL BARS. REINFORCING STEEL TO BE LAPPED MIN. 600mm FOR TRANSVERSE BARS.
 4. ALL REBAR TO HAVE MIN. COVER OF 75mm.
 5. ALL MACHINE BOLTS TO BE 19 mm Ø (GALVANIZED) OR AS SPECIFIED.
 6. ALL DRIFT BOLTS TO BE 19 mmØ (GALVANIZED) EXCEPT 25mmØ FOR WHEEL GUARD.
 7. ALL LAG SCREWS TO BE GALVANIZED AND SIZED AS PER FOLLOWING:
LADDER UPRIGHTS - 19.0mmØ
FENCING - 16mmØ
 8. CONTRACTOR TO VERIFY ALL FIELD MEASUREMENTS FOR REQUIRED TIMBER PRIOR TO ORDERING MATERIALS.
 9. ALL TIMBER TO BE TREATED PER PROJECT SPECIFICATIONS.
 10. CONTRACTOR TO VERIFY ALL DIMENSION AND ALL EXISTING SITE CONDITIONS IN THE FIELD. ALL ERRORS AND UNSATISFACTORY CONDITIONS TO BE REPORTED TO THE DEPARTMENTAL REPRESENTATIVE.

- LEGEND**
- EXISTING LADDER
 - NEW LADDER AND MOORING RINGS
 - ⊕ NEW MOORING RINGS
 - ⊙ NEW TYPE "B1" CLEAT & BLOCK
 - ⊖ EXISTING TYPE "A" CLEAT & BLOCK
 - ▨ INDICATES TIRE BOAT BUMPER
 - (3.000) EXISTING WHARF DECK ELEVATION
 - (0.000) EXISTING GRADE ELEVATIONS
 - ▭ (3.000) FINISHED GRADE ELEVATIONS
 - ELECTRICAL / LIGHT POLE
 - ⊕ EXISTING ELECTRICAL PEDESTAL (TYP.)
 - - - CONTROL JOINT
 - ▨ EXISTING CONCRETE DECK TO REMAIN
 - ▨ NEW REINFORCED CONCRETE DECK

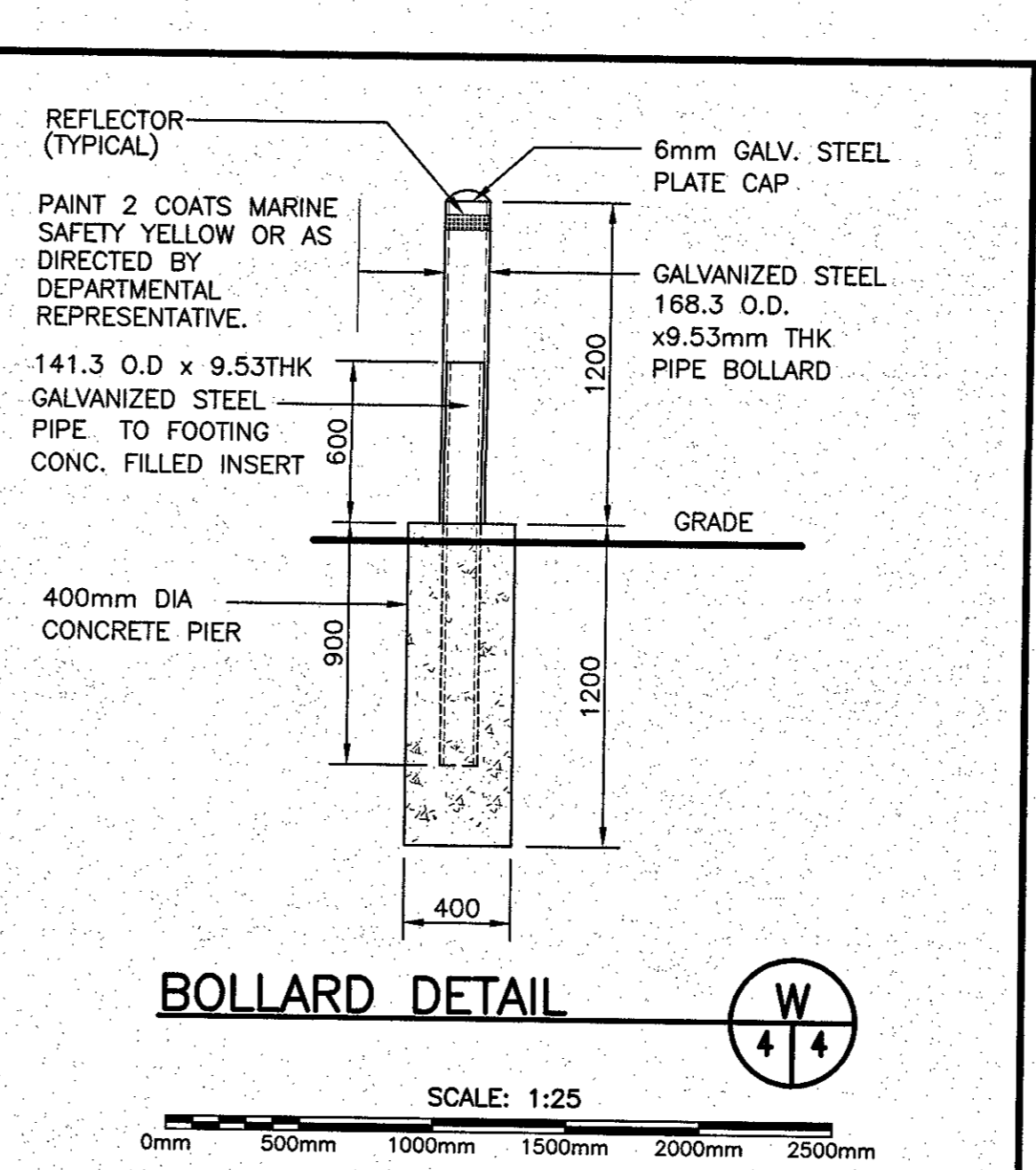
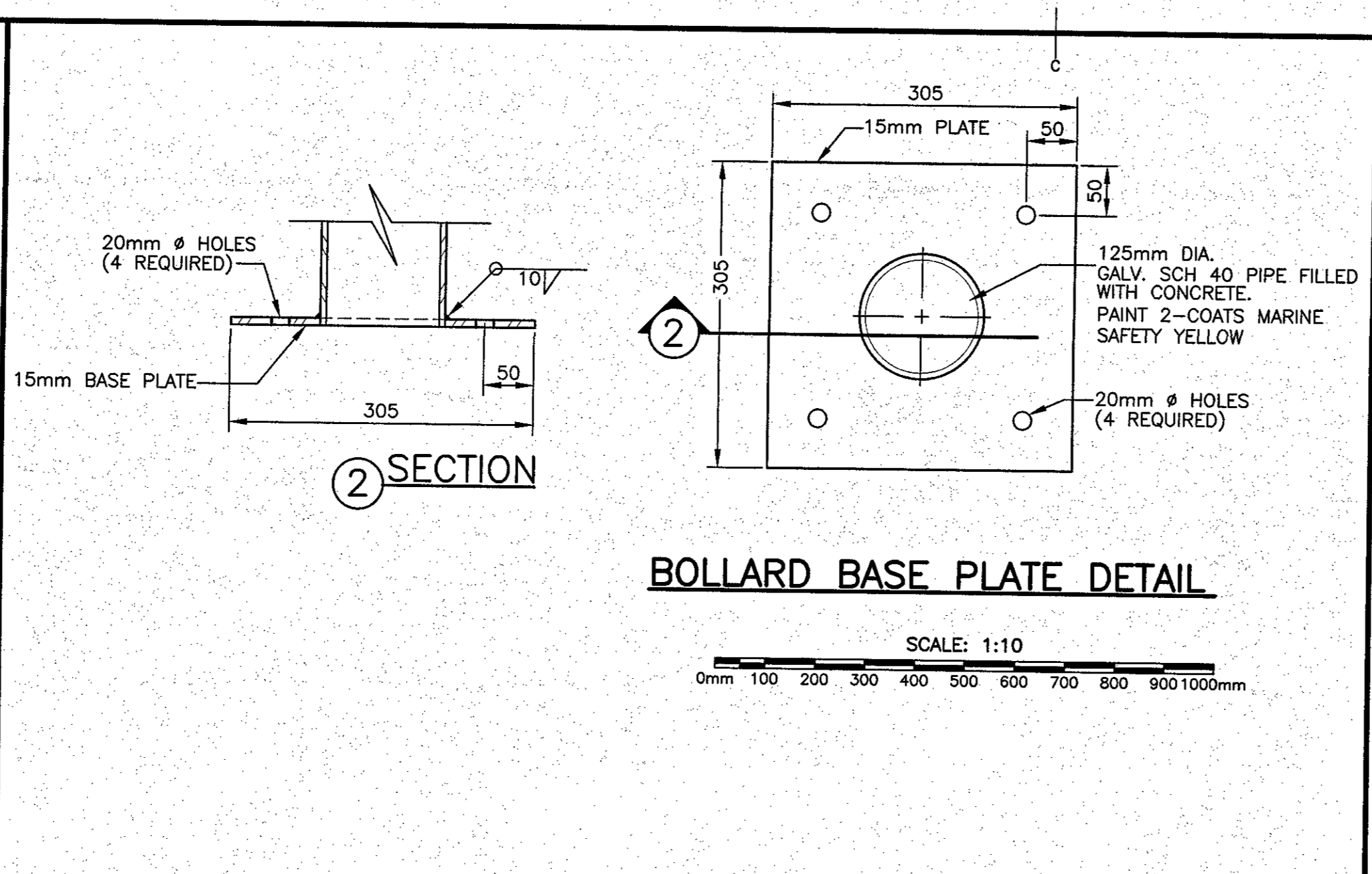
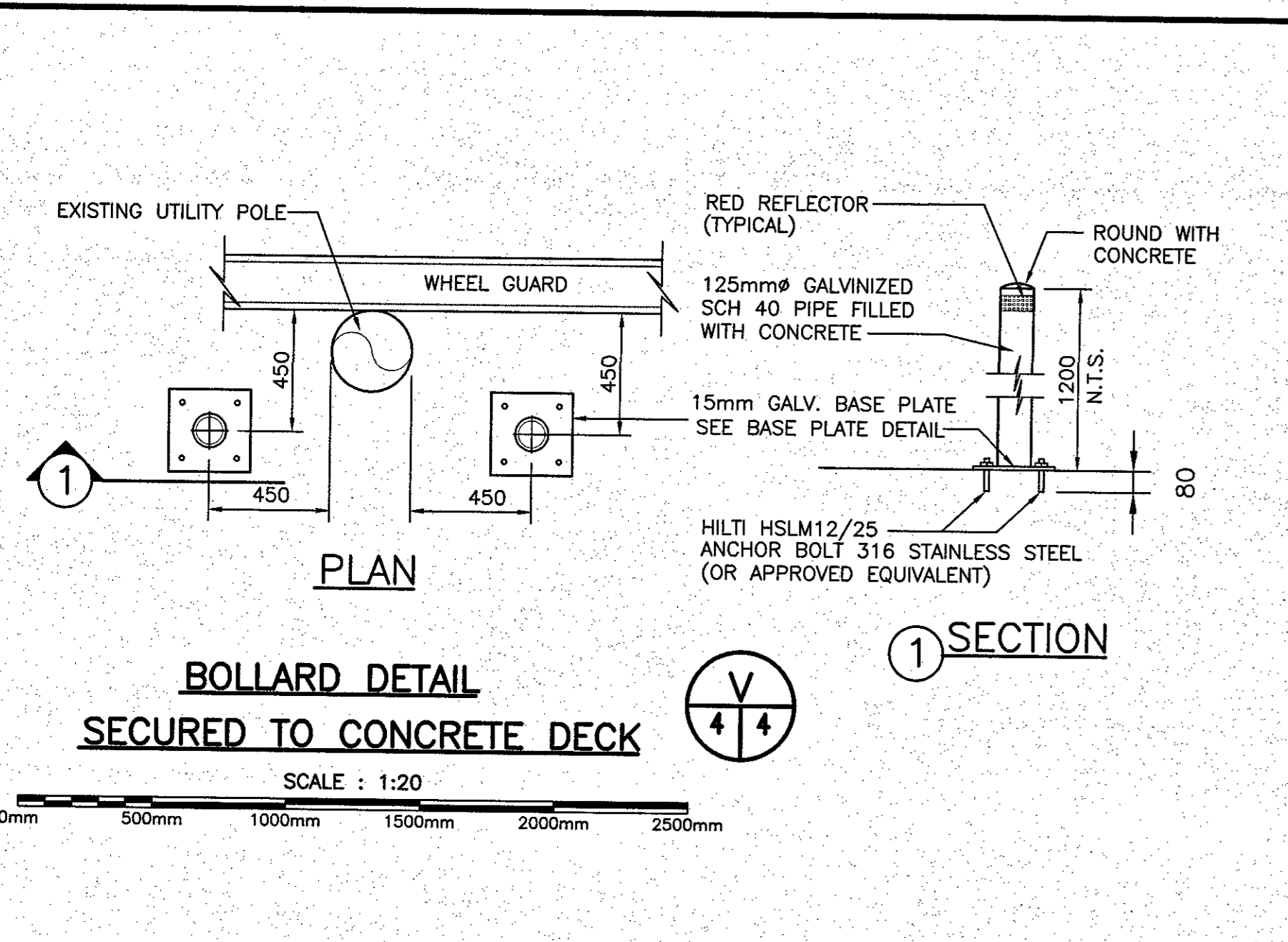


Small Craft Harbours Ports Four Petites Baieaux

PROVINCE OF NEWFOUNDLAND
PERMIT HOLDER
This Permit Allows
ANDERSON ENGINEERING CONSULTANTS LTD.
To practice Professional Engineering
in Newfoundland and Labrador.
Permit No. as issued by APEON 55022
which is valid for the year 2016.



revisions	ISSUED FOR TENDER	15/04/16
project	WHARF REPAIRS FRENCHMAN'S COVE, NL	
drawing	WHARF LAYOUT PLAN	
designed	W.J.A.	conçu
date	APRIL 2016	
drawn	R.S.H.	dessiné
date	APRIL 2016	
approved		approuvé
date		
Tender	Paul Curran	Soumission
PWSC Project Manager	Administrateur de projets TPSCC	
project number	704122	no. du projet
drawing no.	3 of 7	no. du dessin



LEGEND

- EXISTING LADDER
- NEW LADDER AND MOORING RINGS
- NEW MOORING RINGS
- NEW TYPE "B1" CLEAT & BLOCK
- EXISTING TYPE "A" CLEAT & BLOCK
- INDICATES TIRE BOAT BUMPER
- EXISTING WHARF DECK ELEVATION
- EXISTING GRADE ELEVATIONS
- FINISHED GRADE ELEVATIONS
- ELECTRICAL / LIGHT POLE
- EXISTING ELECTRICAL PEDESTAL (TYP.)
- CONTROL JOINT
- EXISTING CONCRETE DECK TO REMAIN
- NEW REINFORCED CONCRETE DECK
- NEW SURFACE COURSE ASPHALT

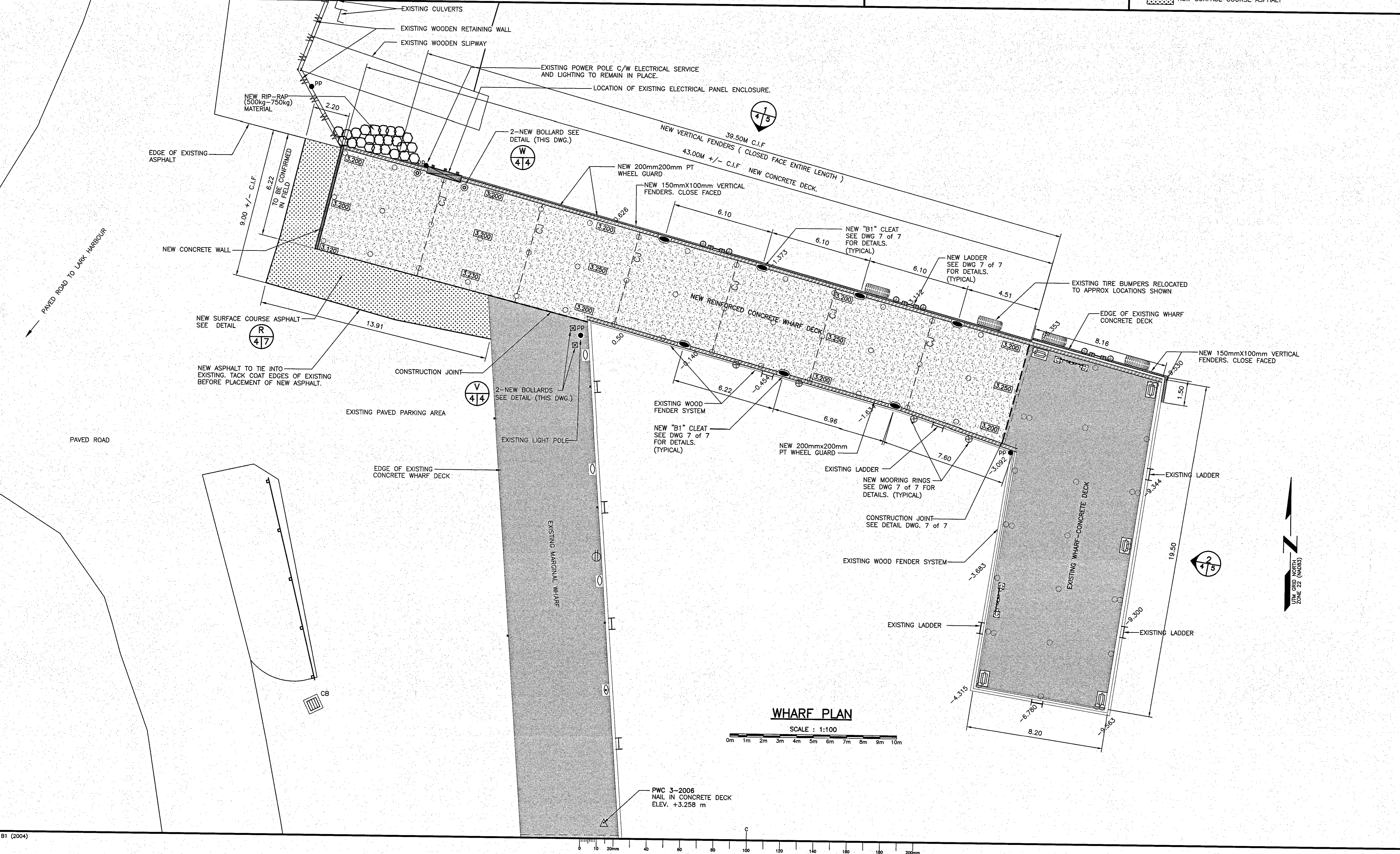
Fisheries and Oceans Canada / Pêches et Océans Canada

Small Craft Harbours / Ports Pour Petits Bateaux

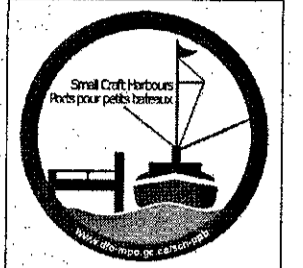
PROVINCE OF NEWFOUNDLAND PERMIT HOLDER

ANDERSON ENGINEERING CONSULTANTS LTD.

To practice Professional Engineering in Newfoundland and Labrador, Permit No. as issued by APEGN 2012022, which is valid for the year 2012.

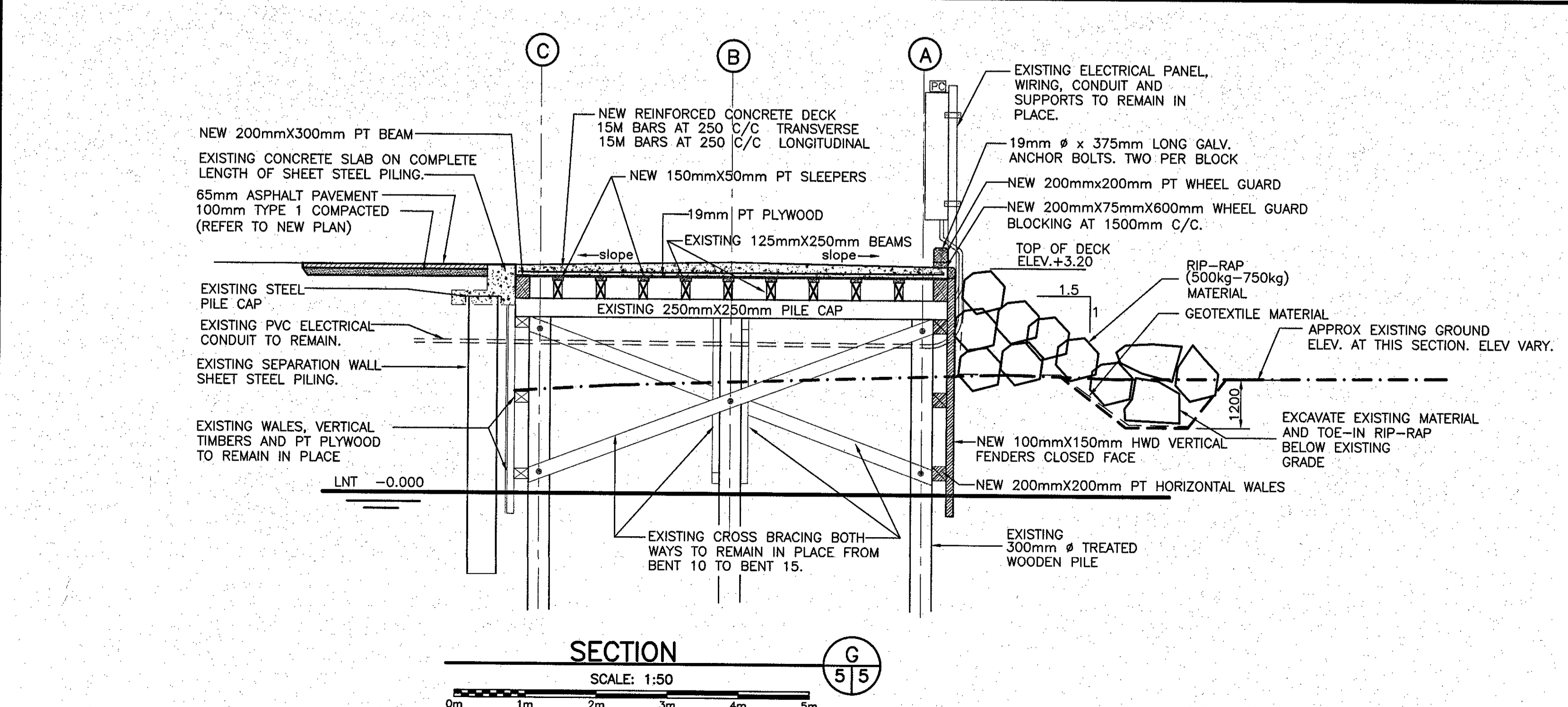
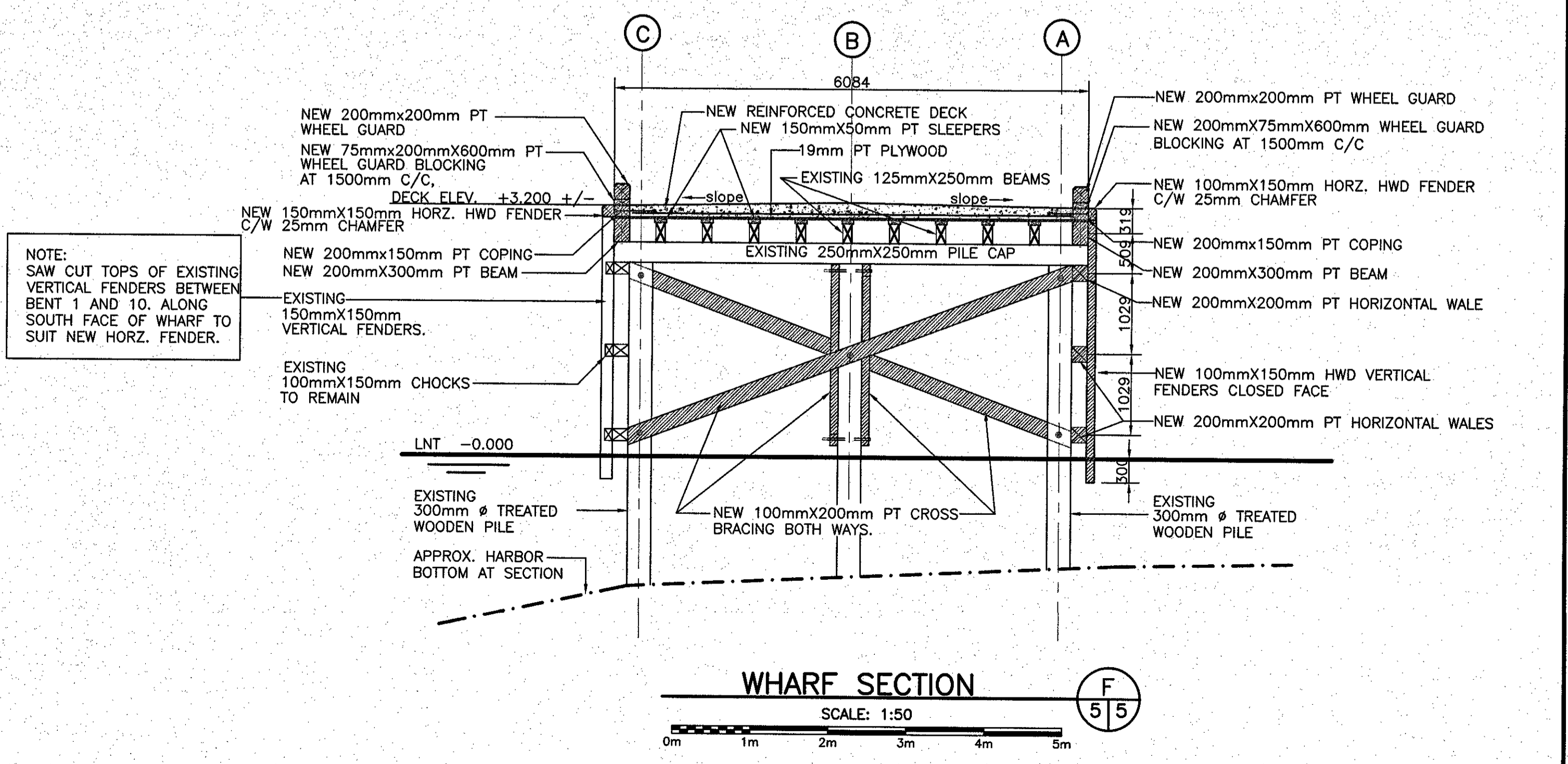
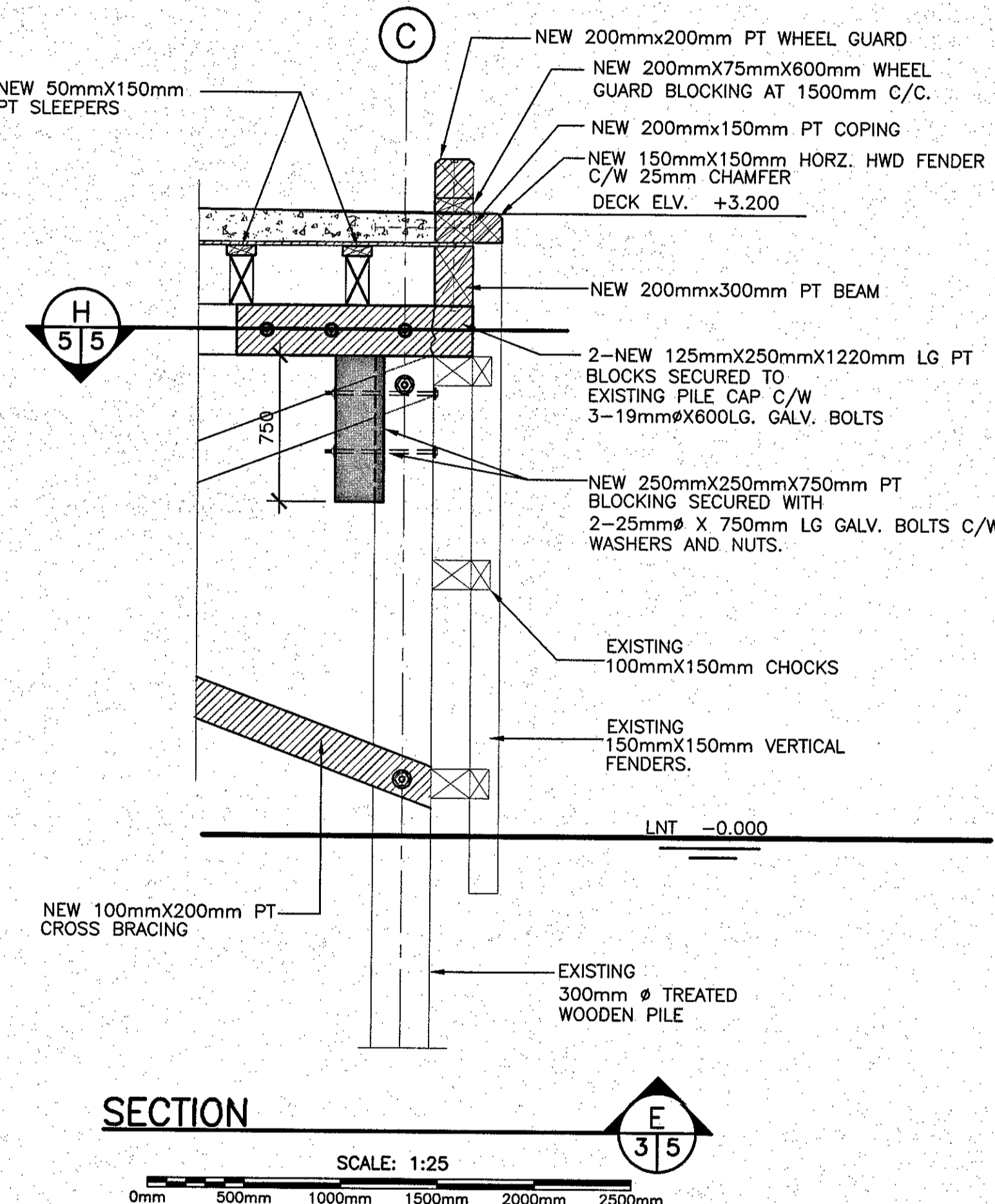
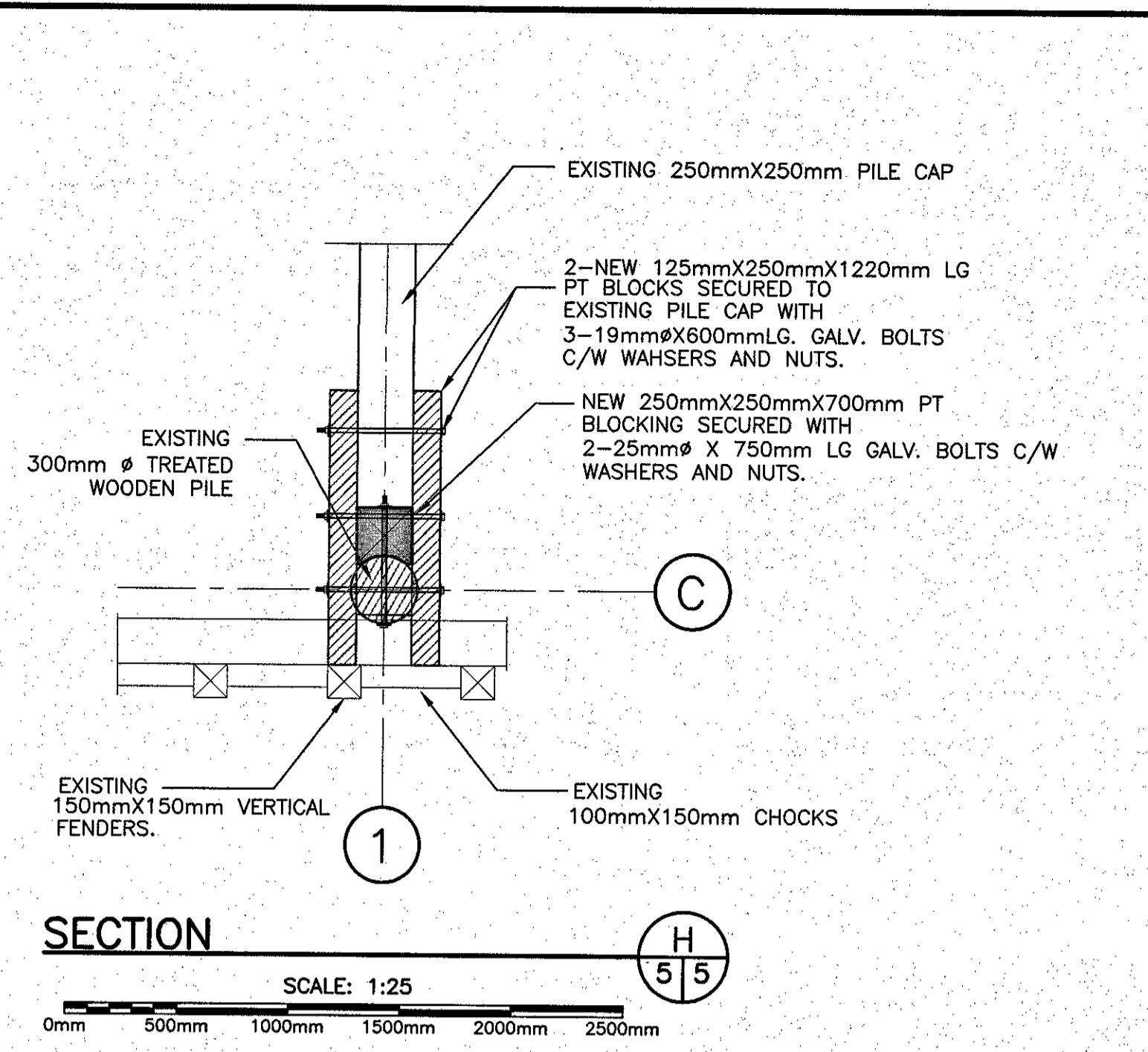
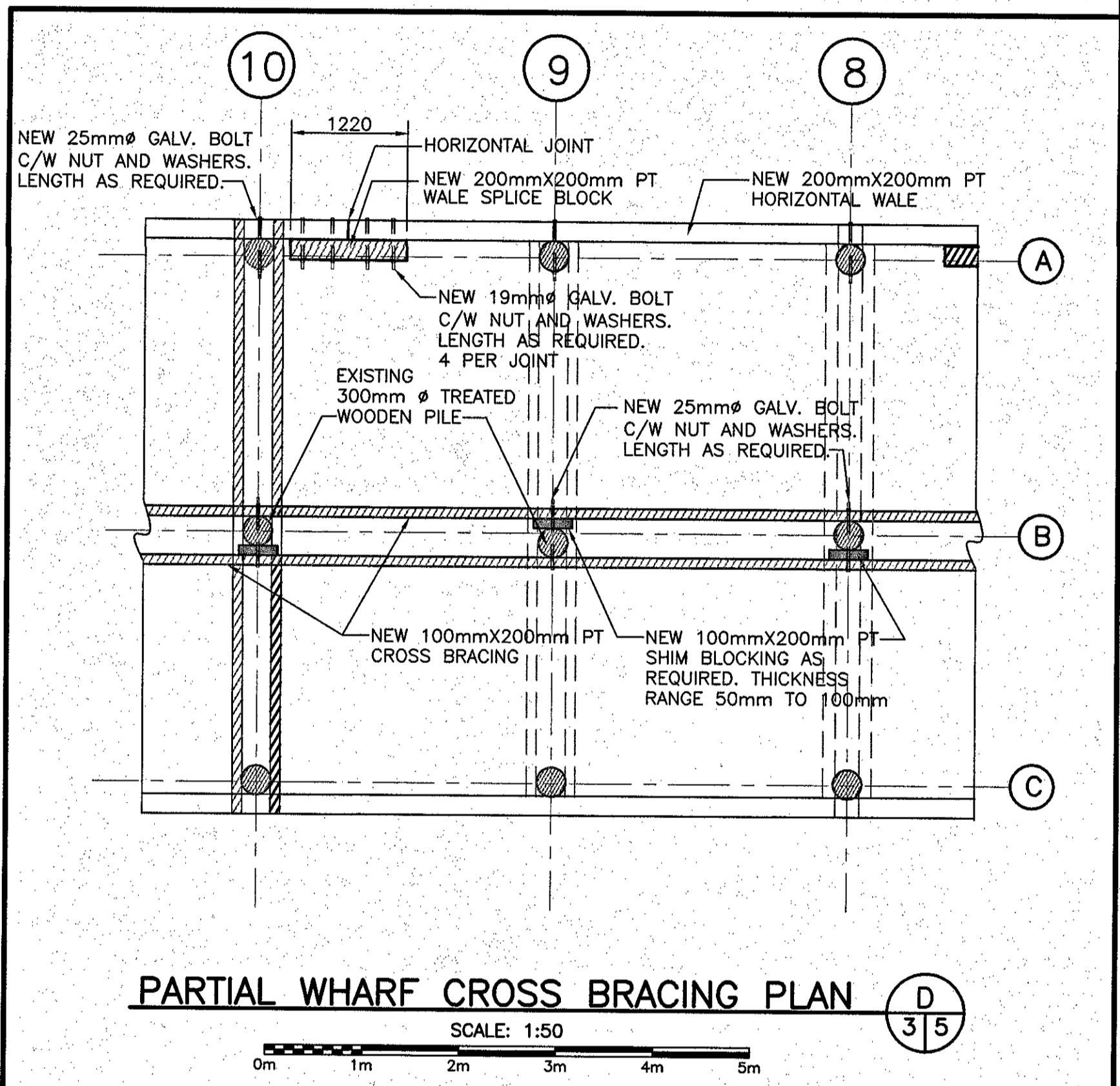
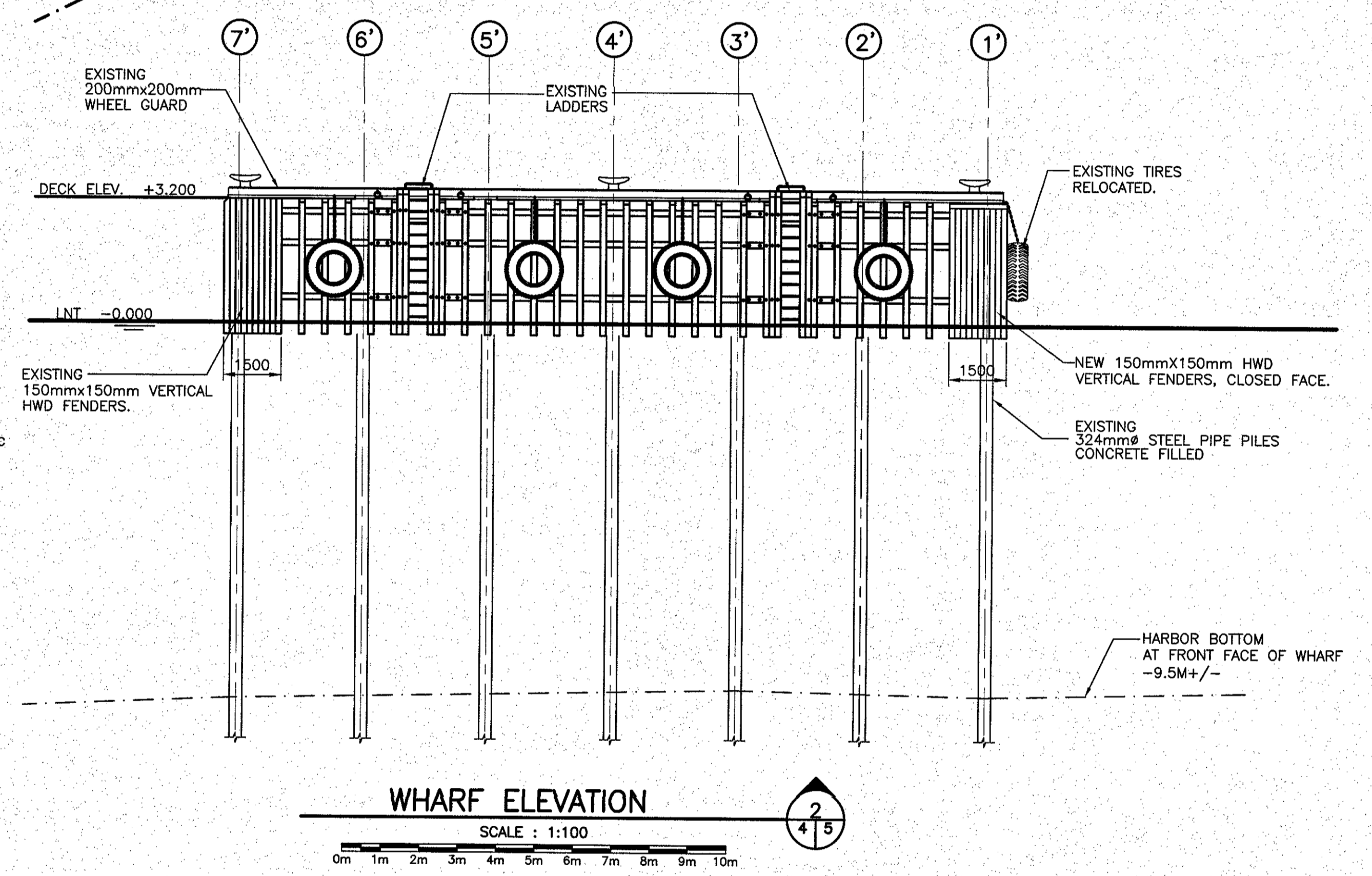
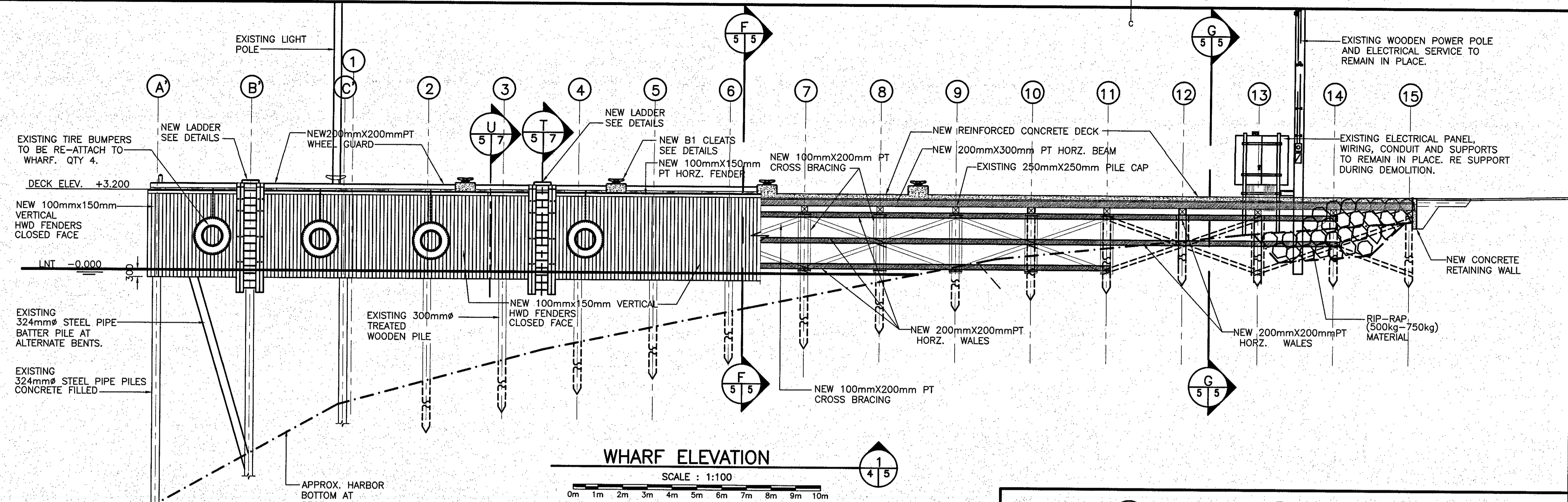
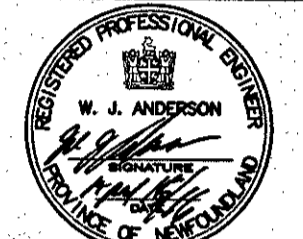


ISSUED FOR TENDER	15/04/16
revisions	date
project	project
WHARF REPAIRS FRENCHMAN'S COVE, NL	
drawing	design
WHARF PLAN	
designed W.J.A.	congr
date APRIL 2016	
drawn R.S.H.	designé
date APRIL 2016	
approved	approuvé
date	
Tender <i>Paul Curran</i>	Submission
PWOSC Project Manager / Administrateur de projets TPSC	
project number	no. du projet
704122	
drawing no.	no. du dessin
4 of 7	



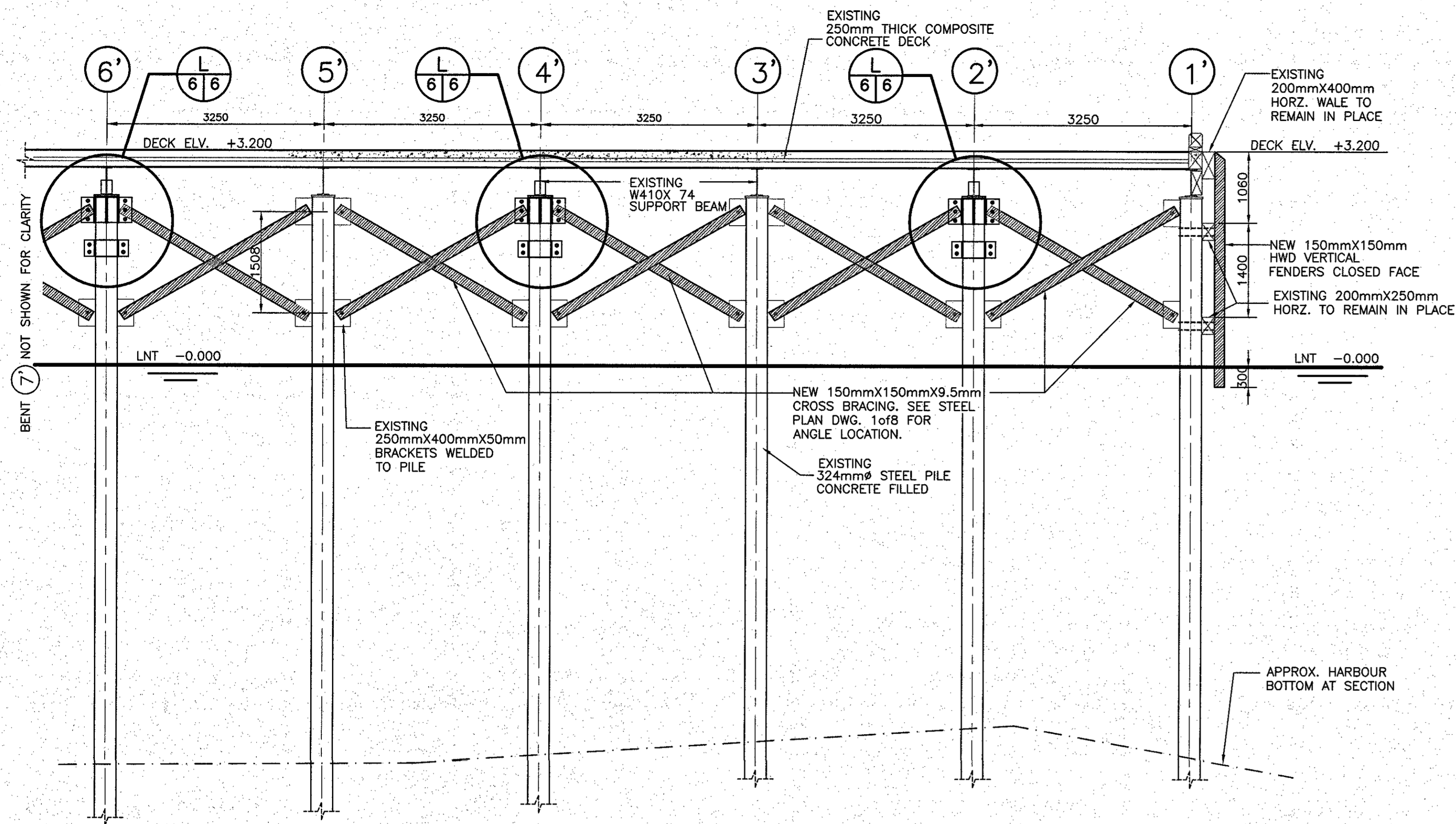
Small Craft Harbours Ports Four Petits Baieux

PROVINCE OF NEWFOUNDLAND
 PERMIT HOLDER
 This Permit Allows
 ANDERSON ENGINEERING CONSULTANTS LTD.
 To practice Professional Engineering
 in Newfoundland and Labrador.
 Permit No. as issued by APEGR 80092
 which is valid for the year 2016.

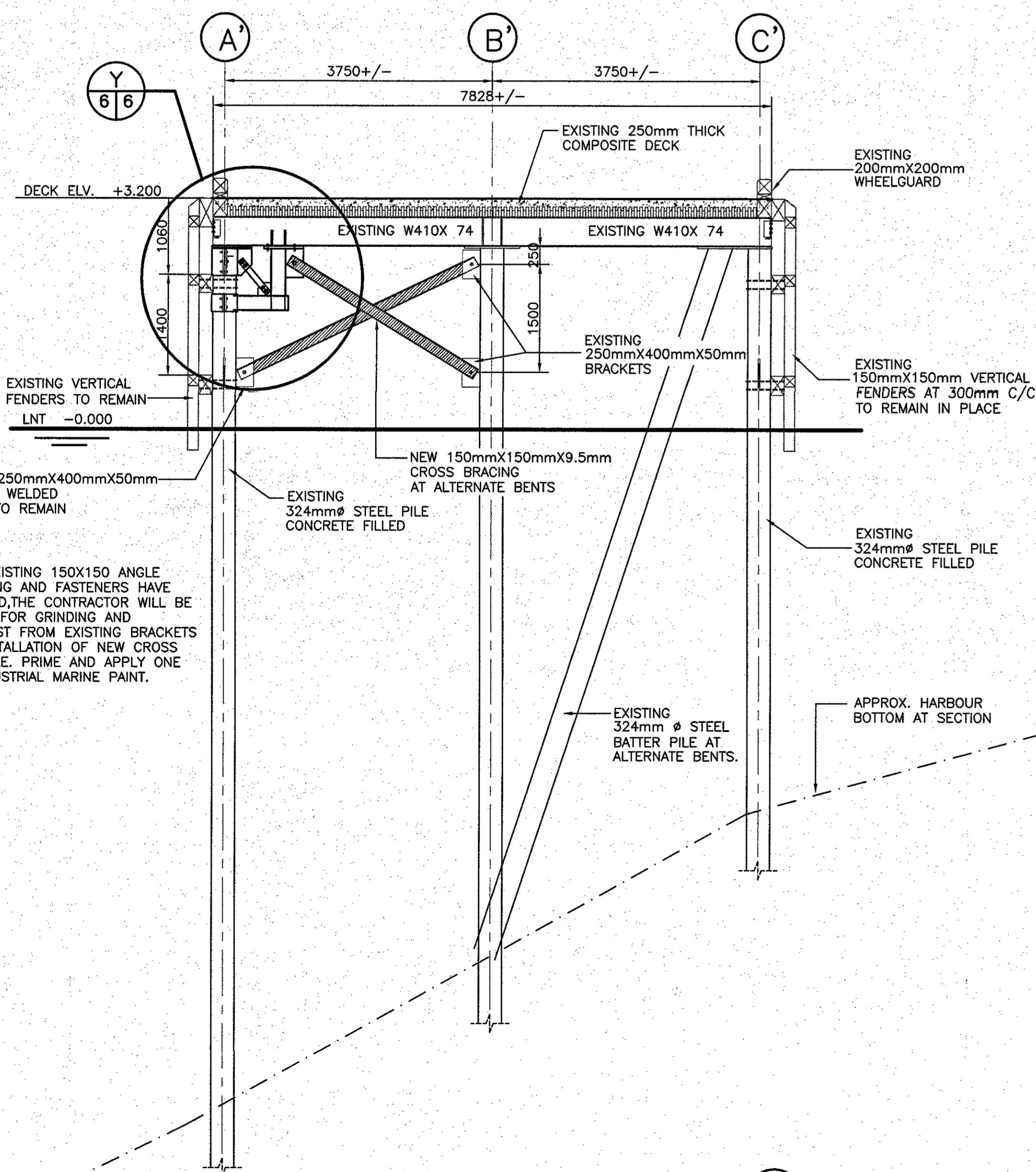


NOTE:
 SAW CUT TOPS OF EXISTING
 VERTICAL FENDERS BETWEEN
 BENT 1 AND 10, ALONG
 SOUTH FACE OF WHARF TO
 SUIT NEW HORIZ. FENDER.

revisions	A	ISSUED FOR TENDER	15/04/16
project			
WHARF REPAIRS FRENCHMAN'S COVE, NL			
drawing			
WHARF ELEVATIONS AND SECTIONS			
designed	W.J.A	conçu	
date	APRIL 2016		
drawn	R.S.H	dessiné	
date	APRIL 2016		
approved		approuvé	
date			
Tender	Paul Curran	Scoutmission	
PWOSC Project Manager	Administrateur de projets TPSCG		
project number	704122	no. du projet	
drawing no.	5 of 7	no. du dessin	

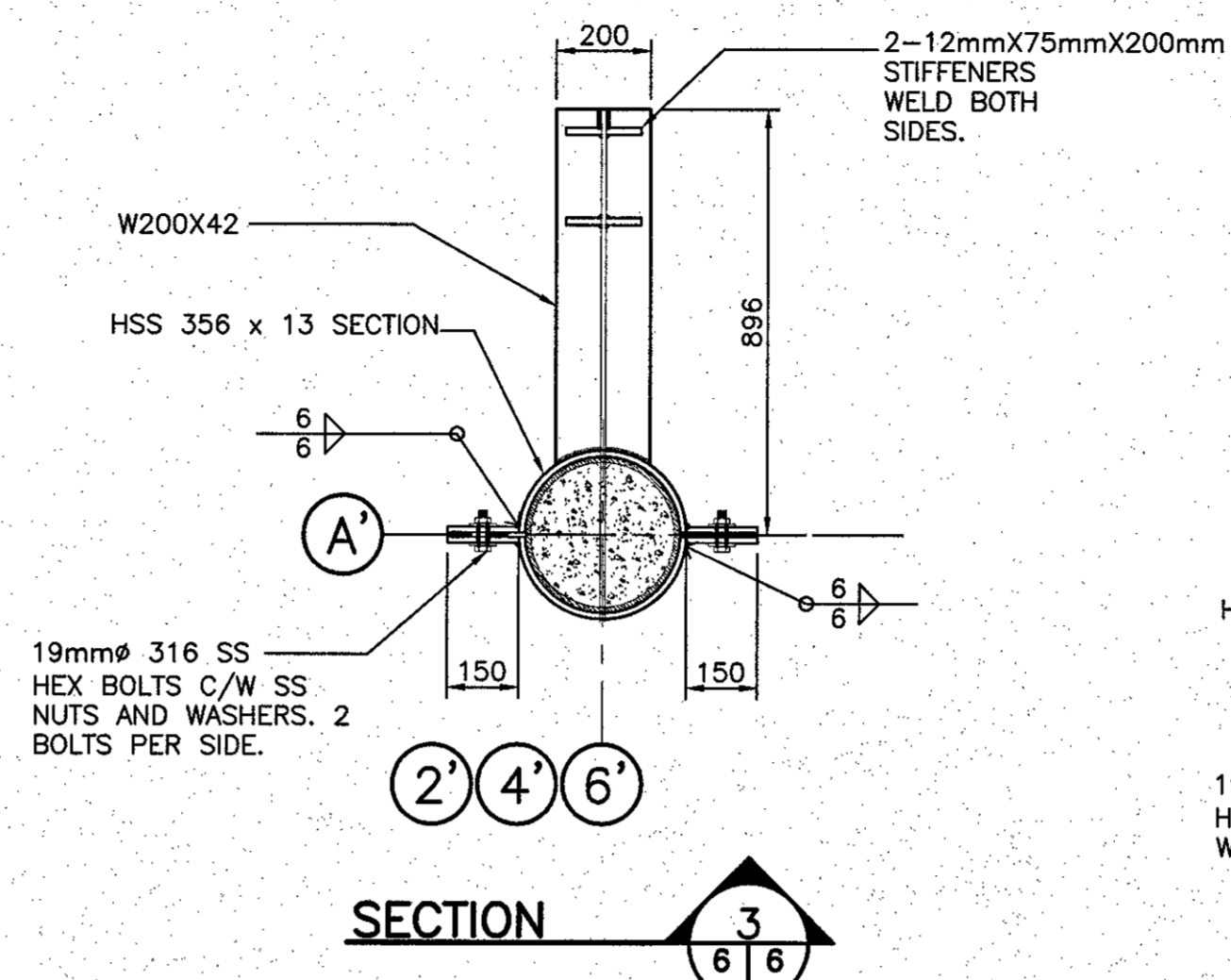


WHARF SECTION
SCALE: 1:50
J 3/6

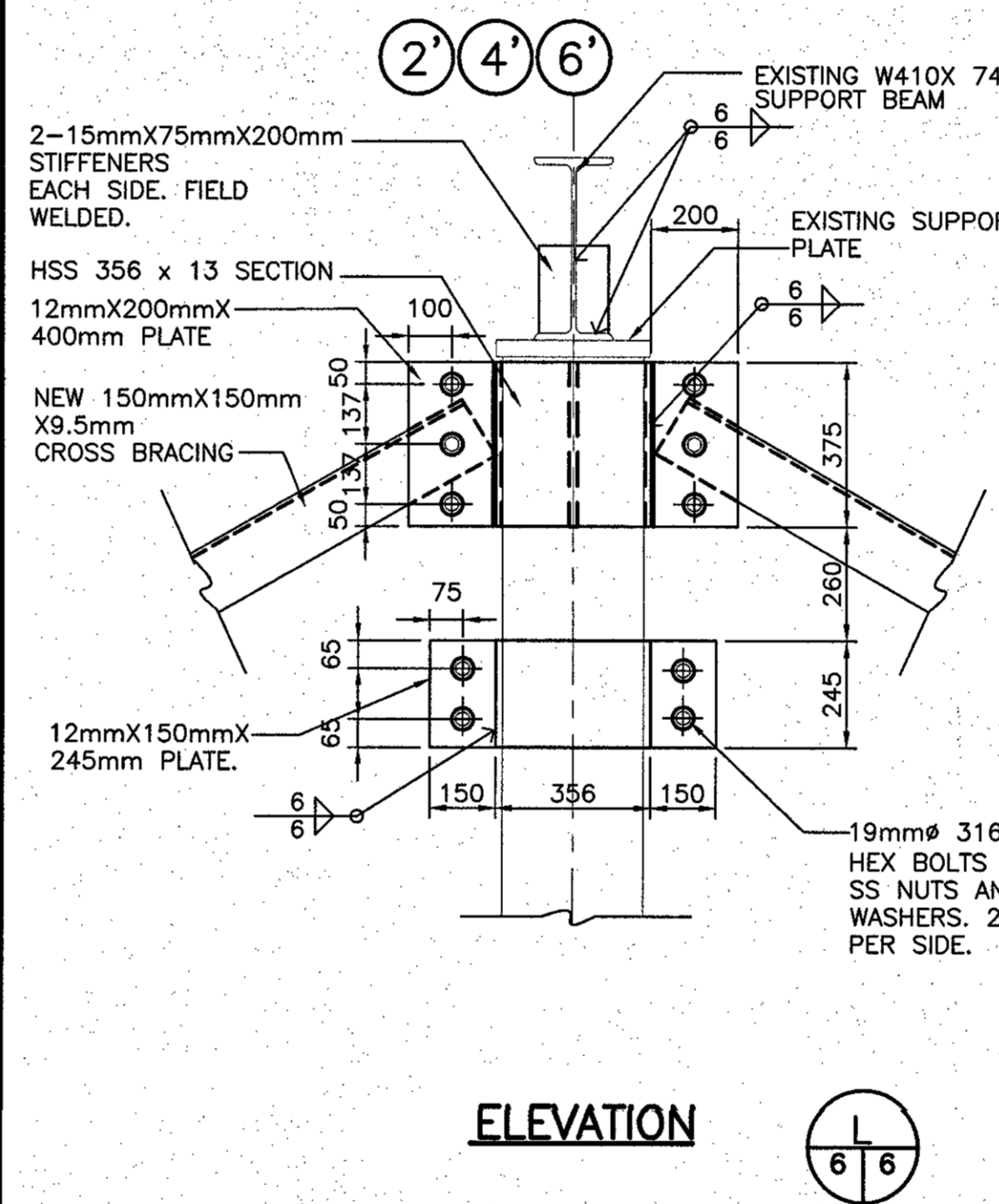


WHARF SECTION
SCALE: 1:50
K 3/6

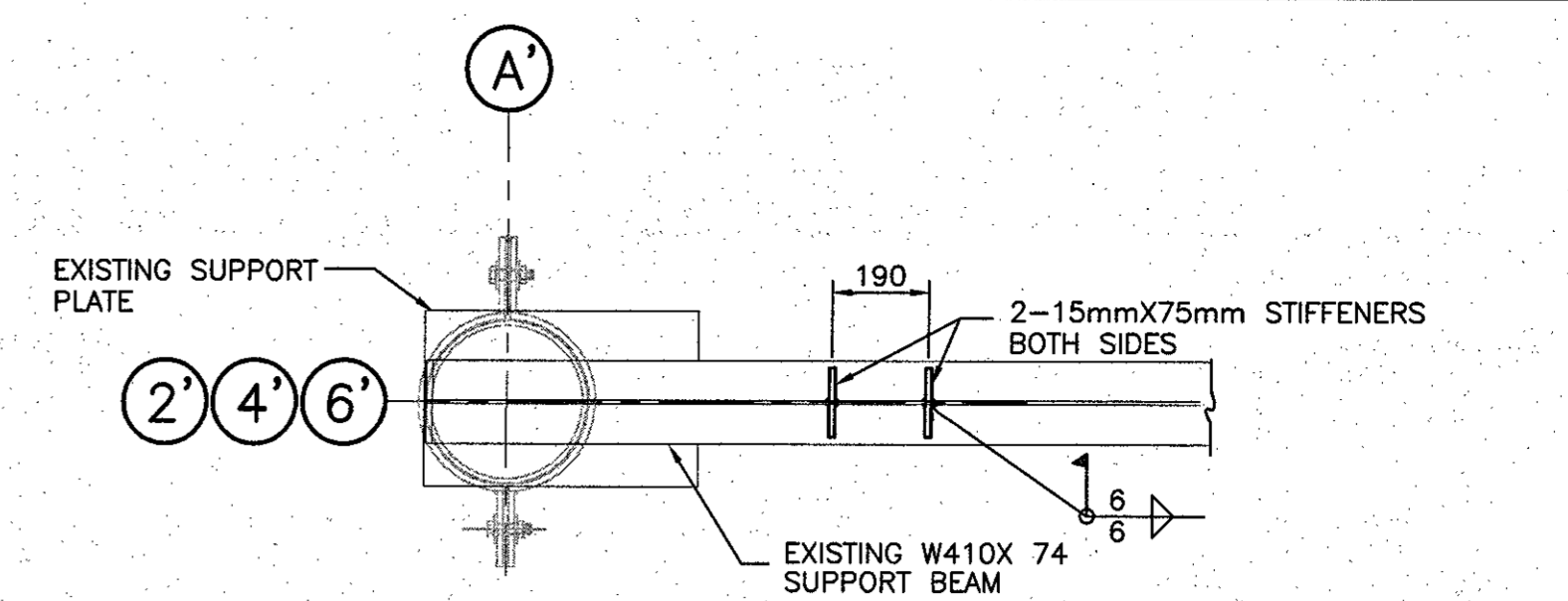
NOTE:
AFTER THE EXISTING 150X150 ANGLE CROSS BRACING AND FASTENERS HAVE BEEN REMOVED, THE CONTRACTOR WILL BE RESPONSIBLE FOR GRINDING AND REMOVING RUST FROM EXISTING BRACKETS PRIOR TO INSTALLATION OF NEW CROSS BRACING ANGLE. PRIME AND APPLY ONE COAT OF INDUSTRIAL MARINE PAINT.



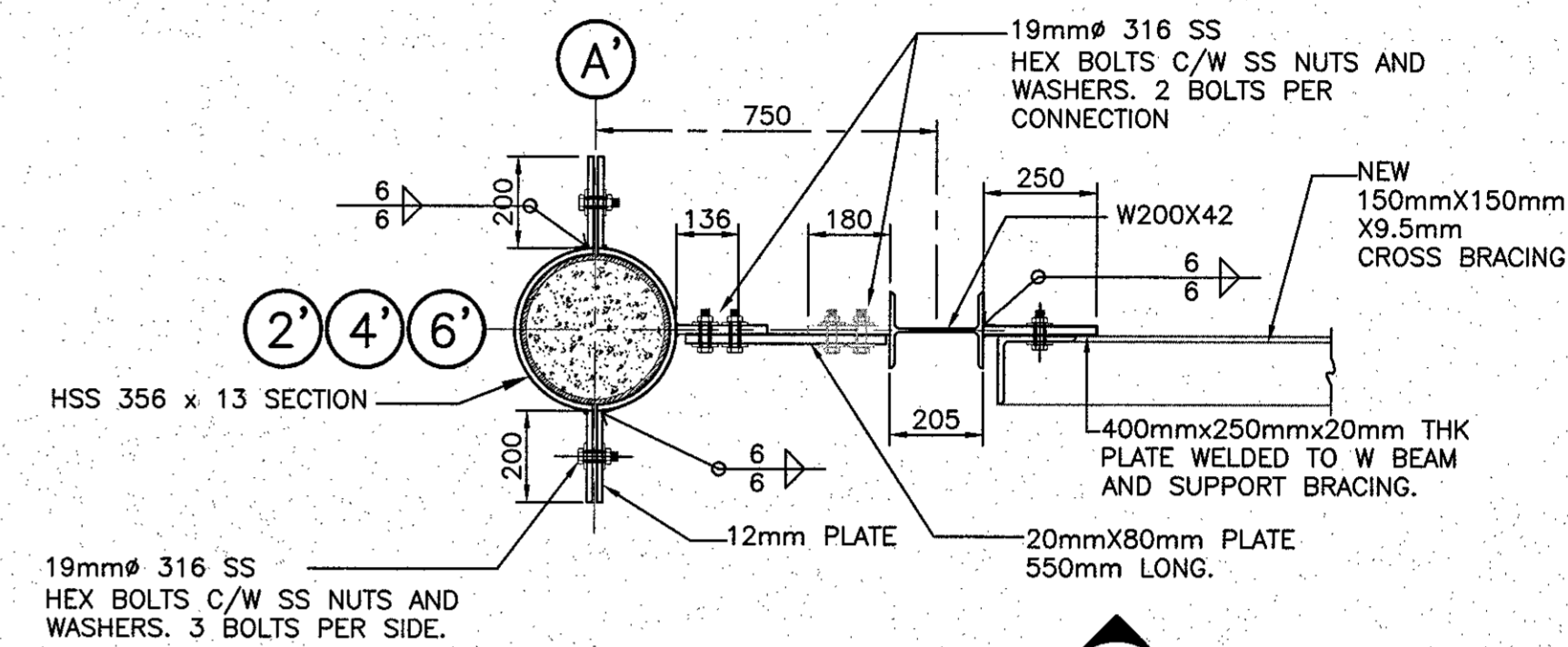
SECTION
3/6



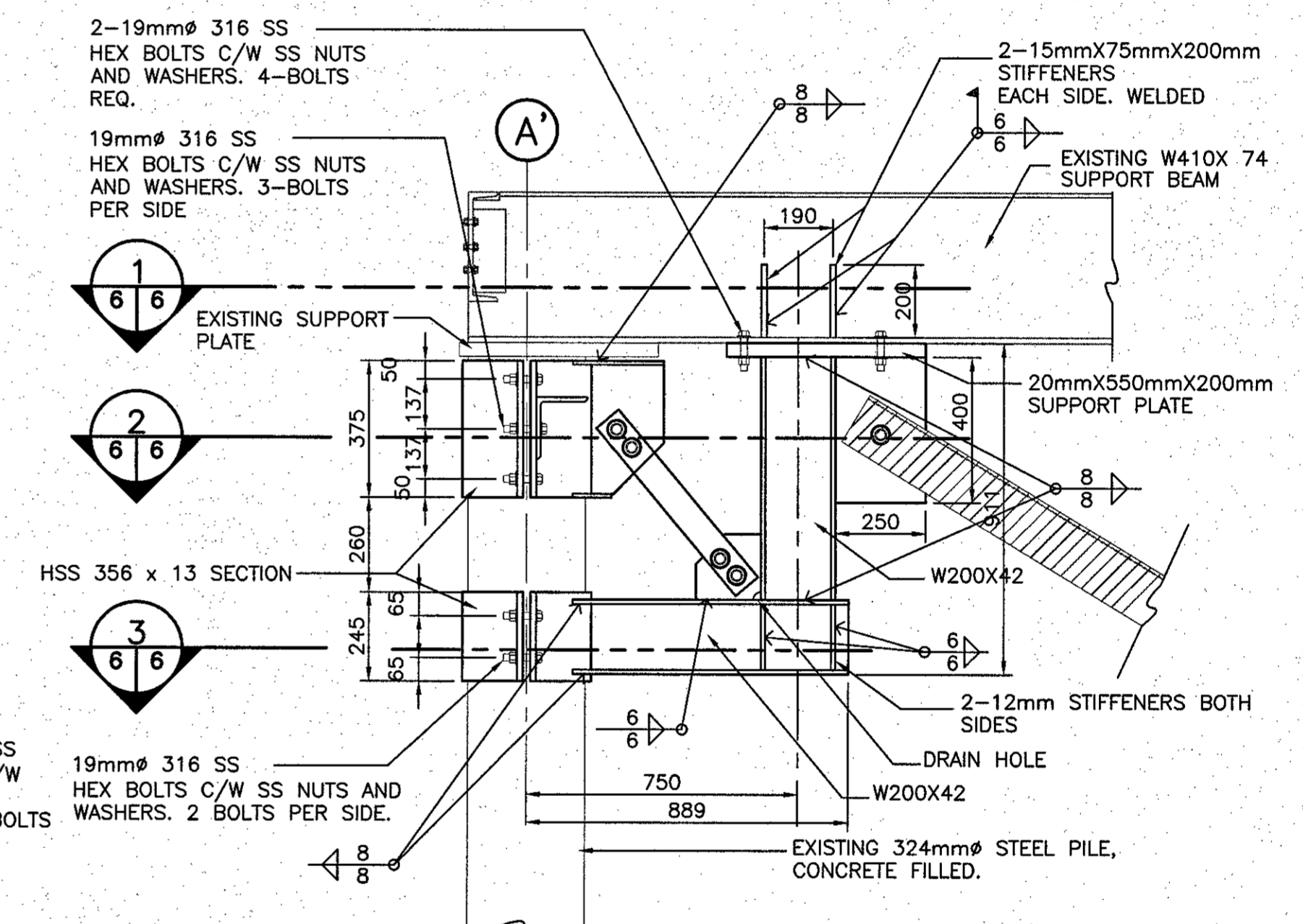
ELEVATION
1/6



SECTION
4/6



SECTION
2/6



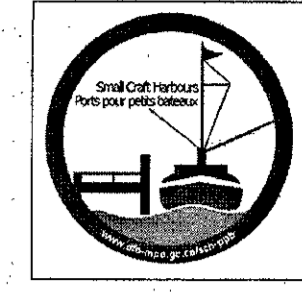
ELEVATION
2/6

STEEL SUPPORT BRACKET

SCALE: 1:15
0mm 500mm 1000mm 1500mm 2000mm 2500mm

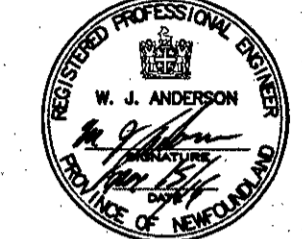
NOTES:

1. ALL DIMENSIONS IN MILLIMETERS.
2. ENSURE HOLES ARE IN LINE, DRILL AFTER ASSEMBLY ONLY.
3. ENSURE BOLT HEADS HAVE ENOUGH CLEARANCE TO ROTATE AFTER WELDING.
4. TOLERANCES—LENGTH ±2mm, ANGLES ±1.0°.
5. ALL DIMENSIONS AND/OR ELEVATIONS TO BE CONFIRMED PRIOR TO FABRICATION.
6. ALL STEEL MUST MEET THE REQUIREMENTS OF CSA STANDARD CAN/CSA G40.20/G40.21.
7. ALL STRUCTURAL STEEL WELDING TO BE CARRIED OUT USING W48M CLASS E 48018-A1 (CWB A5.5 CLASS E 7018-A1) WELDING RODS.
8. DO WELDING IN ACCORDANCE WITH CSA W59-03. WELDED STEEL CONSTRUCTION TO LATEST REVISION.
9. WELDERS TO BE QUALIFIED IN ACCORDANCE WITH CSA W47.1-03. LATEST REVISION.
10. CONTRACTOR WILL BE RESPONSIBLE FOR THE SUPPLY AND INSTALLATION OF ALL ANGLES, CLIPS SEATS ETC. NOT CLEARLY IDENTIFIED.
11. ALL WELDING TO BE INSPECTED PRIOR TO PRIMING.
12. PAINT ALL METALS WITH :
1 COAT SHOP PRIMER
2 COATS MARINE ENAMEL



Small Craft Harbours Ports Pour Petits Bateaux

PROVINCE OF NEWFOUNDLAND
PERMIT HOLDER
This Permit Allows
ASSOCIATION ENGINEERING CONSULTANTS LTD.
To practice Professional Engineering
in Newfoundland and Labrador.
Permit No. as issued by APEERL_02022
which is valid for the year 2016-2017.

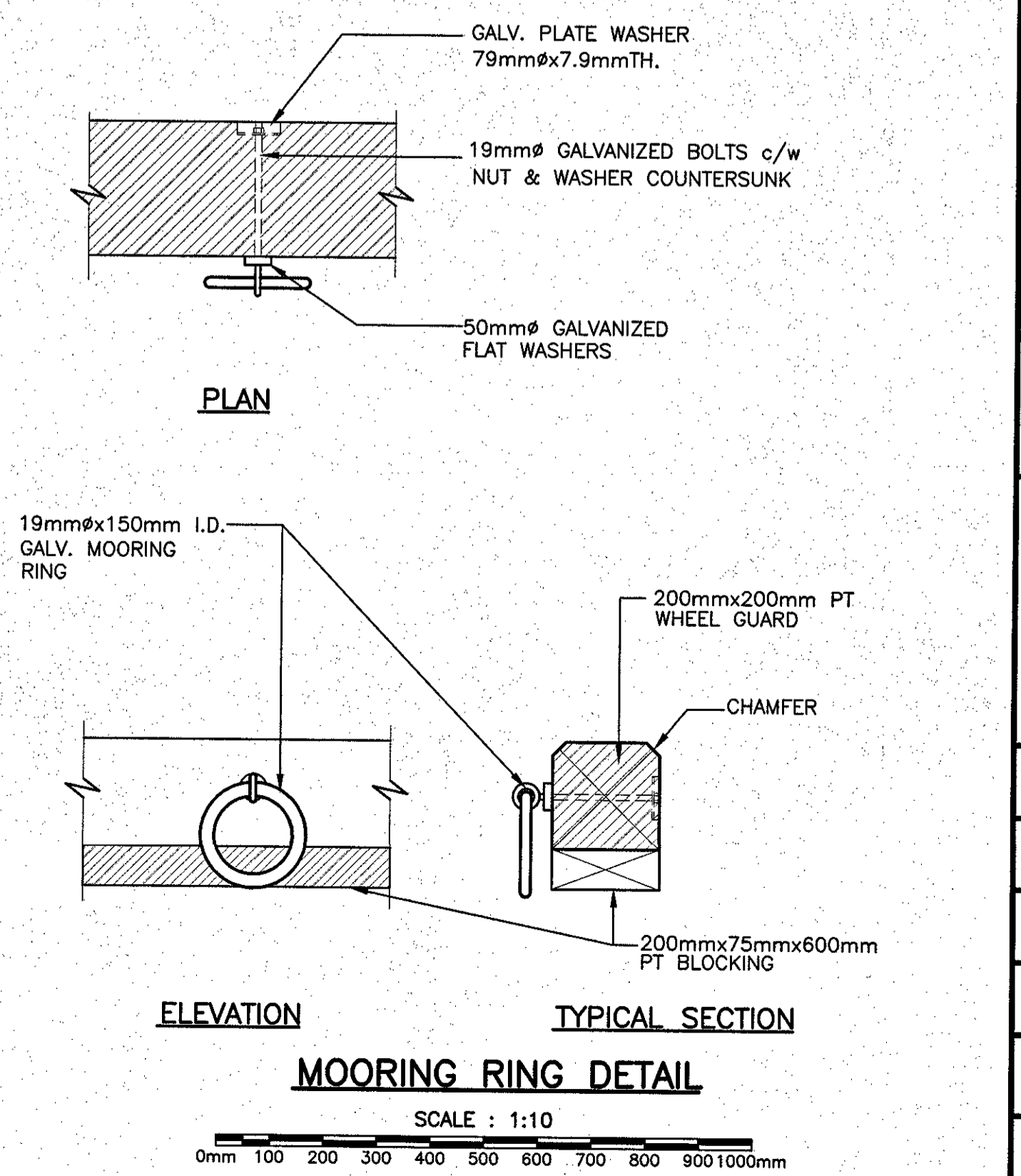
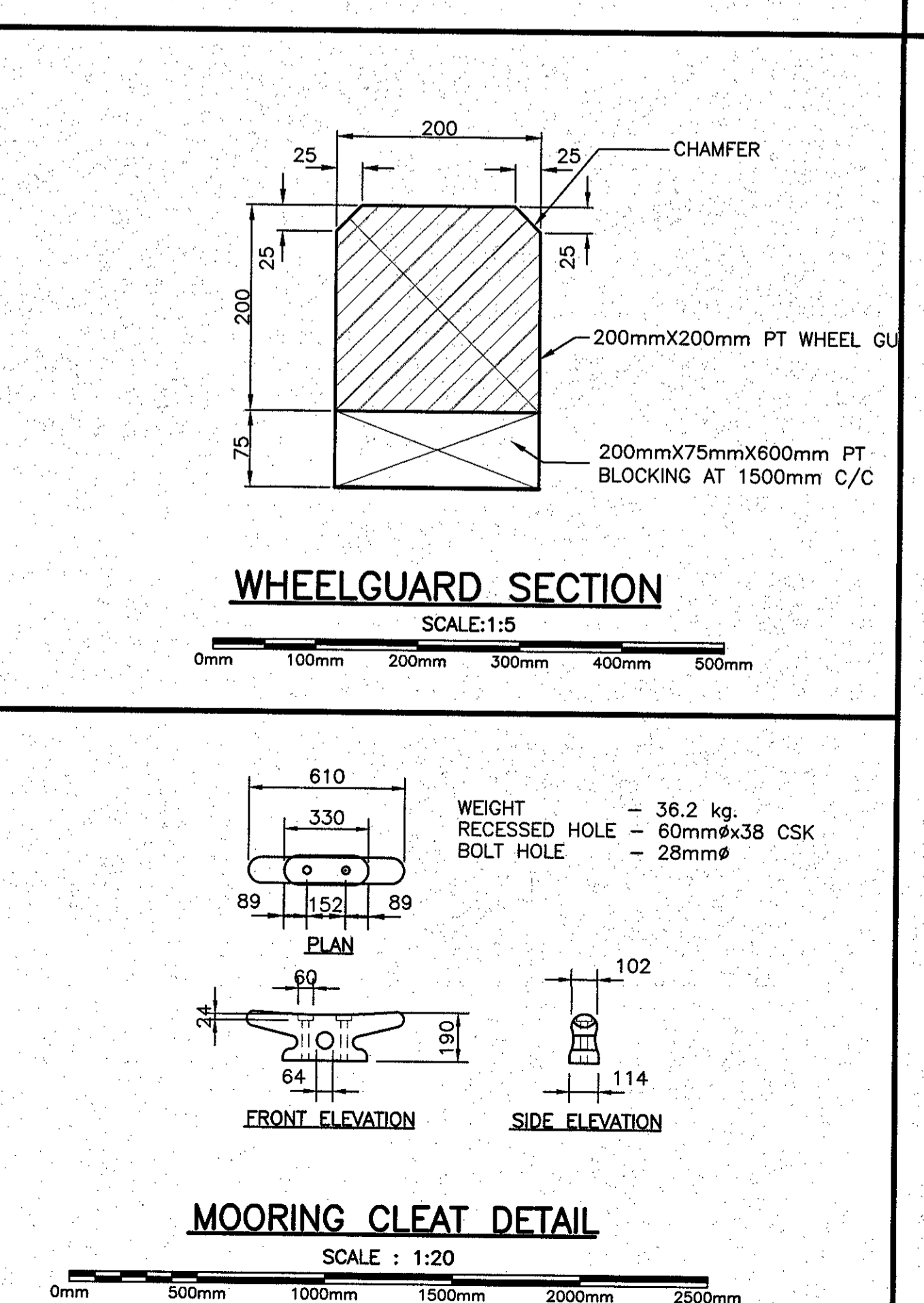
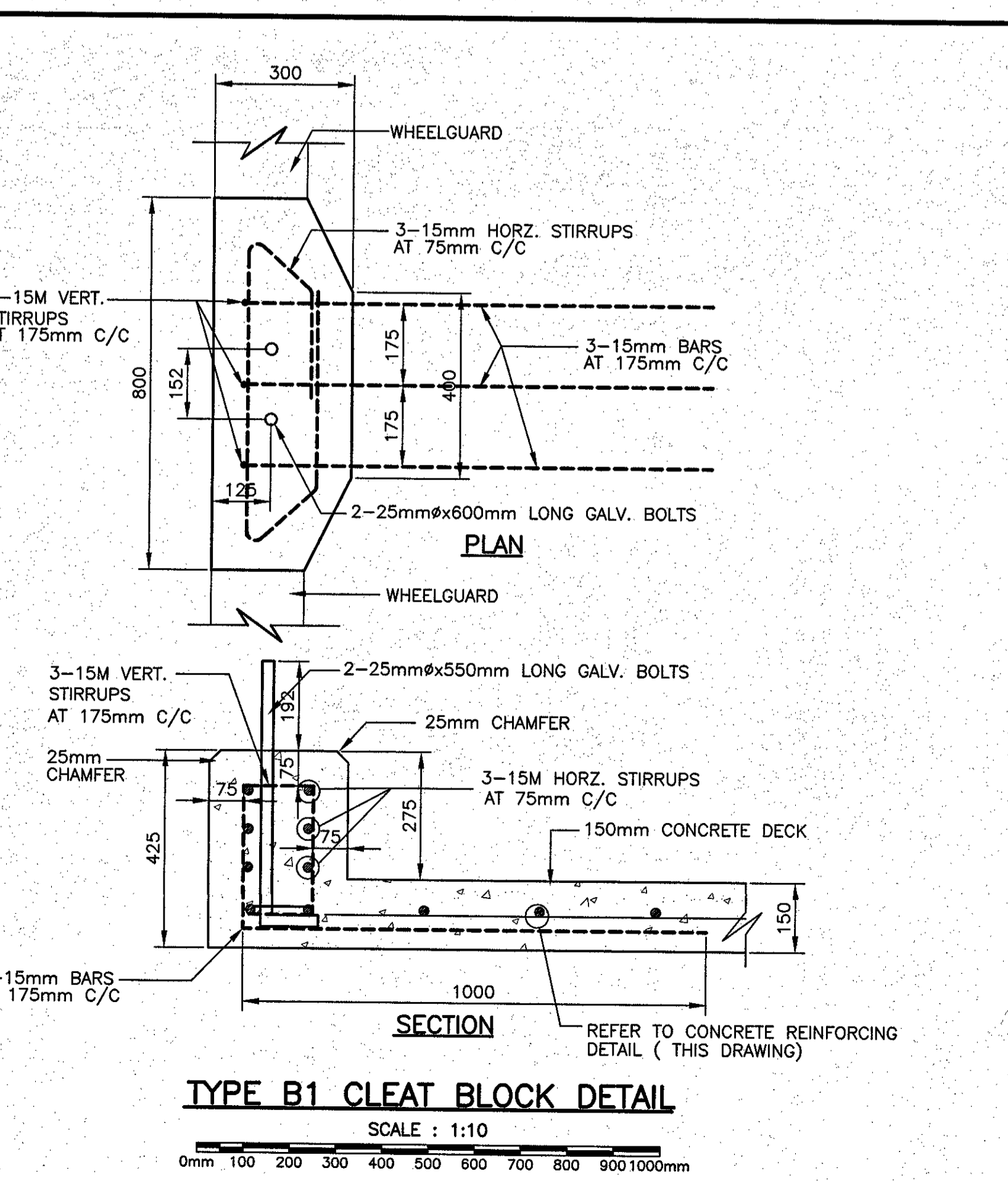
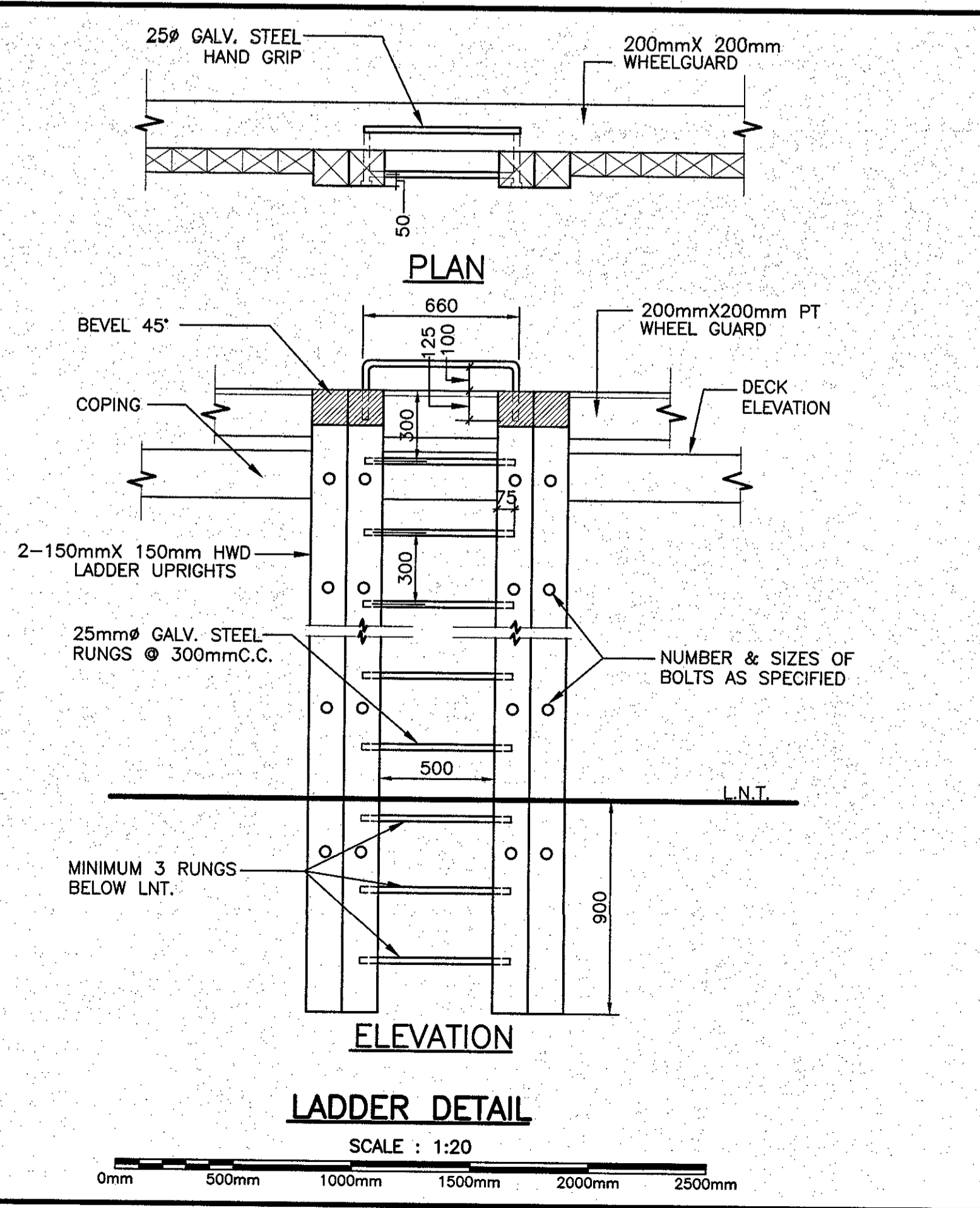
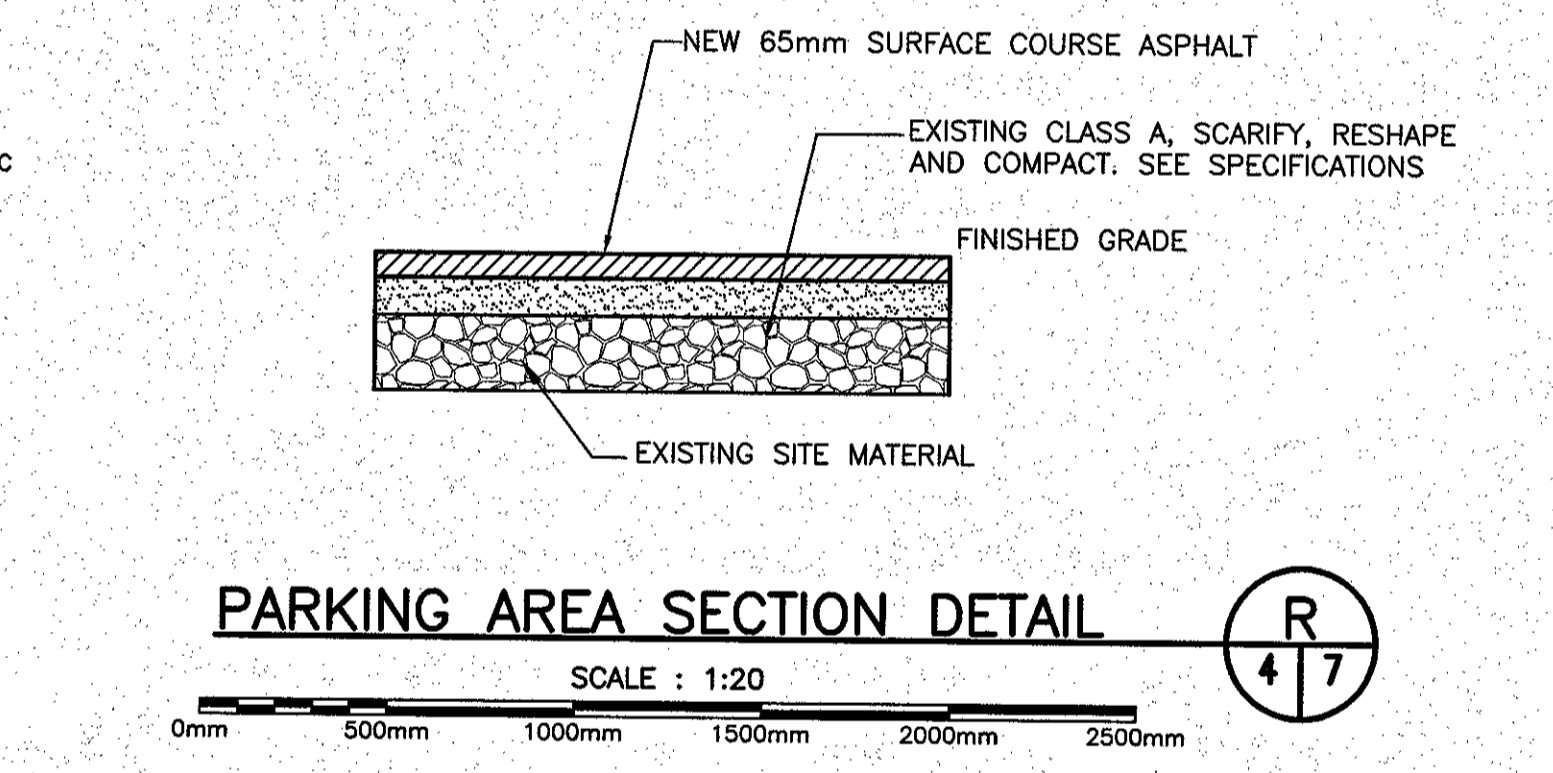
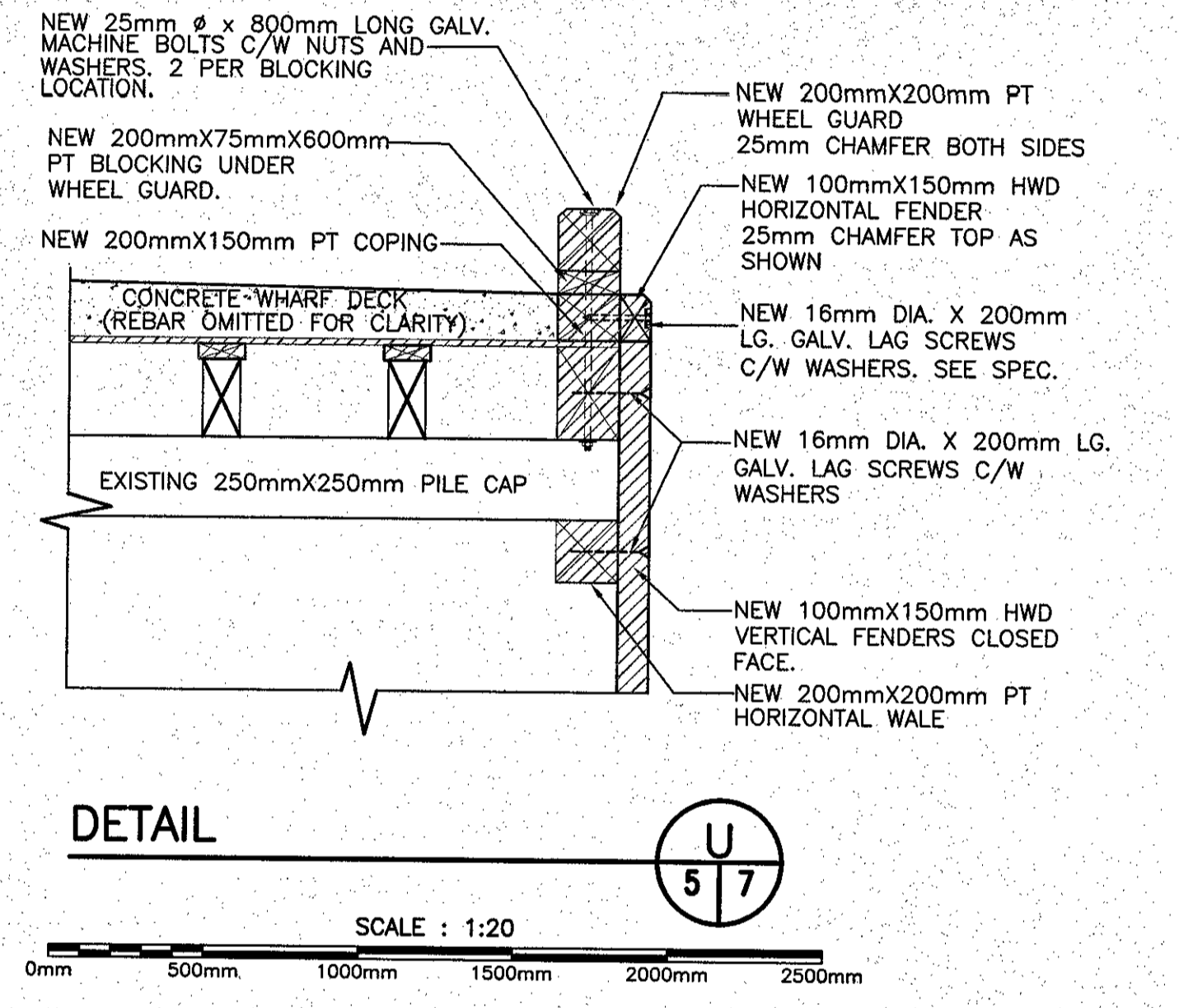
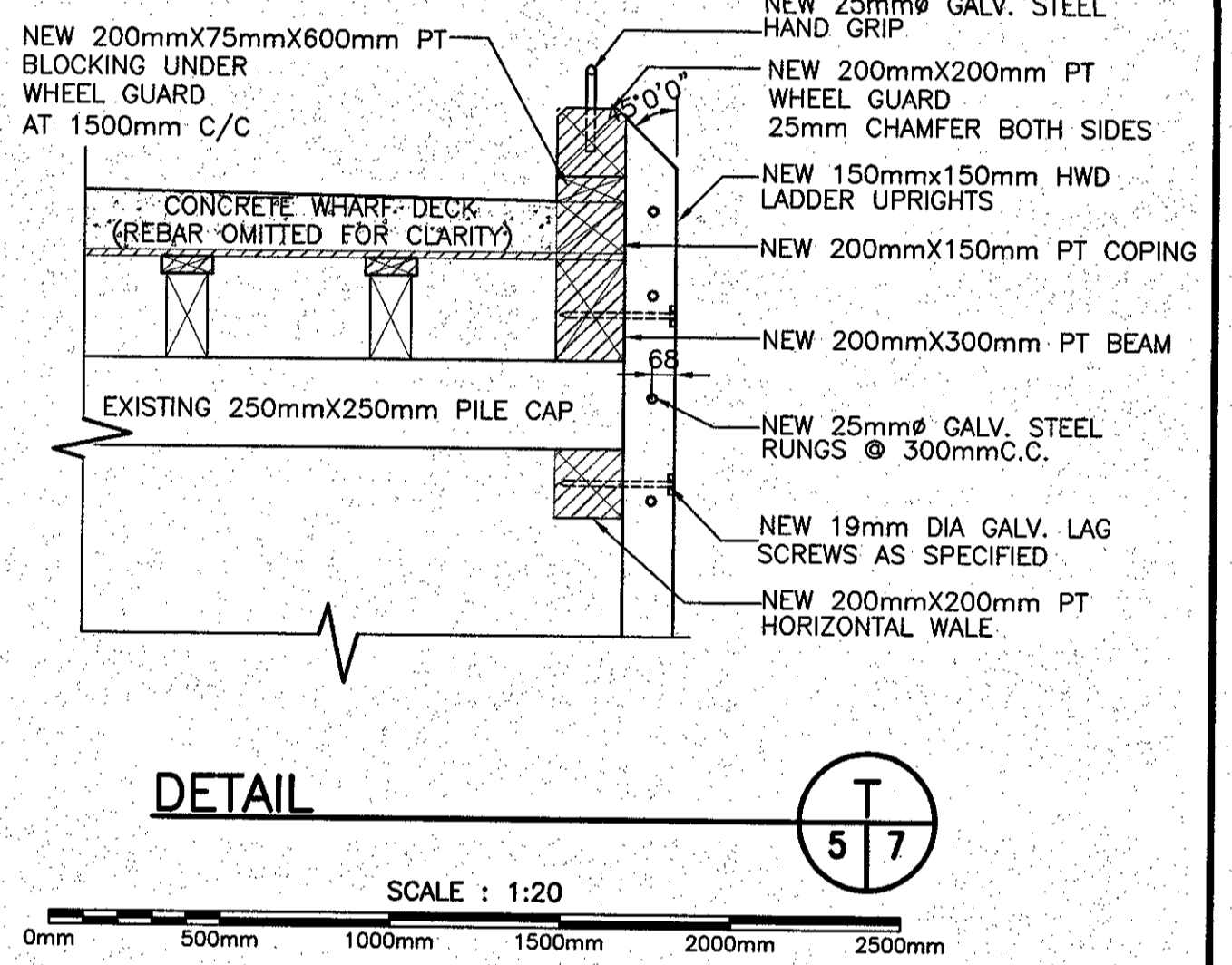
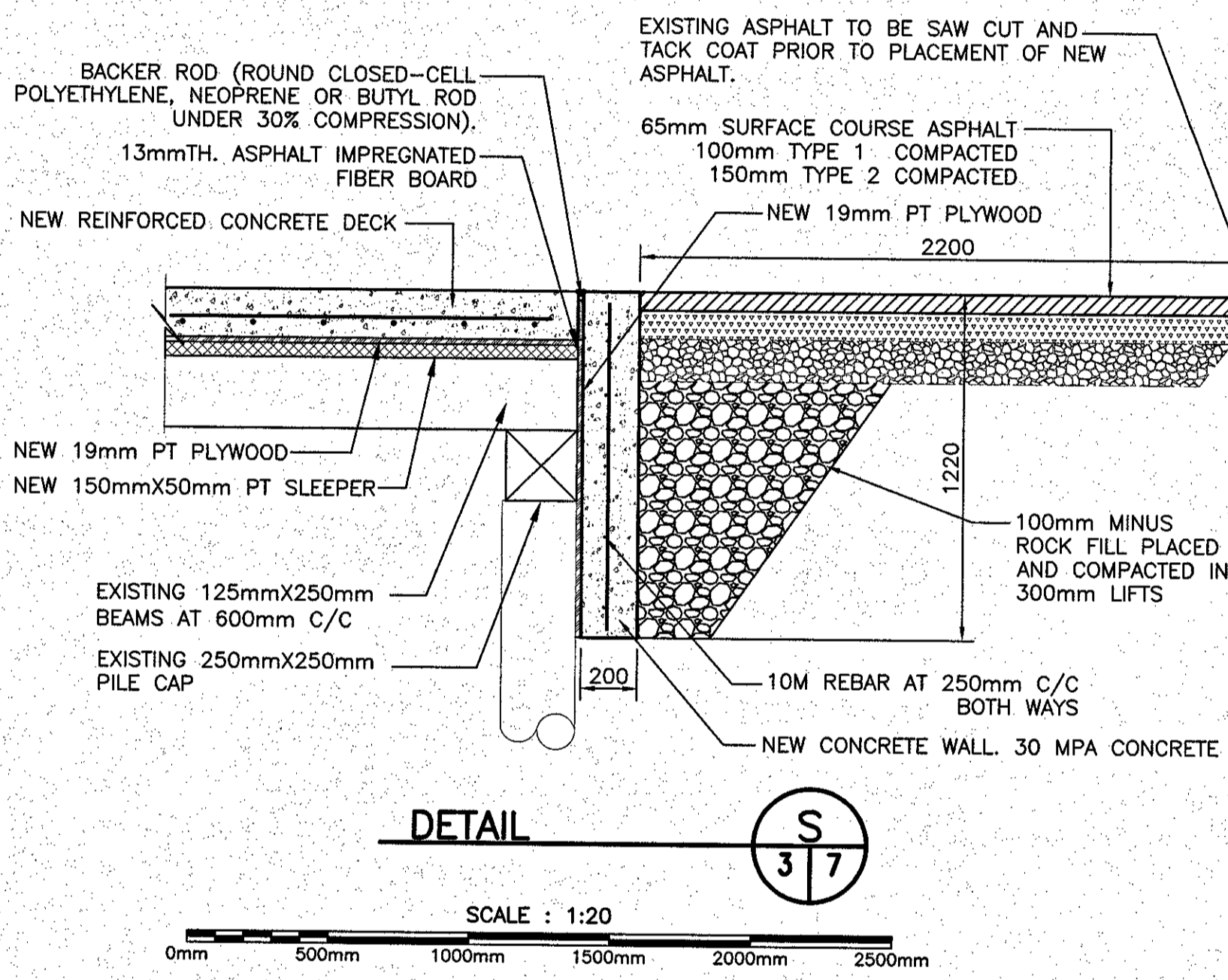
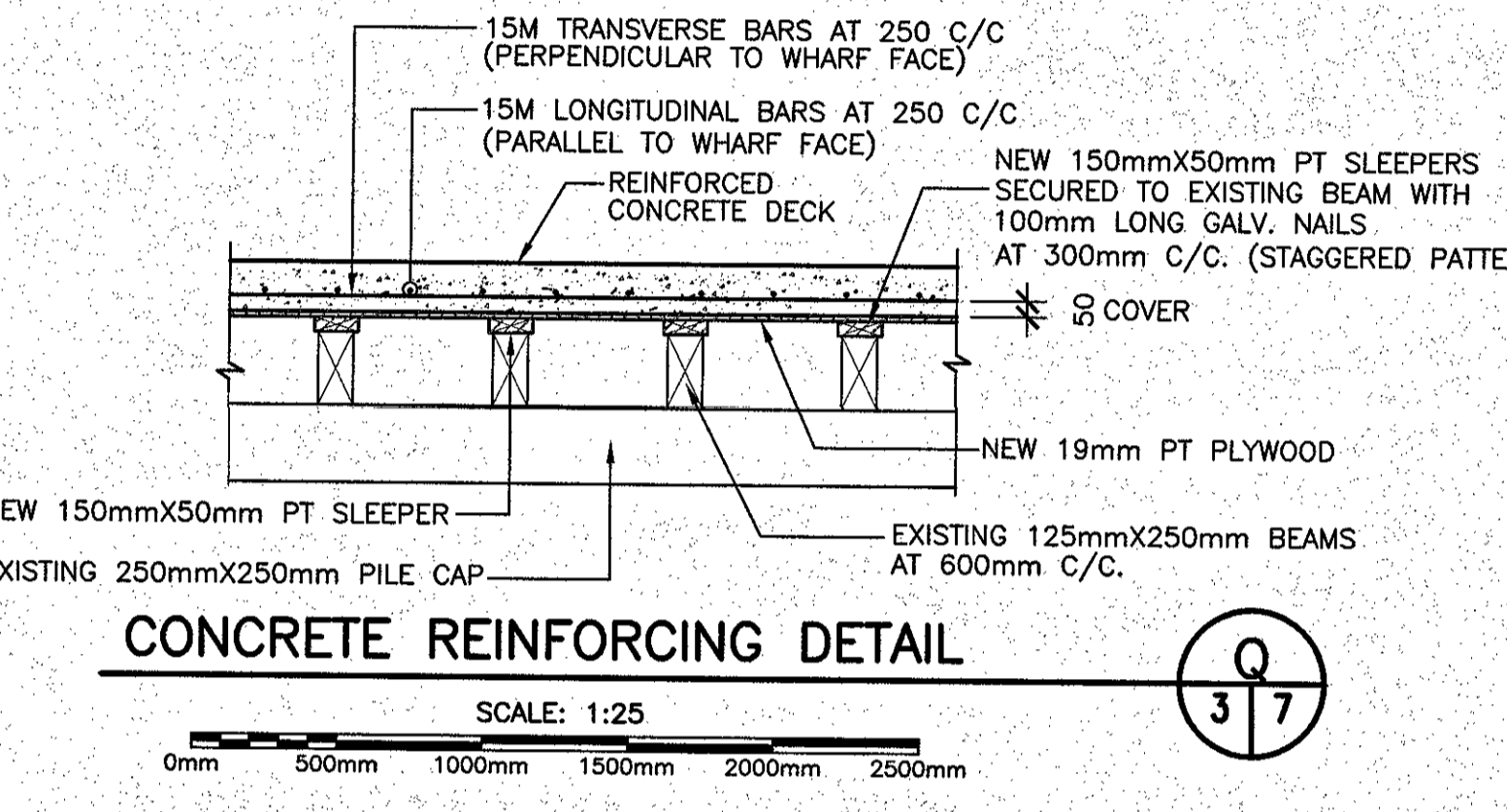
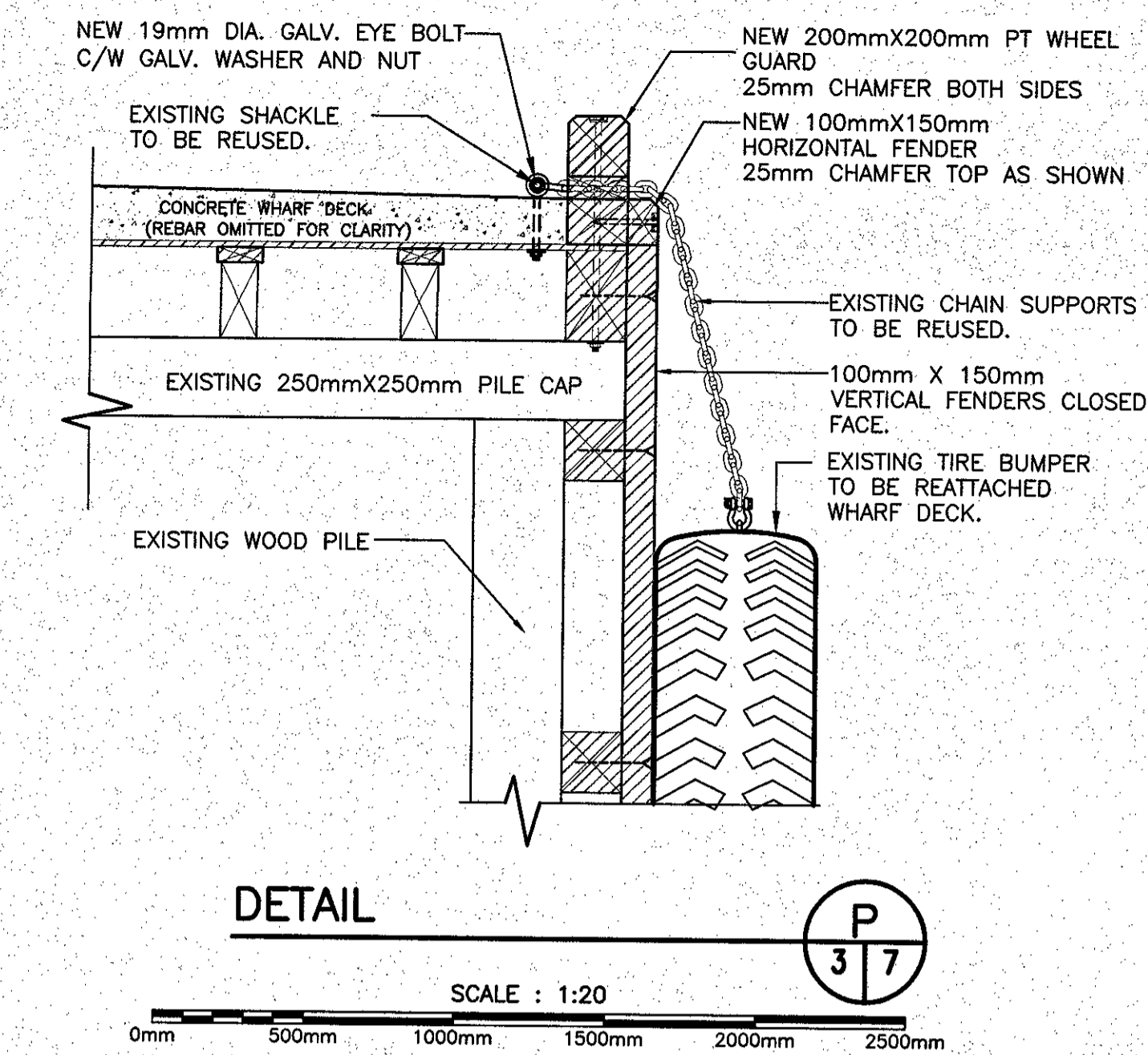
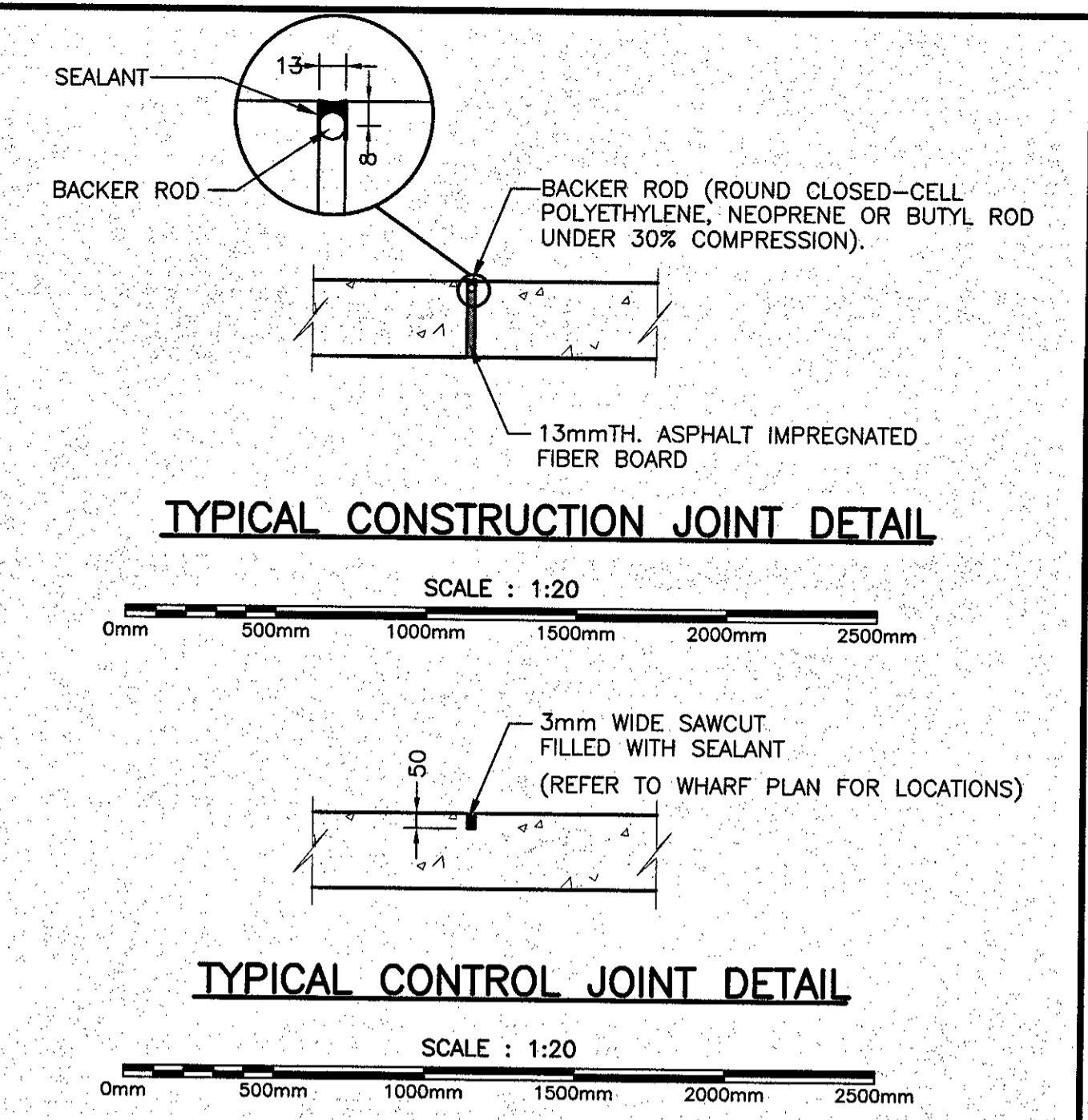
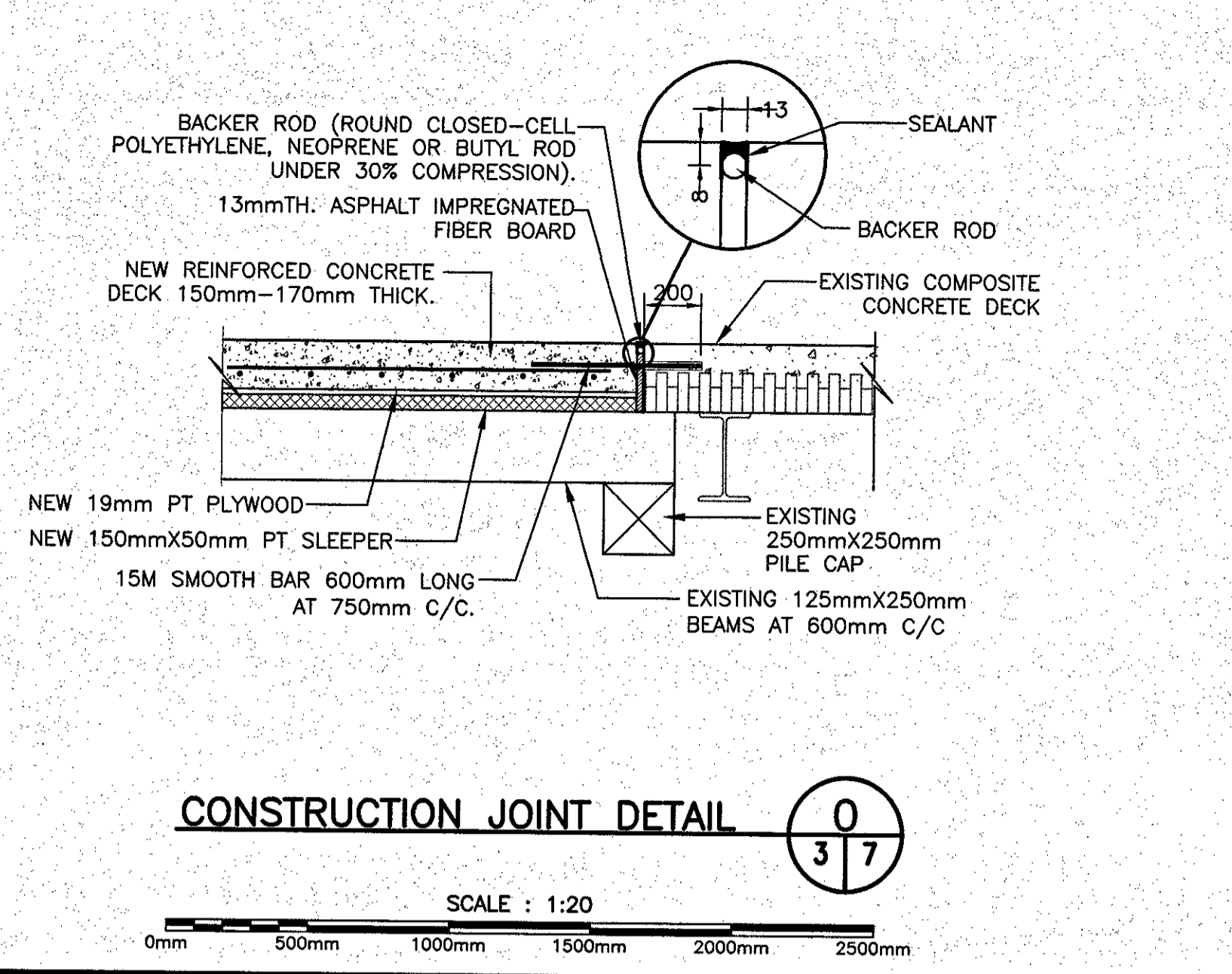
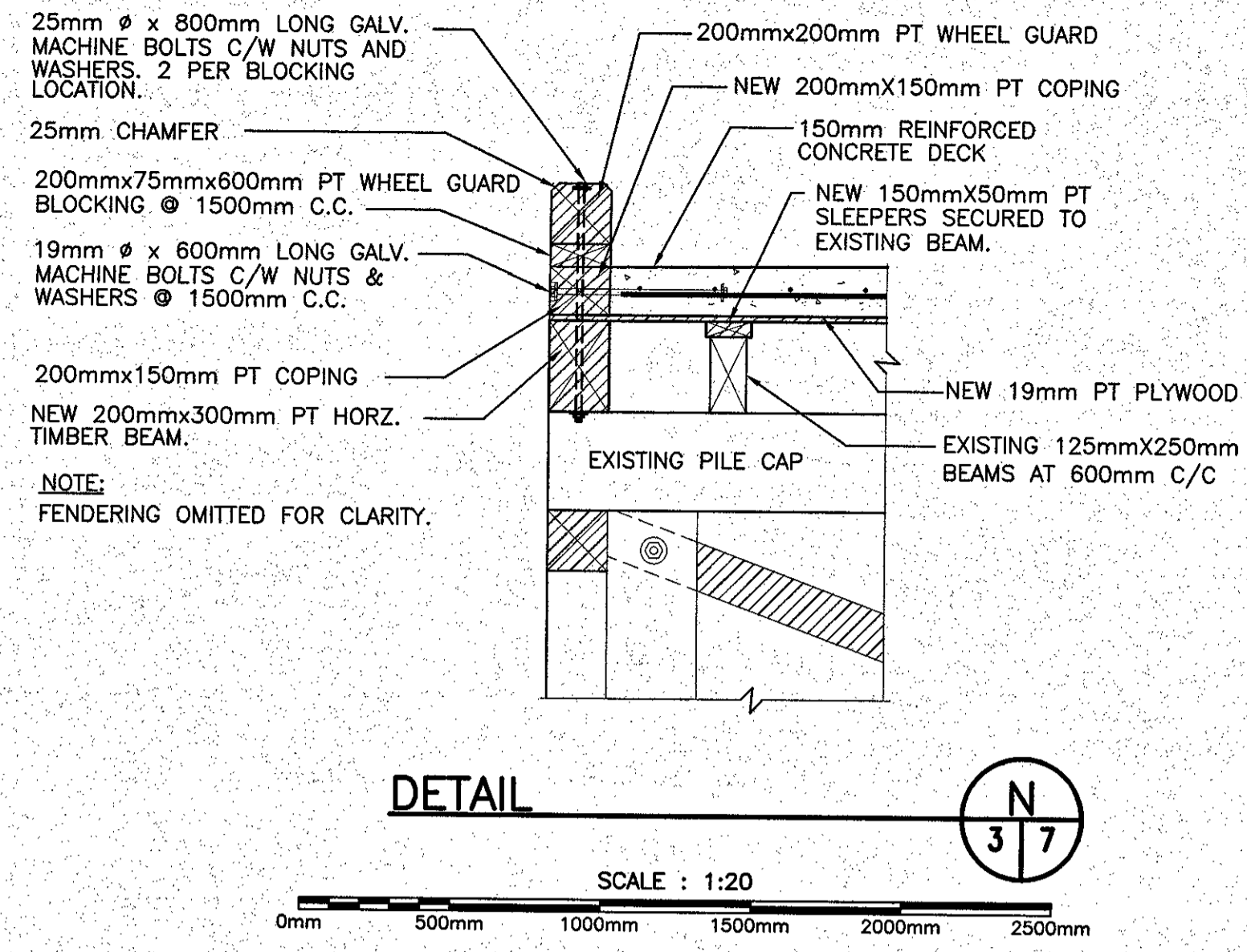


revisions		
A	ISSUED FOR TENDER	15/04/16
project		project

**WHARF REPAIRS
FRENCHMAN'S COVE, NL**

**WHARF
SECTIONS
AND DETAILS**

designed	W.J.A.	conqu
date	APRIL 2016	
drawn	R.S.H.	desainf
date	APRIL 2016	
approved		approvef
date		
Tender	Paul Curran	Soumission
PWOSC Project Manager	Administrateur de projets TPSGC	
project number	704122	no. du projet
drawing no.	6 of 7	no. du dessin



Fisheries and Oceans / Pêches et Océans Canada

Small Craft Harbours Ports Pour Petits Bateaux

PROVINCE OF NEWFOUNDLAND
PERMIT HOLDER
ANDERSON ENGINEERING CONSULTANTS LTD.
To produce Professional Engineering in Newfoundland and Labrador. Permit No. as issued by APESL 80022... which is valid for the year 2016.

revision	ISSUED FOR TENDER	15/4/16
project	WHARF REPAIRS FRENCHMAN'S COVE, NL	project
drawing	MISC. DETAILS	dessin
designed	W.J.A.	conçu
date	APRIL 2016	dessiné
drawn	R.S.H.	date
date	APRIL 2016	approved
approved		approuvé
date		date
Project Manager	Administrateur de projets TPSOC	no. du projet
project number	704122	no. du dessin
drawing no.	7 of 7	