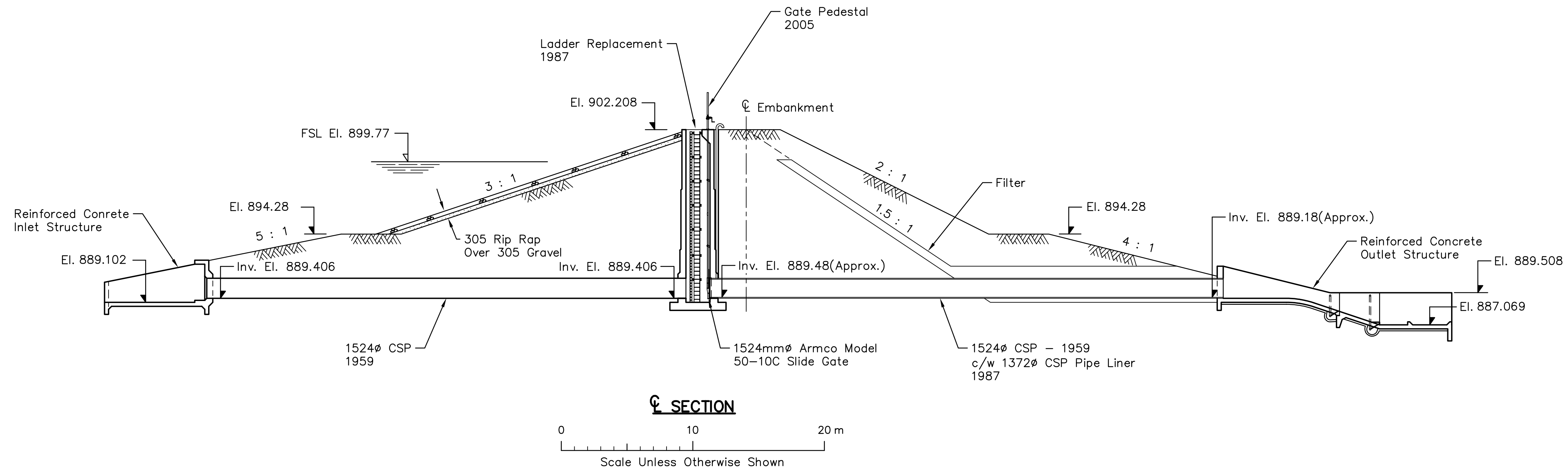
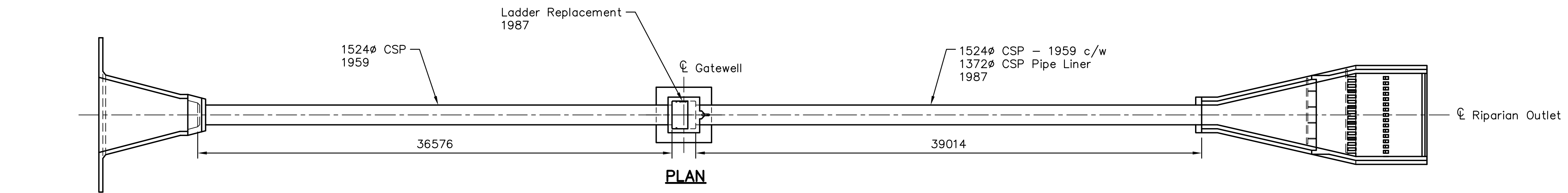


DRAWING LIST				
Plan No.	Title or Contract	Component	Date	
C5797	Riparian Outlet Works – General Plan – As Constructed	Site Plan	1958	
C5798	Inlet Structural & Reinforcing Details, Steel Schedule & Bar Shapes – As Constructed	Inlet	1958	
C5799	Riparian Outlet Works – Structural & Reinforcing Detail – As Constructed	Gatewell	1958	
5800-1	Outlet Structural & Reinforcing Details – As Constructed	Riparian Outlet	1958	
112896	Gatewell Ladder Replacement – Gatewell Details	Gatewell Ladder	1987	
112897	Gatewell Ladder Replacement – Ladder and Miscellaneous Details	Gatewell Ladder	1987	
112898	Gatewell Ladder Replacement – Specifications and Bill of Materials	Gatewell Ladder	1987	
C113224	Riparian Outlet Repairs – General Plan	Site Plan	1987	
C113225	Riparian Outlet Repairs – Details	Downstream Conduit	1987	
C113226	Riparian Outlet Repairs – Specifications	Downstream Conduit	1987	
208057	LC-24 Lift for an Existing 1524x1524 Cast Iron Gate	Gatewell	2005	
C208542	Riparian Outlet – General Plan and Details (Compiled)	Riparian Outlet	2011	



ALL DIMENSION, STATIONING AND ELEVATIONS ARE IN METRES UNLESS OTHERWISE SHOWN.

Mark	Grid Ref.	Nature of Revision	Date	Eng.	Draft.

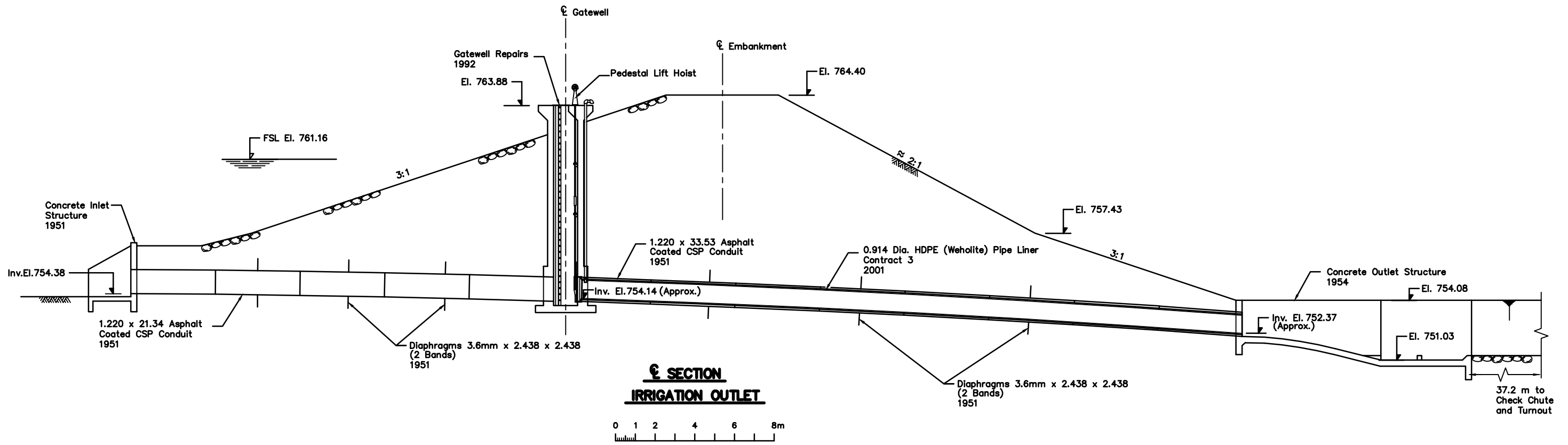
Designed	Approved <i>Wayne Carbon</i>
Drawn AP	Position Title Manager, Dam Safety Unit
Checked	Date Sept. 19/2011

AESB - DGSA
 Agri-Environment Services Branch
 Direction générale des services agroenvironnementaux

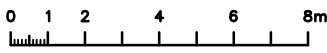
Canada

ALTAWAN DAM			
RIPARIAN OUTLET PLAN AND CROSS SECTION – 2011 CURRENT CONFIGURATION AND DRAWING LIST			
Scale As Shown	Date September 2011	Sheet 3 of 3	C208539

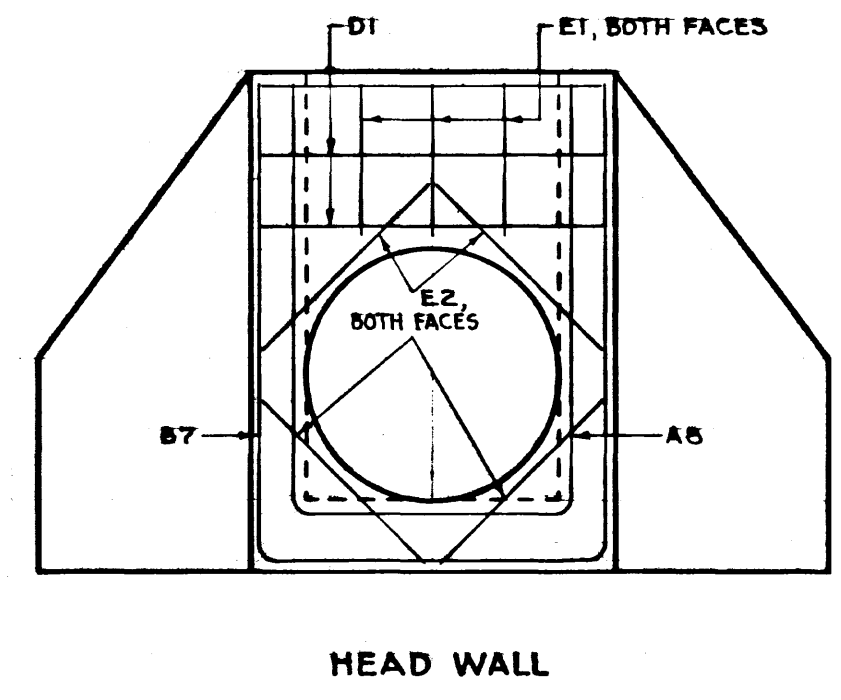
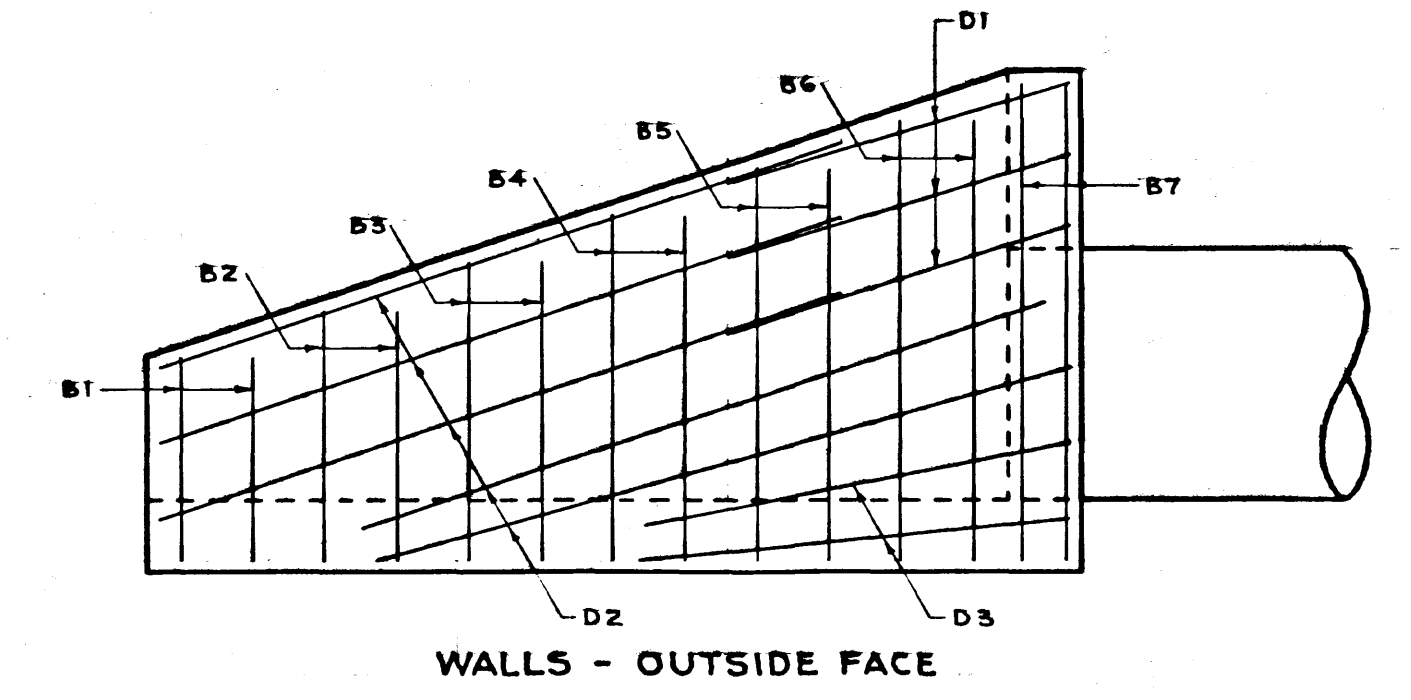
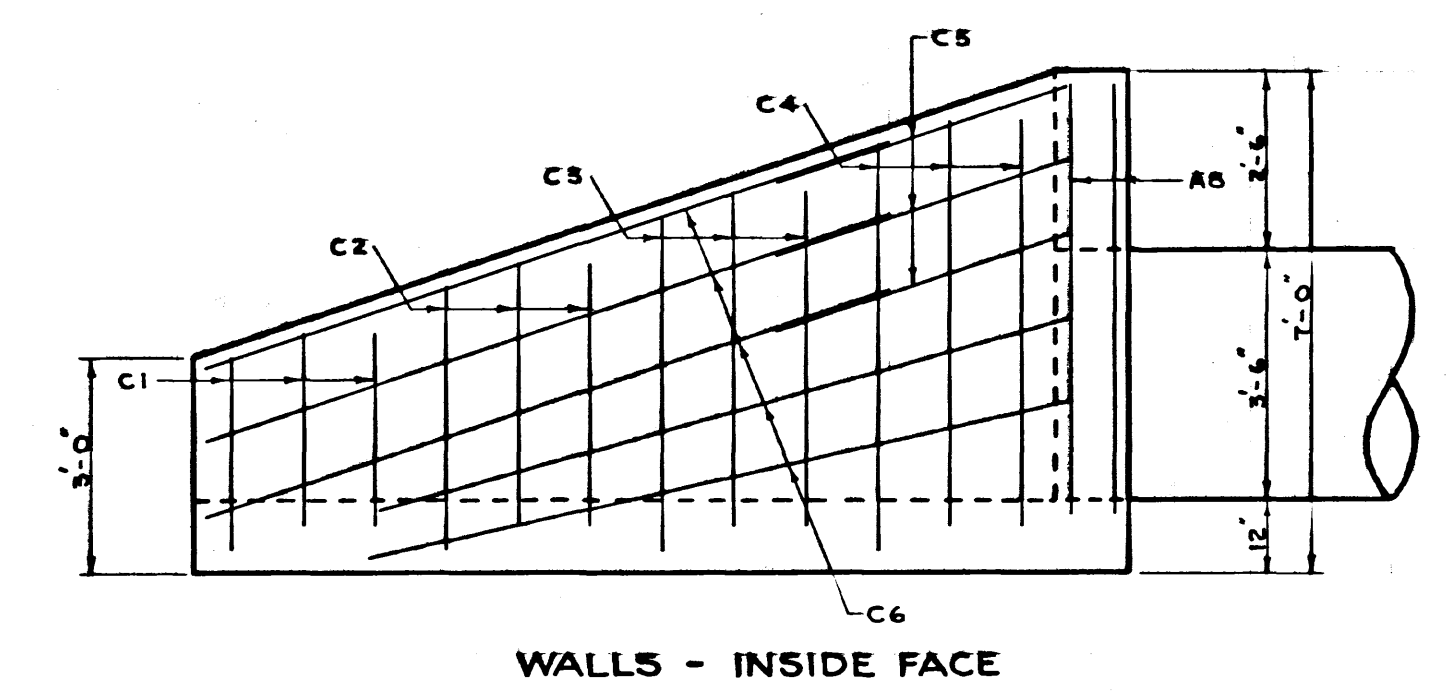
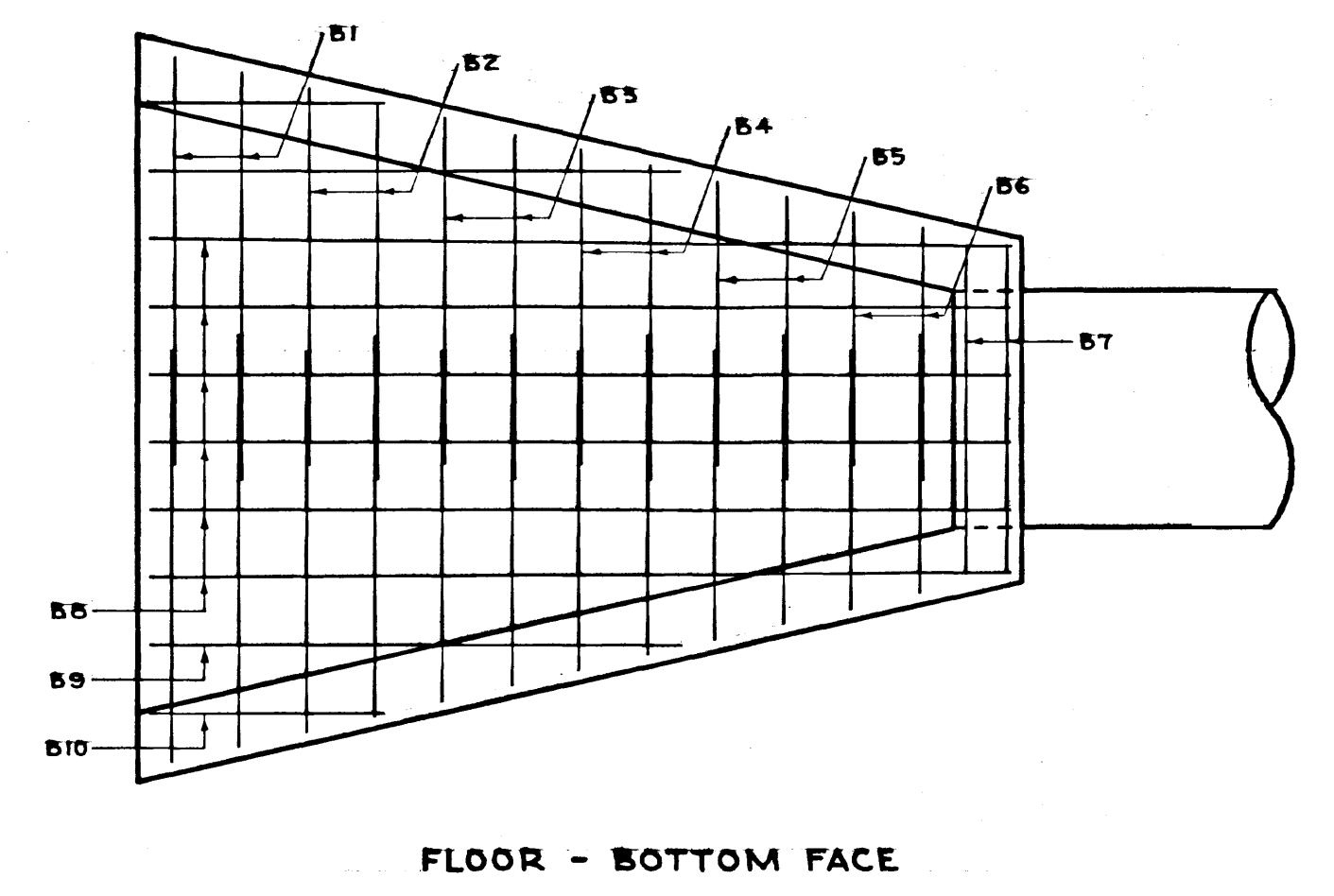
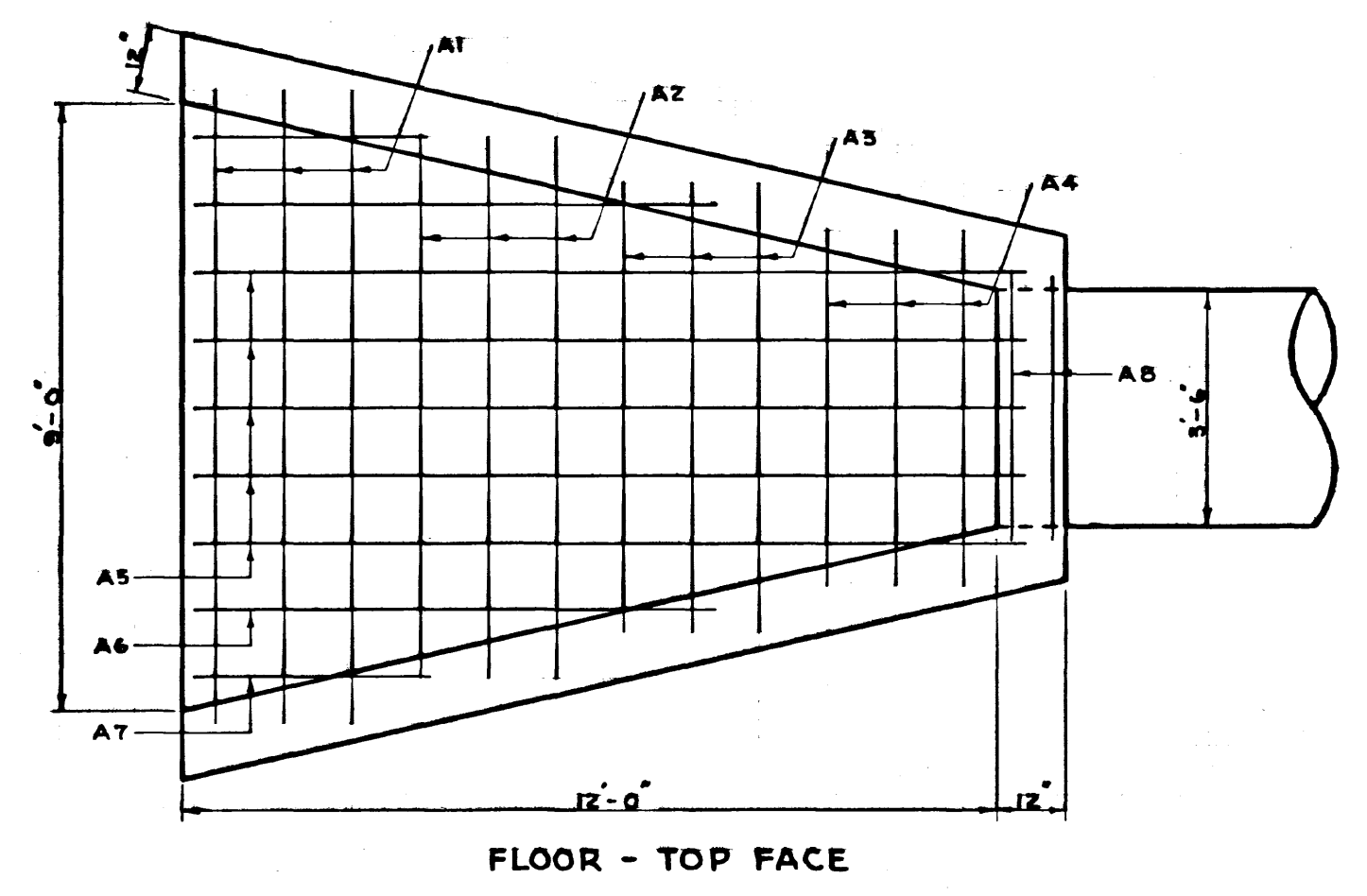
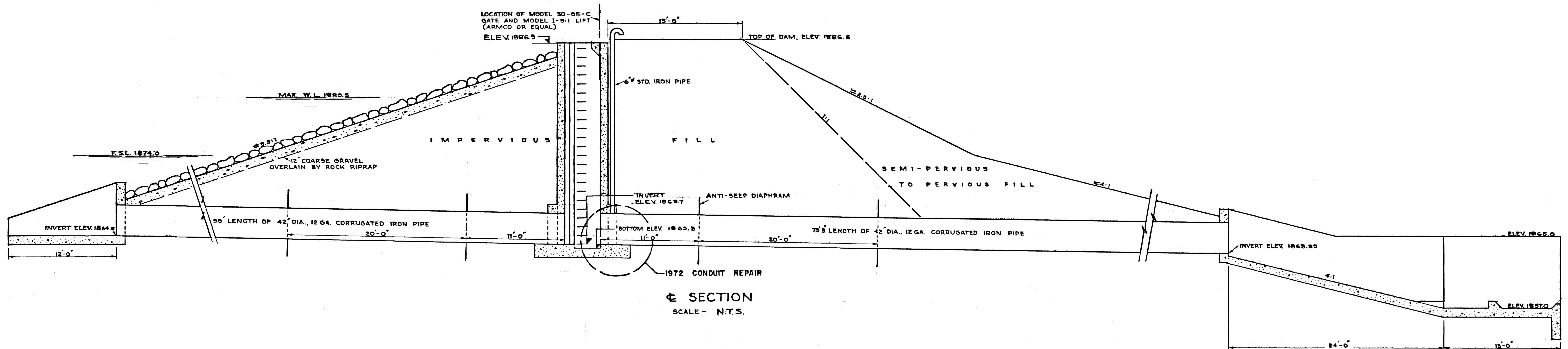
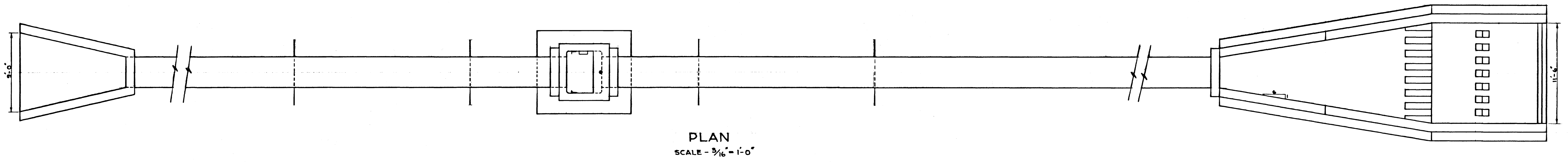
DRAWING LIST			
Plan No.	Title or Contract	Component	Date
C26809	Detail Plan of Pipe Installation – Gouverneur – Vanguard Dam	Conduit	1951
C292	General Layout and Steel Details – Outlet and Check Outlet Structures	Conduit, Check Chute, Turnout	1954
205350	Spillway and Gatewell Repairs – 1992	Gatewell	1993
C207437	Contract 3 – Outlet Conduit Rehabilitation – Vicinity Map and Drawing Index	Site Plan	2001
C207438	Contract 3 – Outlet Conduit Rehabilitation – Site Plan	Site Plan	2001
C207439	Contract 3 – Outlet Conduit Rehabilitation – Centerline Profile of Existing Irrigation Outlet Works	Irrigation Outlet	2001
C207440	Contract 3 – Outlet Conduit Rehabilitation – Downstream Conduit Lining Details – Sheet 1 of 2	Conduit	2001
C207441	Contract 3 – Outlet Conduit Rehabilitation – Downstream Conduit Lining Details – Sheet 2 of 2	Conduit	2001



**SECTION
IRRIGATION OUTLET**



					Designed	Approved	GOUVERNEUR DAM				
					Drawn TD	Position Title	AESB - DGSA Agri-Environment Services Branch Direction générale des services agroenvironnementaux				
					Checked	Date April 16, 2011	IRRIGATION OUTLET CROSS SECTION – 2011 CURRENT CONFIGURATION AND DRAWING LIST				
Mark	Grid Ref.	Nature of Revision	Date	Eng.	Draft.			Scale As Shown	Date April 2011	Sheet 3 of 3	C208478



INLET DETAILS
NOTE: STEEL REINFORCEMENT IS NO. 6 BARS AT 12" O.C. THROUGHOUT
SCALE - 3/8" = 1'-0"

- NOTES**
1. THE BASIC STRUCTURE ARRANGEMENT AS DEPICTED ON THIS DRAWING, REPRESENTS EXISTING CONDITIONS AS OF NOVEMBER 1980 *R. Robertson* DATE JAN 21/81
 2. TO OBTAIN GEODETIC ELEVATIONS, SUBTRACT 1.6 FEET FROM ALL ELEVATIONS SHOWN.
 3. REFER TO DWG. 92480 AND REPORT DATED NOV./72 FOR RIPARIAN CONDUIT REPAIRS.
 4. REFER TO DWG. C98447 FOR INFORMATION SHOWING 1980 REPAIRS.

DEPARTMENT OF AGRICULTURE - CANADA
P. F. R. A.
WATER DEVELOPMENT BRANCH

PHEASANT CREEK STORAGE PROJECT
RIPARIAN OUTLET
GENERAL PLAN & INLET DETAILS
AS CONSTRUCTED

SCALE - AS SHOWN	DATE - SEPT. 1985	SHEET -
SUBMITTED BY _____	DESIGNED BY <u>N.H.J.</u>	
DATE _____	DRAWN BY <u>J.O.H.</u>	
APPROVED BY _____	CHECKED BY _____	
	CHIEF ENGINEER	
	PHEASANT CREEK	PR-1392

C305-D8