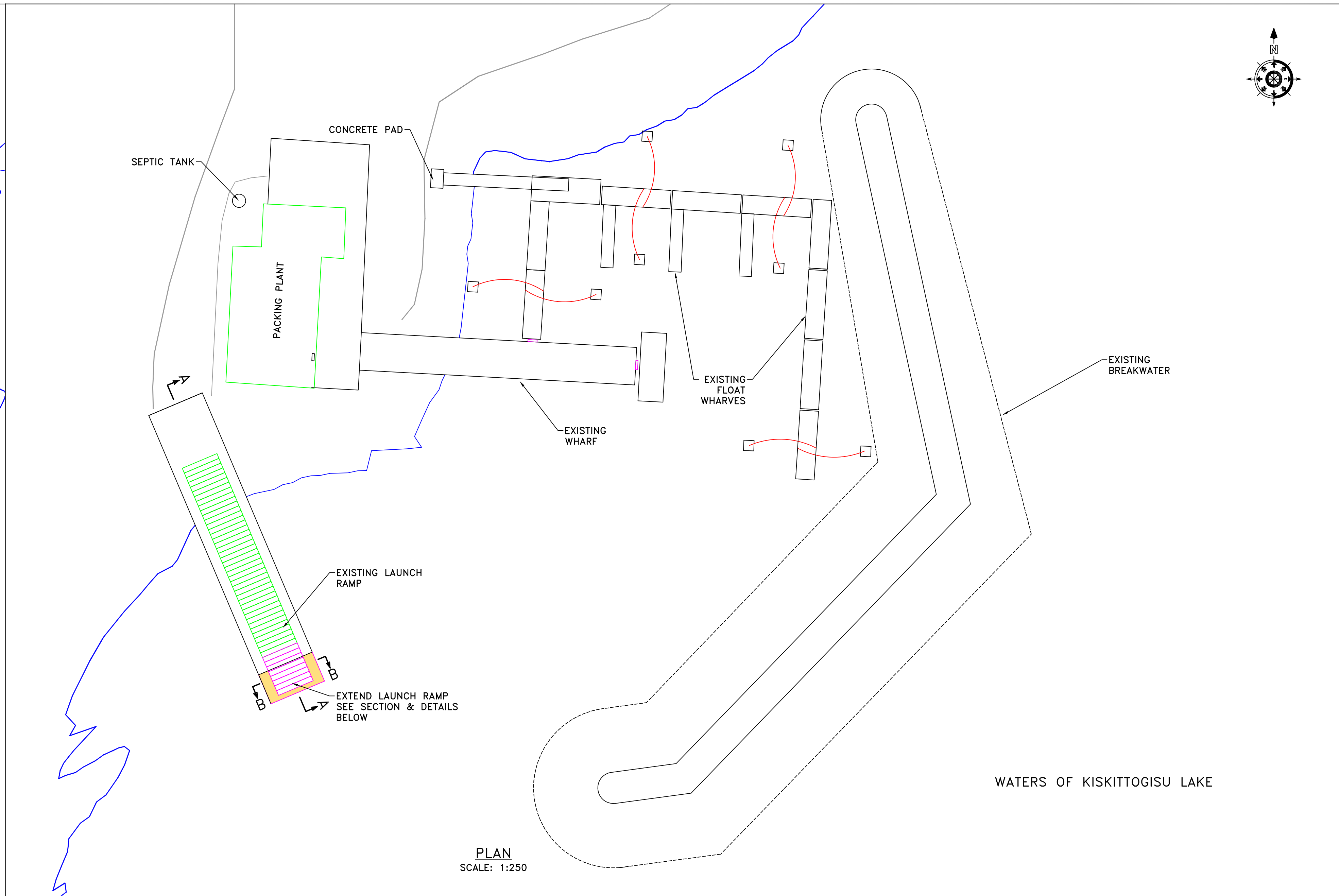
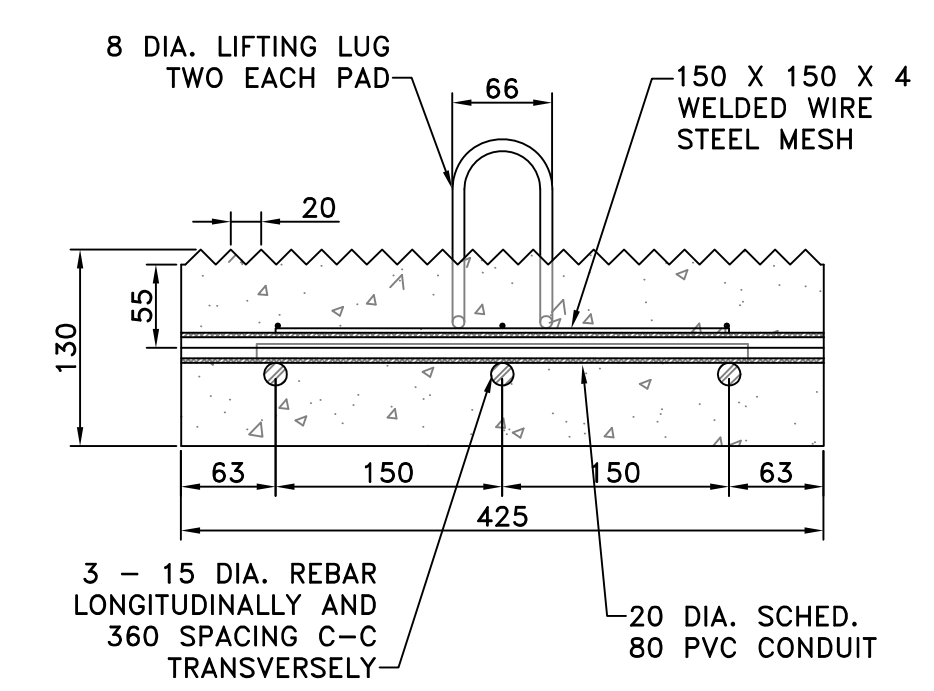


LOCATION CHART
NOT TO SCALE

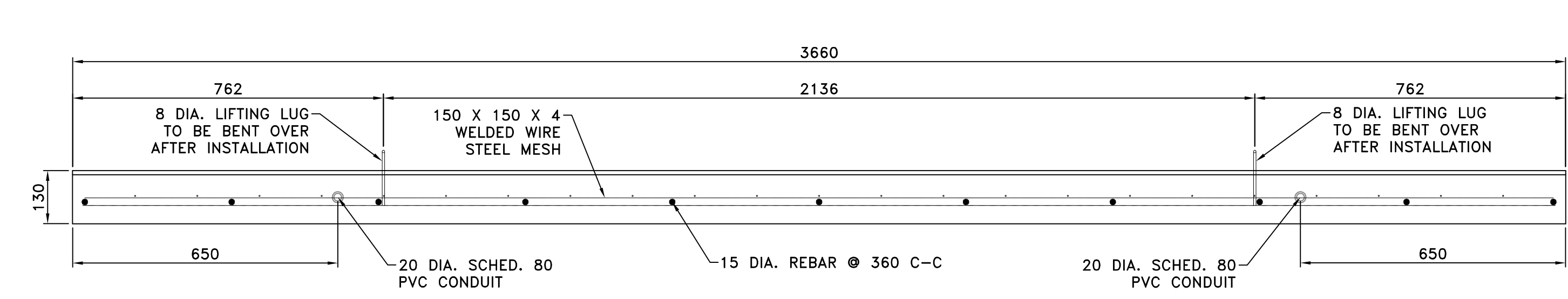


PLAN
SCALE: 1:250

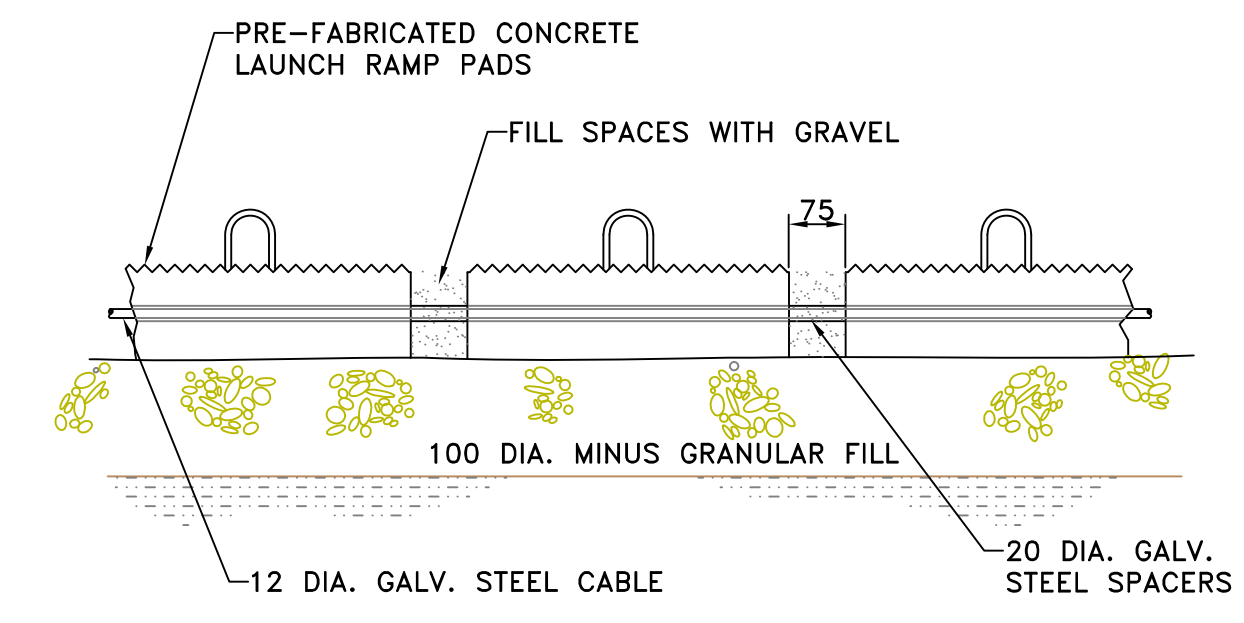
- NOTES:
- DIMENSIONS ARE IN MILLIMETRES UNLESS OTHERWISE STATED
 - ELEVATIONS ARE GIVEN USING THE CANADIAN VERTICAL GEODETIC DATUM OF 1927 (CVGD27)
 - ATTACH NEW 12# STEEL CABLE TO CABLE ALONG SIDE OF EXISTING LAUNCH RAMP PADS ABOVE WATER LINE



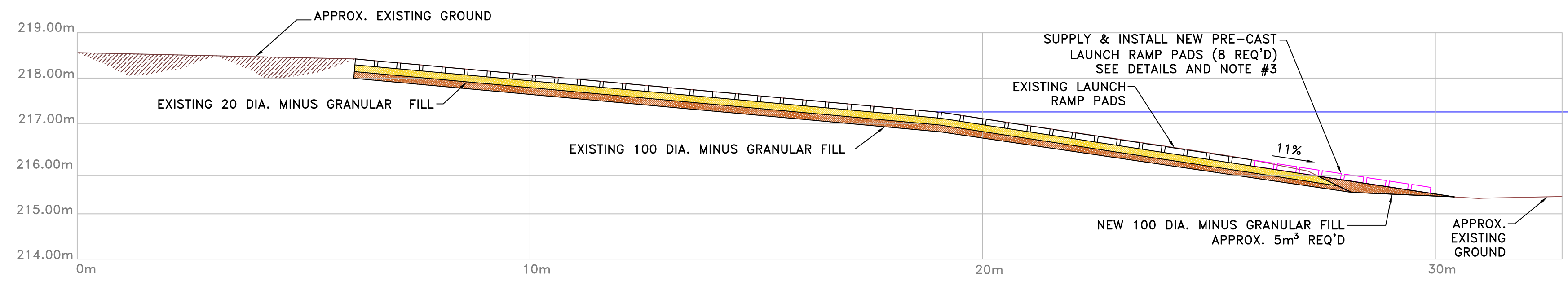
PRECAST CONCRETE PAD DETAIL
SCALE = 1:5



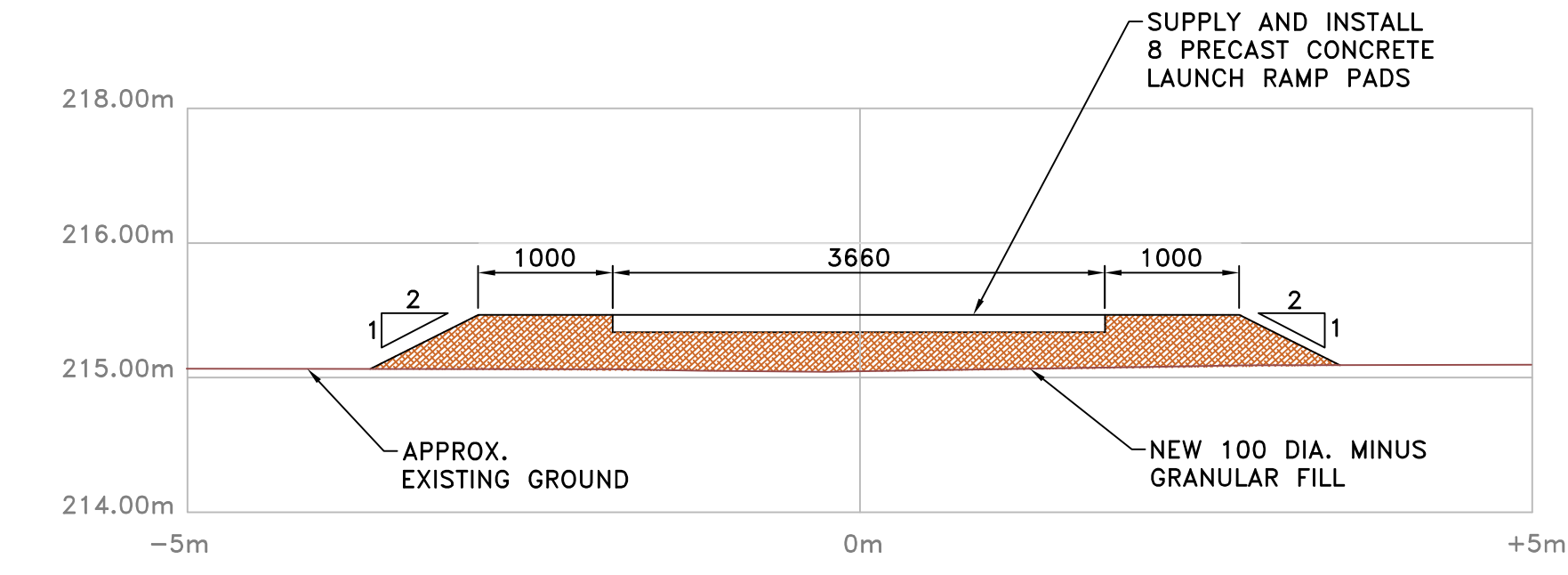
PRECAST CONCRETE PAD SECTION
SCALE = 1:10



PRECAST CONCRETE PAD ASSEMBLY DETAIL
SCALE = 1:10



SECTION A-A
SCALE: 1:75



SECTION B-B
SCALE: 1:50

REVISIONS:	DATE:
0 ISSUED FOR TENDER	APRIL 2016

SCALE: AS SHOWN	CLASS:
-----------------	--------

PROJECT: HARBOUR IMPROVEMENTS

DESCRIPTION: PLAN & CONSTRUCTION DETAILS

DRAWN: D.S.	APPROVED: A.B.
-------------	----------------

DATE: APRIL 2016	DATE: APRIL 2016
------------------	------------------

LOCATION: WHISKEY JACK PORTAGE MANITOBA

DRAWING NO.: C-4 OF 4	LOCATOR CODE: 5551
-----------------------	--------------------