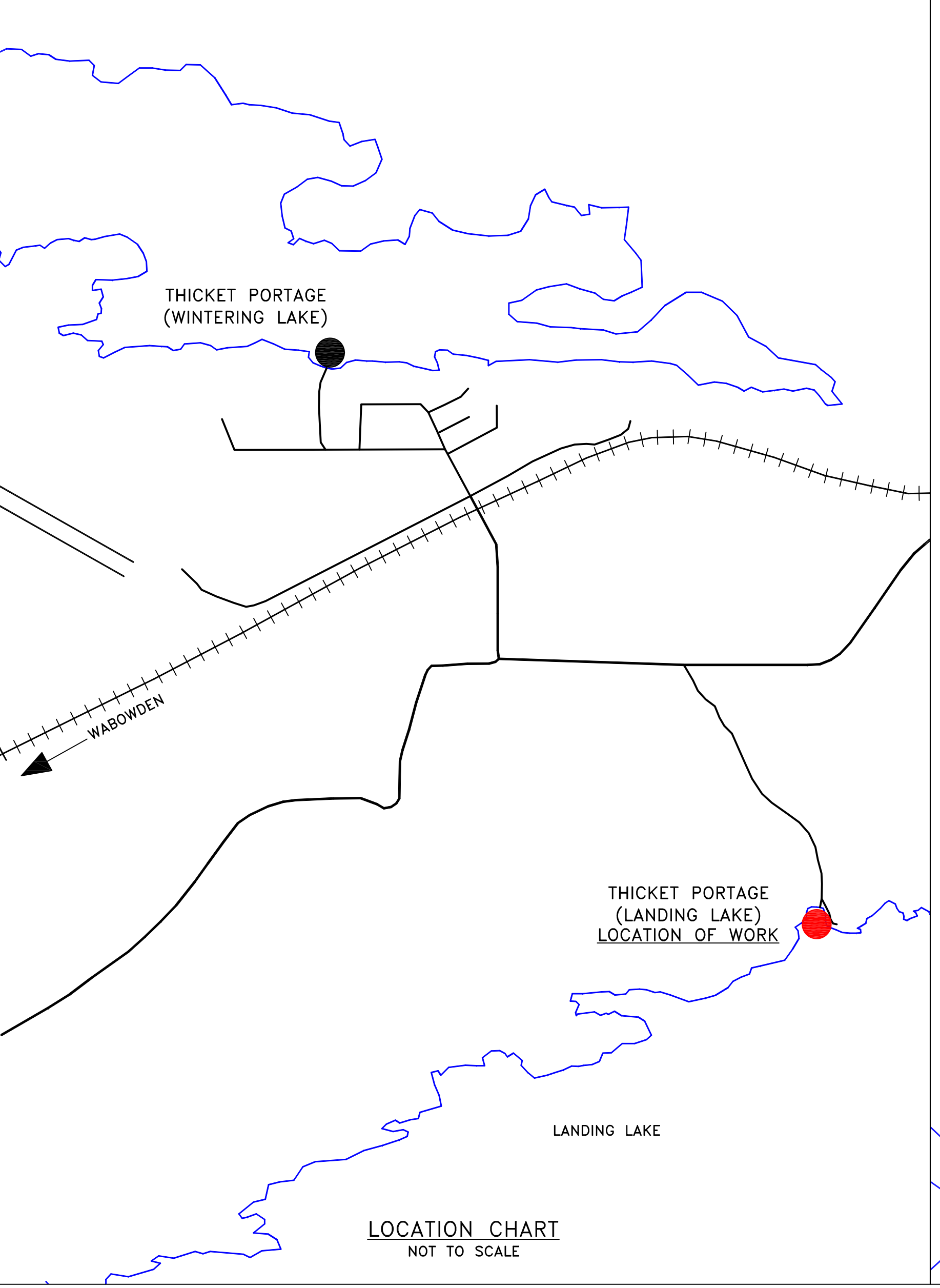


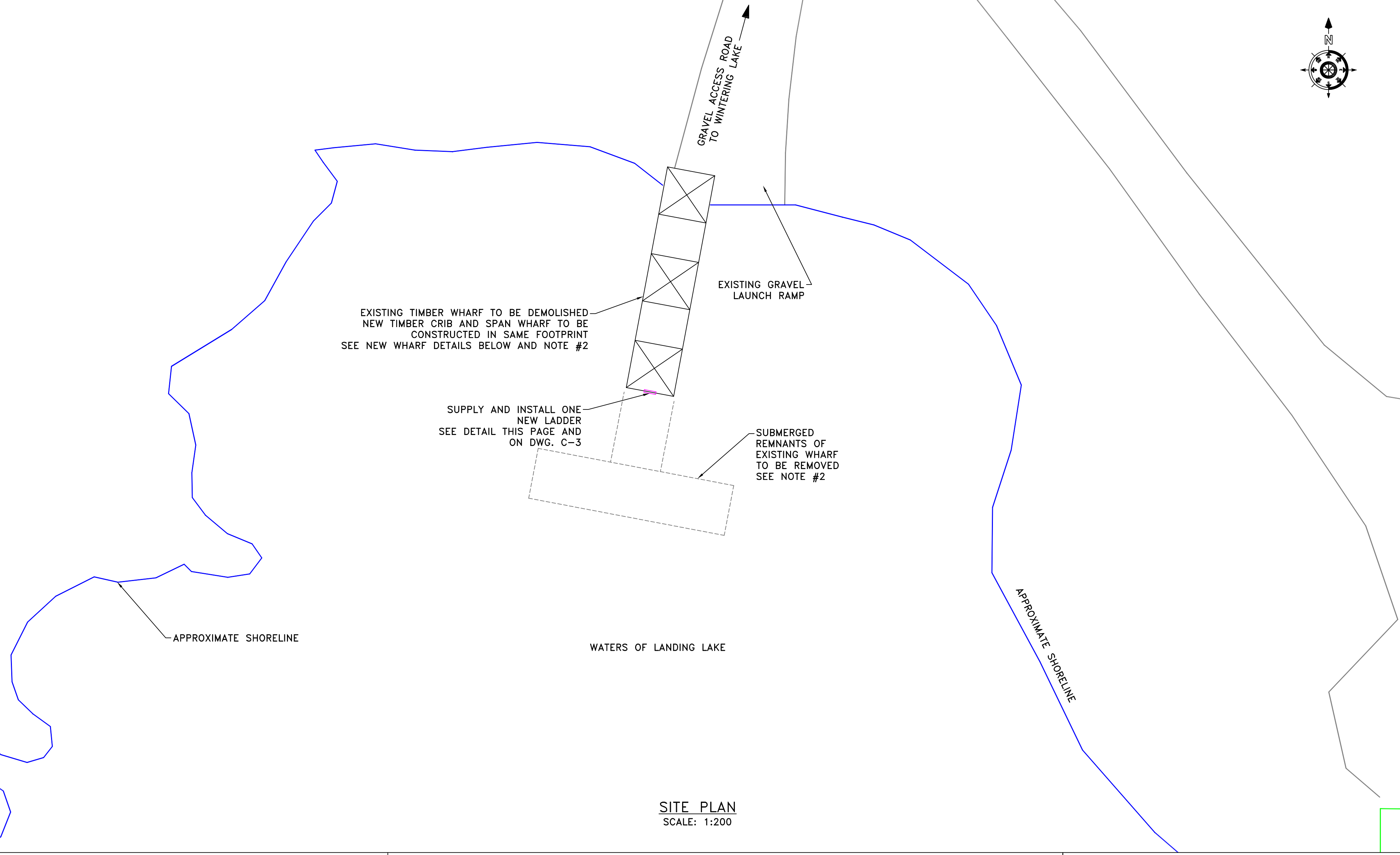
SMALL CRAFT HARBOURS
CENTRAL AND ARCTIC REGION



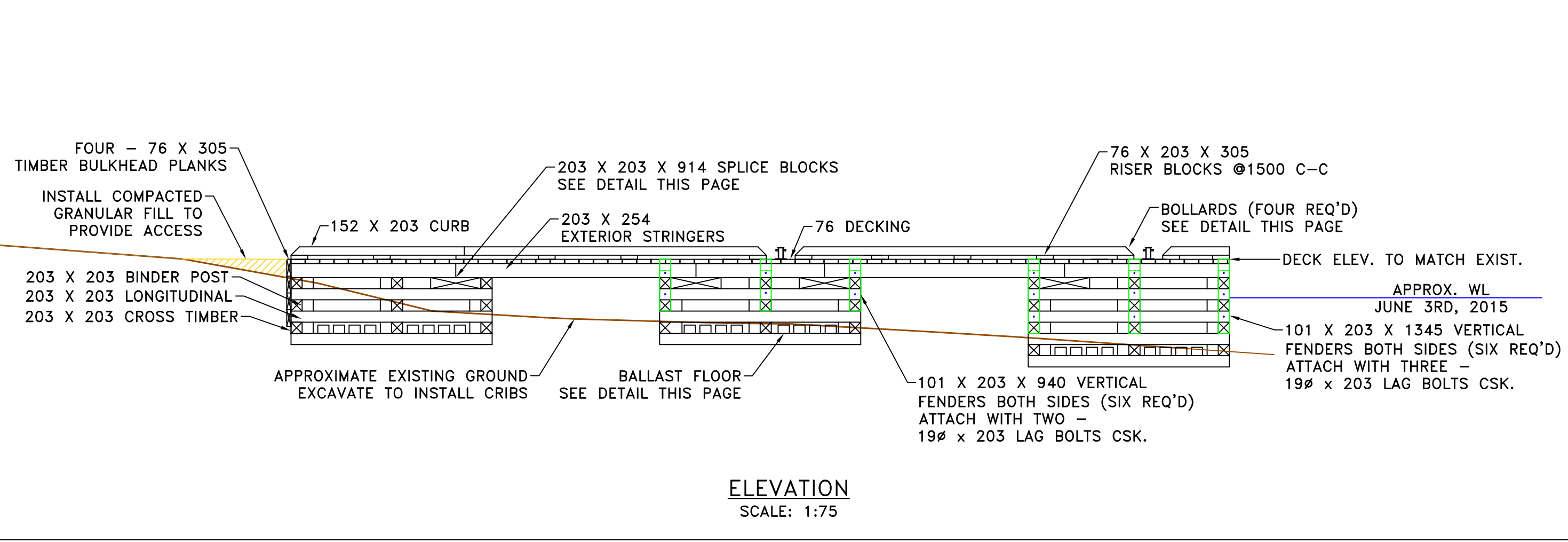
- NOTES:
1. DIMENSIONS ARE IN MILLIMETRES UNLESS OTHERWISE STATED
 2. CONTRACTOR TO SWEEP THE AREA, APPROXIMATELY THREE METRES ALL AROUND EXISTING WHARF TO ENSURE ALL DEBRIS AND REMNANTS ARE REMOVED
 3. CONTRACTOR TO PROVIDE 72 HOURS NOTICE PRIOR TO SINKING CRIBS



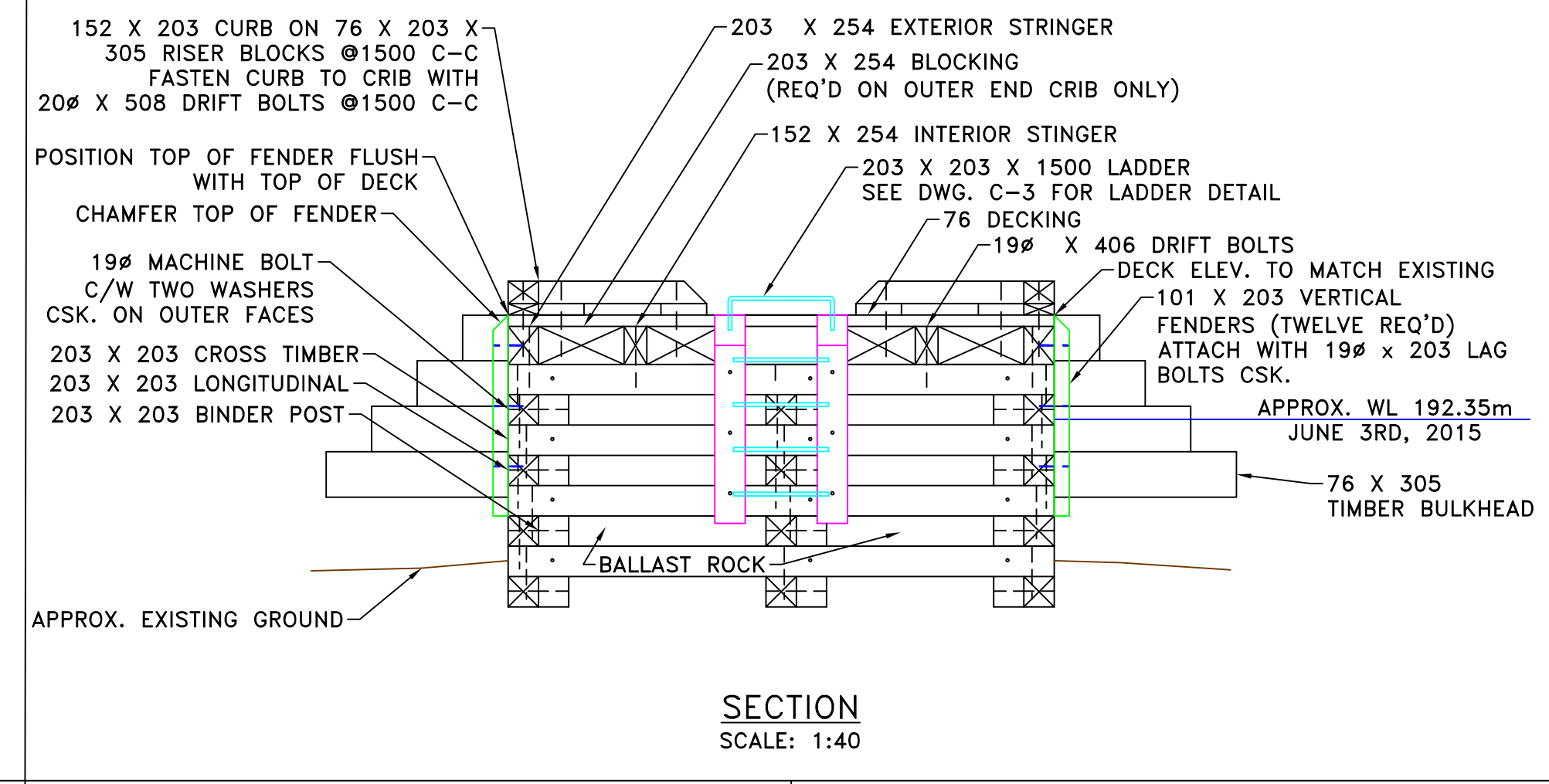
LOCATION CHART
NOT TO SCALE



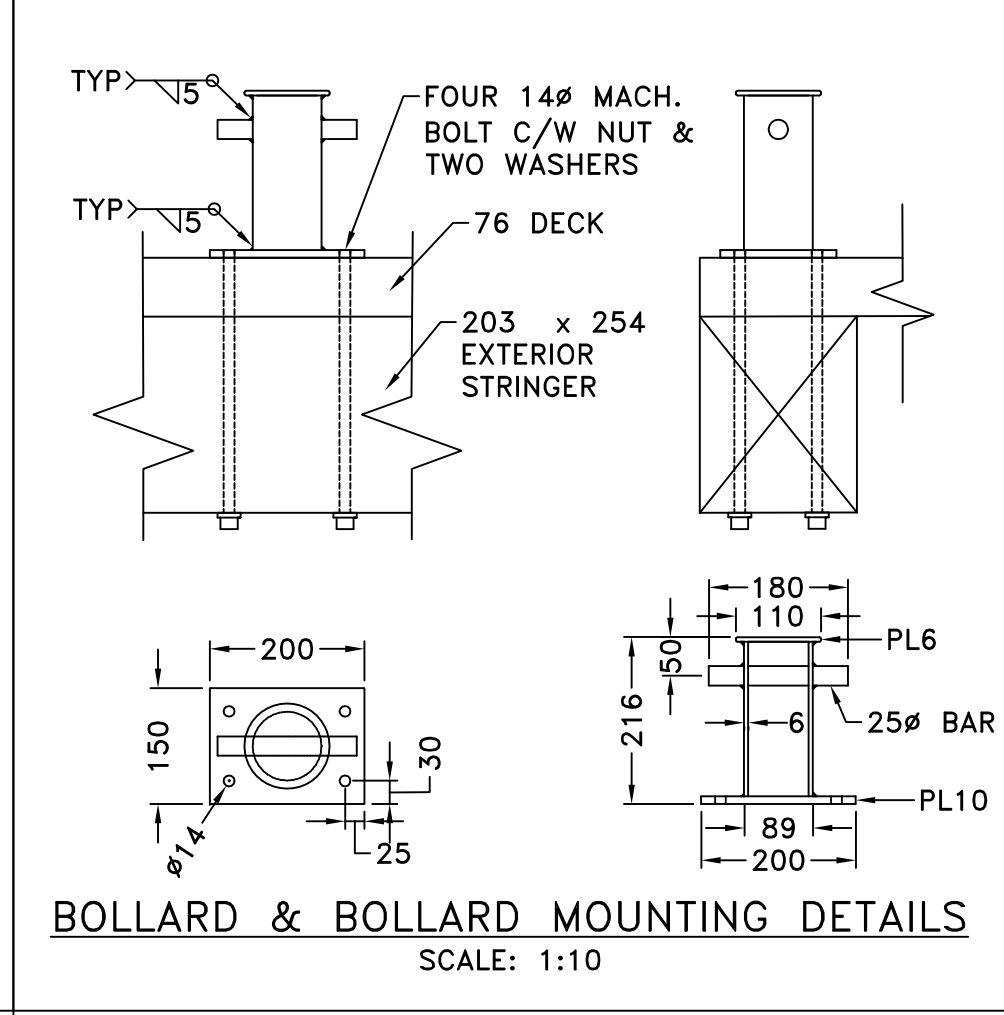
SITE PLAN
SCALE: 1:200



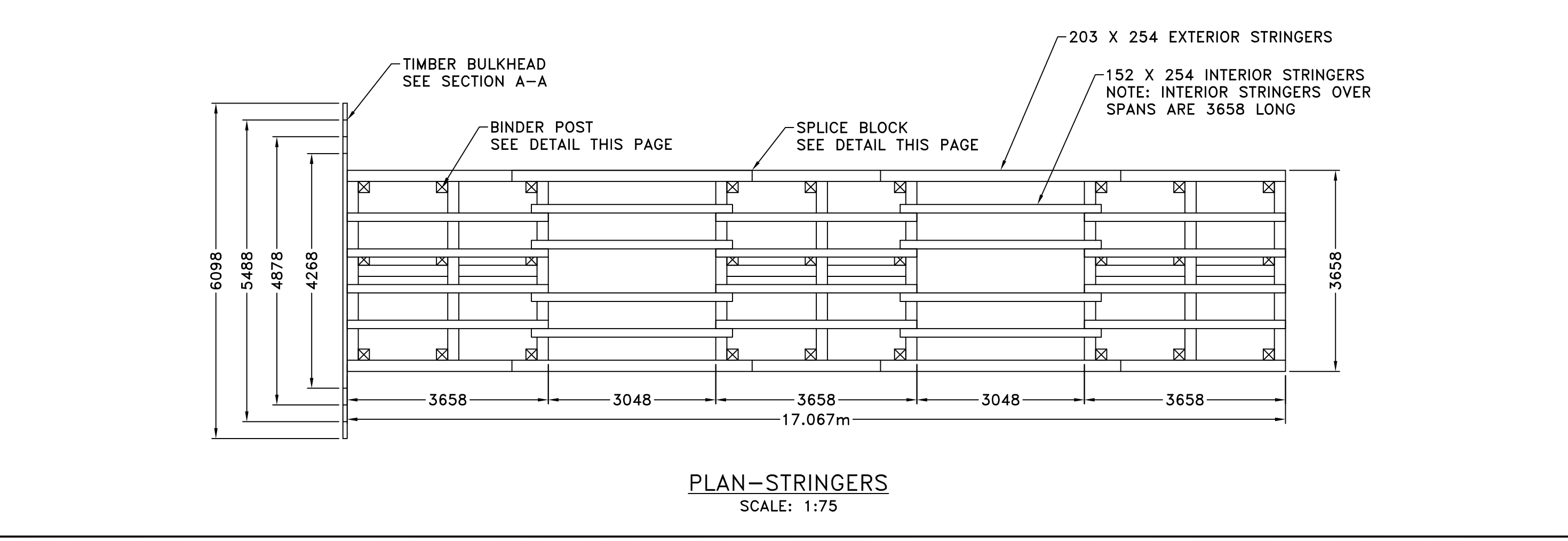
ELEVATION
SCALE: 1:75



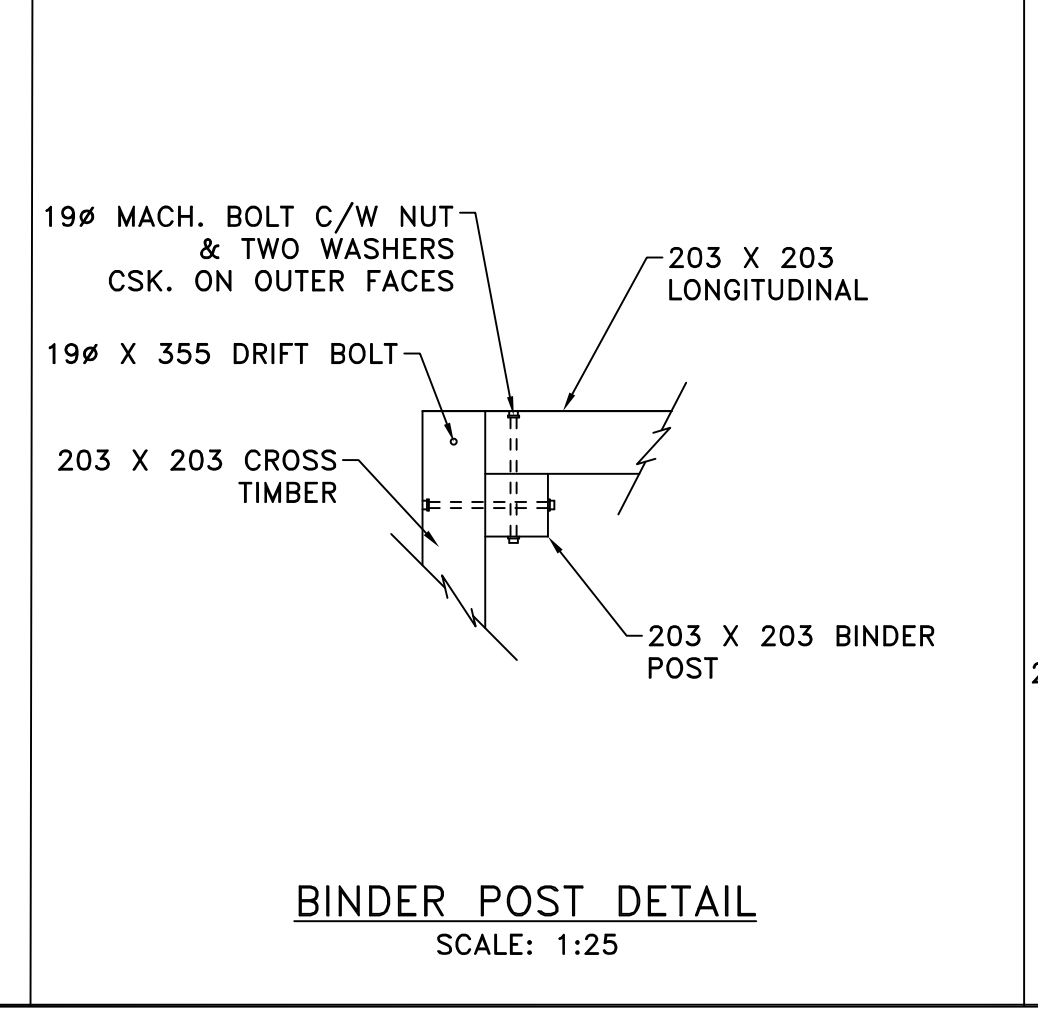
SECTION
SCALE: 1:40



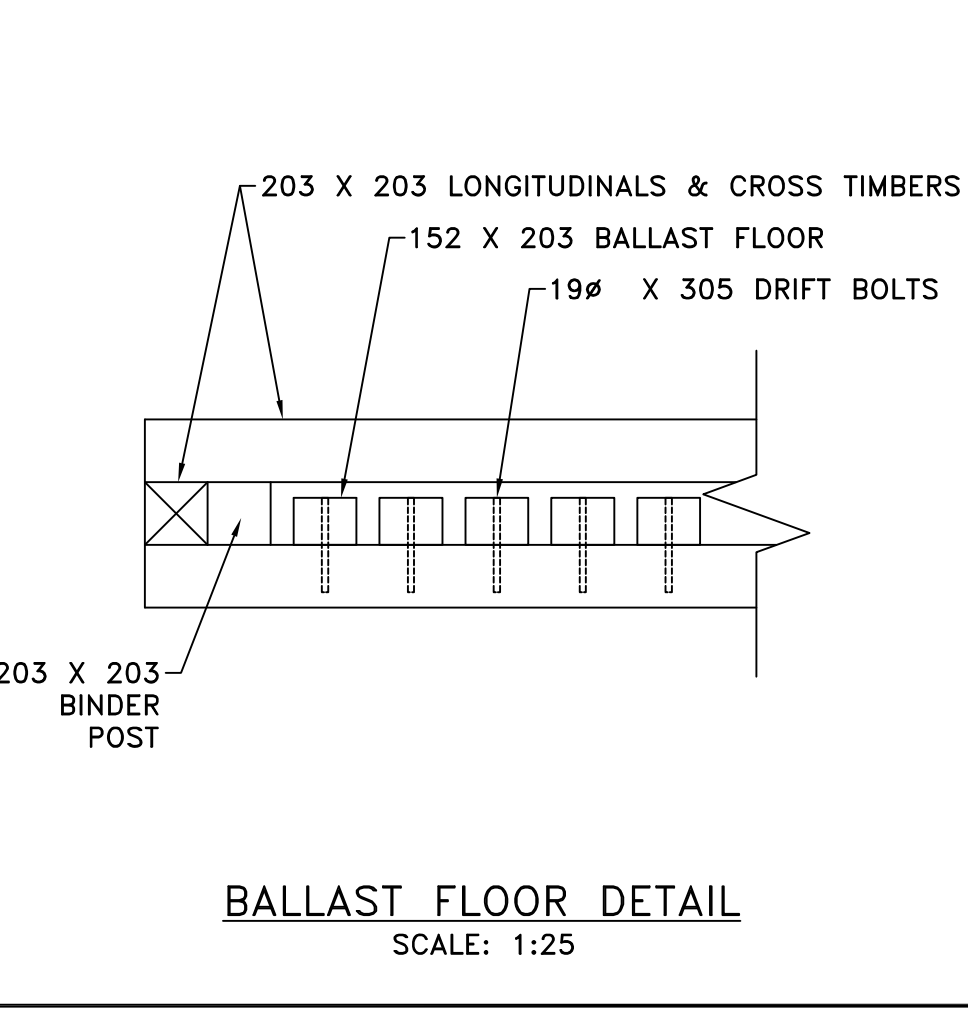
BOLLARD & BOLLARD MOUNTING DETAILS
SCALE: 1:10



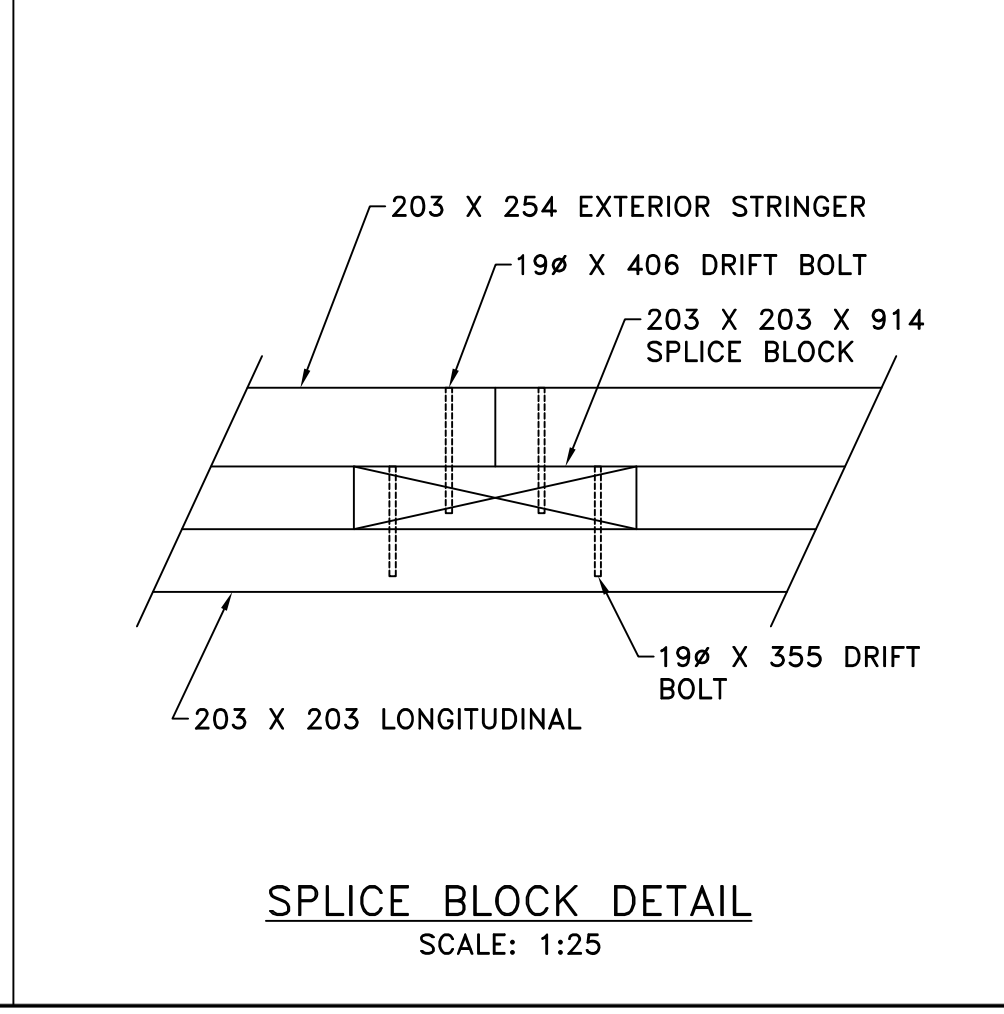
PLAN-STRINGERS
SCALE: 1:75



BINDER POST DETAIL
SCALE: 1:25



BALLAST FLOOR DETAIL
SCALE: 1:25



SPLICE BLOCK DETAIL
SCALE: 1:25

REVISIONS:	DATE:
0 ISSUED FOR TENDER	APRIL 2016

SCALE: AS SHOWN CLASS:

PROJECT: HARBOUR IMPROVEMENTS

DESCRIPTION: PLAN AND CONSTRUCTION DETAILS

DRAWN: D.S.	APPROVED: A.B.
DATE: APRIL 2016	DATE: APRIL 2016

LOCATION: THICKET PORTAGE (LANDING LAKE) MANITOBA

DRAWING NO.: C-1 OF 4	LOCATOR CODE: 5546
-----------------------	--------------------