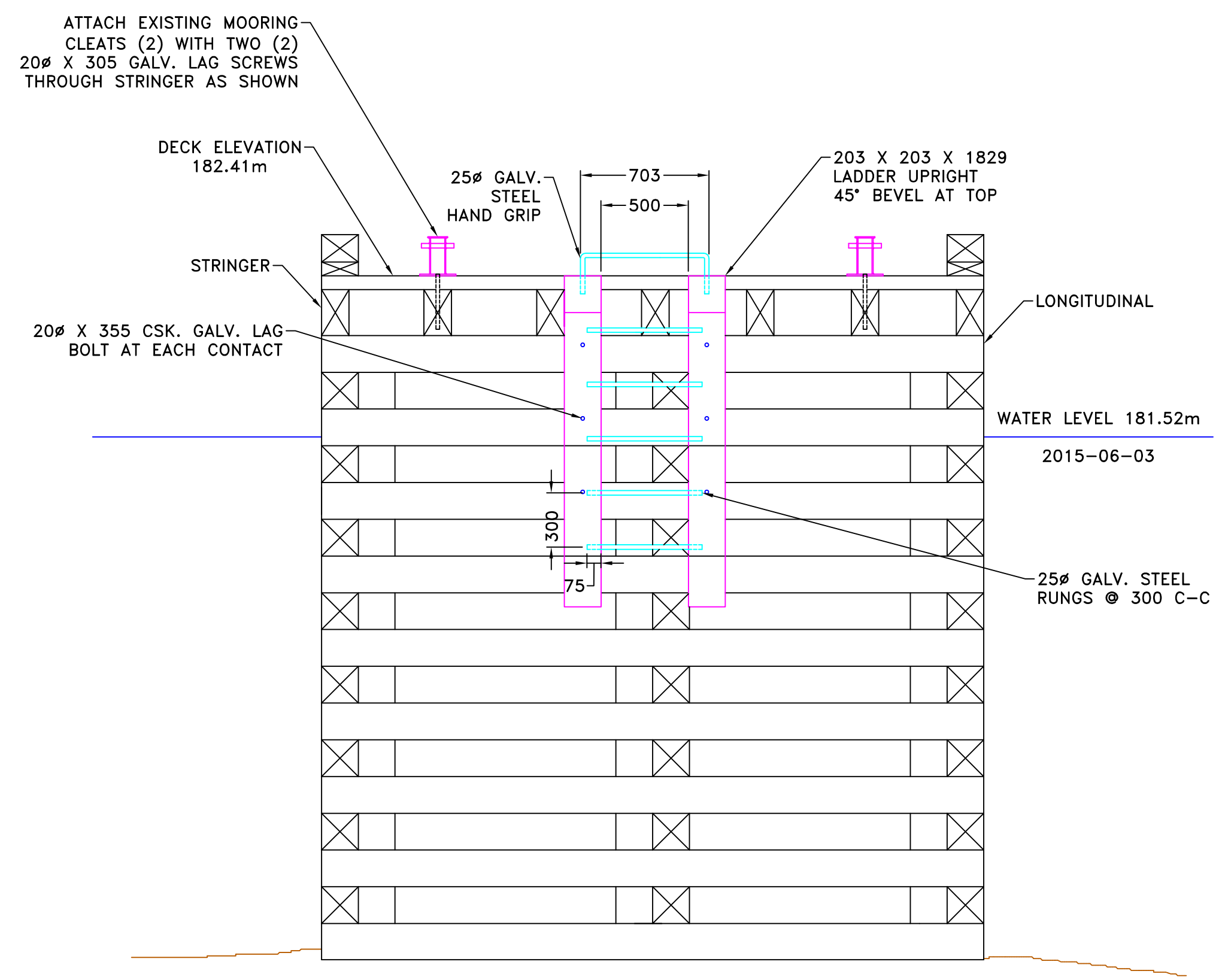


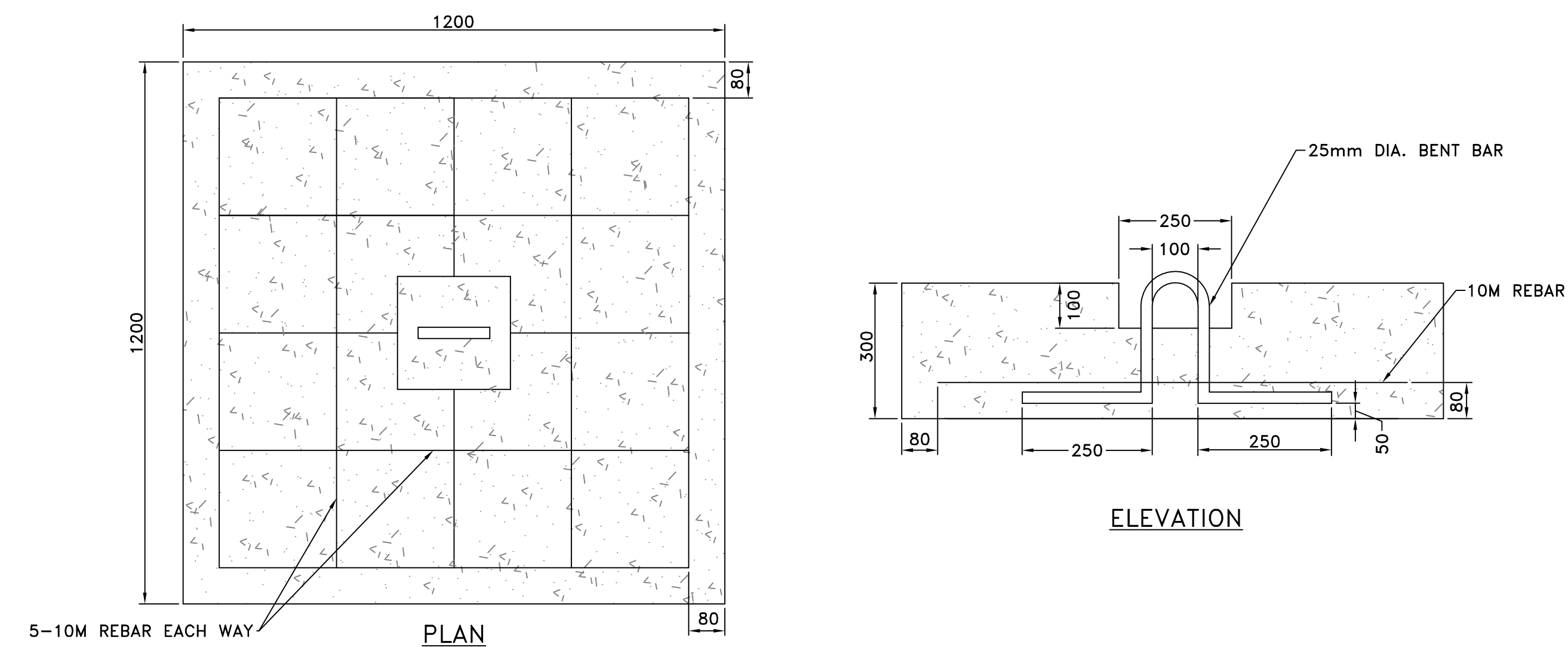
SMALL CRAFT HARBOURS
CENTRAL AND ARCTIC REGION



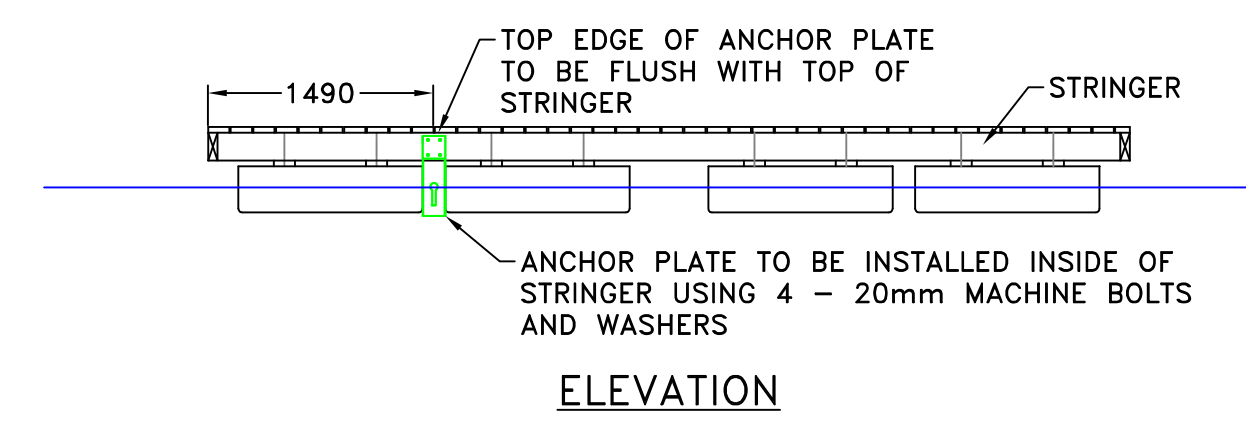
- NOTES:
- DIMENSIONS ARE IN MILLIMETRES UNLESS OTHERWISE STATED
 - ELEVATIONS ARE GIVEN USING THE CANADIAN VERTICAL GEODETIC DATUM OF 1927 (CVGD27)
 - SCH TO SUPPLY TRANSITION PLATE AND HINGE BOLTS REQUIRED FOR FLOAT WHARVES CONTRACTOR TO PICK UP TRANSITION PLATE AND HINGE BOLTS AT 501 UNIVERSITY CRESCENT, WINNIPEG AND INSTALL ON SITE



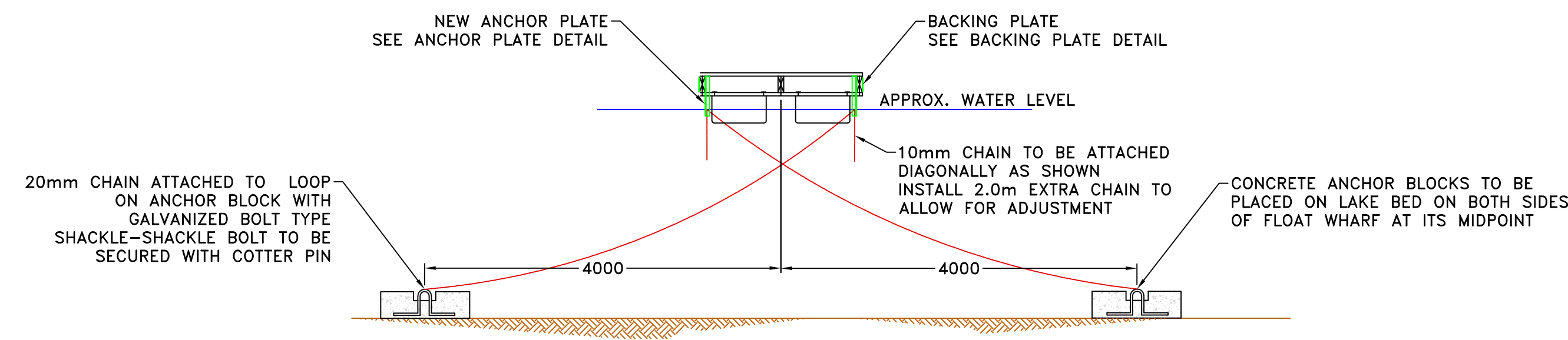
LADDER & BOLLARD DETAIL
SCALE: 1:20



CONCRETE ANCHOR BLOCK DETAIL (2 REQ'D)
SCALE: 1:10



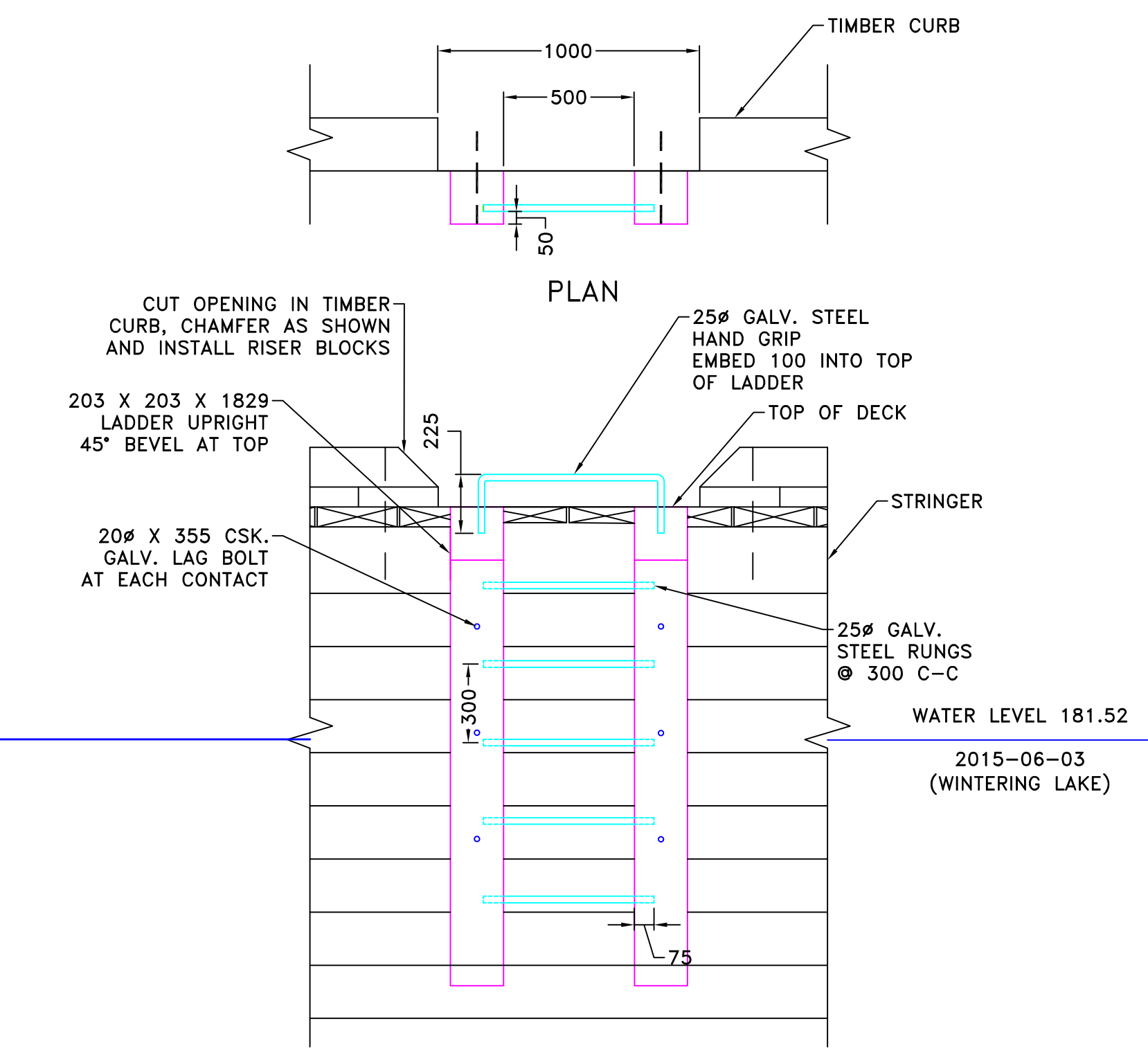
ELEVATION



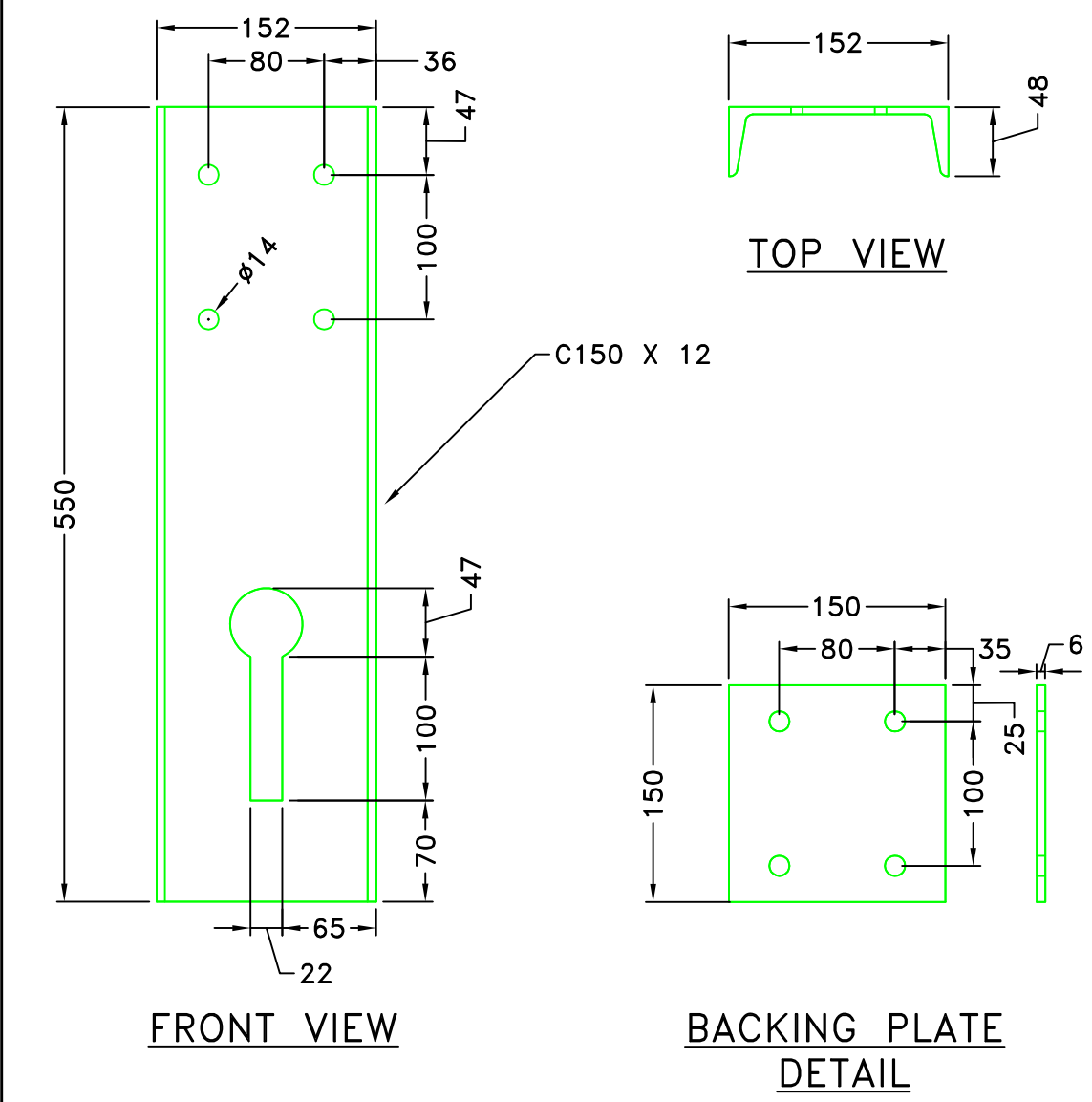
CONCRETE ANCHOR ATTACHMENT DETAIL
SCALE: 1:50

NOTE: LADDER FOR LANDING LAKE TO BE 203 X 203 X 1500

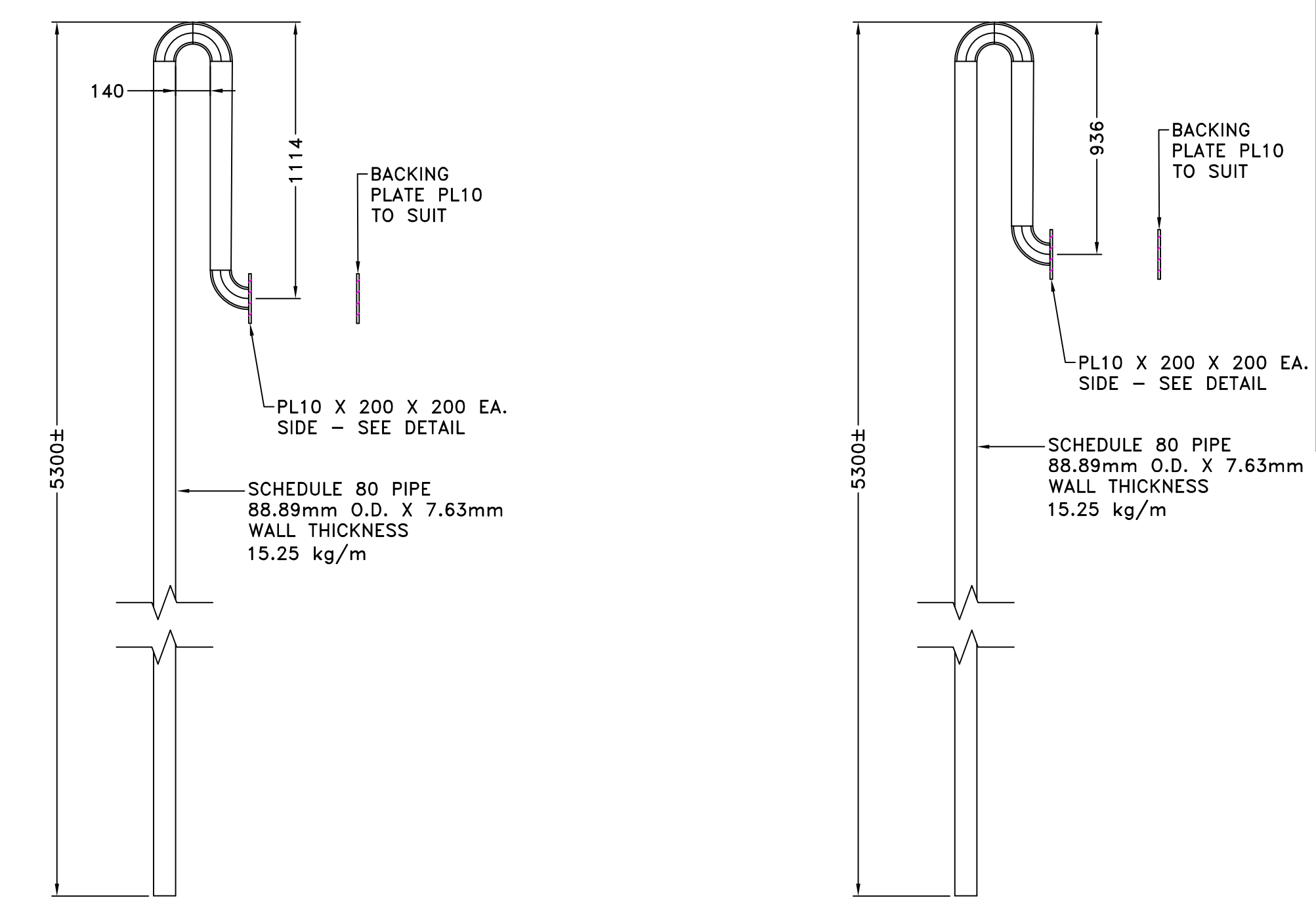
- NOTES:
- STEEL ANCHOR PLATE TO BE FABRICATED FROM C150X12.
 - PL 150 X 150 X 6 BACKING PLATE REQUIRED - DRILLED TO MATCH (SEE BACKING PLATE DETAIL).



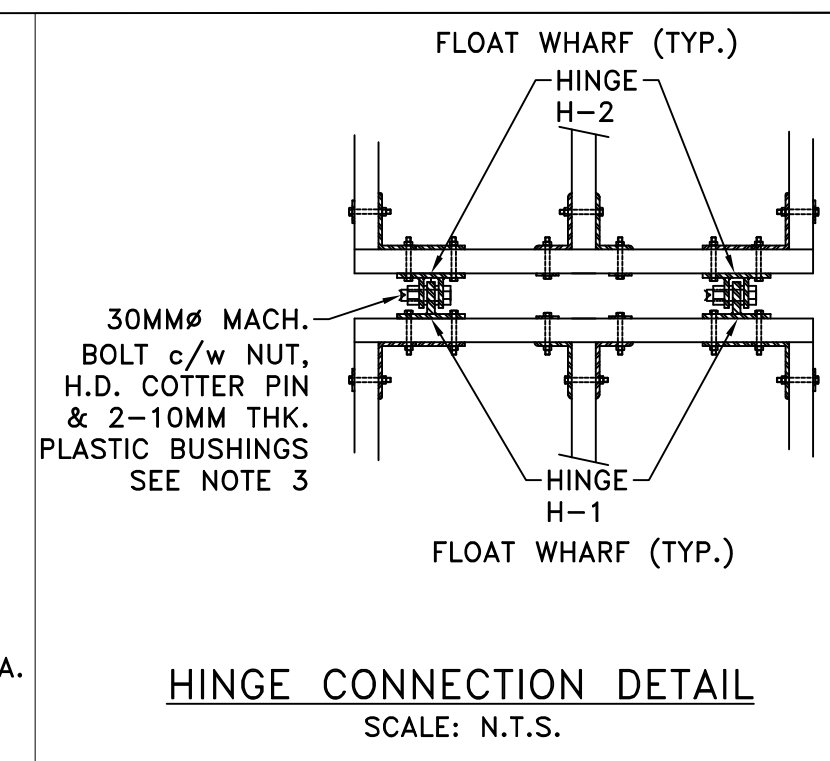
LADDER DETAIL
SCALE: 1:20



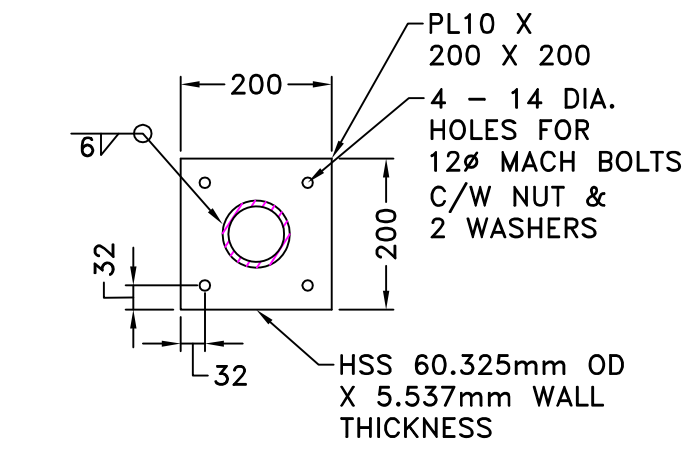
ANCHOR PLATE DETAIL (2 REQ'D)
SCALE 1:5



PIPE SLIDER DETAIL (4 REQ'D)
SCALE 1:20



HINGE CONNECTION DETAIL
SCALE: N.T.S.



PIPE SLIDER PLATE DETAIL
SCALE: 1:10

| REVISIONS: | DATE: |
|---------------------|------------|
| 0 ISSUED FOR TENDER | APRIL 2016 |

SCALE: AS SHOWN CLASS:

PROJECT: HARBOUR IMPROVEMENTS

DESCRIPTION: CONSTRUCTION DETAILS

DRAWN: D.S. APPROVED: A.B.

DATE: APRIL 2016 DATE: APRIL 2016

LOCATION: THICKET PORTAGE (WINTERING LAKE & LANDING LAKE) MANITOBA

DRAWING NO.: C-3 OF 4 LOCATOR CODE: 5546