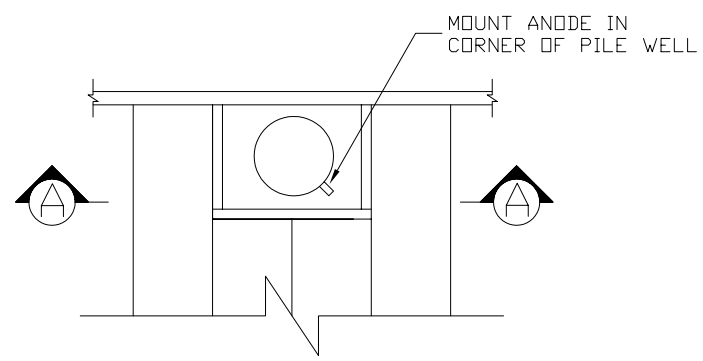
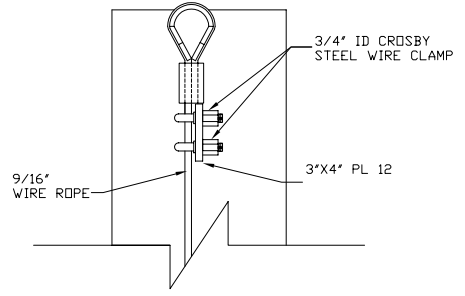
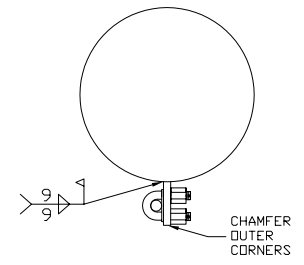


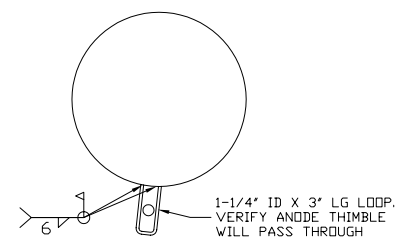
ELEVATION VIEW



PLAN VIEW




DETAIL 1



DETAIL 2



 Fisheries and Oceans Pêches et Océans Small Craft Harbours Branch	Tel: (604) 666-2226 Fax: (604) 666-7056 MORGAN.MEENTS@DFO-MPO.GC.CA	
	Title: <b>ANODE INSTALLATION INSTRUCTIONS</b>	
Scale: Not to Scale	Checked By:	Drawn By: MM
Drawn: MAY 23, 2008	Drawing No.: -	