



NOTES

1. ALL ELEVATIONS ARE IN METRES UNLESS OTHERWISE NOTED.
2. ALL DIMENSIONS ARE IN MILLIMETRES UNLESS OTHERWISE NOTED.

PROVINCE OF NEWFOUNDLAND AND LABRADOR  
**PEG PERMIT HOLDER**  
 To practice Professional Engineering in Newfoundland and Labrador. Permit No. as issued by PEG 02818 which is valid for the year 2016.



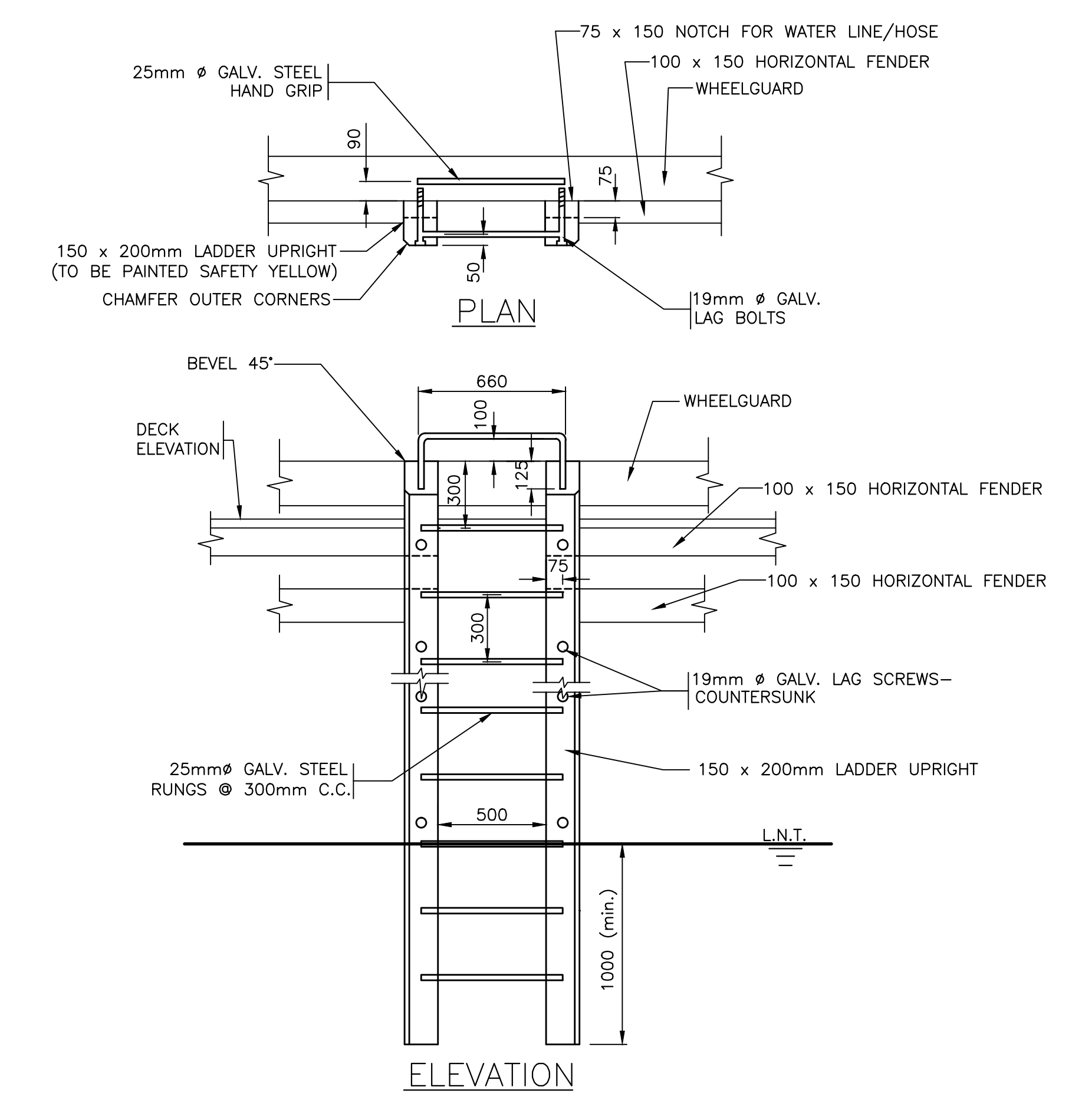
A - DETAIL NUMBER  
 B - LOCATION SHEET  
 C - DETAIL SHEET

0	ISSUED FOR TENDER	16/05/13
revisions		date
project		project

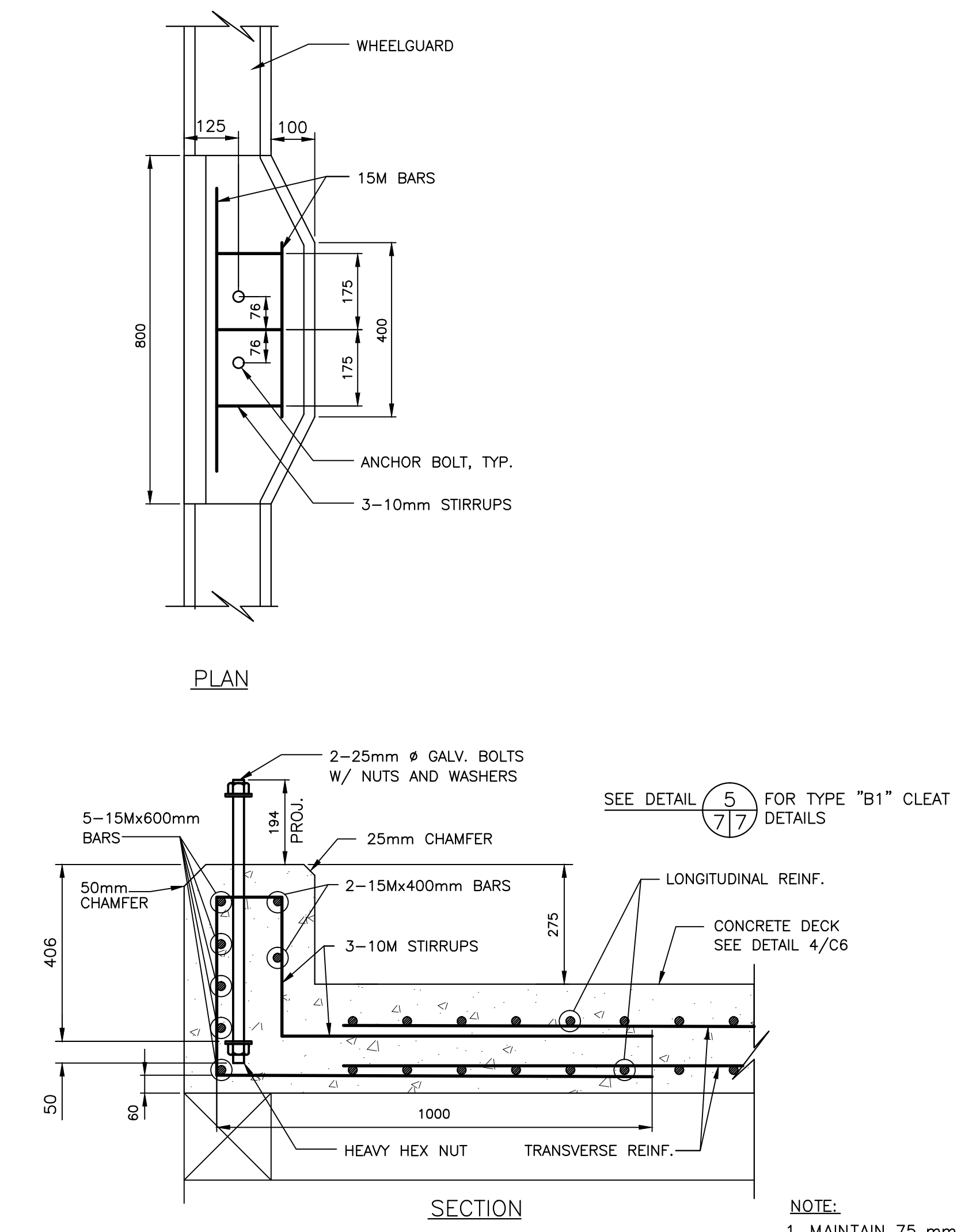
MARGINAL WHARF RECONSTRUCTION  
 SUMMERFORD, NL

DETAILS

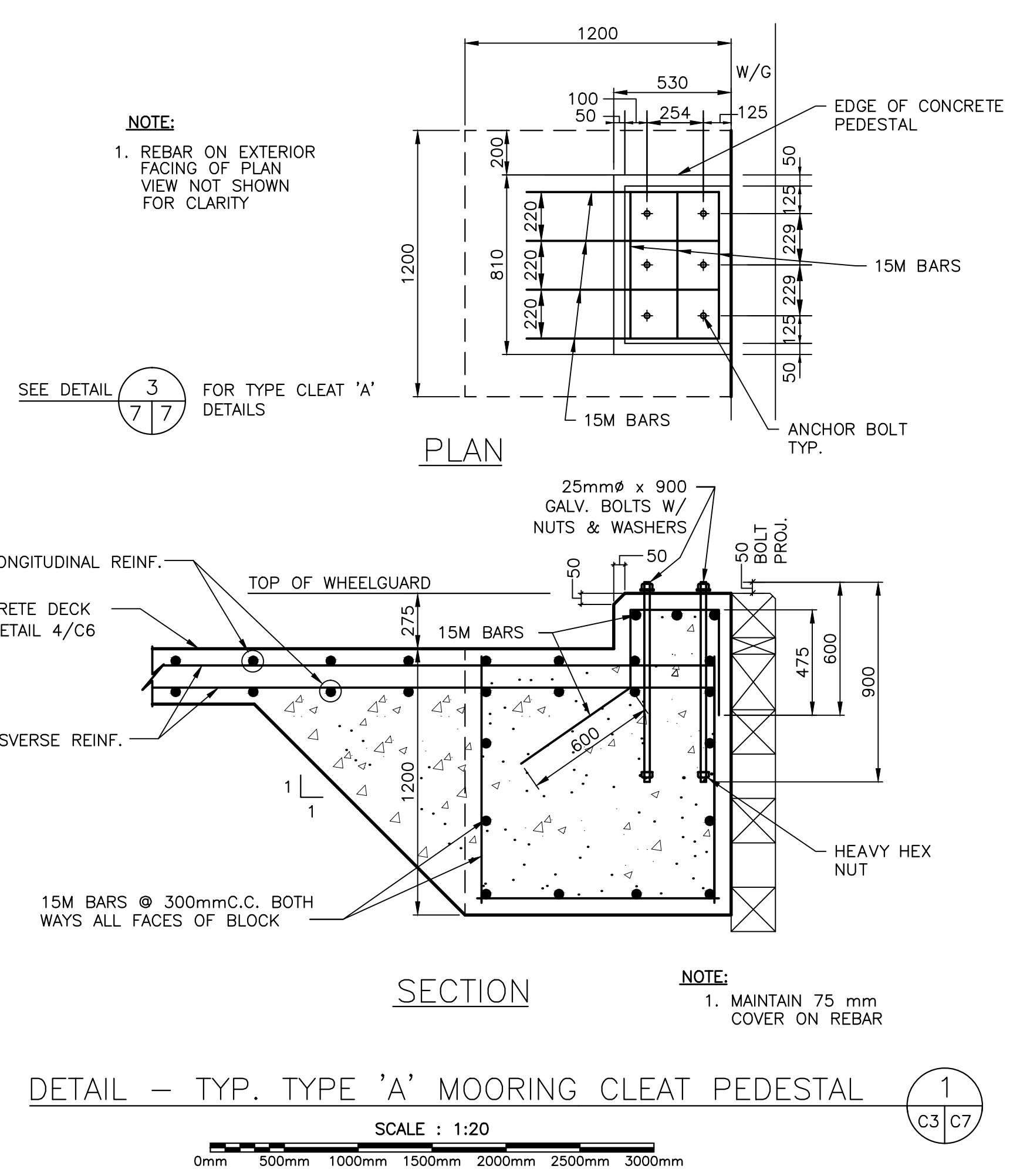
designed	C. SARGENT	conçu
date	OCTOBER, 2015	dessiné
drawn	P. CURTIS	date
date	OCTOBER, 2015	approved
approved		approved
Tender		Submission
DFD Project Manager		no. du projet
project number	714358	no. du dessin
drawing no.	C7 OF 7	



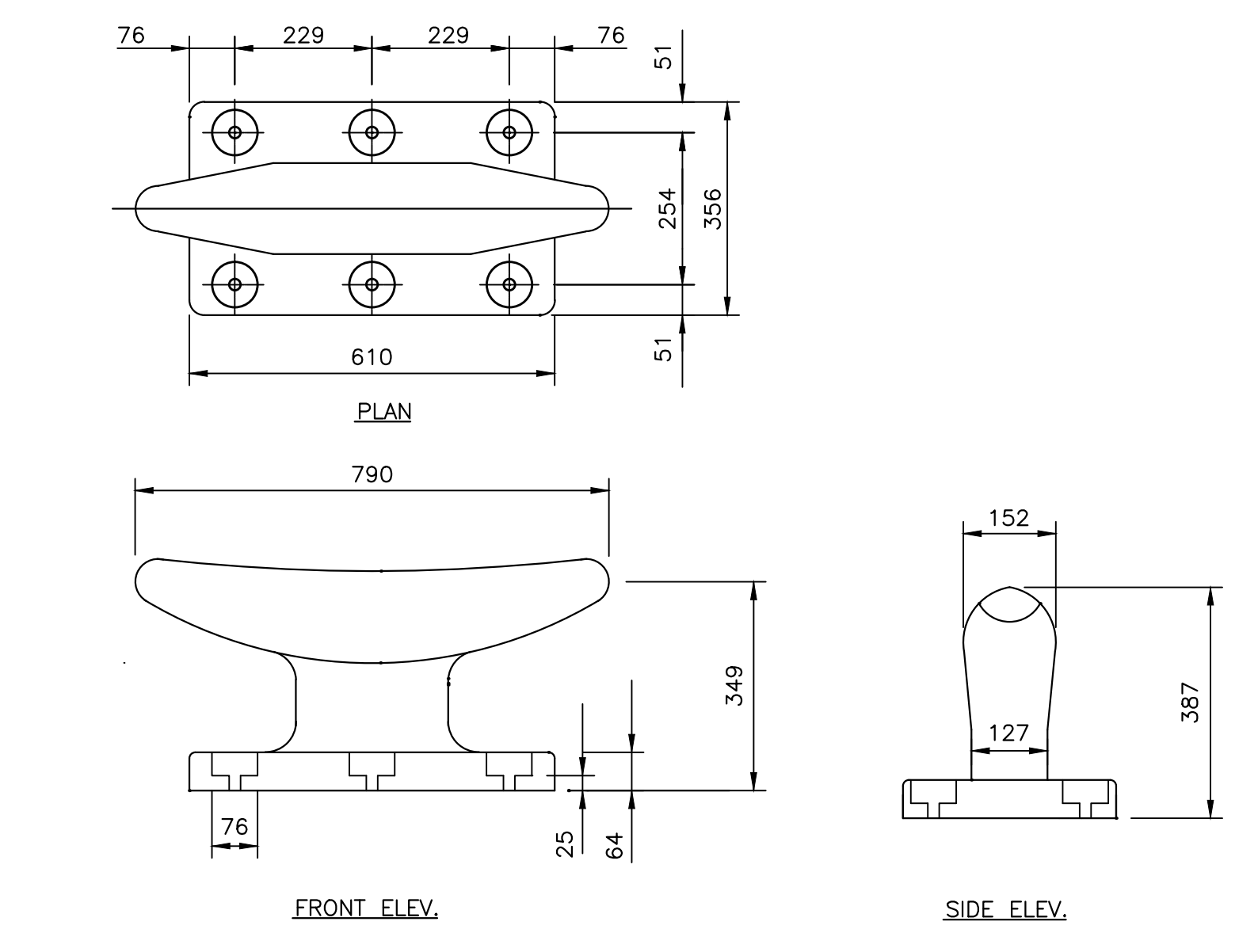
DETAIL - TYP. LADDER  
 SCALE : 1:20  
 0mm 500mm 1000mm 1500mm 2000mm 2500mm 3000mm



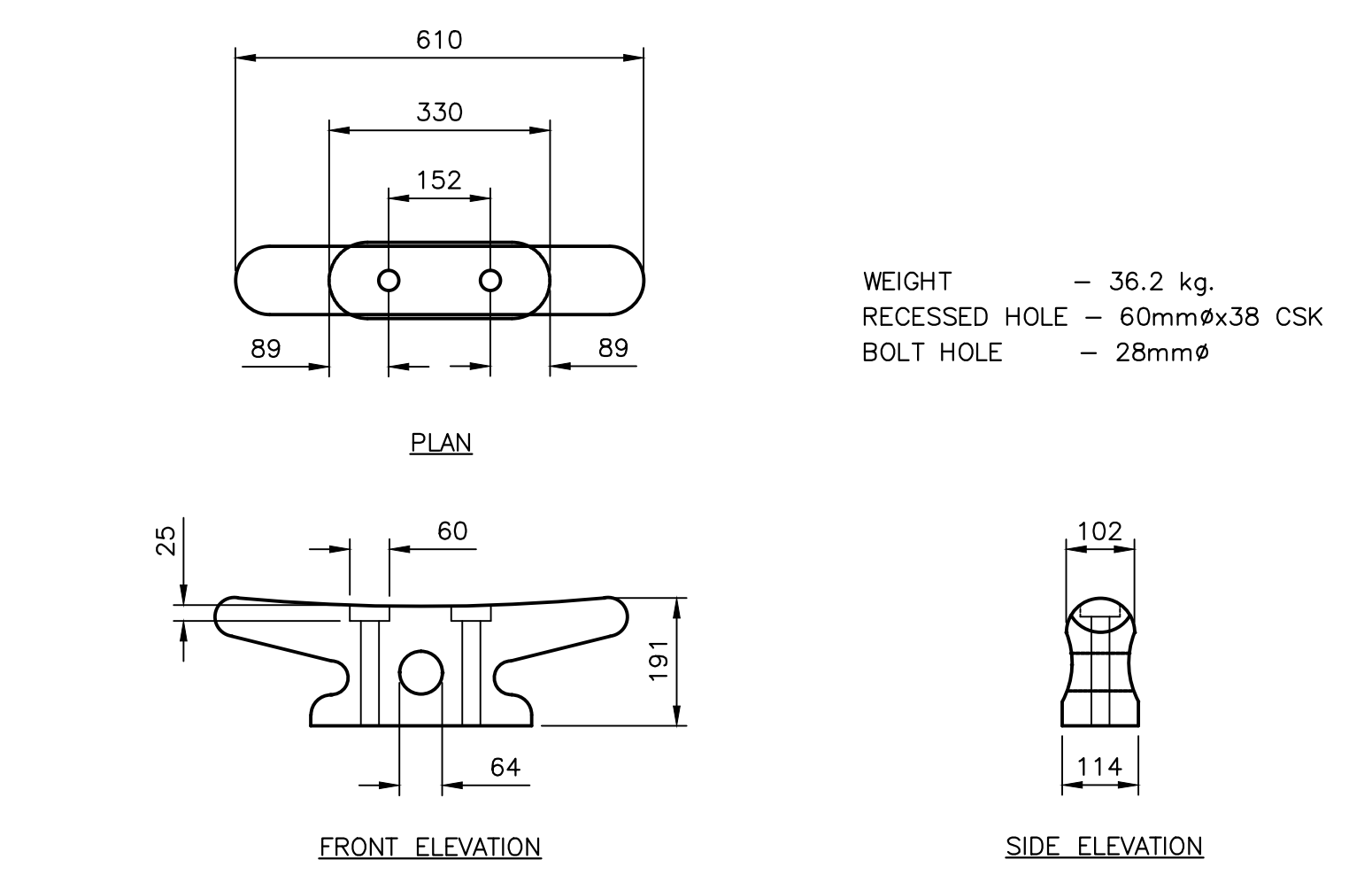
DETAIL - TYP. TYPE 'B1' CLEAT BLOCK IN CRIBWORK  
 SCALE : 1:20  
 0mm 500mm 1000mm 1500mm 2000mm 2500mm 3000mm



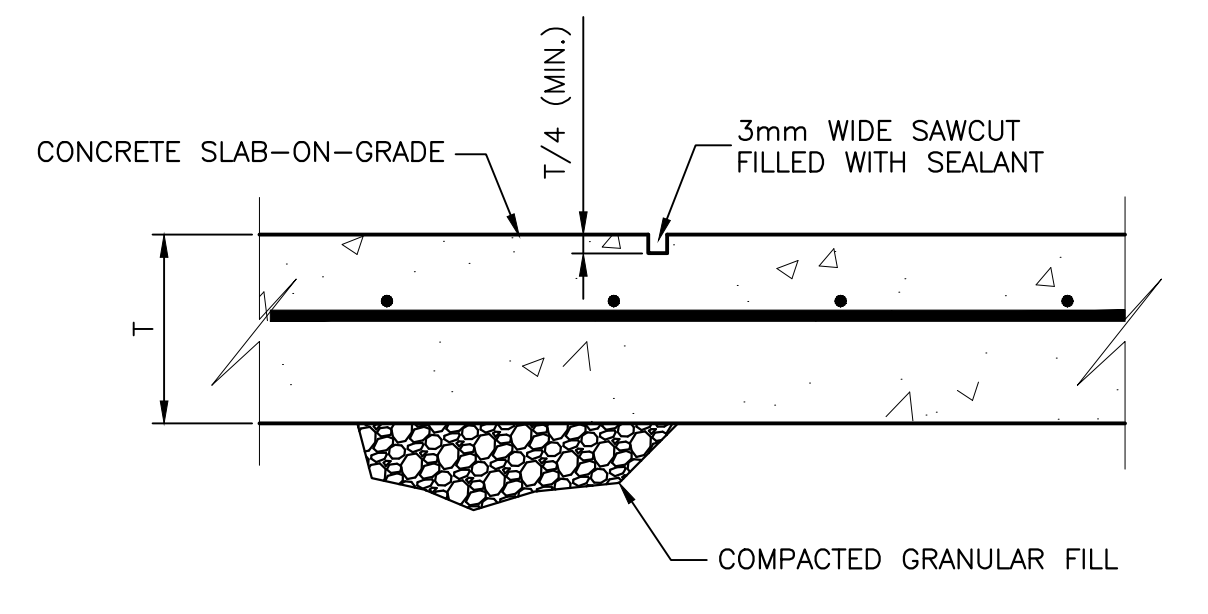
DETAIL - TYP. TYPE 'A' MOORING CLEAT PEDESTAL  
 SCALE : 1:20  
 0mm 500mm 1000mm 1500mm 2000mm 2500mm 3000mm



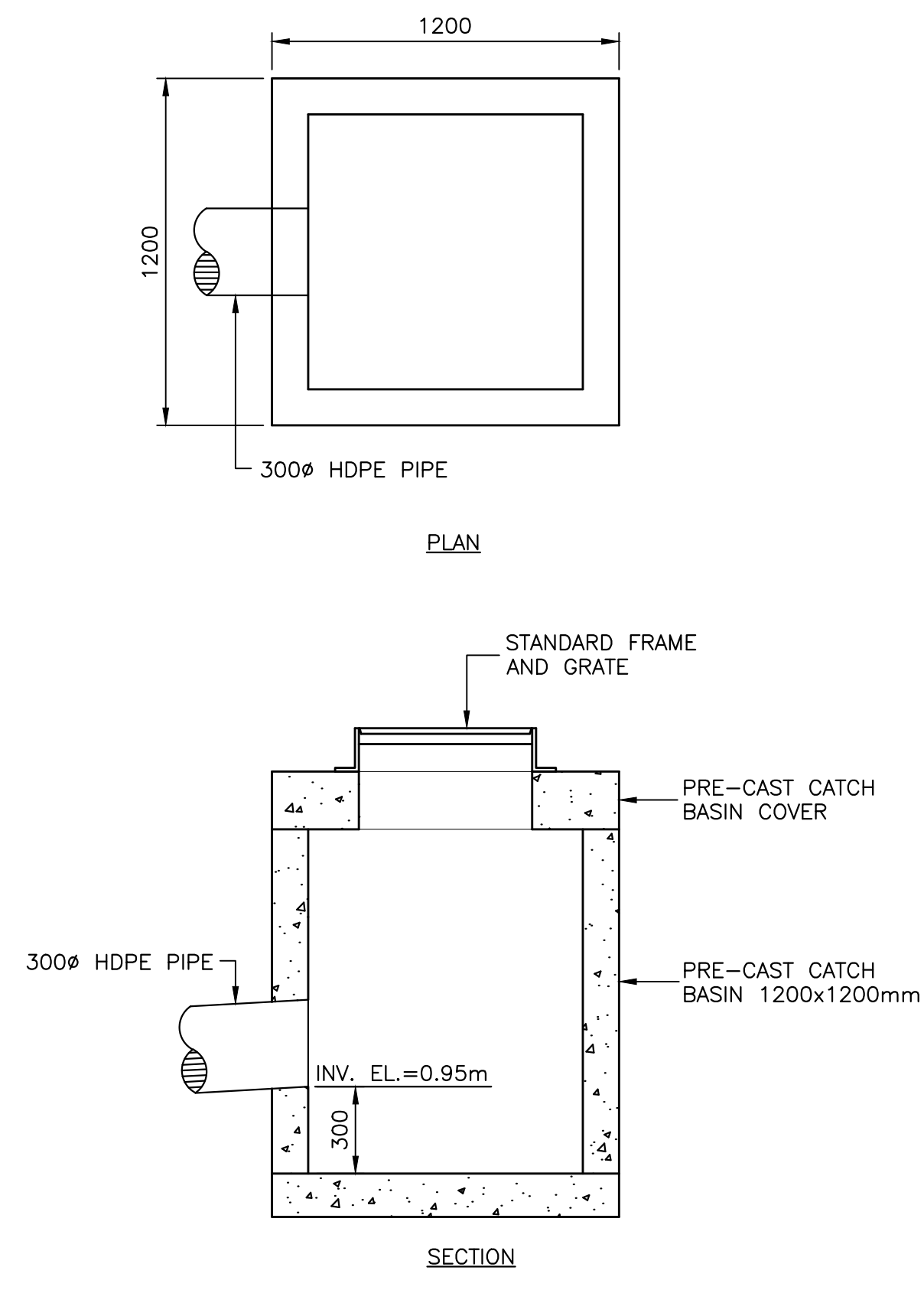
DETAIL - TYP. TYPE 'A' CLEAT  
 SCALE : 1:10  
 0mm 500mm 1000mm 1500mm 2000mm 2500mm 3000mm



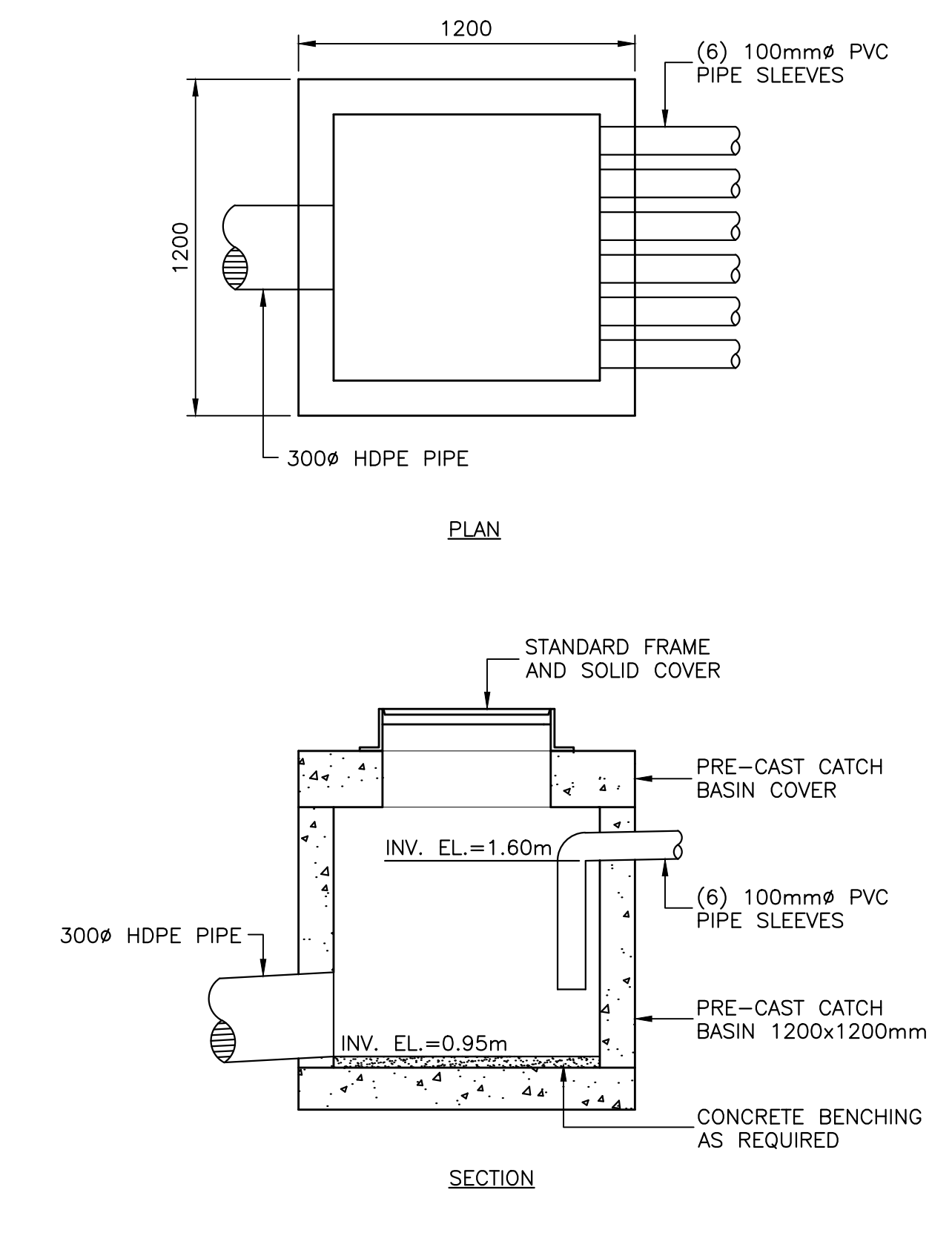
DETAIL - TYP. TYPE 'B1' CLEAT  
 SCALE : 1:10  
 0mm 500mm 1000mm 1500mm 2000mm 2500mm 3000mm



DETAIL - TYP. CONTROL JOINT  
 SCALE : 1:10  
 0mm 500mm 1000mm 1500mm 2000mm 2500mm 3000mm



DETAIL - PRE-CAST CATCH BASIN  
 SCALE : 1:20  
 0mm 500mm 1000mm 1500mm 2000mm 2500mm 3000mm



DETAIL - PRE-CAST MANHOLE CHAMBER  
 SCALE : 1:20  
 0mm 500mm 1000mm 1500mm 2000mm 2500mm 3000mm