

June 28, 2016

ADDENDUM TO REQUEST FOR PROPOSAL DOCUMENT (RFP)
FOR
Moosomin Dam
Service Contract No. 5
Dam Safety Review
REQUEST FOR PROPOSAL # 4547:928-7P11-0-S1-5

Addendum No. 5

Q&A:

Q1 - There are a number of drawings that are listed in the RFP that will likely give us the information that we need. These are 103393A – Plan of Spillway Under slab Drainage System, 103394 Plan of Spillway Under slab Voids, and C116088, C116089, and C116090 which are drawings from the spillway under slab drainage system rehab that went on in 1990. Could we get copies of this drawings or additional information so we can adequately price the inspection?

A1 – Drawings attached.

Colby Collinge
A/Materiel Manager, AAFC
Regina, Saskatchewan

28 juin 2016

ADDENDA À LA DEMANDE DE PROPOSITIONS (DP)
POUR
le barrage Moosomin
Contrat de service n° 5
Examen de la sécurité du barrage
DEMANDE DE PROPOSITIONS N^O 4547:928-7P11-0-S1-5

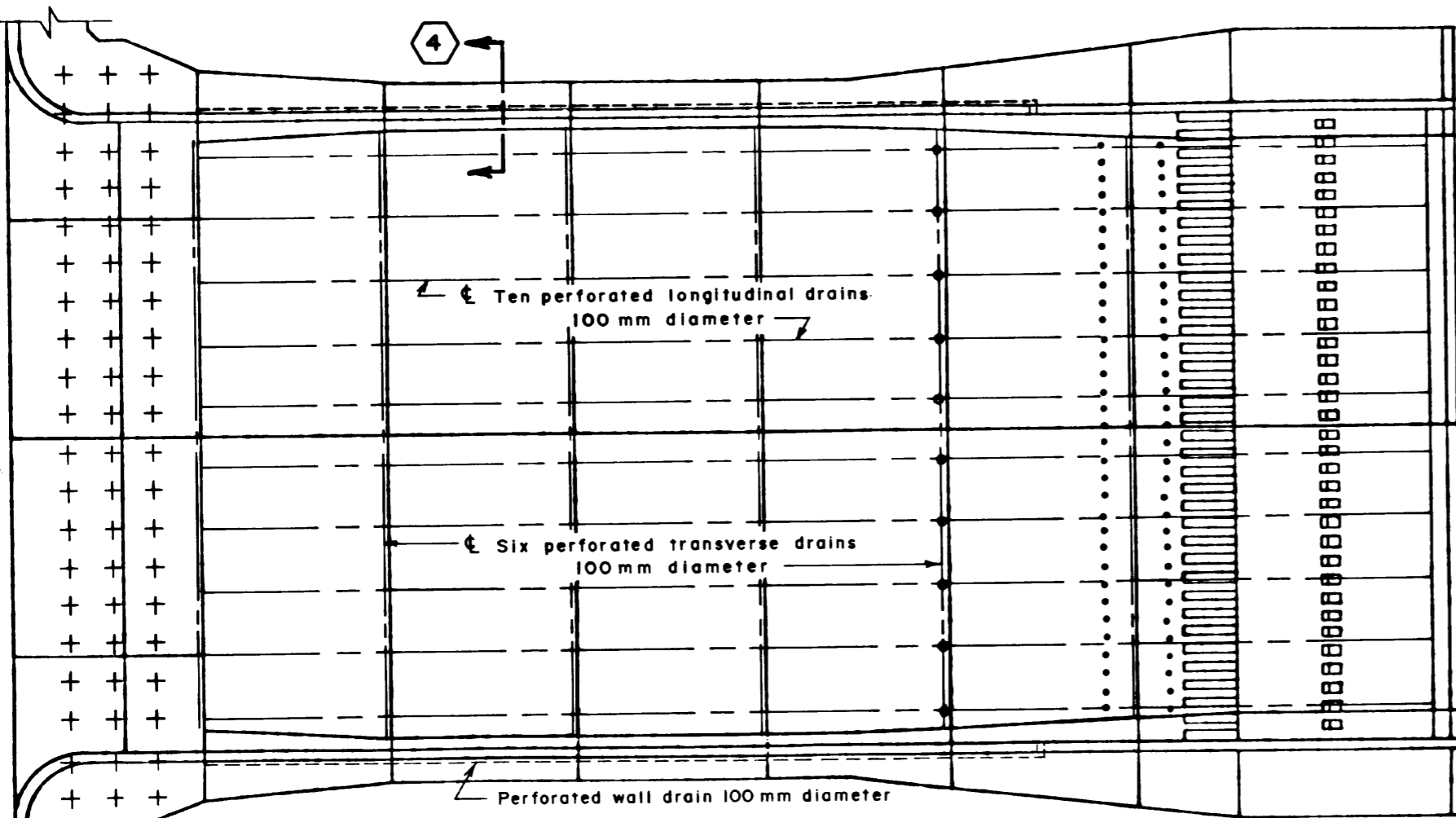
Addenda n° 5

Q & R :

Q1 – Il y a un certain nombre de schémas qui sont inclus dans la DP qui nous donneraient probablement les informations dont nous avons besoin. Ceux-ci sont 103393A –Schéma du système de drainage sous la dalle du Déversoir, 103394 – Schéma des vides sous la dalle du Déversoir, et C116088, C116089, et C116090 qui sont des schéma de la réadaptation en 1990 du système de drainage sous la dalle du Déversoir. Pourrions-nous obtenir les copies de ces schémas ou des informations supplémentaires pour établir un prix d'inspection de manière adéquate?

R1 – Voir les schémas ci-inclus.

Colby Collinge
Gestionnaire intérimaire du
matériel, AAC
Regina (Saskatchewan)

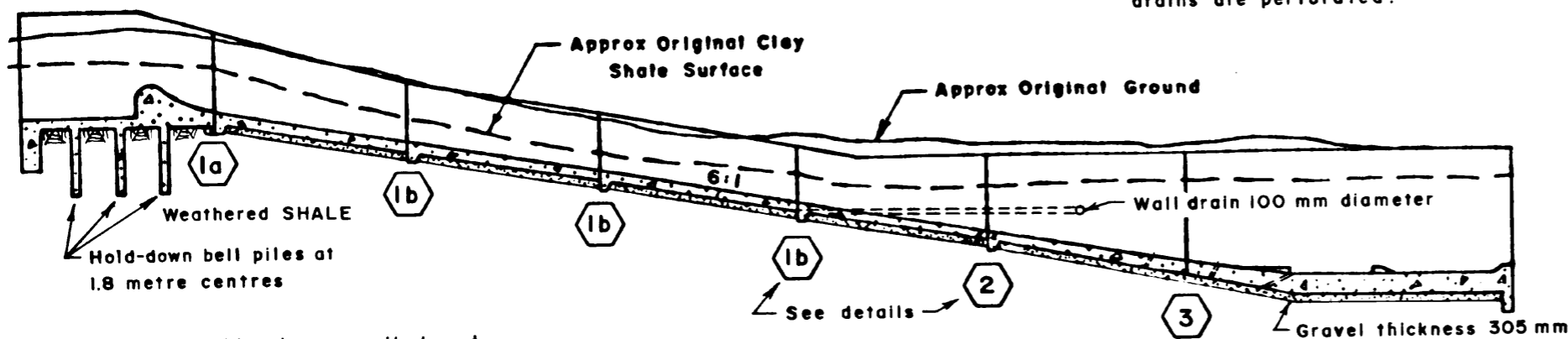


0 3 6 9
SCALE - metres

PLAN VIEW

— LEGEND —

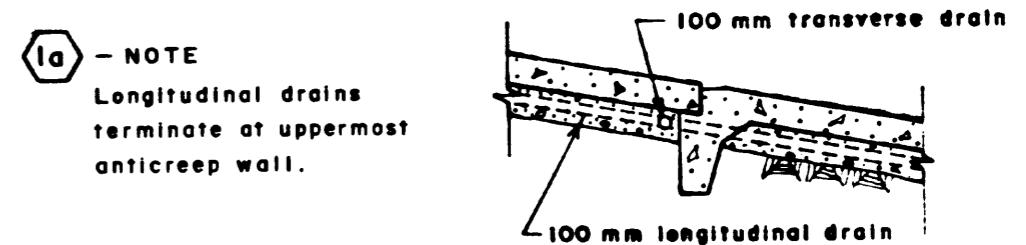
- + Hold-down bell piles
 - 75 mm thru-slab drains
 - 50 mm thru-slab drains (plugged)
- All drains other than the thru-slab drains are perforated.



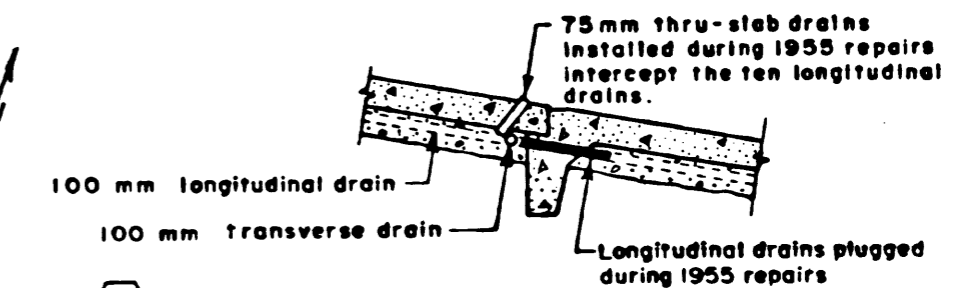
CROSS-SECTION

Information on this plan compiled and corrected using: plan 37164, PR1140, PR1337 (Design and as-constructed) and 1955 report by C.D. Smith, Design Div.

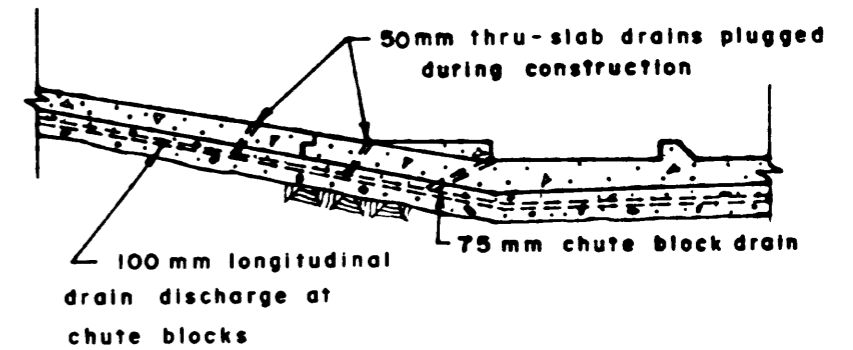
M ALL DIMENSIONS, STATIONING AND ELEVATIONS ARE IN METRES UNLESS OTHERWISE SHOWN



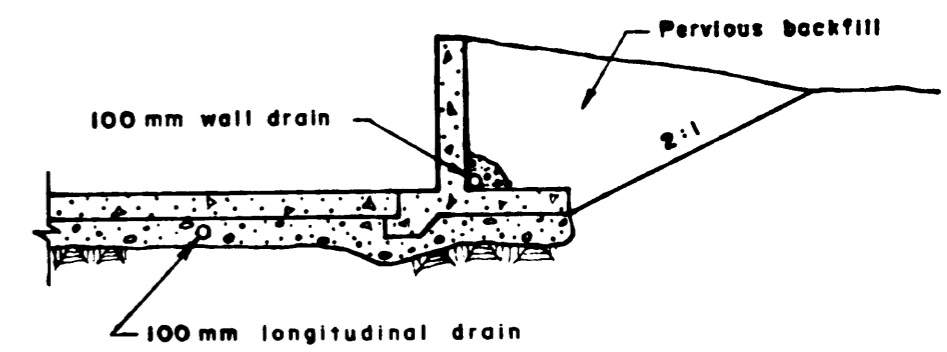
DETAILS NOT TO SCALE



2



3



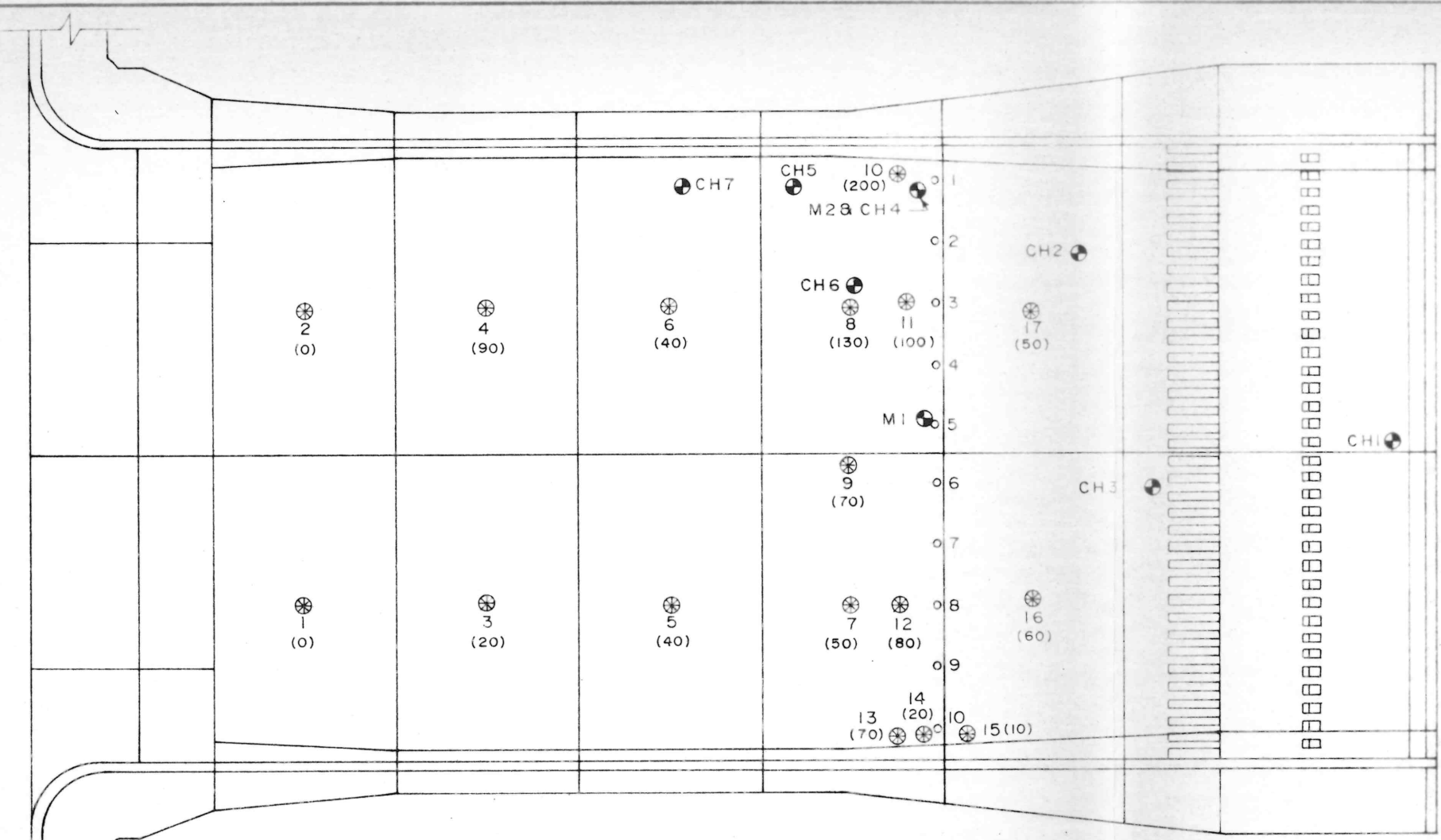
4

"A" Revision - 9 June 89 - 892

Designed VK	Submitted <i>[Signature]</i>
Drawn CQZ	Date 8 June 89
Checked AF	Approved <i>[Signature]</i> Director, Engineering Service Date 8 June 89

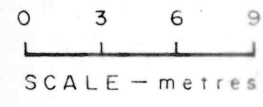
Canada
Agriculture
Prairie Farm Administration
Rehabilitation Administration
Administration du Rétablissement agricole
des Prairies
Engineering Service

MOOSOMIN DAM		
PLAN OF SPILLWAY UNDERSLAB DRAINAGE SYSTEM		
Scale AS SHOWN	Date JUNE 1989	PFRA No. 103393A



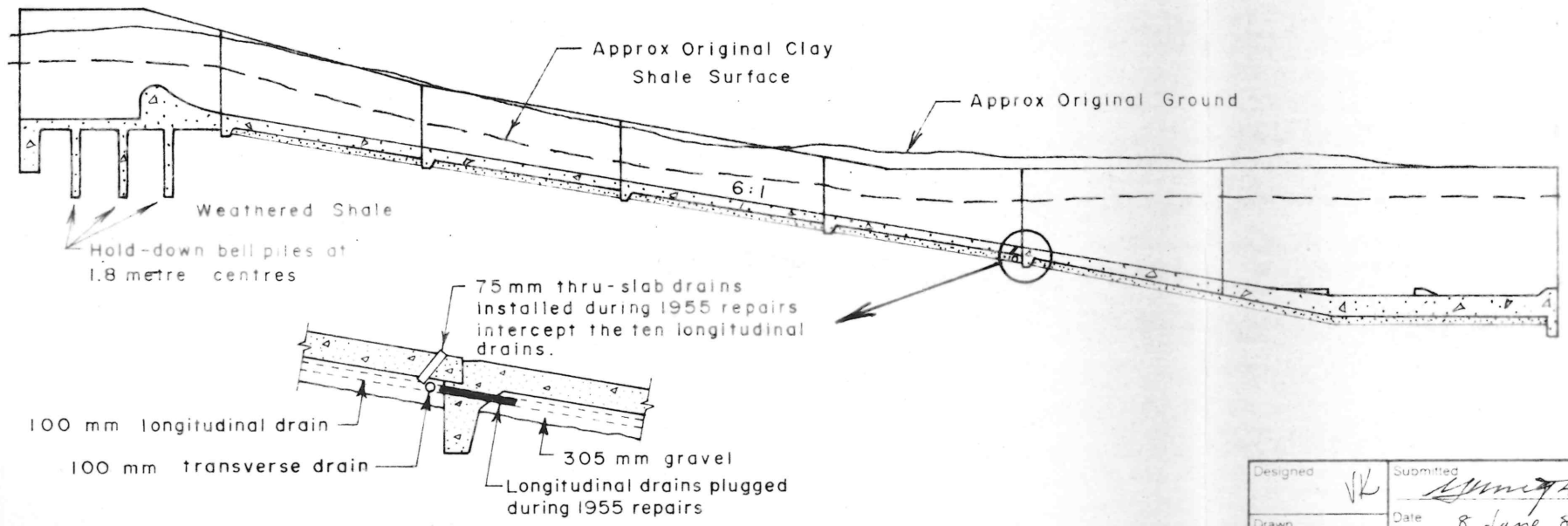
CORE NO.	CONCRETE THICKNESS mm	DEPTH OF VOID - mm	DENSITY OF CONCRETE kg/m ³	EQUIVALENT 150mm x 300mm STR. - MPa
30 Sept. 1980				
M1	305	75	-	-
M2	305	75	2380	51.4
26-28 Oct. 1983				
CH1	430	0	2375	48.5
CH2	520	0	2250	32.8
CH3	595	0	2375	36.9
CH4	265	40	-	-
CH5	330	75	-	-
CH6	205	40	2165	45.1
CH7	295	40	2380	54.9

UNDERSLAB VOIDS 12 AUG. 1987
Depth of Voids Shown in (Brackets)



- LEGEND**
- - 1980 Core Holes (100 and 150mm dia.)
 - - 1983 Core Holes (50mm dia.)
 - ⊗ - 1987 Drill Holes (32 mm dia.)
 - - Thru-slab Drain

DRILL HOLE NO.	CONCRETE THICKNESS mm	DEPTH OF VOID - mm
12 Aug. 1987		
1	450	0
2	460	0
3	230	20
4	230	90
5	300	40
6	300	40
7	300	50
8	250	130
9	380	70
10	230	200
11	240	100
12	300	80
13	300	70
14	280	20
15	280	10
16	380	60
17	390	50



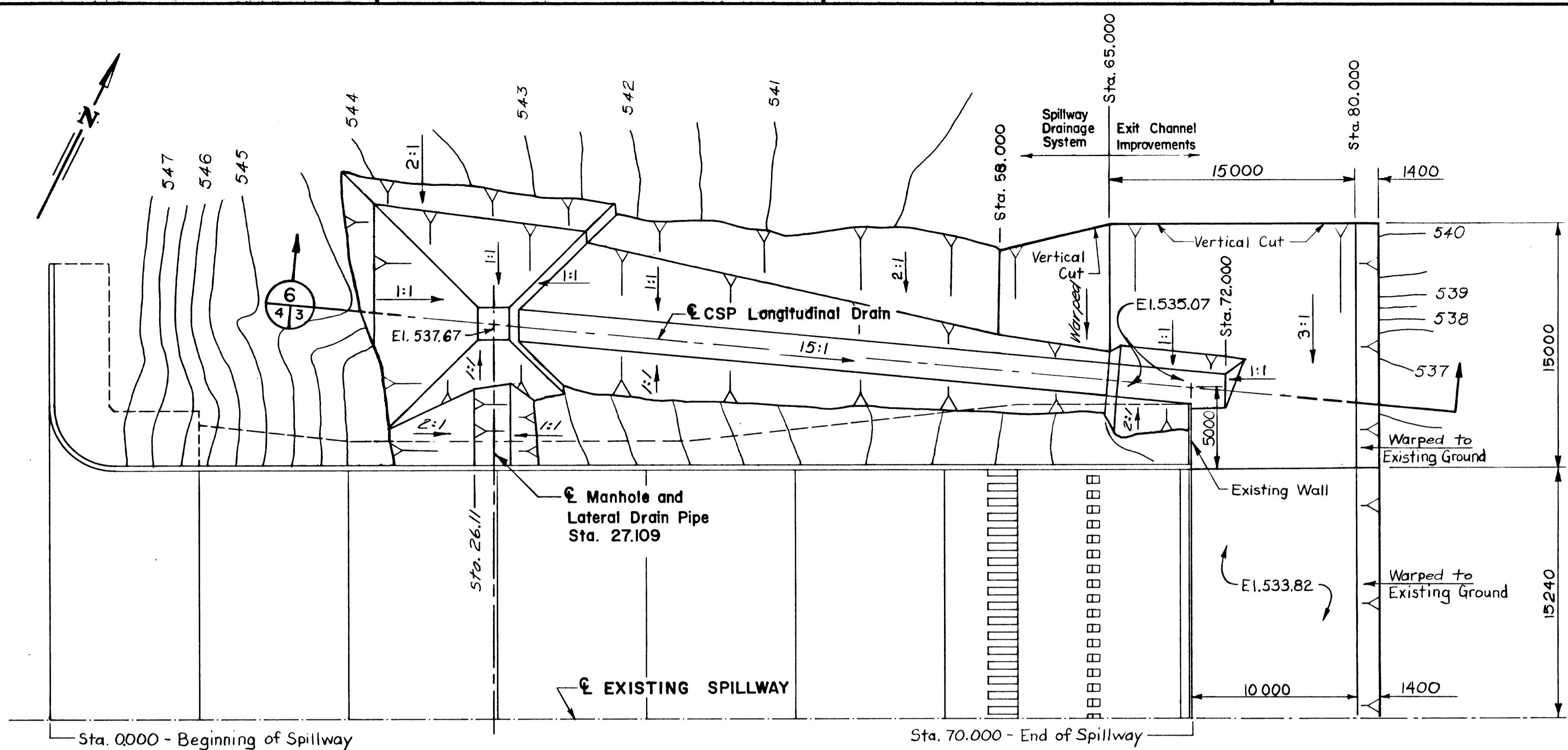
SPILLWAY DRAINAGE SYSTEM MODIFICATIONS
Not To Scale

Designed VK	Submitted <i>[Signature]</i>
Drawn RJM	Date 8 June 89
Checked F	Approved <i>[Signature]</i>
	Date 8 June 89

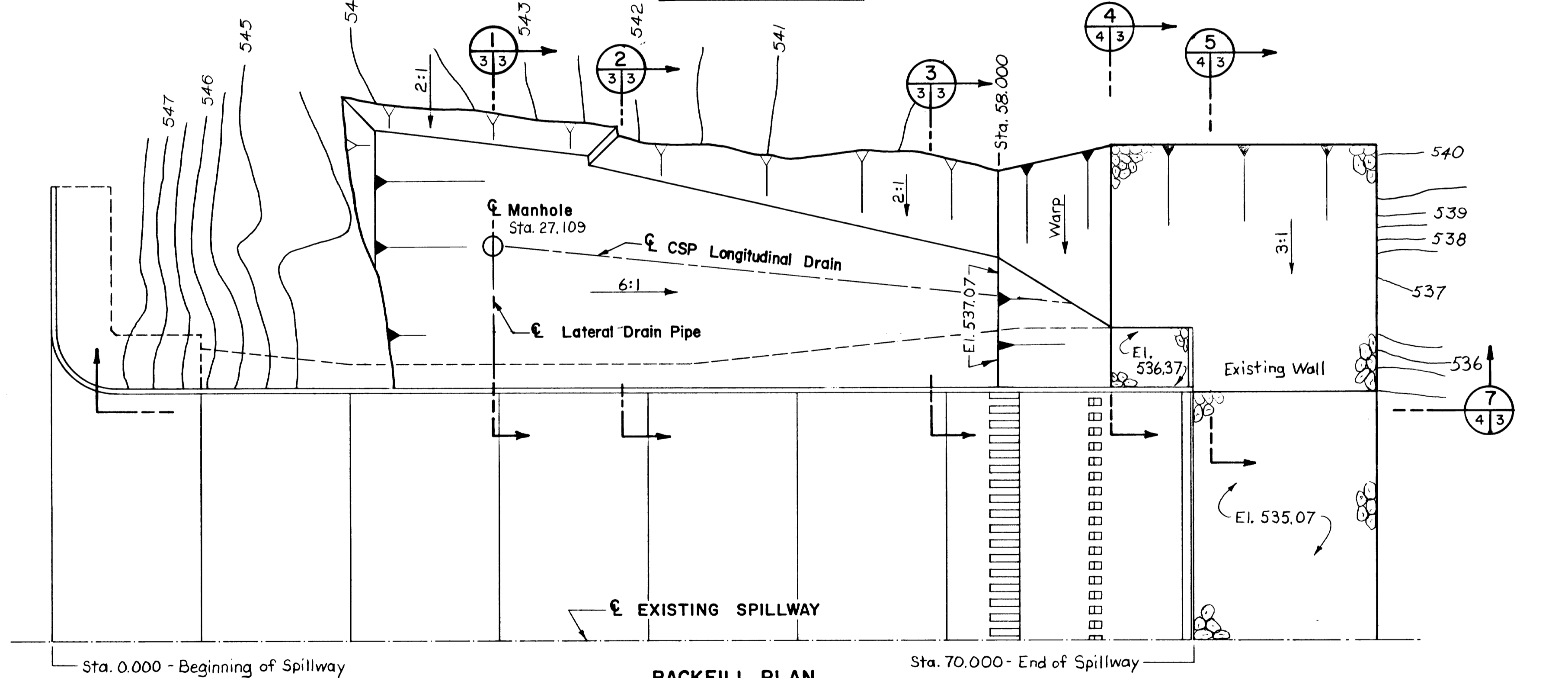
Canada Agriculture
Prairie Farm Administration du
Rehabilitation R tablissement agricole
Administration des Prairies
Engineering Service

MOOSOMIN DAM
PLAN OF SPILLWAY
SHOWING UNDERSLAB VOIDS
AUGUST 1987

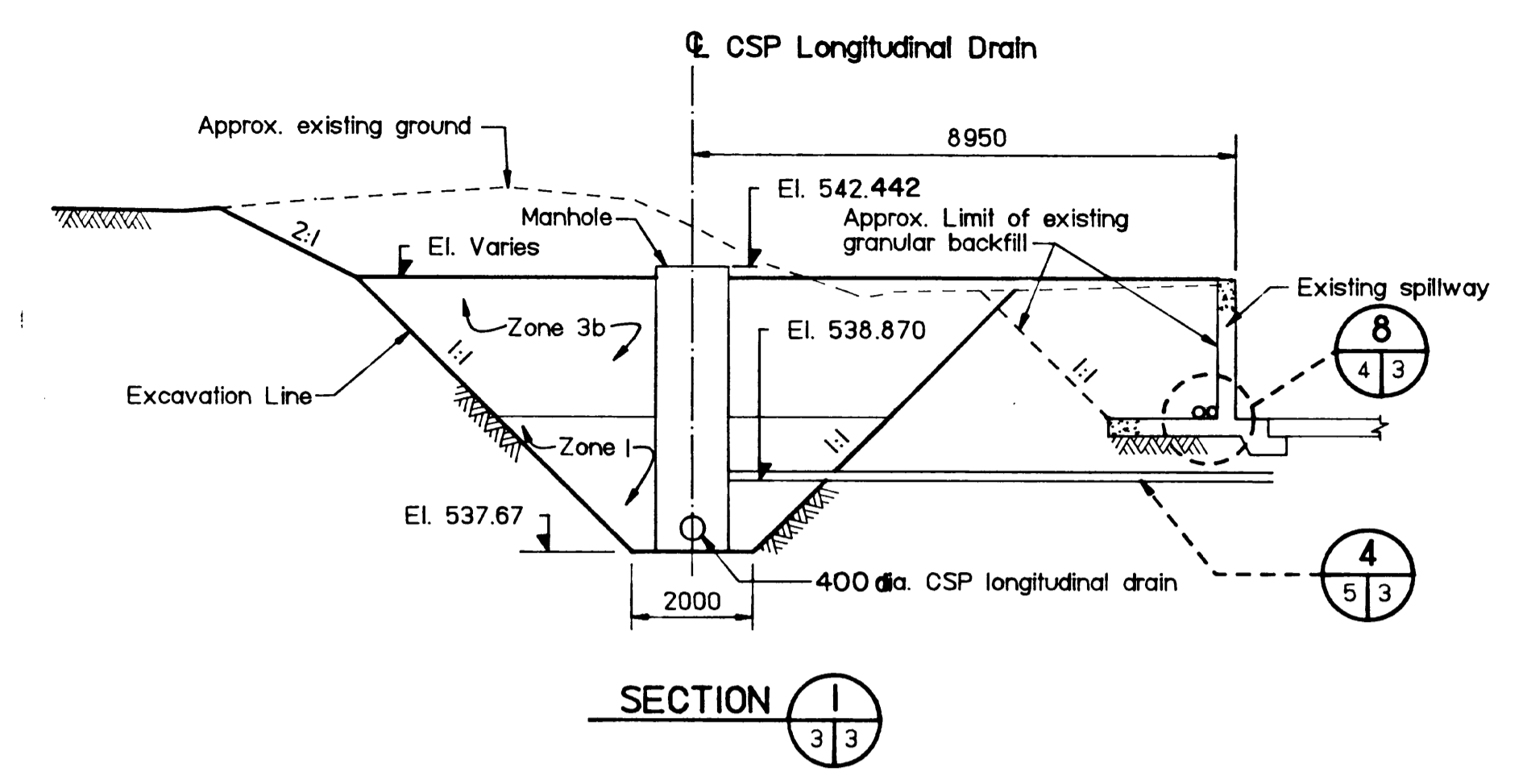
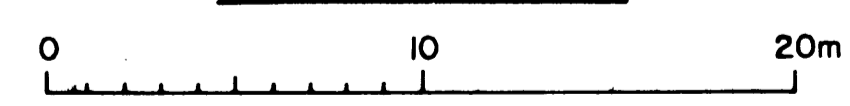
Scale AS SHOWN	Date JUNE 1989	PFRA No. 103394
-------------------	-------------------	--------------------



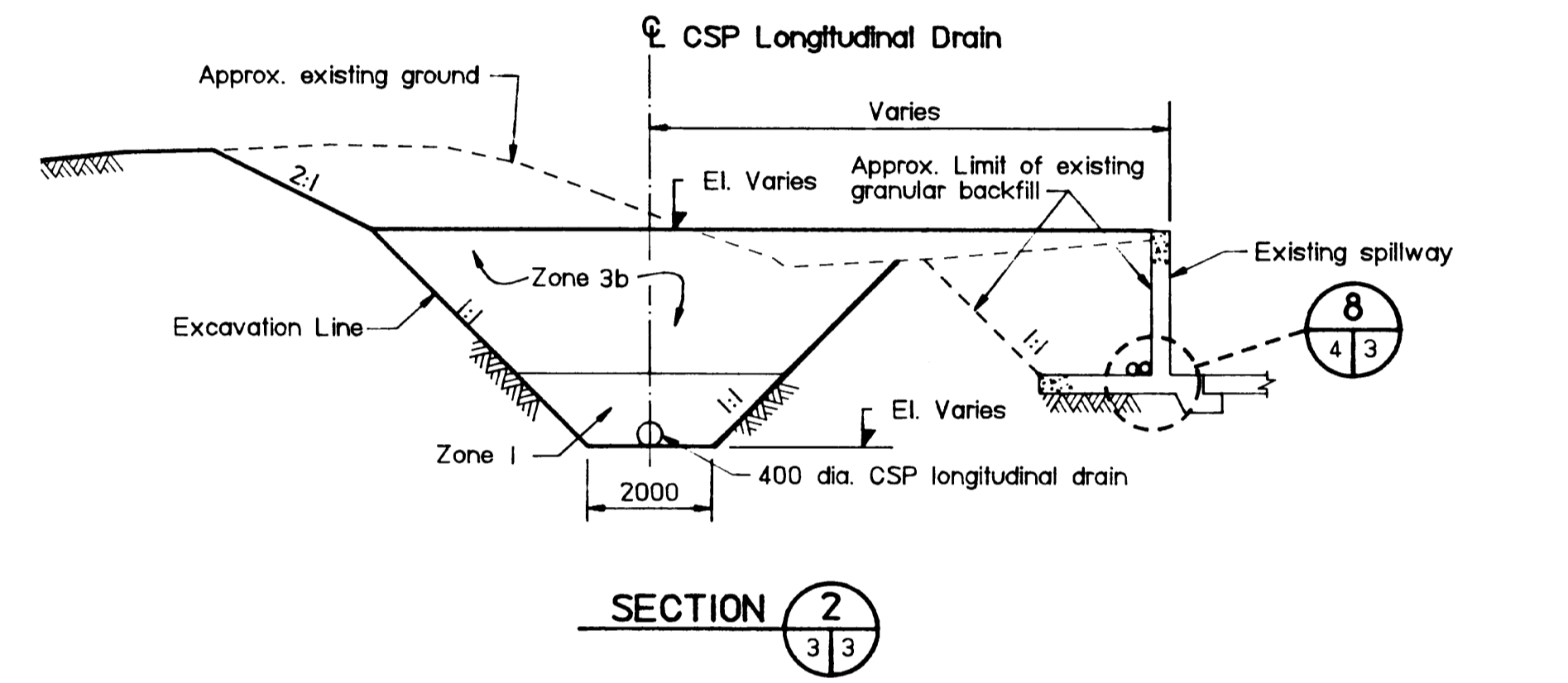
EXCAVATION PLAN



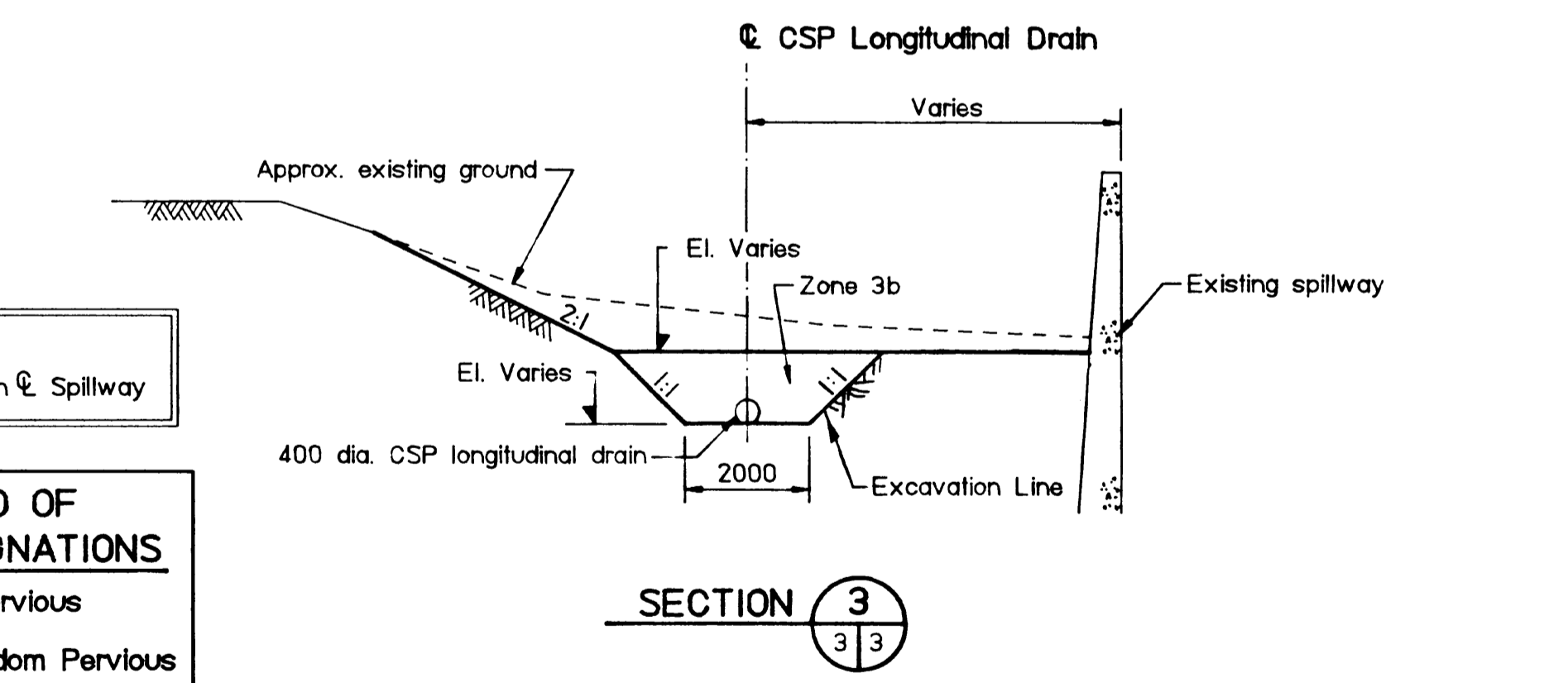
BACKFILL PLAN



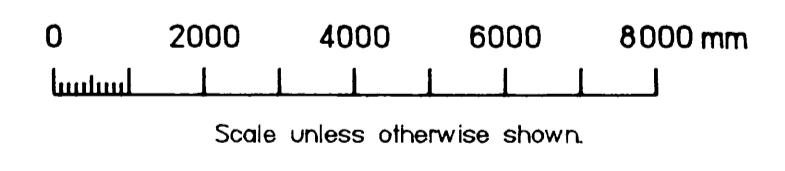
SECTION 1



SECTION 2



SECTION 3



NOTE:
All Stationing is on \bar{C} Spillway

LEGEND OF ZONE DESIGNATIONS

- ZONE 1 - Impervious
- ZONE 2 - Random Pervious
- ZONE 3a - Select Granular
- ZONE 3b - Granular
- ZONE 3c - Granular Bedding
- ZONE 4 - Riprap

ALL DIMENSIONS ARE IN MILLIMETRES UNLESS OTHERWISE SHOWN. ALL STATIONING AND ELEVATIONS ARE IN METRES.

REFERENCE SYSTEM

Item number, Detail, Section, etc. numbered consecutively on each sheet.

Originating sheet number. Sheet on which item is indicated and numbered.

Sheet number on which Detail, Section, etc. is drawn.

Mark	Grid Ref.	Nature of Revision	Date	Eng. By Whom	Dm.

Designed	Submitted
Drawn	Date
Checked	Approved
	Date

Agriculture Canada

Prairie Farm Administration du Rétablissement agricole
Administration des Prairies

Engineering Service

AS CONSTRUCTED Submitted By *[Signature]* Date *7/13*

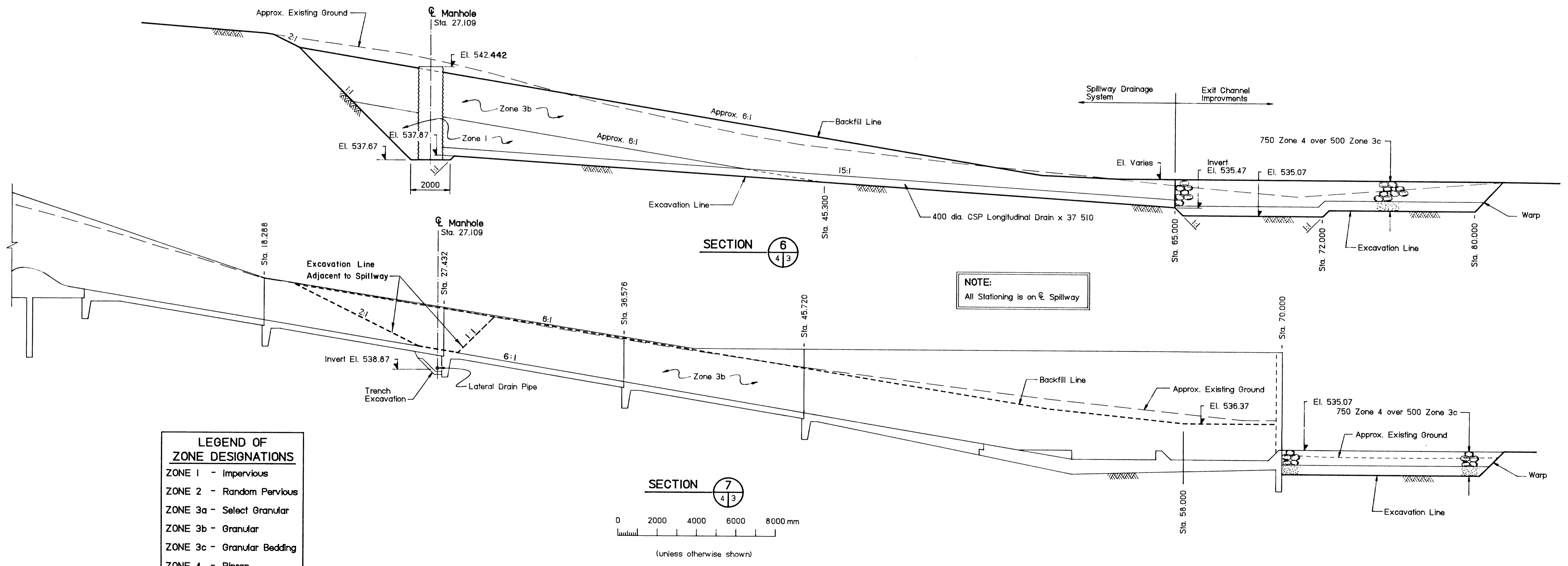
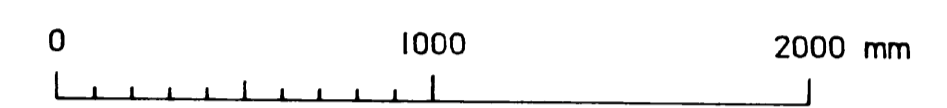
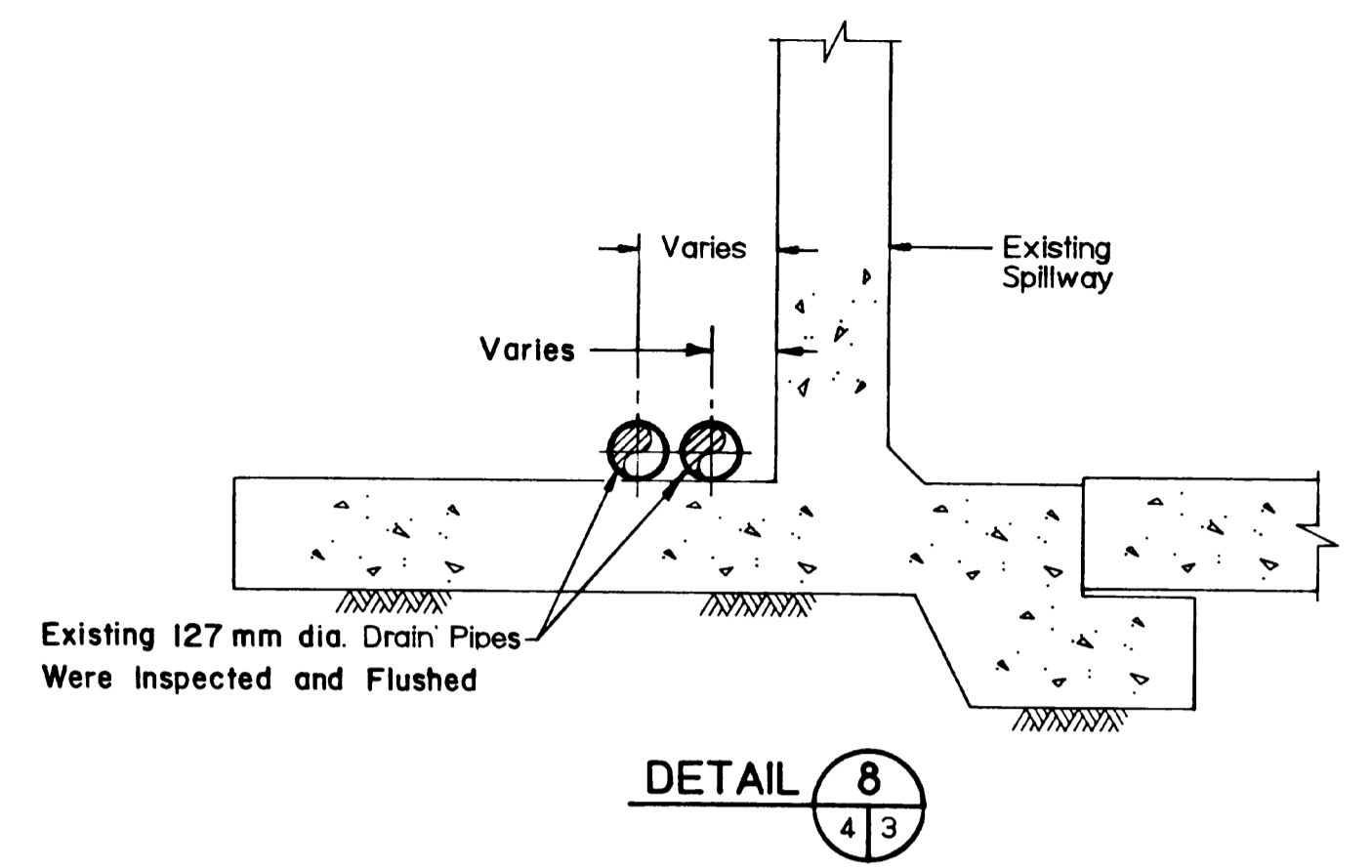
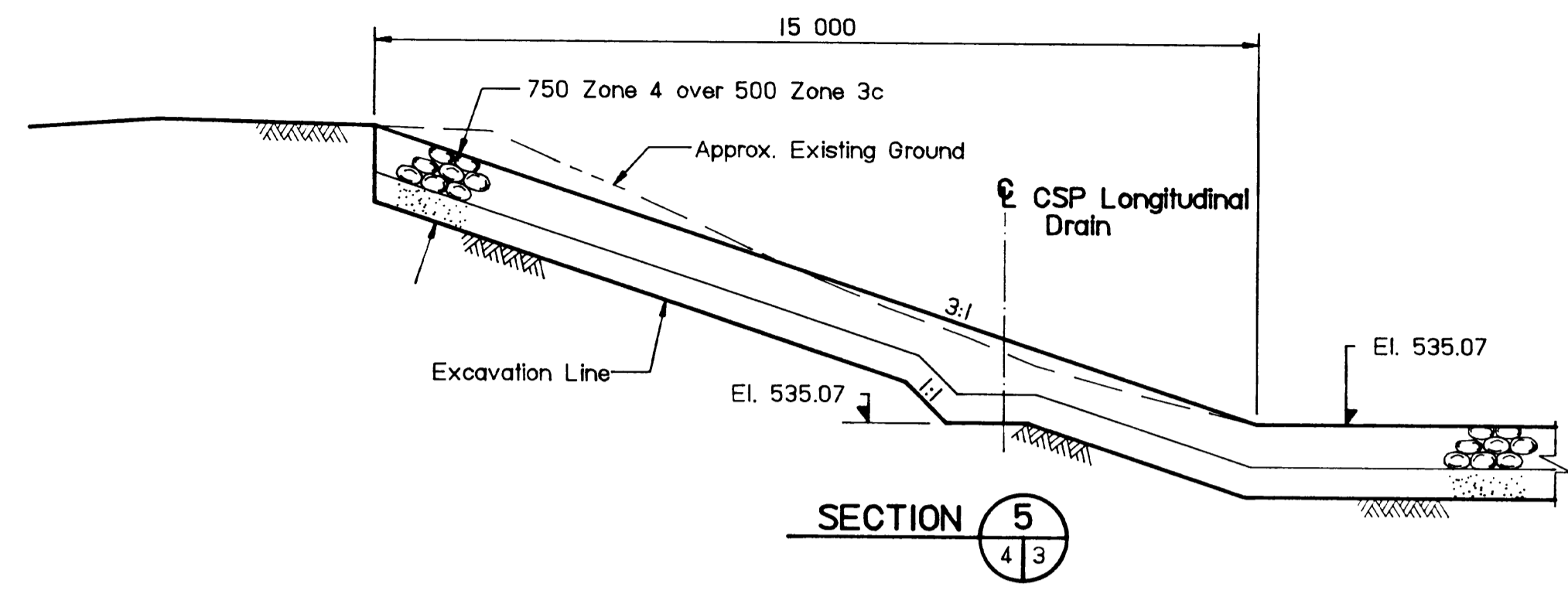
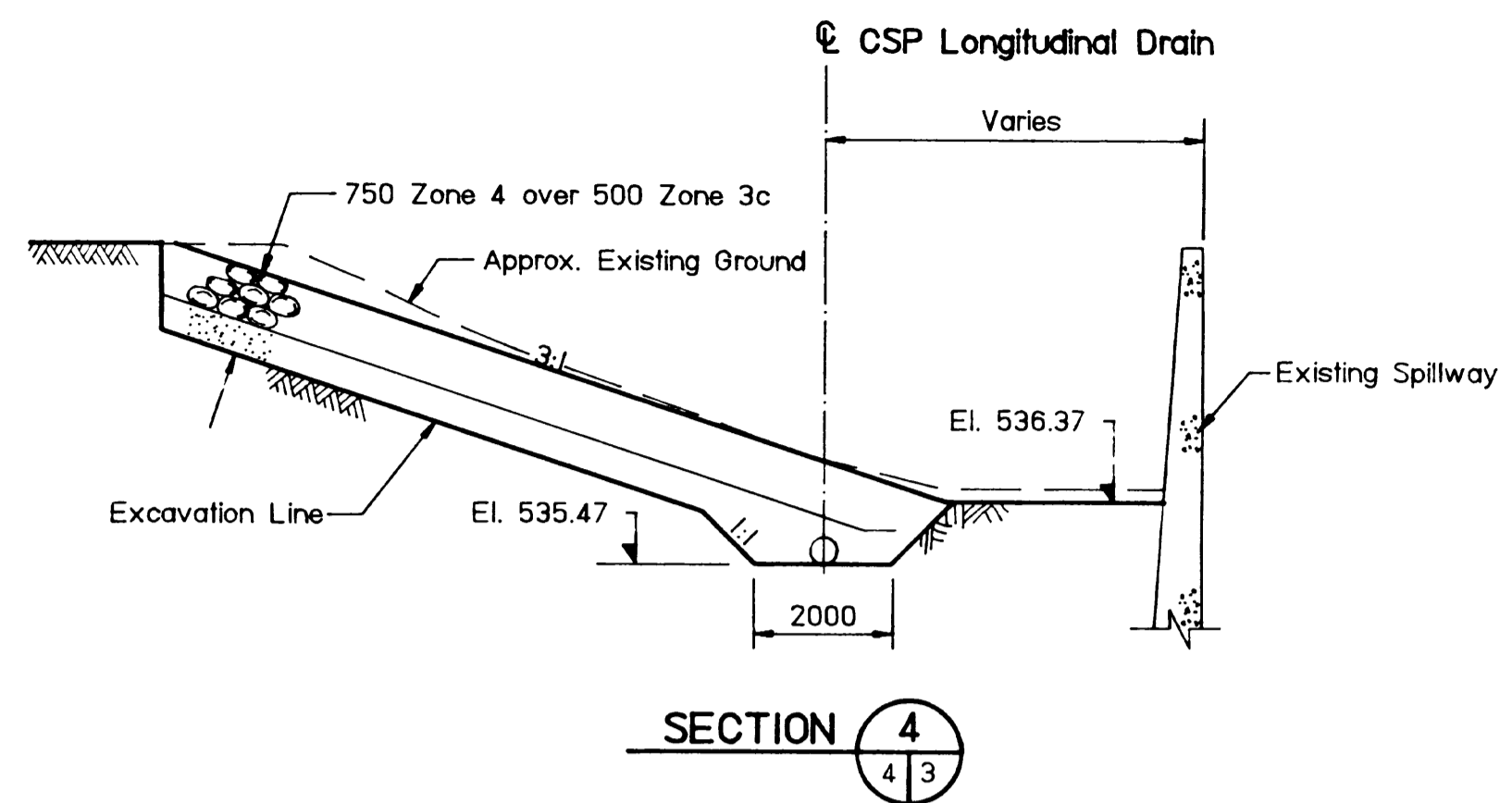
PIPESTONE CREEK (MOOSOMIN DAM) PROJECT

CONTRACT 4 - DAM AND SPILLWAY REHABILITATION

SPILLWAY DRAINAGE SYSTEM - EARTHWORK

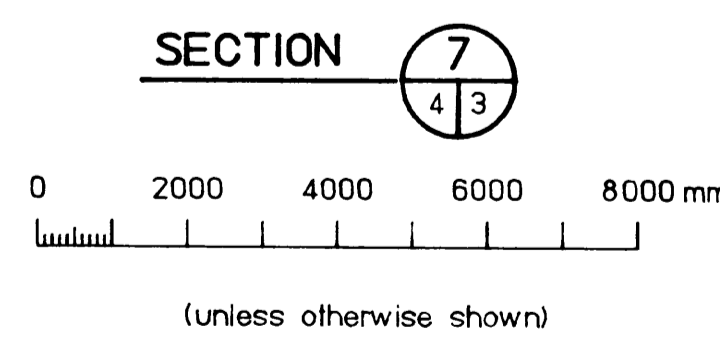
SHEET 1 OF 2

Scale AS SHOWN Date JUNE /90 Sheet 3 of 8 C116088



NOTE:
All Stationing is on ϕ Spillway

LEGEND OF ZONE DESIGNATIONS	
ZONE 1	- Impervious
ZONE 2	- Random Pervious
ZONE 3a	- Select Granular
ZONE 3b	- Granular
ZONE 3c	- Granular Bedding
ZONE 4	- Riprap

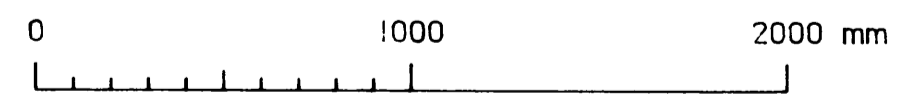
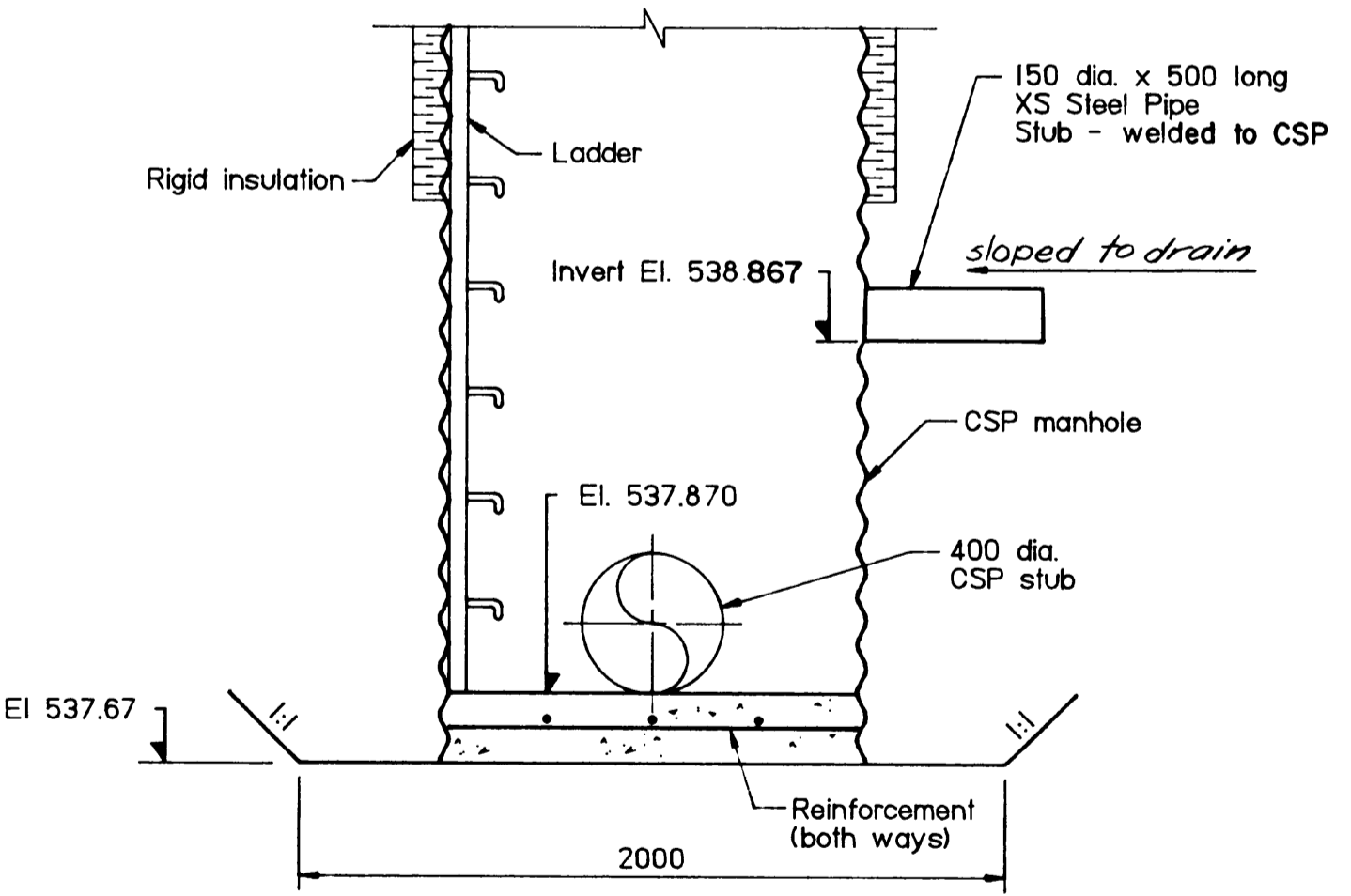
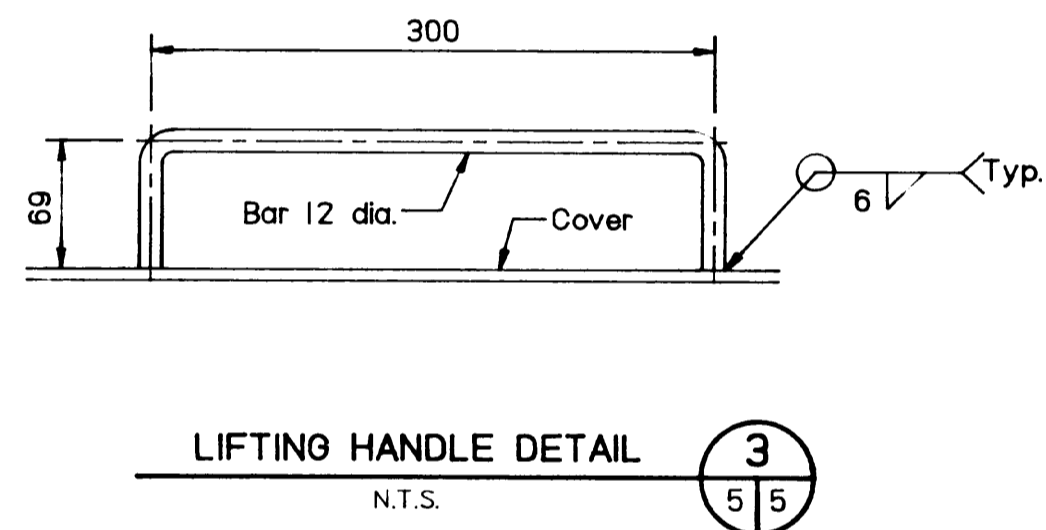
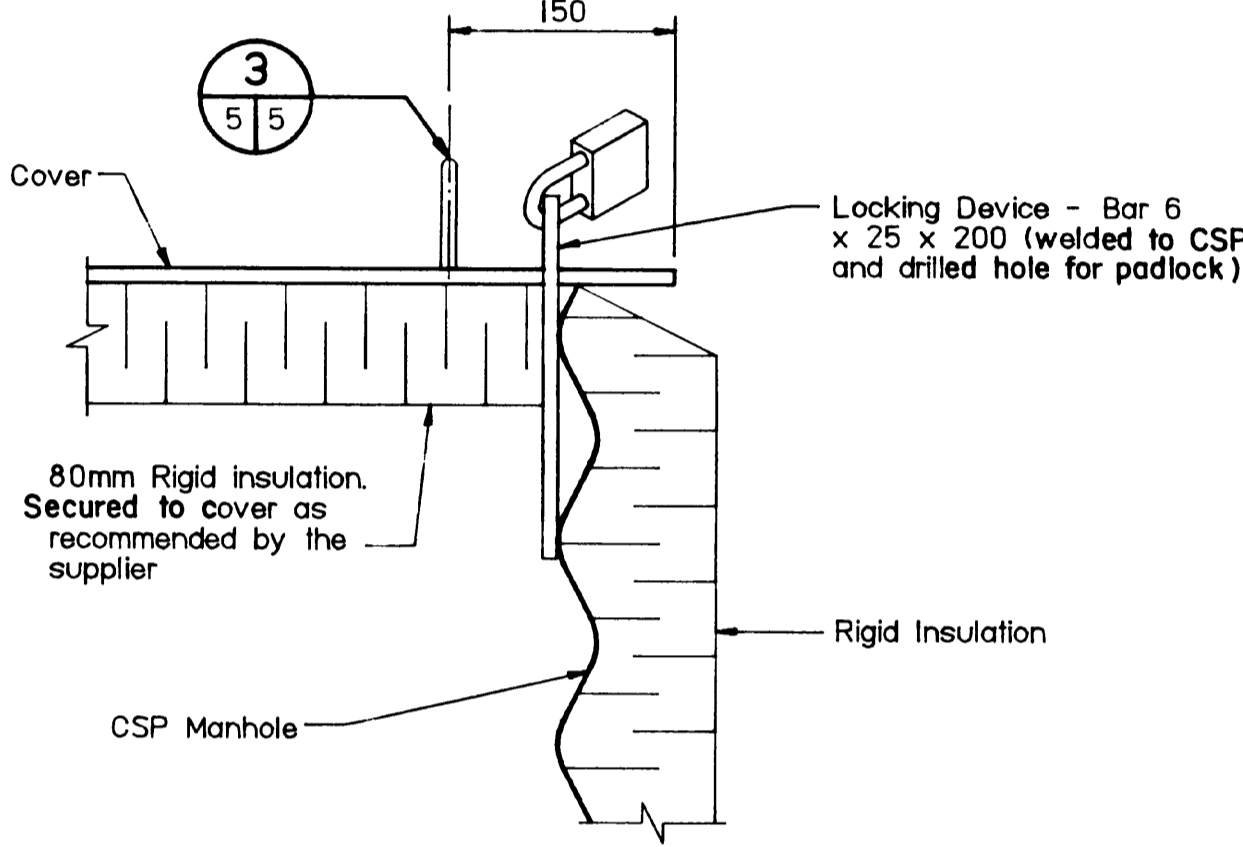
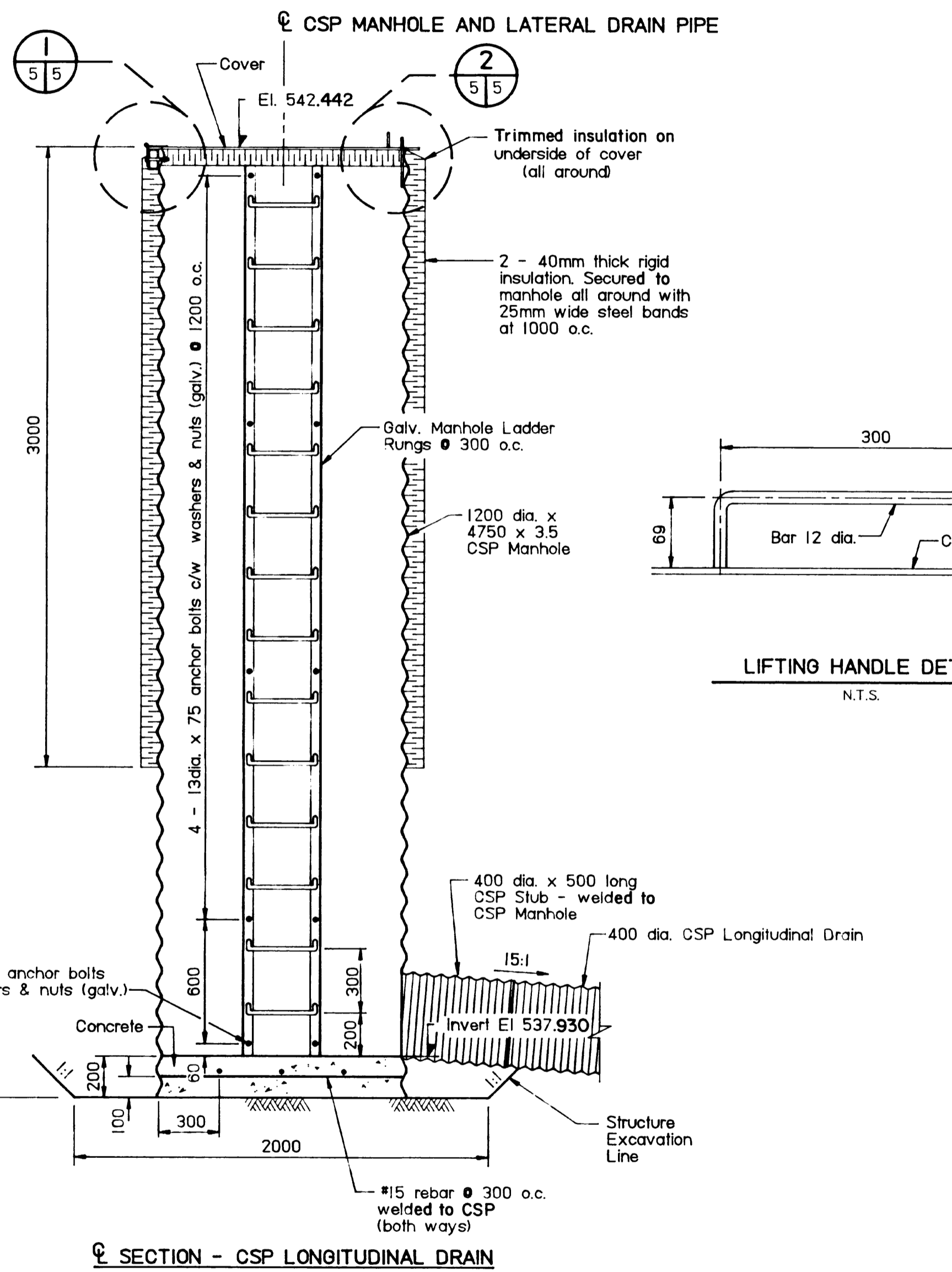
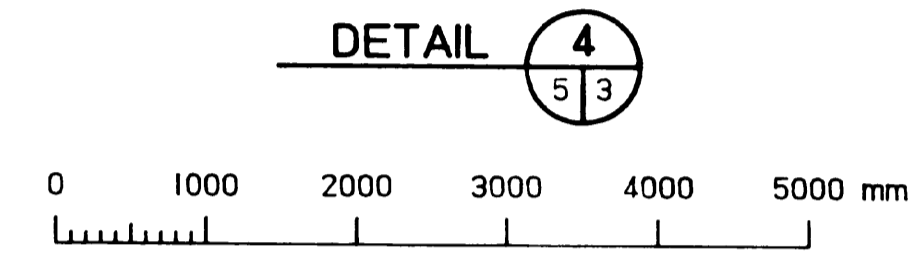
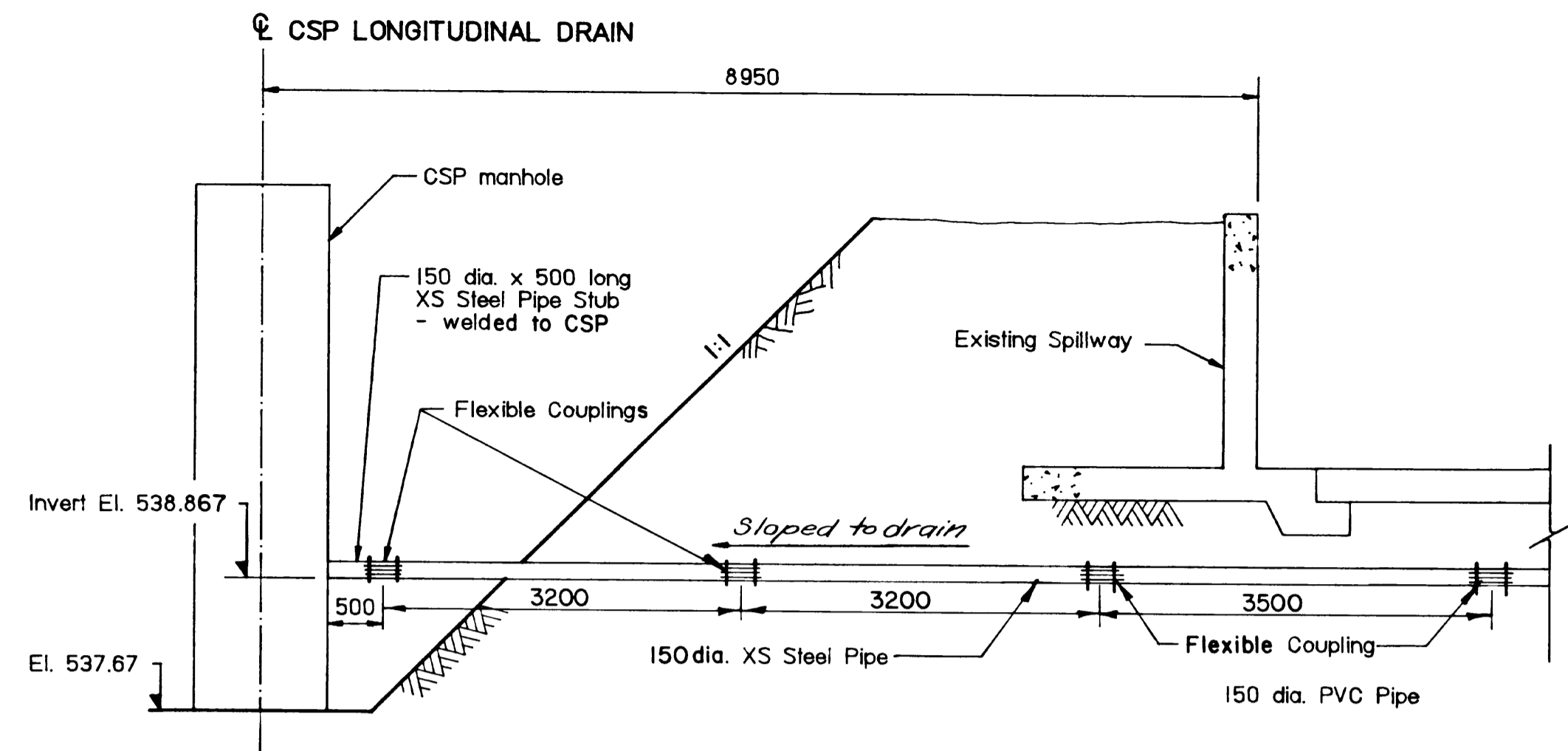
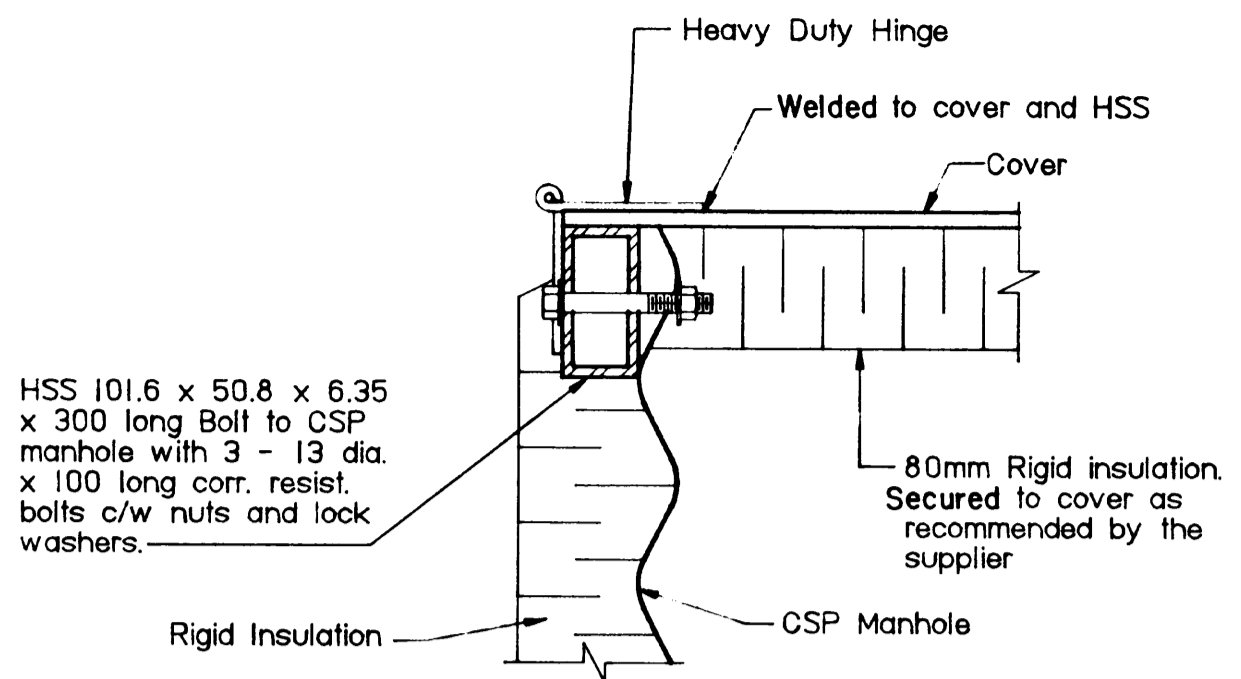
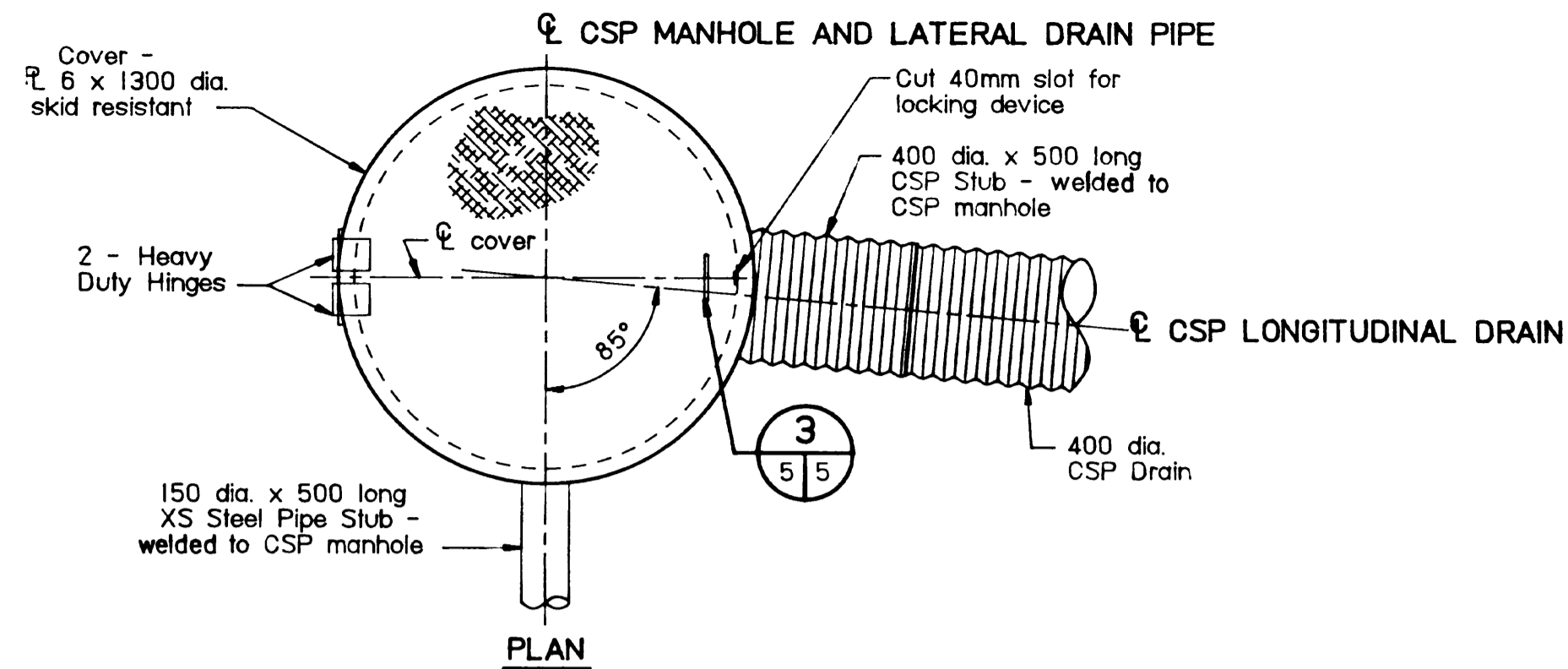


Mark	Grid Ref.	Nature of Revision	Date	Eng. By Whom

Designed <i>[Signature]</i>	Submitted <i>[Signature]</i>
Drawn <i>[Signature]</i>	Date 90/07/13
Checked DAVE GIBBENS	Approved <i>[Signature]</i>
Director, Engineering Service	Date 13/02/90

Agriculture Canada
Prairie Farm Rehabilitation Administration
Administration du Rétablissement agricole des Prairies
Engineering Service

AS CONSTRUCTED	SUBMITTED BY: <i>[Signature]</i>	DATE: <i>January 7/93</i>
PIPESTONE CREEK (MOOSOMIN DAM) PROJECT		
CONTRACT 4 - DAM AND SPILLWAY REHABILITATION		
SPILLWAY DRAINAGE SYSTEM - EARTHWORK		
SHEET 2 OF 2		
Scale AS SHOWN	Date JUNE /90	Sheet 4 of 8
C116089		



Mark	Grid Ref.	Nature of Revision	Date	Eng. By Whom

Designed	Submitted
Drawn	Date
Checked	Approved
	Date

Agriculture Canada
 Prairie Farm Administration
 Administration du Rétablissement agricole
 Administration des Prairies
 Engineering Service

AS CONSTRUCTED		SUBMITTED BY: <i>B. Stewart</i>		DATE: <i>January 1993</i>	
PIPESTONE CREEK (MOOSOMIN DAM) PROJECT					
CONTRACT 4 - DAM AND SPILLWAY REHABILITATION					
SPILLWAY DRAINAGE SYSTEM					
MANHOLE DETAILS					
Scale	AS SHOWN	Date	JUNE /90	Sheet	5 of 8
C116090					