

Gate Frame

Thimble

Cavitation
Damage to
gate frame

Bronze seating face

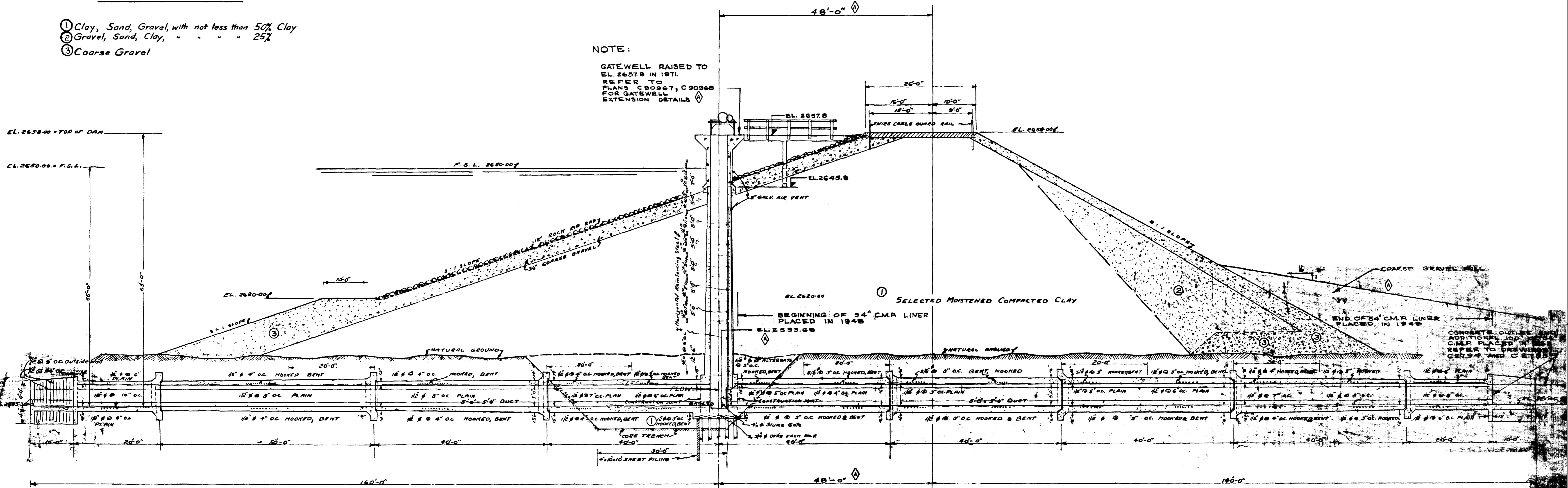
Wedge Block

LEGEND OF MATERIALS

- ① Clay, Sand, Gravel, with not less than 50% Clay
- ② Gravel, Sand, Clay, " " " 25%
- ③ Coarse Gravel

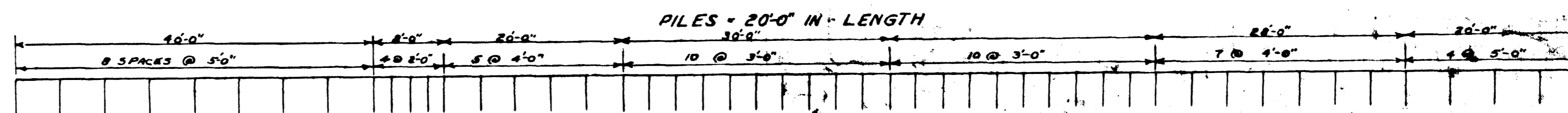
NOTE:

GATEWELL RAISED TO EL. 2657.8 IN 1971. REFER TO PLANS C90967, C90968 FOR GATEWELL EXTENSION DETAILS



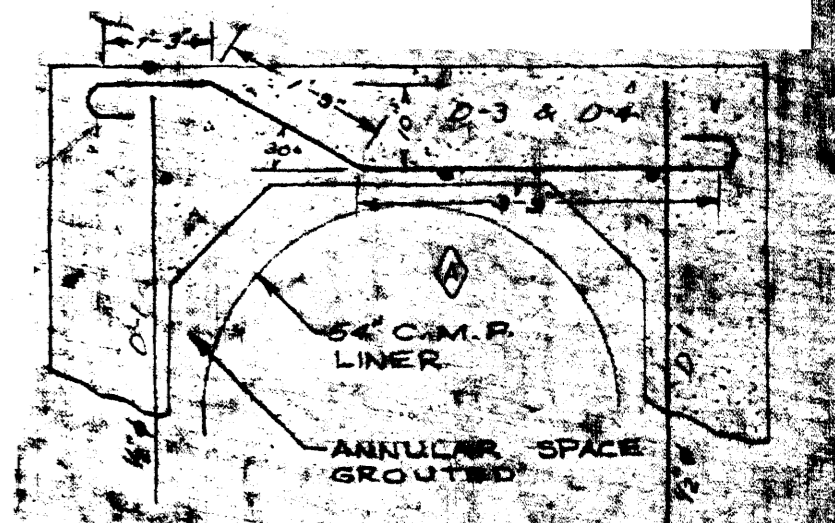
SECTION OF DAM AND OUTLET WORKS

SCALE = 1" = 10'-0"



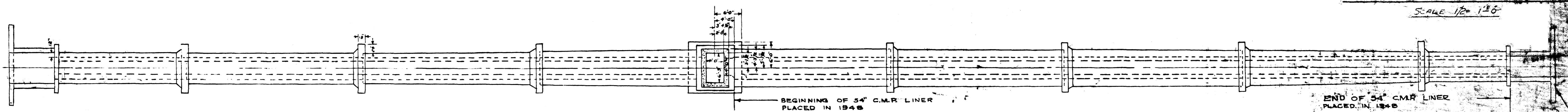
DETAIL OF PILING

SCALE = 1" = 10'-0"



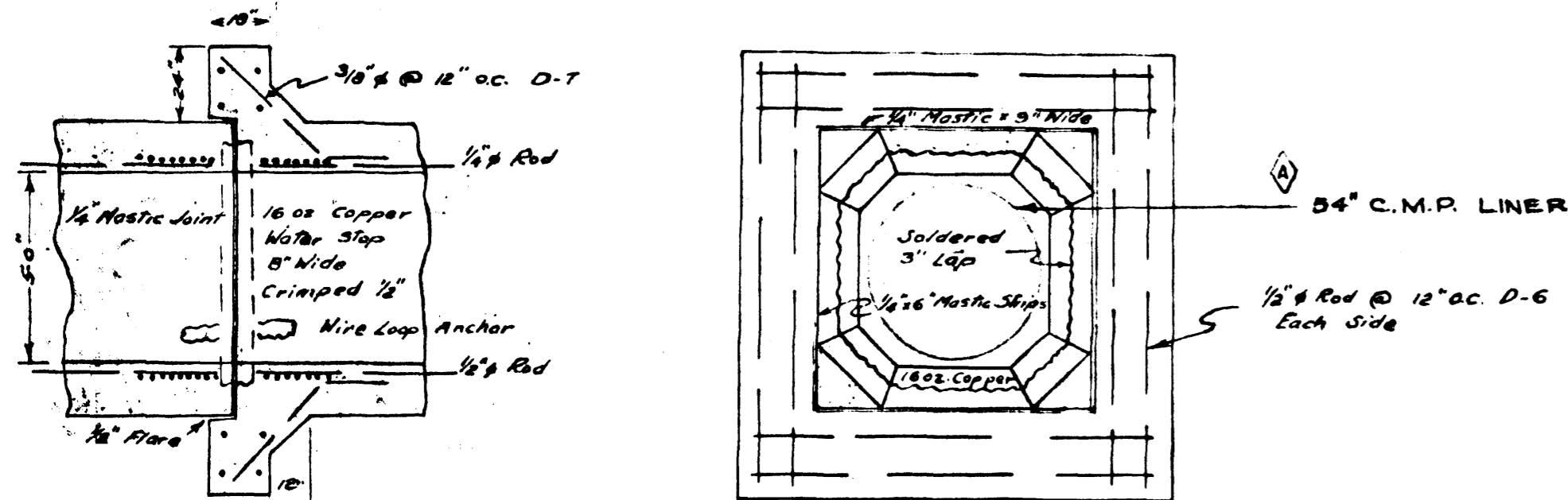
DETAIL OF D3 & D4 BARS

SCALE = 1/2" = 1'-0"



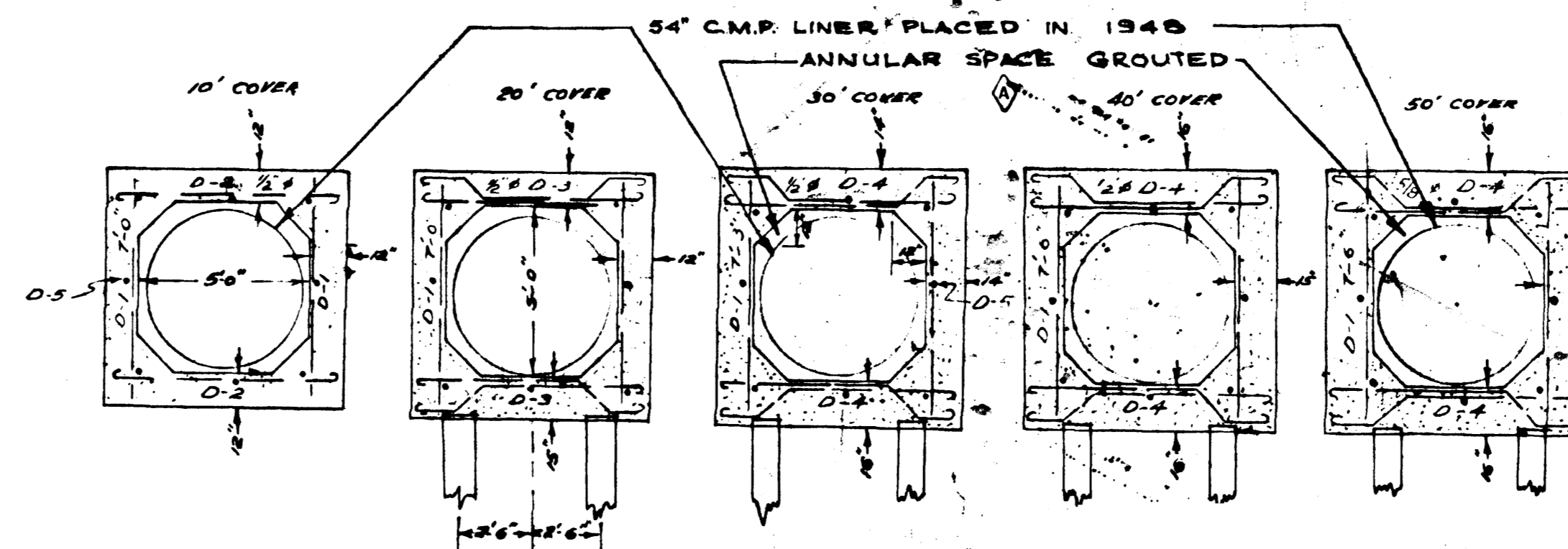
PLAN OF CONCRETE OUTLET DUCT

SCALE = 1" = 10'-0"



DETAIL OF EXPANSION JOINT

SCALE = 1/4" = 1'-0"



SECTIONS OF DUCT

SCALE = 1/2" = 1'-0"

APPLICANT: HIS MAJESTY THE KING IN THE RIGHT OF CANADA

Superintendent of Water Development Under P.F.R.A.
Date: April 14, 1943

Dept. of Agriculture - CANADA
P.F.R.A.
Water Development Branch

SWIFT CURRENT IRRIGATION PROJECT

DUNCAIRN DAM

SECTION OF DAM AND OUTLET WORKS

AS CONSTRUCTED

SCALES AS SHOWN APRIL 1943

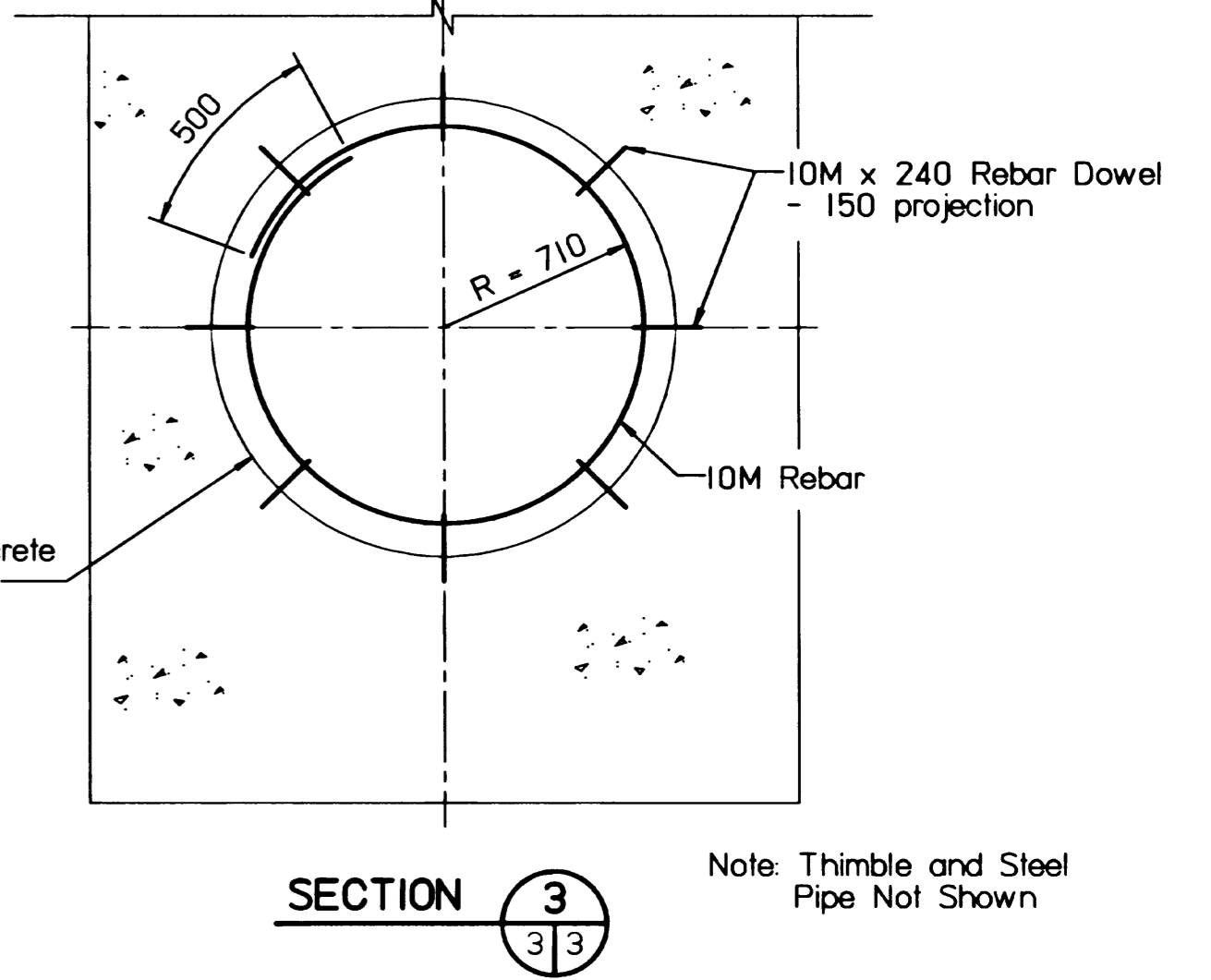
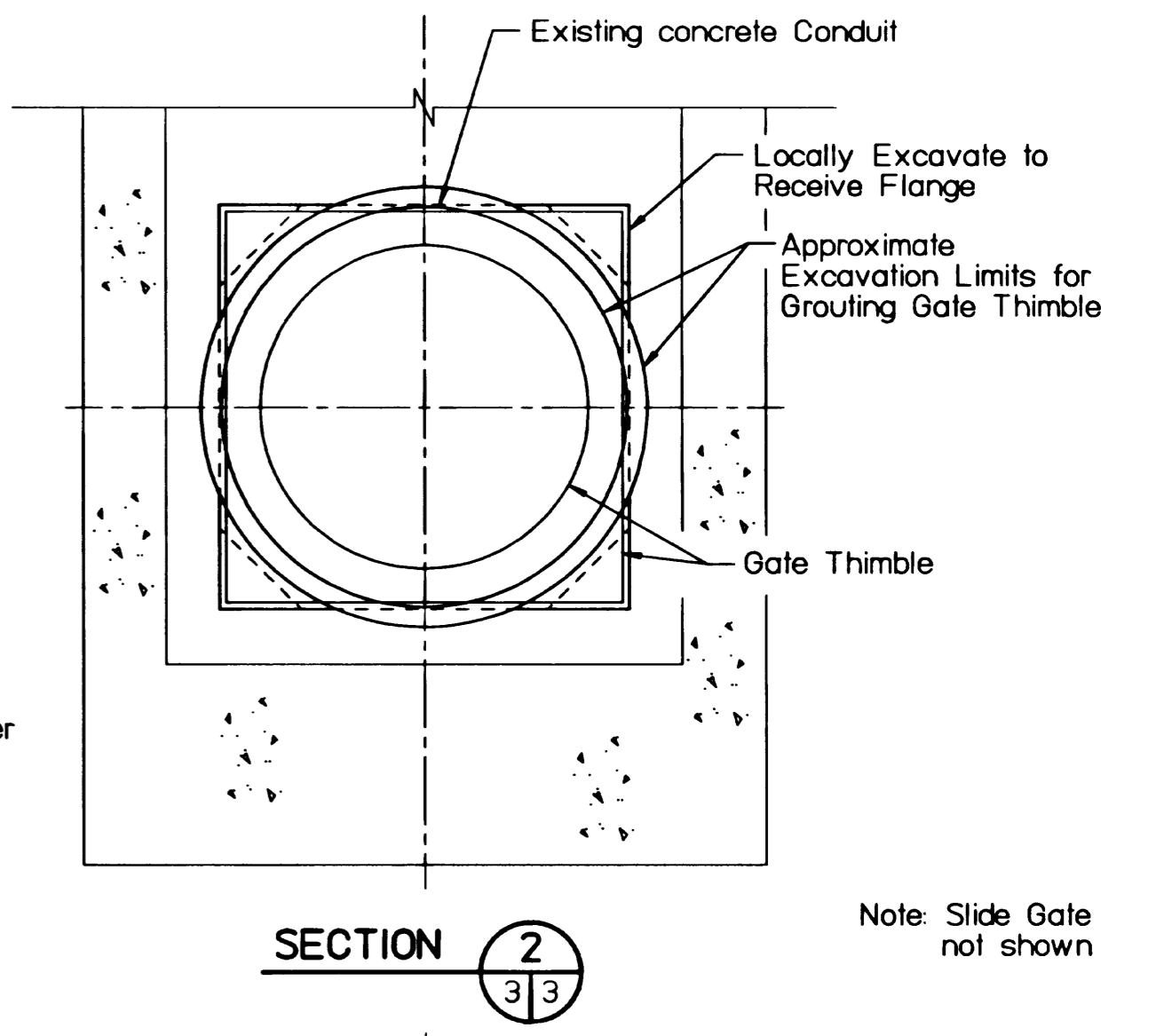
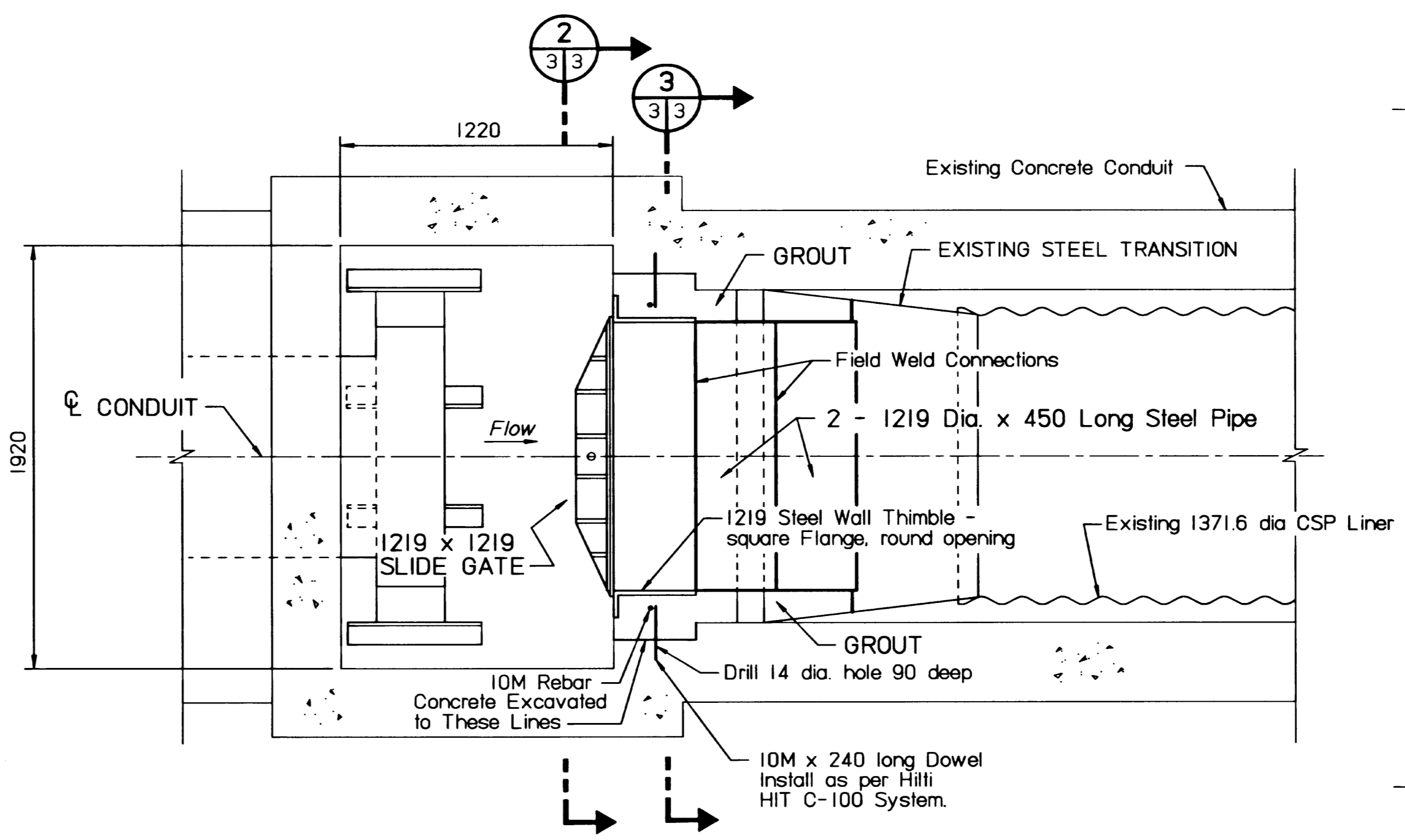
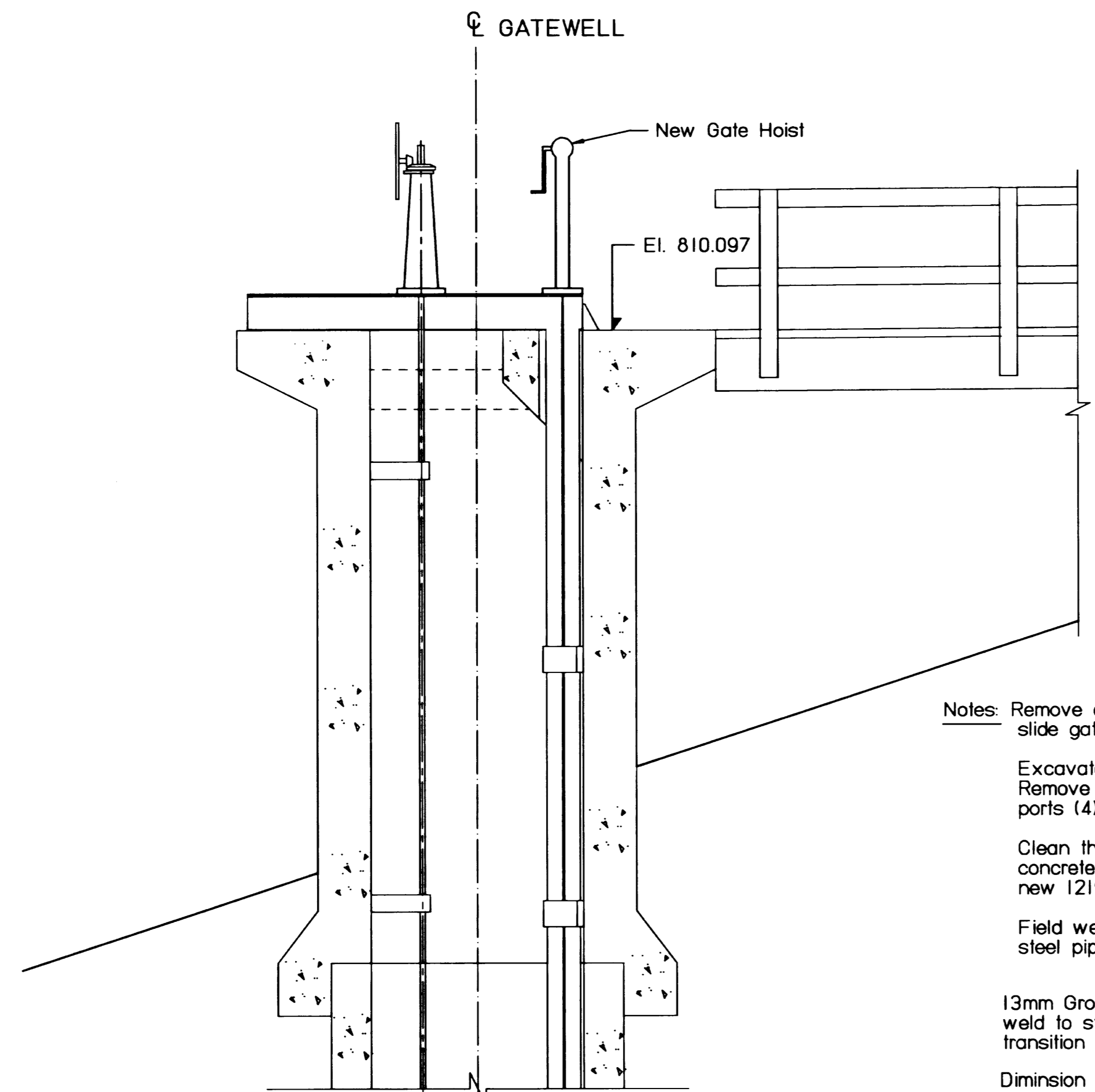
Submitted by: *A.H. Hamilton*
Date: April 9, 1943
Checked by: *[Signature]*
Date: April 14, 1943

APPROVED
DEPARTMENT OF
NATURAL RESOURCES
MAY 13, 1943
[Signature]
CHIEF ENGINEER

MARK	GRID REF.	NUMEROUS CHANGES TO GATEWELL, RIPARIAN OUTLET	DATE	ENG. BY WHOM	G.O.
		NATURE OF REVISION	DATE	ENG. BY WHOM	G.O.

THIS DRAWING SUPERSEDES PLANS 26714

C26714

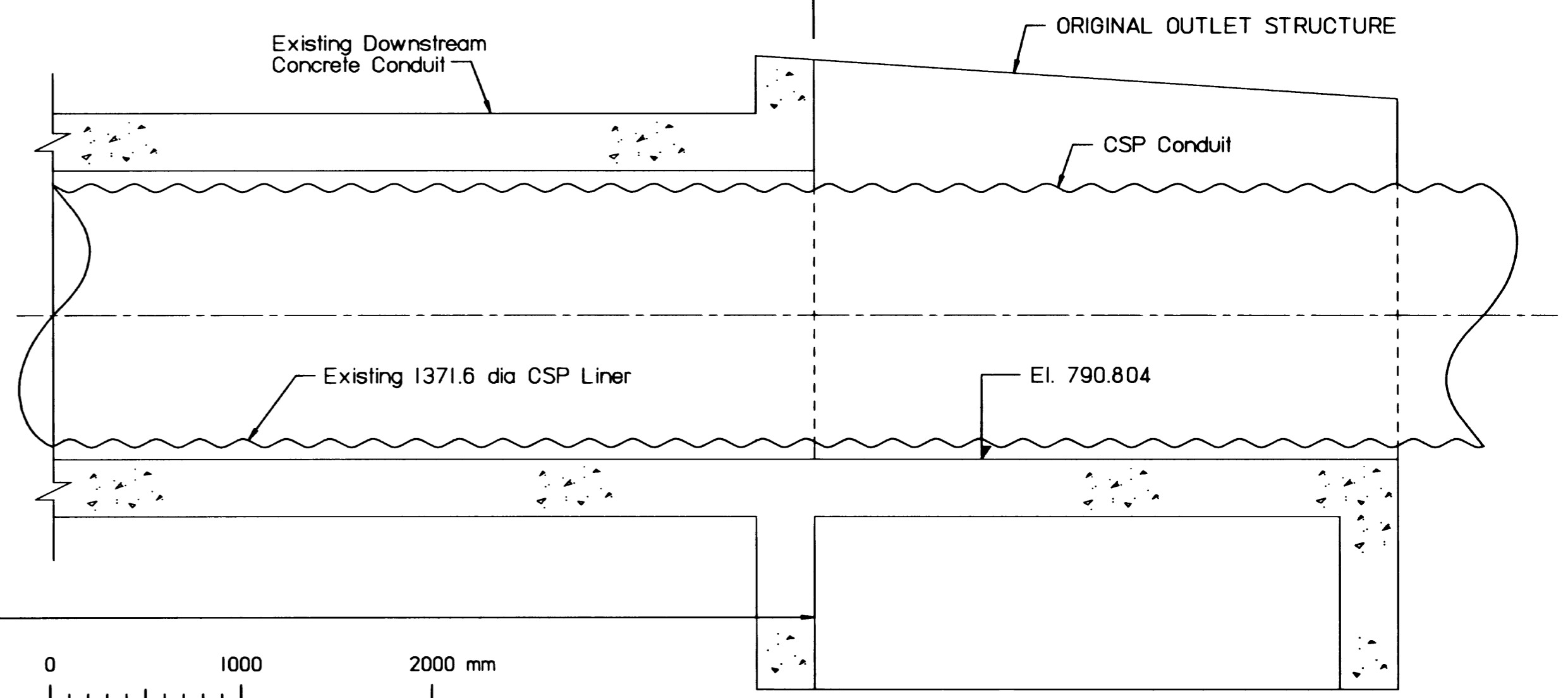
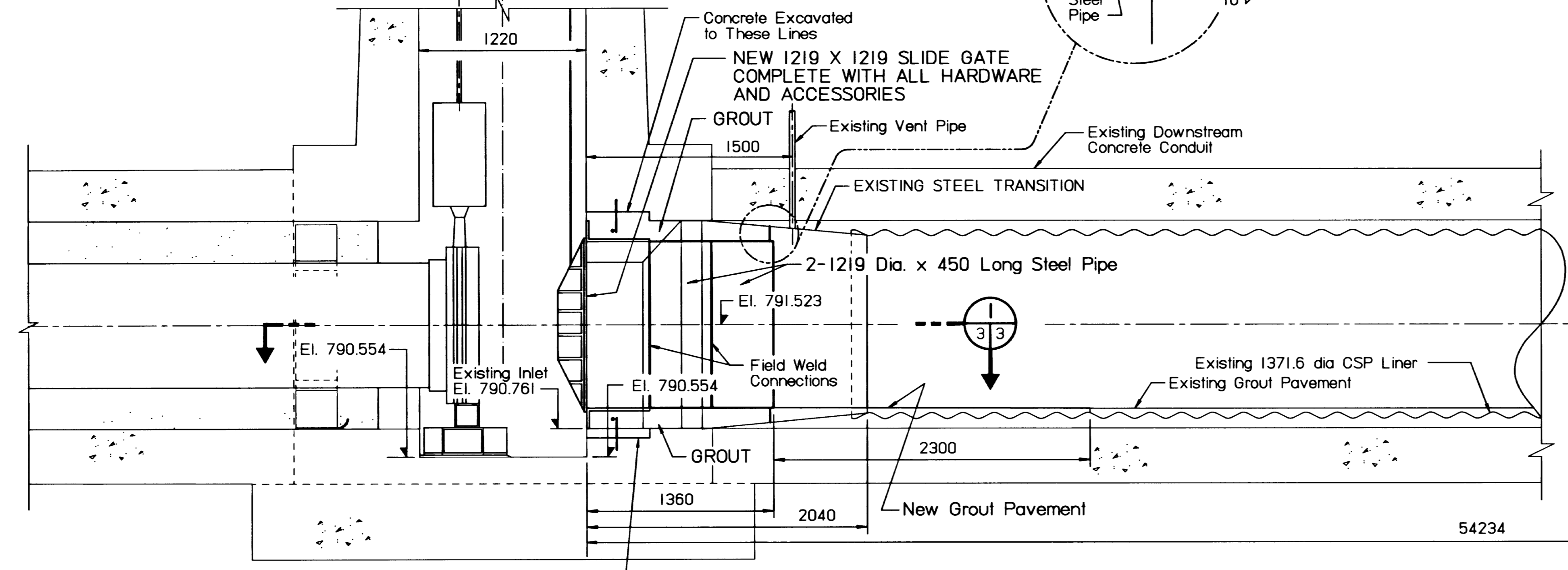
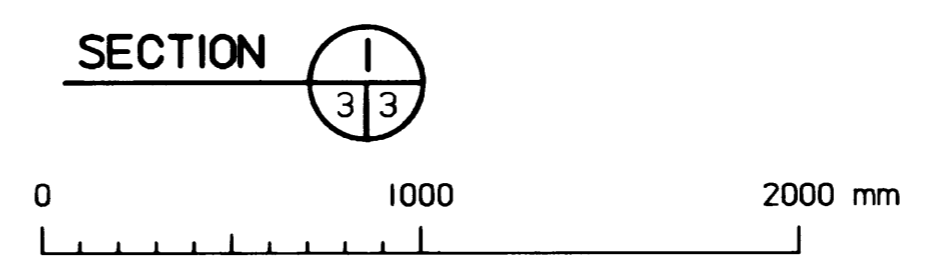
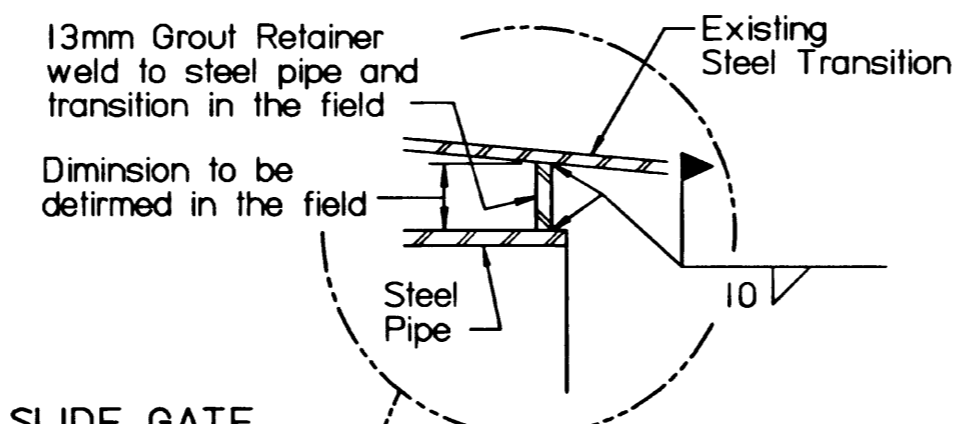


Notes: Remove and dispose of the existing downstream slide gate including all hardware.

Excavate existing concrete materials as shown. Remove all old existing grout nipples and inspection ports (4) and old vent pipe.

Clean the existing steel transition and exposed concrete or grout surfaces in the area of the new 1219 dia steel pipe and thimble.

Field weld inside of thimble and inside of steel pipe sections.



CL PROFILE - DOWNSTREAM CONDUIT LINING

ALL DIMENSIONS ARE IN MILLIMETRES UNLESS OTHERWISE SHOWN ALL STATONING AND ELEVATIONS ARE IN METRES

REFERENCE SYSTEM

Item number, Detail, Section, etc. numbered consecutively on each sheet

Originating sheet number, Sheet on which item is indicated and numbered

Sheet number on which Detail, Section, etc. is drawn

Mark	Grid Ref.	Nature of Revision	Date	Eng.	Draft.

Designed	C.R.C.	Approved	<i>[Signature]</i>
Drawn	G.B.L.	Position Title	DIRECTOR, TECHNICAL SERVICE
Checked	C.R.C.	Date	24-Oct-97

Agriculture and Agri-Food Canada / Agriculture et Agroalimentaire Canada

PFRA ARAP

Prarie Farm Rehabilitation Administration / Administration du rétablissement agricole des Prairies

DUNCAIRN DAM PROJECT			
CONTRACT 4 - RIPARIAN OUTLET WORKS REHABILITATION			
DOWNSTREAM SLIDE GATE REPLACEMENT			
Scale	As Shown	Date	Oct/97
Sheet	3	of	206888