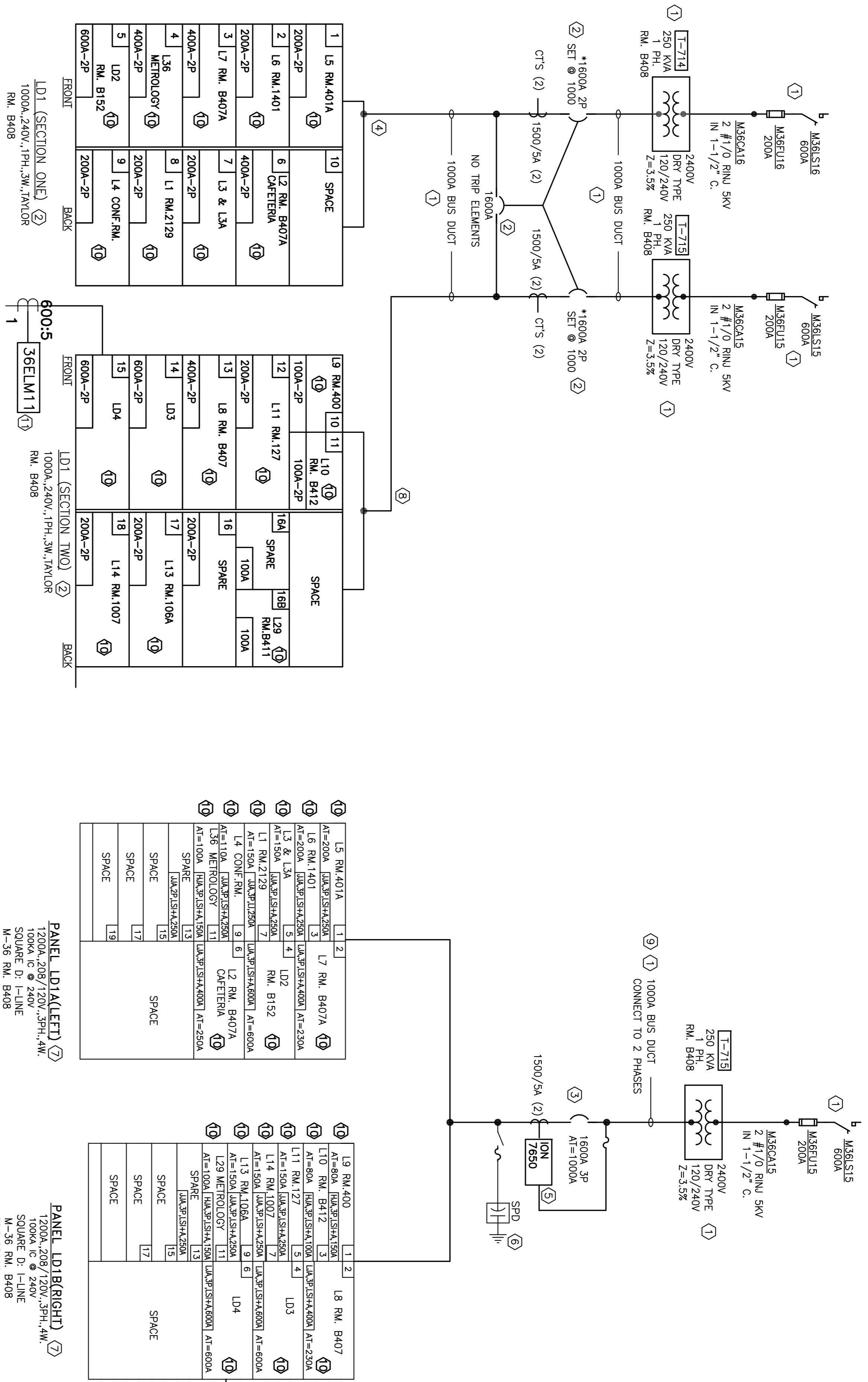
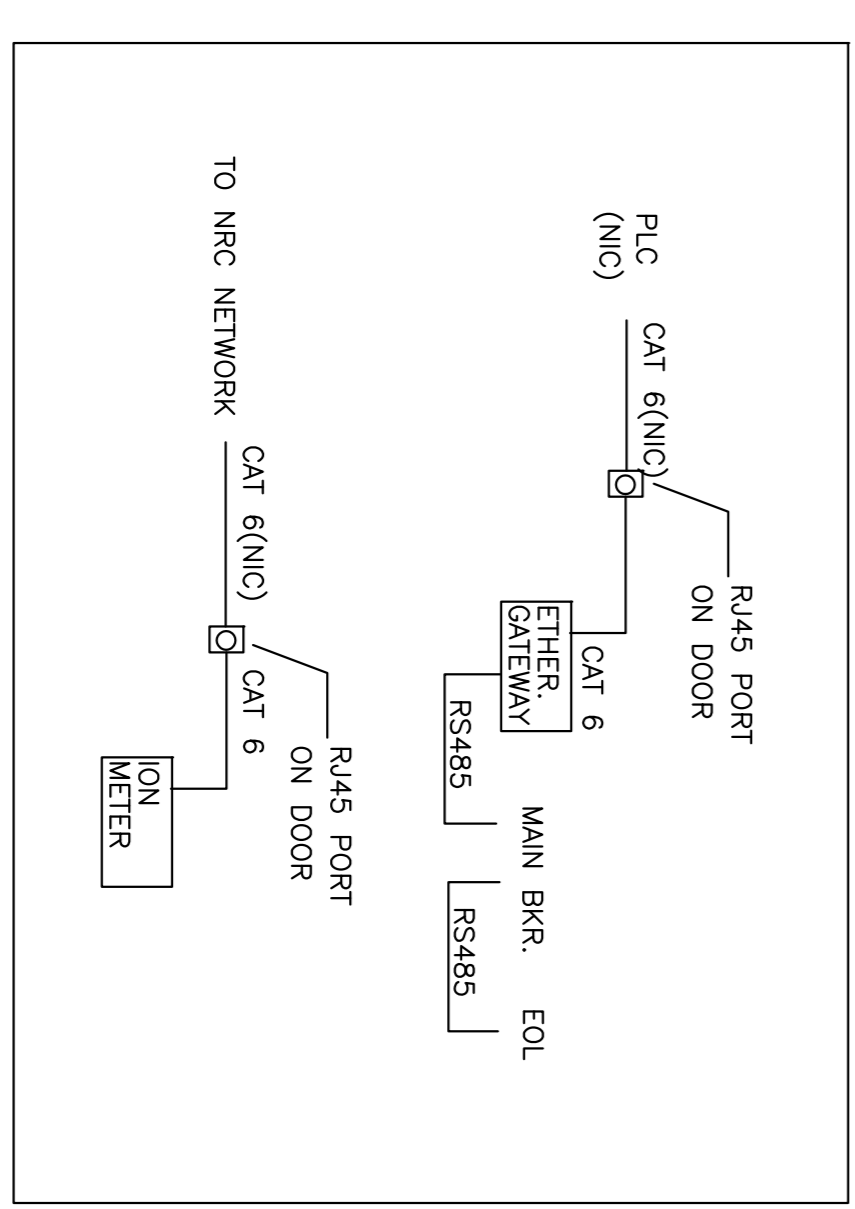


GENERAL NOTES

- EXISTING EQUIPMENT TO REMAIN
- EXISTING EQUIPMENT TO BE DEMOLISHED.
- PROVIDE NEW SWITCHBOARD INCLUDING MAIN BREAKER:
 - SO D NW DRAWOUT TYPE, 1600A FRAME
 - LSIG, MICROLOGIC 6.0H FOR MAINS, PROVIDE PROTECTION SETTING BY COORDINATION STUDY
 - MOTORIZED FOR CLOSE AND OPEN, COMMUNICATE FROM PLC(OUT IN CONTRACT) THROUGH MODBUS TCP/IP
 - PRE WIRED ETHERNET GATEWAY TO MODBUS NETWORK, PROVIDE MODBUS TO AND FUNCTION REGISTER LIST FOR ACCESSIBLE FROM EXTERIOR SURFACE.
- EXISTING BUSDUCT TO BE CAPPED ABOVE NEW EQUIPMENT.
- PROVIDE ON BOARD DIGITAL METER:
 - POWERLOGIC 7650, ETHERNET PORT
 - PREWIRED TO DEDICATED ETHERNET PORT ACCESSIBLE FROM EXTERIOR SURFACE.
- PROVIDE SPD
- PROVIDE NEW SO, D I-LINE PANEL PART OF SWITCHBOARD W/NE-UP BREAKERS WITH ELECTRONIC TRIP UNIT AS SHOWN. PROVIDE ON BOARD CONTROL POWER FOR TRIP UNIT.
- MODIFY EXISTING BUSDUCT TO SUIT NEW INSTALLATION AIRTRON.
- CARRY COST TO REINSTATE EXISTING DDC POINTS BY AIRTRON.
- EXISTING FEEDS TO BE REROUTED TO NEW PANEL SOURCE, PROVIDE EXTRA WIRING AND SPLICES AS REQUIRED, CONTRACTOR TO VERIFY WIRE SIZE AND MARK ON AS BUILT DRAWING.
- PROVIDE CAT 6 ETHERNET CABLE AND RJ45 CONNECTOR AT BOTH ENDS FROM PLC TO SWITCHBOARD. 27MM EMT FROM LAST PULL BOX TO SWITCHBOARD.

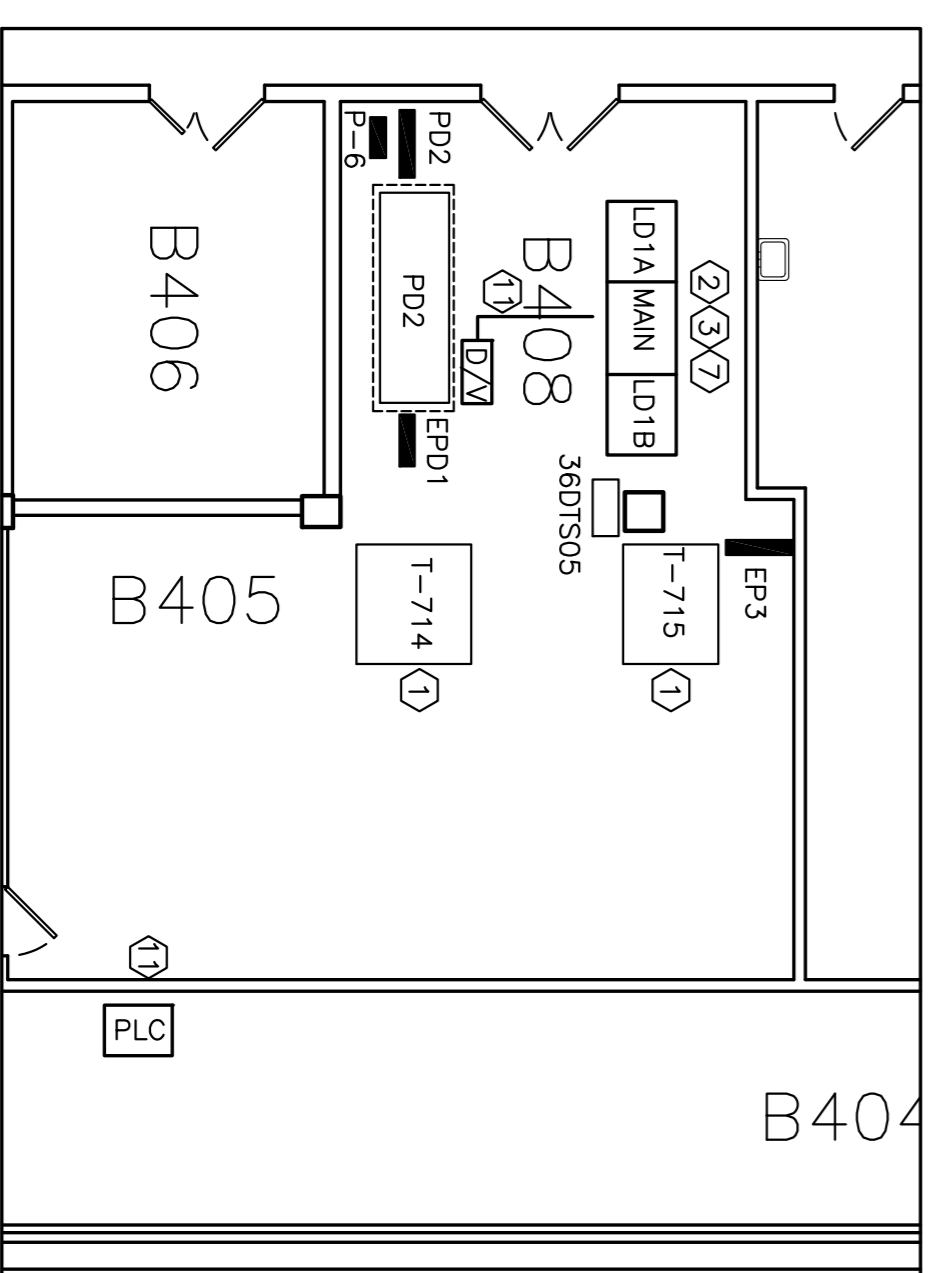


1 EXISTING SINGLE LINE DIAGRAM
 SCALE: E01



3 NETWORK CONNECTION
 SCALE: E01

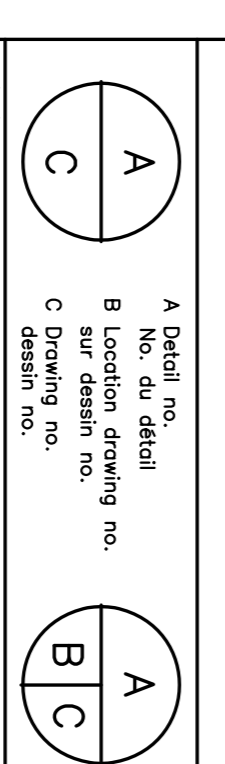
2 NEW SINGLE LINE DIAGRAM
 SCALE: E01



4 PARTIAL ELECTRICAL ROOM LAYOUT
 SCALE: 1:100

PANEL LD1(ALEFT) 1200A, 208/120V, 3PH, 4W, 100KA, IC @ 240V SQUARE D - I-LINE M-36 RM, B408 DRP PROOF

PANEL LD1(BRIGHT) 1200A, 208/120V, 3PH, 4W, 100KA, IC @ 240V SQUARE D - I-LINE M-36 RM, B408 DRP PROOF



<p>Verify all dimensions and site conditions and be responsible for same</p> <p>○ Vérifier toutes les dimensions et l'état des lieux et en assumer la responsabilité</p>	
<p>A Detail no. No. du détail</p> <p>B Location drawing no. sur dessin no.</p> <p>C Drawing no. dessin no.</p>	
<p>Project: BUILDING M-36 SWITCHBOARD LDI REPLACEMENT</p>	
<p>Project: MONTREAL ROAD CAMPUS</p>	
<p>Drawing: SINGLE LINE DIAGRAM</p>	
designed	config/ date
KXL	JUNE/2016
drawn	designé/ scale
KXL	AS NOTED
checked	vérifié/ sheet
	E01 of/ de
approved	approuvé/ W.O.no.
BV	A1-006925
dwg.no.	dessein no.
5216-E01	

