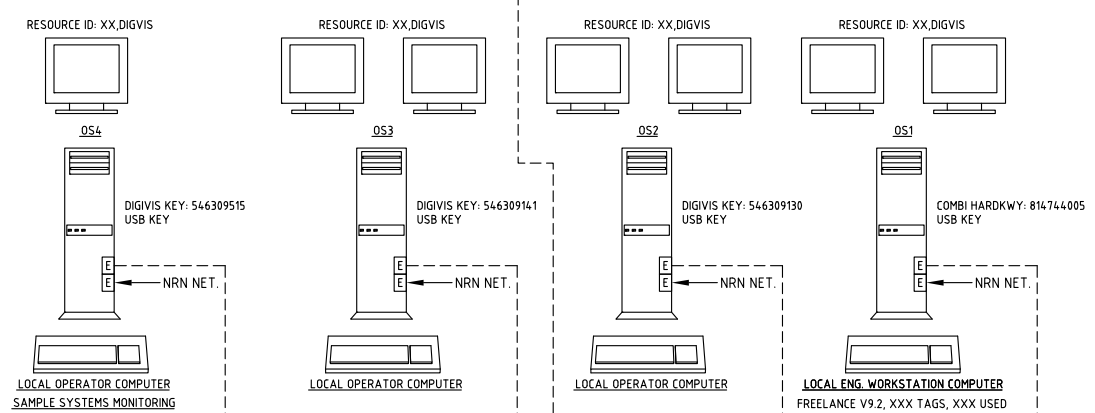
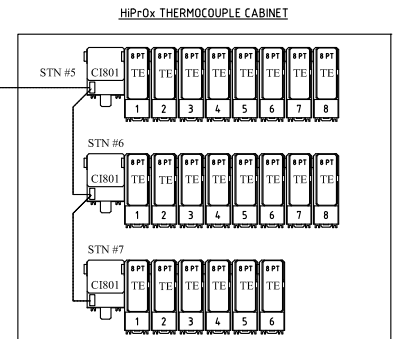
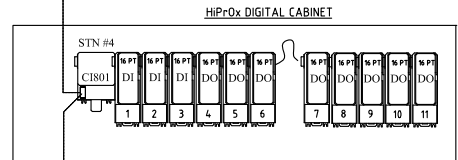
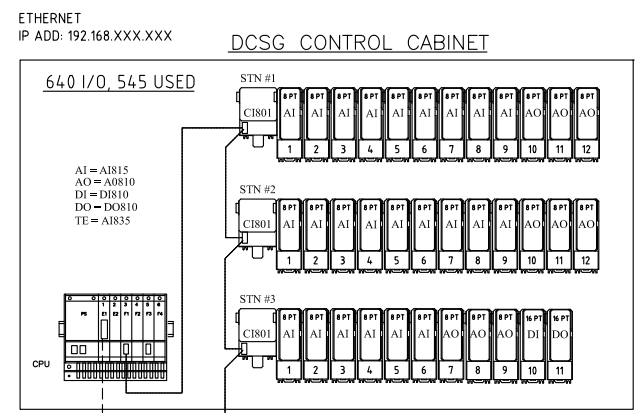


RevNo	Revision note	Date	Signature	Checked
x	x			



LOCAL ETHERNET SWITCH

REFERENCE DRAWINGS		
DWG NO.	REV	DESCRIPTION

NOTES:  
1

ETHERNET CARD 1  
IP ADD: XXX.XXX.XXX.XXX  
SUBNET MASK: 255.255.255.0

ETHERNET CARD 2  
IP ADD: XXX.XXX.XXX.XXX  
SUBNET MASK: 255.255.254.0  
GATEWAY: 132.156.196.0

ETHERNET CARD 1  
IP ADD: XXX.XXX.XXX.XXX  
SUBNET MASK: 255.255.255.0

ETHERNET CARD 2  
IP ADD: XXX.XXX.XXX.XXX  
SUBNET MASK: 255.255.254.0  
GATEWAY: 132.156.196.0

ETHERNET CARD 1  
IP ADD: XXX.XXX.XXX.XXX  
SUBNET MASK: 255.255.255.0

ETHERNET CARD 2  
IP ADD: XXX.XXX.XXX.XXX  
SUBNET MASK: 255.255.254.0  
GATEWAY: 132.156.196.0

ETHERNET CARD 1  
IP ADD: XXX.XXX.XXX.XXX  
SUBNET MASK: 255.255.255.0

ETHERNET CARD 2  
IP ADD: XXX.XXX.XXX.XXX  
SUBNET MASK: 255.255.254.0  
GATEWAY: 132.156.196.0

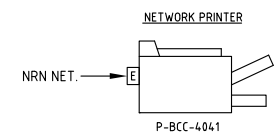


ABB Sentinel Licience: SIDxxxx

ETHERNET CABLE  
FOR CONTROL SYSTEM  
- LOCAL NETWORK

 Natural Resources Canada CANMET Energy Technology Center	 Ressources naturelles Canada Centre de la technologie de l'énergie de CANMET	 CANMET Engineering Services Group	Itemref	Quantity	Title/Name, designation, material, dimension etc		Article No./Reference	
			Designed by S. BETHUNE	Checked by S. BETHUNE	Approved by - date	Filename P001617-XXX	Date 12 MAY 2015	Scale XXX