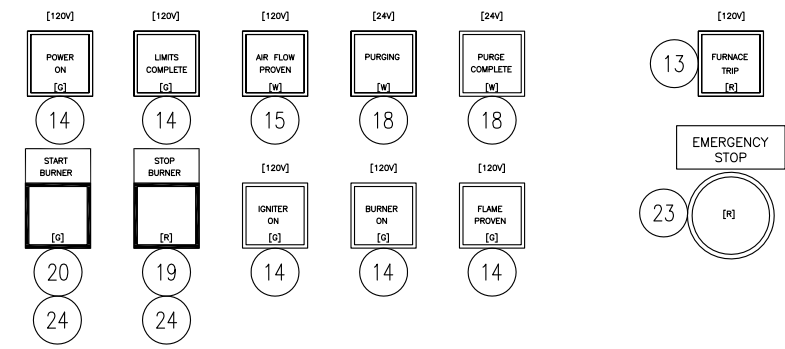
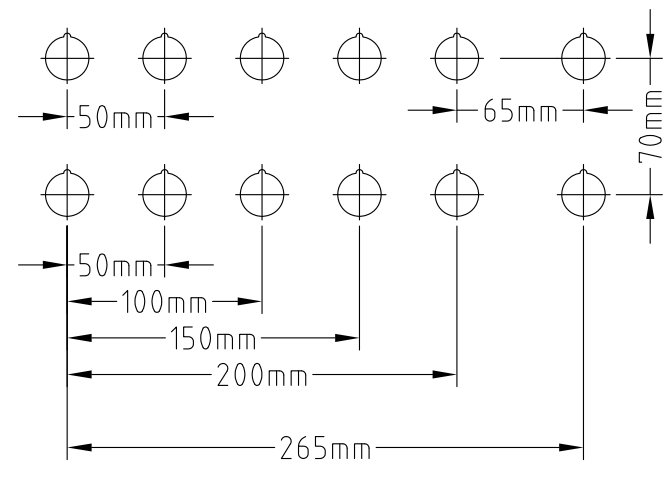
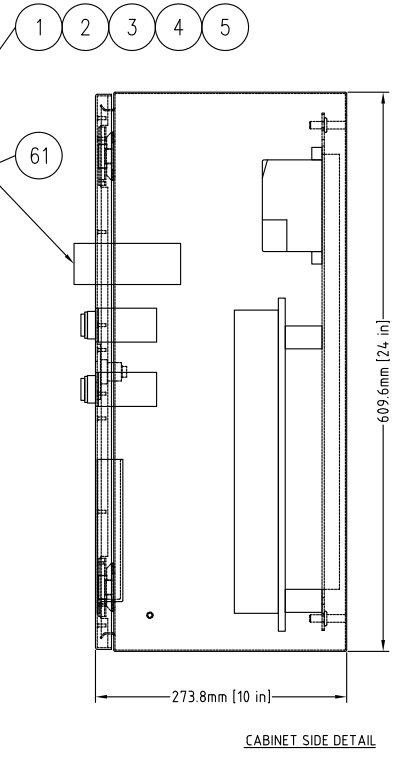
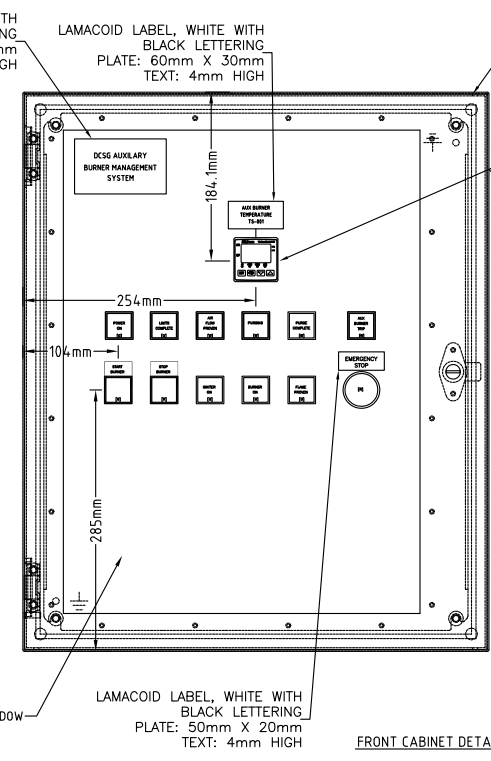
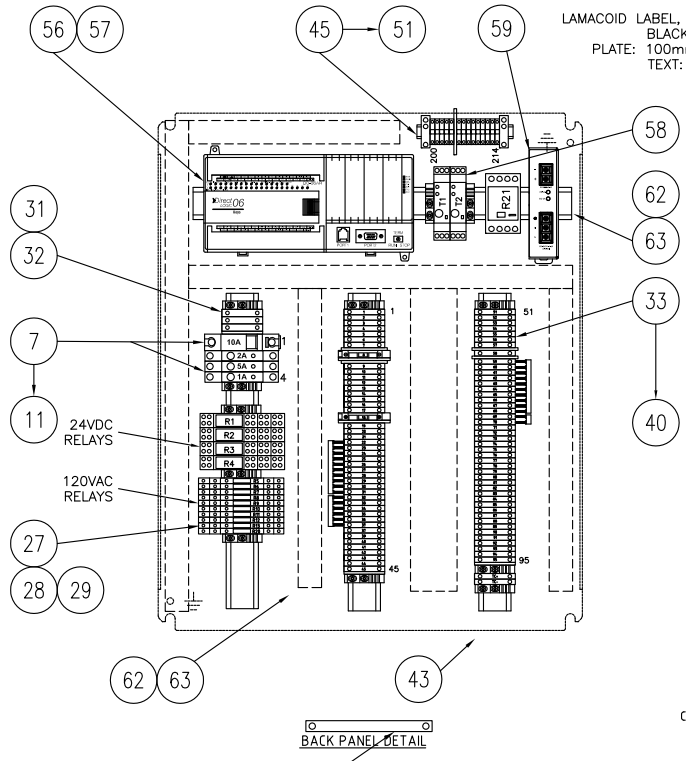
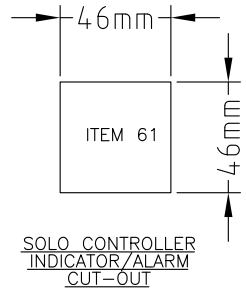
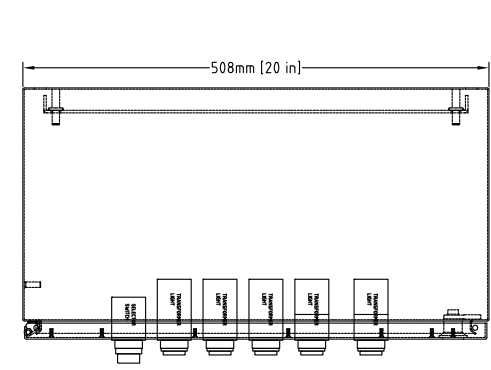
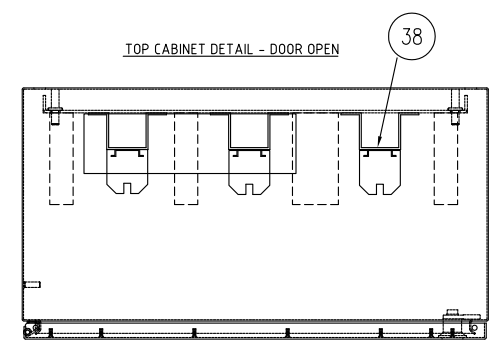


RevNo	Revision note	Date	Signature	Checked
X	XX		SB	



ITEM	QTY	DESCRIPTION	ITEM	QTY	DESCRIPTION
31	3	ENTRELEC, TERMINAL BLOCKS, M 6/8, 115 118.11			
32	1	ENTRELEC, END SECTION M 6/8, 118 368.16	1	1	HOFFMAN, NEMA 4 ENCLOSURE, C-SD24-2010WLG
33	88	ENTRELEC, TERMINAL BLOCK, M 4/6, WITH TEST SOCKET, 115 217.14	2	1	HOFFMAN, BACK PANEL, C-P24-20
34	4	ENTRELEC, END SECTION, M 4/6, 118 368.16	3	1	HOFFMAN, MOUNTING FOOT KIT, C-MTGFT
35	4	ENTRELEC, SEPARATOR END SECTION, SCFM6, 114 825.05	4	2	HOFFMAN, NON-LOCKING HANDLE, C-WHNL
36	10	ENTRELEC, END STOP (ALL RAILS), 206 351.16	5		
37	1.0 M	ENTRELEC, ASSY. RAIL, PR30, (2m), DIN 3, 35mm, 173 220.05	6		
38	6	ENTRELEC, RAIL OFFSET BRACKET, TS 0441-SM6, 4.0mm HIGH, 0101 655.06	7	1	WEIDMULLER, CIRCUIT BREAKER, THERMAL MAGNETIC, 1.0A, 9101203500
39	3	ENTRELEC, COMB-TYPE JUMPER BAR, PC6, 10 POLE, 35A, (M 4/6), 113 548.26	8	1	WEIDMULLER, CIRCUIT BREAKER, THERMAL MAGNETIC, 2.0A, 9101503500
40	2	ENTRELEC, VERTICAL, MARKING TAGS, RC610, 1 to 100, 233 060.04	9	1	WEIDMULLER, CIRCUIT BREAKER, THERMAL MAGNETIC, 5.0A, 9101803500
41	2	ENTRELEC, FUSED TERM. BLOCK M4/8.SFL, 115 657.25	10		
42	1	ENTRELEC, END SECTION, M4/8.SFL, 116 951.15	11	1	WEIDMULLER, CIRCUIT BREAKER, BRANCH CIRCUIT RATED, HYDRAULIC MAGNETIC, 10.0A, 9926251010
43	2	ENTRELEC, THERMOCOUPLE TERMINAL BLOCKS, 115 206.22	12		
44			13	1	IDEC, PILOT LIGHT, TW SERIES, RED, LED, W/TRANS, 120V, APQW1B126D-R
45	14	ENTRELEC, MINI TERMINAL BLOCK, DR 1.5/5, 110 106.25	14	5	IDEC, PILOT LIGHT, TW SERIES, GREEN, LED, W/TRANS, 120V, APQW1B126D-G
46	2	ENTRELEC, MINI TERMINAL BLOCK END SECTION, FED2-4, 399 577.02	15	1	IDEC, PILOT LIGHT, TW SERIES, WHITE, LED, W/TRANS, 120V, APQW1B126D-W
47	0.2 M	ENTRELEC, ASSY. RAIL, PR2, (2m), DIN 3, 15mm, 164 600.12	16		
48	2	ENTRELEC, ASSEMBLED JUMPER BAR, 10 POLE, 205 738.11	17		
49	2	ENTRELEC, END STOP, BADRL, 199 420.21	18	2	IDEC, PILOT LIGHT, TW SERIES, WHITE, LED, FULL VOLTAGE, 24VDC, APQW1B99D-W-24
50	1	ENTRELEC, CIRCUIT SEPARATOR, SCDR61, 173 016.10	19	1	IDEC, PUSHBUTTON, RED, 1NO-1NC, SQUARE, FLUSH, MOMENTARY ACTION, ABQW111-R
51	4	ENTRELEC, STANDARD MARKER CARD, RC410, BLANK, FOR 5mm TB'S, 229 000.15	20	1	IDEC, PUSHBUTTON, GREEN, 1NO-1NC, SQUARE, FLUSH, MOMENTARY ACTION, ABQW111-G
52	0.1 M	ILSCO, COPPER BUS BAR WITH SUPPORTS, N-174	21		
53	1.9 M	PANDUIT OR EQUAL, WIRING DUCT, 1"W, 4"H ft, WITH COVER, GREY	22		
54	0.4 M	PANDUIT OR EQUAL, WIRING DUCT, 2"W, 4"H ft, WITH COVER, GREY	23	1	IDEC, MUSHROOM PUSHBUTTON, MAINTAINED, 1NC, 1NO, AYW411-R
55			24	2	IDEC, LEGEND PLATE, BLANK, NWAQL-0
56	1	KOYO, DL-06 PLC, 20 INPUTS, 7.5K, 2 COMM PORTS, 16 RELAY OUTPUTS, D0-06AR	25		
57	1	KOYO, DL-06 PLC LCD DISPLAY, 2 X 16 CHARACTERS, 7 FUNCTION KEYS, D0-06LCD	26	10	WEIDMULLER, RELAY, SPDT/6A, LED, 120VAC COIL, SCREW CLAMP, DIN MOUNT, 1122810000
58	2	FINDER, MODULAR TIMER, 16A SPDT, 12-240VAC, 80.01.0.24.0.0000	27	4	WEIDMULLER, RELAY, DPDT/8A, LED, 24 VDC COIL, SCREW CLAMP, DIN MOUNT, 8530631001
59	1	RHINO, SWITCHING POWER SUPPLY, 82-264 VAC, 24 VDC, 2.5A, PSB24-060	28	12	WEIDMULLER, CROSS-CONNECTION, 2-POLE, BLACK, 1784270000
60			29	12	WEIDMULLER, CROSS-CONNECTION, 2-POLE, RED, 1784280000
61	1	AUTOMATION DIRECT, SOLO TEMPERATURE CONTROLLER 1/16 DIN, RELAY SPDT, SL-4848-RR	30		
62	2	FINDER, RELAY, DPDT, 10A, 120VAC COIL, WITH LED INDICATOR, 60.12.8.120.00.54			
63	2	FINDER, DIN RAIL SNAP-ON SOCKET FOR 60.12 RELAY, 90.02			

REFERENCE DRAWINGS	
DWG NO.	DESCRIPTION
D-P001617-XXX	BMS CABINET EXTERNAL WIRING
D-P001617-XXX	BMS SCHEMATIC WIRING

NOTES:
 1. WIRE COLOUR CODING IS, BLACK-HOT, WHITE-NEUT, BLUE-24VDC +, WHITE WITH BLUE STRIP- 24VDC RETURN, RED FOR 120V SIGNAL WIRES.
 2. ALL ITEMS ARE SUPPLIED BY NRCAN, SHOP TO SUPPLY WIRING DUCTS ITEMS 53 AND 54, LAMICOID LABEL.

 Natural Resources Canada Ressources naturelles Canada Centre de la technologie de l'énergie de CANMET	 CANMET Engineering Services Group	Itemref	Quantity	Title/Name, designation, material, dimension etc		Article No./Reference			
		Designed by S. BETHUNE	Checked by S. BETHUNE	Approved by - date	Filename P001617-XXX	Date 27 NOV 2015	Scale NONE		
NRCAN-CFF, DCSG				BMS CABINET ASSEMBLY				Edition 0	
								D-P001617-XXX	