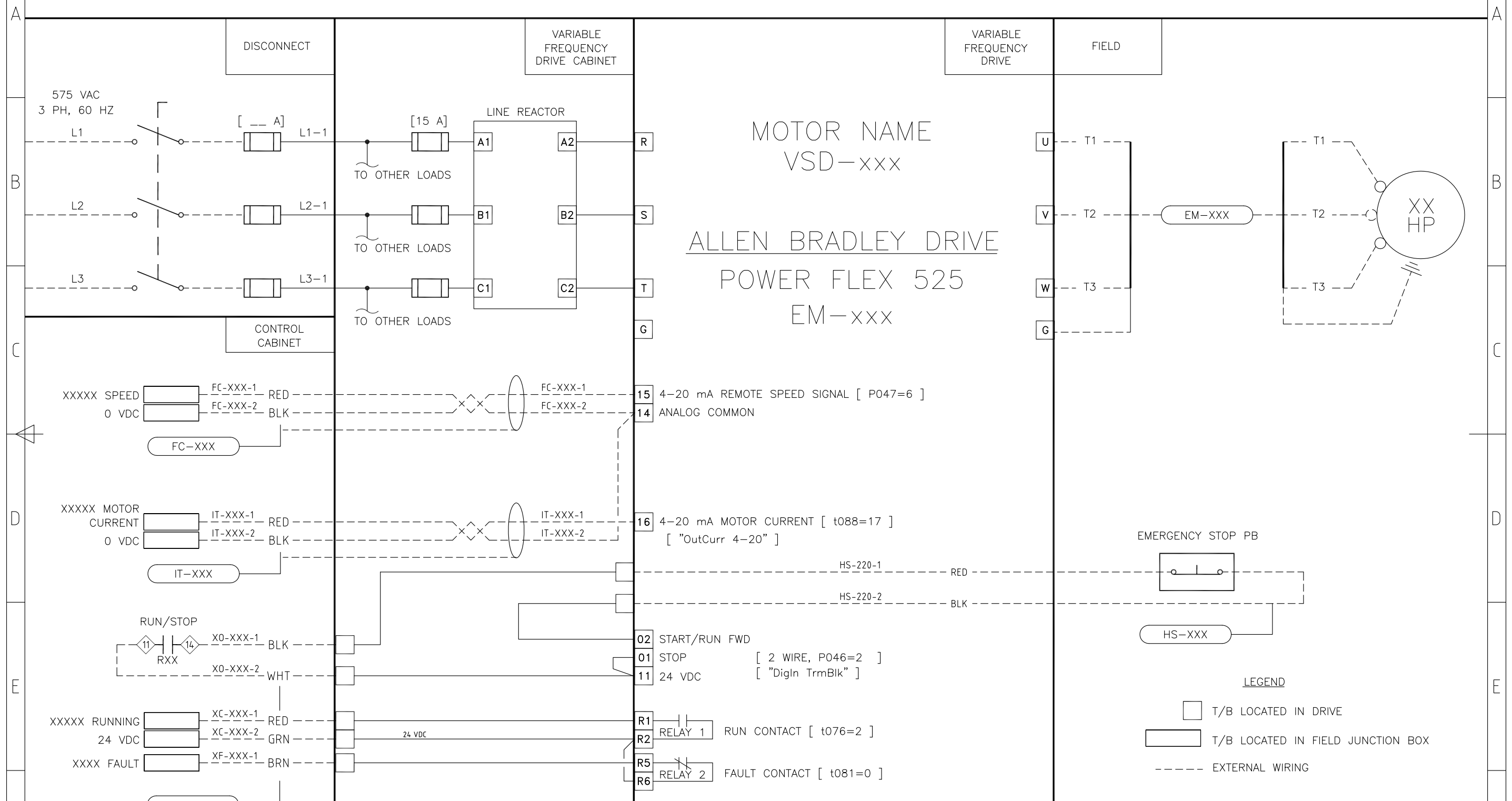
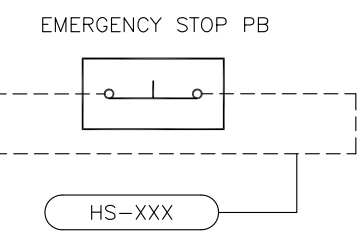


RevNo	Revision note	Date	Signature	Checked
X	XXXXXXXXXXXXXXXXXXXX	XXXXXX	SB	



MOTOR NAME
VSD-xxx

ALLEN BRADLEY DRIVE
POWER FLEX 525
EM-xxx

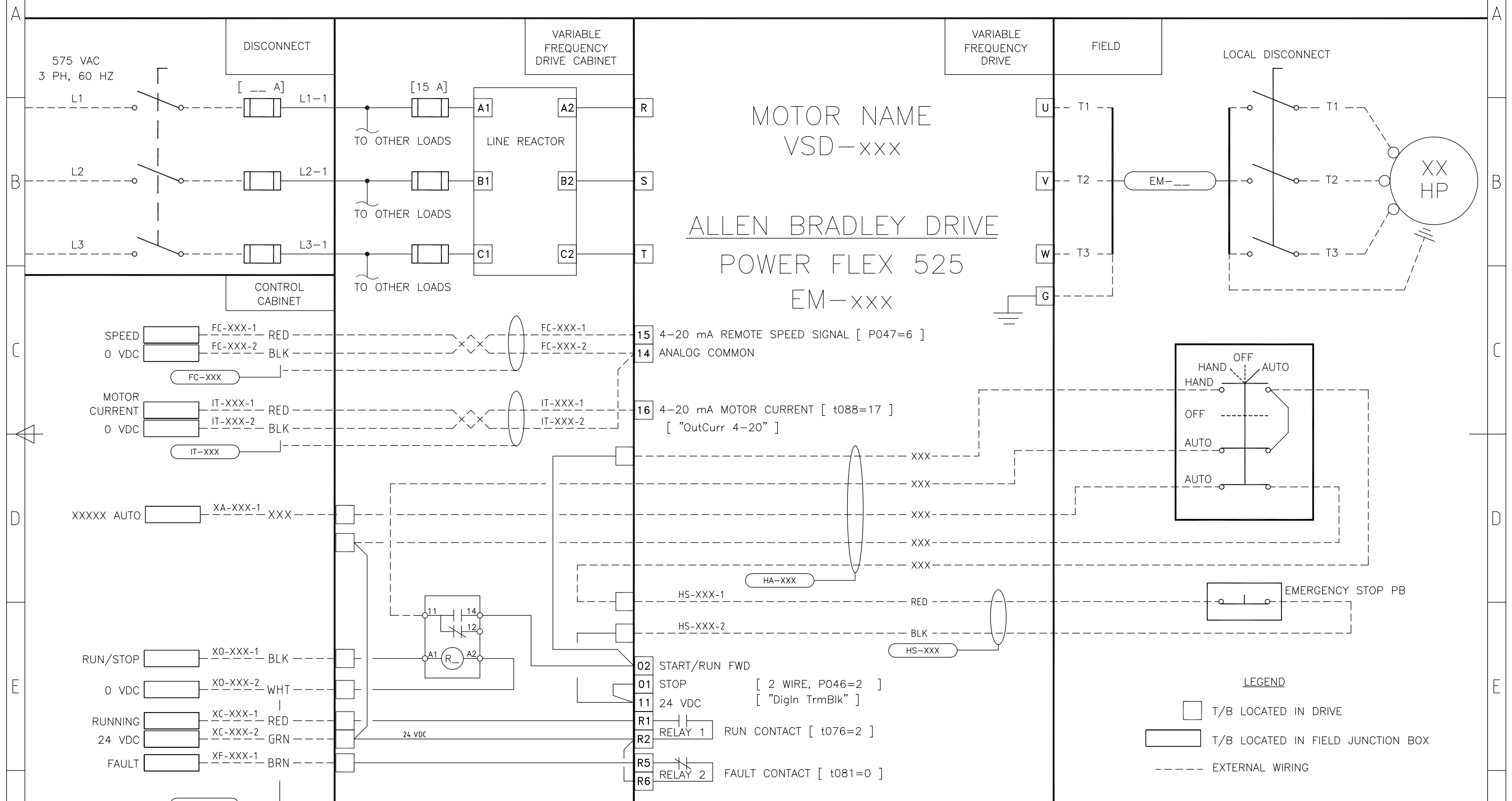


LEGEND

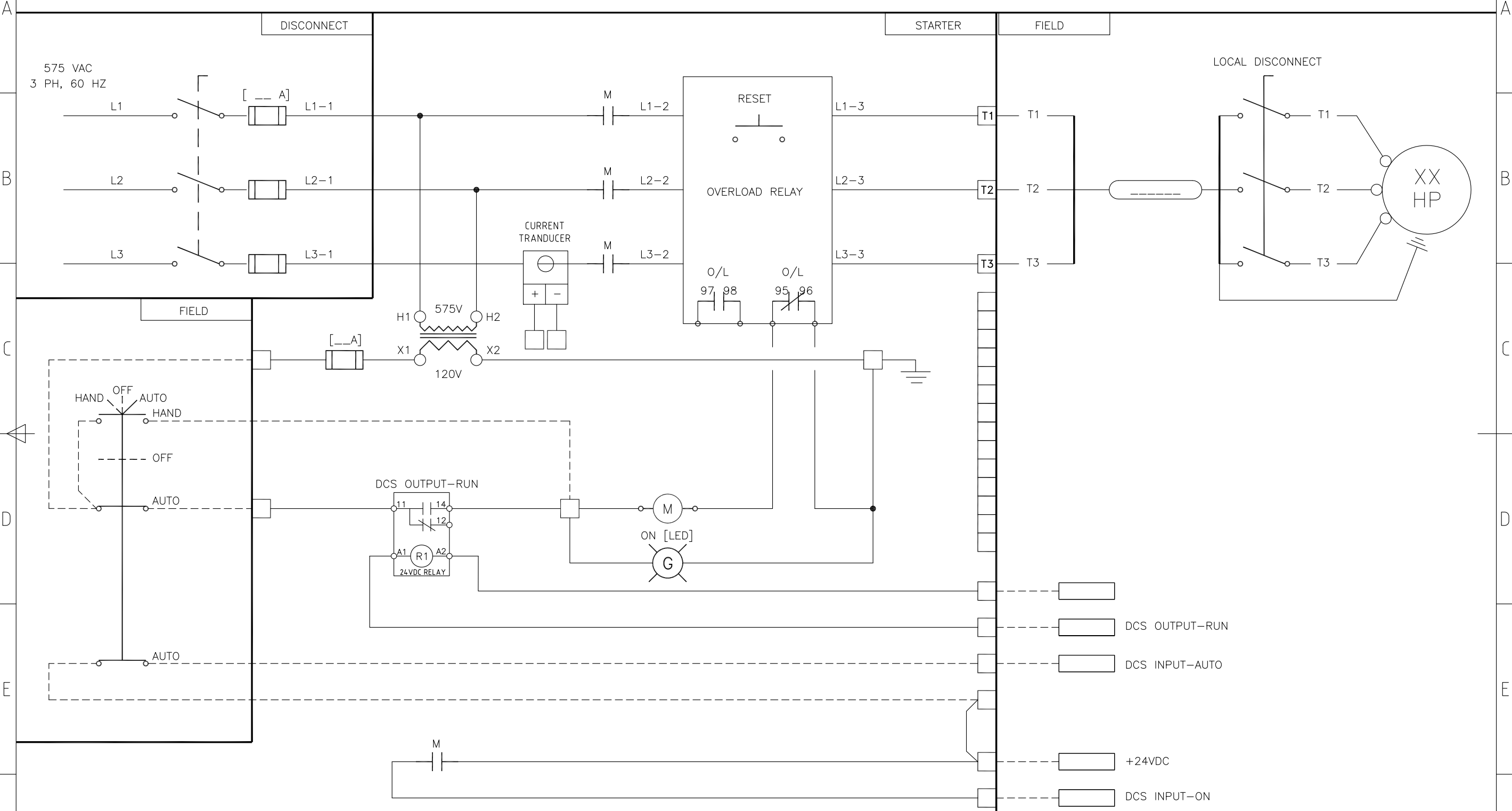
- T/B LOCATED IN DRIVE
- T/B LOCATED IN FIELD JUNCTION BOX
- EXTERNAL WIRING

<p>Natural Resources Canada Ressources naturelles Canada CANMET Energy Technology Center Centre de la technologie de l'énergie de CANMET</p>	<p>EngServ CANMET Engineering Services Group</p>	Itemref	Quantity	Title/Name, designation, material, dimension etc		Article No./Reference		
		Designed by S. Bethune		Checked by S. Bethune	Approved by - date XXX - 00/00/00	Filename XXXXX-XXX	Date 7 MAR 2016	Scale NONE
		XXXXX				TYPICAL AB PF525 VSD WIRING		
						B-XXXXX-XXX	Edition 0	Sheet 1/1

RevNo	Revision note	Date	Signature	Checked
X	XXXXXXXXXXXXXXXXXX	XXXXX	SB	



<p>Natural Resources Canada Ressources naturelles Canada CANMET Energy Technology Center Centre de la technologie de l'énergie de CANMET</p>	<p>EngServ CANMET Engineering Services Group</p>	Itemref	Quantity	Title/Name, designation, material, dimension etc		Article No./Reference		
		Designed by S. Bethune		Checked by S. Bethune	Approved by - date XXX - 00/00/00	Filename XXXXX-XXX	Date 7 MAR 2016	Scale NONE
		XXXXX				AB PF525 VSD WIRING		
						B-XXXXX-XXX	Edition 0	Sheet 1/1



LEGEND

6 T/B LOCATED IN STARTER

100 T/B LOCATED IN CONTROL SYSTEM

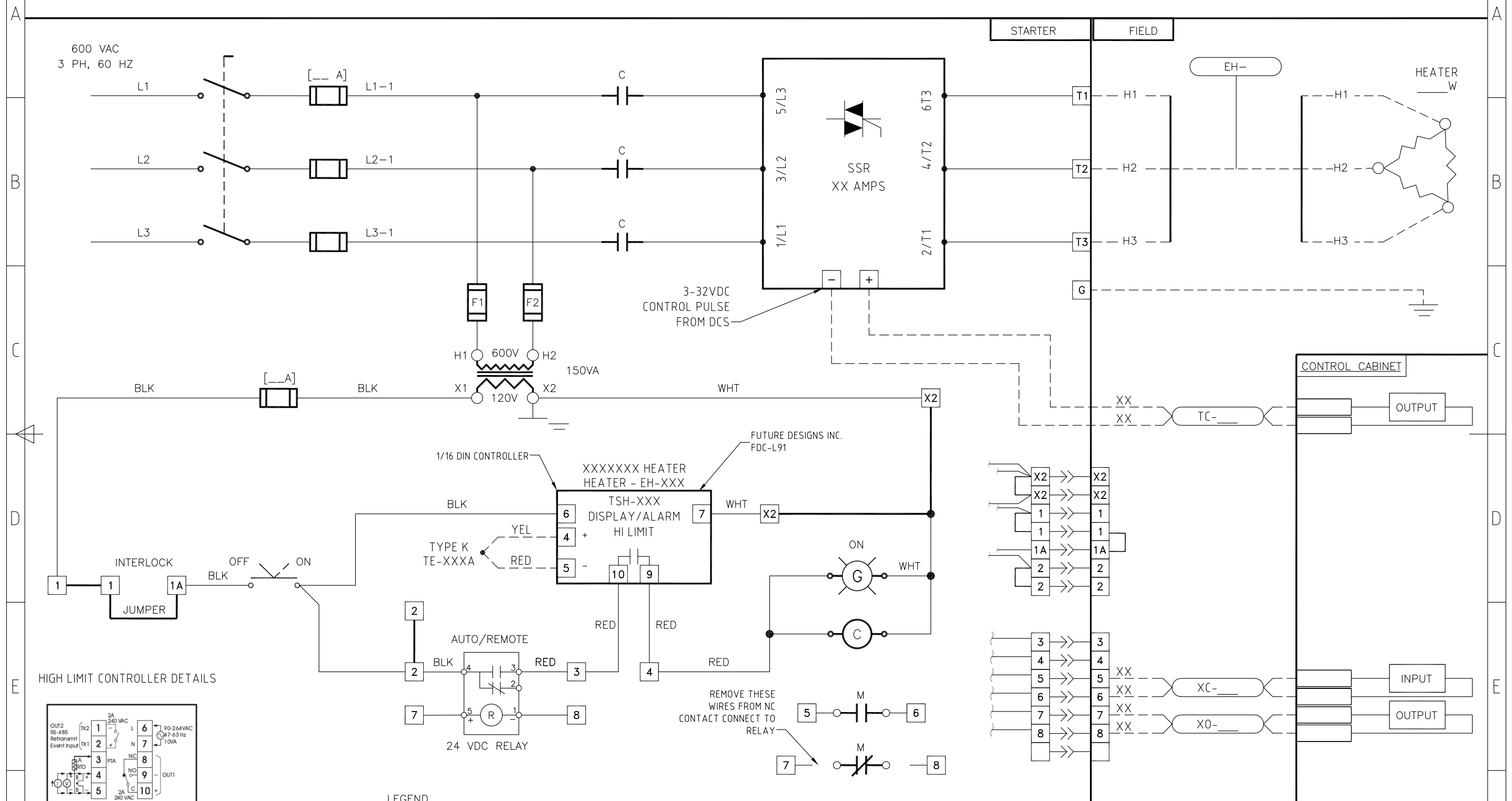
----- EXTERNAL WIRING

———— INTERNAL WIRING

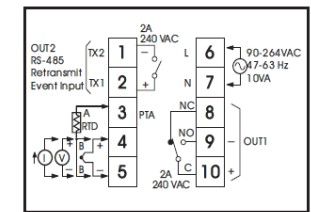
Canada
 Natural Resources Canada
 Ressources naturelles Canada
 Centre de la technologie de l'énergie de CANMET

EngServ
 CANMET Engineering Services Group

Itemref	Quantity	Title/Name, designation, material, dimension etc		Article No./Reference	
Designed by S. Bethune	Checked by S. Bethune	Approved by - date XXX - 00/00/00	Filename XXXXX-XXX	Date XX	Scale NONE
XXXXXX			FVNR-HOA-RUN/STOP-LR-CT		
B-XXXXX-XXX				Edition 0	Sheet 1/1

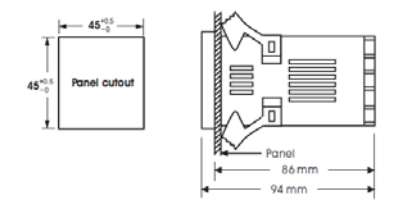


HIGH LIMIT CONTROLLER DETAILS



LEGEND

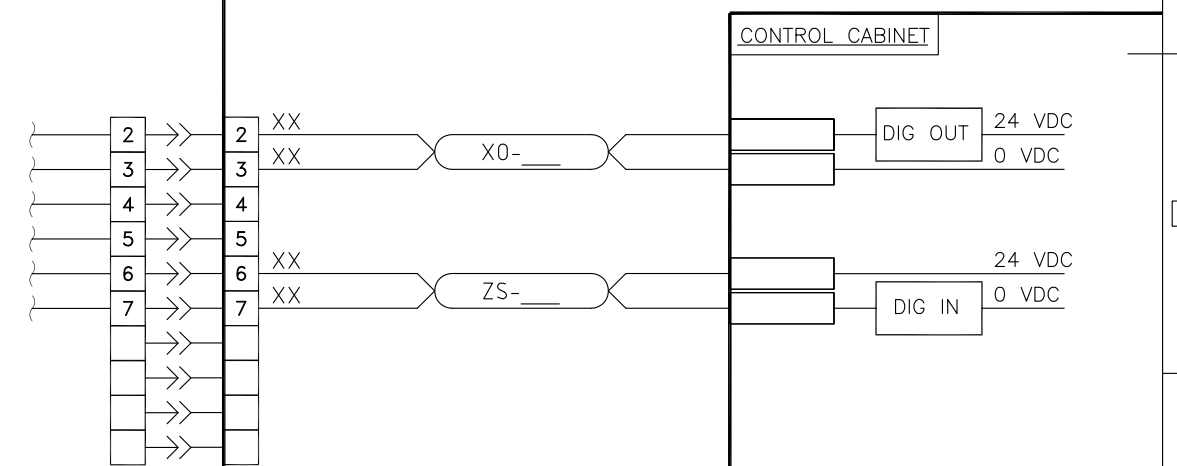
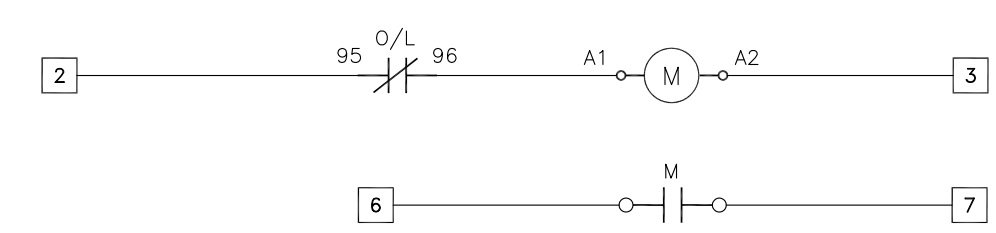
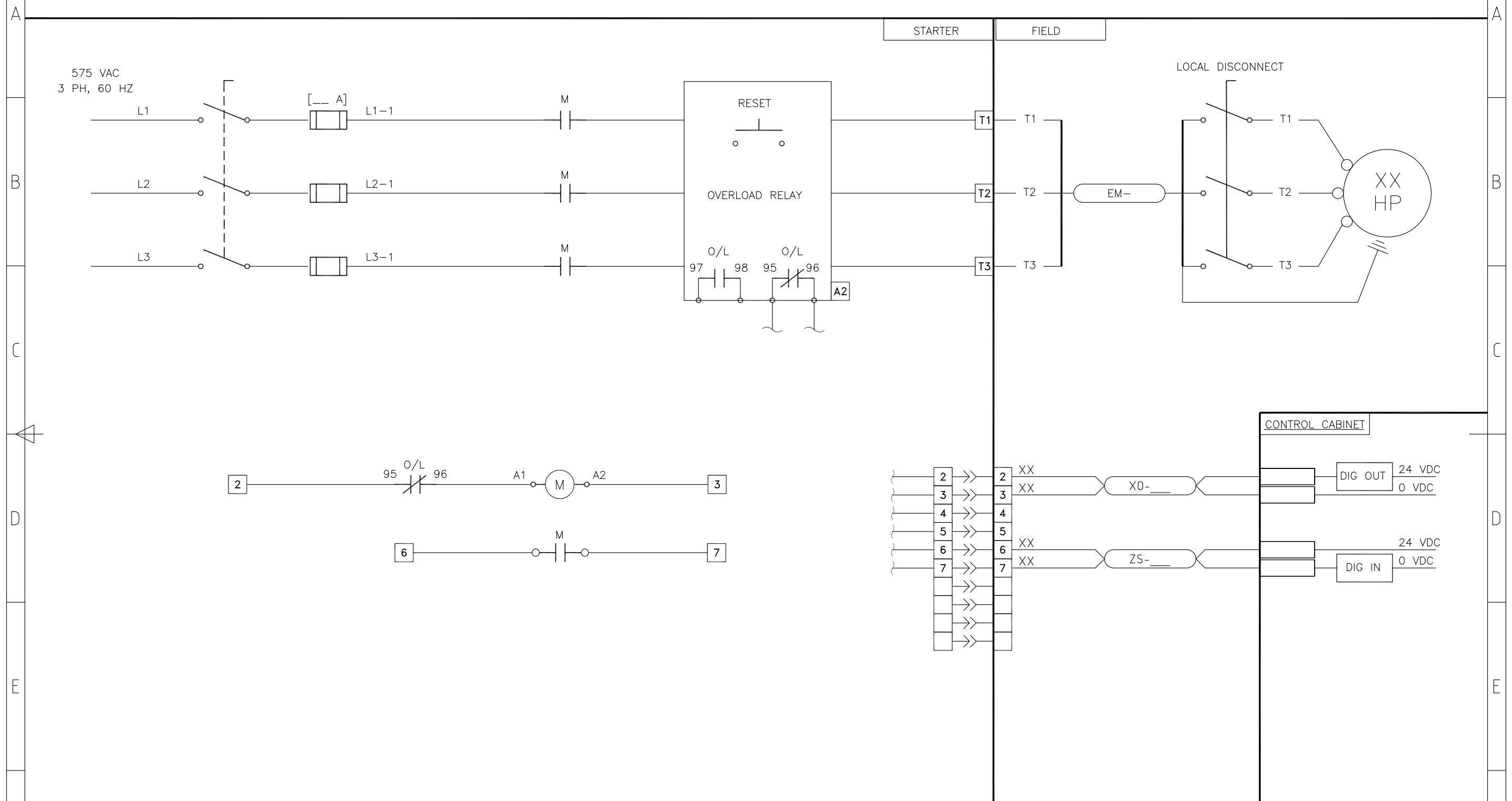
- T/B LOCATED IN STARTER
- T/B LOCATED IN CONTROL CABINET



Canada
Natural Resources Canada
Ressources naturelles Canada
Centre de la technologie de l'énergie de CANMET
CANMET Energy Technology Center

EngServ
CANMET Engineering Services Group

Itemref	Quantity	Title/Name, designation, material, dimension etc			Article No./Reference	
Designed by S. Bethune	Checked by S. Bethune	Approved by - date XXX - 00/00/00	Filename XXXXX-XXX	Date XX	Scale NONE	
XXXXXX			MCC-HTR-SSR-STSP-HL-RMT			
B-XXXXX-XXX				Edition 0	Sheet 1/1	



LEGEND

T/B LOCATED IN STARTER

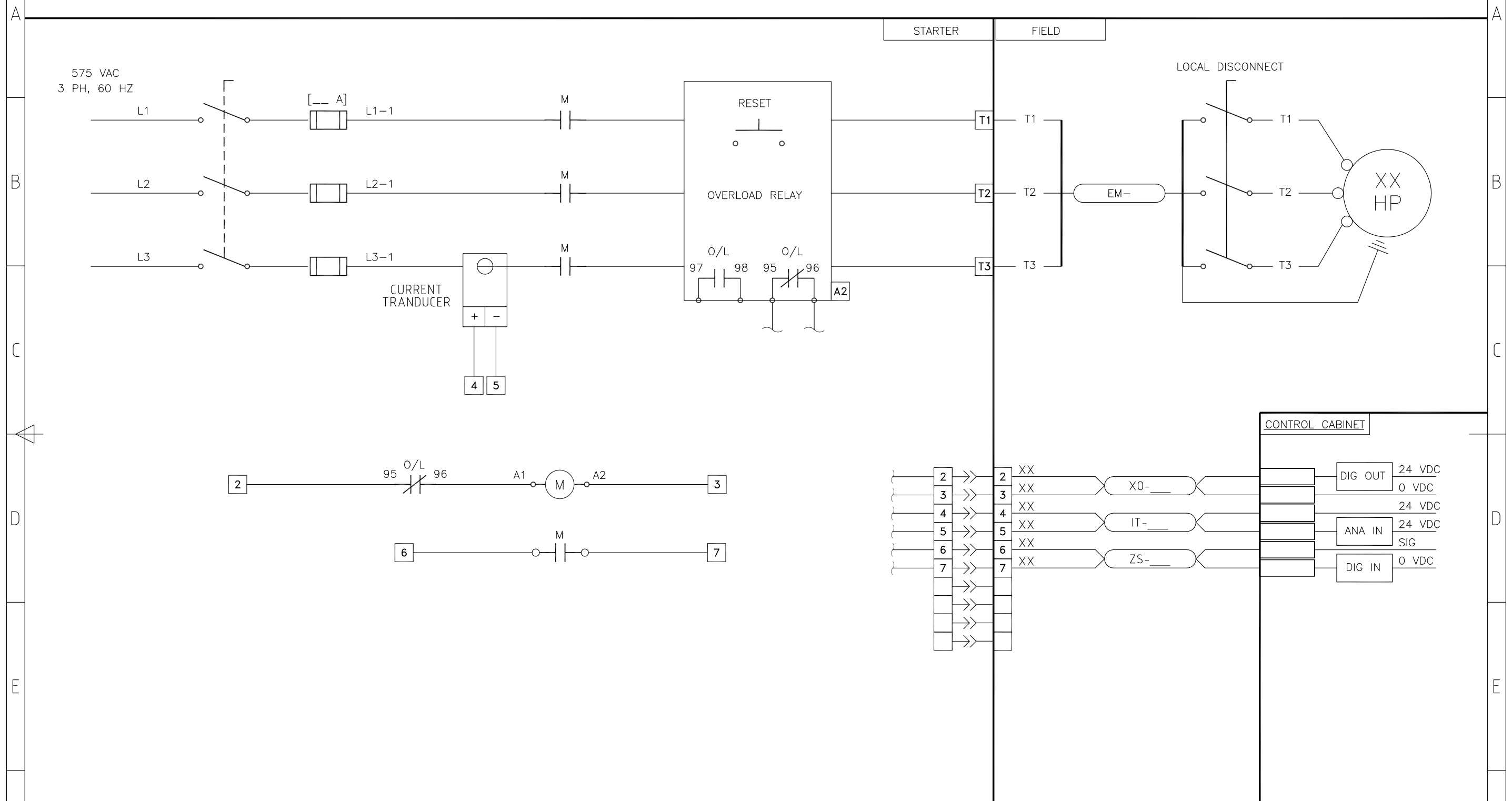
T/B LOCATED IN CONTROL CABINET

<p>Natural Resources Canada CANMET Energy Technology Center</p>	<p>Ressources naturelles Canada Centre de la technologie de l'énergie de CANMET</p>
--	--

EngServ

CANMET Engineering Services Group

Itemref	Quantity	Title/Name, designation, material, dimension etc			Article No./Reference	
Designed by S. Bethune		Checked by S. Bethune	Approved by - date XXX - 00/00/00	Filename XXXXX-XXX	Date 7 MAR 2016	Scale NONE
XXXXXX				MCC - FVNR, RUN/STOP		
					B-XXXXX-XXX	Edition 0 Sheet 1/1



LEGEND

T/B LOCATED IN STARTER

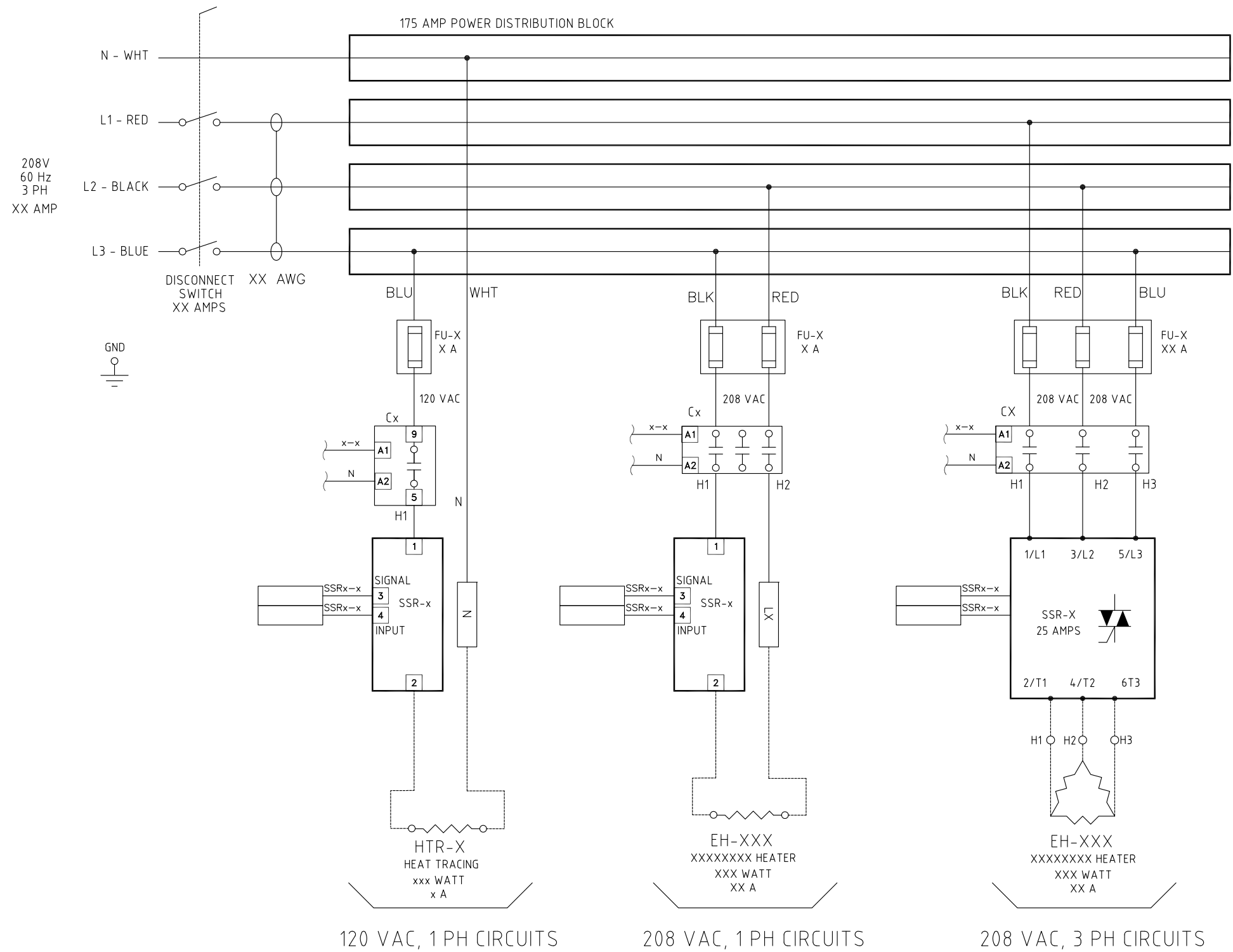
T/B LOCATED IN CONTROL CABINET

<p>Natural Resources Canada CANMET Energy Technology Center</p>	<p>Ressources naturelles Canada Centre de la technologie de l'énergie de CANMET</p>
--	--

EngServ
CANMET Engineering Services Group

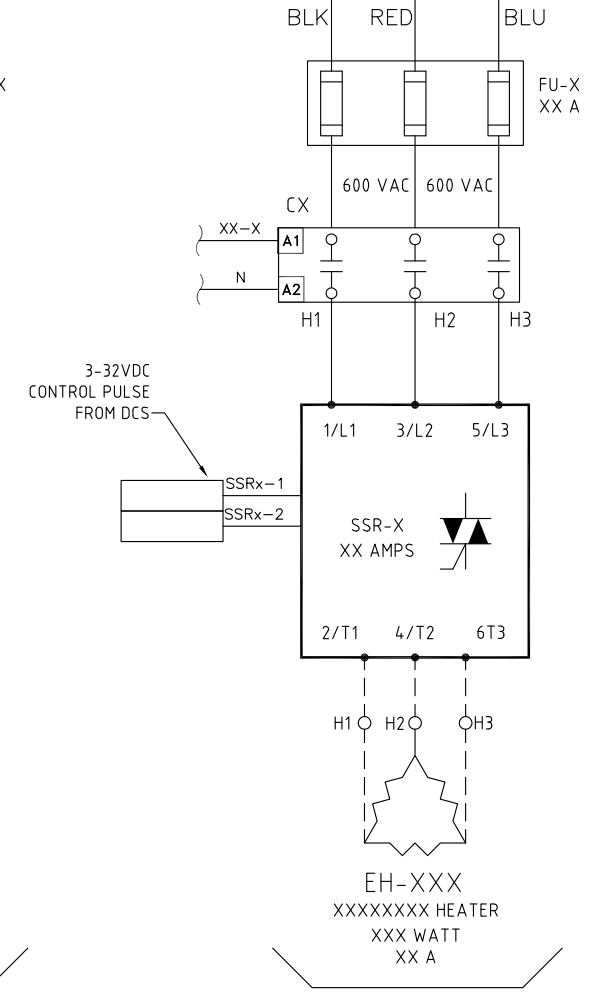
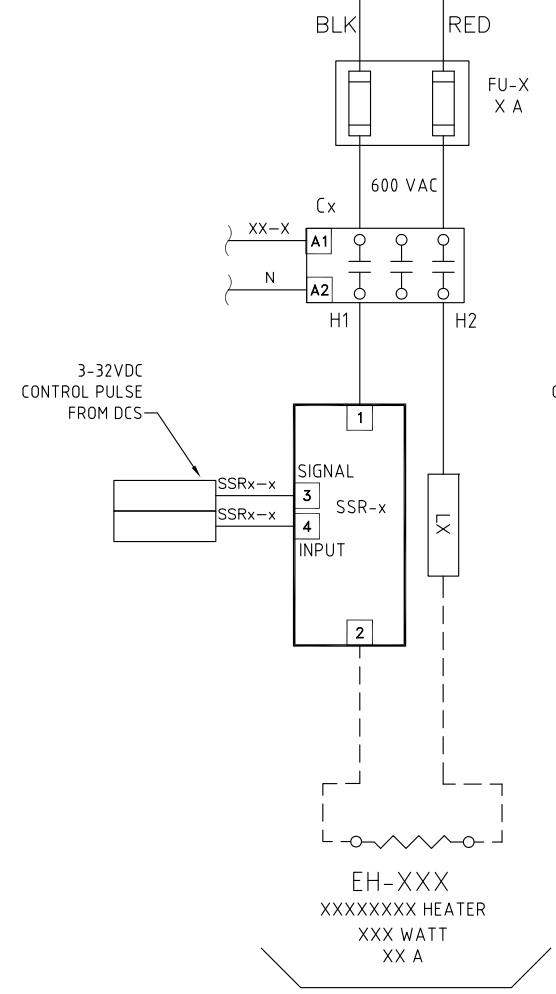
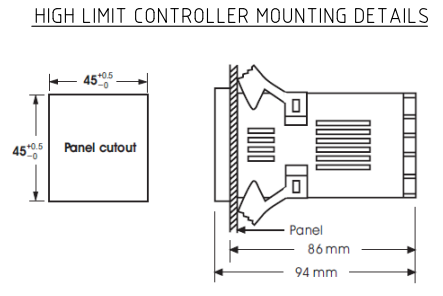
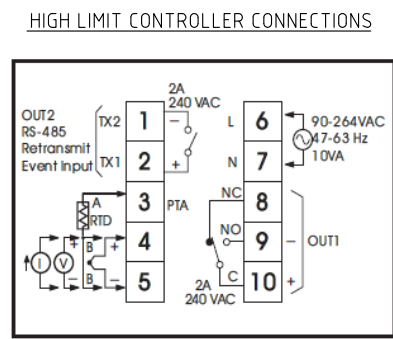
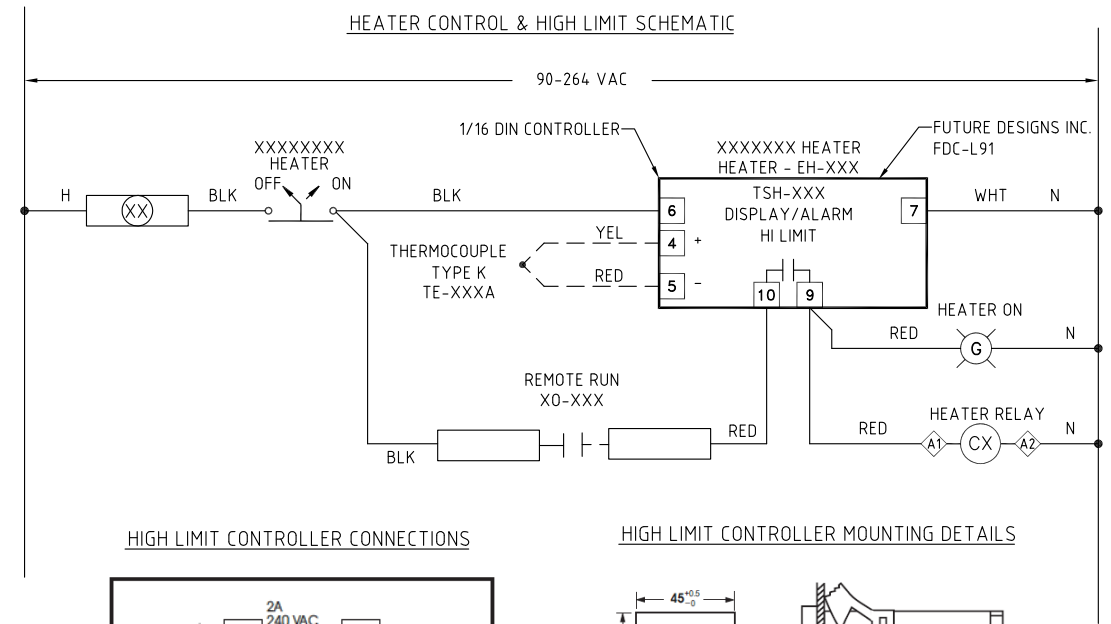
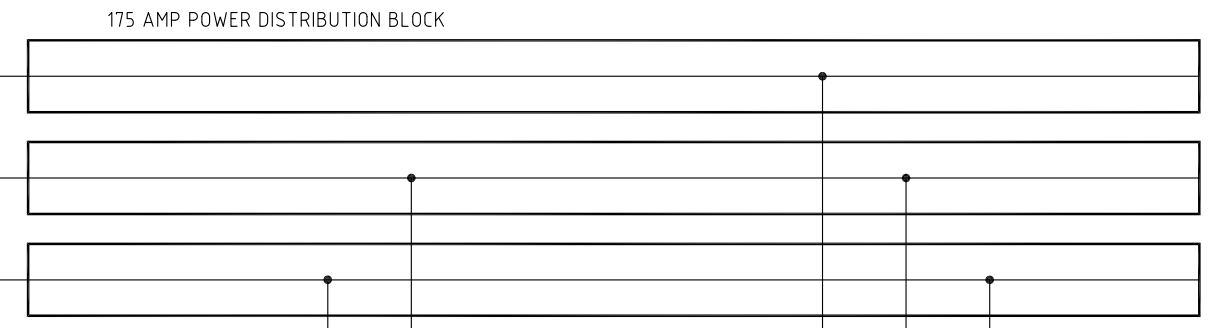
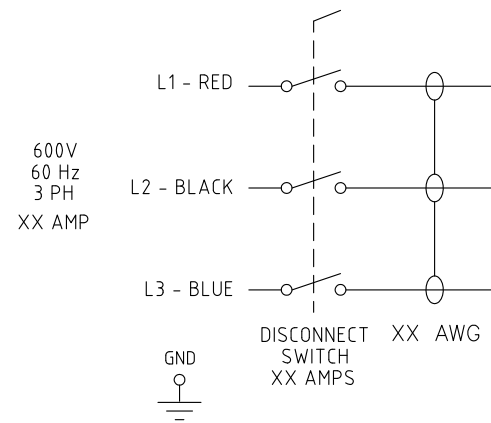
Itemref	Quantity	Title/Name, designation, material, dimension etc	Article No./Reference
Designed by S. Bethune	Checked by S. Bethune	Approved by - date XXX - 00/00/00	Filename XXXXX-XXX
XXXXXX		MCC-FVNR, RUN/STOP-CT	
B-XXXXX-XXX			Edition 0
			Sheet 1/1

RevNo	Revision note	Date	Signature	Checked
X	X	X	SB	



<p>Canada Natural Resources Canada Ressources naturelles Canada CANMET Energy Technology Center Centre de la technologie de l'énergie de CANMET</p>	<p>EngServ CANMET Engineering Services Group</p>	Itemref	Quantity	Title/Name, designation, material, dimension etc		Article No./Reference	
		Designed by S. BETHUNE	Checked by S. BETHUNE	Approved by - date XXX - 00/00/00	Filename XXXXX-XXX	Date 7 MAR 2016	Scale 1:1
		XXXXX				208V TYPICAL HTR CIRCUITS	

RevNo	Revision note	Date	Signature	Checked
X	X	X	SB	



Canada

EngServ

Natural Resources Canada
CANMET Energy Technology Center

Ressources naturelles Canada
Centre de la technologie de l'énergie de CANMET

CANMET Engineering Services Group

Itemref	Quantity	Title/Name, designation, material, dimension etc			Article No./Reference	
Designed by S. BETHUNE	Checked by S. BETHUNE	Approved by - date XXX - 00/00/00	Filename XXXXX-XXX	Date 7 MAR 2016	Scale 1:1	
XXXXXX				600V TYPICAL HTR CIRCUITS		
				B-XXXXX-XXX	Edition 0	Sheet 1/1