

CHICAGO Series Cast Aluminum Lighted Bollard

TYPE:Y
BLCA BCH12DTL AB3/7 35S
MED GWS TB1 ANBK

SPECIFICATIONS

DESCRIPTION The bollard shall be cast aluminum construction with a 12-flute shaft and a classic tapered base. The bollard shall be provided with an optical assembly mounted inside the shaft providing a I.E.S. Type V distribution with a cast aluminum ball or dome top.

MATERIALS The bollard and top shall be heavy-wall, copper free, cast aluminum produced from certified ASTM 356.1 Ingot per ASTM B179-95a or ASTM B26-95. The castings shall be formed true to the pattern with complete detail. The lens shall be translucent glass. All exposed hardware shall be tamper resistant stainless steel. Anchor bolts to be completely hot-dip galvanized.

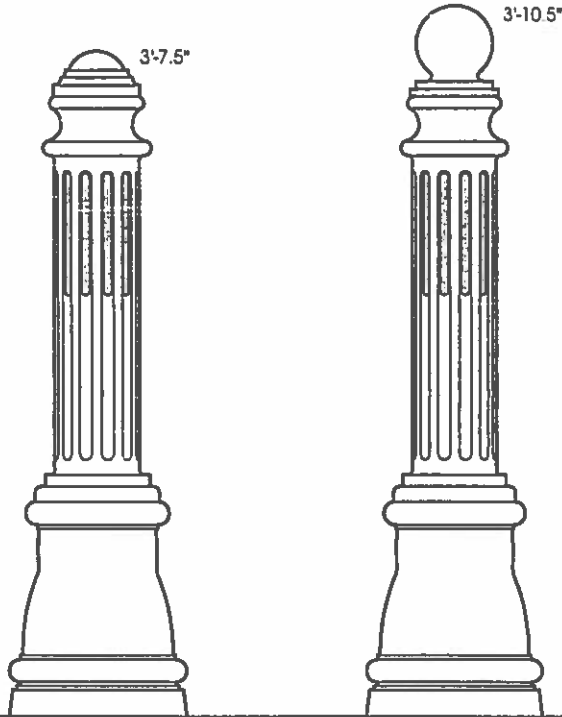
CONSTRUCTION The bollard shall be made from a one-piece casting with a removable top. The optical assembly shall be secured inside the shaft. All exposed welds shall be ground smooth. All welding shall be per ANSI/AWS D1.2-90. All welders shall be certified per Section 5 of ANSI/AWS D1.2-90.

DIMENSIONS The bollard shall be 3'-7.5" or 3'-10.5" in height with a 11.5" diameter base, a 5.5" diameter shaft, and a 5" diameter ball or 5.5" diameter dome top.

INSTALLATION The bollard shall be provided with four L-type anchor bolts to be installed on an 7" bolt circle. A door shall be provided in the base for access to anchor bolts and wiring. The bollard top shall be removable for optical assembly access.

LIGHT SOURCE The lighted bollards shall be furnished with an H.I.D. ballast and socket assembly. Sockets shall be glazed porcelain medium base, with a copper alloy nickel plated screw shell and center contact. The ballast shall be a core and coil, high power factor, regulating type.

For finish specifications and color options, see "Finish" section in catalog.



BCH12DTL

BLCA BCH12BTL

ORDERING INFORMATION

Choose the boldface catalog nomenclature that best suits your needs and write it on the appropriate line.

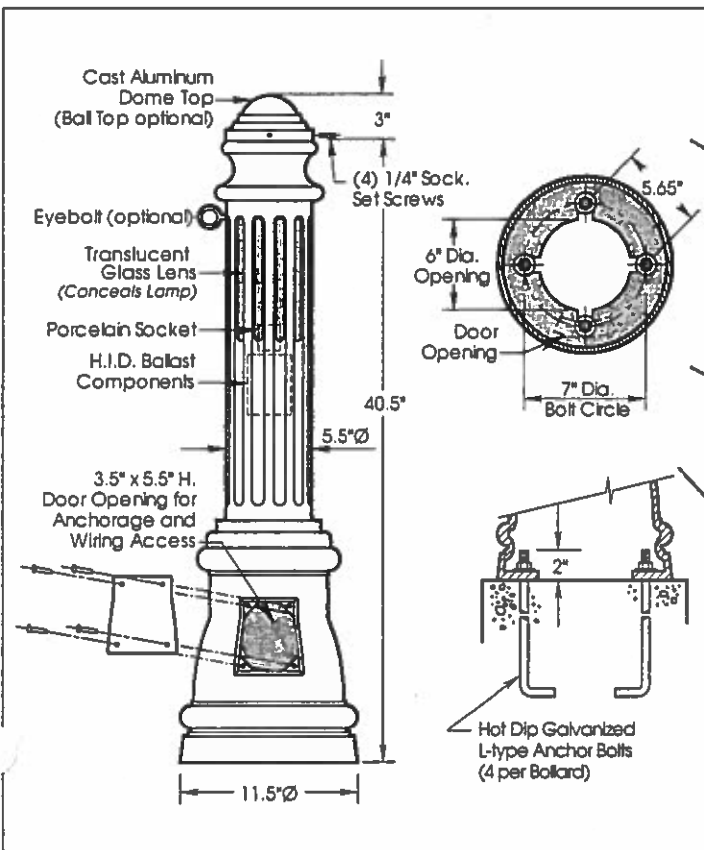
Example: **BLCA BCH12BTL 70M MED AWS GR5 120 PEB1 ANBK**

Series	Voltage
BLCA BCH12DTL Bollard with Dome Top	120 208 240 277 347 480 TB ²
BLCA BCH12BTL Bollard with Ball Top	
Wattage/Lamp¹	Options
50M MED H.I.D. ballast & socket 50 watt Metal Halide	EBB³ One eyebolt
70M MED 70 watt Metal Halide	2EBB³ 2 eyebolts
35S MED 35 watt High Pressure Sodium	PEB1 Photocell button 120v
50S MED 50 watt High Pressure Sodium	PEB2 Photocell button 208/240/277v
70S MED 70 watt High Pressure Sodium	FG-B GFCI Receptacle inside base
42TRT 42 watt compact fluorescent	
Lens Type	Finish¹
GWS Glass, White Smooth (std.)	ANBK Black
	ANDB Dark Bronze
	ANDG Dark Green
	ANVG Verde Green
	ANPP Prime Painted
	CM Custom Match
	CS Custom Select: RAL colors

NOTES:
 1. For finish and color options, see Finish section in catalog.
 2. Multi-top Ballast (120, 208, 240, 277v). For wattages under 70S, 70M or 100H contact ASL for availability.
 3. For information on specifying correct orientation, see Orientation Guide in the back of the Accessories section in the catalog.
 4. For other wattage choices consult factory.

ANTIQUE Street Lamps™

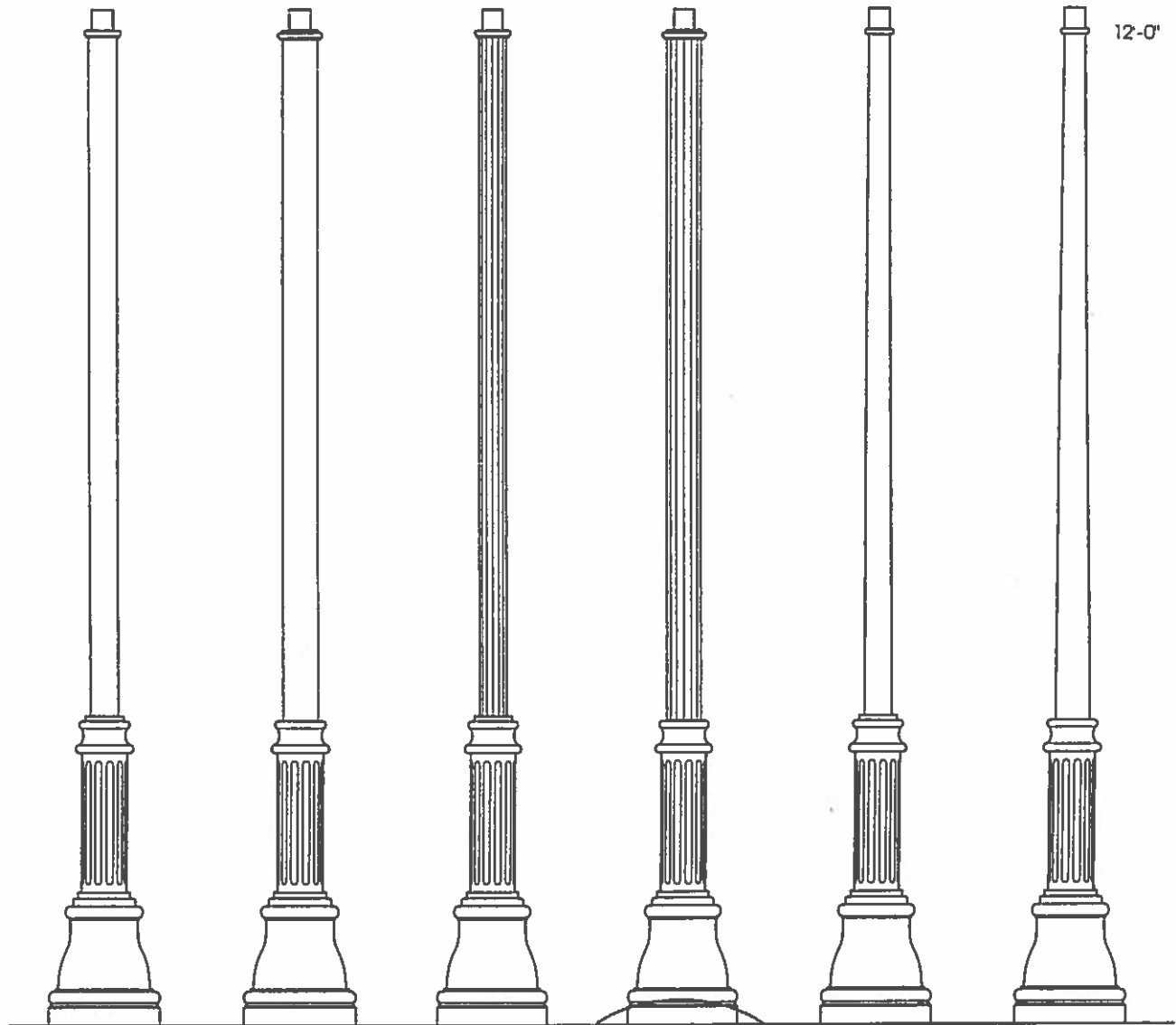
2011-B W. Rundberg Ln. • Austin, TX 78758 • ph(800)410-8899 • fax(512)977-9622



**Cast Aluminum Posts
extruded shafts**

TYPE: ZP
PX CH16 14 F5 AB3/12 3T3
ANBK

**CHICAGO Series
16" dia. base**



PX CH16 12 S4 finish
4" dia. smooth shaft
8', 10', 12', 14'

PX CH16 12 S5 finish
5" dia. smooth shaft
10', 12', 14', 16'

PX CH16 12 F4 finish
4" dia. fluted shaft
8', 10', 12', 14'

PX CH16 12 F5 finish
5" dia. fluted shaft
10', 12', 14', 16'

PX CH16 12 T4 finish
4"-3" dia. tapered shaft
8', 10', 12', 14'

PX CH16 12 T5 finish
5"-3" dia. tapered shaft
10', 12', 14', 16'

SPECIFICATIONS

DESCRIPTION The lighting post shall be all aluminum, one-piece construction, with a classic fluted base design. The shaft shall be _____ (insert shaft options from back page) The post shall be Antique Street Lamps' catalog number PX CH16 XX XX finish.

MATERIALS The base shall be heavy wall, copper free, cast aluminum produced from certified ASTM 356.1 ingot per ASTM B-179-95a or ASTM B26-95. The straight shafts shall be extruded from aluminum, ASTM 6061 alloy, heat treated to a T6 temper. The tapered shaft shall be extruded from aluminum, ASTM 6063 alloy, spun to a tapered shape, then heat treated to a T6 temper. All hardware shall be tamper resistant stainless steel. Anchor bolts to be completely hot-dip galvanized.

CONSTRUCTION The shaft shall be double welded to the base casting and shipped as one piece for maximum structural integrity. The shaft shall be circumferentially welded inside the base casting at the top of the access door, and externally where the shaft exits the base. All exposed welds below 8' shall be ground smooth. All welding shall be per ANSI/AWS

D1.2-90. All welders shall be certified per Section 5 of ANSI/AWS D1.2-90.

DIMENSIONS The post shall be X' - XX" in height with an 16" diameter base. The shaft diameter shall be XX". (see back page) At the top of the post, an integral 3" O.D. x 3" tenon with a transitional donut shall be provided for luminaire mounting.

INSTALLATION The post shall be provided with four, hot-dip galvanized L-type anchor bolts to be installed on an 10" - 12" diameter bolt circle. A door shall be provided in the base for anchorage and wiring access. A grounding screw shall be provided inside the base opposite the door.

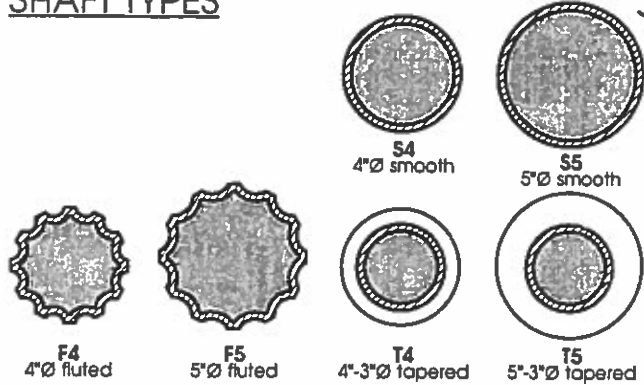
For finish specifications and color options, see "Finish" section in catalog.

ANTIQUE Street Lamps

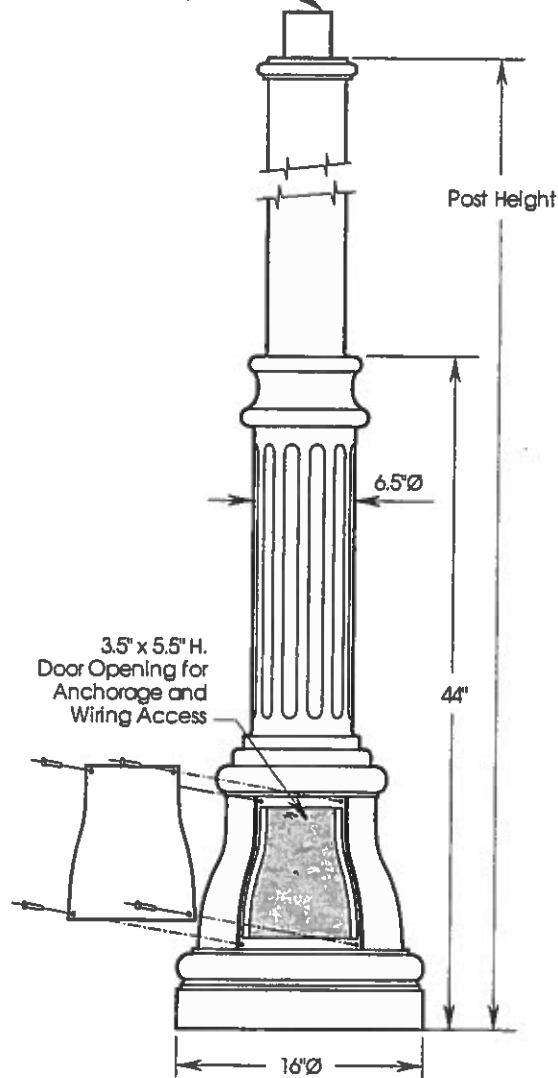
2011-B W. Rundberg Ln. • Austin, TX 78758 • ph(512) 977-8444 • fax(512) 977-9622

CHICAGO Series Cast Aluminum Posts

SHAFT TYPES



3" O.D. x 3" High Tenon



ANTIQUE Street Lamps

2011-B W Rundberg Ln. • Austin, TX 78758 • ph(512) 977-8444 • fax(512) 977-9622

ORDERING INFORMATION

Choose the **boldface** catalog nomenclature that best suits your needs and write it on the appropriate line.

Example: **PX CH16 12 S5 ANBK** Options

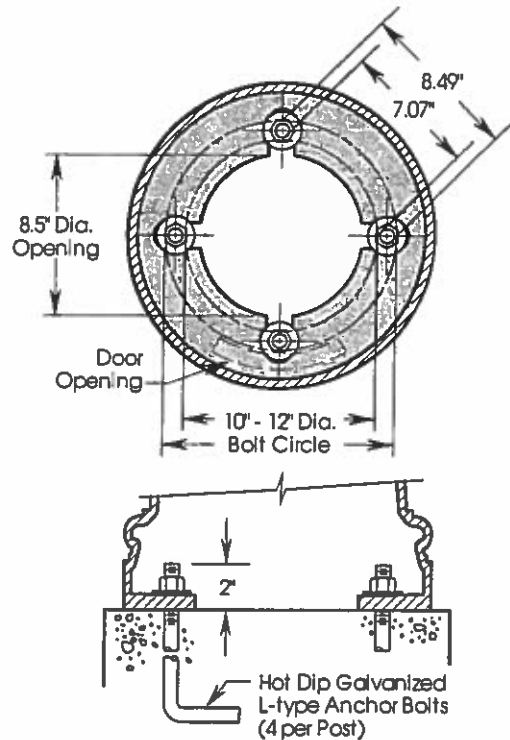
Post Series	Height	Finish ¹
PX CH16	8	ANBK Black
Post, Cast Aluminum Extruded Shaft	10	ANDB Dark Bronze
	12	ANDG Dark Green
	14	ANVG Verde Green
CHICAGO	16'	ANPP Prime Painted
16" base		CM Custom Match
		CS Custom Select
		RAL colors

Shaft Type	Options
S4 Smooth 4"Ø	Receptacles
S5 Smooth 5"Ø	Banner Arms
F4 Fluted 4"Ø	Flagpole Holders
F5 Fluted 5"Ø	Custom Logos
T4 Tapered 4"-3"Ø	Signage
T5 Tapered 5"-3"Ø	(see Signage & Accessories section in the catalog or contact Antique Street Lamps)

NOTES:

- For finish specifications and color options, see Finish section in catalog or contact Antique Street Lamps.
- 16' height not available for S4, F4, or T4 (any 4"Ø) Shaft Type.

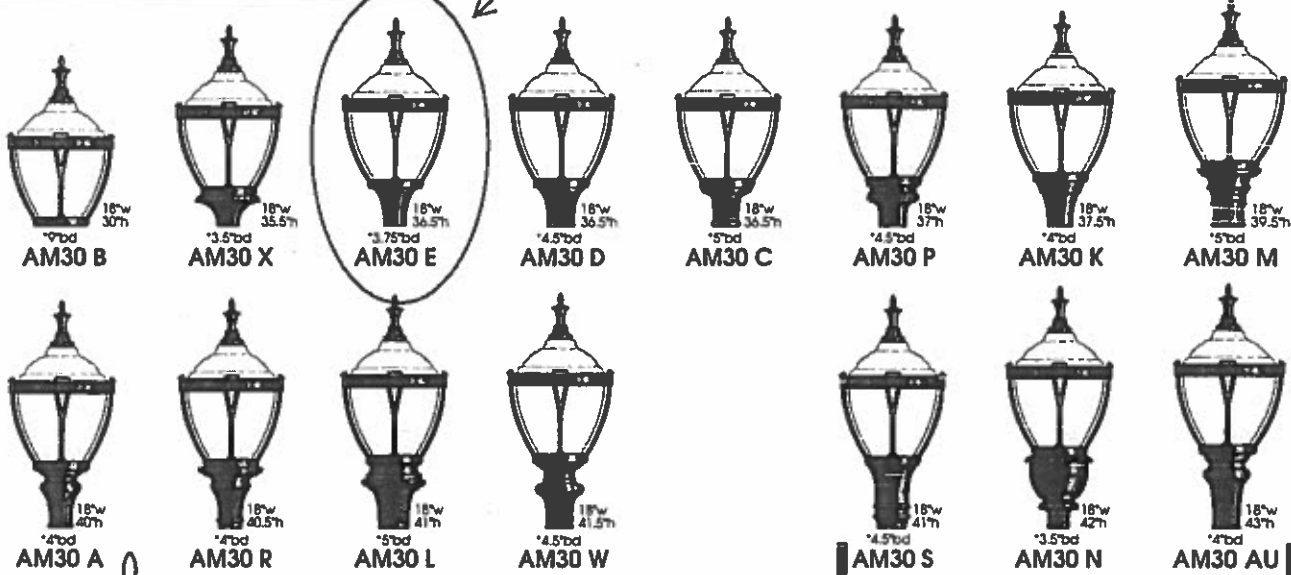
ANCHORAGE GUIDE



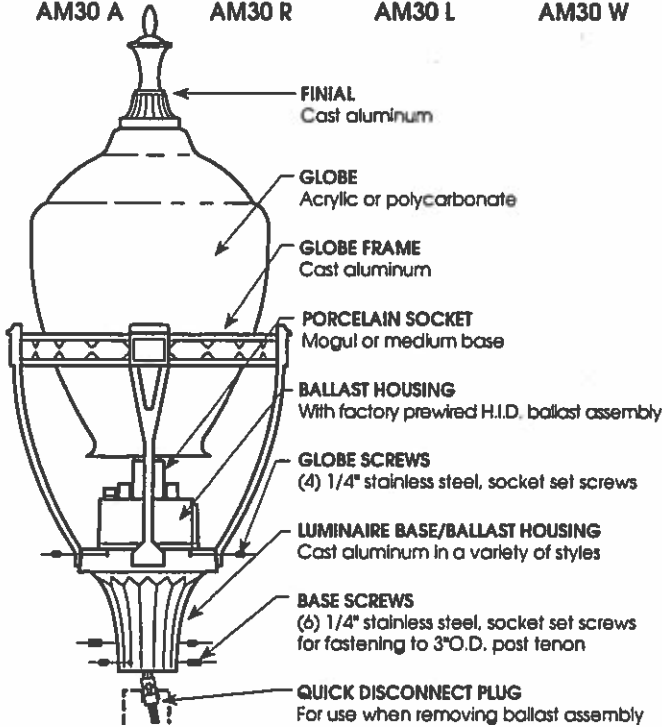
AM30 Luminaire

AM30 WITH LUMINAIRE BASE CHOICE

* bd dimensions are the diameter of the base



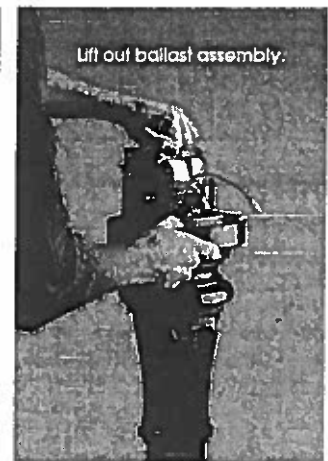
Twist & Lock photoelectric cell options available with luminaire bases S, N and AU only.



TOOL-LESS BALLAST HOUSING



LUMINAIRE BASE WITH BALLAST HOUSING AND SOCKET



REMOVING BALLAST ASSEMBLY

Note: Lamp is not furnished with the luminaire. Globe frame not shown in photos for clarity.

ORDERING GUIDE

Sample Catalog no: AM30 E 150M MED ACT GR5 TB1 PEB1 ANBK

Series	Wattage/Lamp	Lens Material	Distribution	Voltage ¹	Options	Finish ²
AM30 B ¹	Metal Halide	ACT Acrylic, Clear Textured	(blank) Type V	TB1 120 volt	HS House Side Shield	ANBK Black
AM30 X	50M MED	PCT Polycarbonate, Clear Textured	GR5 Glass refractor, Type V	TB2 208 volt	PEB1 Photoelectric cell button 120v	ANDB Dark Bronze
AM30 E	70M MED	PWT Polycarbonate, White Textured	GR3 Glass refractor, Type III	TB3 240 volt	PEB2 Photoelectric cell button 208, 240, 277v	ANDG Dark Green
AM30 D	100M MED		LBR5 Low Bright, Refl., Type V	TB4 277 volt	PER ³ Twist-Lock Photocontrol Receptacle	ANPP Prime Painted
AM30 C	150M MED			347 347 volt	PE1 ³ NEMA Twist & Lock PE 120, 208, 240v	CM Custom Match
AM30 P	175M MED			480 ⁴ 480 volt	PE3 ³ NEMA Twist & Lock PE 347v	CS Custom Select RAL colors
AM30 K	250M MOG ⁵				PE4 ³ NEMA Twist & Lock PE 480v	
AM30 M	High Pressure Sodium				PE7 ³ NEMA Twist & Lock PE 277v	
AM30 A	50S MED				SF Single Fuse	
AM30 R	70S MED				DF Double Fuse	
AM30 L	100S MED					
AM30 W	150S MED					
AM30 S	250S MOG ⁵					
AM30 N	Compact Fluorescent					
AM30 AU ¹	42TRT					

ANTIQUE Street Lamps

An Quality Brands Company

NOTES:
 1. Multi-tap Ballast (120, 208, 240, 277v), (120, 277, 347v in Canada).
 For wattages under 70S or 70M contact ASL for voltage availability.
 2. For finish and color options, see Finish section in catalog or contact ASL.
 3. Twist & Lock Photo Control only available with N, S, and AU bases.
 4. 250M & 250S not available with luminaire bases X, E, K, D, P and C.
 5. Consult factory for wattages for B Series Luminaire Base.