

Public Works and
Government Services
Canada

Travaux publics et
Services gouvernementaux
Canada

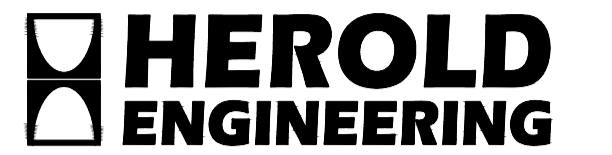
REAL PROPERTY SERVICES
Pacific Region

SERVICES IMMOBILIERS

Région de Pacifique

QUATSINO, WHARF RESTORATION
TRANSPORT CANADA HARBOURS AND PORTS

Project No. R.077008.001



5		
4		
3	ISSUED FOR TENDER	20160708
2	ISSUED FOR 90% REVIEW	20160525
1	ISSUED FOR 90% REVIEW	20160408
0	ISSUED FOR 50% REVIEW	20160328

Revision/	Description/Description	Date/Date
-----------	-------------------------	-----------

Client/client
**TRANSPORT CANADA
HARBOURS AND PORTS**

800 BARRARD ST
VANCOUVER, B.C.

Project title/Titre du projet

**QUATSINO, B.C.
WHARF RESTORATION**

Consultant Signature Only

Designed by/Concept par
CDW

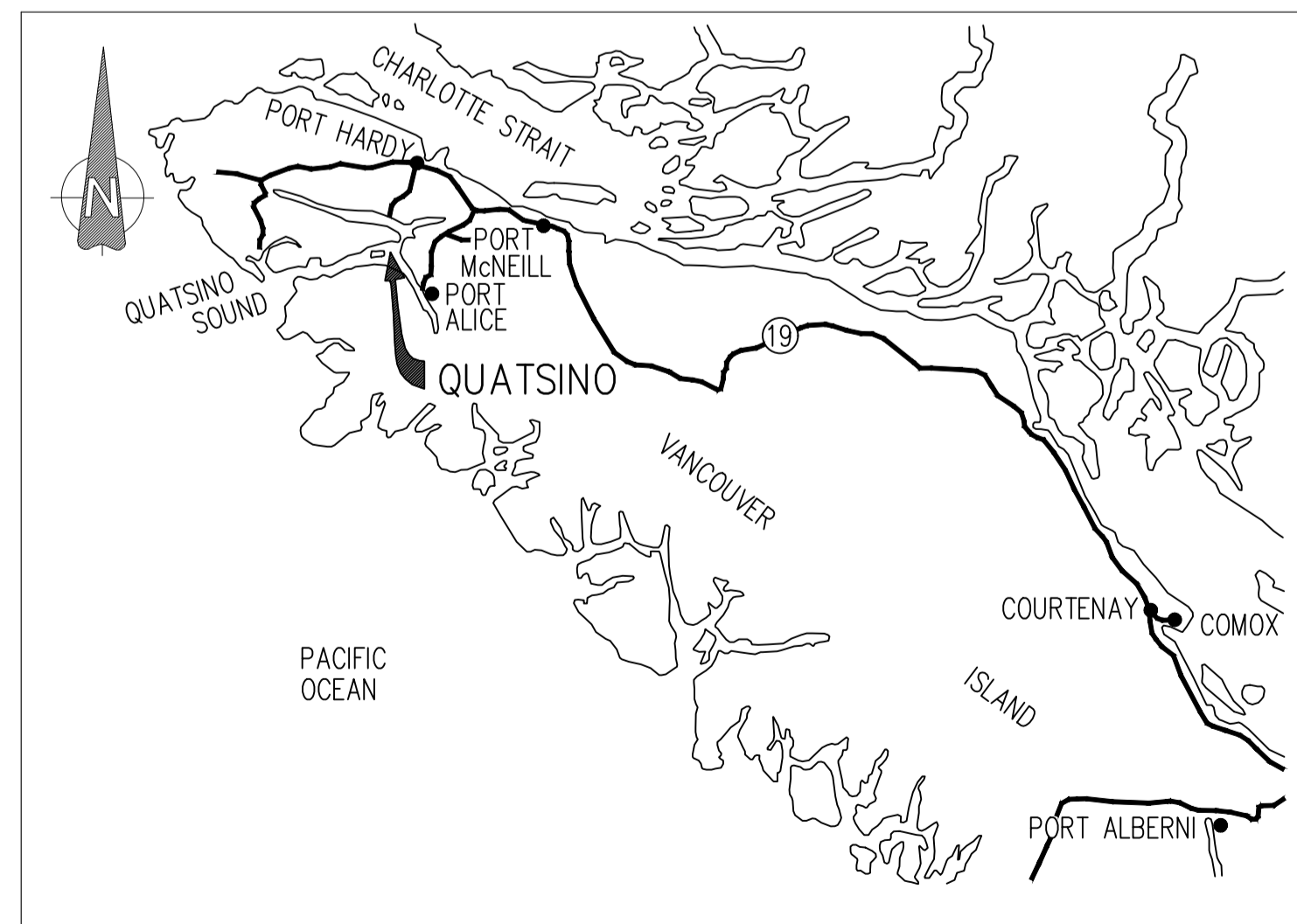
Drawn by/Dessiné par
PHU MAR 2016

PWGC Project Manager/Administrateur de Projets TPSGC
JIMMY WONG

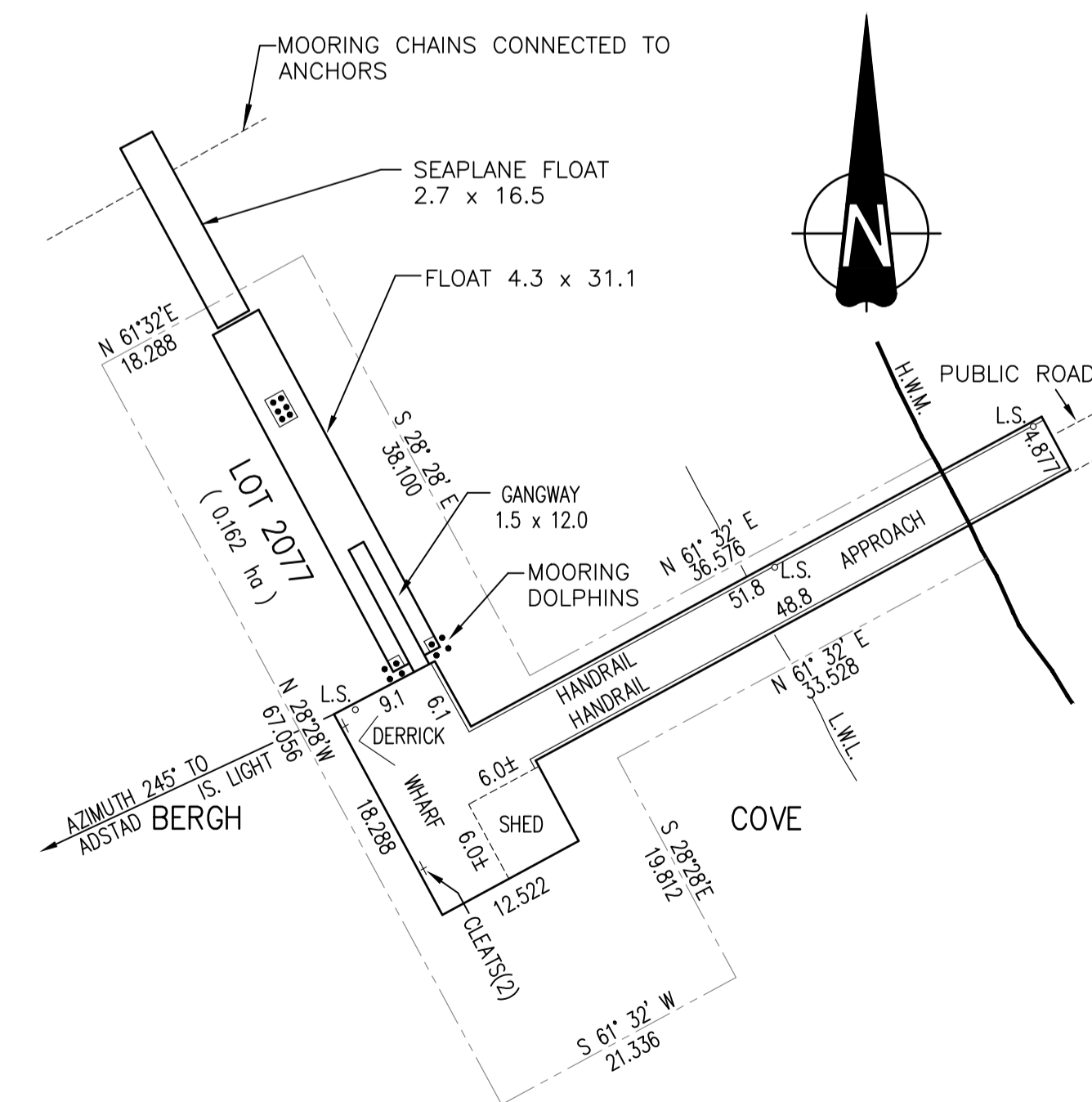
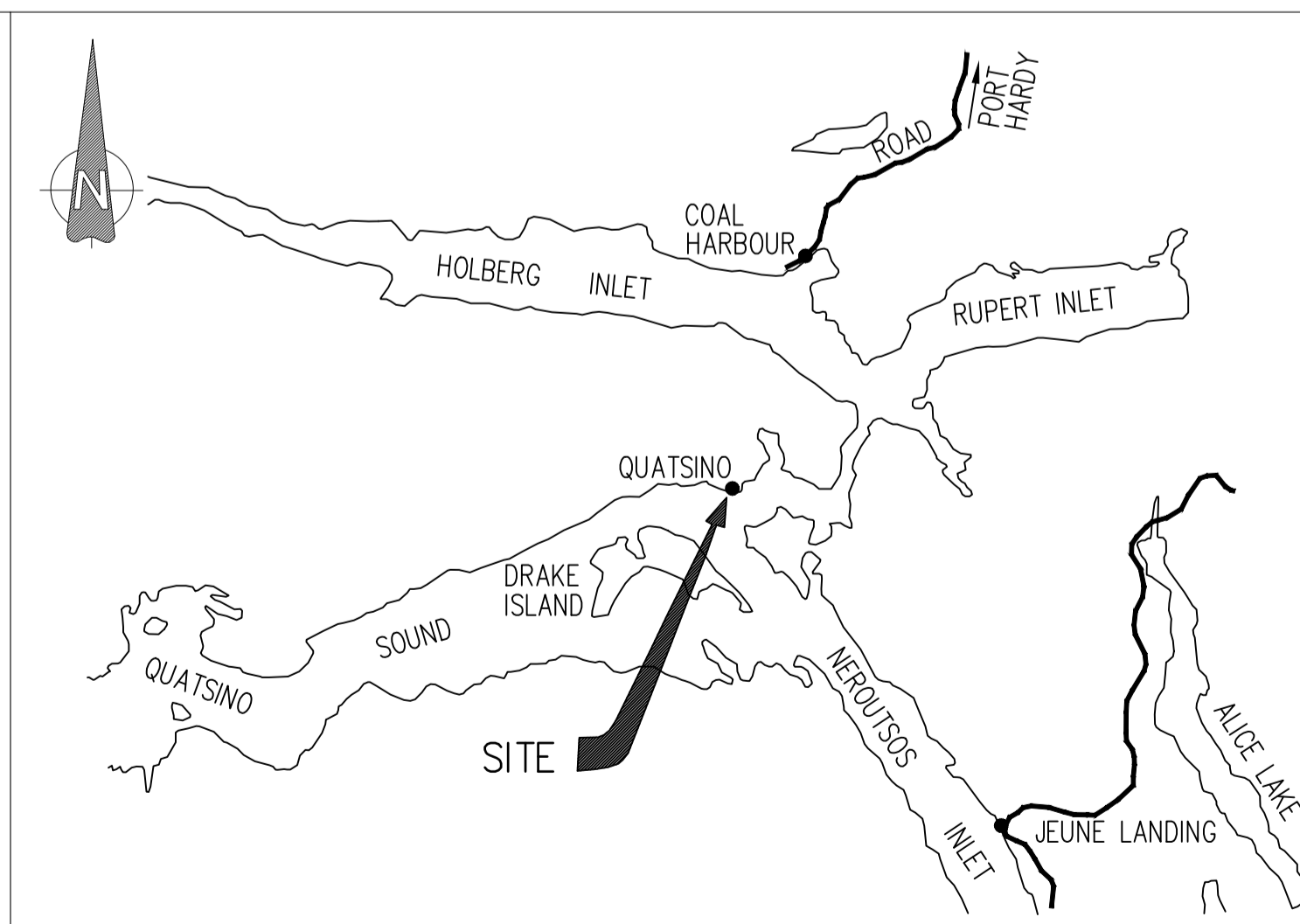
Regional Manager, Architectural and Engineering Services
Gestionnaire régionale, Services d'architecture et de génie, TPSGC

Drawing title/Titre du dessin
TITLE SHEET

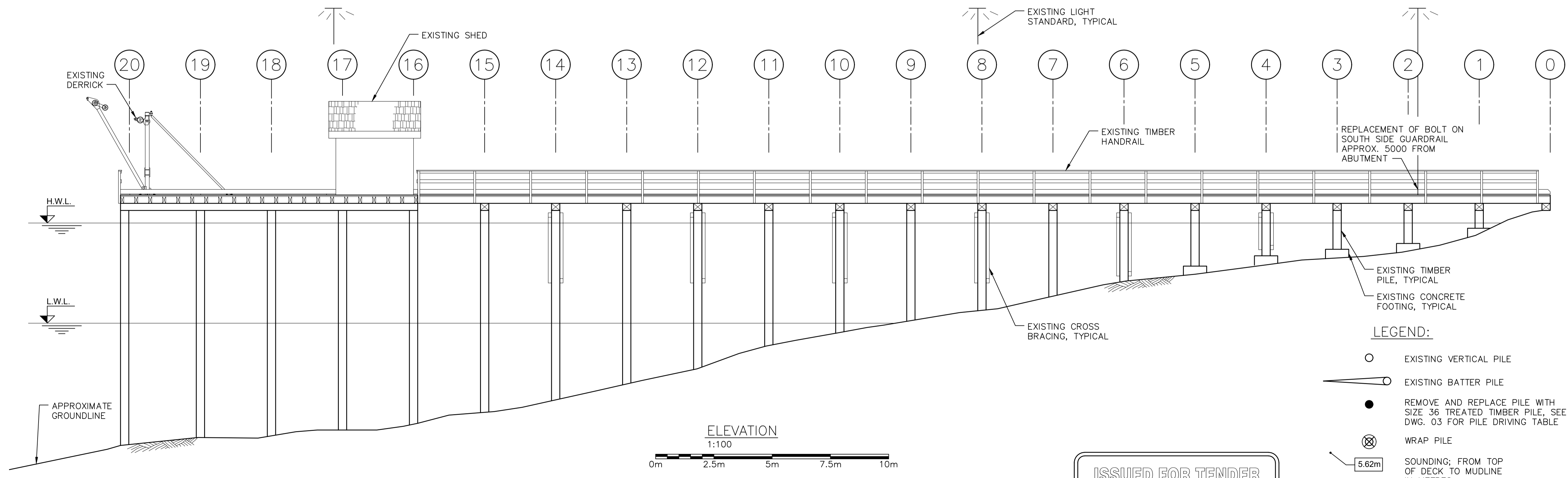
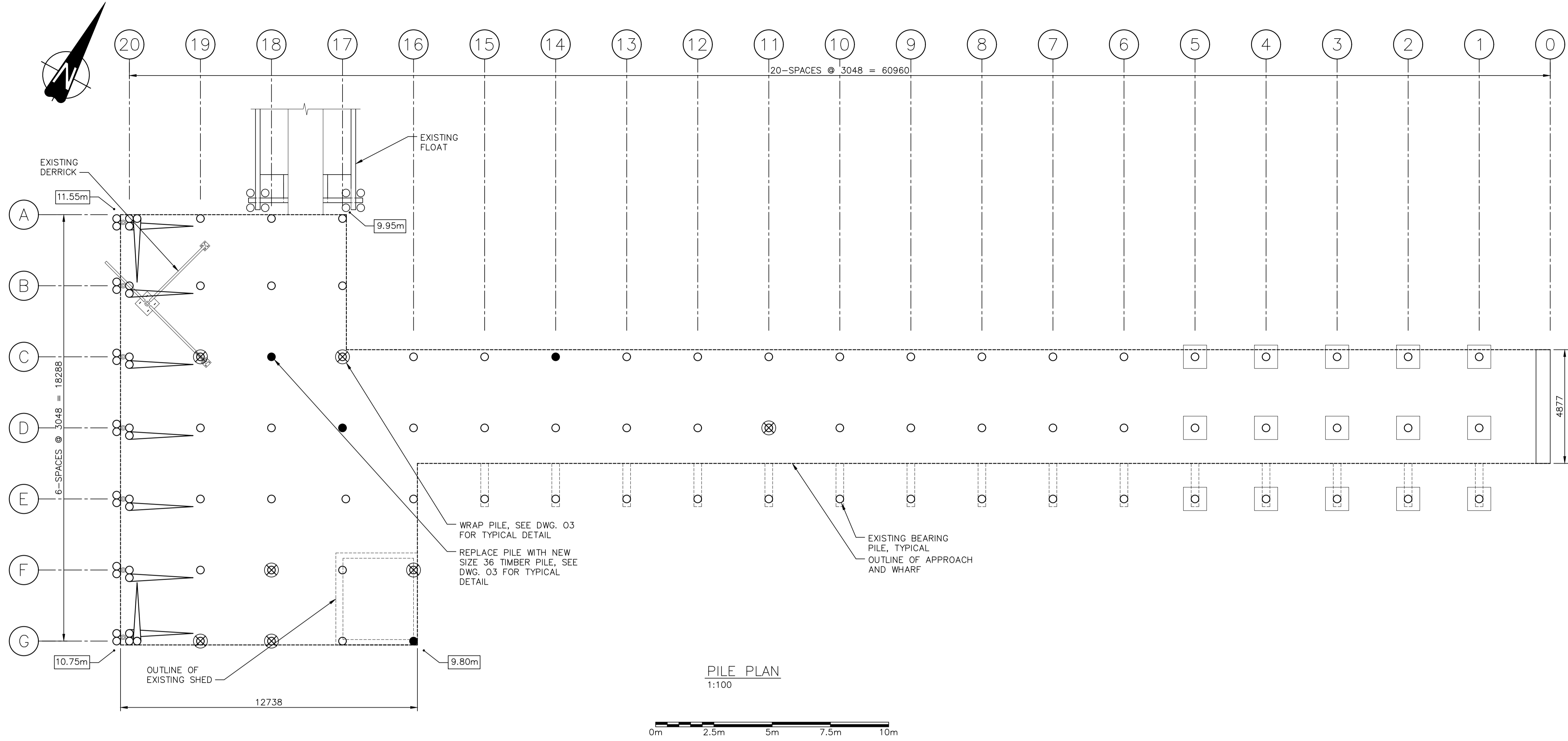
Project No./No. du projet R.077008.001	Sheet/Feuille 01 OF 05	Revision no./La Révision no. 3
--	-------------------------------------	--



LOCATION PLANS



SITE PLAN
1:500



ISSUED FOR TENDER

Revision/	Description/Description	Date/Date
5		
4		
3	ISSUED FOR TENDER	2016/07/08
2	ISSUED FOR 90% REVIEW	2016/05/25
1	ISSUED FOR 90% REVIEW	2016/04/08
0	ISSUED FOR 50% REVIEW	2016/03/28

Client/client
**TRANSPORT CANADA
HARBOURS AND PORTS**

800 BURRELL ST
VANCOUVER, B.C.

Project title/Titre du projet

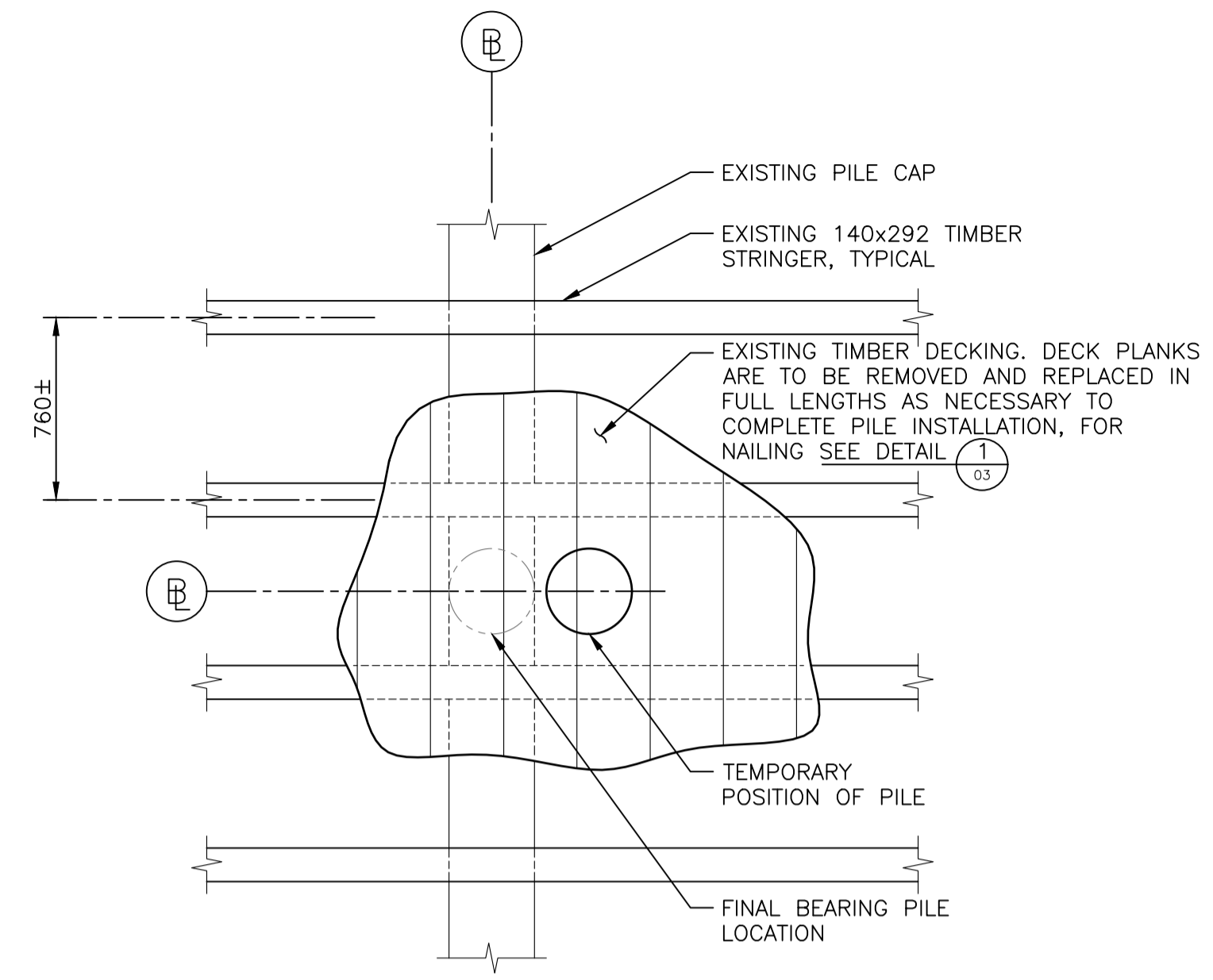
**QUATSINO, B.C.
WHARF RESTORATION**

Consultant Signature Only

Designed by/Concept par
CDW
Drawn by/Dessiné par
PHU MAR 2016
PWGSC Project Manager/Administrateur de Projets TPSGC
JIMMY WONG
Regional Manager, Architectural and Engineering Services
Gestionnaire régionale, Services d'architecture et de génie, TPSGC

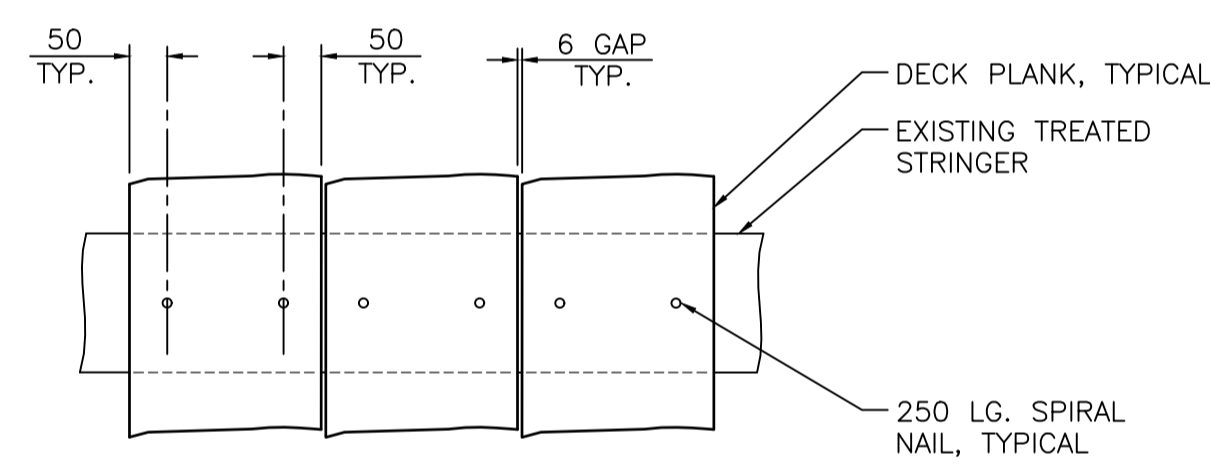
Drawing title/Titre du dessin
**APPROACH AND WHARFHEAD
REPAIR LOCATION PLAN**

Project No./No. du projet
R.077008.001
Sheet/Feuille
02
Revision no./Révision no.
3
OF 05

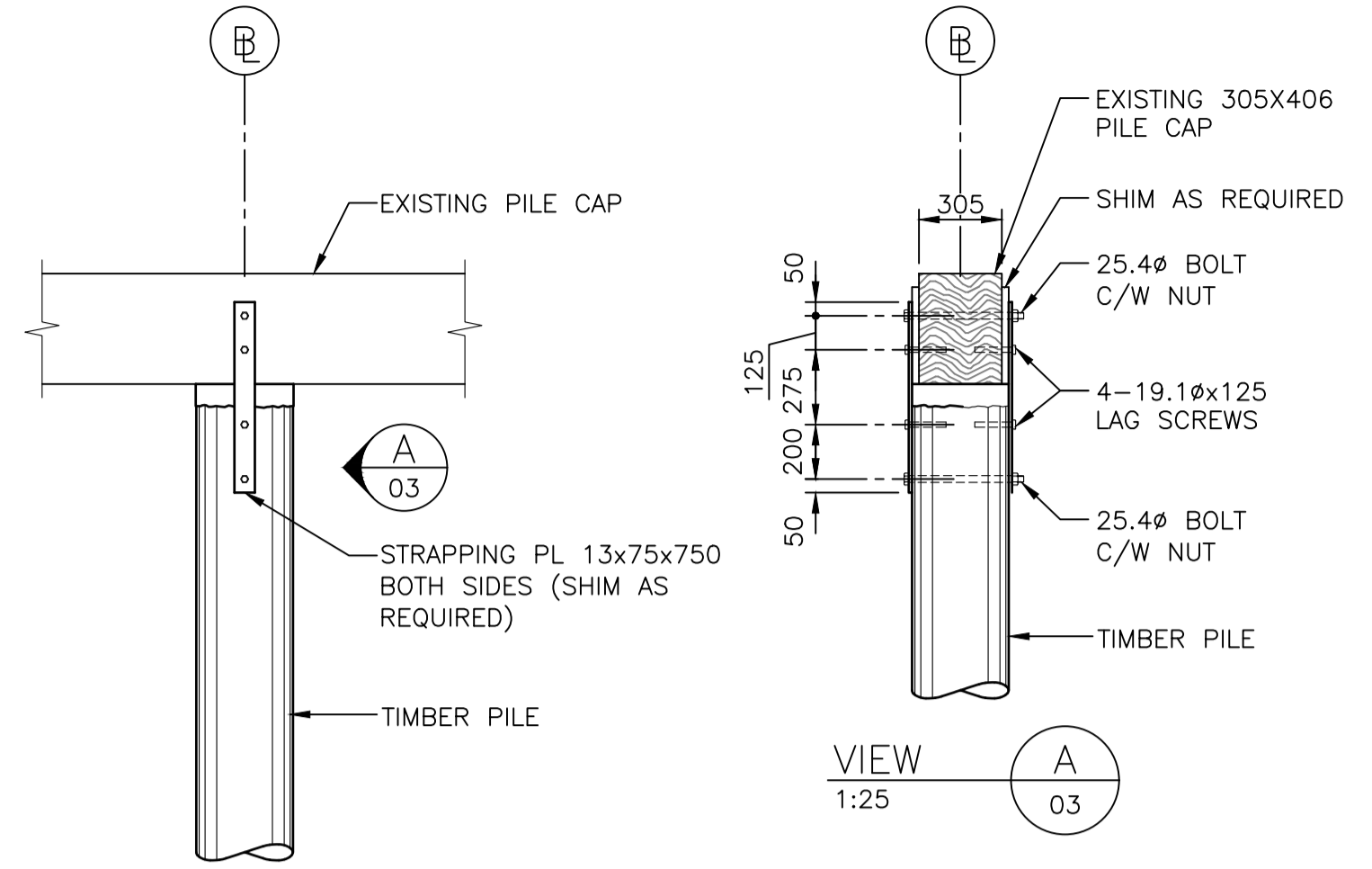


PLAN - TEMPORARY OPENING IN DECK FOR PILE REPLACEMENT
1:25

1. REMOVE MINIMUM AREA OF TIMBER DECKING AS REQUIRED TO PERMIT PILE REMOVAL AND INSTALLATION.
2. DO NOT CUT EXISTING TREATED STRINGERS.
3. INSTALL REPLACEMENT 64x292 DECKING.



DETAIL 1
1:10 03

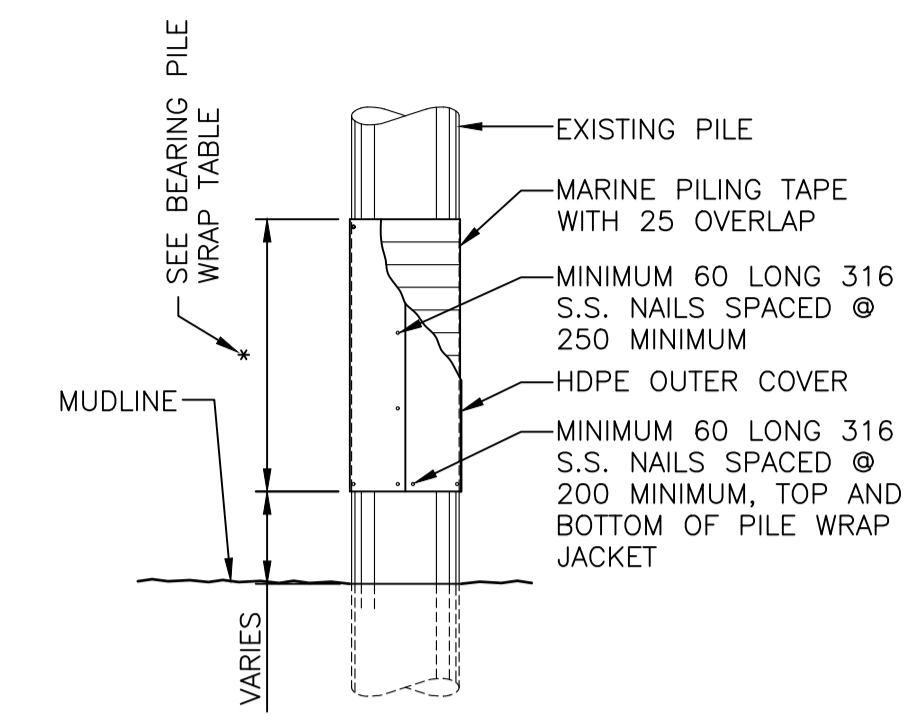


REPLACEMENT BEARING PILE DETAIL
1:25

NOTE: STRINGERS, DECKING AND BRACING NOT SHOWN.
NOTE: SHIMS TO BE CREOSOTE TREATED PLYWOOD.
NOTE: FOR LOCATIONS, SEE DWG. 02.



PILE DRIVING TABLE				
PILE LOCATION	PILE SIZE	ANTICIPATED EMBEDMENT	EXISTING PILE EMBEDMENT	AS-BUILT PILE EMBEDMENT
14 C	SIZE 36	5.0m (+0.5m)		
16 G	SIZE 36	5.0m (+0.5m)		
18 C	SIZE 36	5.0m (+0.5m)		



PILE WRAP DETAIL
1:25

NOTE: FOR LOCATIONS, SEE DWG. S02

BEARING PILE WRAP TABLE			
PILE LOCATION	# OF LOCATIONS	LENGTH OF WRAP(S)	HEIGHT ABOVE MUDLINE*
11 D	1	0.5m	2.0m
16 F	1	0.5m	MUDLINE
17 C	1	0.5m	0.3m
18 F	1	0.5m	MID-HEIGHT
18 G	1	0.5m	0.3m
19 C	1	0.5m	2.5m
19 G	1	0.5m	3.0m

* TO BE FIELD CONFIRMED PRIOR TO INSTALLATION

Revision/Revision	Description/Description	Date/Date
5		
4		
3	ISSUED FOR TENDER	2016/07/08
2	ISSUED FOR 90% REVIEW	2016/05/25
1	ISSUED FOR 90% REVIEW	2016/04/08
0	ISSUED FOR 50% REVIEW	2016/03/28

Client/client
**TRANSPORT CANADA
HARBOURS AND PORTS**

800 BURREAD ST
VANCOUVER, B.C.

Project title/Titre du projet

**QUATSINO, B.C.
WHARF RESTORATION**

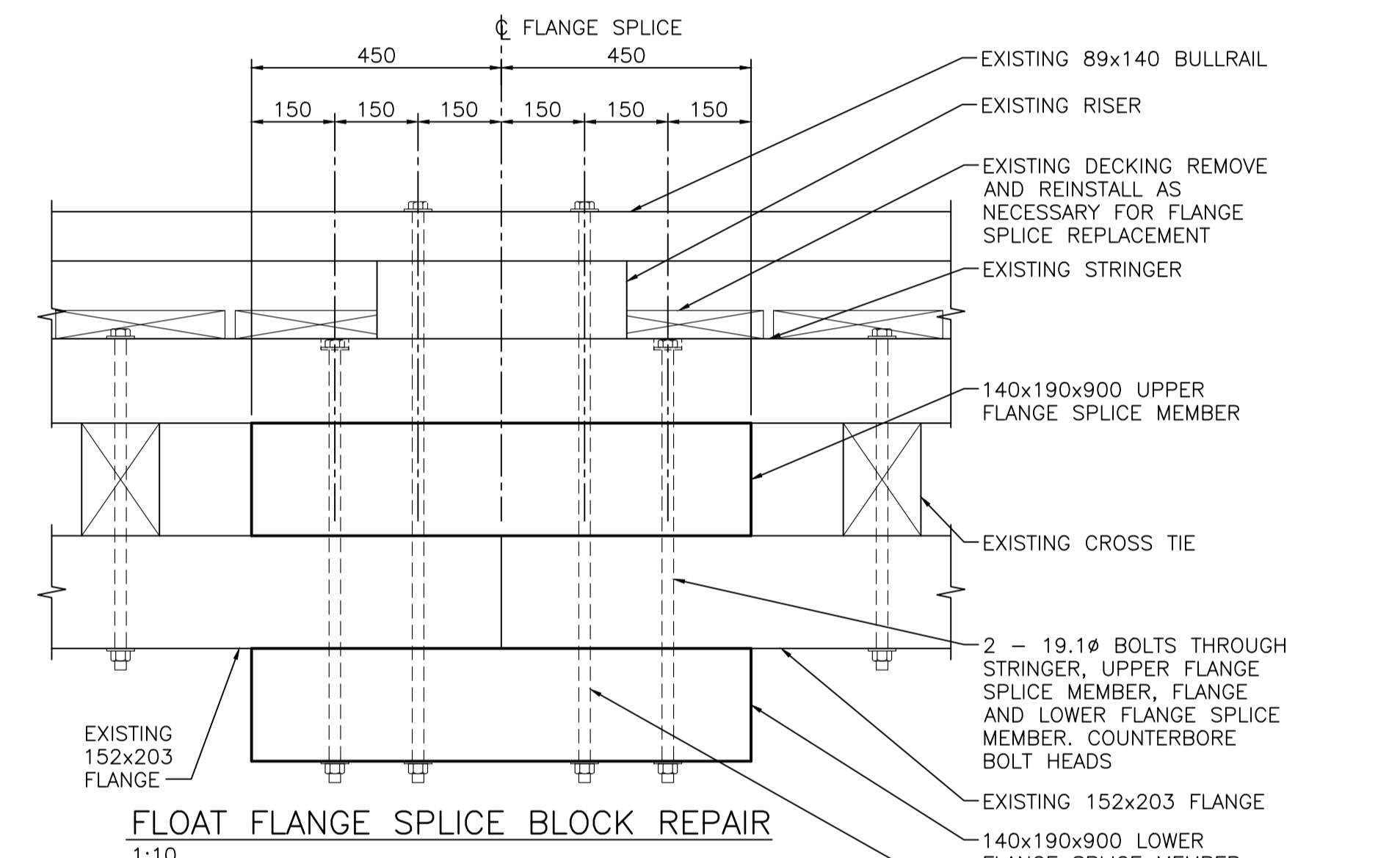
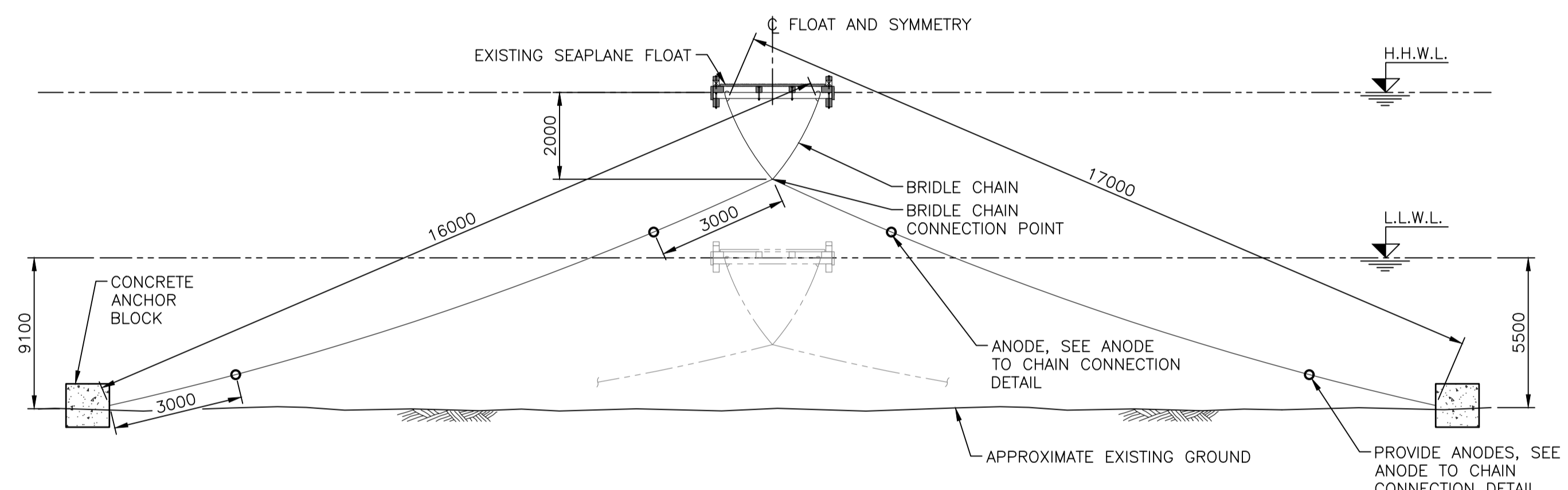
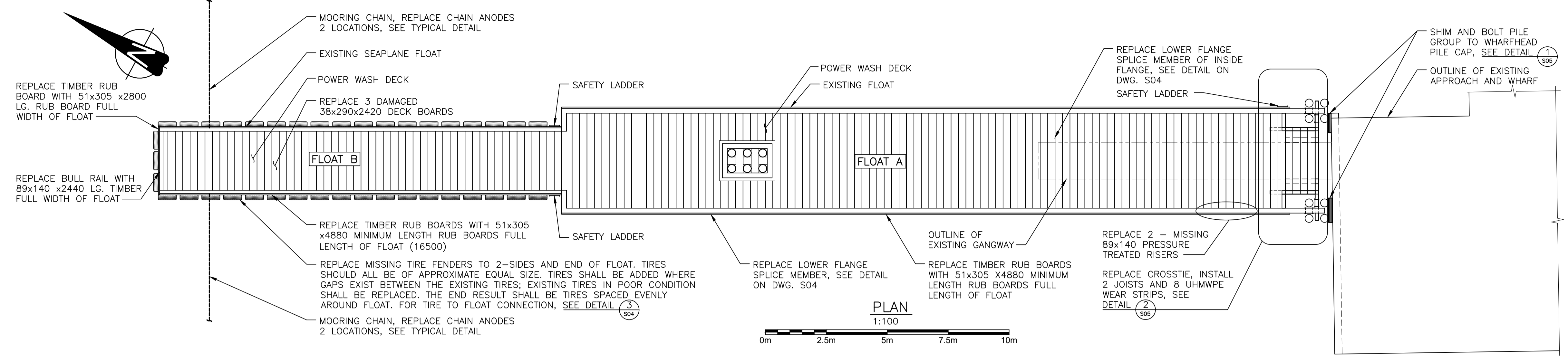
Consultant Signature Only

Designed by/Concept par
CDW
Drawn by/Dessiné par
PHU MAR 2016
PWGSC Project Manager/Administrateur de Projets TPSGC
JIMMY WONG
Regional Manager, Architectural and Engineering Services
Gestionnaire régionale, Services d'architecture et de génie, TPSGC

Drawing title/Titre du dessin
**APPROACH AND WHARFHEAD
REPAIR DETAILS**

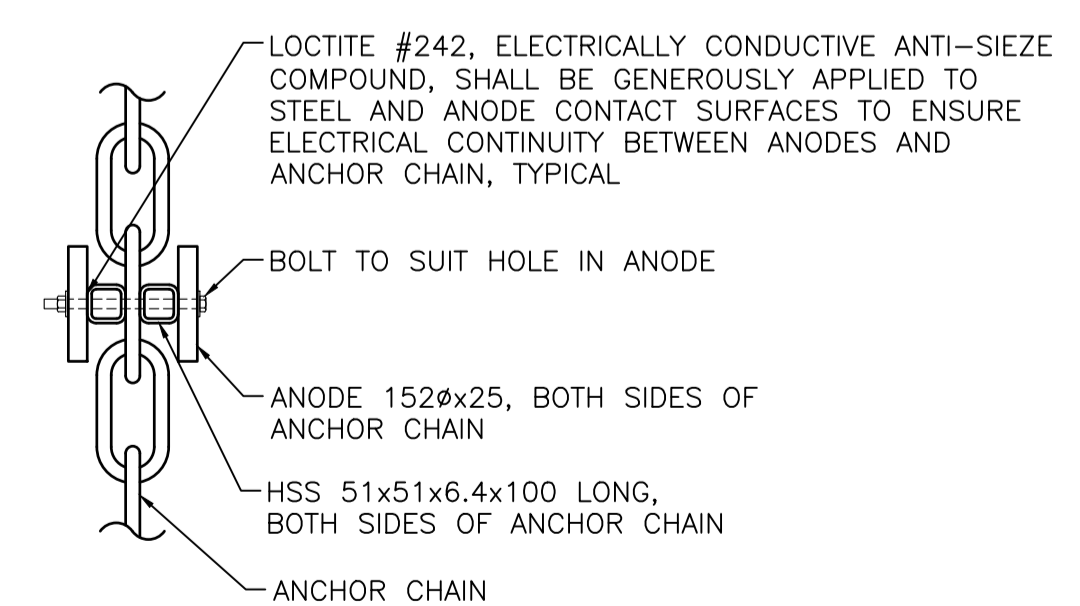
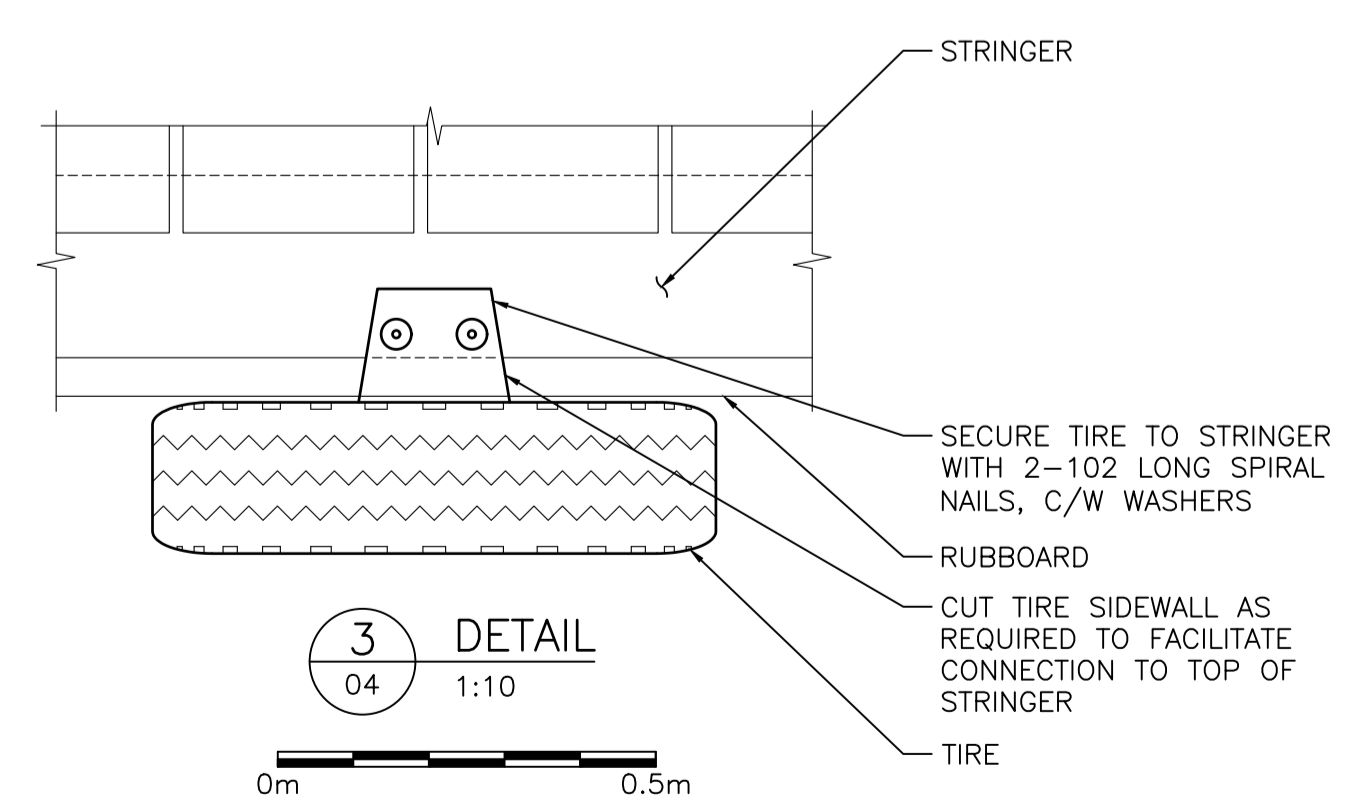
Project No./No. du projet	Sheet/Feuille	Revision no./La Révision no.
R.077008.001	03 OF 05	3

ISSUED FOR TENDER

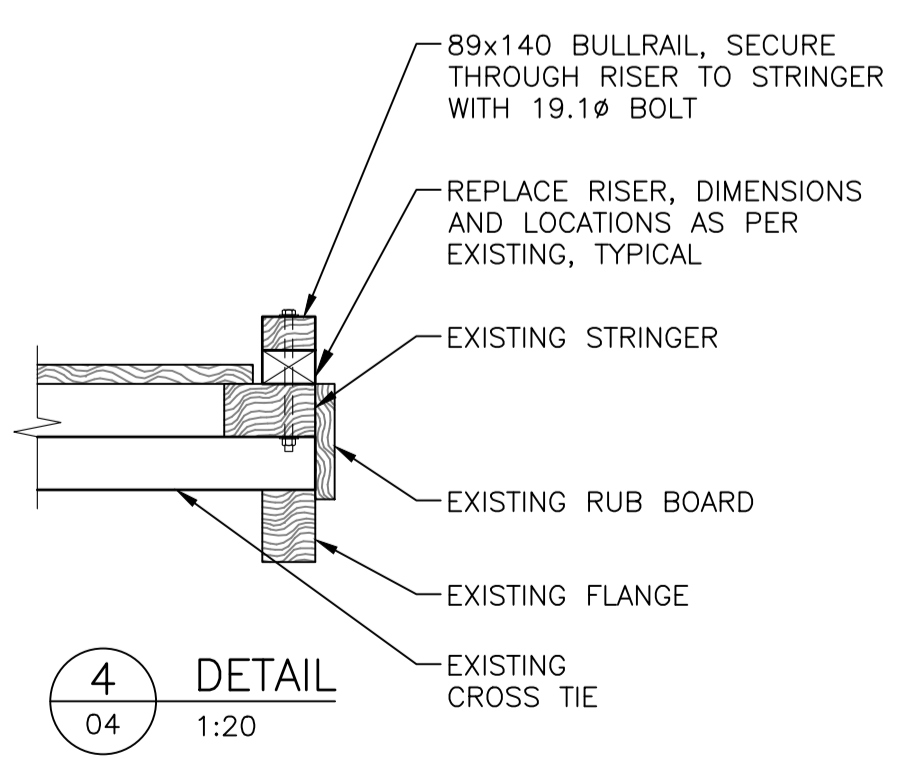
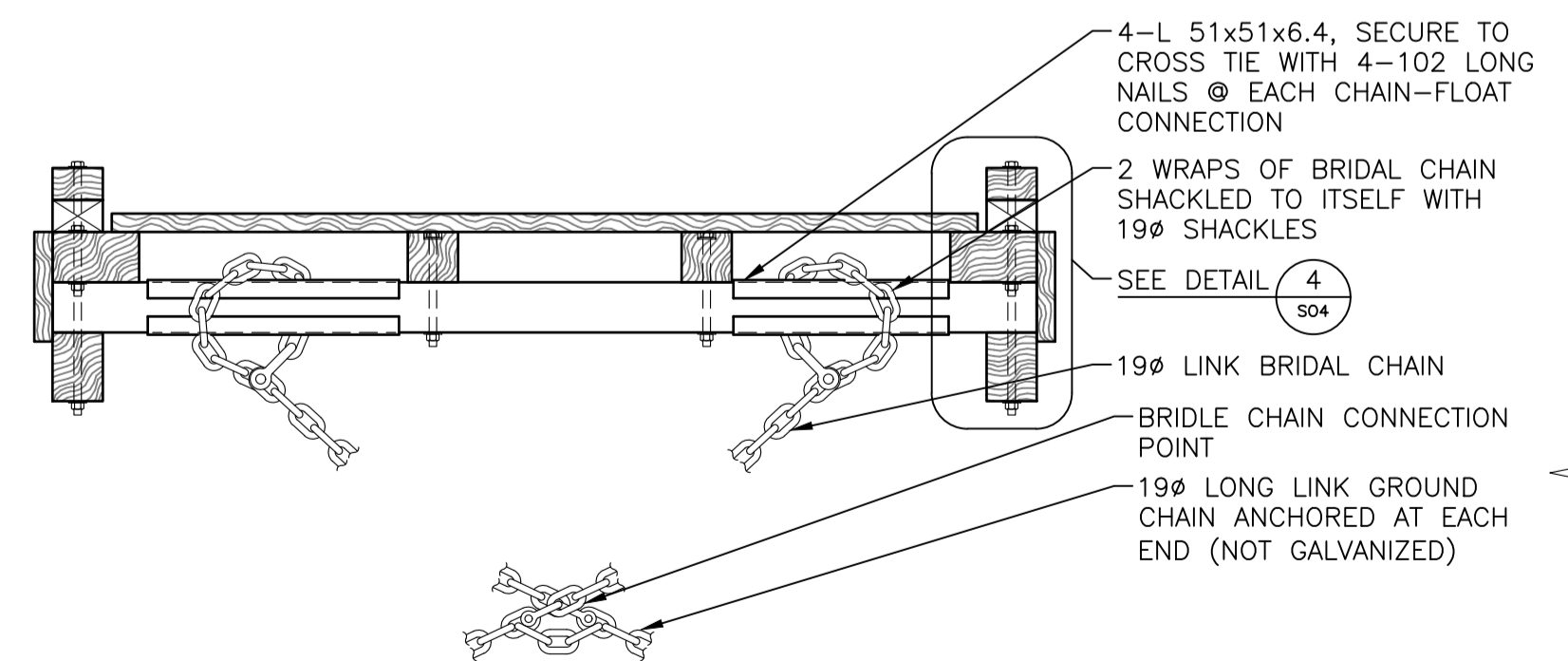


NOTES:

- SPLICE DETAIL SHOWN IS FOR EXTERIOR FLANGE SPLICE, INTERIOR FLANGE SPLICE SIMILAR EXCEPT CROSS TIE BOLTING DIFFERS.
- FOR LOCATION, SEE DWG. 04.
- RE-USE EXISTING BOLT HOLES ON EXISTING TIMBER MEMBERS TO REMAIN.
- RUB BOARD NOT SHOWN FOR CLARITY.



NOTE: 4-REQUIRED.



Revision/Revision	Description/Description	Date/Date
5		
4		
3	ISSUED FOR TENDER	2016/07/08
2	ISSUED FOR 90% REVIEW	2016/05/25
1	ISSUED FOR 90% REVIEW	2016/04/08
0	ISSUED FOR 50% REVIEW	2016/03/28

Client/client
TRANSPORT CANADA HARBOURS AND PORTS
800 BURRARD ST VANCOUVER, B.C.

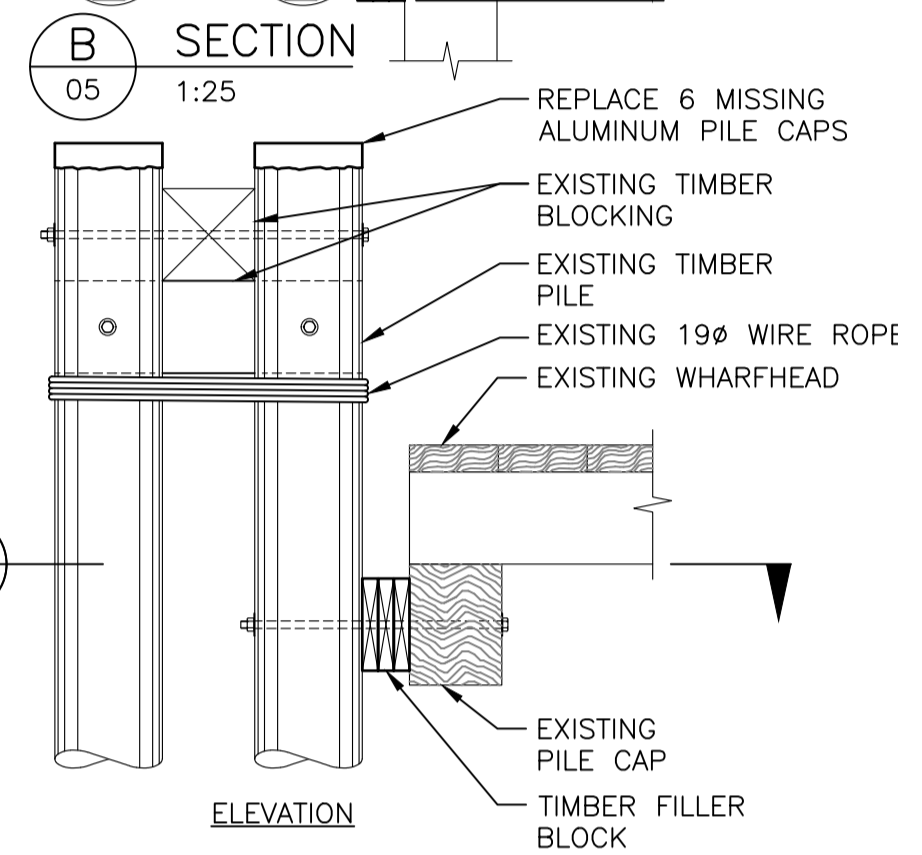
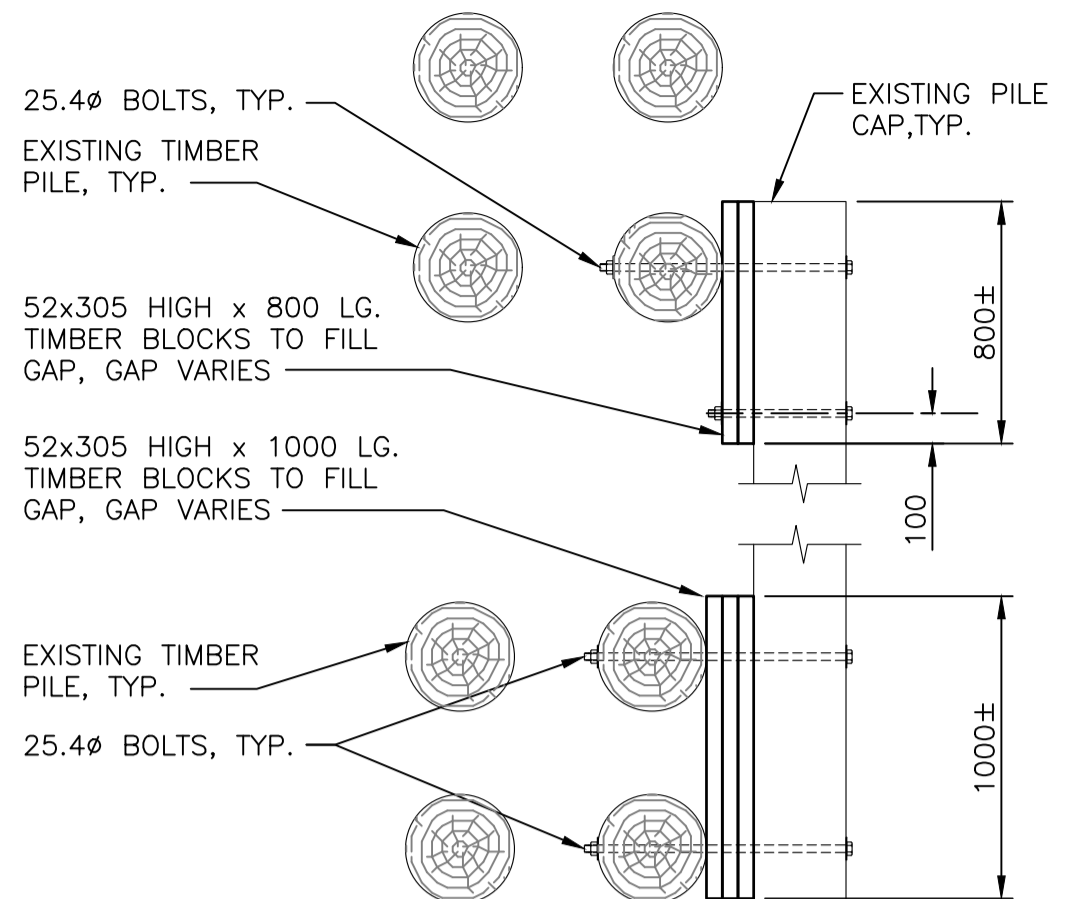
Project title/Titre du projet
QUATSINO, B.C. WHARF RESTORATION

Consultant Signature Only
Designed by/Concept par CDW
Drawn by/Dessiné par PHU MAR 2016
PWGSC Project Manager/Administrateur de Projets TPSGC JIMMY WONG
Regional Manager, Architectural and Engineering Services Gestionnaire régionale, Services d'architectural et de génie, TPSGC

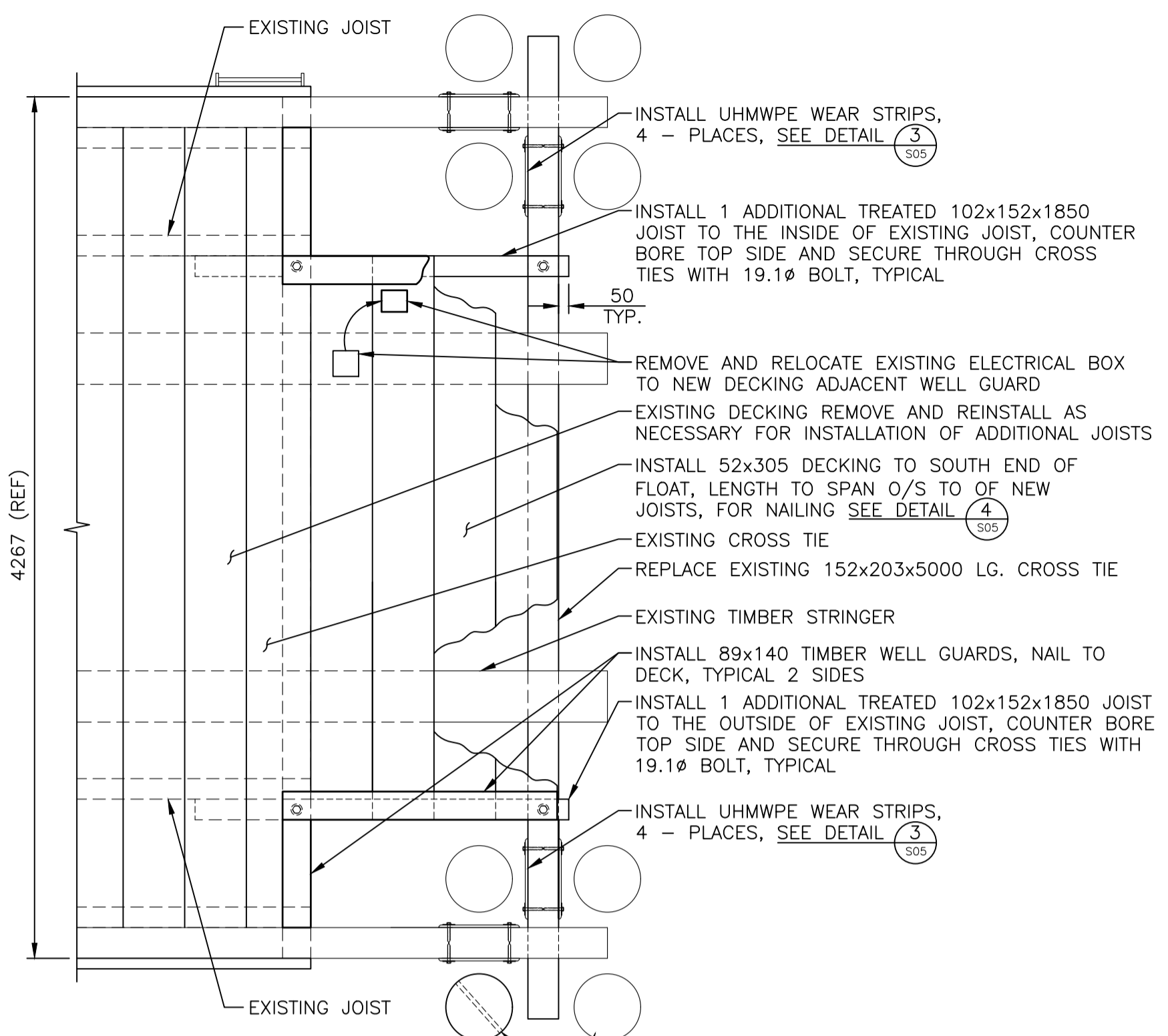
Drawing title/Titre du dessin
FLOAT PLAN AND REPAIR DETAILS

Project No./No. du projet R.077008.001
Sheet/Fauille 04 OF 05
Revision no./La Révision no. 3

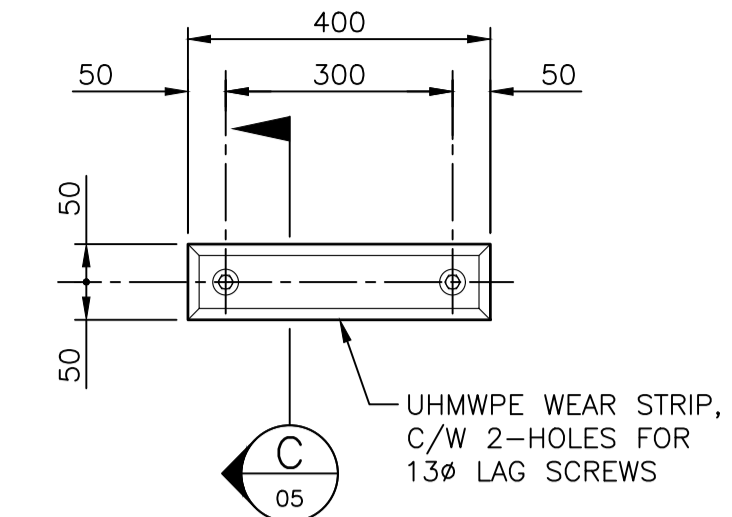
ISSUED FOR TENDER



1 DETAIL - MOORING PILE CONNECTION
04 1:25
NOTE: SUPPLY SUFFICIENT FILLER BLOCKS FOR 3 PER CONNECTION POINT MINIMUM.

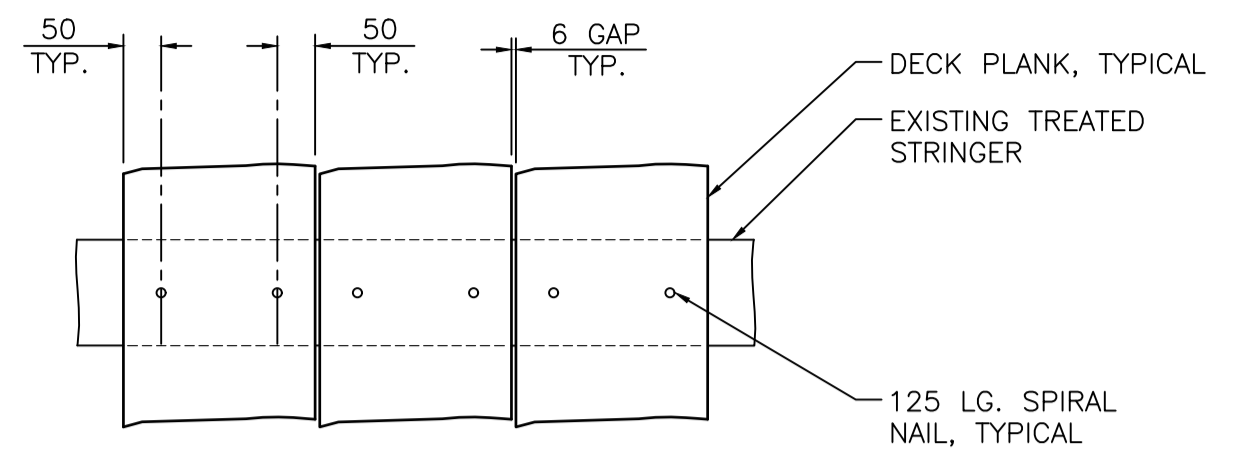


2 DETAIL
04 1:25
NOTE: EXISTING MEMBER SIZES AND LOCATION BASED ON PWGSC DWG. EDRM #54252.

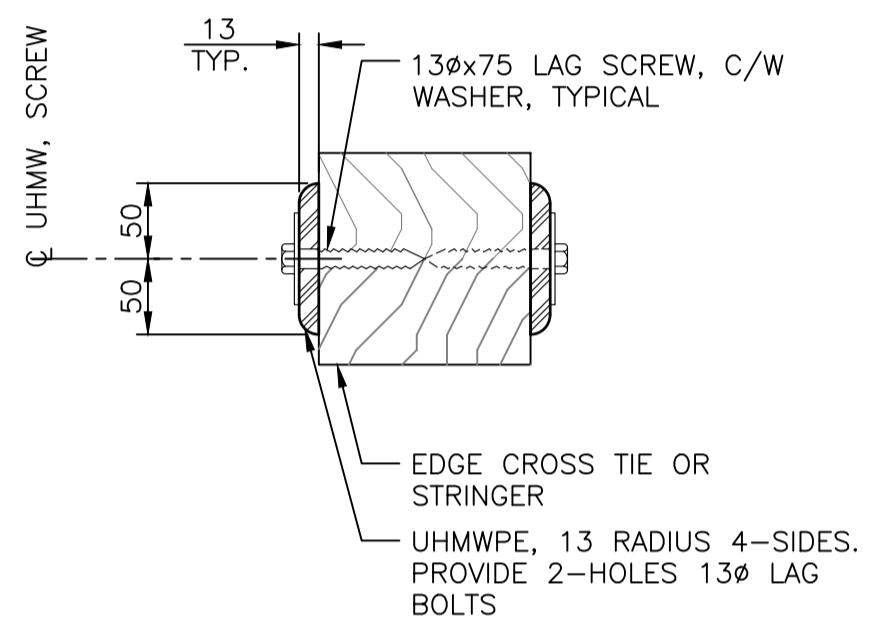


3 DETAIL
05 1:10

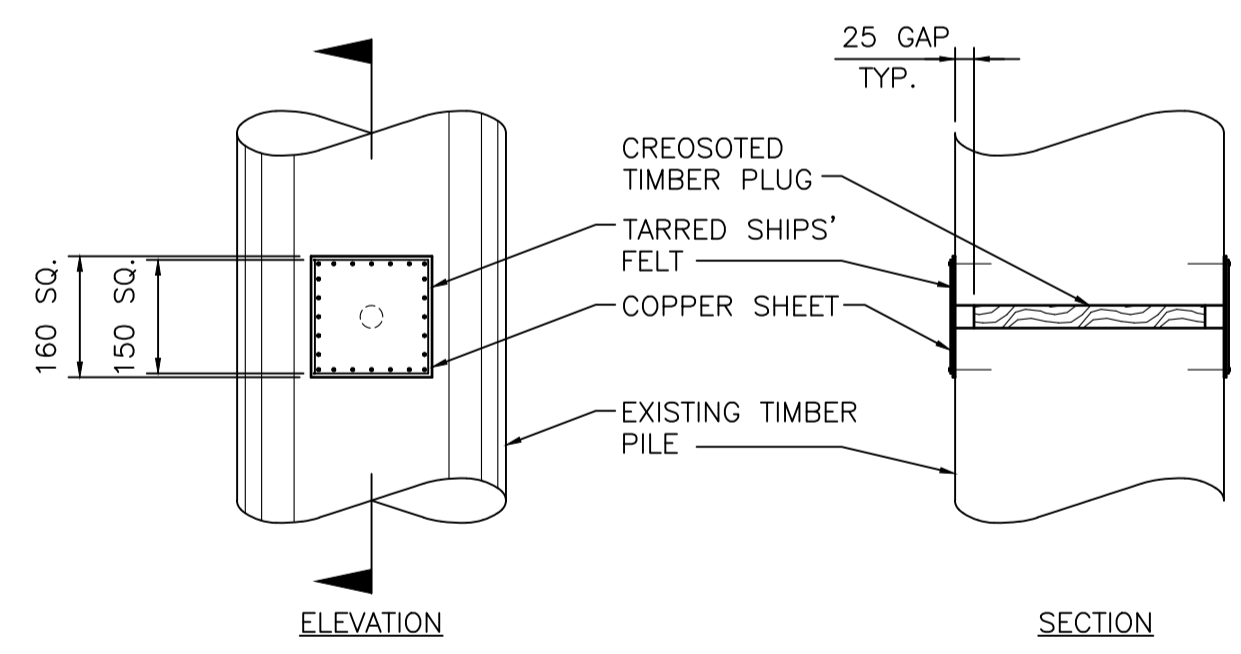
* LENGTH MAY BE SHORTENED IN FIELD IF NECESSARY.
NOTE: WEAR STRIPS TO BE UHMWPE U.V. STABILIZED SHAPED AND DRILLED AS SHOWN.



4 DETAIL
05 1:10



C SECTION
05 1:5



BOLT HOLE PATCHING DETAIL
1:10

- TREAT HOLE WITH CREOSOTE.
- PLUG HOLE WITH TIGHT-FITTING CREOSOTED TIMBER PLUG.
- PATCH BOTH ENDS OF HOLE WITH FIBERGLASS-REINFORCED ROOF PATCHING COMPOUND.
- COVER BOTH ENDS OF HOLE WITH 160x60 PATCH OF TARRED SHIPS' FELT. COVER BOTH ENDS OF HOLE WITH 150x150 PATCH OF 3mm HARD OR ANNEALED COPPER SHEET OVER SHIPS' FELT AND SECURE EACH SIDE WITH 38 LONG COPPER OR SILICON-BRONZE BOAT NAILS SPACED 25 APART AROUND THE PERIMETER

Revision/	Description/Description	Date/Date
5		
4		
3	ISSUED FOR TENDER	2016/07/08
2	ISSUED FOR 90% REVIEW	2016/05/25
1	ISSUED FOR 90% REVIEW	2016/04/08
0	ISSUED FOR 50% REVIEW	2016/03/28

Client/client
**TRANSPORT CANADA
HARBOURS AND PORTS**

800 BURREAD ST
VANCOUVER, B.C.

Project title/Titre du projet
**QUATSINO, B.C.
WHARF RESTORATION**

Consultant Signature Only

Designed by/Concept par
CDW
Drawn by/Dessiné par
PHU MAR 2016
PWGSC Project Manager/Administrateur de Projets TPSGC
JIMMY WONG
Regional Manager, Architectural and Engineering Services
Gestionnaire régionale, Services d'architecture et de génie, TPSGC

Drawing title/Titre du dessin
**FLOAT REPAIR
DETAILS AND SECTION**

Project No./No. du projet	Sheet/Feuille	Revision no./La Révision no.
R.077008.001	05 OF 05	3

ISSUED FOR TENDER