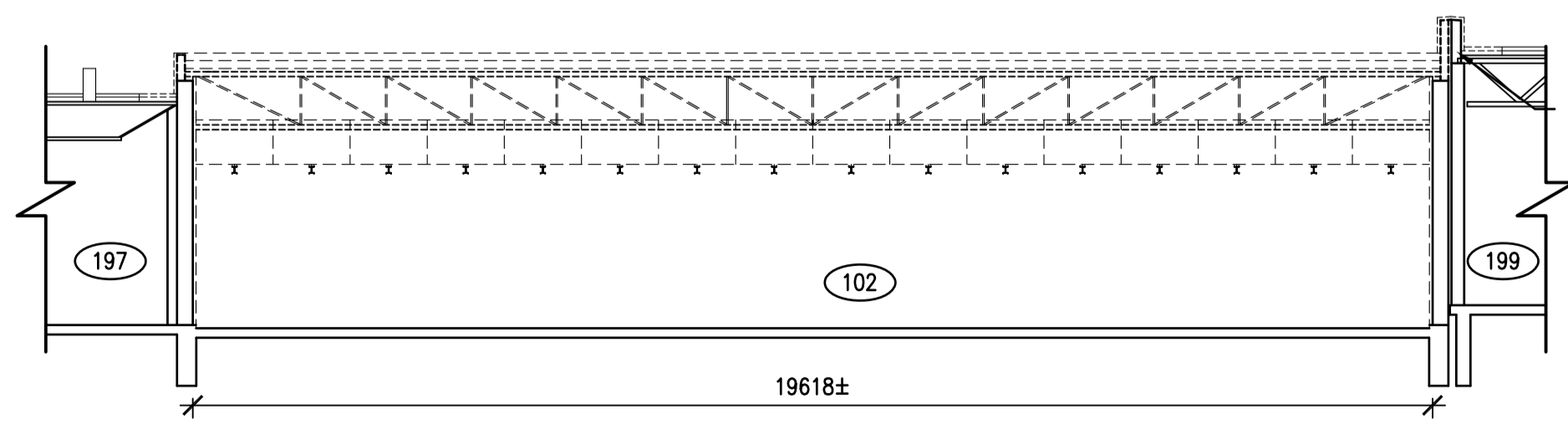
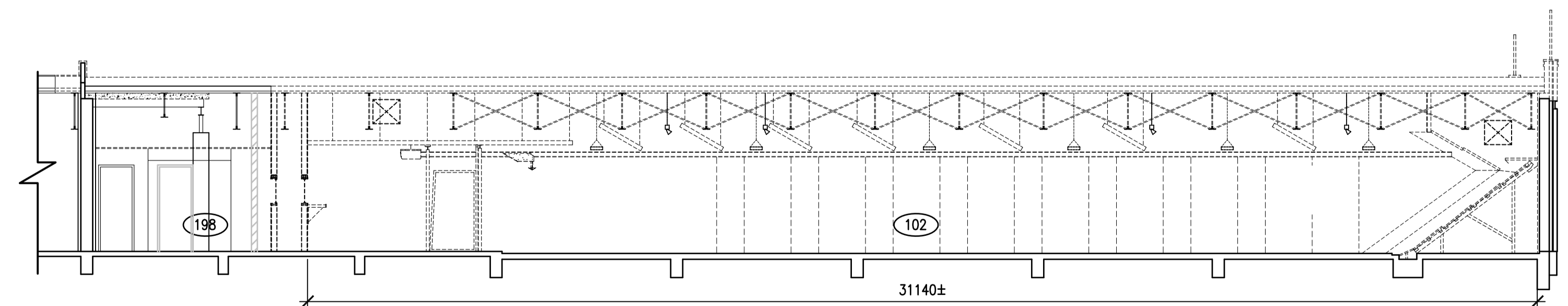


1 MAIN FLOOR DEMOLITION PLAN
1:100



3 BUILDING SECTION DEMOLITION
1:100



2 BUILDING SECTION DEMOLITION
1:100