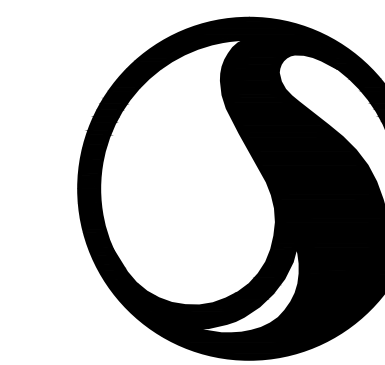


Parks
Canada

Parcs
Canada



Stantec
JOB No. 133430527

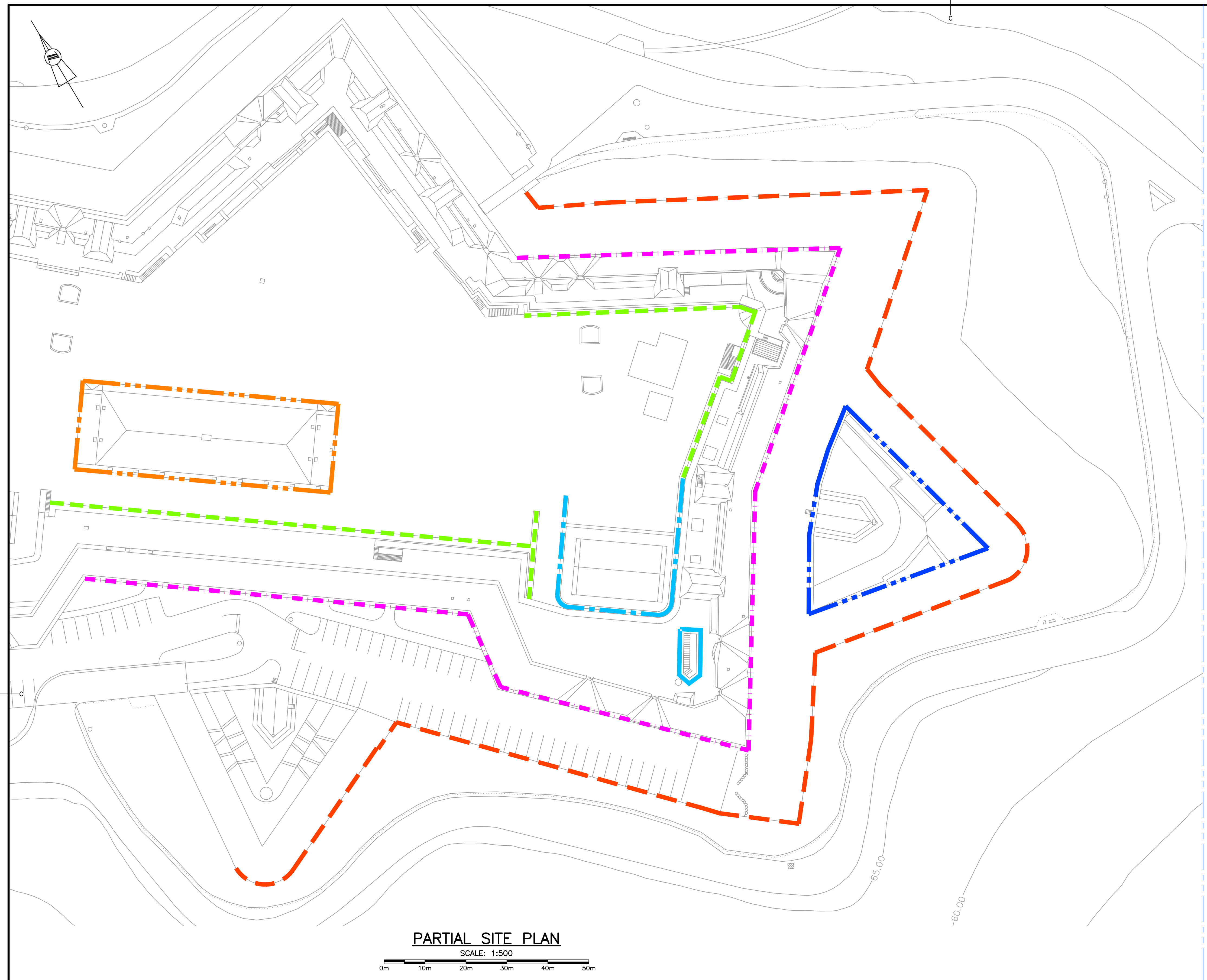
HALIFAX CITADEL NATIONAL HISTORIC SITE
STABILIZATION OF SOUTH FRONT MASONRY WALLS
HALIFAX
NOVA SCOTIA

PROJECT NO. 5P301.14.0001.002

ISSUED FOR TENDER

AUG. 2, 2016

Canada



PARTIAL SITE PLAN

SCALE: 1:500



LEGEND:

- - - AREA 1 - COUNTERSCARP WALL AND MUSKET GALLERY
DRAWING S-101
- - - AREA 2 - SOUTH INTERIOR COURTYARD WALLS
DRAWING S-201
- - - AREA 3 - SOUTH MAGAZINE
DRAWING S-301
- - - AREA 4 - ESCARP WALL
DRAWING S-401
- - - AREA 5 - AREAWAY AND CASEMATES
DRAWING S-501
- - - AREA 6 - CAVALIER BUILDING
DRAWING S-601
- - - AREA 7 - SOUTH RAVELIN
DRAWING S-701

GENERAL NOTES

1. DIMENSIONS TO BE DETERMINED ONSITE, AND WILL VARY FROM THOSE SHOWN.
2. STABILIZATION METHODS TO BE SPECIFIED AND AS INSTRUCTED BY THE ENGINEER, AND WILL BE TAILORED TO AS-FOUND CONDITIONS ON SITE.
3. CONTRACTOR TO DEVELOP AND PRESENT PLAN FOR TEMPORARY FENCING AND/OR BARRIERS AND SIGNAGE FOR PUBLIC SAFETY DURING CONSTRUCTION. IMPLEMENT APPROVED MEASURES PRIOR TO STARTING CONSTRUCTION.

WALL STABILIZATION PROCEDURES

FROM MINIMUM TO MAXIMUM SCOPE:

1. RAKING AND REPOINTING VENEER
2. RAKING AND REPOINTING VENEER, AND GROUT STABILIZATION OF VENEER.
3. VENEER RECORDING AND REMOVAL, BACK-UP REMOVAL TO DEPTH DETERMINED, BACK-UP REBUILDING AND VENEER REINSTATEMENT
4. VENEER RECORDING AND REMOVAL, BACK-UP REMOVAL TO FULL DEPTH, BACK-UP REBUILDING AND VENEER REINSTATEMENT.

ENGINEER WILL INSPECT AS-FOUND CONDITIONS AND DETERMINE SCOPE OF WORK AT ALL LOCATIONS, PROGRESSIVELY.

REFER TO TECHNICAL SPECIFICATIONS FOR ALL STABILIZATION REQUIREMENTS.

NOTES:

1. ALL DIMENSIONS SHOWN ON DRAWING ARE TO BE CONFIRMED BY CONTRACTOR.
2. ALL REPAIR RECOMMENDATIONS, METHODS, AND MATERIALS AND FINAL CONDITIONS TO BE DETERMINED BY THE DEPARTMENTAL REPRESENTATIVE UPON VERIFICATION OF EXISTING CONDITIONS.



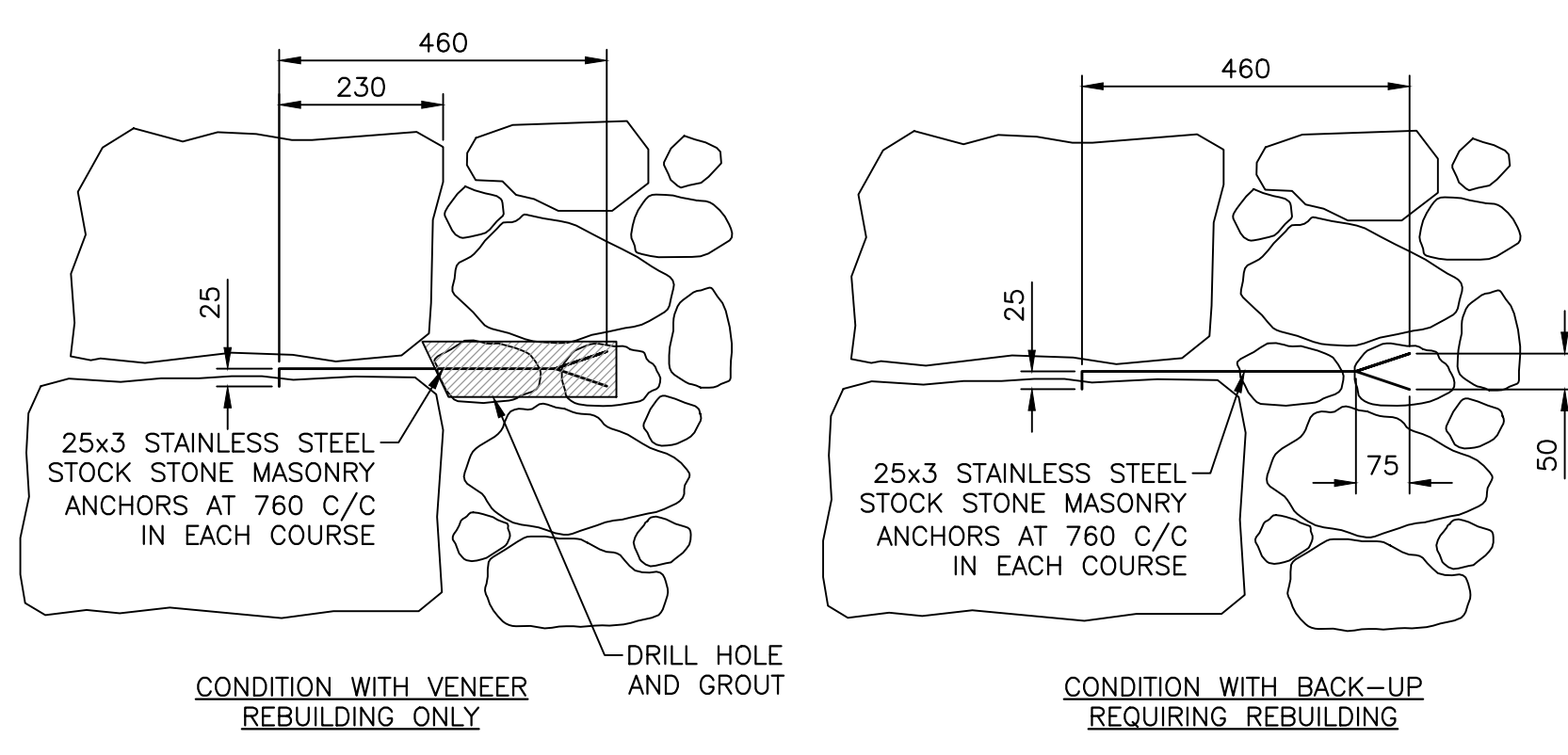
FOR TENDER
AUG 2, 2016

0	ISSUED FOR TENDER	AUG/02/2016
revisions		date

project project
HALIFAX CITADEL NATIONAL HISTORIC SITE STABILIZATION OF SOUTH FRONT MASONRY WALLS

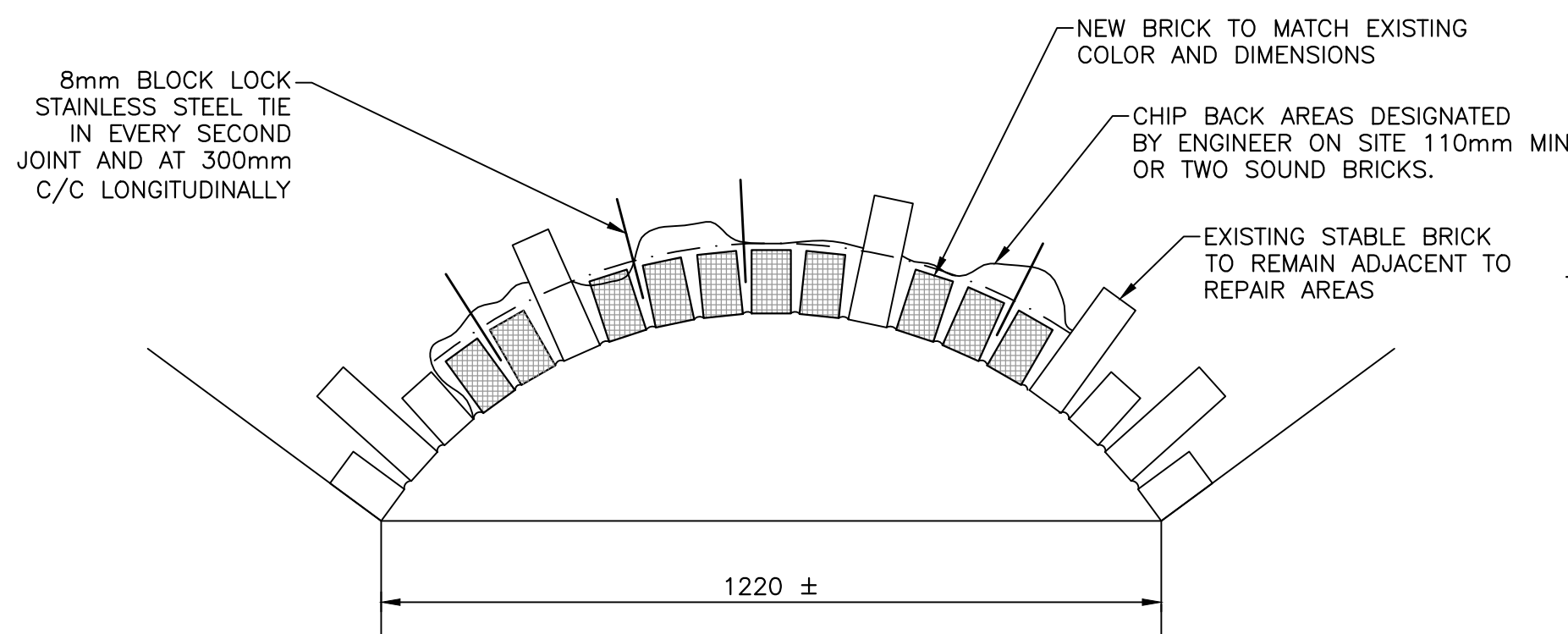
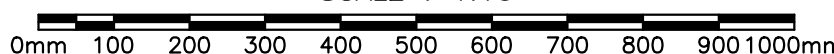
drawing dessin
AREA OF WORK KEY PLAN AND TYPICAL DETAILS

designed N.GUY/D.ARCHIBALD	conçu
date	
drawn G.BOUTILIER	dessiné
date	
approved N.GUY	approuvé
date	
Tender	Soumission
PWSC Project Manager Administrateur de projets TPSGC	
project number no. du projet	
5P301.14.0001.002	
drawing no. no. du dessin	
S-100	



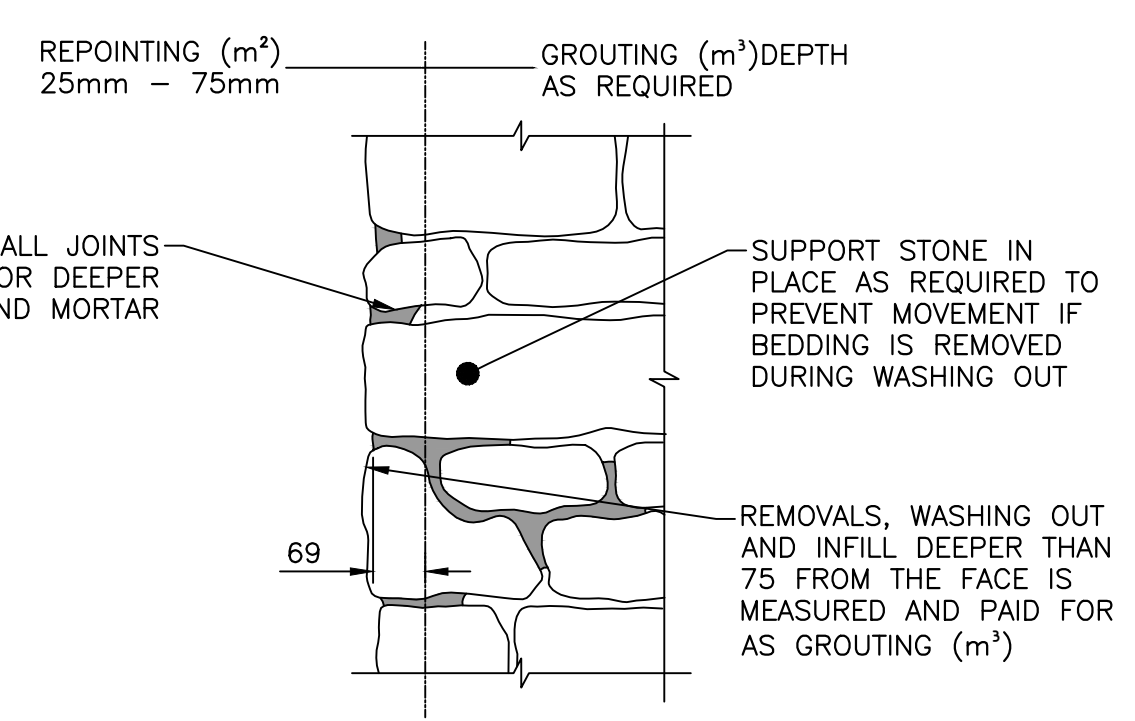
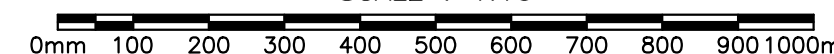
DETAIL: MASONRY ANCHOR (PROVISIONAL)

SCALE: 1:10



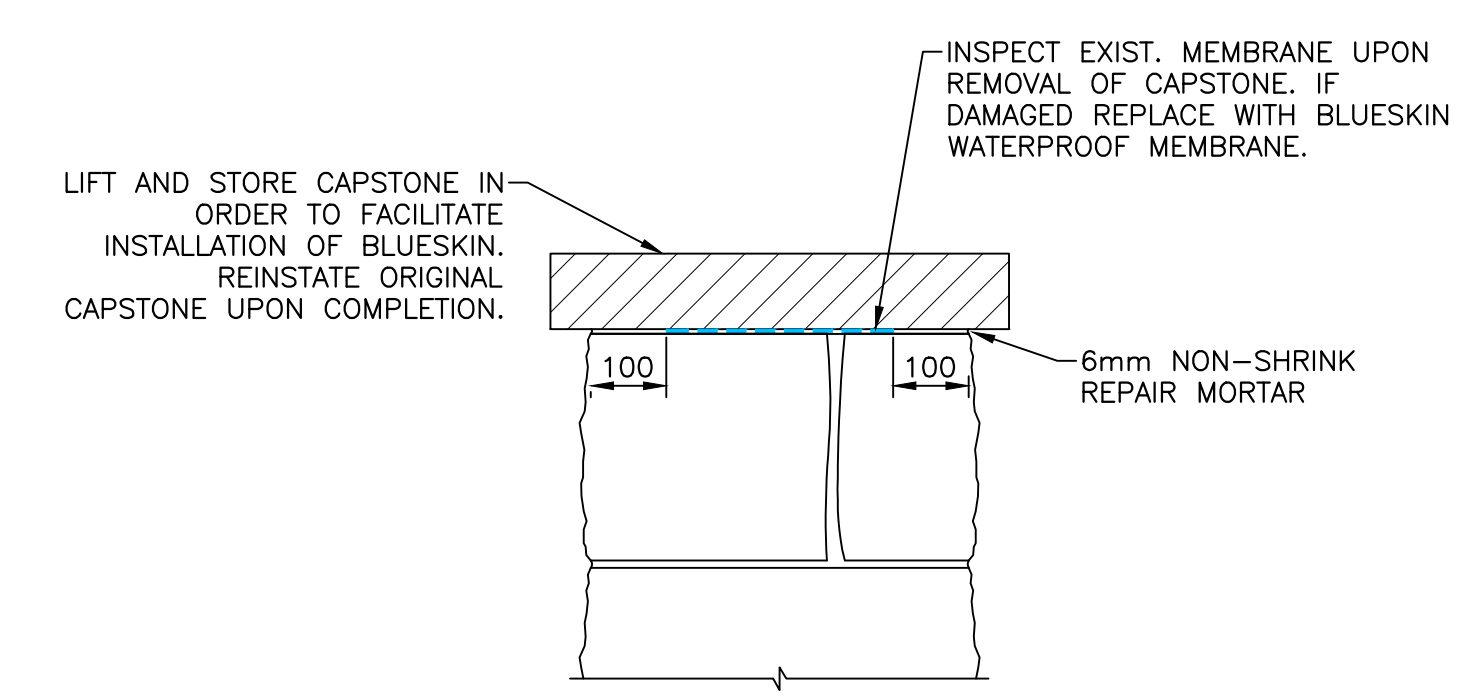
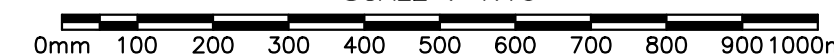
DETAIL: BRICK ARCH REPAIR

SCALE: 1:10



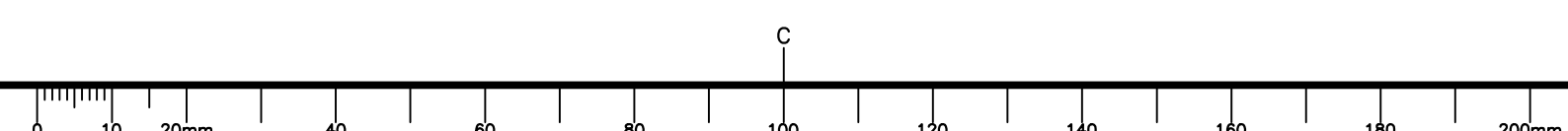
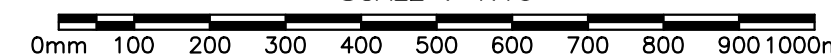
DETAIL: REPOINTING AND GROUTING

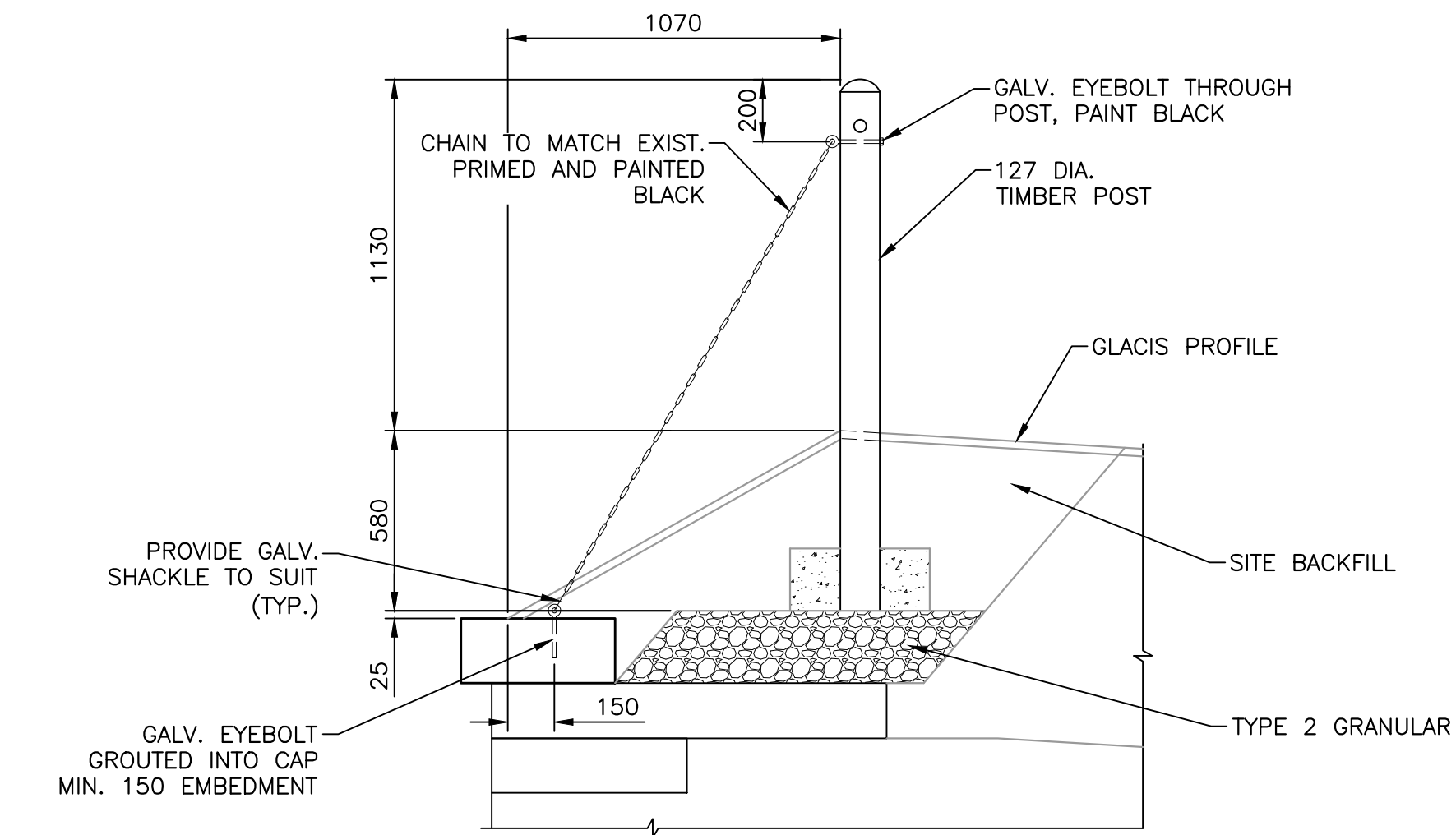
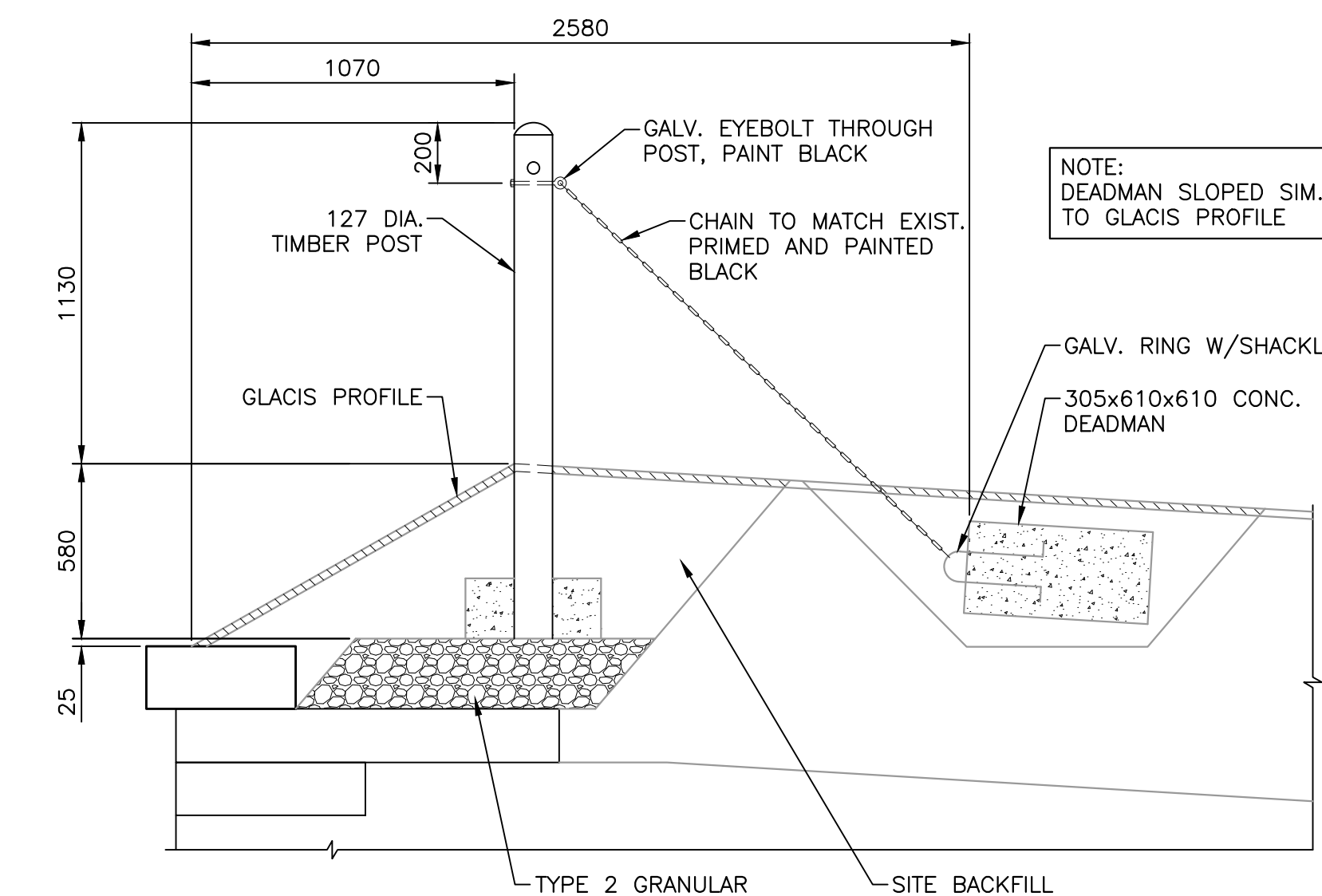
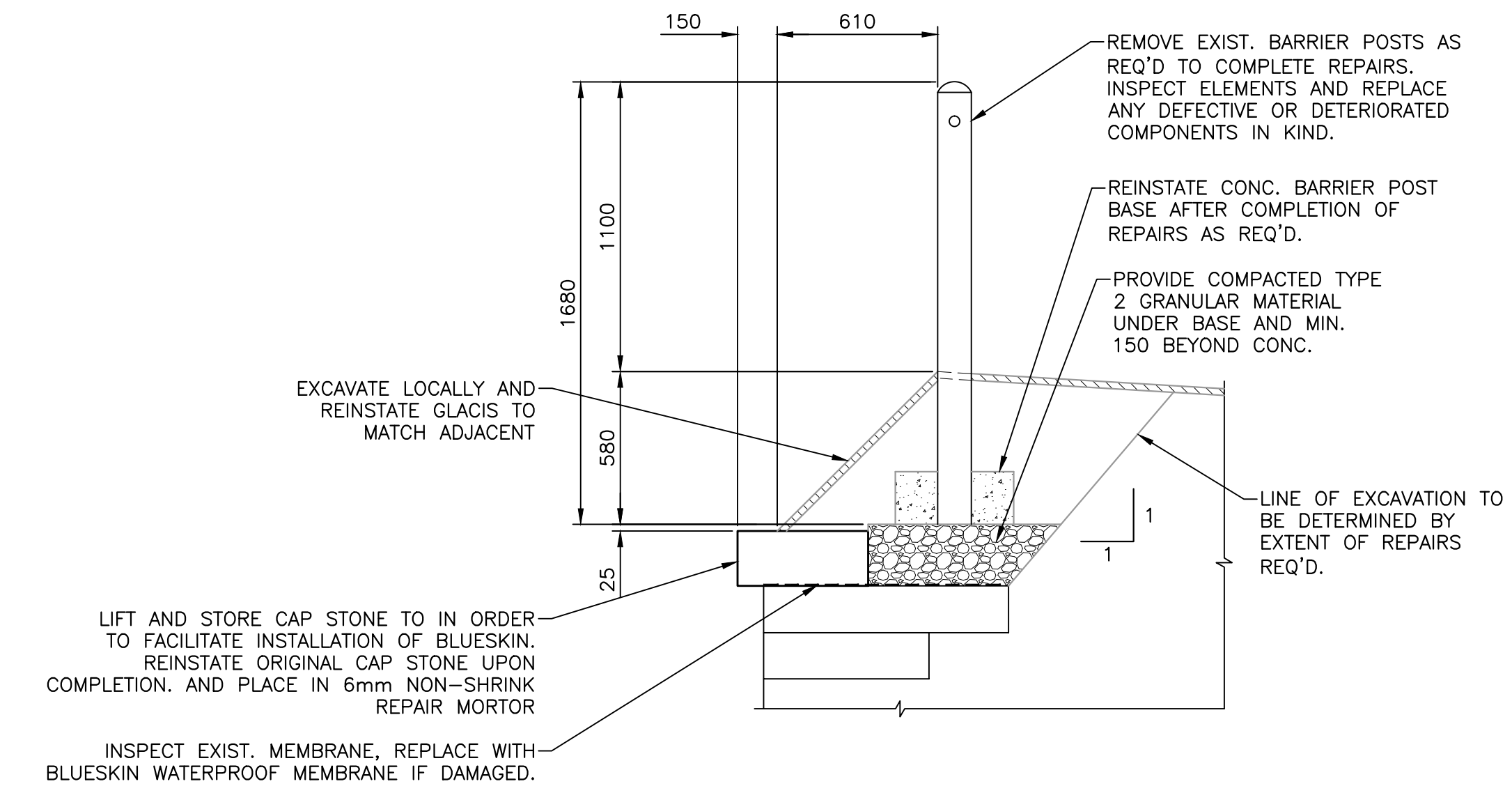
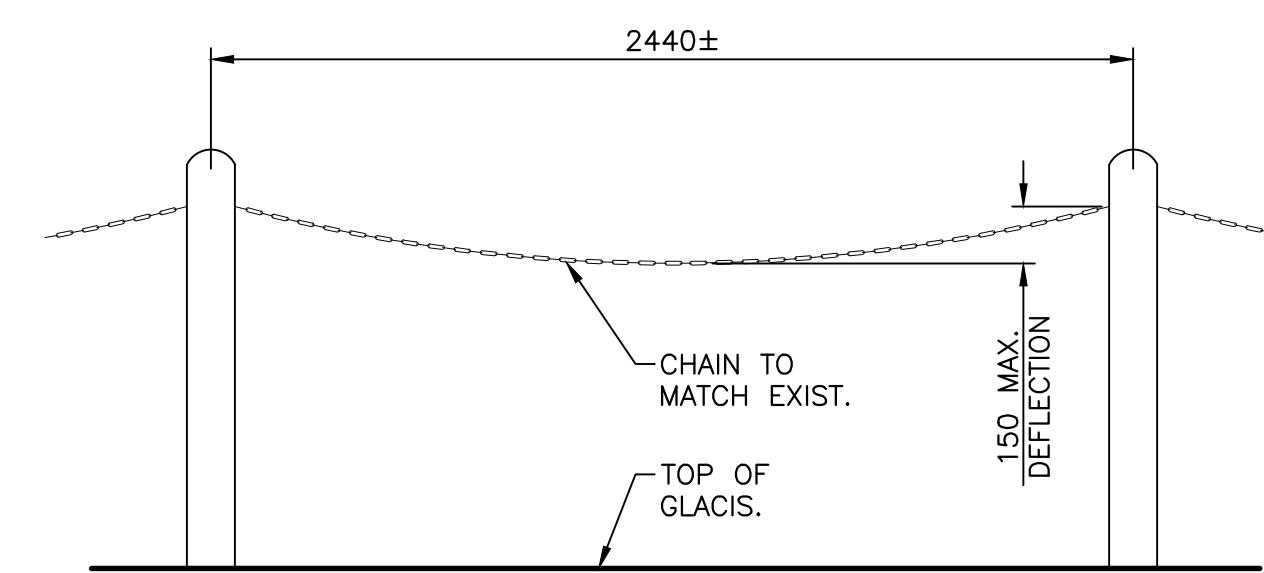
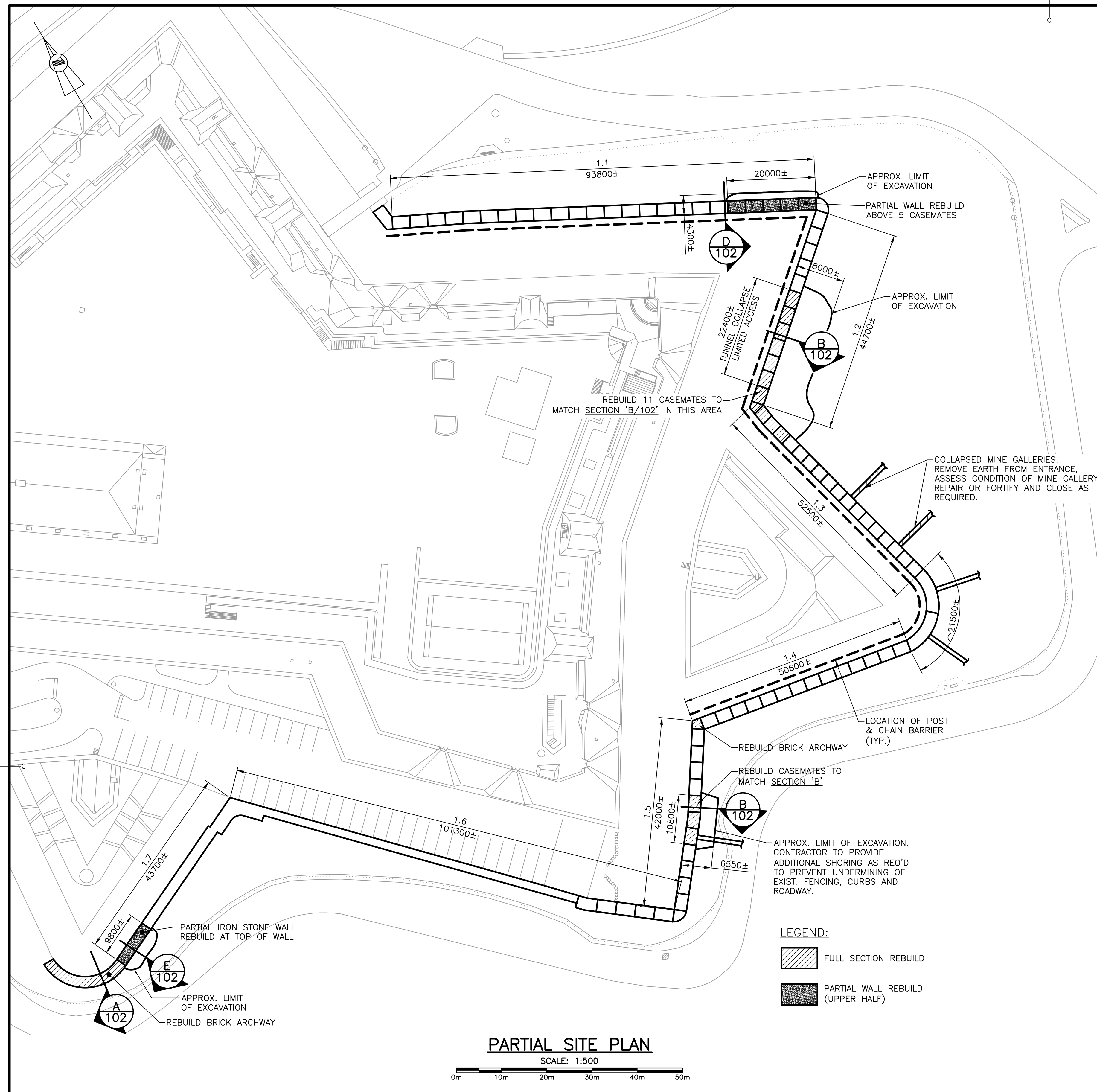
SCALE: 1:10



DETAIL: CAPSTONE REINSTATEMENT

SCALE: 1:10





- NOTES:**
- ALL DIMENSIONS SHOWN ON DRAWING ARE TO BE CONFIRMED BY CONTRACTOR.
 - ALL REPAIR RECOMMENDATIONS, METHODS, AND MATERIALS AND FINAL CONDITIONS TO BE DETERMINED BY THE DEPARTMENTAL REPRESENTATIVE UPON VERIFICATION OF EXISTING CONDITIONS.



FOR TENDER
AUG 2, 2016

0	ISSUED FOR TENDER	AUG/02/2016
revisions		date

project
HALIFAX CITADEL NATIONAL HISTORIC SITE STABILIZATION OF SOUTH FRONT MASONRY WALLS
project

drawing
AREA 1 COUNTERSCARP WALL AND MUSKET GALLERY REPAIRS
dessin

designed N.GUY/D.ARCHIBALD
conçu
date
drawn G.BOUTILIER
dessiné
date
approved N.GUY
approuvé

Tender
Submission
PWSC Project Manager Administrateur de projets TPSGC
project number no. du projet
5P301.14.0001.002

drawing no. no. du dessin
S-101

- NOTES:**
- ALL DIMENSIONS SHOWN ON DRAWING ARE TO BE CONFIRMED BY CONTRACTOR.
 - ALL REPAIR RECOMMENDATIONS, METHODS, AND MATERIALS AND FINAL CONDITIONS TO BE DETERMINED BY THE DEPARTMENTAL REPRESENTATIVE UPON VERIFICATION OF EXISTING CONDITIONS.



FOR TENDER
AUG 2, 2016

0	ISSUED FOR TENDER	AUG/02 2016
---	-------------------	-------------

revisions		date
-----------	--	------

project		projet
---------	--	--------

HALIFAX CITADEL
NATIONAL HISTORIC SITE
STABILIZATION OF
SOUTH FRONT
MASONRY WALLS

drawing		dessin
---------	--	--------

**AREA 1
COUNTERSCARP WALL
AND
MUSKET GALLERY
REPAIRS**

designed	N.GUY/D.ARCHIBALD	conçu
----------	-------------------	-------

date		
------	--	--

drawn	G.BOUTILIER	dessiné
-------	-------------	---------

date		
------	--	--

approved	N.GUY	approuvé
----------	-------	----------

date		
------	--	--

Tender		Soumission
--------	--	------------

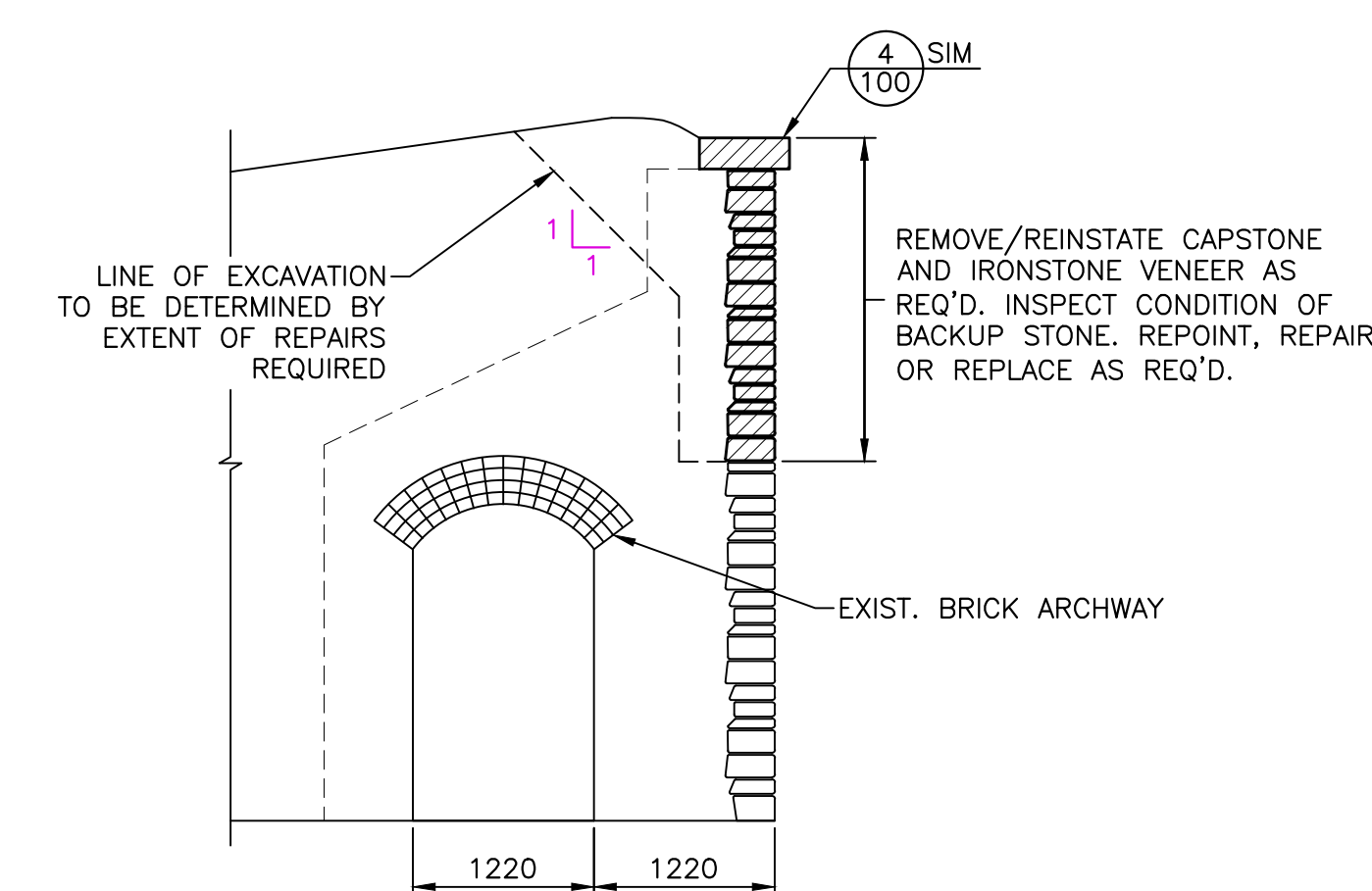
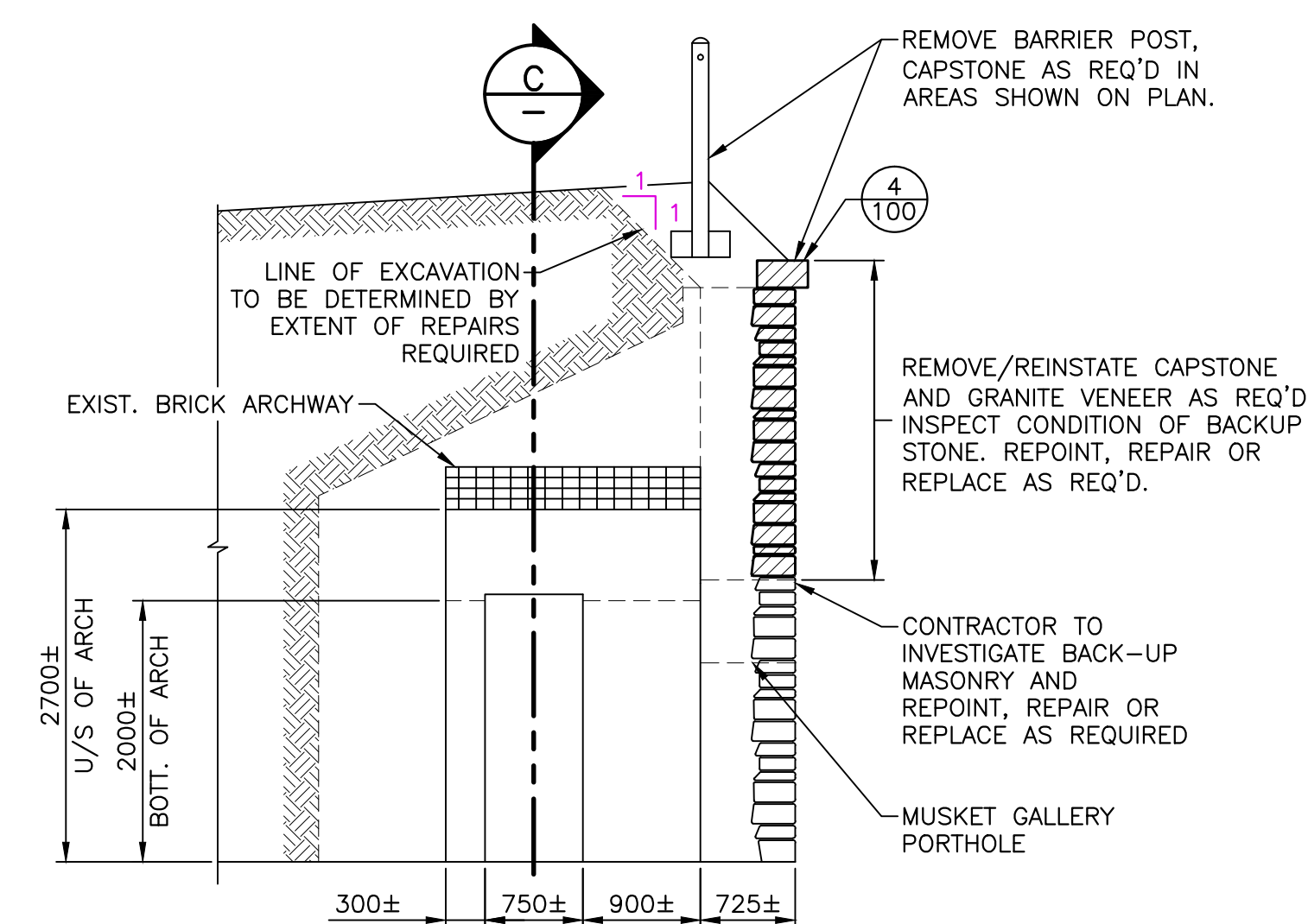
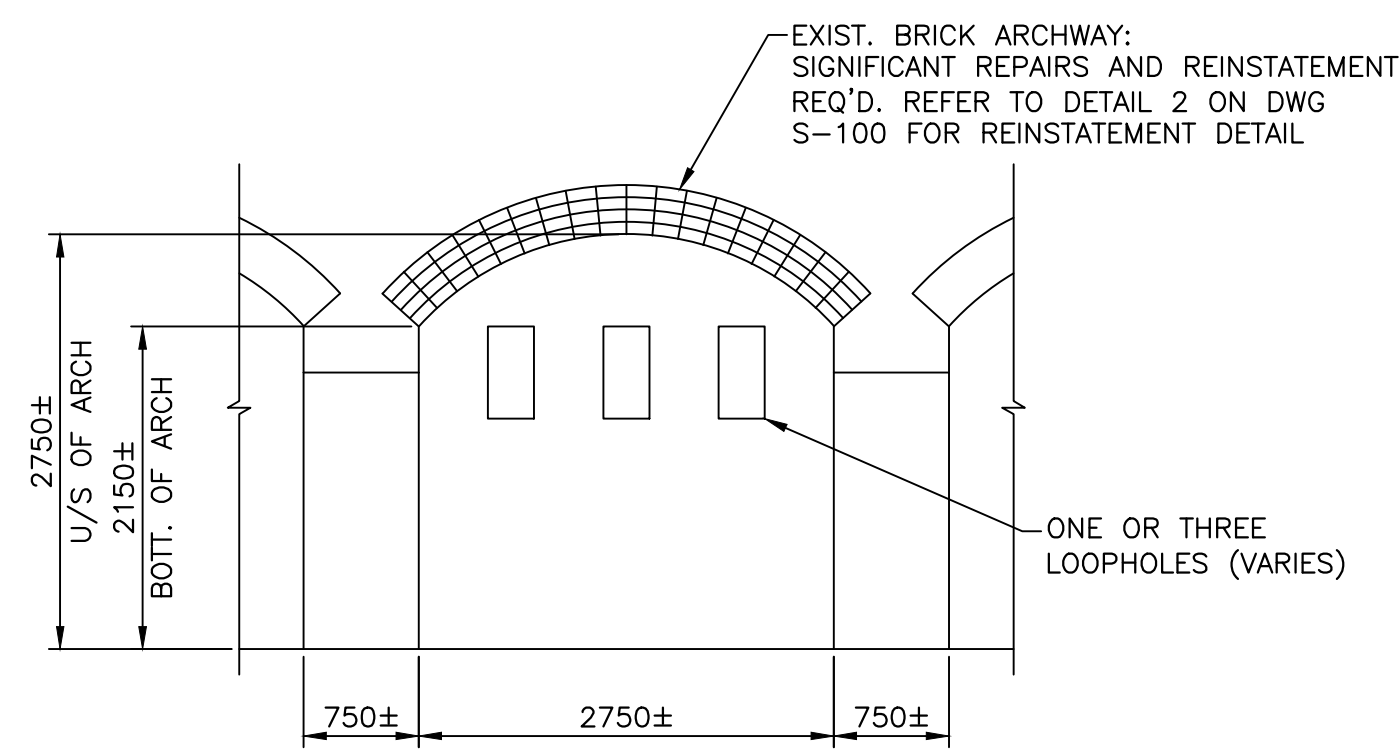
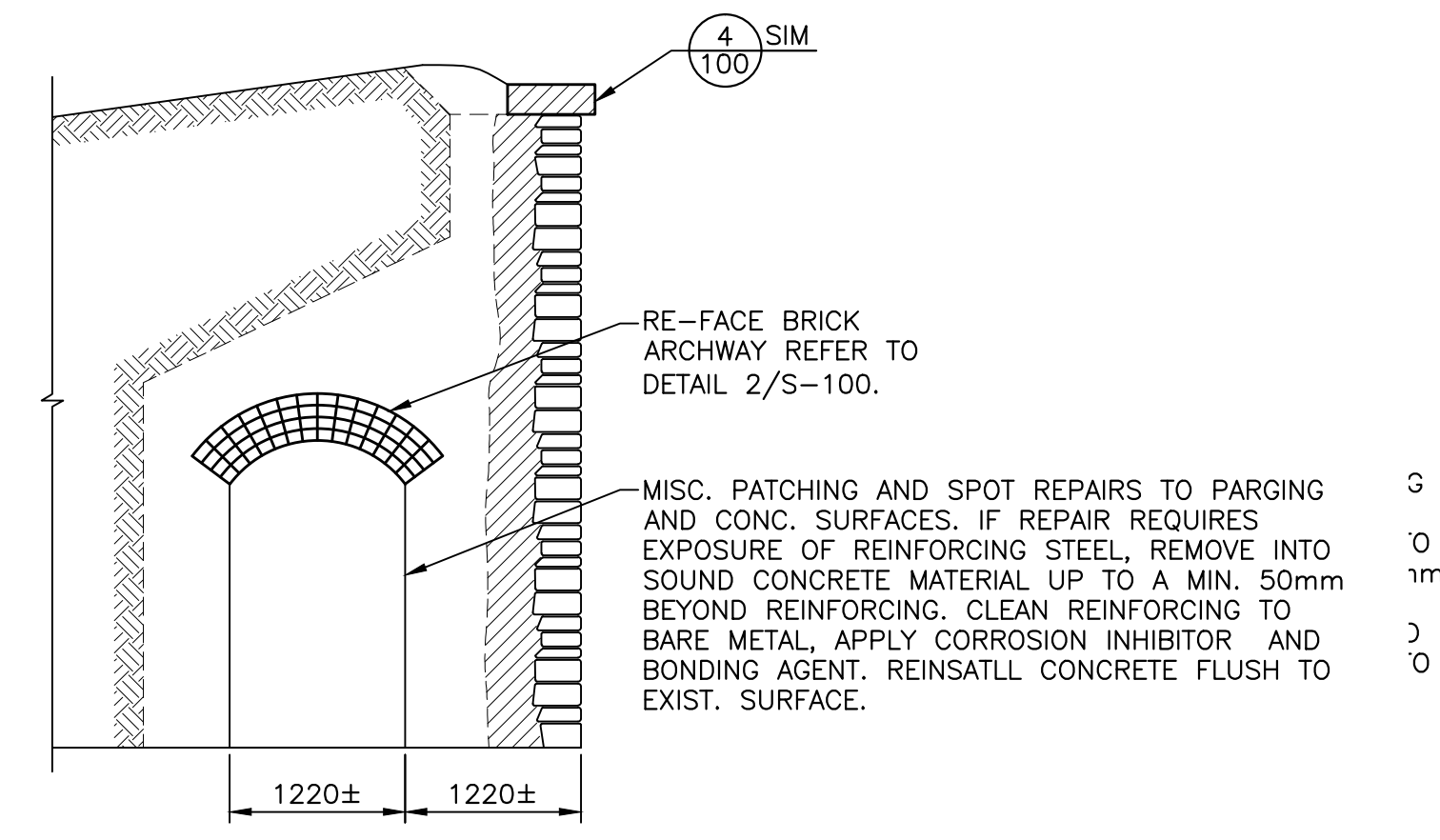
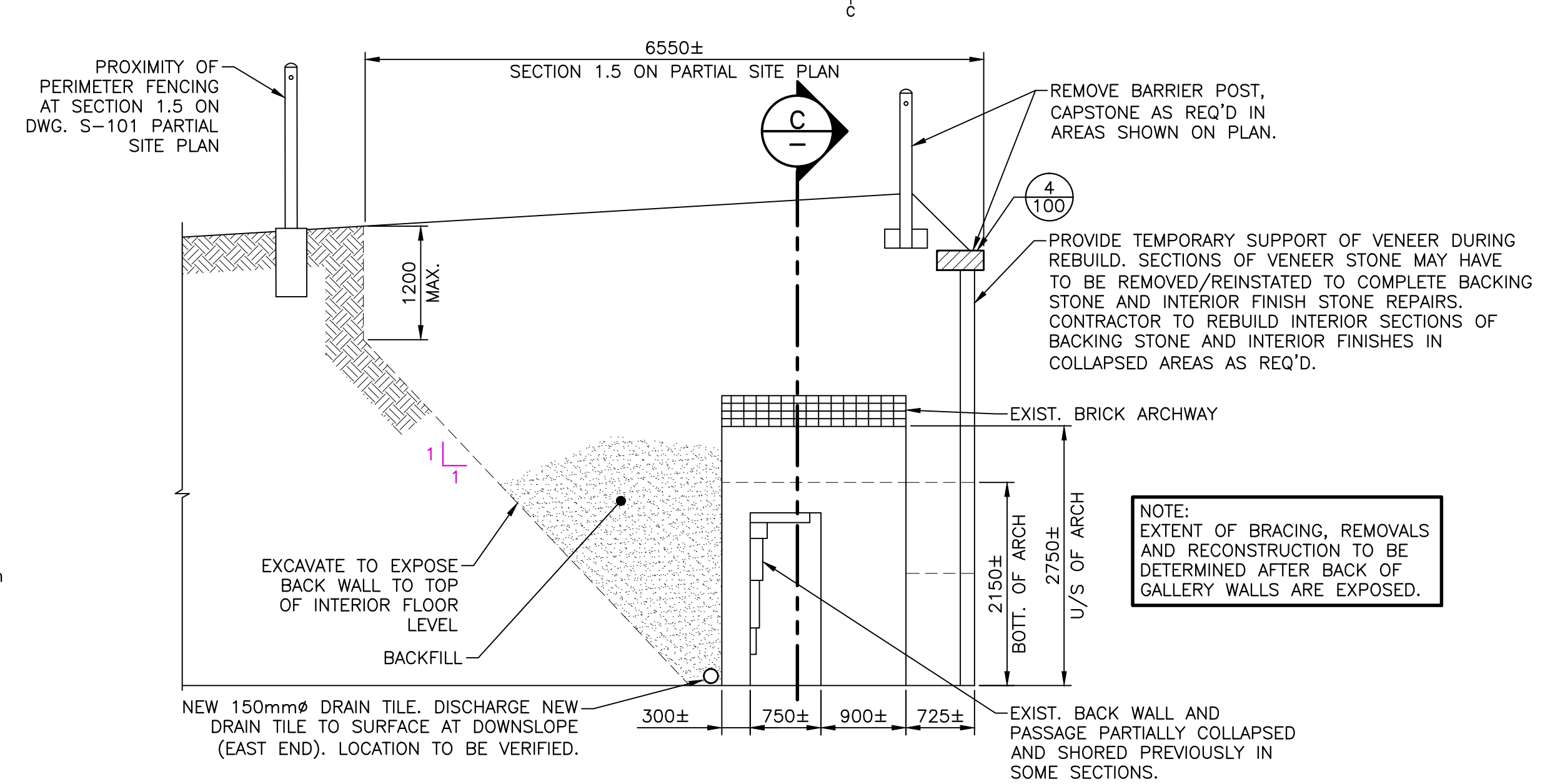
PWSC Project Manager	Administrateur de projets TPSGC	
----------------------	---------------------------------	--

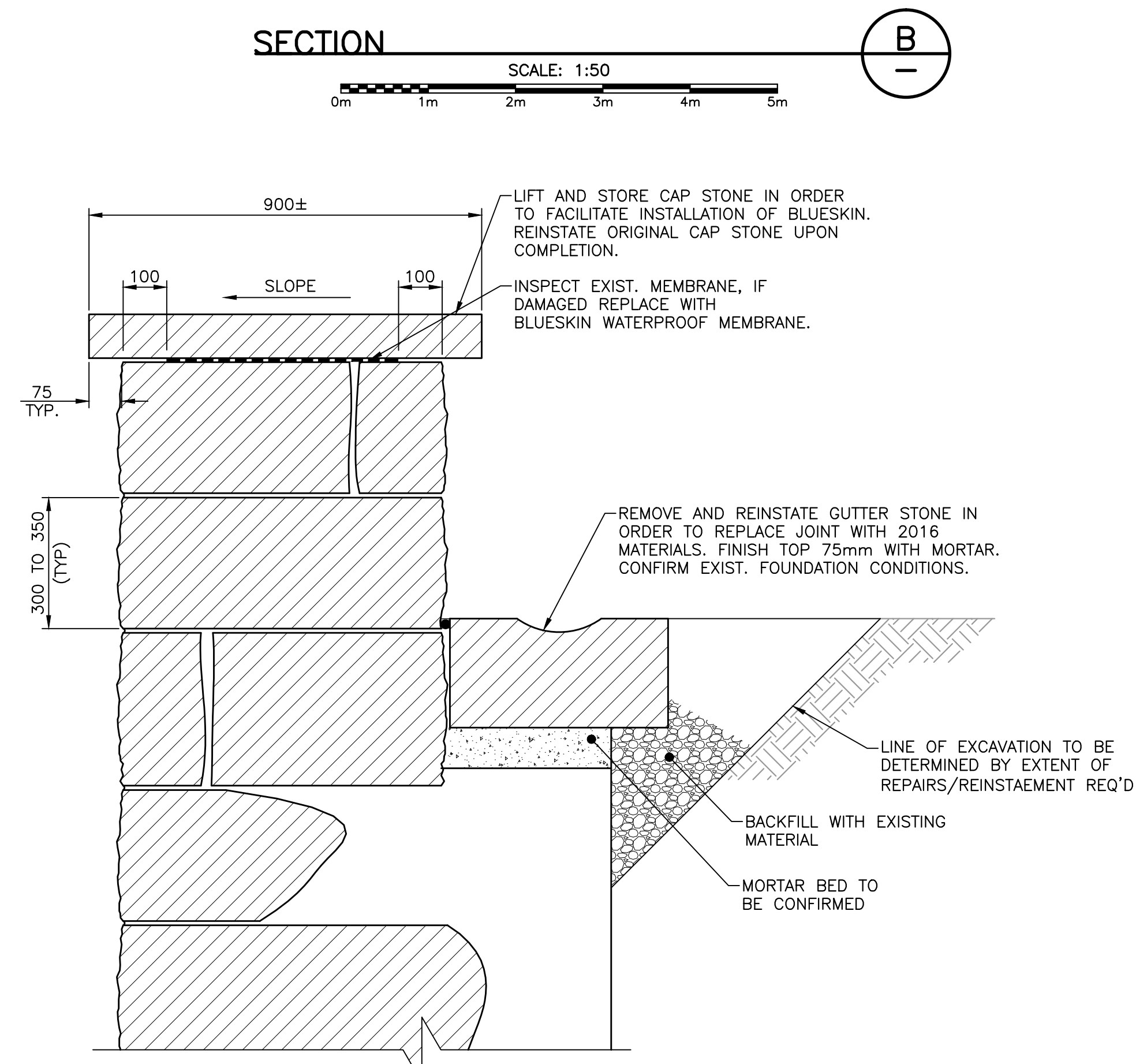
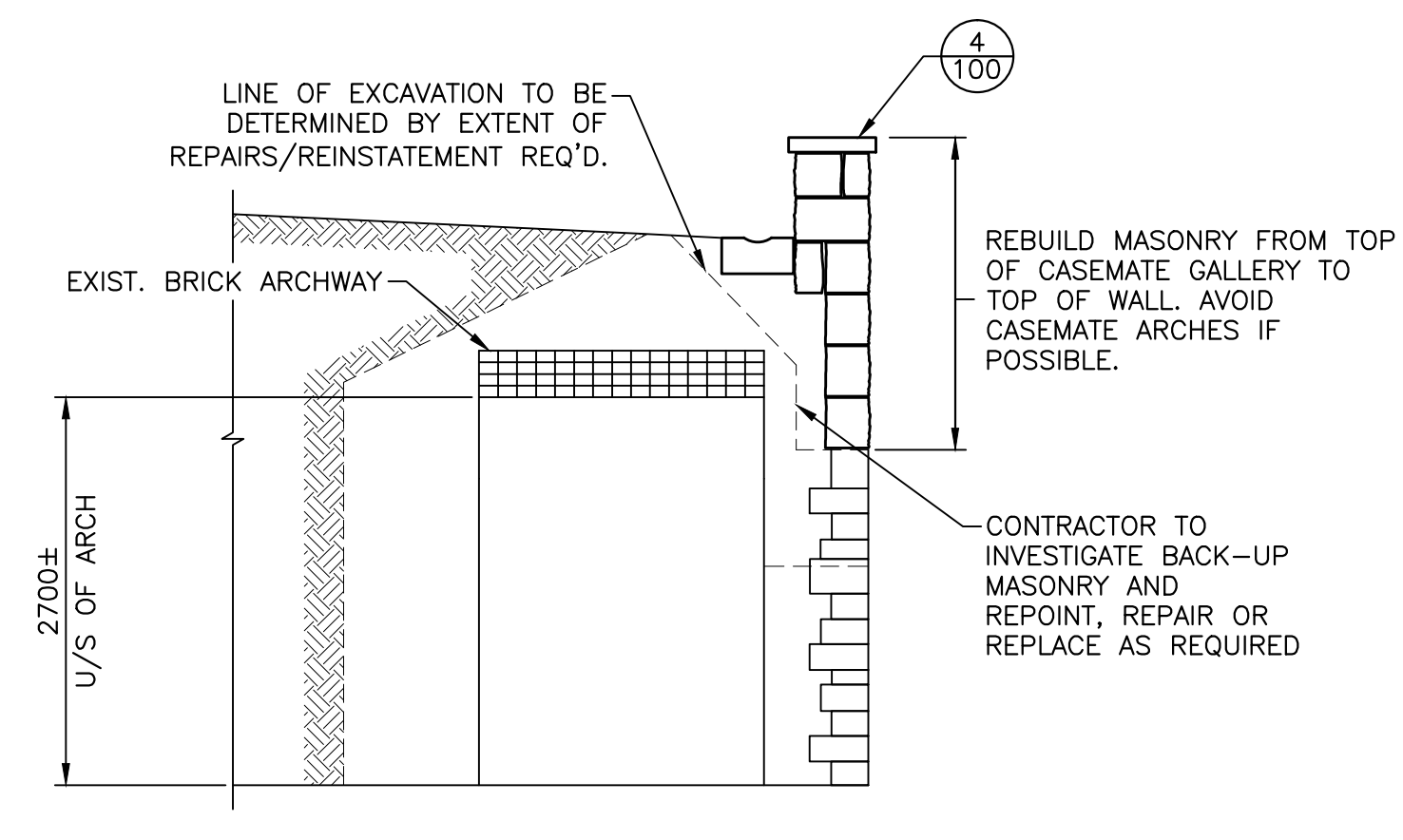
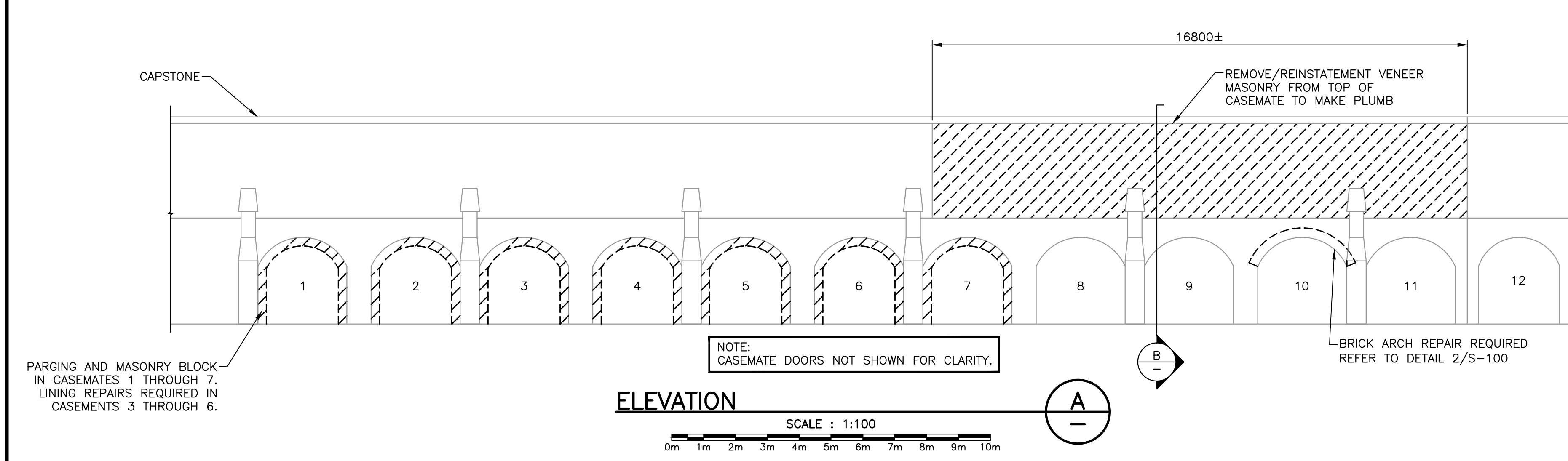
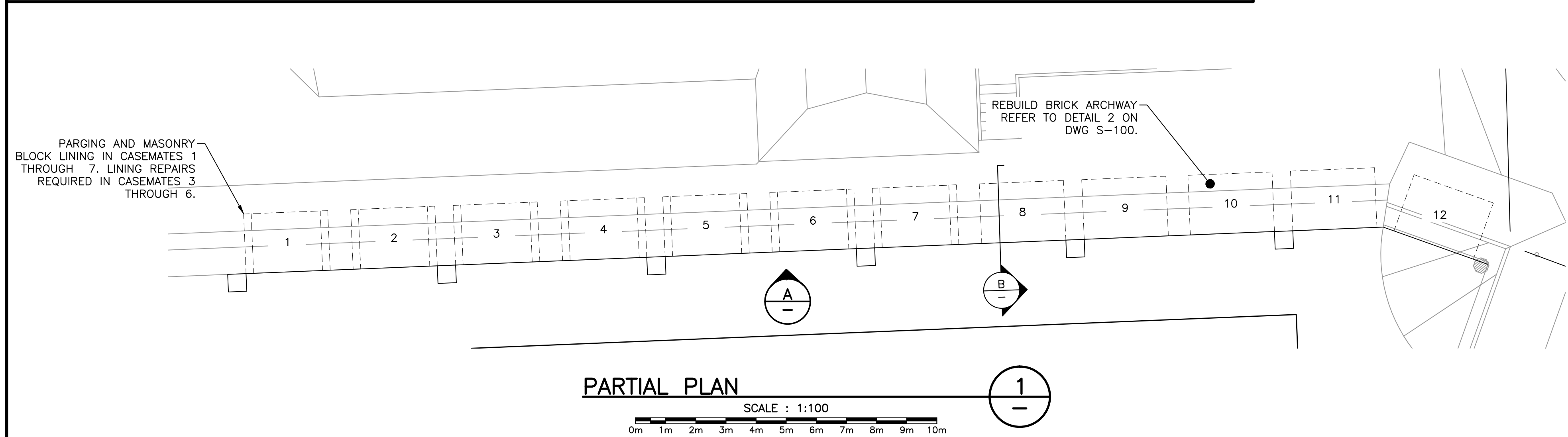
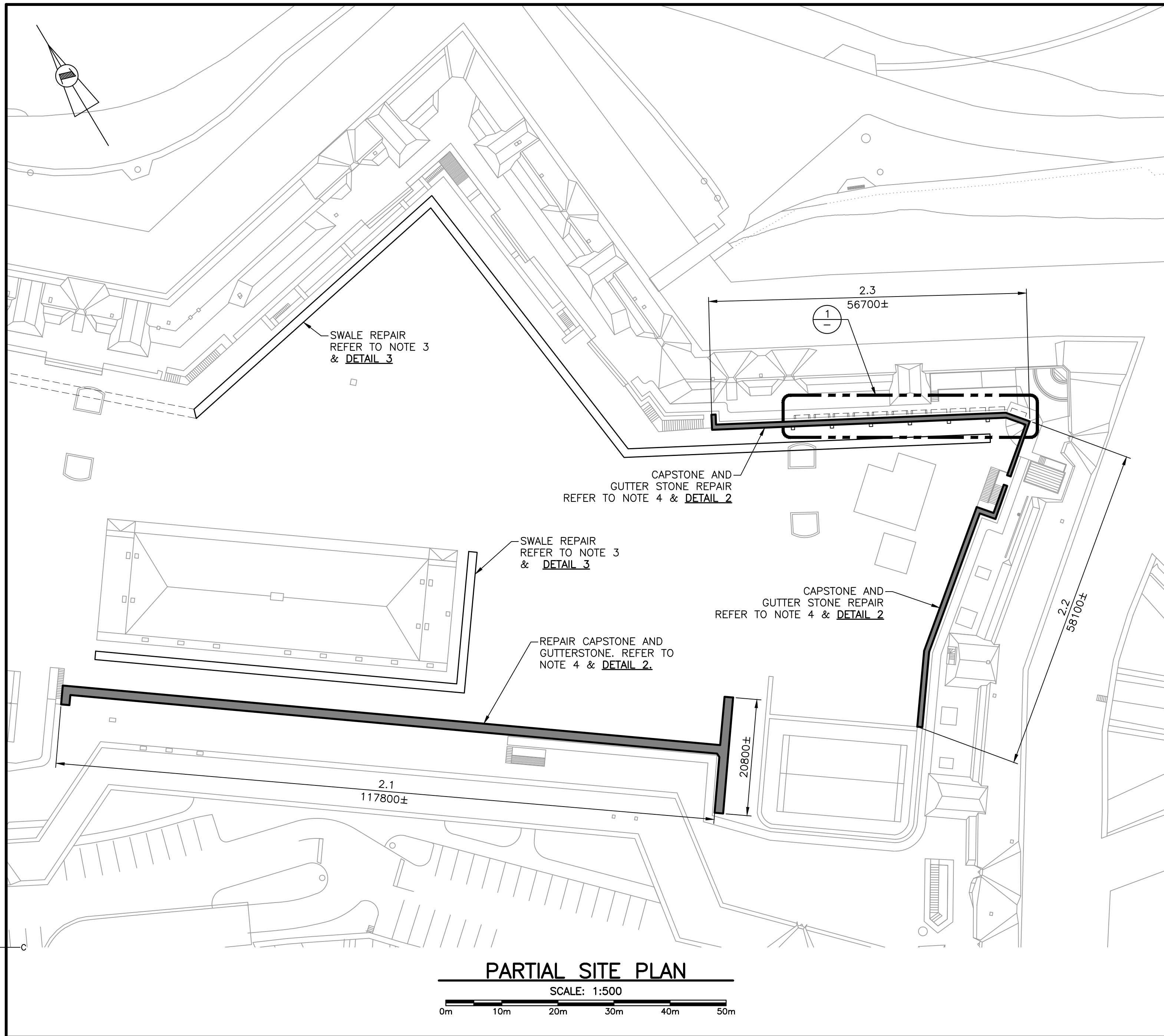
project number		no. du projet
----------------	--	---------------

5P301.14.0001.002

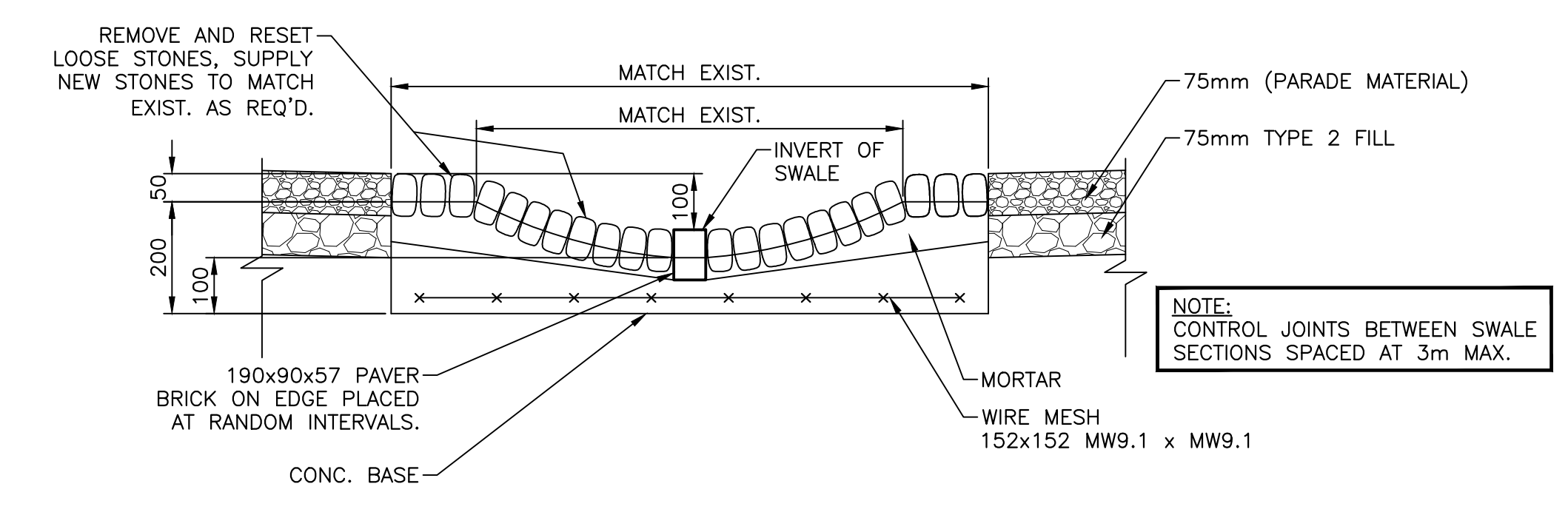
drawing no.		no. du dessin
-------------	--	---------------

S-102





DETAIL: CAPSTONE AND GUTTER REPAIR
SCALE: 1:10



DETAIL: SWALE REPAIR
SCALE: 1:10

NOTES:

1. ALL DIMENSIONS SHOWN ON DRAWING ARE TO BE CONFIRMED BY CONTRACTOR.
2. ALL REPAIR RECOMMENDATIONS, METHODS, AND MATERIALS AND FINAL CONDITIONS TO BE DETERMINED BY THE DEPARTMENTAL REPRESENTATIVE UPON VERIFICATION OF EXISTING CONDITIONS.
3. REMOVE/RESET LOOSE SECTIONS OF STONE AND MORTAR. INSPECT CONCRETE BASE AND REPLACE COMPONENTS AS PER DETAIL 3, AS REQ'D.
4. INVESTIGATE PERFORMANCE OF MORTAR BED AND WATERPROOFING BY SELECTIVE REMOVAL, INSPECTION AND REPAIR AS PER DETAIL 2 AS REQ'D OR IF PERFORMANCE CAN NOT BE VERIFIED.

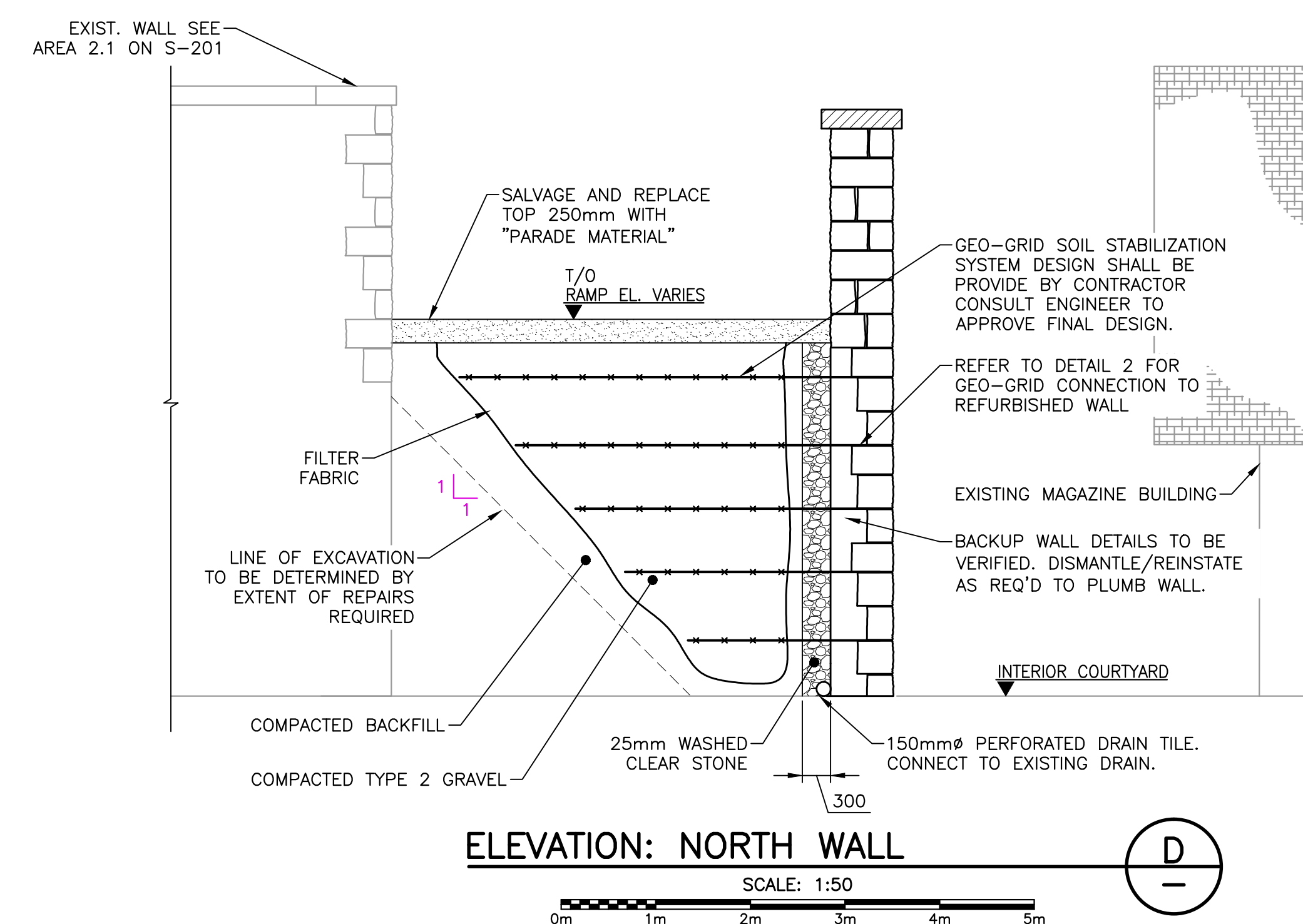
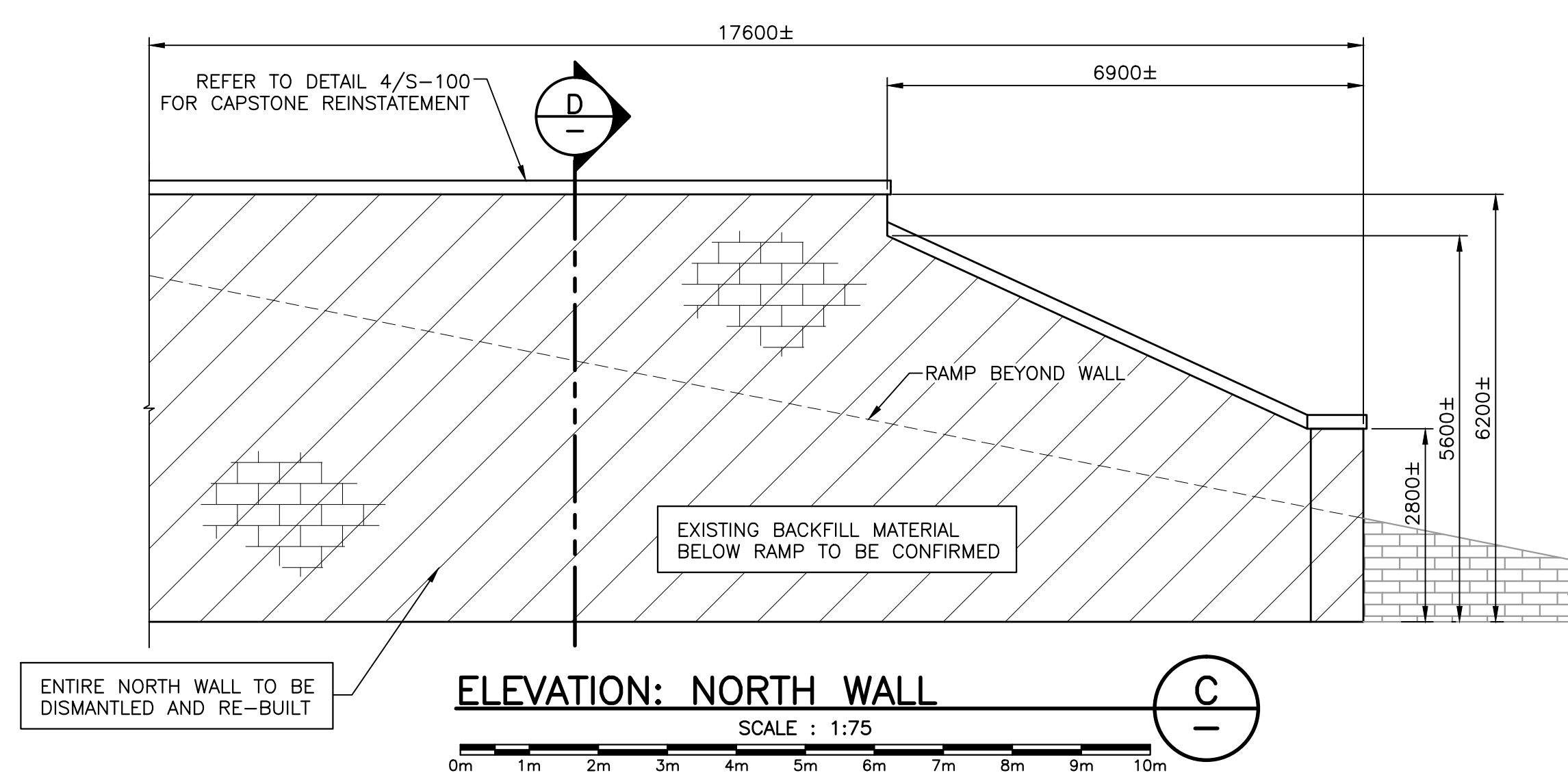
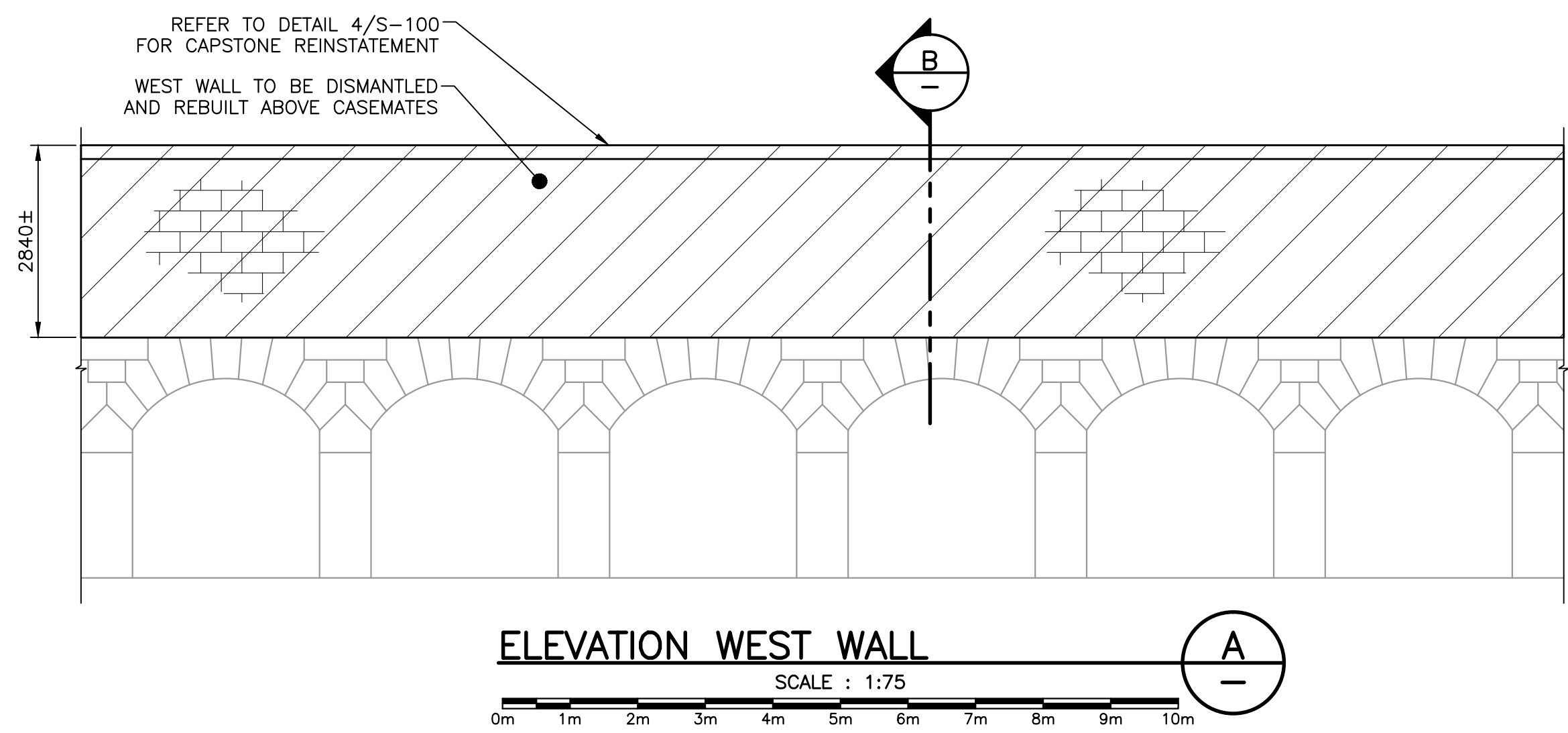
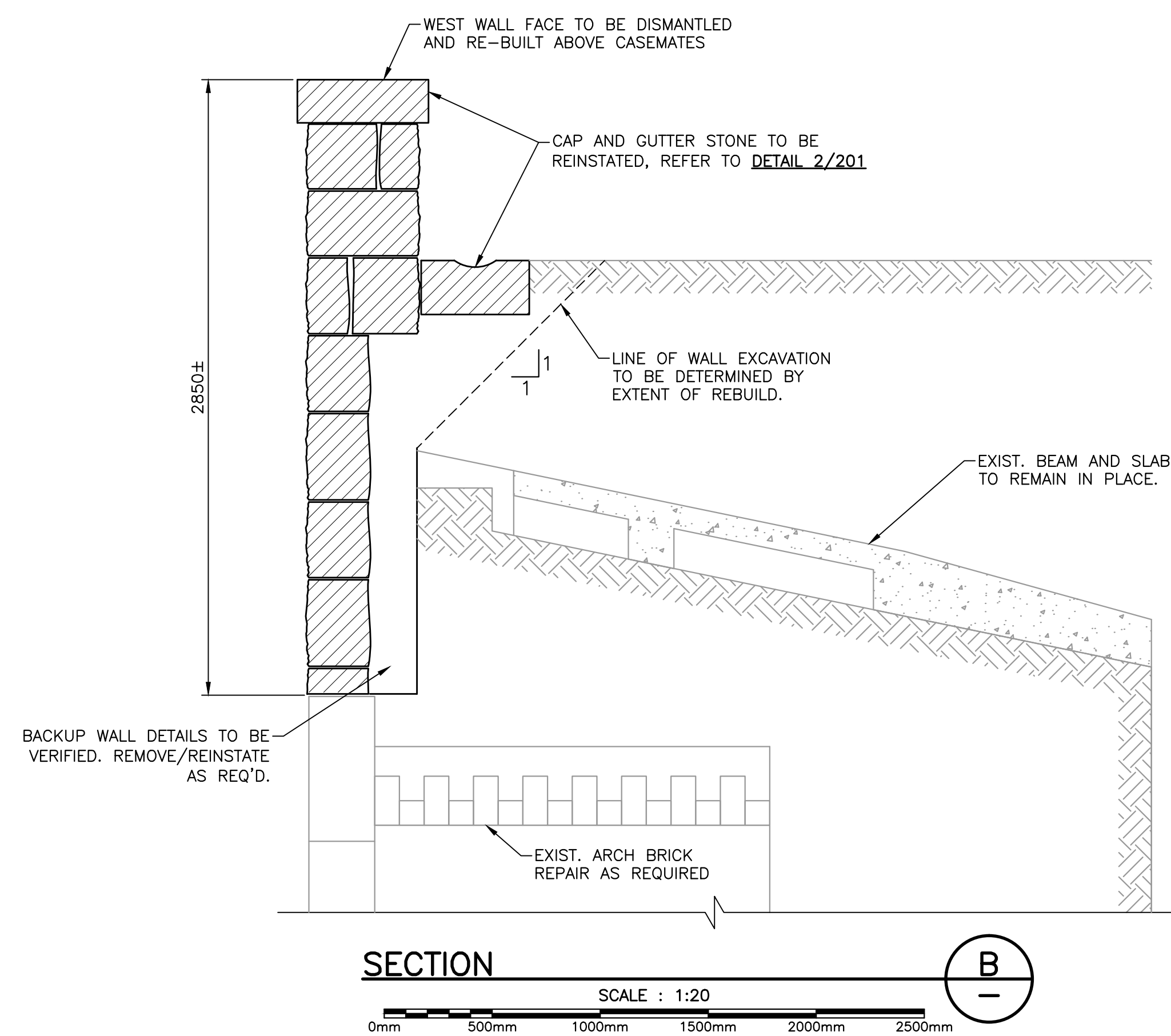
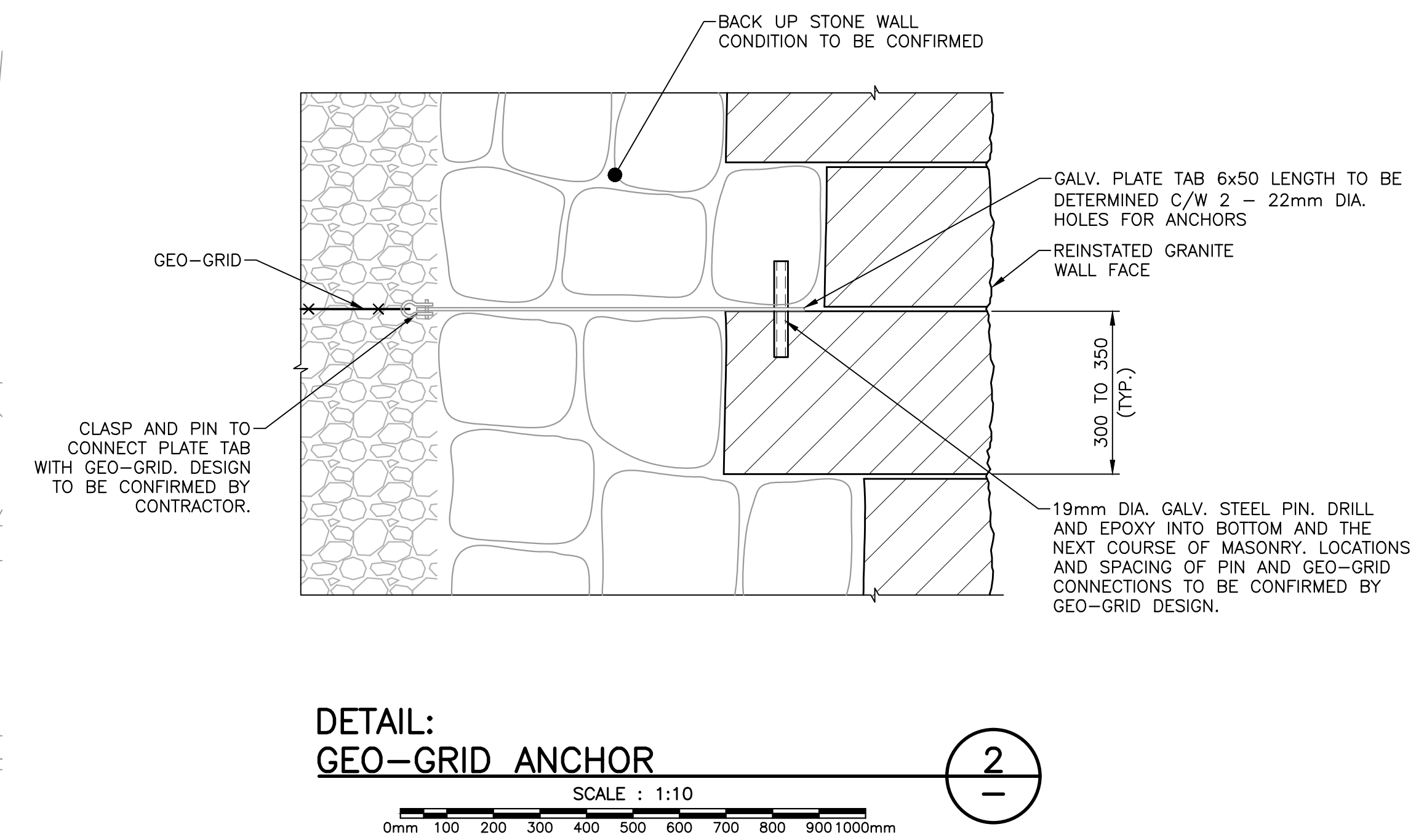
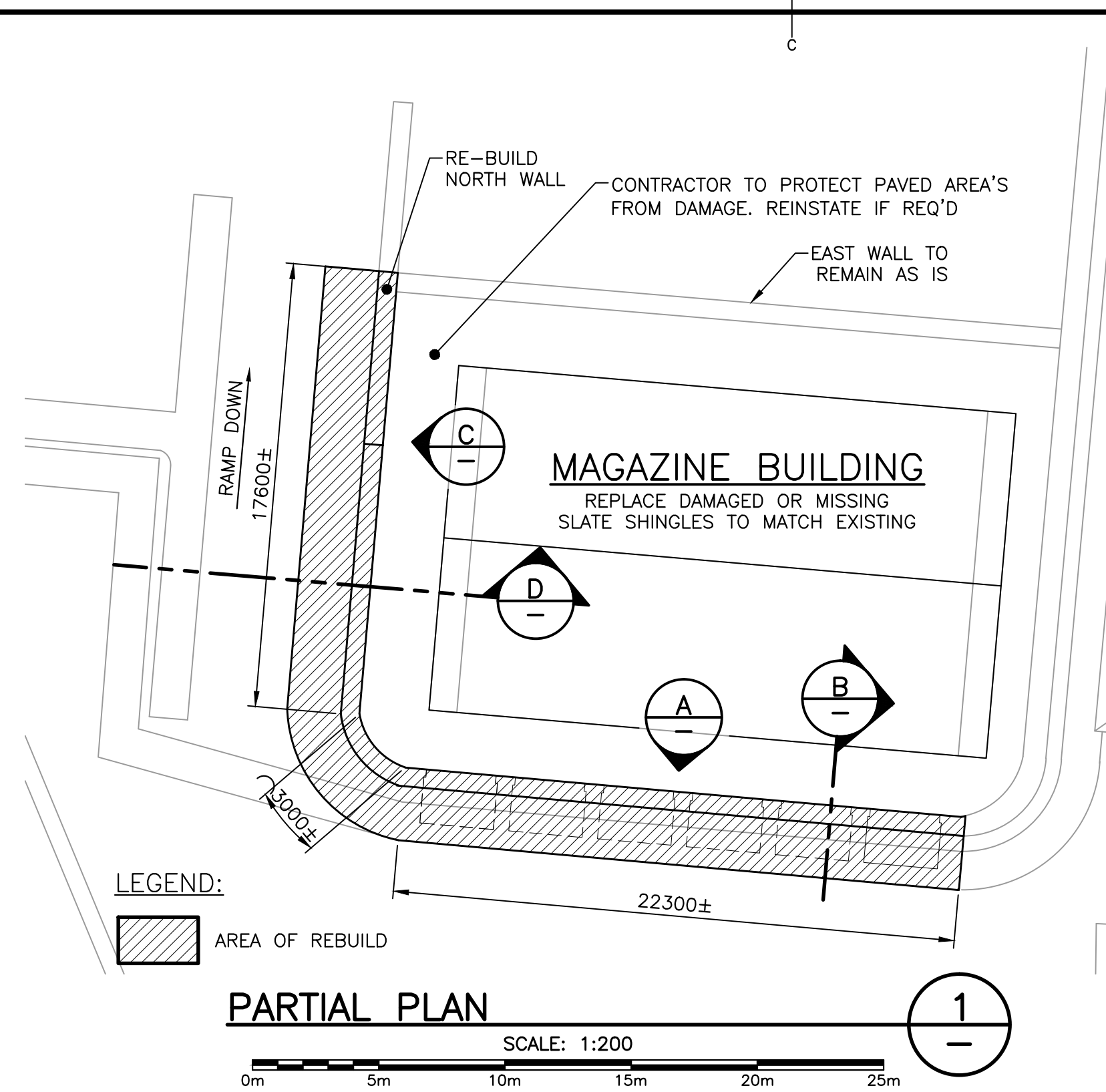
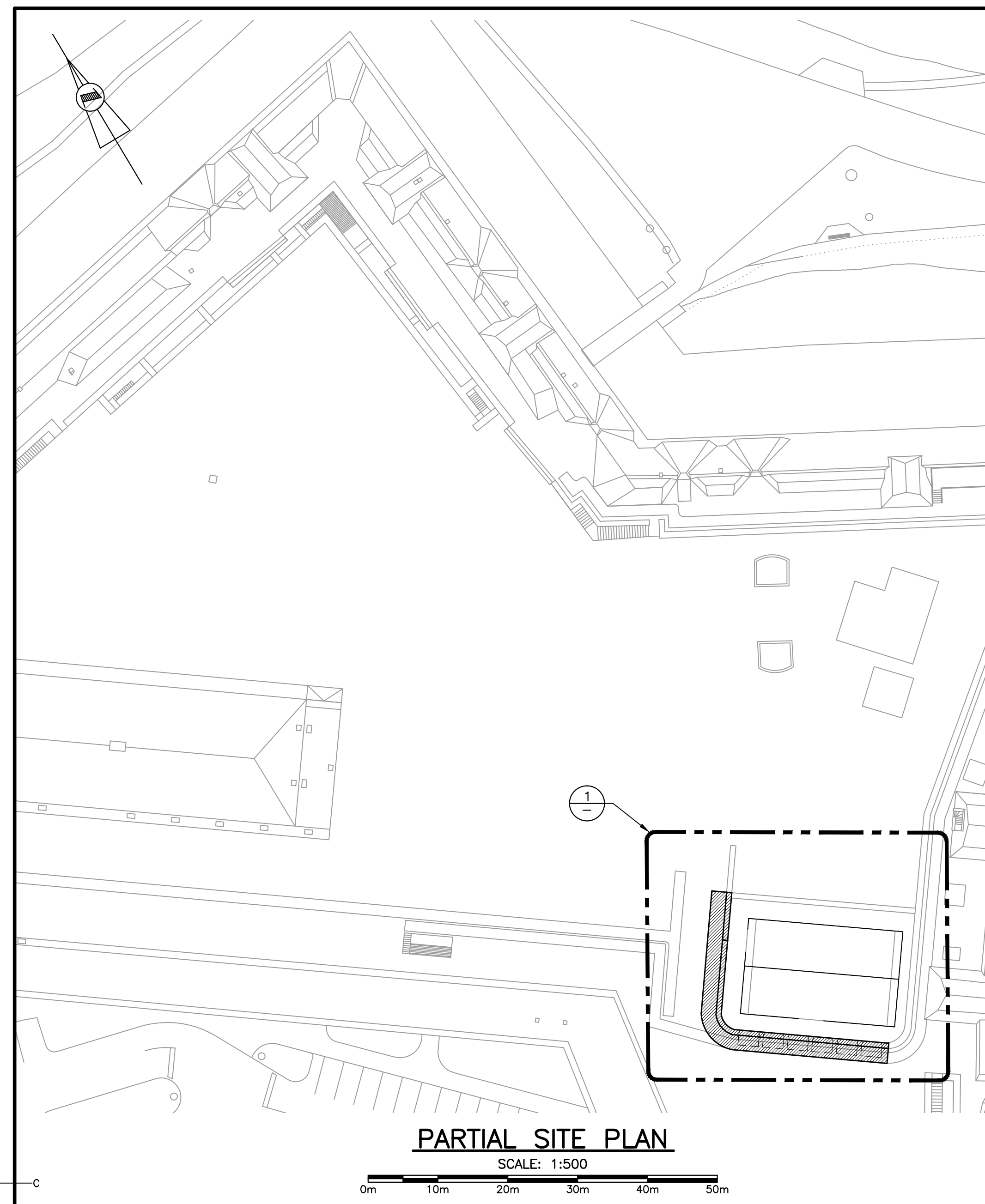


FOR TENDER
Aug. 2, 2016

0	ISSUED FOR TENDER	Aug/02/2016
revisions		date
project	HALIFAX CITADEL NATIONAL HISTORIC SITE STABILIZATION OF SOUTH FRONT MASONRY WALLS	project

AREA 2 SOUTH INTERIOR COURTYARD WALLS REPAIRS

designed	N.GUY/D.ARCHIBALD	congr
date		
drawn	G.BOUTILIER	dessiné
date		
approved	N.GUY	approuvé
date		
Tender		Soumission
PWSC Project Manager	Administrateur de projets TPSGC	
project number	no. du projet	
5P301.14.0001.002		
drawing no.	no. du dessin	
S-201		



- NOTES:**
- ALL DIMENSIONS SHOWN ON DRAWING ARE TO BE CONFIRMED BY CONTRACTOR.
 - ALL REPAIR RECOMMENDATIONS, METHODS, AND MATERIALS AND FINAL CONDITIONS TO BE DETERMINED BY THE DEPARTMENTAL REPRESENTATIVE UPON VERIFICATION OF EXISTING CONDITIONS.



FOR TENDER
Aug. 2, 2016

0	ISSUED FOR TENDER	AUG/02/2016
revisions		date

project **HALIFAX CITADEL NATIONAL HISTORIC SITE STABILIZATION OF SOUTH FRONT MASONRY WALLS** project

drawing **AREA 3 SOUTH MAGAZINE REPAIRS** dessin

designed N.GUY/D.ARCHIBALD conçu

date

drawn G.BOUTILIER dessiné

date

approved N.GUY approuvé

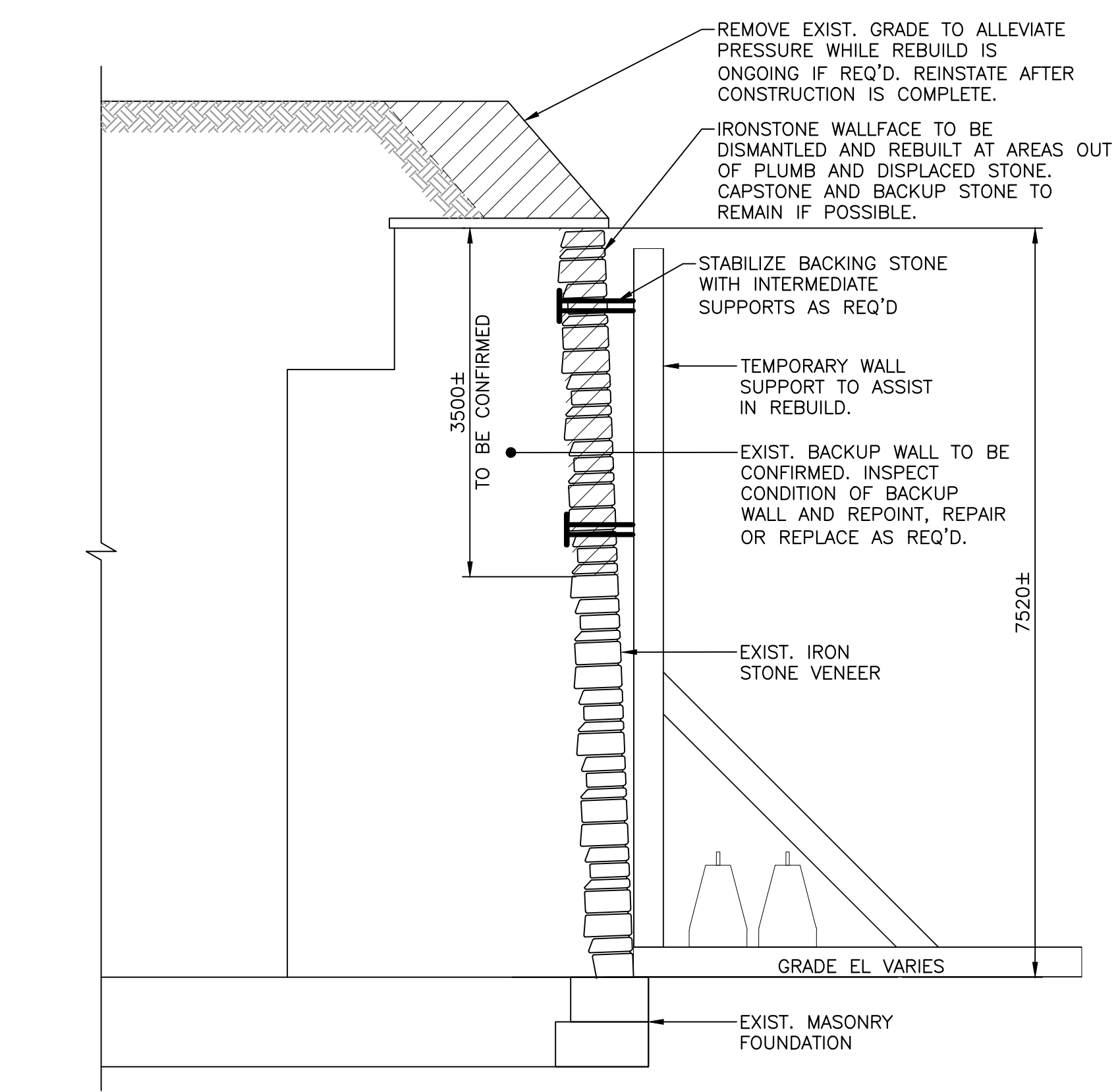
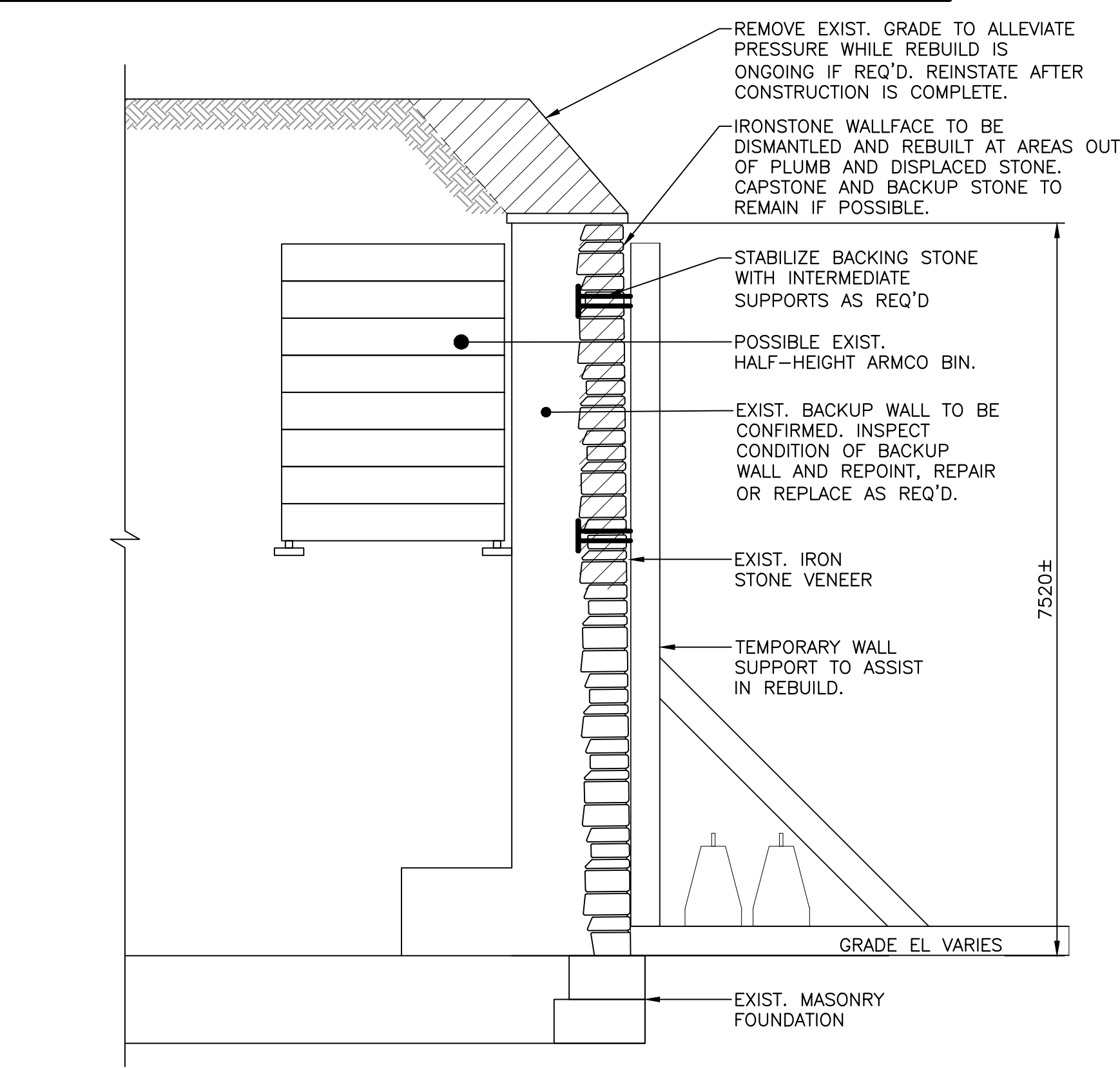
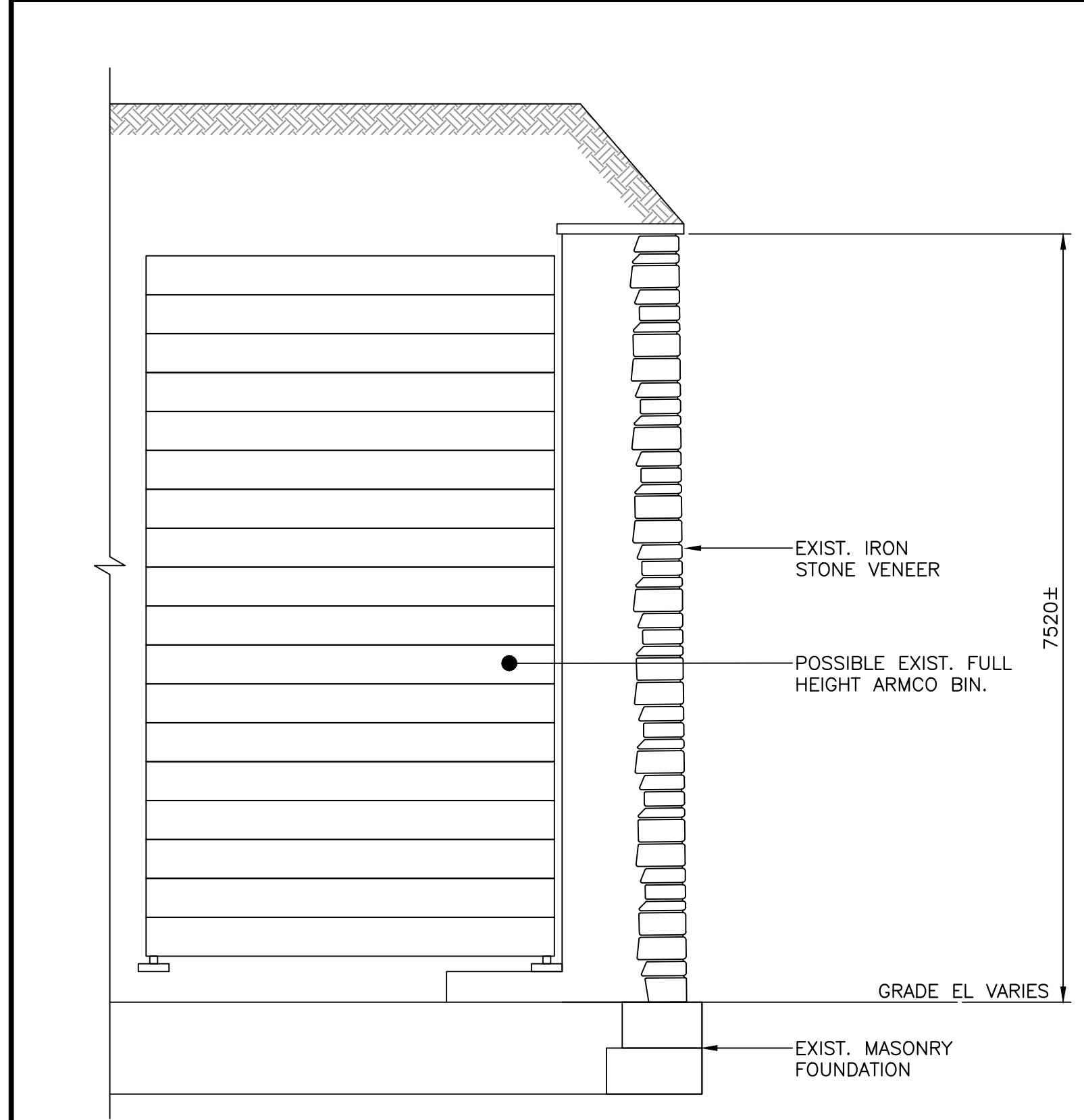
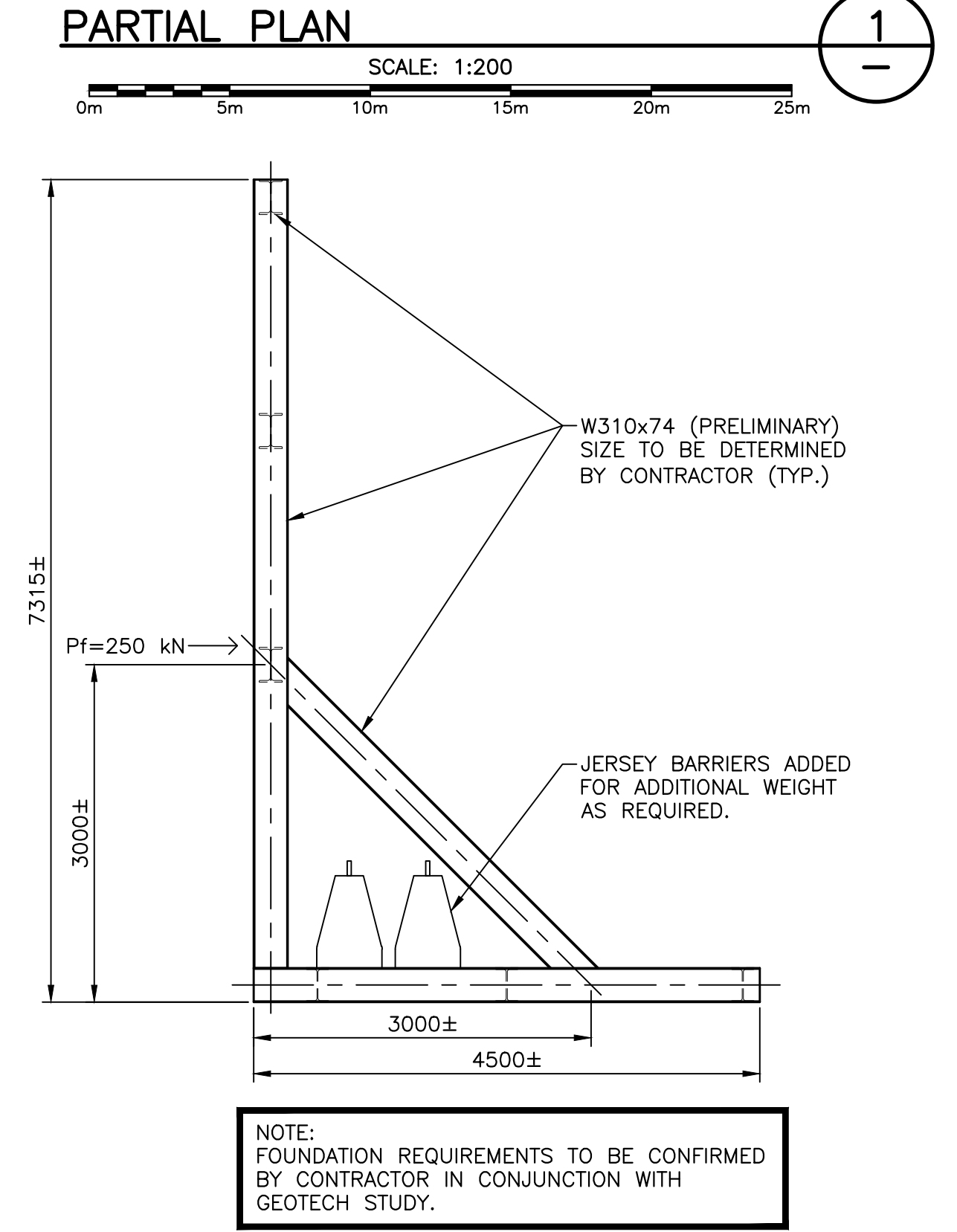
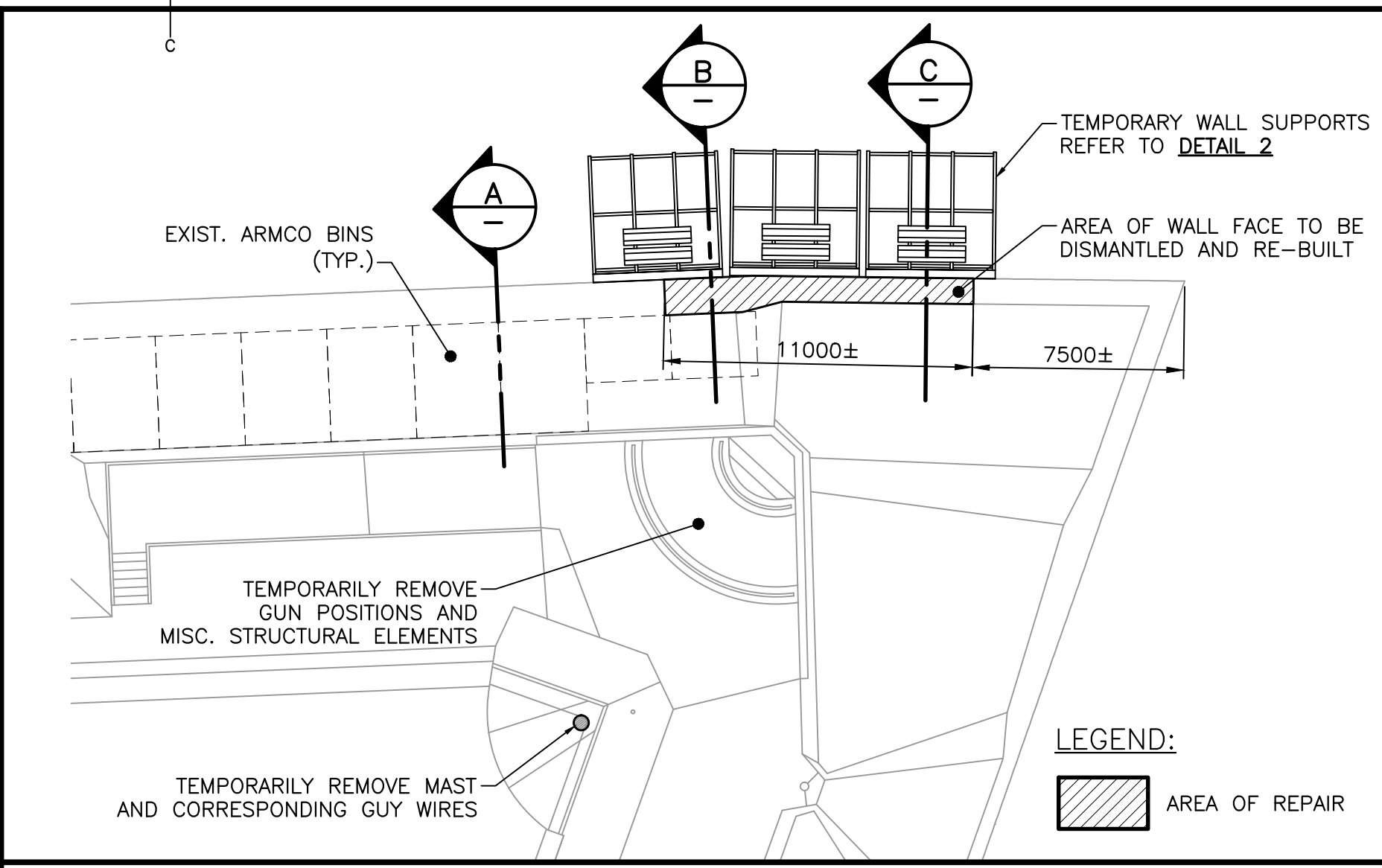
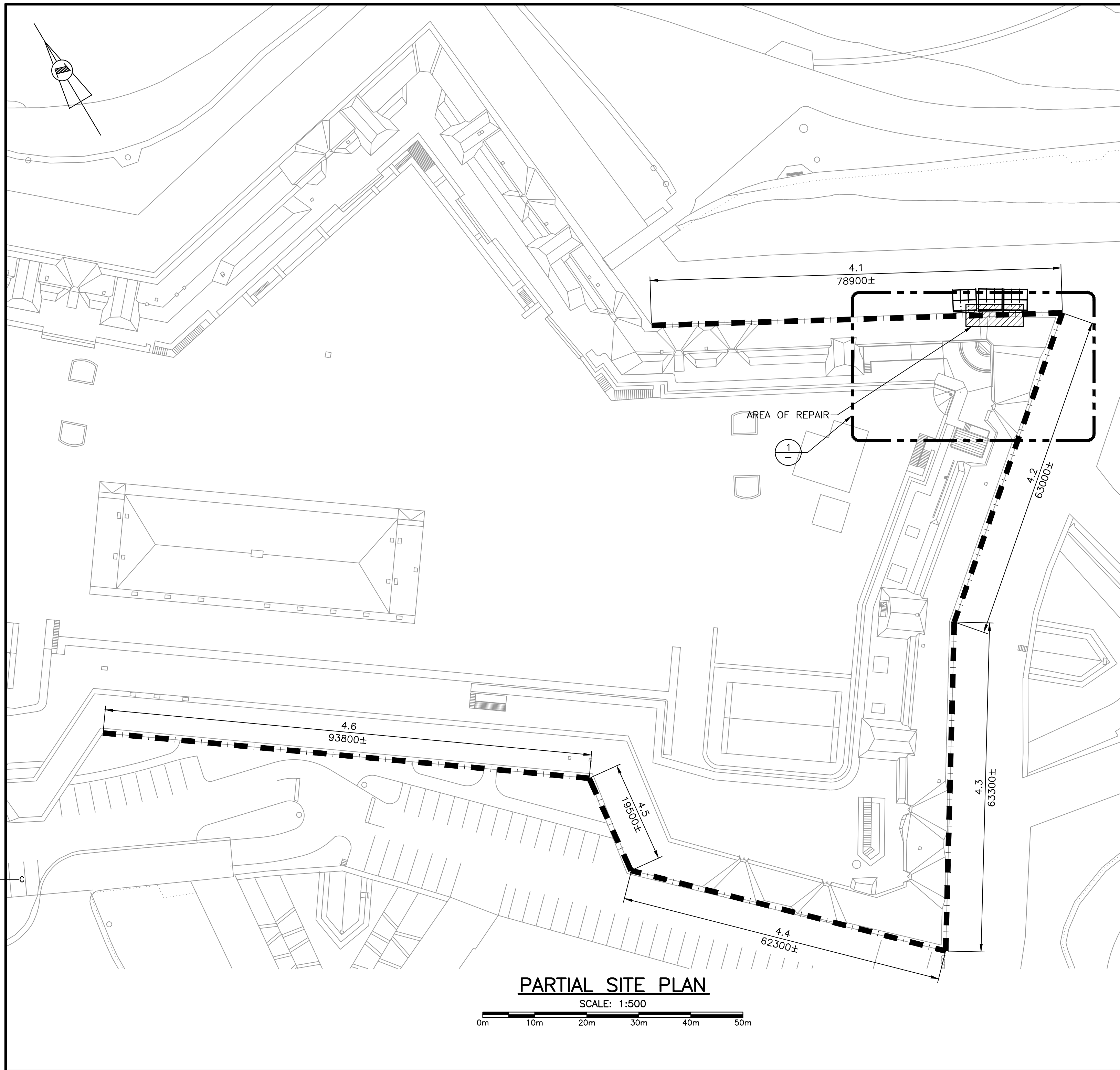
date

Tender Soumission

PWSC Project Manager Administrateur de projets TPSGC

project number **5P301.14.0001.002** no. du projet

drawing no. **S-301** no. du dessin



- NOTES:**
- ALL DIMENSIONS SHOWN ON DRAWING ARE TO BE CONFIRMED BY CONTRACTOR.
 - ALL REPAIR RECOMMENDATIONS, METHODS, AND MATERIALS AND FINAL CONDITIONS TO BE DETERMINED BY THE DEPARTMENTAL REPRESENTATIVE UPON VERIFICATION OF EXISTING CONDITIONS.

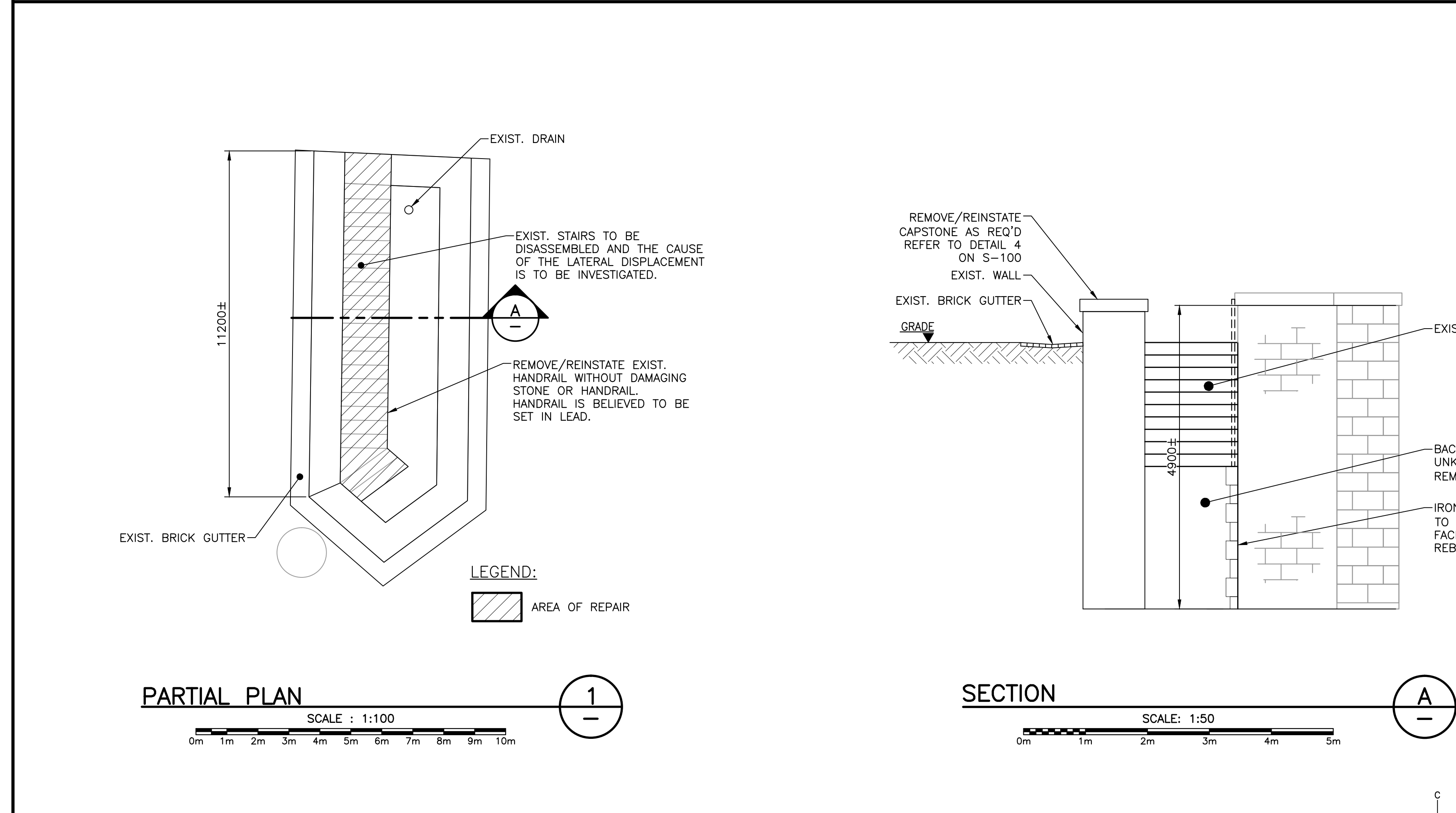
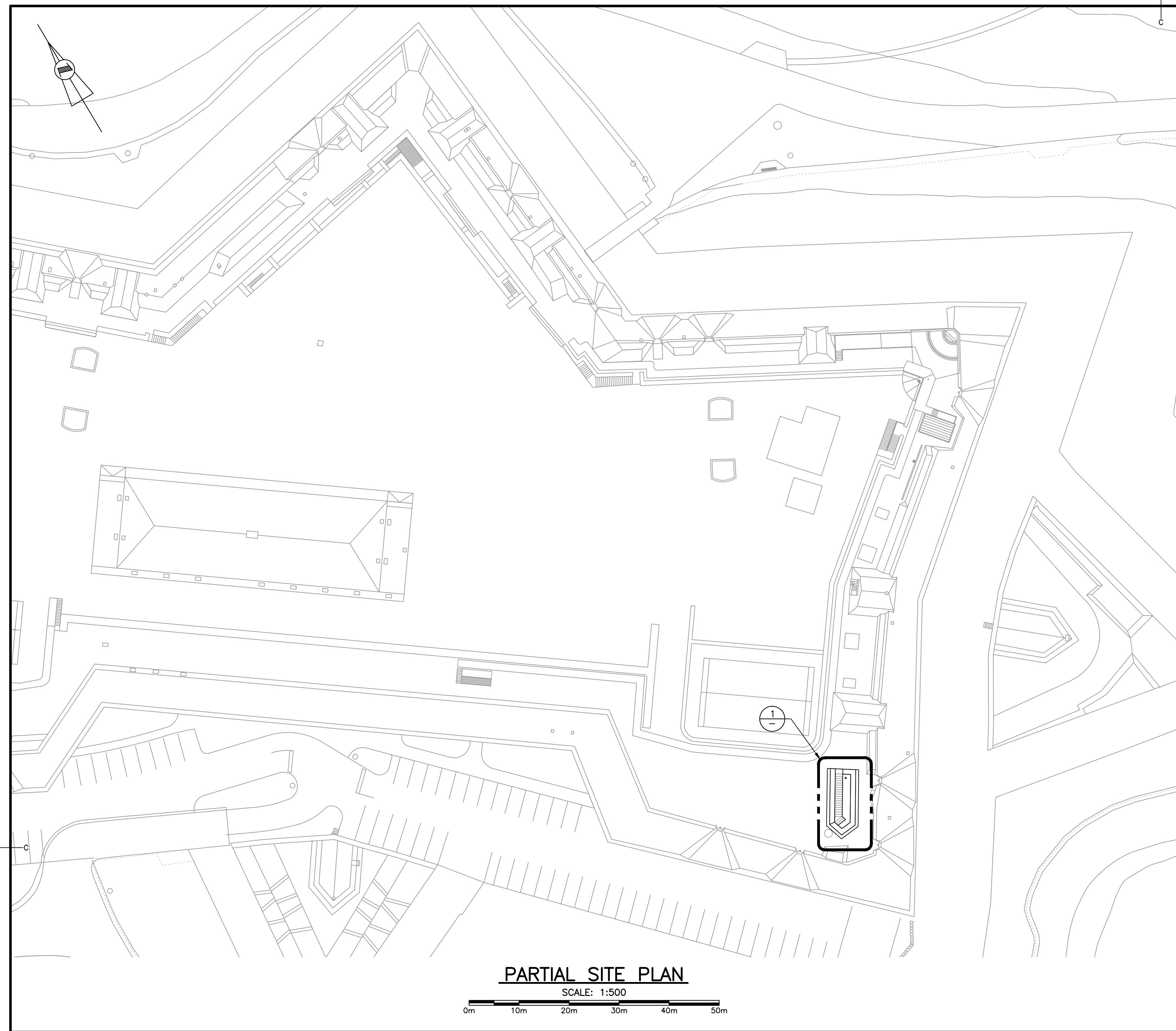


FOR TENDER
Aug. 2, 2016

0	ISSUED FOR TENDER	AUG/02/2016
revisions		date
project	HALIFAX CITADEL NATIONAL HISTORIC SITE STABILIZATION OF SOUTH FRONT MASONRY WALLS	

AREA 4 ESCARP WALL REPAIRS

designed	N.GUY/D.ARCHIBALD	conçu
date		
drawn	G.BOUTILIER	dessiné
date		
approved	N.GUY	approuvé
date		
Tender	Soumission	
PWSC Project Manager	Administrateur de projets TPSGC	
project number	5P301.14.0001.002	no. du projet
drawing no.	S-401	no. du dessin



- NOTES:**
1. ALL DIMENSIONS SHOWN ON DRAWING ARE TO BE CONFIRMED BY CONTRACTOR.
 2. ALL REPAIR RECOMMENDATIONS, METHODS, AND MATERIALS AND FINAL CONDITIONS TO BE DETERMINED BY THE DEPARTMENTAL REPRESENTATIVE UPON VERIFICATION OF EXISTING CONDITIONS.



FOR TENDER
AUG. 2, 2016

0	ISSUED FOR TENDER	AUG/02 2016
---	-------------------	-------------

revisions: _____ date: _____
project: _____ projet: _____

**HALIFAX CITADEL
NATIONAL HISTORIC SITE
STABILIZATION OF
SOUTH FRONT
MASONRY WALLS**

drawing: _____ dessin: _____

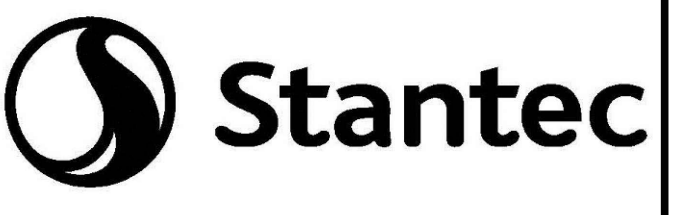
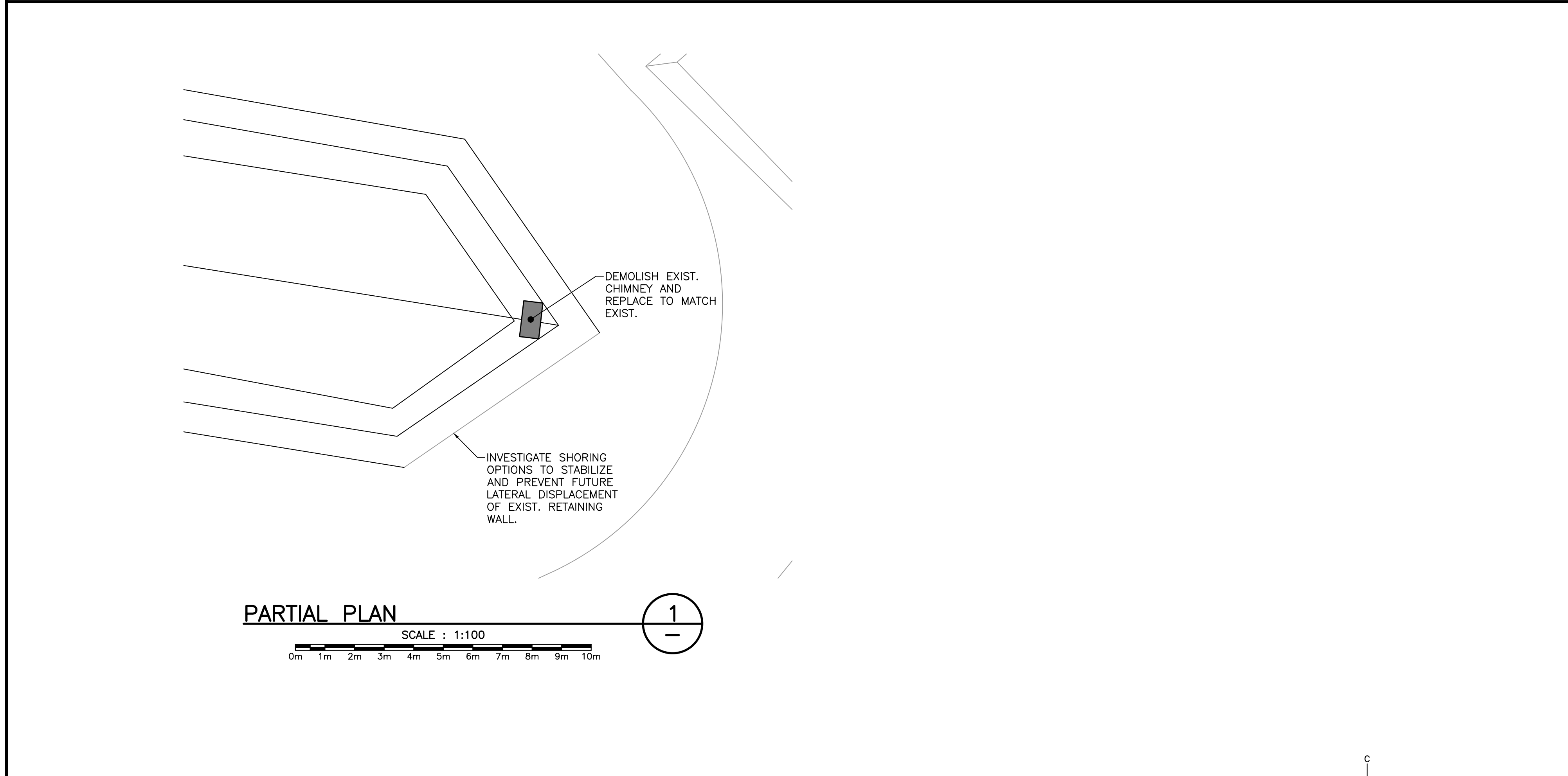
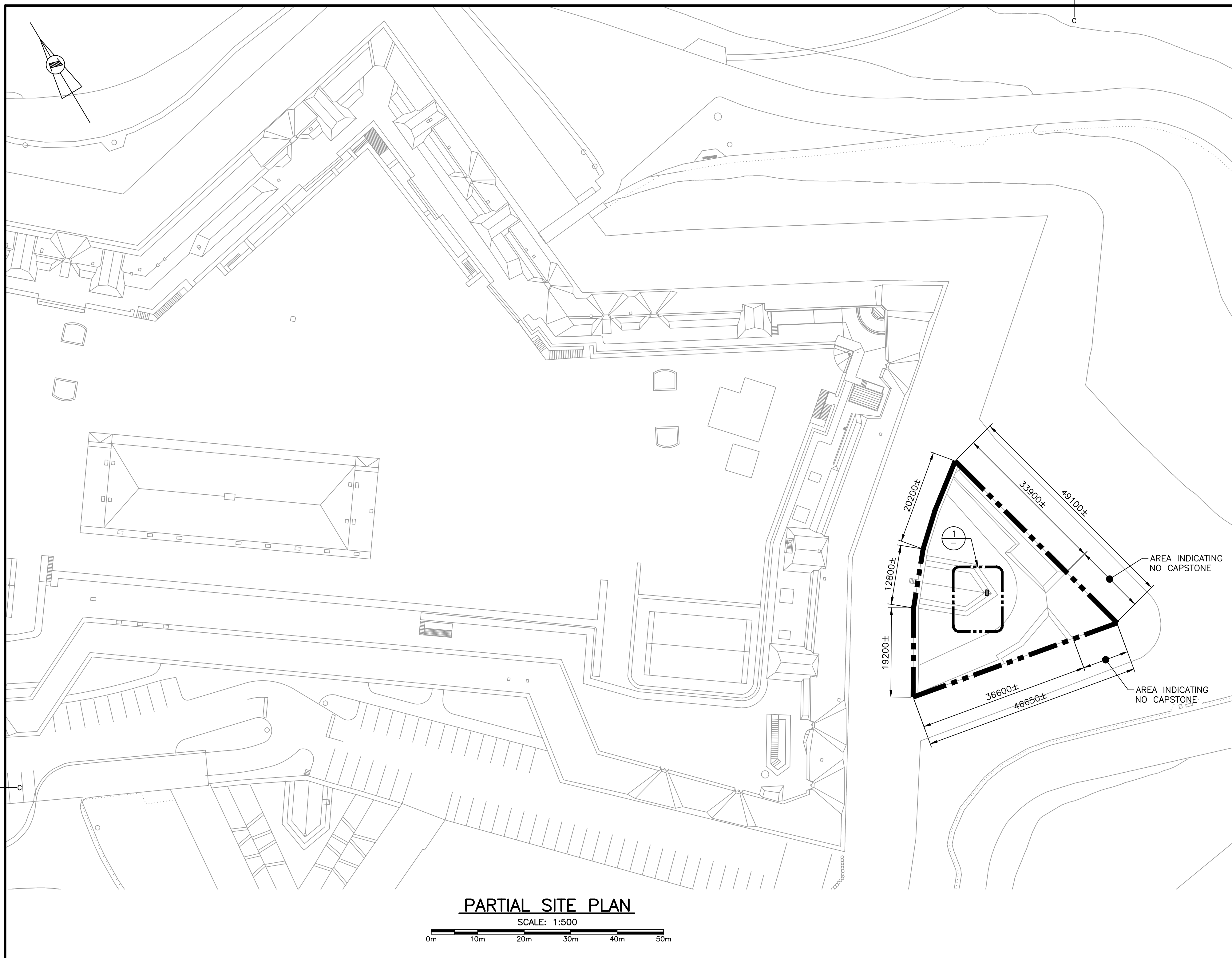
**AREA 5
AREAWAY AND
CASEMATES REPAIRS**

designed N.GUY/D.ARCHIBALD conçu
date: _____
drawn G.BOUTILIER dessiné
date: _____
approved N.GUY approuvé
date: _____

Tender: _____ Soumission

PWOSC Project Manager Administrateur de projets TPSGC
project number no. du projet
5P301.14.0001.002
drawing no. no. du dessin

S-501



Stantec Consulting Ltd.
102 - 40 Highfield Park Drive
Dartmouth NS
Tel: 902.468.7777
www.stantec.com
Project No. 133430527

- NOTES:**
1. ALL DIMENSIONS SHOWN ON DRAWING ARE TO BE CONFIRMED BY CONTRACTOR.
 2. ALL REPAIR RECOMMENDATIONS, METHODS, AND MATERIALS AND FINAL CONDITIONS TO BE DETERMINED BY THE DEPARTMENTAL REPRESENTATIVE UPON VERIFICATION OF EXISTING CONDITIONS.



FOR TENDER
AUG. 2, 2016

0	ISSUED FOR TENDER	AUG/02 2016
---	-------------------	-------------

revisions / date

project / projet

**HALIFAX CITADEL
NATIONAL HISTORIC SITE
STABILIZATION OF
SOUTH FRONT
MASONRY WALLS**

**AREA 7
SOUTH RAVELIN
REPAIRS**

designed N.GUY/D.ARCHIBALD / conçu

drawn G.BOUTILIER / dessiné

approved N.GUY / approuvé

Tender / Soumission

PWSC Project Manager / Administrateur de projets TPSGC

project number / no. du projet
5P301.14.0001.002

drawing no. / no. du dessin
S-701

