



CMHC SCHL

GRANVILLE ISLAND PHASE 2 LIGHTING UPGRADE

AUGUST 2016

Project Number: 115615375

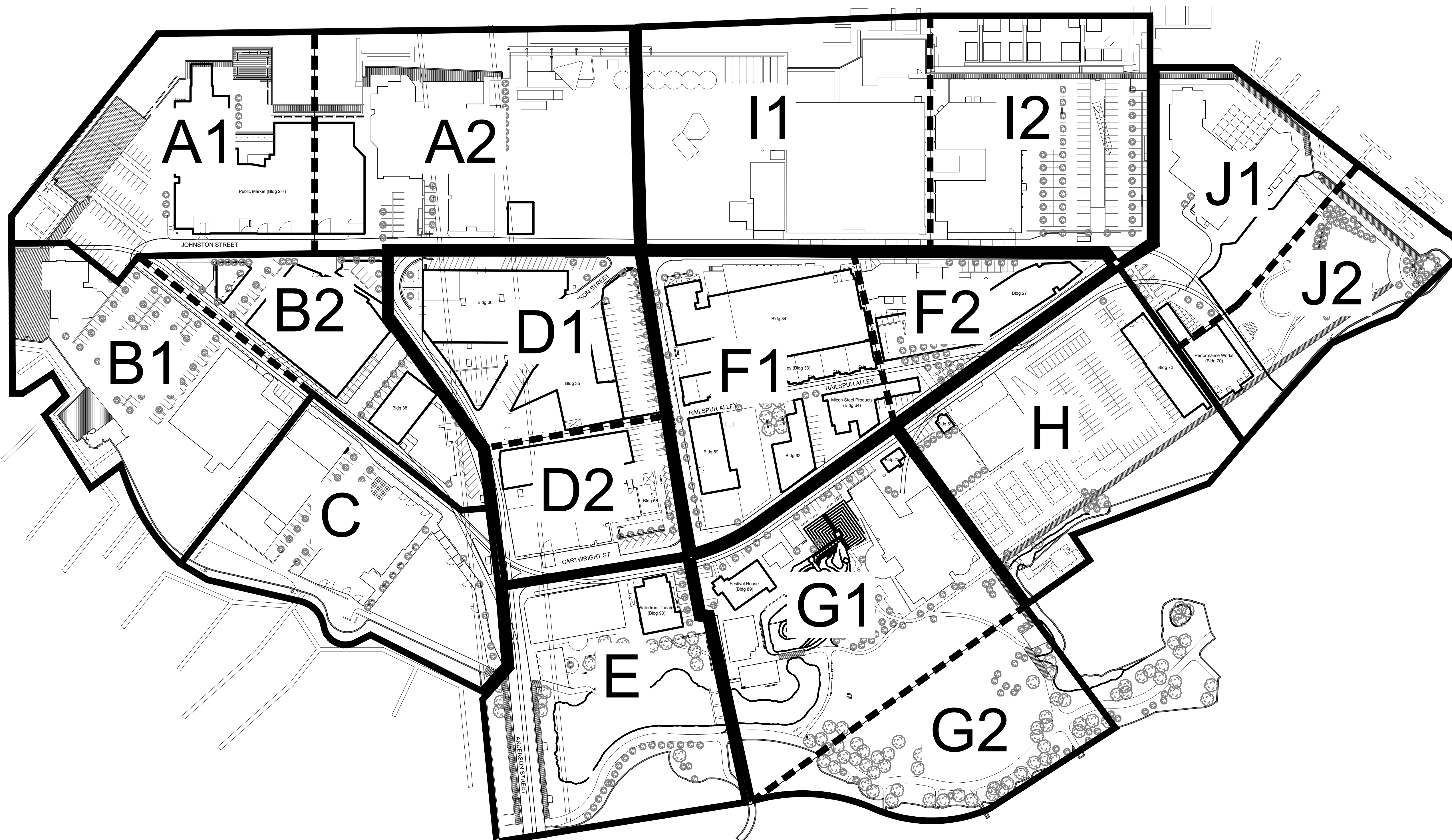
Drawing Index	
Sheet No.	Sheet Title
E00	Electrical Specifications and Legend
E01	Site Key Plan
E02	Exterior Lighting Layout 'Zone D1' - Modifications
E03	Exterior Lighting Layout 'Zone D2' - Modifications
E04	Building 36 Lighting Removals Plan
E05	Building 35 Lighting Removals Plan
E06	Proposed Building 36 Lighting Layout Plan
E07	Proposed Building 35 Lighting Layout Plan
E08	Elevations And Details 'Zone D'
E09	Proposed Lighting Layout 'Zone B1'
E10	Proposed Lighting Layout 'Zone B2'
E11	Proposed Lighting Layout 'Zone C'
E12	Proposed Lighting Layout 'Zone F2'
E13	Proposed Lighting Layout 'Zone J1'
E14	Proposed Lighting Layout 'Zone E'
E15	Proposed Entrance Lighting Layout And Details

Revision	By	Appd.	YY.MM.DD
1	ISSUED FOR TENDER	CC	TF 16.02.18
	Issued	By	Appd. YY.MM.DD
	File Name: 115615375_E01.dwg	TS	CC 16.01.18
		Dwn.	Chkd. Dsgn. YY.MM.DD

Client/Project
 CMHC SCHL
 GRANVILLE ISLAND OFFICE
 GRANVILLE ISLAND
 ZONE D LIGHTING UPGRADE
 Vancouver BC Canada

Title
 ISLAND
 ZONE PLAN

Project No. 115615375	Scale 1:1000	Revision
Drawing No. E01	Sheet - of -	Revision 0



ISSUED FOR TENDER

Copyright Reserved

The Contractor shall verify and be responsible for all dimensions. DO NOT scale the drawing - any errors or omissions shall be reported to Stantec without delay.
The Copyrights to all designs and drawings are the property of Stantec. Reproduction or use for any purpose other than that authorized by Stantec is forbidden.

Consultants

NOTE TO CONTRACTOR:

1. REMOVE ALL DEBRIS FROM SITE EACH DAY AND DISPOSE OF OR RECYCLE IN ACCORDANCE WITH GRANVILLE ISLAND RULES AND REGULATIONS AND CITY OF VANCOUVER BYLAWS.
2. ALL LAMPS CONTAINING MERCURY & PCB'S SHALL BE DISPOSED OF IN ACCORDANCE WITH FEDERAL LAWS.

Legend

Notes

ZONE D1

Revision	By	Appd.	YY.MM.DD
1	ISSUED FOR TENDER	CC	TF 16.02.18
	Issued	By	Appd. YY.MM.DD
	File Name: 115615375_E02.dwg	TS	CC LAF 13.07.01
		Dwn.	Chkd. Dsgn. YY.MM.DD

Permit/Seal

Client/Project

CMHC SCHL
GRANVILLE ISLAND OFFICE

GRANVILLE ISLAND
PHASE 2 LIGHTING UPGRADE
Vancouver BC Canada

Title

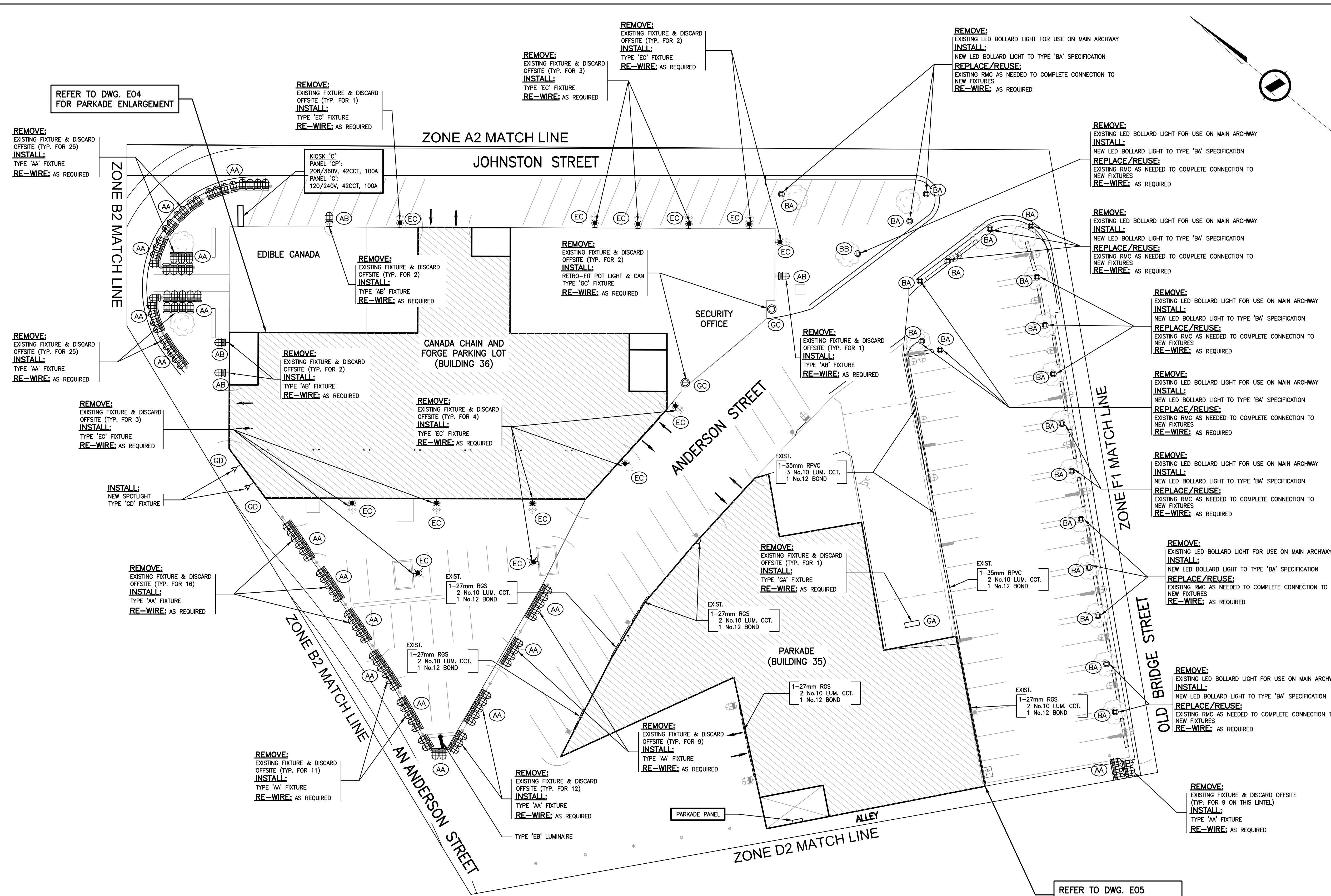
EXTERIOR
LIGHTING LAYOUT
'ZONE D1' - MODIFICATIONS

Project No.	Scale	
115615375	1:250	
Drawing No.	Sheet	Revision
E02		

E02

- of -

0



REFER TO DWG. E04 FOR PARKADE ENLARGEMENT

REMOVE:
EXISTING FIXTURE & DISCARD OFFSITE (TYP. FOR 1)
INSTALL:
TYPE 'EC' FIXTURE
RE-WIRE: AS REQUIRED

REMOVE:
EXISTING FIXTURE & DISCARD OFFSITE (TYP. FOR 3)
INSTALL:
TYPE 'EC' FIXTURE
RE-WIRE: AS REQUIRED

REMOVE:
EXISTING LED BOLLARD LIGHT FOR USE ON MAIN ARCHWAY
INSTALL:
NEW LED BOLLARD LIGHT TO TYPE 'BA' SPECIFICATION
REPLACE/REUSE:
EXISTING RMC AS NEEDED TO COMPLETE CONNECTION TO NEW FIXTURES
RE-WIRE: AS REQUIRED

REMOVE:
EXISTING LED BOLLARD LIGHT FOR USE ON MAIN ARCHWAY
INSTALL:
NEW LED BOLLARD LIGHT TO TYPE 'BA' SPECIFICATION
REPLACE/REUSE:
EXISTING RMC AS NEEDED TO COMPLETE CONNECTION TO NEW FIXTURES
RE-WIRE: AS REQUIRED

REMOVE:
EXISTING LED BOLLARD LIGHT FOR USE ON MAIN ARCHWAY
INSTALL:
NEW LED BOLLARD LIGHT TO TYPE 'BA' SPECIFICATION
REPLACE/REUSE:
EXISTING RMC AS NEEDED TO COMPLETE CONNECTION TO NEW FIXTURES
RE-WIRE: AS REQUIRED

REMOVE:
EXISTING LED BOLLARD LIGHT FOR USE ON MAIN ARCHWAY
INSTALL:
NEW LED BOLLARD LIGHT TO TYPE 'BA' SPECIFICATION
REPLACE/REUSE:
EXISTING RMC AS NEEDED TO COMPLETE CONNECTION TO NEW FIXTURES
RE-WIRE: AS REQUIRED

REMOVE:
EXISTING LED BOLLARD LIGHT FOR USE ON MAIN ARCHWAY
INSTALL:
NEW LED BOLLARD LIGHT TO TYPE 'BA' SPECIFICATION
REPLACE/REUSE:
EXISTING RMC AS NEEDED TO COMPLETE CONNECTION TO NEW FIXTURES
RE-WIRE: AS REQUIRED

REMOVE:
EXISTING LED BOLLARD LIGHT FOR USE ON MAIN ARCHWAY
INSTALL:
NEW LED BOLLARD LIGHT TO TYPE 'BA' SPECIFICATION
REPLACE/REUSE:
EXISTING RMC AS NEEDED TO COMPLETE CONNECTION TO NEW FIXTURES
RE-WIRE: AS REQUIRED

REMOVE:
EXISTING LED BOLLARD LIGHT FOR USE ON MAIN ARCHWAY
INSTALL:
NEW LED BOLLARD LIGHT TO TYPE 'BA' SPECIFICATION
REPLACE/REUSE:
EXISTING RMC AS NEEDED TO COMPLETE CONNECTION TO NEW FIXTURES
RE-WIRE: AS REQUIRED

REMOVE:
EXISTING LED BOLLARD LIGHT FOR USE ON MAIN ARCHWAY
INSTALL:
NEW LED BOLLARD LIGHT TO TYPE 'BA' SPECIFICATION
REPLACE/REUSE:
EXISTING RMC AS NEEDED TO COMPLETE CONNECTION TO NEW FIXTURES
RE-WIRE: AS REQUIRED

REMOVE:
EXISTING LED BOLLARD LIGHT FOR USE ON MAIN ARCHWAY
INSTALL:
NEW LED BOLLARD LIGHT TO TYPE 'BA' SPECIFICATION
REPLACE/REUSE:
EXISTING RMC AS NEEDED TO COMPLETE CONNECTION TO NEW FIXTURES
RE-WIRE: AS REQUIRED

REMOVE:
EXISTING FIXTURE & DISCARD OFFSITE (TYP. FOR 9 ON THIS LINTEL)
INSTALL:
TYPE 'AA' FIXTURE
RE-WIRE: AS REQUIRED

REFER TO DWG. E05 FOR PARKADE ENLARGEMENT

PANEL 'CP' IS LOCATED NEAR EDIBLE CANADA ON DWG. E08

PANEL 'FA' IS LOCATED NEAR PARKADE ON OLD BRIDGE STREET ON DWG. E11

EXISTING PAVERS ARE NO LONGER AVAILABLE - HANDLE WITH CARE WHILE REMOVING, STORING AND RE-INSTALLING DURING CONSTRUCTION

208V LIGHTING (UNLESS OTHERWISE NOTED)

CONTRACTOR TO REINSTATE AREA OF CONSTRUCTION TO ITS ORIGINAL CONDITION

ALL OTHER LUMINAIRES SHOWN ON THIS DRAWING THAT ARE SHADED DO NOT FORM PART OF THIS CONTRACT

REFER TO DRAWING E00 FOR LEGEND, COLOUR CONDUCTOR CODE AND SUPPLEMENTAL SPECIFICATIONS



ISSUED FOR TENDER

U:\115615375\10_drawing\10_drawing\02_sheets\04_electrical\115615375_E02.dwg
2016/08/09 11:06 AM By: Sanchao, Terrance

NOTE TO CONTRACTOR:

1. REMOVE ALL DEBRIS FROM SITE EACH DAY AND DISPOSE OF OR RECYCLE IN ACCORDANCE WITH GRANVILLE ISLAND RULES AND REGULATIONS AND CITY OF VANCOUVER BYLAWS.
2. ALL LAMPS CONTAINING MERCURY & PCB'S SHALL BE DISPOSED OF IN ACCORDANCE WITH FEDERAL LAWS.

Legend

Notes

ZONE D2

Revision	By	Appd.	YY.MM.DD
1	ISSUED FOR TENDER	CC	TF 16.02.18
Issued		By	Appd. YY.MM.DD
File Name:	115615375_E03.dwg	TS	CC 16.02.18
		Dwn.	Chkd. Dsgn. YY.MM.DD

Permit-Seal

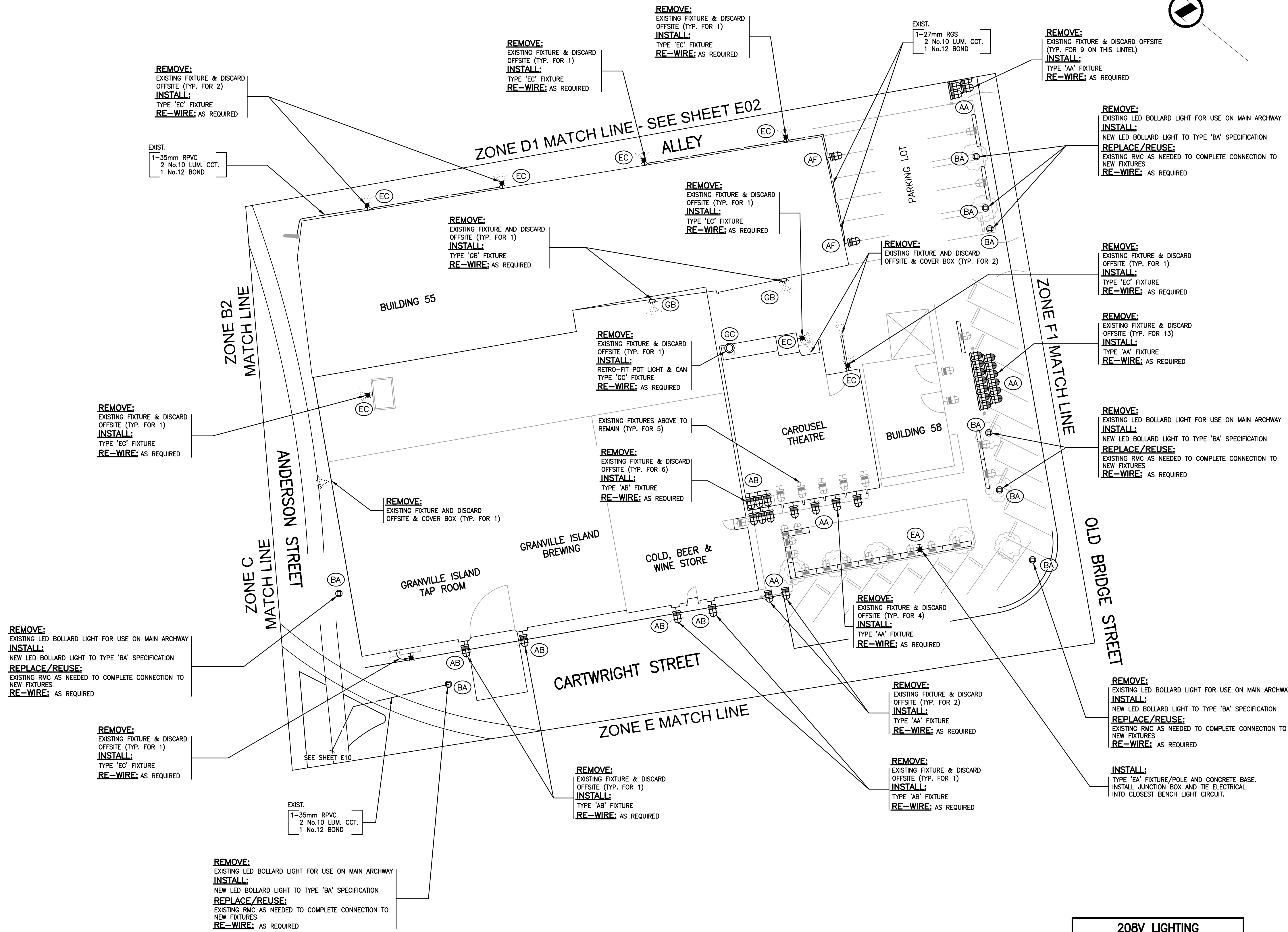
Client/Project

CMHC SCHL
 GRANVILLE ISLAND OFFICE
 GRANVILLE ISLAND
 PHASE 2 LIGHTING UPGRADE
 Vancouver BC Canada

Title

EXTERIOR
 LIGHTING LAYOUT MODIFICATIONS
 'ZONE D2'

Project No.	Scale
115615375	1:250
Drawing No.	Sheet
E03	
	Revision
	0



EXISTING PAVERS ARE NO LONGER AVAILABLE - HANDLE WITH CARE WHILE REMOVING, STORING AND RE-INSTALLING DURING CONSTRUCTION

PANEL 'GA' IS LOCATED ON THE WEST SIDE OF WATER FRONT THEATRE ON DWG. E10

PANEL 'FA' IS LOCATED NEAR PARKADE ON OLD BRIDGE STREET ON DWG. E11



ISSUED FOR TENDER

208V LIGHTING (UNLESS OTHERWISE NOTED)

CONTRACTOR TO REINSTATE AREA OF CONSTRUCTION TO ITS ORIGINAL CONDITION

ALL OTHER LUMINAIRES SHOWN ON THIS DRAWING THAT ARE SHADED DO NOT FORM PART OF THIS CONTRACT

REFER TO DRAWING E00 FOR LEGEND, COLOUR CONDUCTOR CODE AND SUPPLEMENTAL SPECIFICATIONS

Copyright Reserved
The Contractor shall verify and be responsible for all dimensions. DO NOT scale the drawing - any errors or omissions shall be reported to Stantec without delay.
The Copyrights to all designs and drawings are the property of Stantec. Reproduction or use for any purpose other than that authorized by Stantec is forbidden.

Consultants

NOTE TO CONTRACTOR:

1. REMOVE ALL DEBRIS FROM SITE EACH DAY AND DISPOSE OF OR RECYCLE IN ACCORDANCE WITH GRANVILLE ISLAND RULES AND REGULATIONS AND CITY OF VANCOUVER BYLAWS.
2. ALL LAMPS CONTAINING MERCURY & PCB'S SHALL BE DISPOSED OF IN ACCORDANCE WITH FEDERAL LAWS.

Legend

Notes

ZONE D1

Revision	By	Appd.	YY.MM.DD
1	ISSUED FOR TENDER	CC	TF 16.02.18
Issued		By	Appd. YY.MM.DD
File Name:	115615375_E04.dwg	TS	CC CC 16.01.18
		Dwn.	Chkd. Dsgn. YY.MM.DD

Permit-Seal

Client/Project

CMHC SCHL
GRANVILLE ISLAND OFFICE

GRANVILLE ISLAND
PHASE 2 LIGHTING UPGRADE

Vancouver BC Canada

Title

**BUILDING 36
LIGHTING REMOVALS
PLAN**

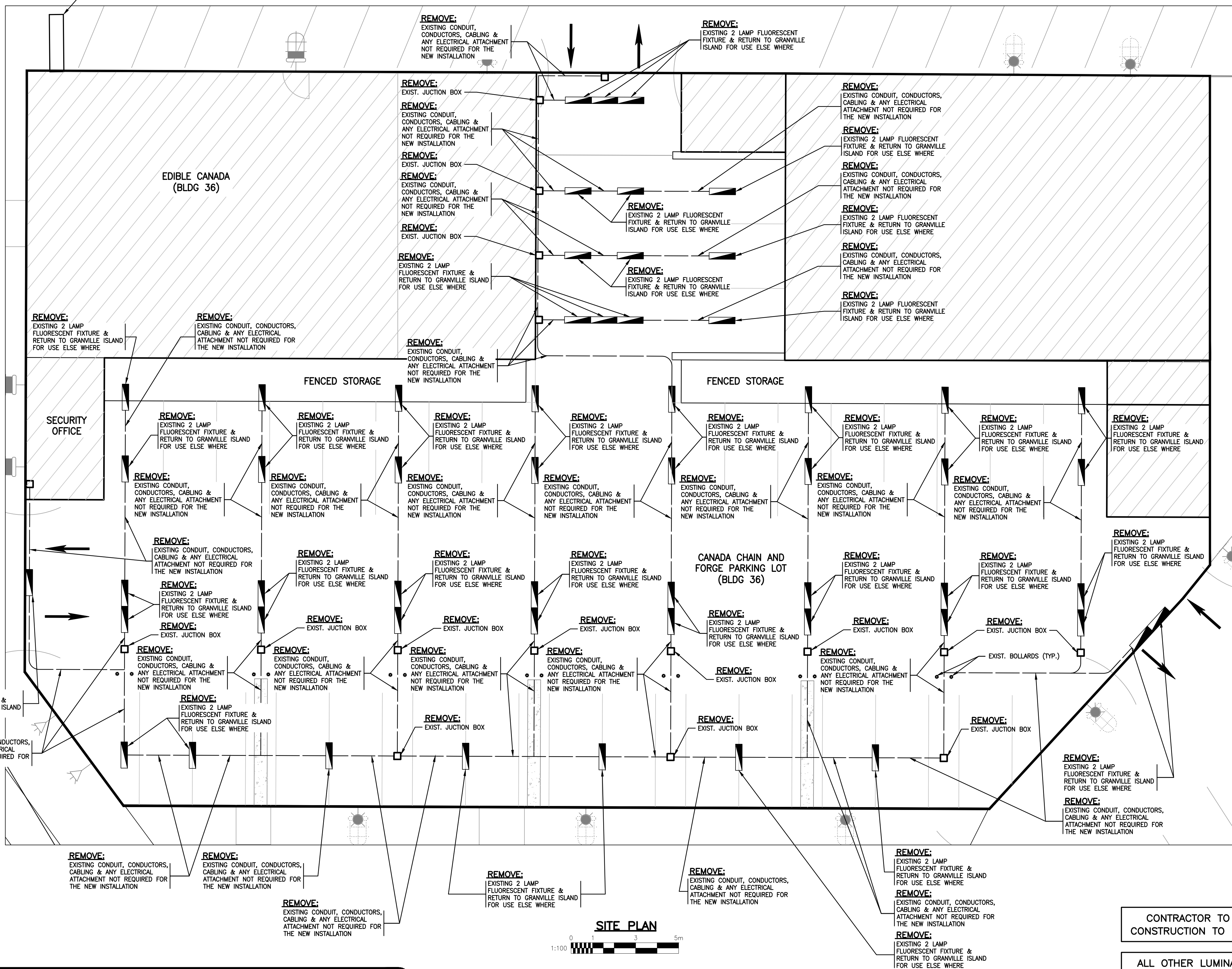
Project No.	115615375	Scale	1:100
Drawing No.	E04	Sheet	0
		Revision	

E04

- of -

0

KIOSK 'C'
PANEL 'CP'
208/360V, 42CCT, 100A
PANEL 'C'
120/240V, 42CCT, 100A



CONTRACTOR TO REINSTATE AREA OF CONSTRUCTION TO ITS ORIGINAL CONDITION

ALL OTHER LUMINAIRES SHOWN ON THIS DRAWING THAT ARE SHADED DO NOT FORM PART OF THIS CONTRACT

REFER TO DRAWING E00 FOR LEGEND, COLOUR CONDUCTOR CODE AND SUPPLEMENTAL SPECIFICATIONS

208V LIGHTING (UNLESS OTHERWISE NOTED)

ALL EXTERIOR LIGHTING CIRCUITS MUST BE MAINTAINED OR REINSTATED

PANEL 'CP' IS LOCATED NEAR EDIBLE CANADA ON DWG. E08

ISSUED FOR TENDER

NOTE TO CONTRACTOR:

1. REMOVE ALL DEBRIS FROM SITE EACH DAY AND DISPOSE OF OR RECYCLE IN ACCORDANCE WITH GRANVILLE ISLAND RULES AND REGULATIONS AND CITY OF VANCOUVER BYLAWS.
2. ALL LAMPS CONTAINING MERCURY & PCB'S SHALL BE DISPOSED OF IN ACCORDANCE WITH FEDERAL LAWS.

ZONE D1

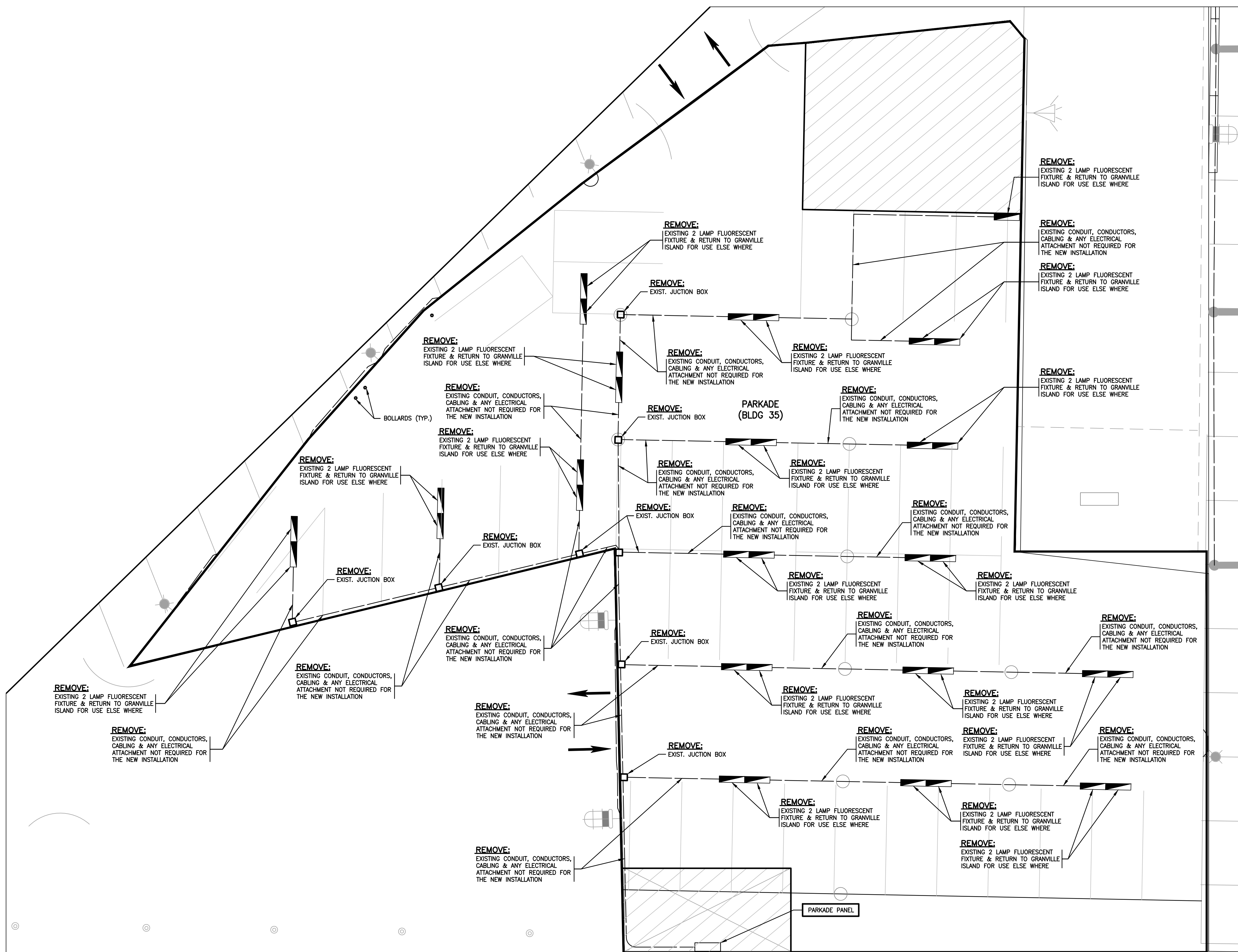
Revision	By	Appd.	YY.MM.DD
1	ISSUED FOR TENDER	CC	TF 16.02.18
	Issued	By	Appd. YY.MM.DD
	File Name: 115615375_E05.dwg	TS Dwn.	CC CC 16.01.18 Dsgn. YY.MM.DD

Client/Project
**CMHC SCHL
GRANVILLE ISLAND OFFICE**

GRANVILLE ISLAND
PHASE 2 LIGHTING UPGRADE
Vancouver BC Canada

Title
**BUILDING 35
LIGHTING REMOVALS
PLAN**

Project No.	Scale
115615375	1:100
Drawing No.	Sheet
E05	Revised



ISSUED FOR TENDER

**208V LIGHTING
(UNLESS OTHERWISE NOTED)**

**ALL EXTERIOR LIGHTING
CIRCUITS MUST BE
MAINTAINED OR REINSTATED**

**PANEL 'FA' IS LOCATED
NEAR PARKADE ON OLD
BRIDGE STREET ON DWG. E11**

**CONTRACTOR TO REINSTATE AREA OF
CONSTRUCTION TO ITS ORIGINAL CONDITION**

**ALL OTHER LUMINAIRES SHOWN ON THIS
DRAWING THAT ARE SHADED DO NOT
FORM PART OF THIS CONTRACT**

**REFER TO DRAWING E00
FOR LEGEND, COLOUR CONDUCTOR
CODE AND SUPPLEMENTAL SPECIFICATIONS**

Copyright Reserved
The Contractor shall verify and be responsible for all dimensions. DO NOT scale the drawing - any errors or omissions shall be reported to Stantec without delay.
The Copyrights to all designs and drawings are the property of Stantec. Reproduction or use for any purpose other than that authorized by Stantec is forbidden.

Consultants

NOTE TO CONTRACTOR:

1. REMOVE ALL DEBRIS FROM SITE EACH DAY AND DISPOSE OF OR RECYCLE IN ACCORDANCE WITH GRANVILLE ISLAND RULES AND REGULATIONS AND CITY OF VANCOUVER BYLAWS.
2. ALL LAMPS CONTAINING MERCURY & PCB'S SHALL BE DISPOSED OF IN ACCORDANCE WITH FEDERAL LAWS.

Legend

Notes

ZONE D1

Revision	By	Appd.	YY.MM.DD		
1	ISSUED FOR TENDER	CC	TF	16.02.18	
Issued		By	Appd.	YY.MM.DD	
File Name:	115615375_E06.dwg	TS	CC	CC	16.01.18
		Dwn.	Chkd.	Dsgn.	YY.MM.DD

Permit-Seal

Client/Project

CMHC SCHL
GRANVILLE ISLAND OFFICE

GRANVILLE ISLAND
PHASE 2 LIGHTING UPGRADE
Vancouver BC Canada

Title

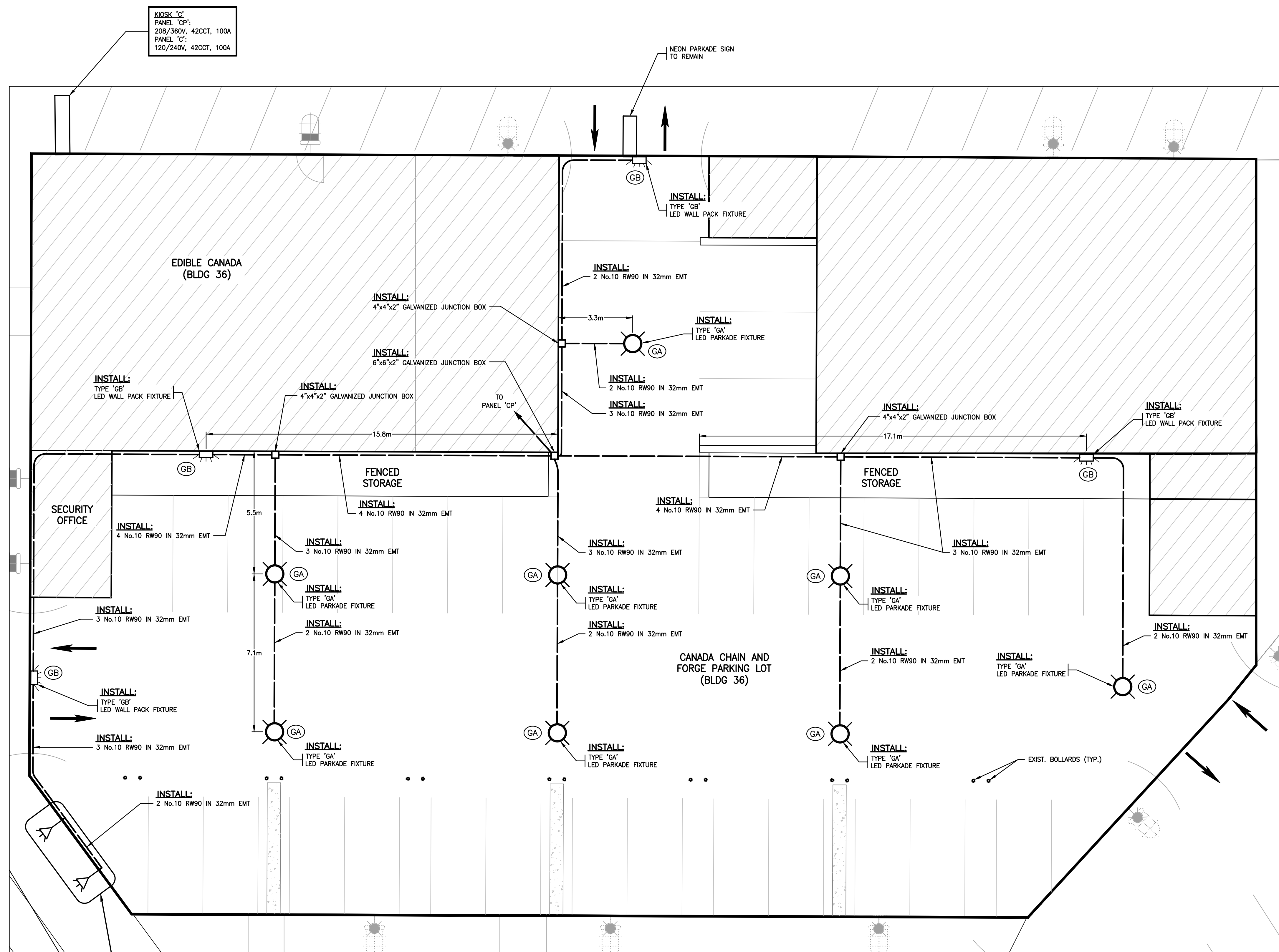
PROPOSED
BUILDING 36 LIGHTING LAYOUT
PLAN

Project No.	115615375	Scale	1:100
Drawing No.	E06	Sheet	- of -
		Revision	0

E06

- of -

0



KIOSK 'C'
PANEL 'CP'
208/360V, 42CCT, 100A
PANEL 'C'
120/240V, 42CCT, 100A

NEON PARKADE SIGN
TO REMAIN

INSTALL:
TYPE 'GB'
LED WALL PACK FIXTURE

INSTALL:
4"x4"x2" GALVANIZED JUNCTION BOX

INSTALL:
6"x6"x2" GALVANIZED JUNCTION BOX

INSTALL:
4"x4"x2" GALVANIZED JUNCTION BOX

INSTALL:
TYPE 'GB'
LED WALL PACK FIXTURE

INSTALL:
2 No.10 RW90 IN 32mm EMT

INSTALL:
TYPE 'GA'
LED PARKADE FIXTURE

INSTALL:
2 No.10 RW90 IN 32mm EMT

INSTALL:
3 No.10 RW90 IN 32mm EMT

INSTALL:
4"x4"x2" GALVANIZED JUNCTION BOX

INSTALL:
TYPE 'GB'
LED WALL PACK FIXTURE

INSTALL:
4 No.10 RW90 IN 32mm EMT

INSTALL:
4 No.10 RW90 IN 32mm EMT

INSTALL:
3 No.10 RW90 IN 32mm EMT

INSTALL:
TYPE 'GA'
LED PARKADE FIXTURE

INSTALL:
2 No.10 RW90 IN 32mm EMT

INSTALL:
3 No.10 RW90 IN 32mm EMT

INSTALL:
TYPE 'GB'
LED WALL PACK FIXTURE

INSTALL:
3 No.10 RW90 IN 32mm EMT

INSTALL:
2 No.10 RW90 IN 32mm EMT

INSTALL:
TYPE 'GA'
LED PARKADE FIXTURE

INSTALL:
3 No.10 RW90 IN 32mm EMT

INSTALL:
TYPE 'GA'
LED PARKADE FIXTURE

INSTALL:
2 No.10 RW90 IN 32mm EMT

INSTALL:
TYPE 'GA'
LED PARKADE FIXTURE

INSTALL:
3 No.10 RW90 IN 32mm EMT

INSTALL:
TYPE 'GA'
LED PARKADE FIXTURE

INSTALL:
2 No.10 RW90 IN 32mm EMT

INSTALL:
TYPE 'GA'
LED PARKADE FIXTURE

INSTALL:
2 No.10 RW90 IN 32mm EMT

INSTALL:
TYPE 'GA'
LED PARKADE FIXTURE

INSTALL:
2 No.10 RW90 IN 32mm EMT

INSTALL:
TYPE 'GA'
LED PARKADE FIXTURE

INSTALL:
2 No.10 RW90 IN 32mm EMT

EXIST. BOLLARDS (TYP.)

REFER TO DWG. E02
FOR INSTALLATION NOTES &
REFER TO DWG. E08
FOR MOUNTING DETAILS



SITE PLAN

ISSUED FOR TENDER

CONTRACTOR TO REINSTATE AREA OF
CONSTRUCTION TO ITS ORIGINAL CONDITION

ALL OTHER LUMINAIRES SHOWN ON THIS
DRAWING THAT ARE SHADED DO NOT
FORM PART OF THIS CONTRACT

208V LIGHTING
(UNLESS OTHERWISE NOTED)

ALL EXTERIOR LIGHTING
CIRCUITS MUST BE
MAINTAINED OR REINSTATED

PANEL 'CP'
IS LOCATED NEAR EDIBLE
CANADA ON DWG. E08

REFER TO DRAWING E00
FOR LEGEND, COLOUR CONDUCTOR
CODE AND SUPPLEMENTAL SPECIFICATIONS

NOTE TO CONTRACTOR:

1. REMOVE ALL DEBRIS FROM SITE EACH DAY AND DISPOSE OF OR RECYCLE IN ACCORDANCE WITH GRANVILLE ISLAND RULES AND REGULATIONS AND CITY OF VANCOUVER BYLAWS.
2. ALL LAMPS CONTAINING MERCURY & PCB'S SHALL BE DISPOSED OF IN ACCORDANCE WITH FEDERAL LAWS.

Legend

Notes

ZONE D1

Revision	By	Appd.	YY.MM.DD		
1	ISSUED FOR TENDER	CC	TF	16.02.18	
Issued		By	Appd.	YY.MM.DD	
File Name:	115615375_E07.dwg	TS	CC	CC	16.01.18
		Dwn.	Chkd.	Dsgn.	YY.MM.DD

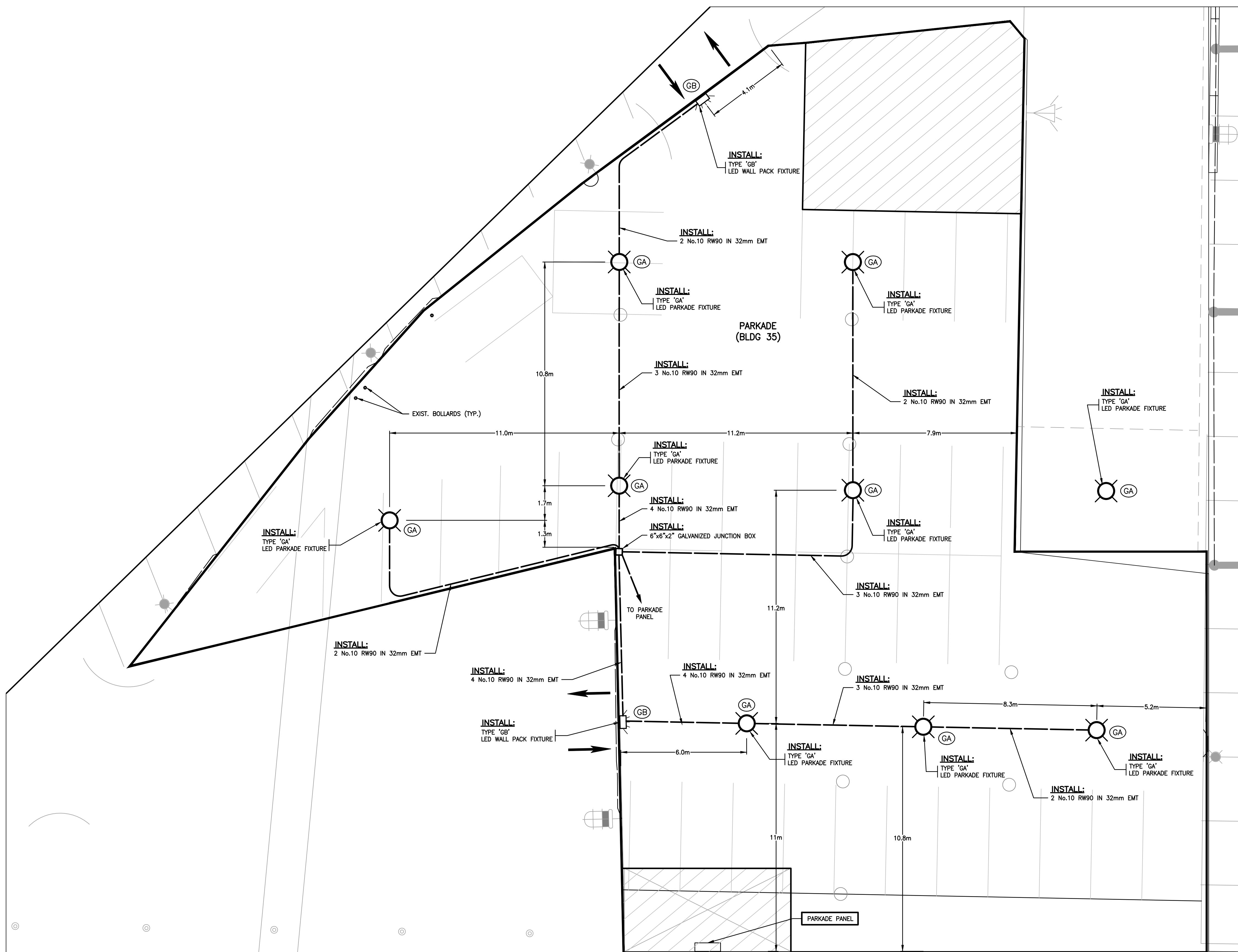
Permit-Seal

Client/Project
**CMHC SCHL
GRANVILLE ISLAND OFFICE**

**GRANVILLE ISLAND
PHASE 2 LIGHTING UPGRADE**
Vancouver BC Canada

Title
**PROPOSED
BUILDING 35 LIGHTING LAYOUT
PLAN**

Project No.	115615375	Scale	1:100
Drawing No.	E07	Sheet	0



ISSUED FOR TENDER

**208V LIGHTING
(UNLESS OTHERWISE NOTED)**

**ALL EXTERIOR LIGHTING
CIRCUITS MUST BE
MAINTAINED OR REINSTATED**

**CONTRACTOR TO REINSTATE AREA OF
CONSTRUCTION TO ITS ORIGINAL CONDITION**

**ALL OTHER LUMINAIRES SHOWN ON THIS
DRAWING THAT ARE SHADED DO NOT
FORM PART OF THIS CONTRACT**

**PANEL 'FA' IS LOCATED
NEAR PARKADE ON OLD
BRIDGE STREET ON DWG. E11**

**REFER TO DRAWING E00
FOR LEGEND, COLOUR CONDUCTOR
CODE AND SUPPLEMENTAL SPECIFICATIONS**

Copyright Reserved

The Contractor shall verify and be responsible for all dimensions. DO NOT scale the drawing - any errors or omissions shall be reported to Stantec without delay.
The Copyrights to all designs and drawings are the property of Stantec. Reproduction or use for any purpose other than that authorized by Stantec is forbidden.

Consultants

NOTE TO CONTRACTOR:

1. REMOVE ALL DEBRIS FROM SITE EACH DAY AND DISPOSE OF OR RECYCLE IN ACCORDANCE WITH GRANVILLE ISLAND RULES AND REGULATIONS AND CITY OF VANCOUVER BYLAWS.
2. ALL LAMPS CONTAINING MERCURY & PCB'S SHALL BE DISPOSED OF IN ACCORDANCE WITH FEDERAL LAWS.

Legend

Notes

ZONE D2

Revision	By	Appd.	YY.MM.DD
1	ISSUED FOR TENDER	CC	TF 16.02.18
	Issued	By	Appd. YY.MM.DD
	File Name: 115615375_E08.dwg	TS Dwn.	CC Chkd. LAF Dsgn. 13.07.01 YY.MM.DD

Permit-Seal

Client/Project
**CMHC SCHL
GRANVILLE ISLAND OFFICE**

**GRANVILLE ISLAND
PHASE 2 LIGHTING UPGRADE**
Vancouver BC Canada

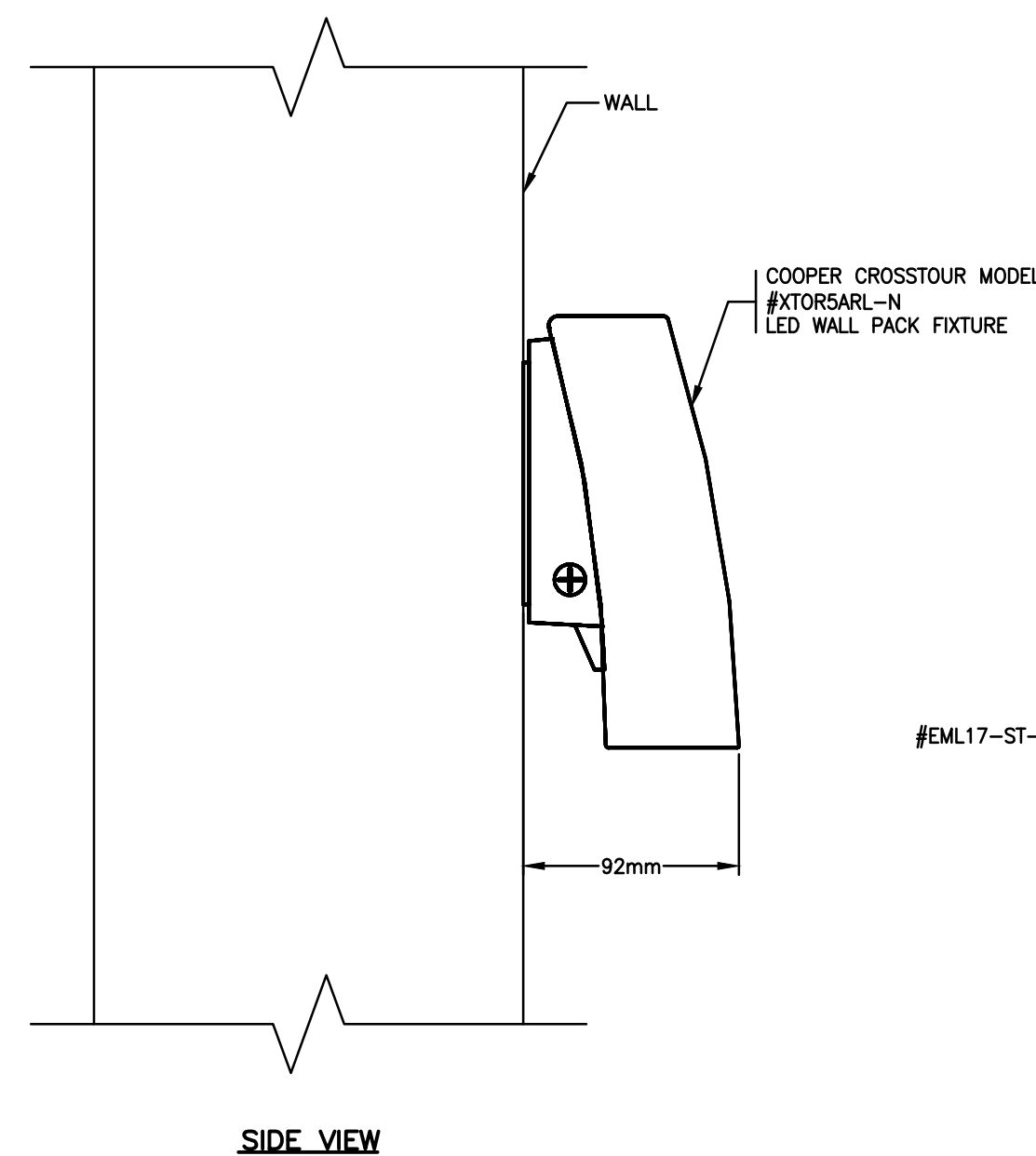
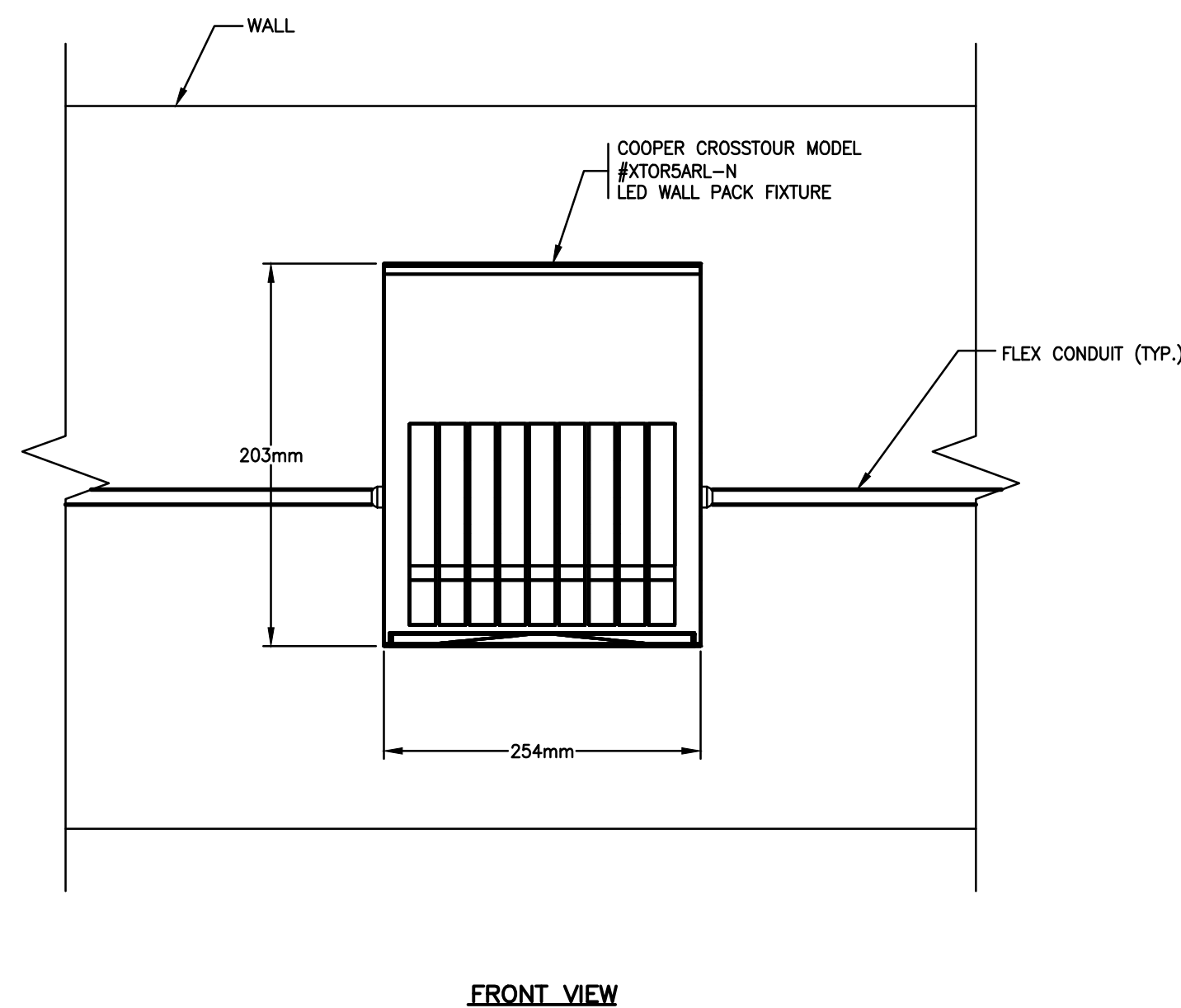
Title
**ELEVATIONS
AND DETAILS
'ZONE D'**

Project No. 115615375	Scale AS SHOWN
Drawing No.	Sheet
	Revision

E08

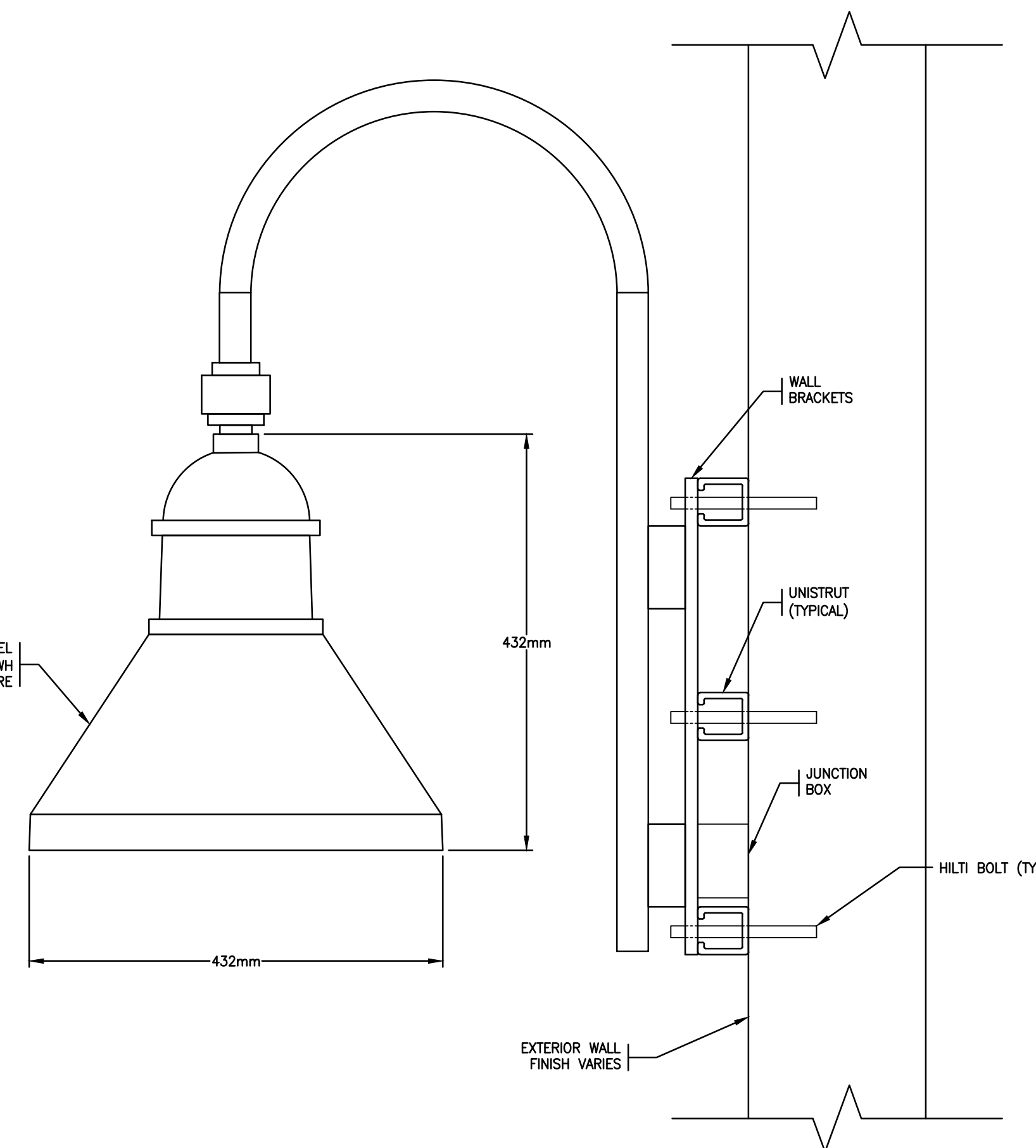
- of -

0

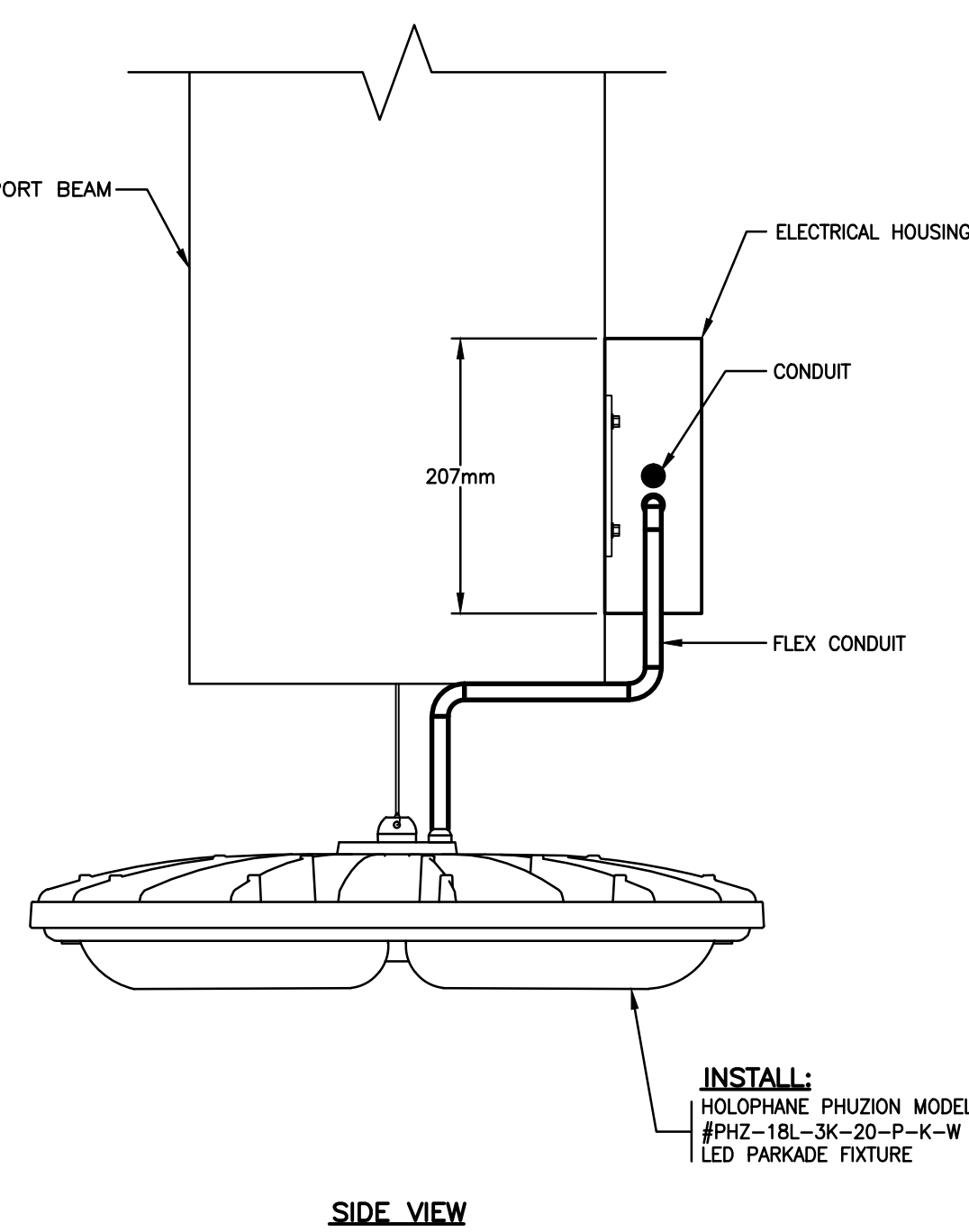
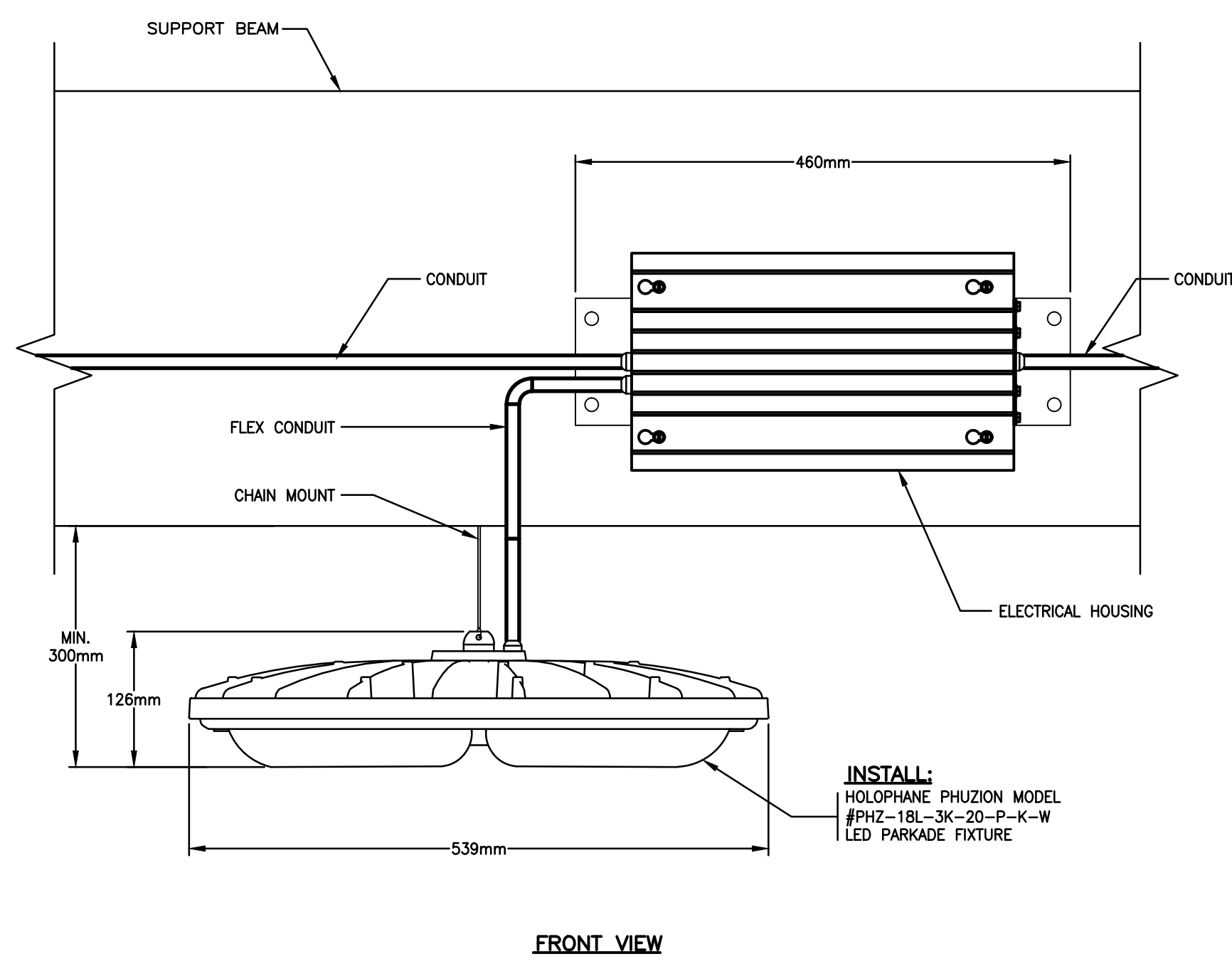


WALL PACK 'GB' INSTALLATION DETAIL
N.T.S.

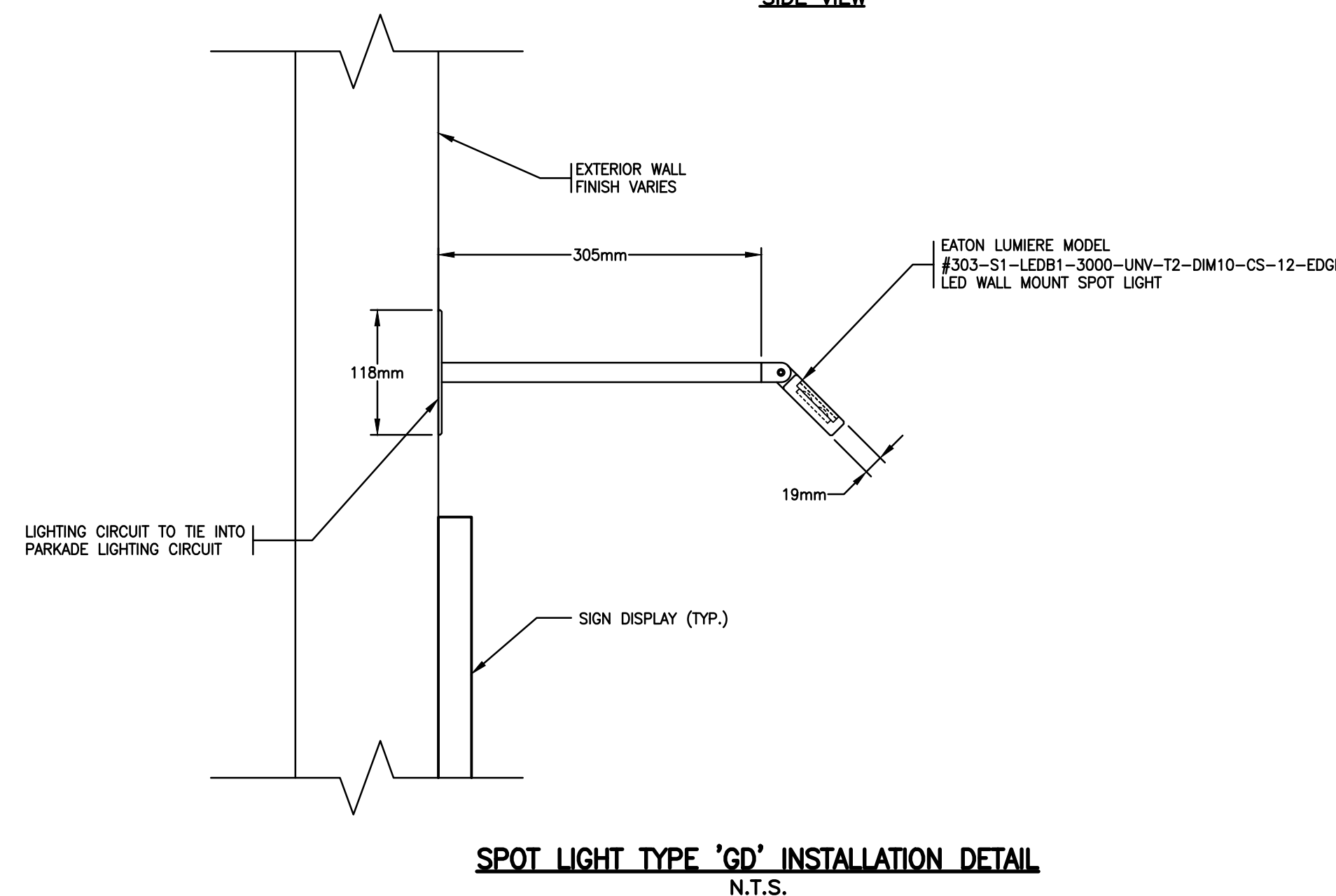
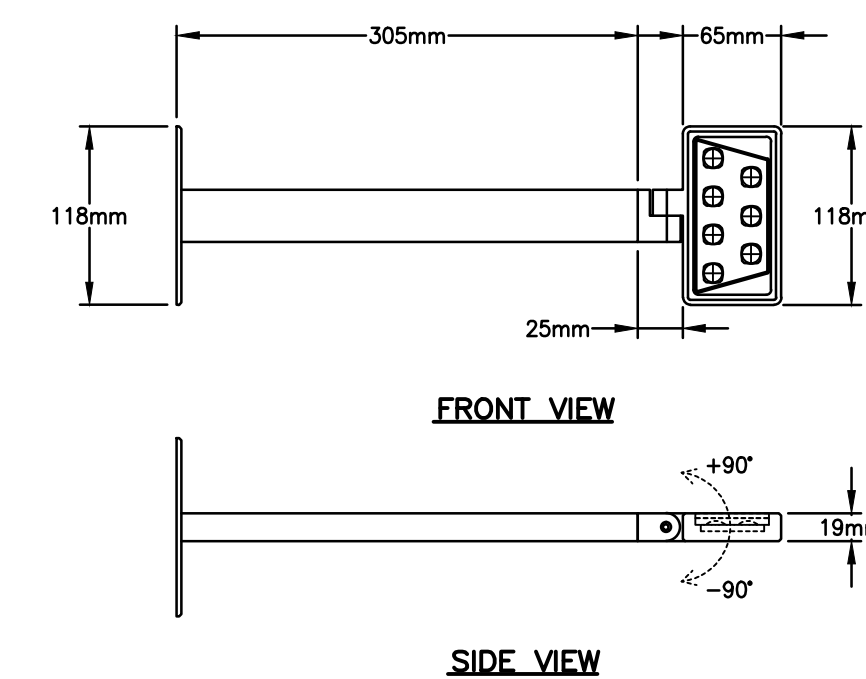
EUROTIQUE (MUNICH STYLE) MODEL #EML17-ST-49LED-350MA-3K-MVOLT-R3-SF-DWH LED WALL MOUNT FIXTURE



PENDANT WALL MOUNT TYPE 'EC' INSTALLATION DETAIL
N.T.S.



PARKADE TYPE 'GA' INSTALLATION DETAIL
N.T.S.



SPOT LIGHT TYPE 'GD' INSTALLATION DETAIL
N.T.S.

ISSUED FOR TENDER

NOTE TO CONTRACTOR:

1. REMOVE ALL DEBRIS FROM SITE EACH DAY AND DISPOSE OF OR RECYCLE IN ACCORDANCE WITH GRANVILLE ISLAND RULES AND REGULATIONS AND CITY OF VANCOUVER BYLAWS.
2. ALL LAMPS CONTAINING MERCURY & PCB'S SHALL BE DISPOSED OF IN ACCORDANCE WITH FEDERAL LAWS.

Legend

Notes

ZONE J1

Revision	By	Appd.	YY.MM.DD

Issued	By	Appd.	YY.MM.DD

File Name:	TS	CC	CC	16.07.05
	Dwn.	Chkd.	Dsgn.	YY.MM.DD
115615375_E13.dwg				

Permit-Seal

Client/Project
CMHC SCHL
GRANVILLE ISLAND OFFICE

GRANVILLE ISLAND
PHASE 2 LIGHTING UPGRADE
Vancouver BC Canada

Title
PROPOSED LIGHTING LAYOUT 'ZONE J1'

Project No.	Scale	
Drawing No.	Sheet	Revision
115615375	1:250	

EXISTING PAVERS ARE NO LONGER AVAILABLE - HANDLE WITH CARE WHILE REMOVING, STORING AND RE-INSTALLING DURING CONSTRUCTION

PANEL 'LA' IS LOCATED IN PARKING LOT WEST OF EMILY CARR UNIVERSITY ON DWG. E17

EXIST.
1-35mm RPVC
2 No.10 LUM. CCT.
1 No.12 BOND

REMOVE:
EXISTING LED BOLLARD LIGHT FOR USE ON MAIN ARCHWAY
INSTALL:
NEW LED BOLLARD LIGHT TO TYPE 'BA' SPECIFICATION
REPLACE/REUSE:
EXISTING RMC AS NEEDED TO COMPLETE CONNECTION TO NEW FIXTURES
RE-WIRE: AS REQUIRED
(TYPICAL FOR 2 TYPE 'BA' ON THIS SHEET)

KIOSK 'C'
PANEL 'KA':
208/360V, 42CCT, 100A
PANEL 'KB':
120/240V, 42CCT, 100A

EXIST.
1-35mm RGS
3 No.10 (CCTS. LA1 & 3)
1 No.12 BOND

EXIST. 3C No.10 TECK90
LUM. CCTS. LA1,3 (TYP.)

ZONE H MATCH LINE

ZONE I2 MATCH LINE

ZONE J2 MATCH LINE

PERFORMANCE WORKS

GRANVILLE ISLAND HOTEL

FUTURE BY OTHERS

208V LIGHTING

ISSUED FOR TENDER

SITE PLAN
1:250

CONTRACTOR TO REINSTATE AREA OF CONSTRUCTION TO ITS ORIGINAL CONDITION

ALL OTHER LUMINAIRES SHOWN ON THIS DRAWING THAT ARE NOT IDENTIFIED DO NOT FORM PART OF THIS CONTRACT

REFER TO DRAWING E00 FOR LEGEND, COLOUR CONDUCTOR CODE AND SUPPLEMENTAL SPECIFICATIONS

