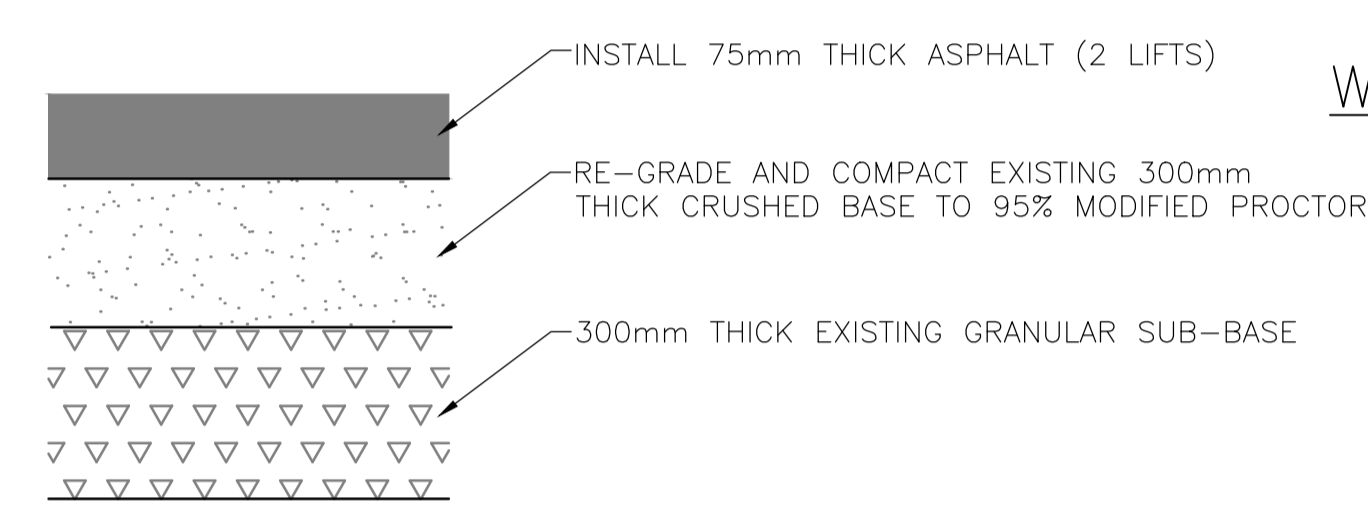
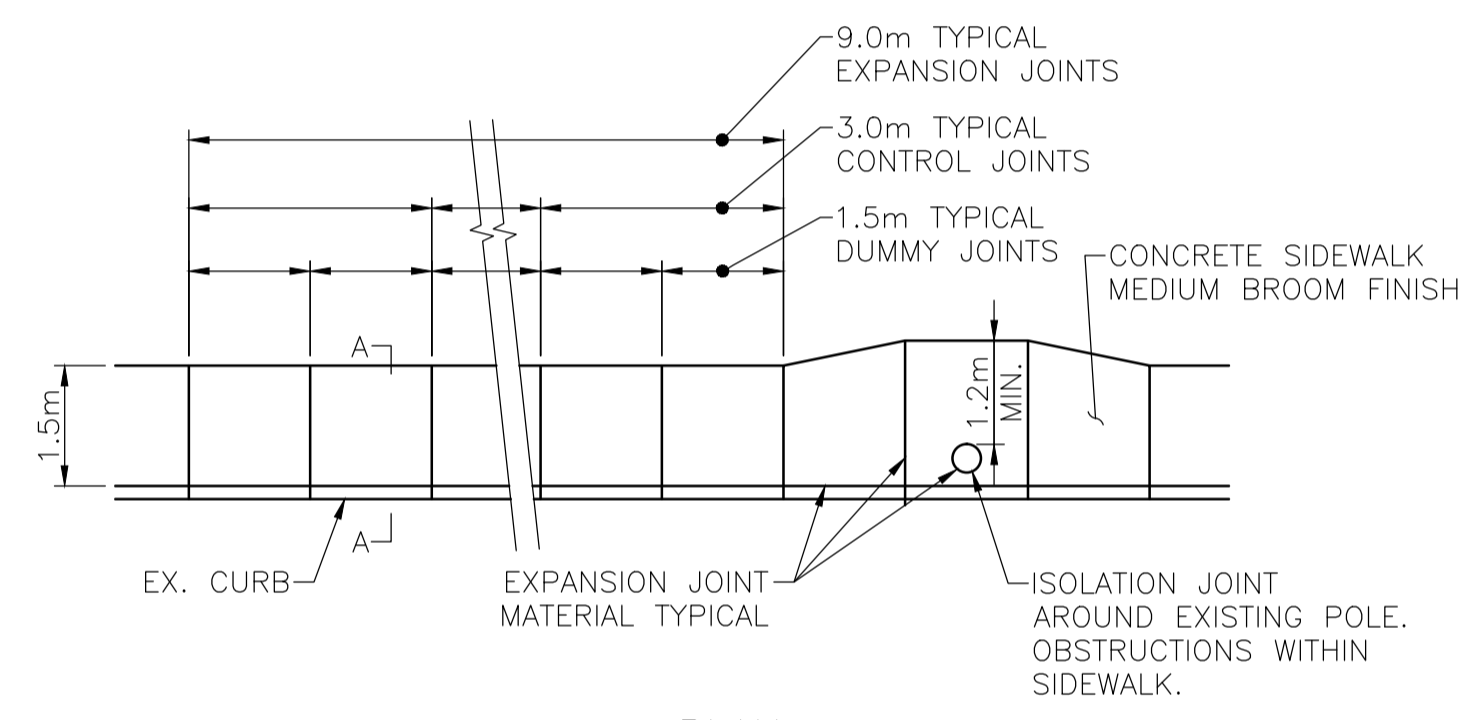


- NOTES
1. LETDOWN ORIENTATED AT 90° TO CURB, UNLESS SPECIFIED OTHERWISE ON CONTRACT DRAWINGS.
 2. REFER TO CONTRACT DOCUMENTS AND SECTION 32 16 15 FOR DETAILED SPECIFICATIONS.

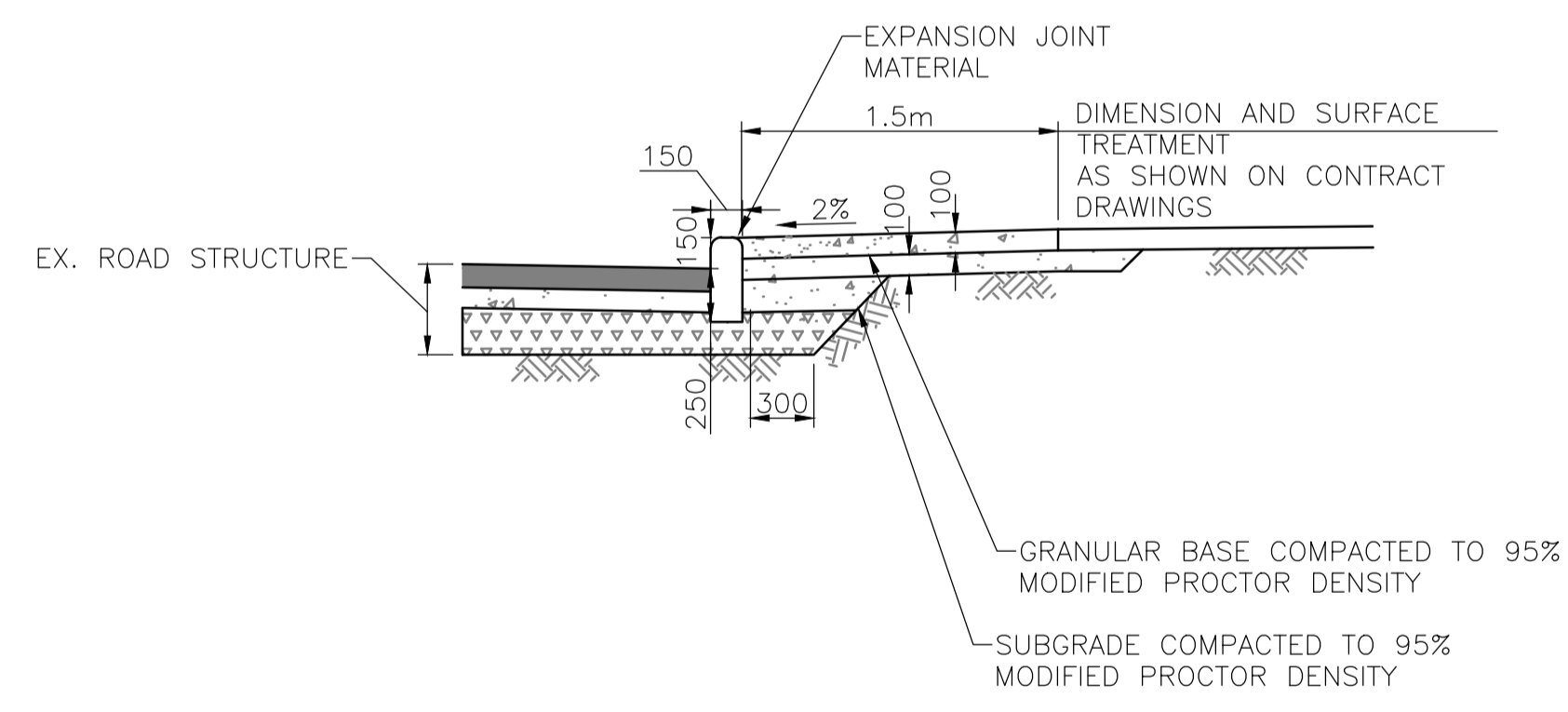
DETAIL 1
WHEELCHAIR RAMP FOR SIDEWALK AND BARRIER CURBS
SCALE: NTS



PAVEMENT DETAIL
SCALE: NTS

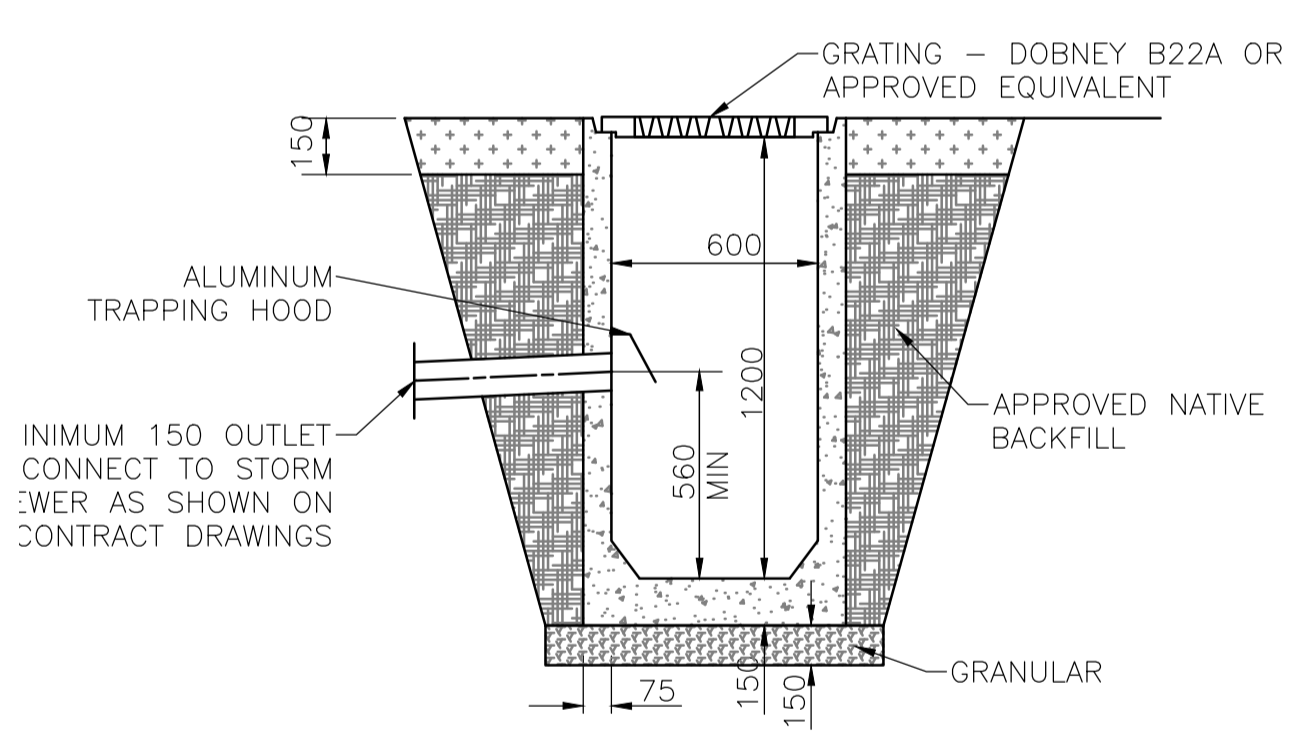


PLAN

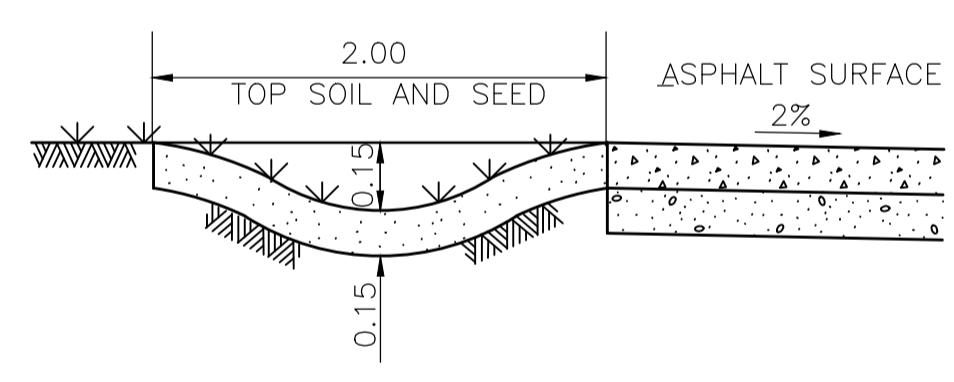


SECTION A - A

DETAIL 3
NEW CONCRETE SIDEWALK AND EX. BARRIER CURBS
SCALE: NTS



CATCHBASIN DETAIL
SCALE: NTS



DETAIL 2
SWALE DETAIL
SCALE: NTS



6		
5		
4		
3		
2	ISSUED FOR TENDER	16/08/19
1	ISSUED FOR REVIEW	16/07/12
Revision/Revision	Description/Description	Date/Date

Client/Client
PUBLIC WORKS & GOVERNMENT SERVICES CANADA (PWGSC)

Project title/Titre du projet
**KINGSGATE, BC
6917 HIGHWAY 95**
**KINGSGATE PORT OF ENTRY
STAFF PARKING PAVING
AND PIL IMPROVEMENTS**

Consultant Signature Only
Designed by/Concept par
S. VERKAIK
Drawn by/Dessiné par
T. AMESS
PWGSC Project Manager/Administrateur de Projets TPSGC
JERRY CHEN
Regional Manager, Architectural and Engineering Services
Gestionnaire régional, Services d'architecture et de génie, TPSGC
REGIONAL MANAGER AES

Drawing title/Titre du dessin
DETAILS

Project No./No. du projet	Sheet/Feuille	Revision no./La Révision no.
	2 OF 3	1

2019/04/19 10:44am sverkaik DENLS H:\projects\31617 Kingsgate Port of Entry\02_CADD\02_Drafting\020_Swale_Catch\31617-PR_AspHaultConcrete.dwg

