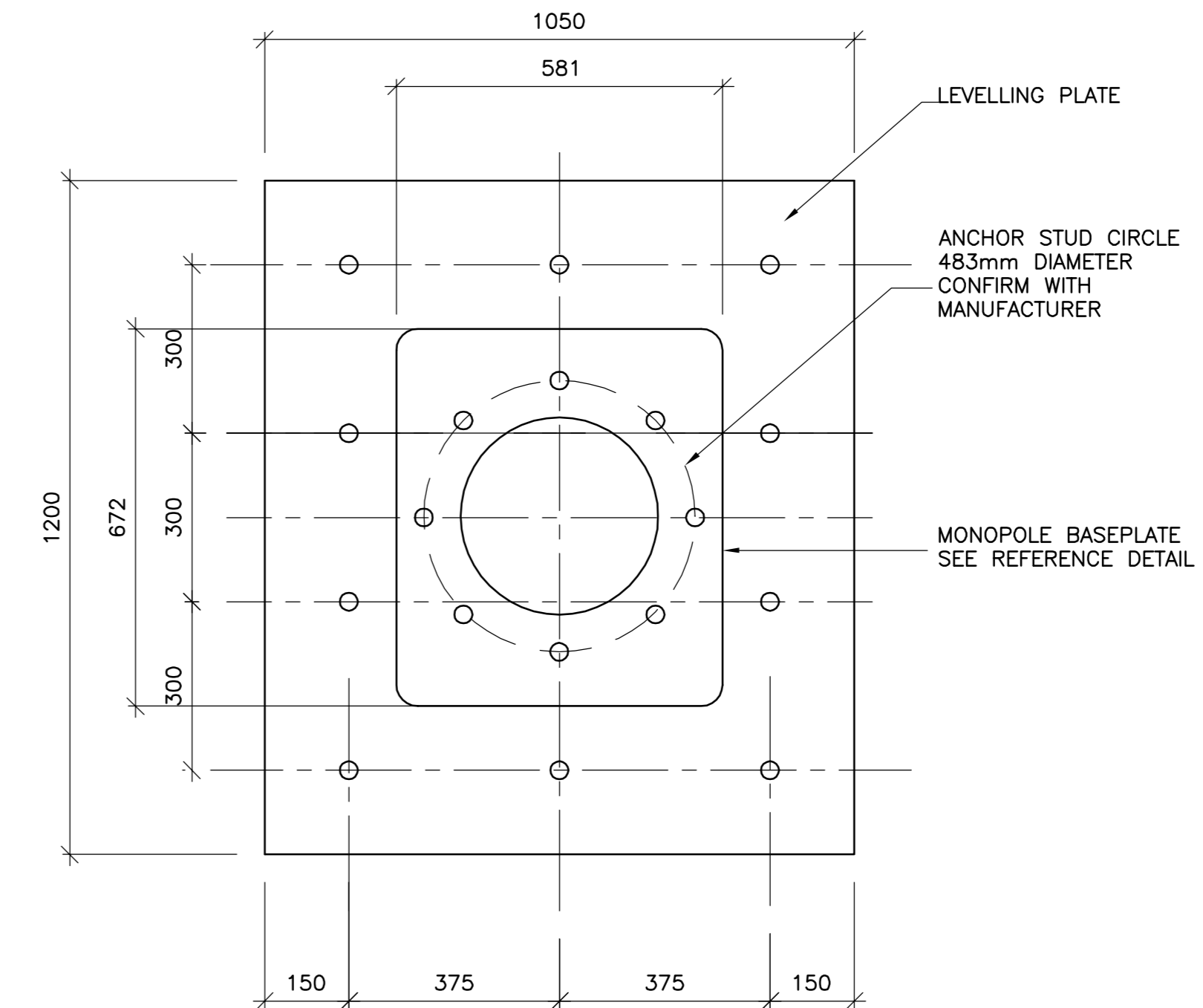


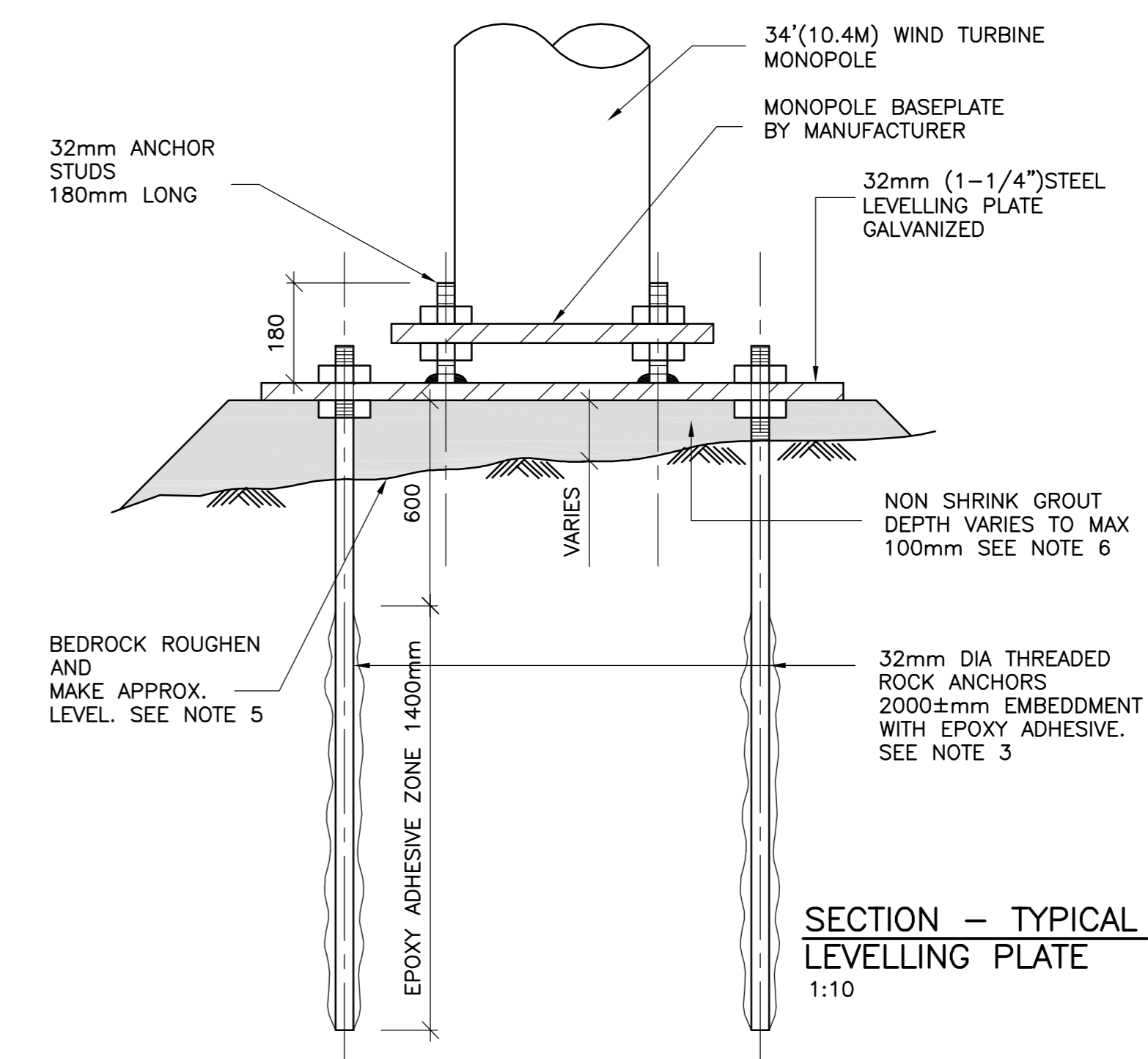
DETAIL - MONOPOLE BASE PLATE

1:10 FOR REFERENCE ONLY



PLAN - TYPICAL LEVELLING PLATE

1:10



SECTION - TYPICAL LEVELLING PLATE

1:10

GENERAL NOTES:

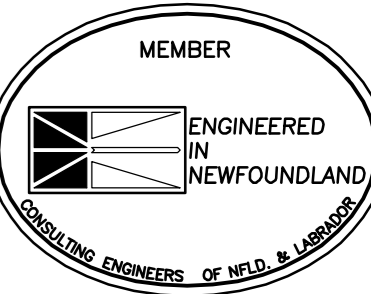
1. TOWER ANCHORING SYSTEM IS DESIGNED FOR USE WITH SKYSTREAM 3.7 WIND TURBINE SYSTEM UTILIZING A 10363mm (34'-0") STEEL TOWER.
2. LOADING INFORMATION PROVIDED BY MANUFACTURER AND IS BASED ON WIND SPEED OF 145MPH (232KPH) UNFACTORED.
3. ROCK ANCHOR SYSTEM STANDARD OF ACCEPTANCE IS HILTI SYSTEM USING HAS-E CARBON STEEL THREADED RODS TO 150 898 CLASS 5.8 WITH MIN TENSILE STRENGTH OF 72.5KSI (500MPA) AND MINIMUM YIELD STRENGTH OF 58KSI (400MPA) AND HIT-RE500 TWO PART EPOXY ADHESIVE, ALL INSTALLED TO MANUFACTURERS INSTRUCTIONS.
4. ALL STEEL COMPONENTS TO BE GALVANIZED.
5. AT EACH TURBINE LOCATION REMOVE OVERBURDEN, REMOVE ALL LOOSE AND WEATHERED BEDROCK, ROUGHEN AND MAKE LEVEL TO WITHIN 100mm. ENSURE SOUND ROCK AT EACH LOCATION.
6. NON SHRINK GROUT SHALL BE SUITABLE FOR EXPOSURE TO HARSH SEA ENVIRONMENT. SUBMIT PRODUCT DATA FOR APPROVAL BY ENGINEER.
7. REFER TO GEOTECHNICAL REPORTS BY AMEC FOSTER WHEELER FOR EACH SITE. ROCK ANCHOR DESIGN BASED ON INTERPOLATED COMPRESSIVE STRENGTH VARIES FROM 21 TO 35 MPA FOR GREEN ISLAND AND 25 TO 46 MPA FOR PUFFIN ISLAND.

A detail no.
B location drawing no.
C drawing no. where detailed

notes:

2.	RE-ISSUED FOR REVIEW	JULY 8, 2016
1.	ISSUED FOR REVIEW	MARCH 15, 2016
no.	revision	date

PROVINCE OF NEWFOUNDLAND
PERMIT HOLDER
CLASS "A"
This Permit Allows
ATLANTIC ENG. CONSULTANTS LTD.
To practice Professional Engineering
in Newfoundland & Labrador.
Permit No. 44 issued by AFRON D0172,
which is valid for the year 2016.



ATLANTIC ENGINEERING
CONSULTANTS LTD.
CIVIL, STRUCTURAL,
MUNICIPAL, ELECTRICAL,
MECHANICAL
ENGINEERS, PLANNERS
AND PROJECT MANAGERS
34 Main Street, Corner Brook, Newfoundland A2H 1C3
(709) 634-3612 Fax No(709)634-4628

sub consultant

client
L&B ELECTRIC LTD.
BRIDGEWATER
NOVA SCOTIA

project
WIND TURBINES
GREEN ISLAND (BURIN)
PUFFIN ISLAND (BONAVISTA)

drawing title
TOWER ANCHORING SYSTEM

drawn C.R.
designed D.J.D.
checked D.J.D.
approved D.J. DICESARE
scale AS NOTED
date FEB 2016
project no. 16-3066

seal

drawing no:
S1 of 1