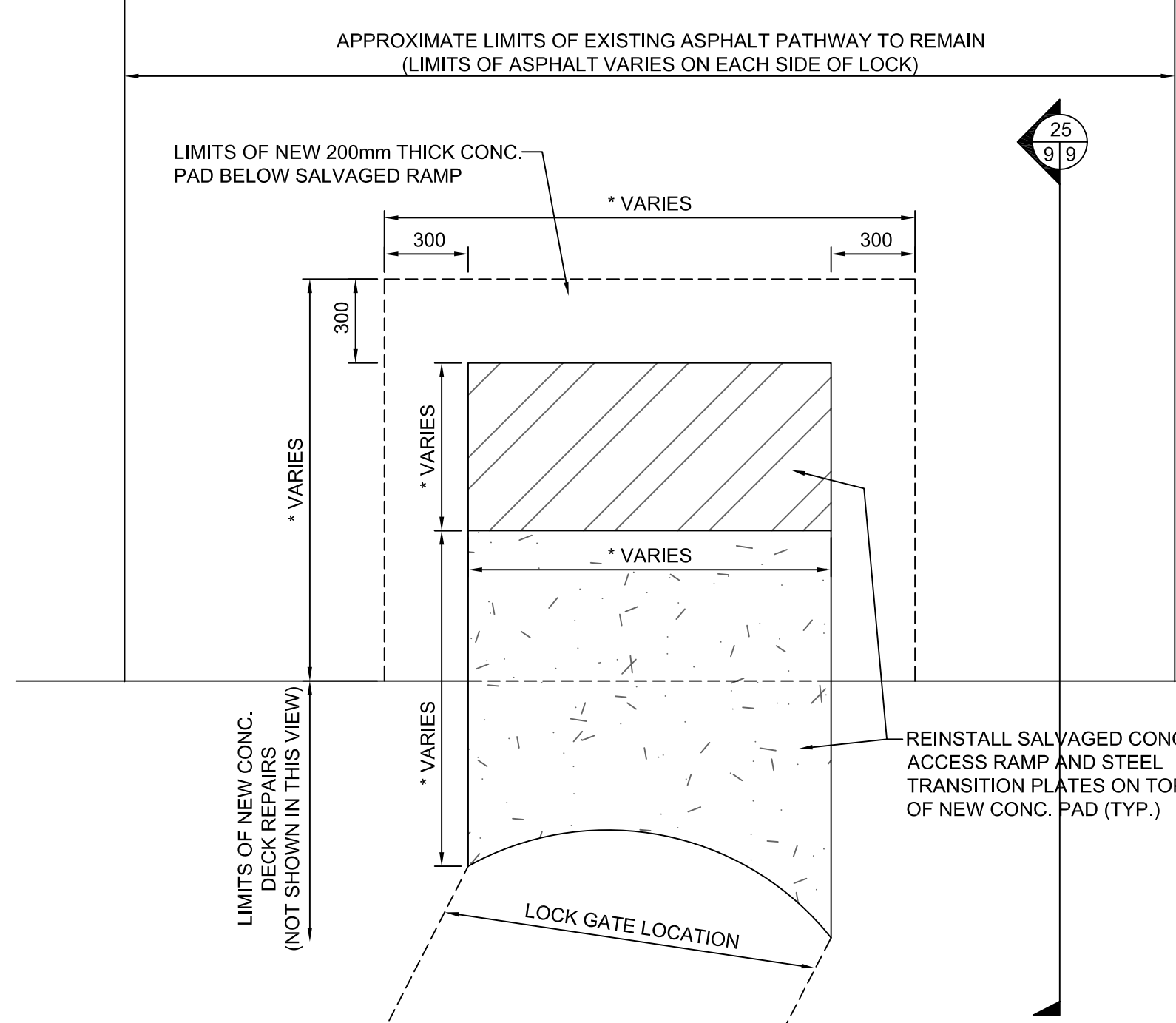
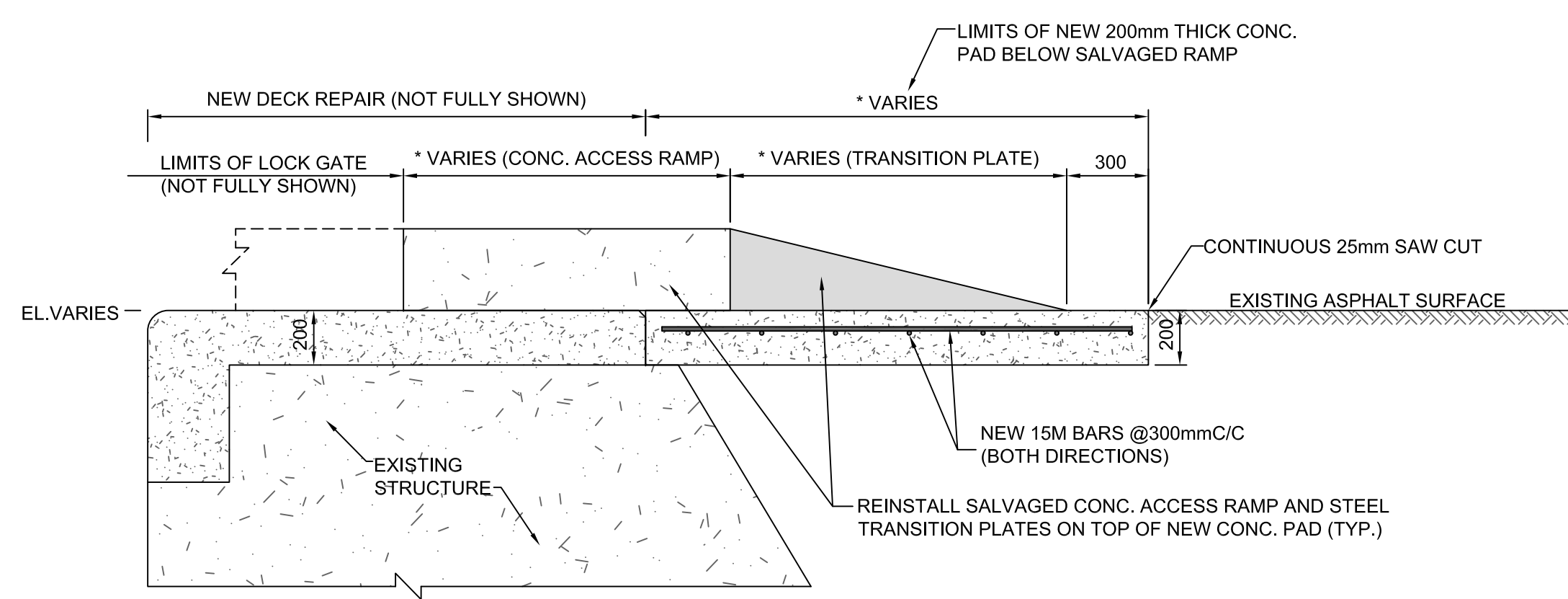


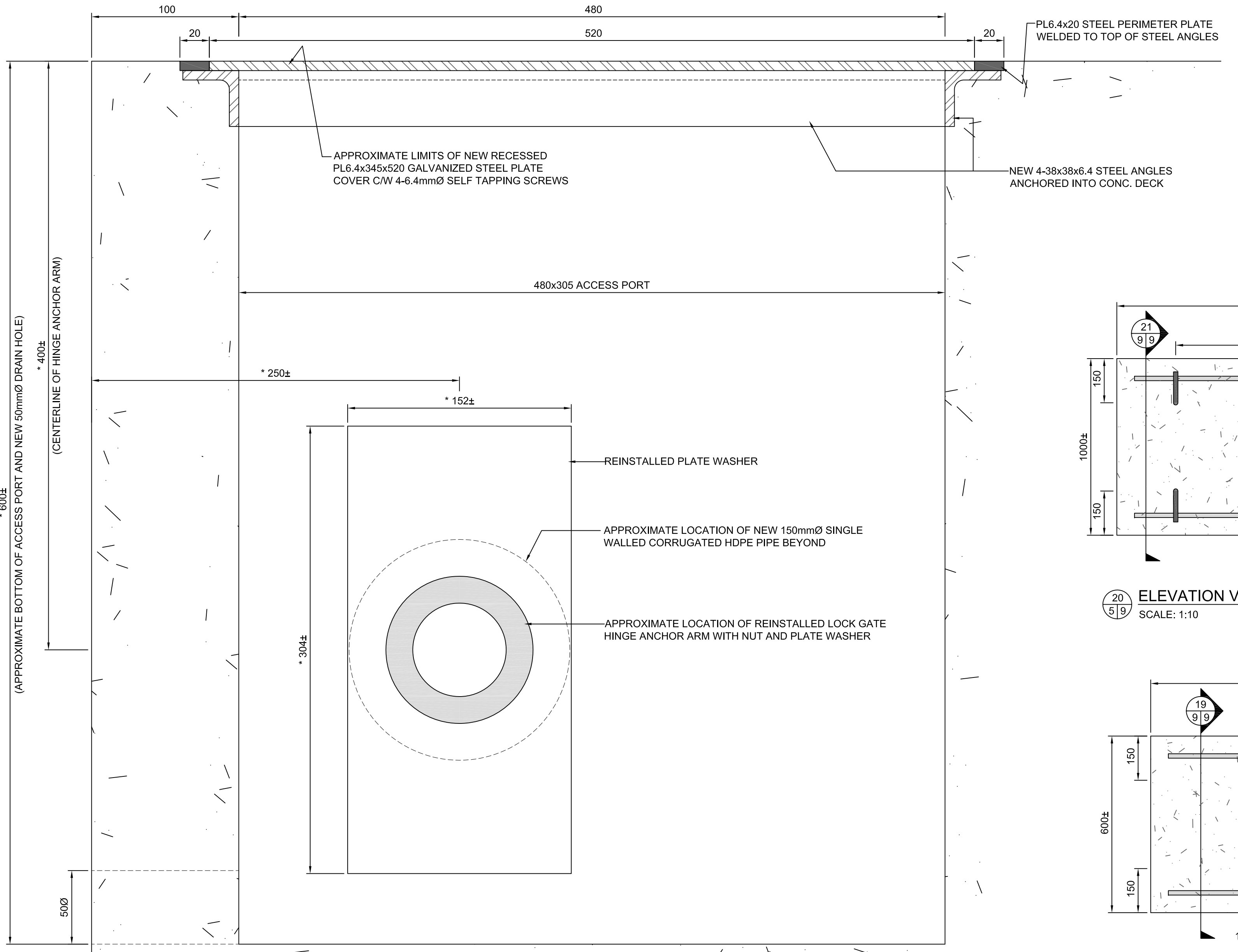
16
7/9 TYP. NEW ACCESS PORT PLAN DETAIL
SCALE: 1:5



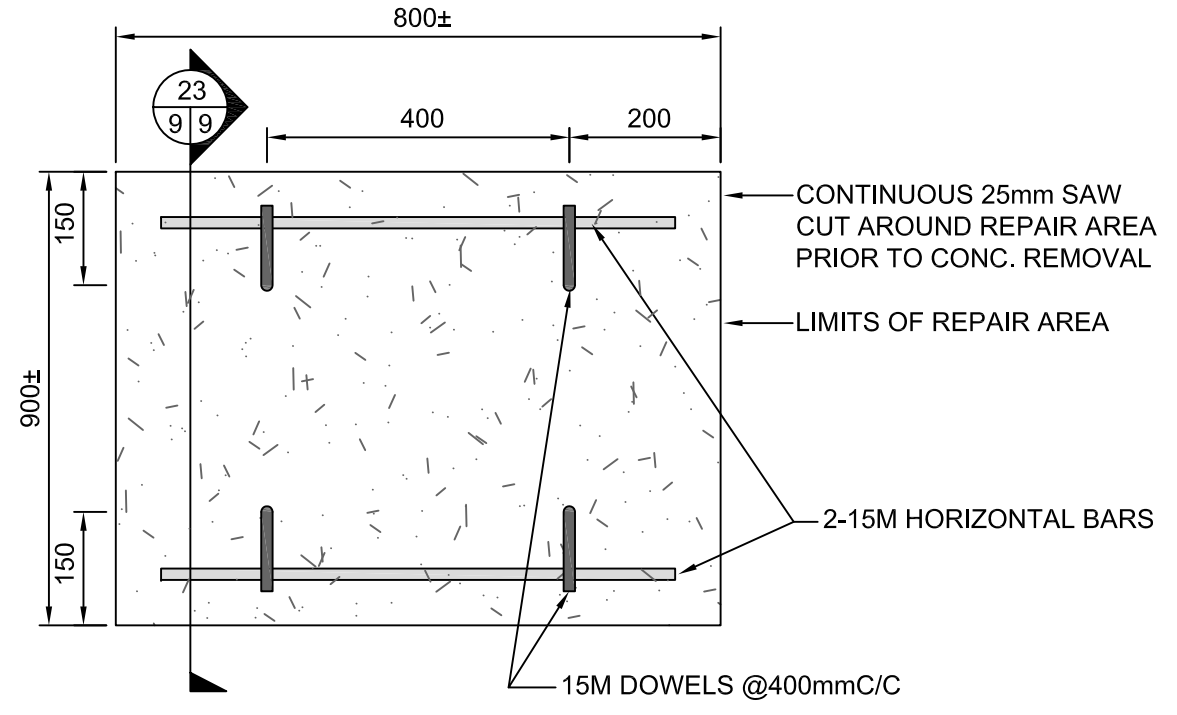
24
5/9 TYP. CONC. RAMP AND CONC. PAD REPAIR DETAIL (EAST & WEST)
SCALE: 1:20



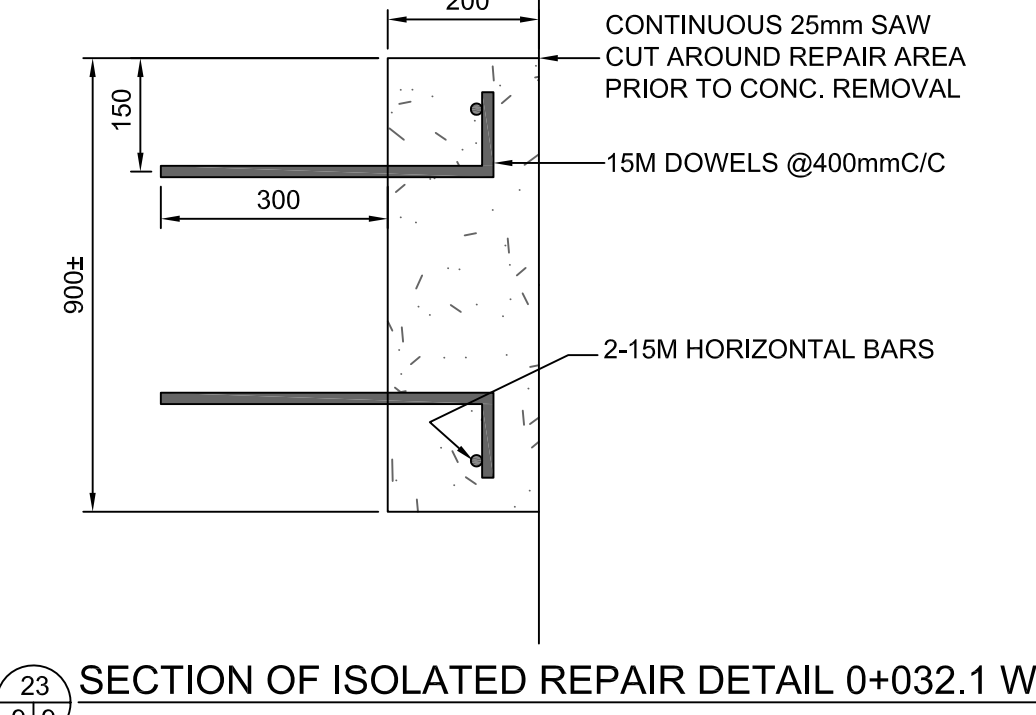
25
9/9 TYP. CONC. RAMP AND CONC. PAD REPAIR DETAIL (EAST & WEST)
SCALE: 1:20



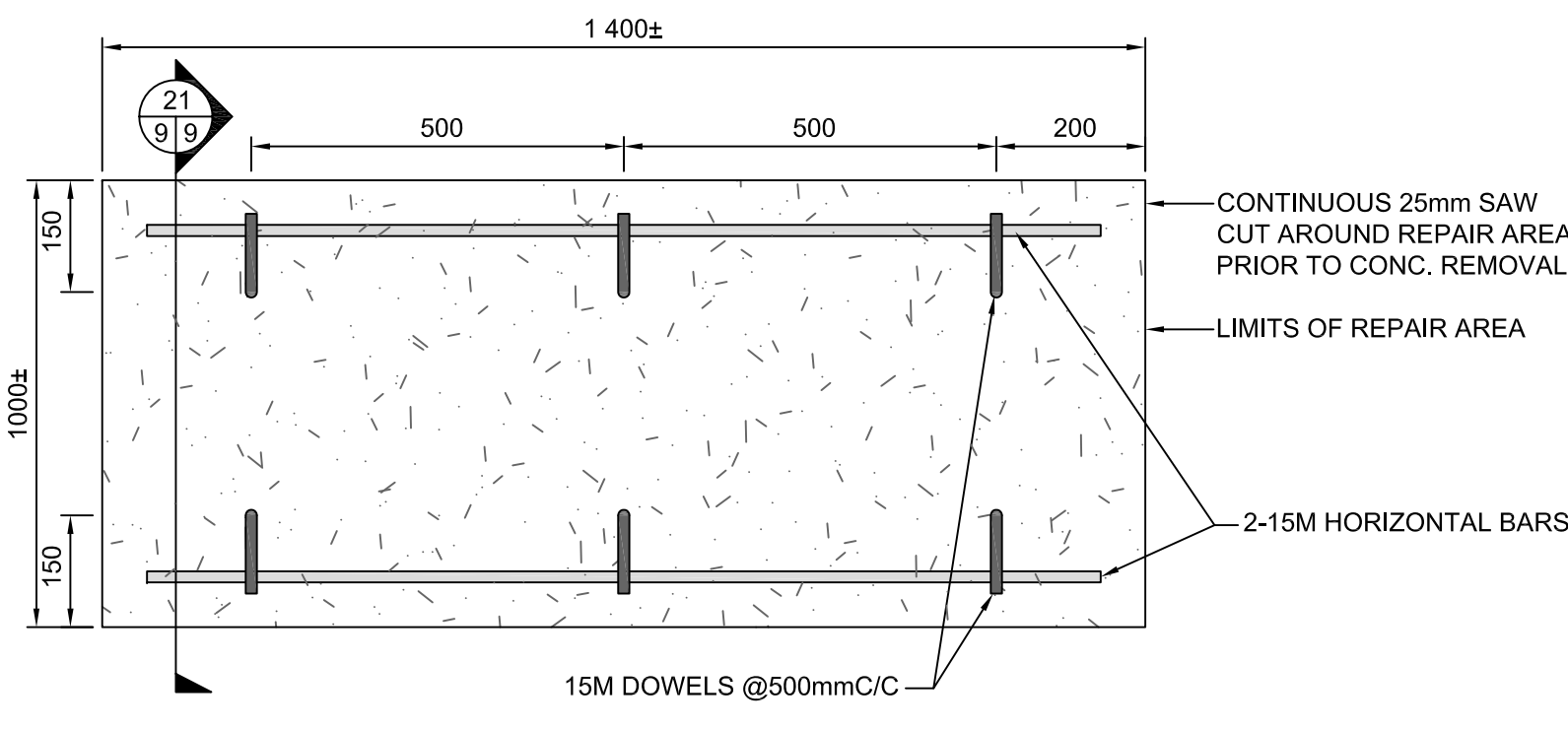
17
9/9 TYP. SECTION OF NEW ACCESS PORT
SCALE: 1:2



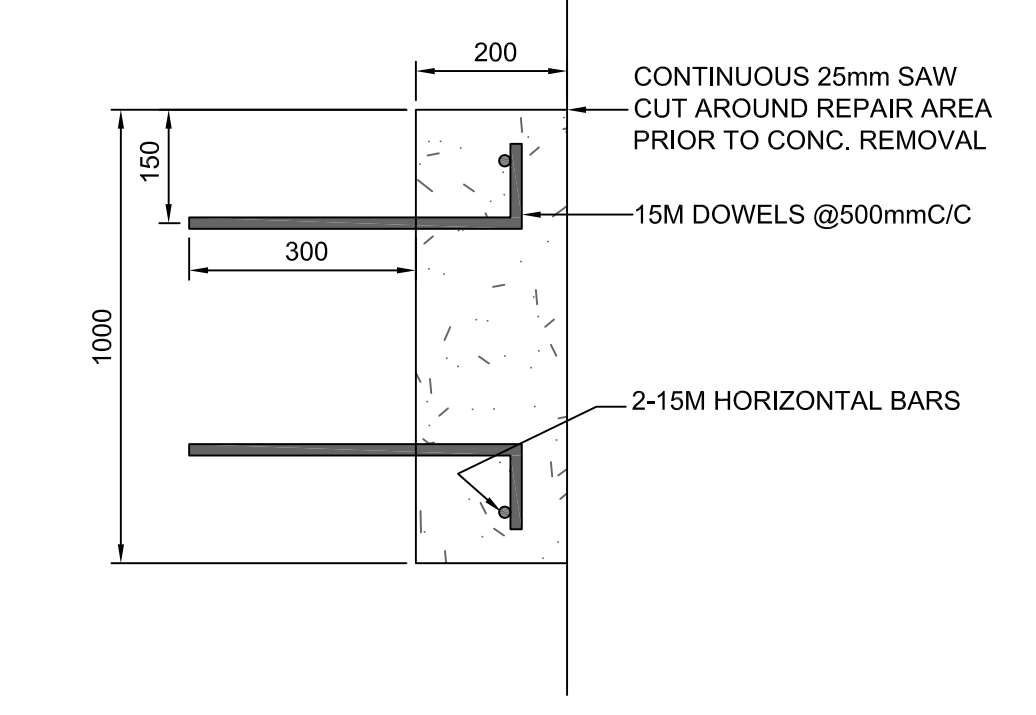
22
5/9 ELEVATION VIEW OF ISOLATED REPAIR DETAIL 0+032.1 W-L
SCALE: 1:10



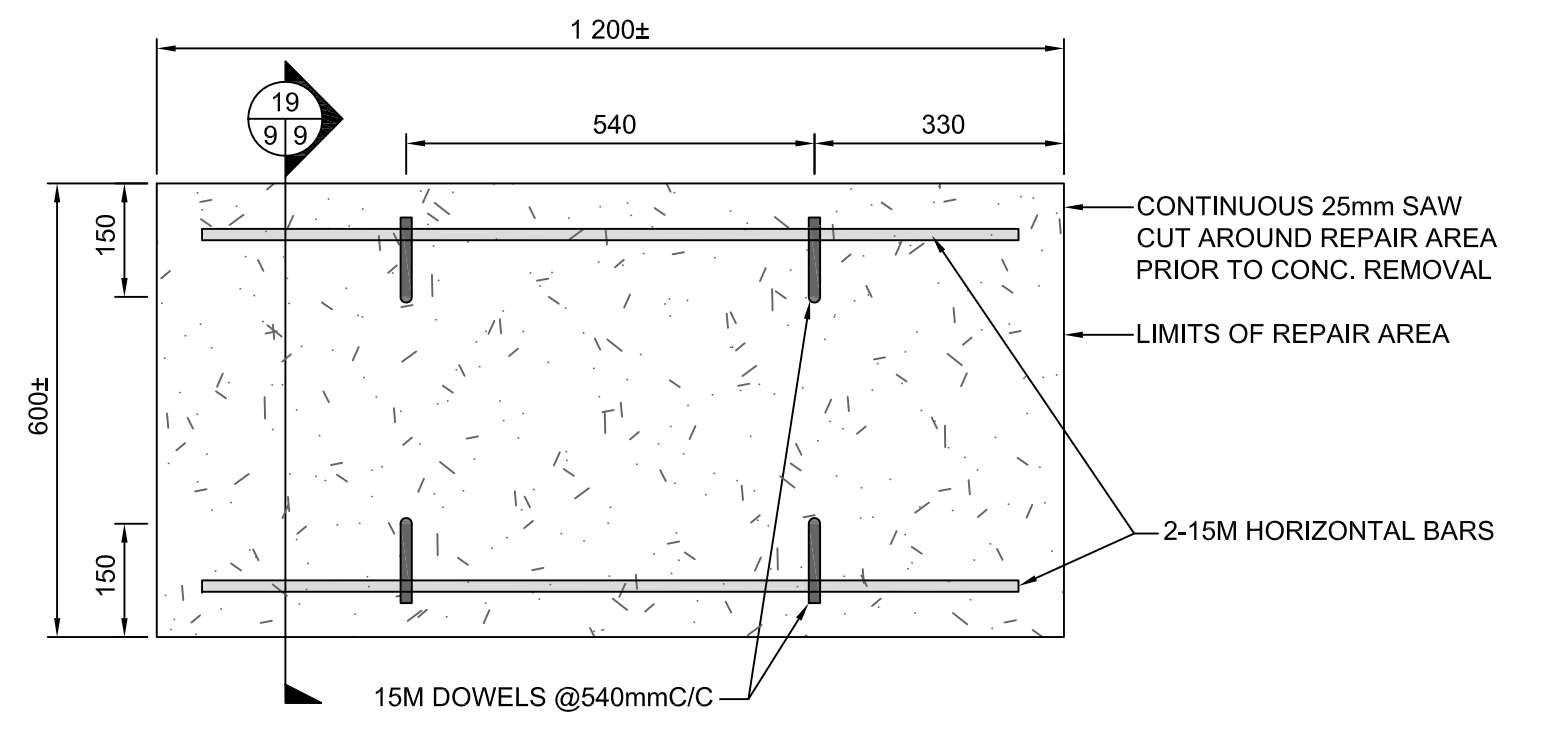
23
9/9 SECTION OF ISOLATED REPAIR DETAIL 0+032.1 W-L
SCALE: 1:10



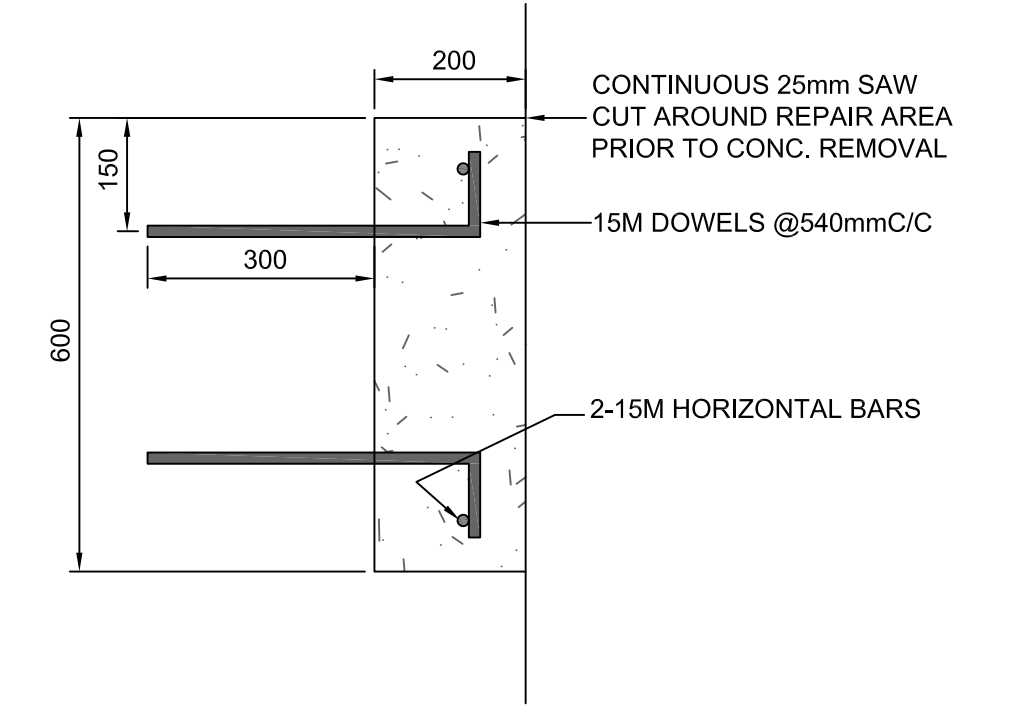
20
5/9 ELEVATION VIEW OF ISOLATED REPAIR DETAIL 0+026 W-L
SCALE: 1:10



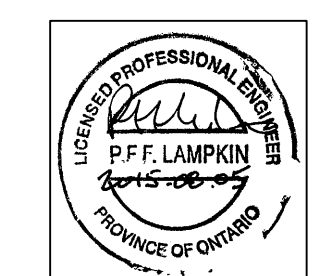
21
9/9 SECTION OF ISOLATED REPAIR DETAIL 0+026 W-L
SCALE: 1:10



18
5/9 ELEVATION VIEW OF ISOLATED REPAIR DETAIL 0+017.5 W-L
SCALE: 1:10



19
9/9 SECTION OF ISOLATED REPAIR DETAIL 0+017.5 W-L
SCALE: 1:10



revision	description	date
2	REVISED DETAILS	2016/09/21
1	REVISED DETAILS	2016/08/22

Do not scale drawings.
Verify all dimensions and conditions on site and immediately notify the department representative of all discrepancies.

A	B	C
Detail No. No. du détail	drawing no. - where detail required dessin no. - où détail exigé	drawing no. - where detailed dessin no. - où détaillé

project title
titre du projet
PETERBOROUGH ONTARIO

CONCRETE REHABILITATION LOCK 26, TRENT SEVERN WATERWAY, PARKS CANADA AGENCY

drawing title
titre du dessin
LOCK 26 TYP. DETAILS

drawn by
dessiné par
A.MARCZENKO

designed by
conc par
P.L. / W.H. / A.M.

approved by
approuvé par
P.LAMPKIN

tender submission
DUNCAN MANSER project manager
administrateur de projets

project date
date du projet
JULY 29, 2015

project no.
no. du projet
30029883-4532-36

drawing no.
dessiné no.
MA-09