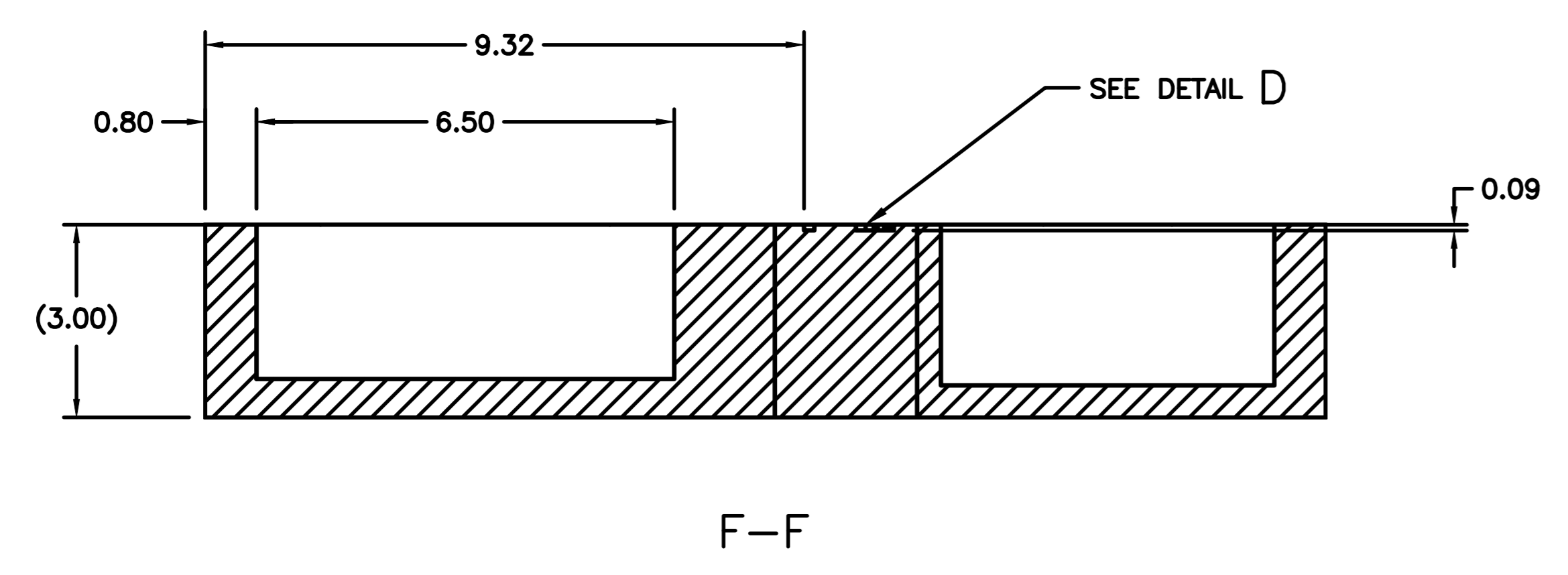
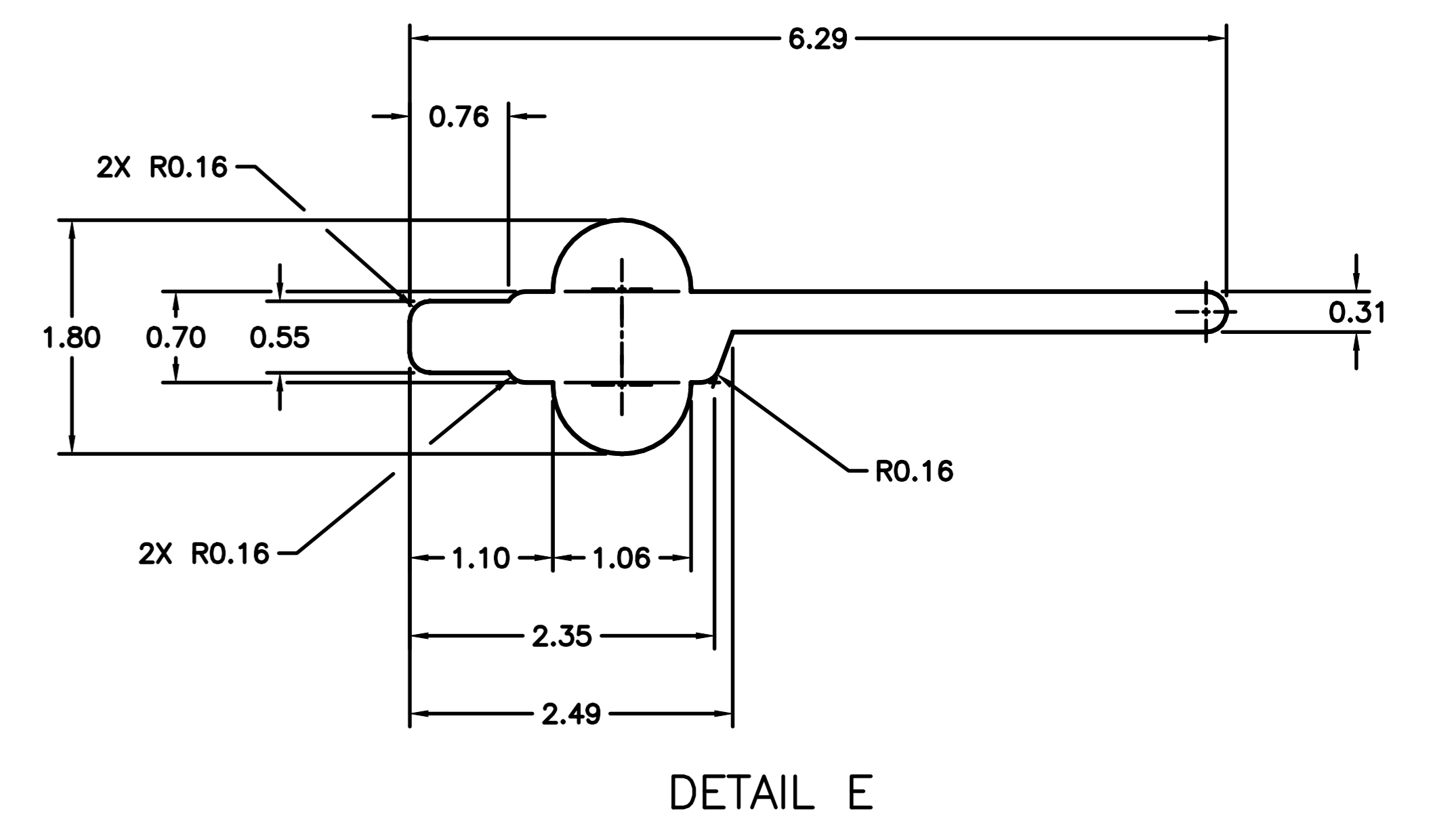
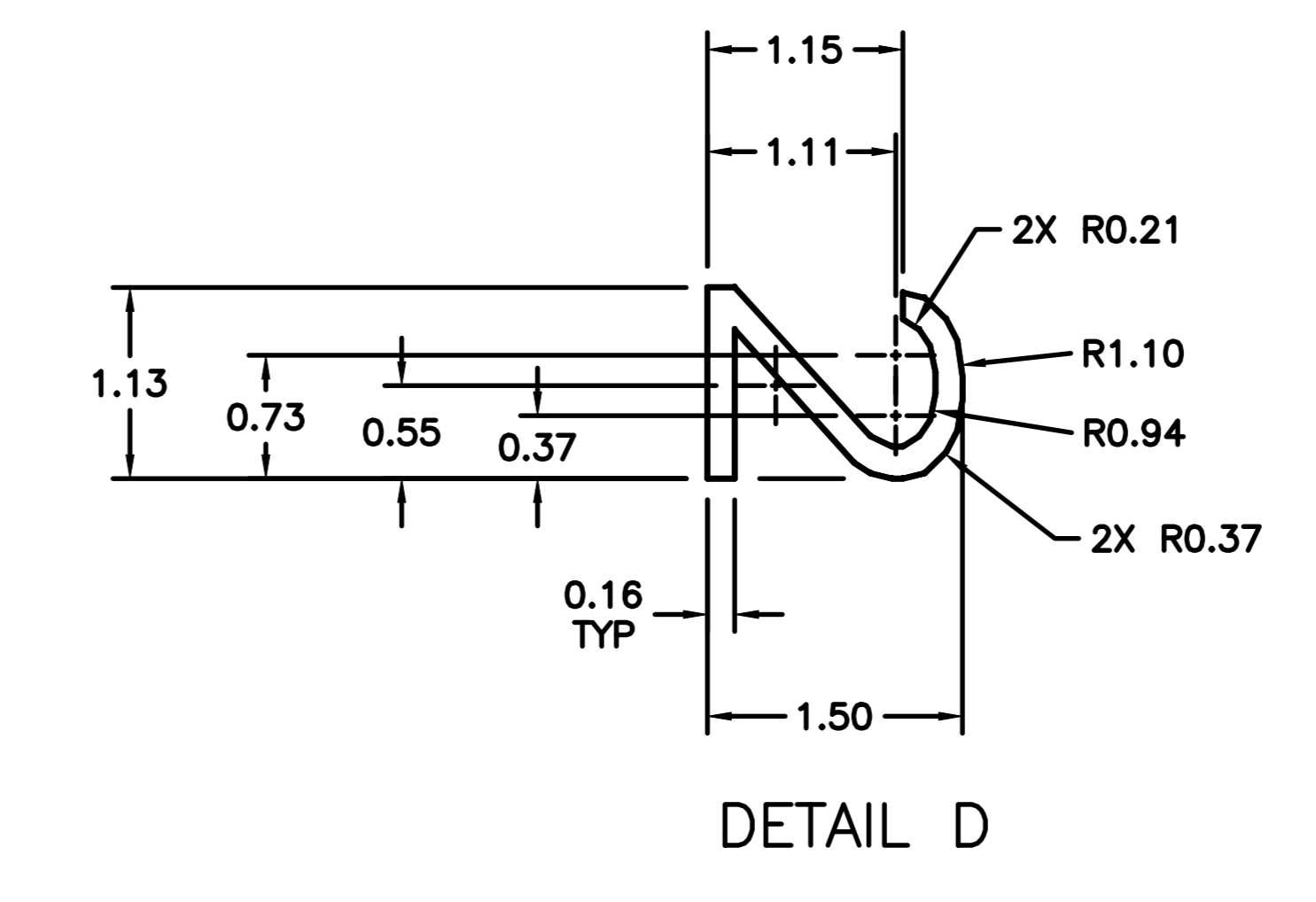
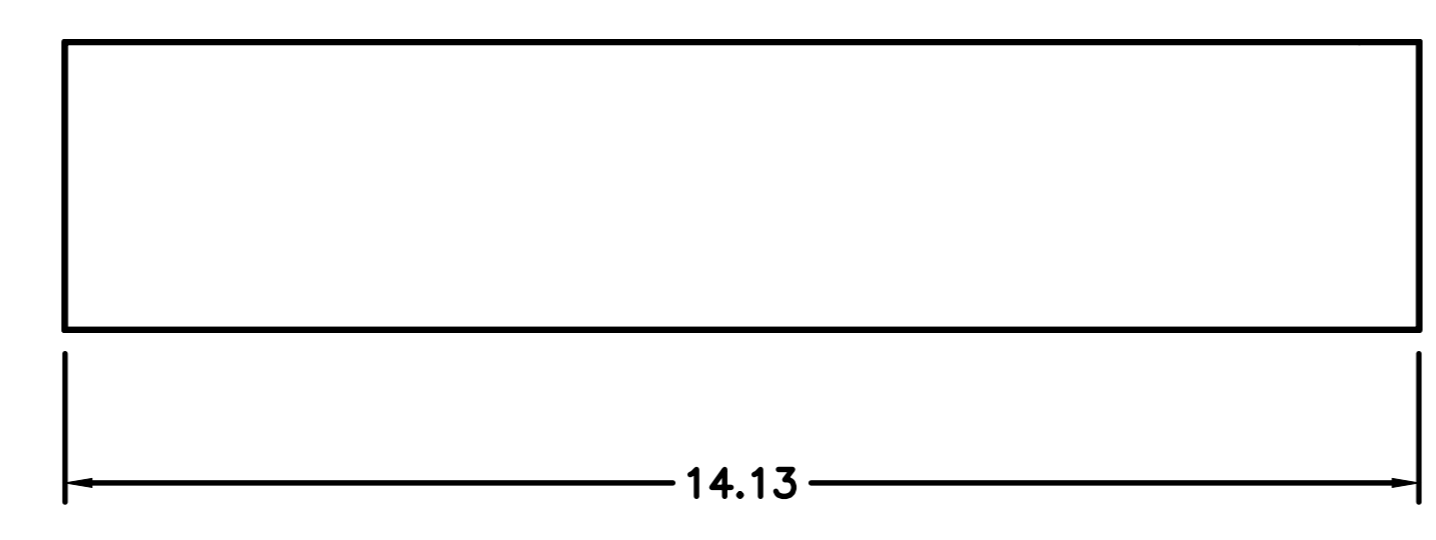
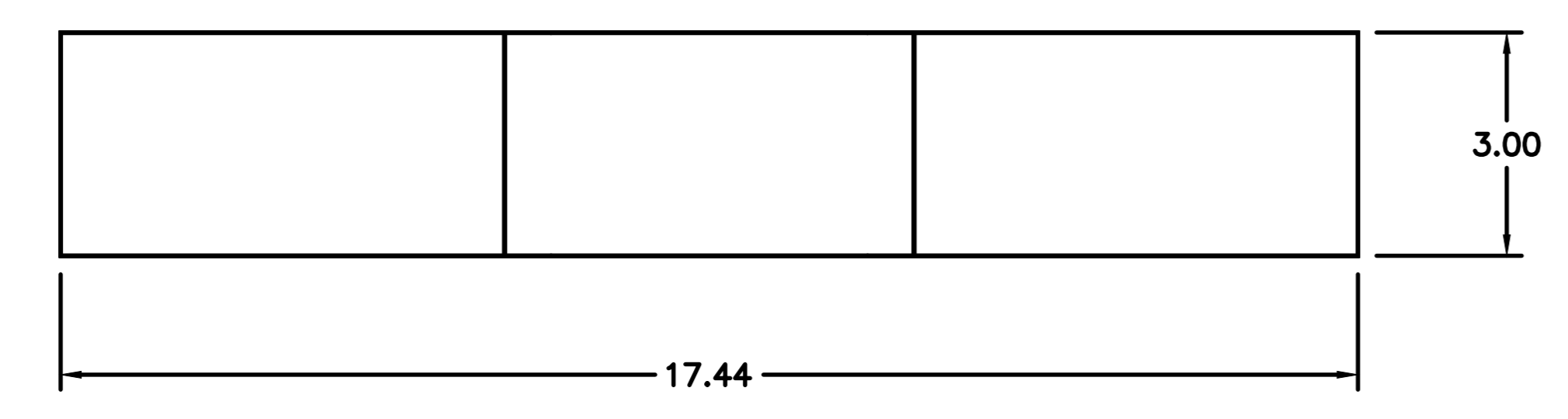
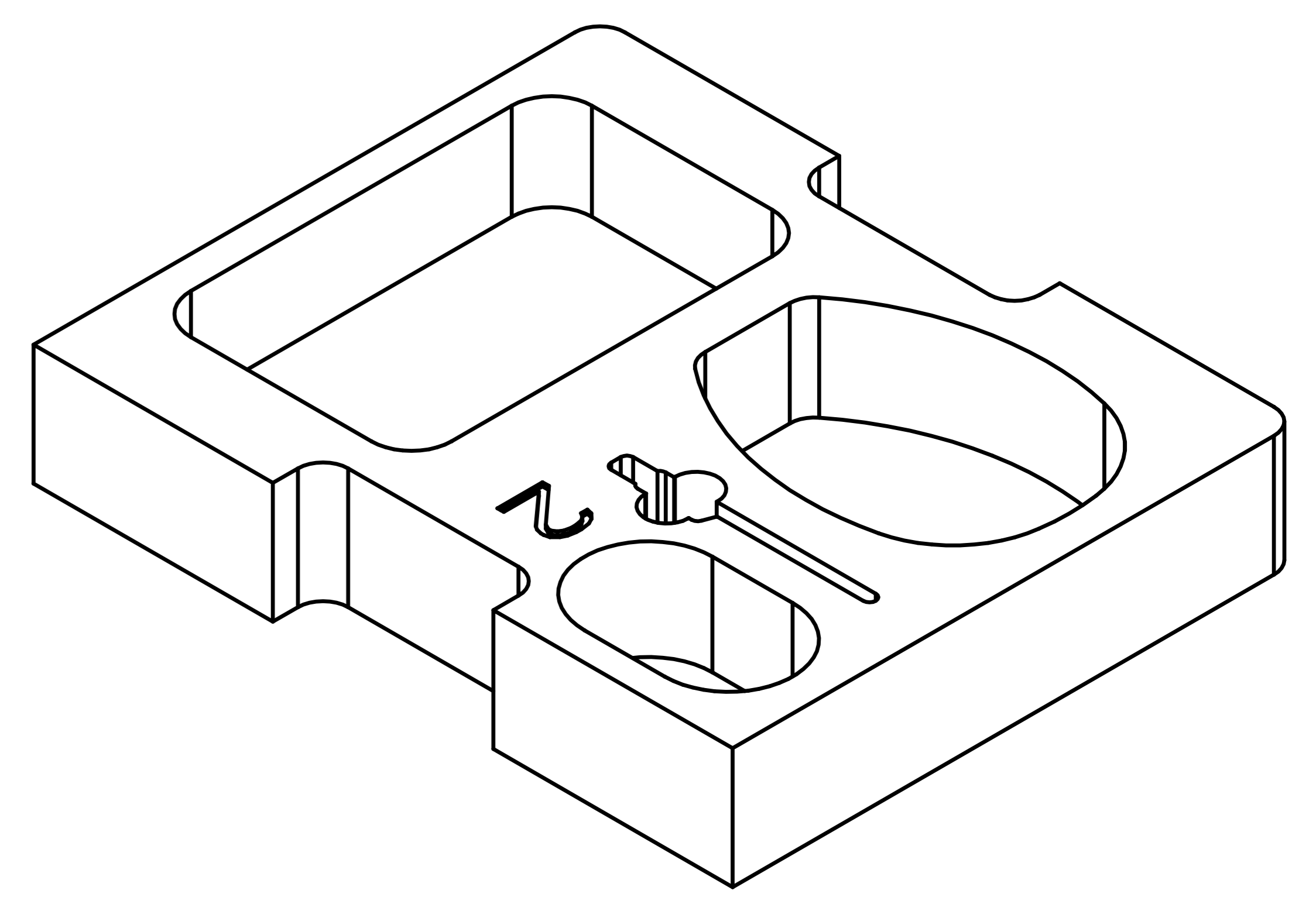
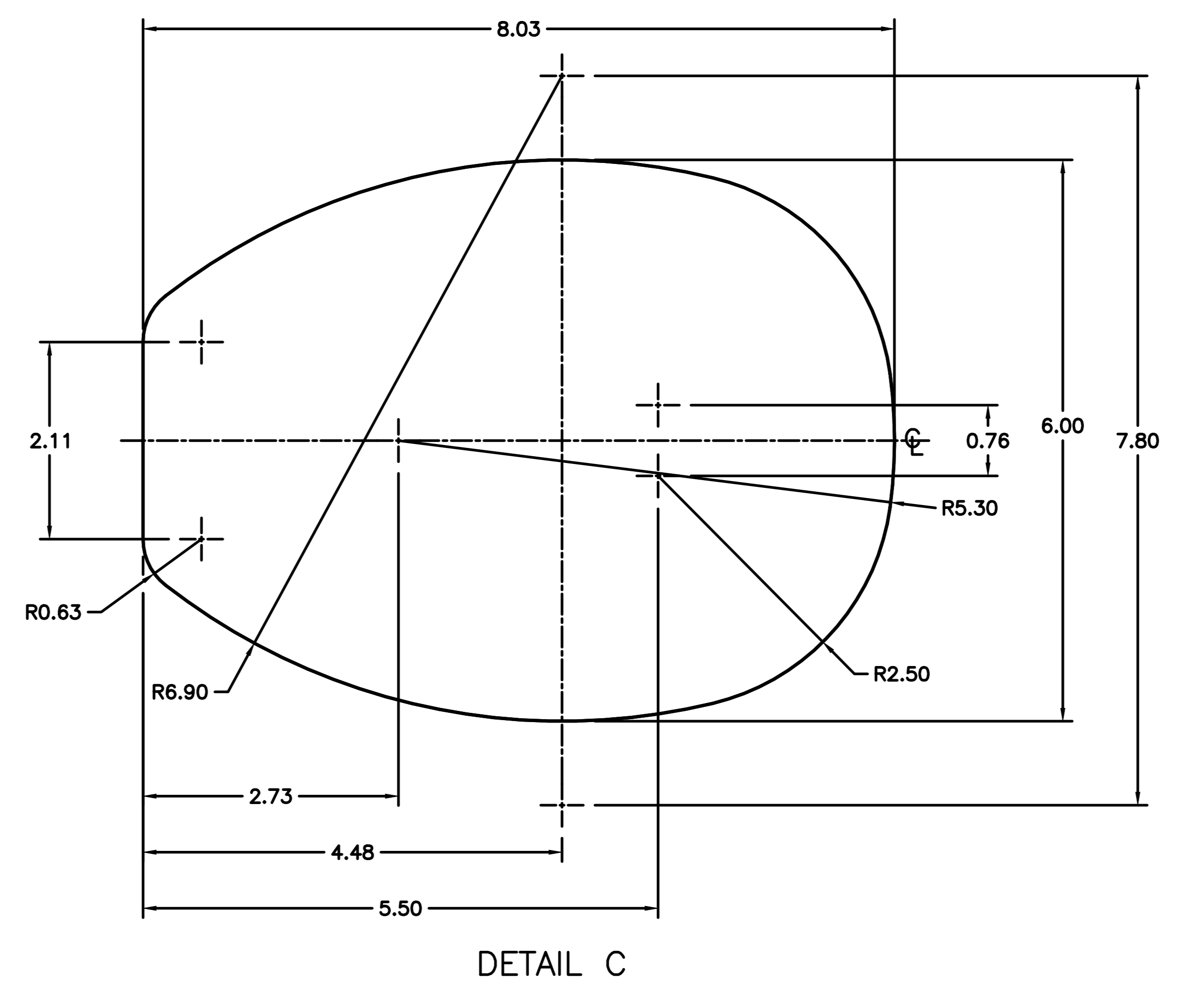
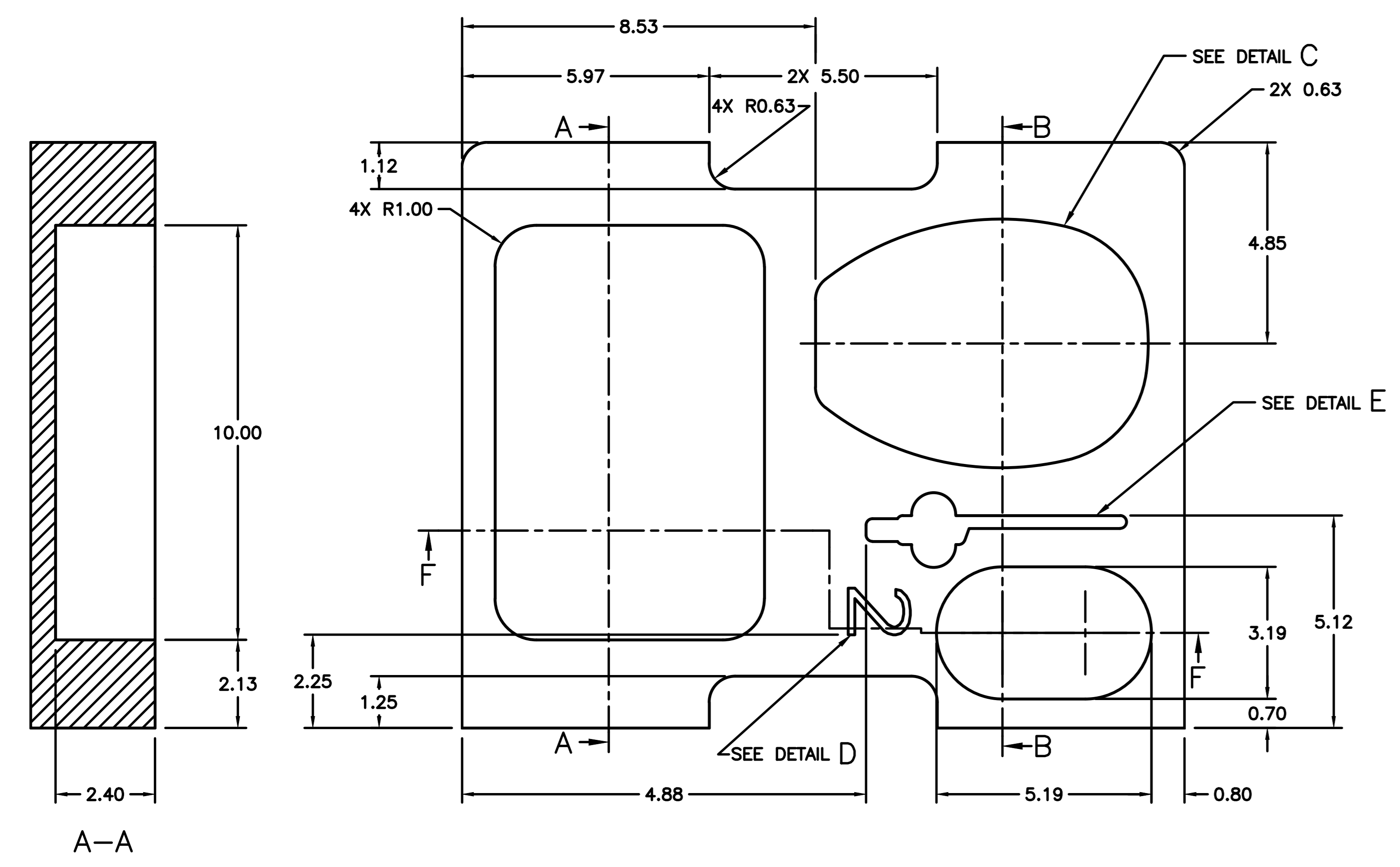
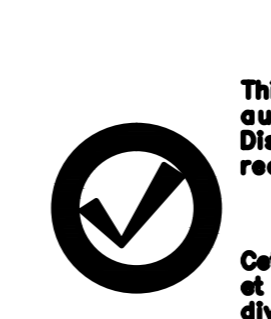


NO	ITEM NO DE L'ART	IDENTIFYING NO D'IDENTIFICATION	NOMENCLATURE/DESCRIPTION	SPECIFICATION	CODE IDENT CODE D'IDENT
1	1	PLASTAZOTE LD45	FOAM, LOW DENSITY POLYETHYLENE, COLOUR CHARCOAL	COMMERCIAL	



NOTICE
 THE DEPARTMENT OF NATIONAL DEFENCE DOES NOT WARRANT OR GUARANTEE THE CORRECTNESS OR ACCURACY OF THE INFORMATION CONTAINED IN THIS DOCUMENT FOR OTHER THAN OFFICIAL DEFENCE PURPOSES. THE DEPARTMENT OF NATIONAL DEFENCE DOES NOT GRANT ANY LICENCE, CONVEY ANY INTELLECTUAL PROPERTY RIGHTS, OR GIVE PERMISSION FOR ANY USE IN WHOLE OR IN PART BY ANY RECEPT, HOLDER OR USER OF THIS DOCUMENT, AND ANY SUCH PERSON USING THIS DOCUMENT OR THE INFORMATION THEREIN DOES SO AT THEIR OWN RISK.

AVIS
 LE MINISTRE DE LA DEFENSE NATIONALE NE GARANTIT PAS L'EXACTITUDE DE L'INFORMATION CONTENUE DANS LE PRESENT DOCUMENT POUR DES FINS AUTRES QUE POUR LA DEFENSE NATIONALE. LE MINISTRE DE LA DEFENSE NATIONALE N'ACCORDE AUCUNE LICENCE, NE DONNE AUCUN DROIT DE PROPRIETE INTELLECTUELLE ET NE DONNE AUCUNE PERMISSION POUR QUELQUE UTILISATION QUE CE SOIT, EN TOUT OU EN PARTIE, PAR TOUT DESTINATAIRE, DETENTEUR OU UTILISATEUR DU PRESENT DOCUMENT, TOUTE PERSONNE UTILISANT LE PRESENT DOCUMENT OU L'INFORMATION QU'IL CONTIENT LE FAIT A SES PROPRES RISQUES.



NOTICE
 This documentation has been reviewed by the technical authority and does not contain controlled goods. Disclosure notices and handling instructions originally received with the document shall continue to apply.

UNLESS OTHERWISE SPECIFIED/SAUF INDICATION CONTRAIRE:
 1. DIMENSIONS ARE IN/DIMENSIONS SONT EN INCHES/POUCHES
 2. TOLERANCES
 FRACTIONS ±
 DECIMALS .XXX ± 0.010
 DECIMALS .XX ± 0.03
 DECIMALS .X ± 0.5
 ANGLES ± 0.5°
 3. SURFACE FINISH
 FINIS DE SURFACES

APPLICATION/USAGE
 1587059
 1587071
 1587073

TDAN 154471085		REVISION		DATE	DWN DES	QKD VER	APPL APP
ZONE	LTR LET						
National Defence		Defense nationale		Canada		CF APPM/APP R LCSM DRAC/LCS/EDS/NGRI, CFSSG	
DWN/DESS	A.M.	QKD/VER	G.M.	INSPECT/INSPECTE	DSGO 4-3	APPL DATE D'APPROB 2016-02-05	
DESIGN AGENT/CONCEPTION	NRC	NSCM/CAOP	35907	TITLE/TITRE		DRAWING NO DU DESSIN 1587054	
INTERPRETATION/CF STD D-01-400-001/SC-000		SCALE/ECHELLE	1:2	SHEET FEUILLE		1 OF 1	