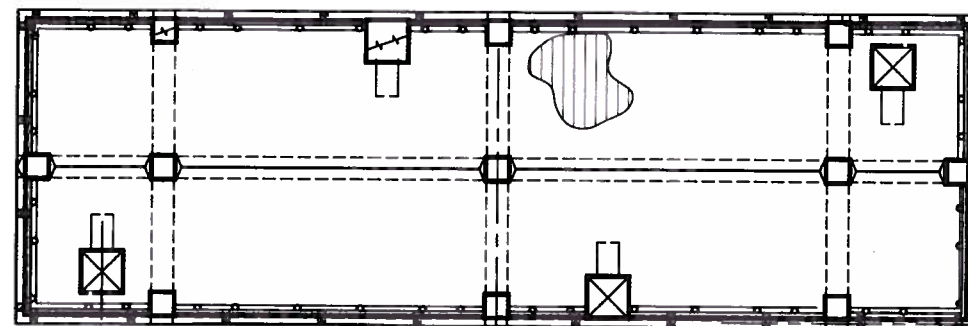
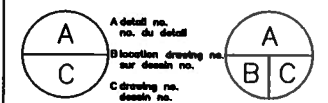


# FISHERIES AND OCEANS CANADA

## SMALL CRAFT HARBOURS STANDARD CONCRETE FLOAT MODULE 26.22m LONG x 8.537m WIDE x 1.695 DEEP



revisions / date



project / projet

FISHERIES AND OCEANS CANADA  
SMALL CRAFT HARBOURS  
CONCRETE FLOAT DOCK

drawing / dessin

PLAN of Standard Float

designed G.J. Gawdin / conçu

date 2015-11-18

drewn EB / dessiné

date 2015-11-18

approved / approuvé

date

Tender / soumission

PWOSC Project Manager / Administrateur de projet TPSOC

project number / no. du projet

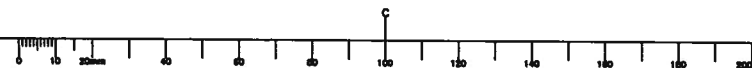
TRN.VHWY03002-01

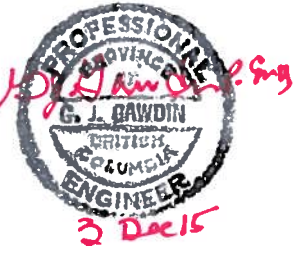
drawing no. / no. du dessin

56134-0801-R13-CONCRETE FLOAT-SHEET 1

### DRAWING LIST

DRAWING NUMBER	TITLE
56134-0801-R13-CONCRETE FLOAT-SHEET 1	TITLE PAGE (THIS SHEET)
56134-0801-R8-CONCRETE FLOAT-SHEET 2	CONCRETE OUTLINE, PLANS
56134-0801-R8-CONCRETE FLOAT-SHEET 3	REINFORCEMENT, FLOAT PLAN AND SECTIONS
56134-0801-R6-CONCRETE FLOAT-SHEET 4	REINFORCEMENT AT FLOAT CORNERS, SECTIONS AND DETAILS
56134-0801-R6-CONCRETE FLOAT-SHEET 5	REINFORCEMENT AT FLOAT CORNERS & WALL SECTIONS
56134-0801-R9-CONCRETE FLOAT-SHEET 6	METALWORK DETAILS
56134-0801-R5-CONCRETE FLOAT-SHEET 7	FLOTATION BILLET LAYOUTS AND HOISTING GUIDELINES
56134-0801-R7-CONCRETE FLOAT-SHEET 8	DUAL TYPE I TWO END TO END FLOAT LAYOUT
56134-0801-R6-CONCRETE FLOAT-SHEET 9	QUAD FOUR-FLOAT DOCK LAYOUT - MOORING WELLS IN LINE
56134-0801-R2-CONCRETE FLOAT-SHEET 10	PROPOSED MODIFICATIONS - FENDERING & FLOAT JOINING
56134-0801-R1-CONCRETE FLOAT-SHEET 11	MODIFICATION DETAILS - FENDERING DETAILS
56134-0801-R5-CONCRETE FLOAT-SHEET 12	MODIFICATION DETAILS - FLOAT CORNER WITHOUT FLOAT TO FLOAT STEEL BAR CONNECTORS
56134-0801-R7-CONCRETE FLOAT-SHEET 13	PLAN VIEW LAYOUT - CONCRETE OUTLINE, QUAD FLOAT WITH STAGGERED WELLS
56134-0801-0-CONCRETE FLOAT-SHEET 14	PLAN VIEW LAYOUT - CONCRETE OUTLINE, SINGLE-FLOAT WITH TRAPEZOIDAL SHAPE
56134-0801-R2-CONCRETE FLOAT-SHEET 15	DRAIN HOLE & EMBED LAYOUT-SINGLE, DUAL TYPE I, QUAD TYPE II
56134-0801-R1-CONCRETE FLOAT-SHEET 16	QUAD TYPE III
56134-0801-R1-CONCRETE FLOAT-SHEET 17	QUAD TYPE IV - DRAIN HOLE & EMBED LAYOUT
56134-0801-R2-CONCRETE FLOAT-SHEET 18	DUAL TYPE II - TWO FLOAT SIDE BY SIDE LAYOUT
56134-0801-0-CONCRETE FLOAT-SHEET 19	COMPOSITE FENDER ARRANGEMENTS
56134-0801-0-CONCRETE FLOAT-SHEET 20	DUAL TYPE II - ADJUSTED CONCRETE OUTLINE
56134-0801-0-CONCRETE FLOAT-SHEET 21	FLOAT JOINING DETAILS



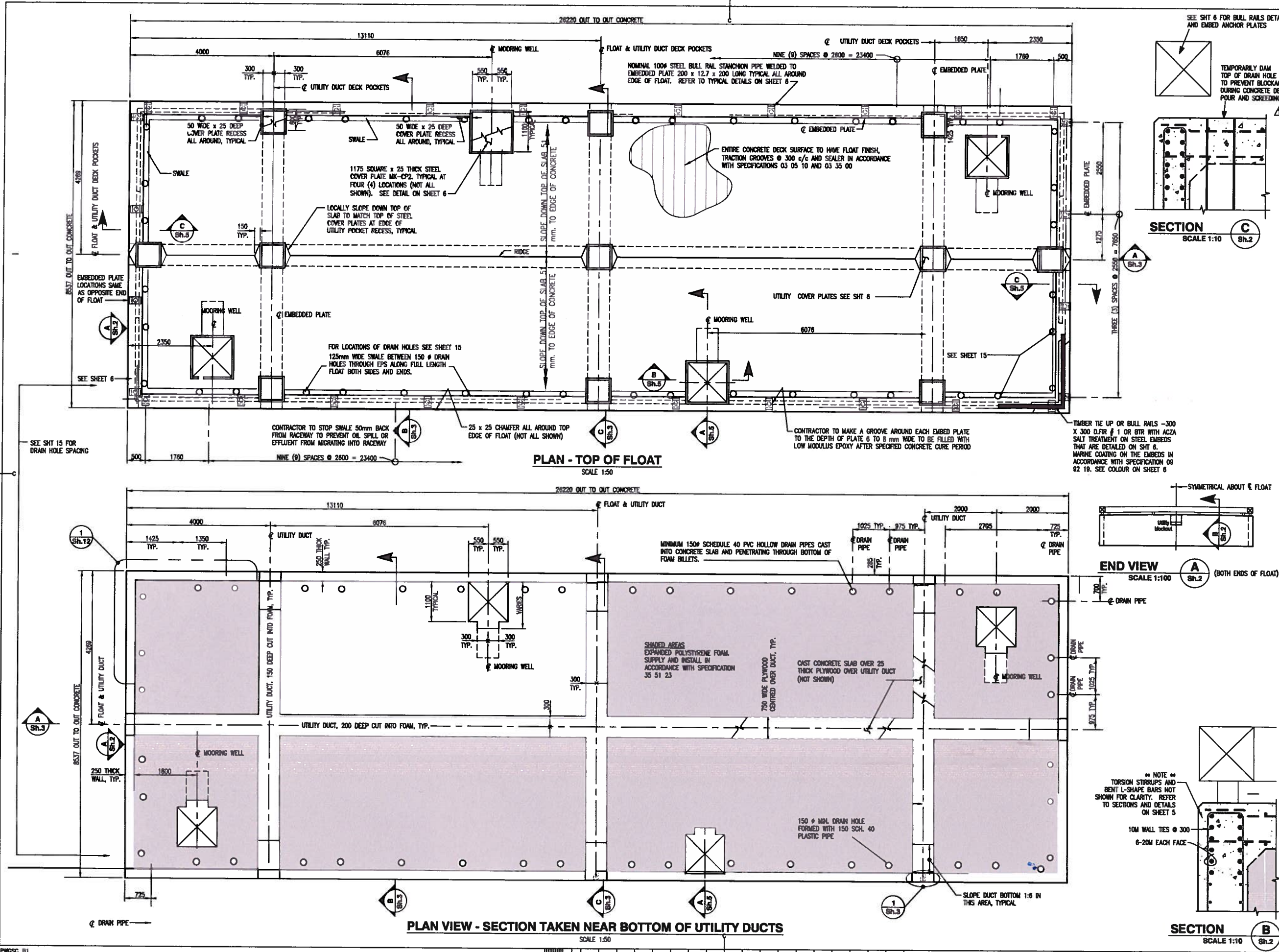


revision	date
A	Detail no. no. du détail
B	Location drawing no. sur dessin no.
C	Drawing no. dessin no.

**FISHERIES AND OCEANS CANADA  
SMALL CRAFT HARBOURS  
STANDARD CONCRETE FLOAT  
MODULE 26.22m x 8.537m**

**CONCRETE OUTLINE PLANS**

designed	GJG	conçu
date	2015-11-18	
drawn	EB	dessiné
date	2015-11-18	
approved		approuvé
date		
Tender		Soumission
PWSOC Project Manager	Administrateur de projets TPSCC	
project number	TRN.VHWT03002-01	no. du projet
drawing no.	86134-0801-R8-CONCRETE FLOAT-SHEET 2	no. du dessin

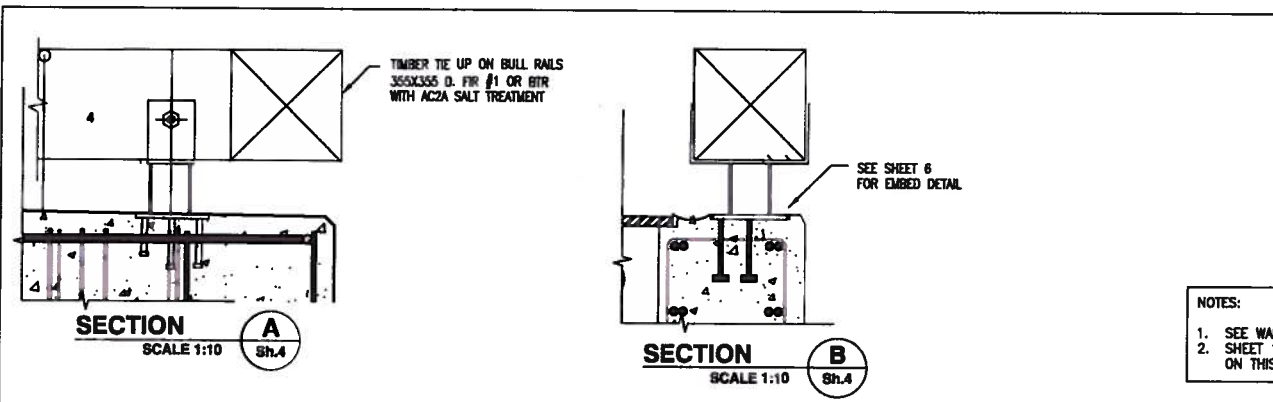
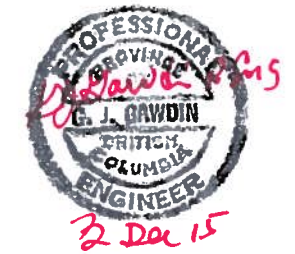


Plot Scale: 1:1  
PWSC 81



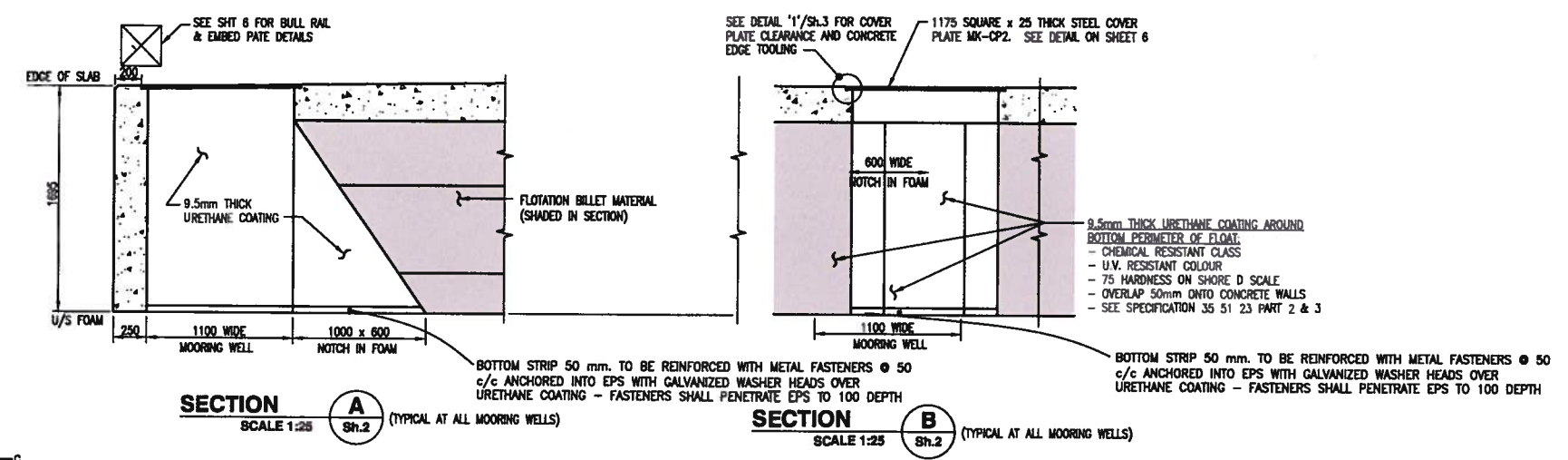




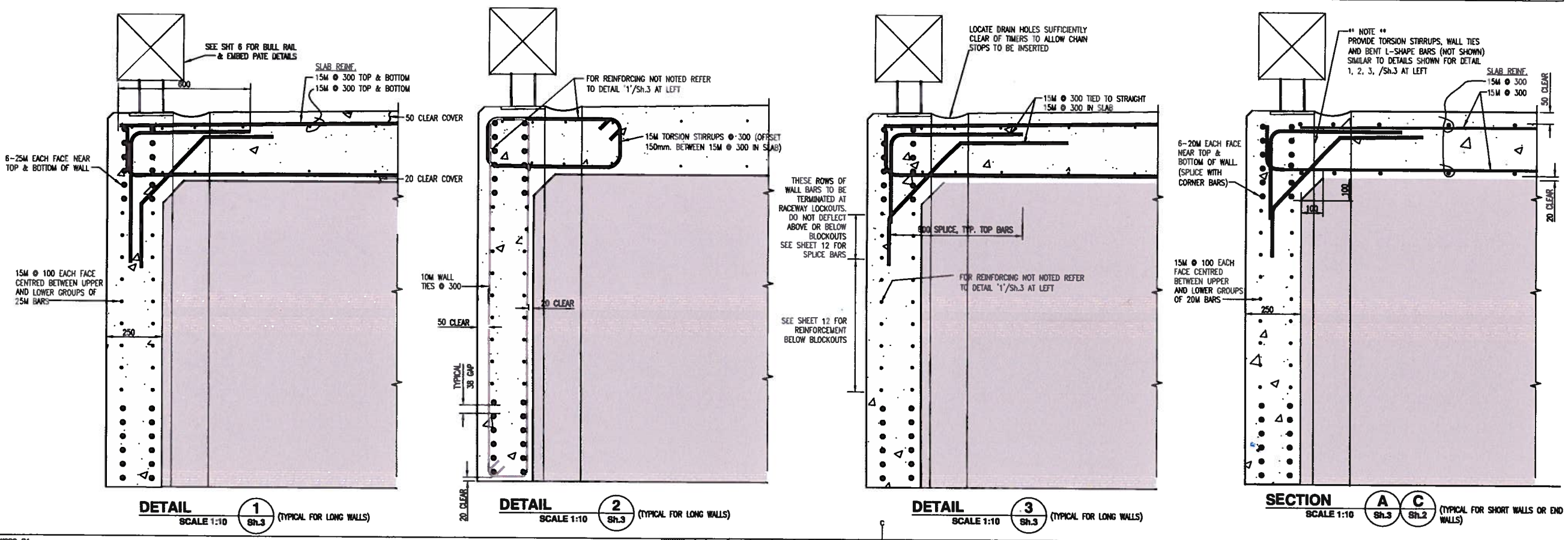


**NOTES:**

- SEE WALL SECTIONS BELOW AND SHEET 12 FOR CORNER DETAILS.
- SHEET 12 SHOWS TYPICAL LONG AND SHORT WALL DETAILS TO BE INCORPORATED WITH DETAILS ON THIS SHEET.



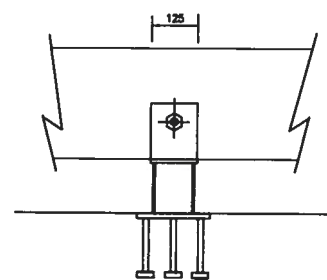
MAIN TENSION WALL BAR SPLICES TO BE STAGGERED 50% ALL WALLS, TOP & BOTTOM DECK



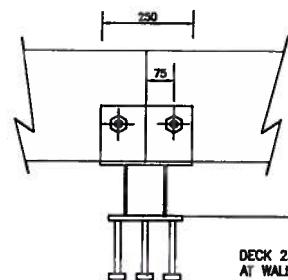
Plot Scale: 1:1

PWOSC B1

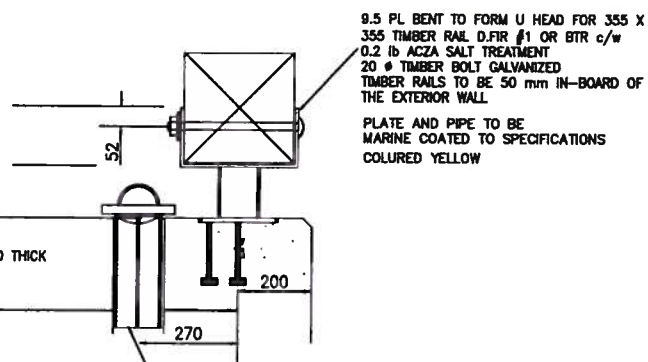
revision	date
<p>A detail no. no. du detail</p> <p>B location drawing no. no. du dessin</p> <p>C drawing no. dessin no.</p>	
project	project
<p><b>FISHERIES AND OCEANS CANADA</b> <b>SMALL CRAFT HARBOURS</b> <b>STANDARD CONCRETE FLOAT</b> <b>MODULE 26.22m x 8.537m</b></p>	
drawing	dessin
<p><b>REINFORCEMENT AT FLOAT</b> <b>CORNERS AND WALL SECTIONS</b></p>	
designer	conçu
date	2015-11-18
drawn	dessiné
date	2015-11-18
approved	approuvé
date	
Tender	Soumission
PWOSC Project Manager	Administrateur de projets TPSC
project number	no. du projet
<p><b>TRN.VHWY03002-01</b></p>	
drawing no.	no. du dessin
<p>58134 - 0801 - R6 - CONCRETE FLOAT - SHEET 5</p>	



TYPICAL CONTINUOUS TIMBER JOINT  
M20 bolt and galv. 6 th washers



TYPICAL TIMBER SPLICE JOINT  
M20 bolts and galv. 6 th washers



9.5 PL BENT TO FORM U HEAD FOR 355 X 355 TIMBER RAIL D.FIR #1 OR BTR c/w 0.2 lb ACZA SALT TREATMENT  
20 # TIMBER BOLT GALVANIZED  
TIMBER RAILS TO BE 50 mm IN-BOARD OF THE EXTERIOR WALL  
PLATE AND PIPE TO BE MARINE COATED TO SPECIFICATIONS COLOURED YELLOW

DECK 250 THICK AT WALLS

\*\* NOTE \*\*

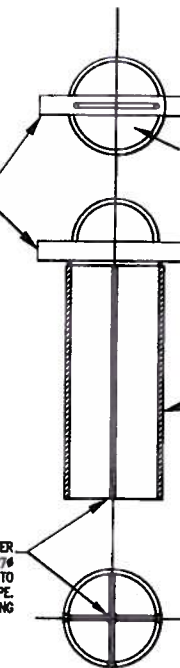
ALL TIMBER BUTT SPLICES AND BOLT HOLES TO BE TREATED WITH BRUSHED ON 0.2 lb ACZA SALT TREATMENT OR EQUIVALENT PRESERVATIVE AND SEAL CALKED WITH FIBREGUM OVER FULL PERIMETER OF JOINT APPLIED BEFORE PIECES ARE BOLTED IN THE SADDLE

SWALE AND DRAIN HOLES LOCATION ALLOW CHAIN STOPS ACCESS TO DRAIN HOLES

\*\* NOTE \*\*

ALL BOLT HOLES BE TREATED WITH BRUSHED ON OCA OR EQUIVALENT PRESERVATIVE.

200 LONG STOP BAR - 25 SQUARE BAR WELDED TO 6 TH. SEAL PL. ON PIPE. WELD A HAND GRIP FROM 8# ROUND. TWO PART MARINE COATING



127# OD PIPE 6.3 WALL STD A252 GRADE 3 - 300 LONG. MARINE COATED TO SPECIFICATIONS COLOURED YELLOW

6 PL STIFFENERS WELDED AT CENTER THEN INSERTED IN SLOTTED 127# PIPE AND SINGLE BEVEL WELDED TO PIPE TO KEEP OD FLUSH WITH PIPE. TWO PART MARINE COATING

FENDER CHAIN STOP

PROVIDE 10 PER SINGLE FLOAT OR THE QUANTITY REQUIRED BY THE OWNER. NO CHAIN STOPS ARE REQUIRED FOR THE QUAD

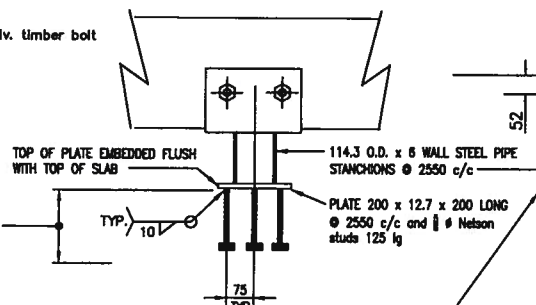
CORNER CONNECTION 300 x 300 Timber  
Splice plate 76 x 250 TO BE MARINE COATED- YELLOW

MINIMUM TIMBER RAIL 300 x 300

M20 galv. timber bolt

FOR EMBEDDED PLATE LOCATIONS REFER TO 'PLAN - TOP OF FLOAT' ON SHEET 2,8,9,10 & 13

TYPICAL CONTINUOUS TIMBER JOINT



114.3 O.D. x 6 WALL STEEL PIPE STANCHIONS @ 2550 c/c  
PLATE 200 x 12.7 x 200 LONG @ 2550 c/c and 1 # Nelson studs 125 lg  
CONTRACTOR TO TROWEL A GROOVE AROUND EACH EMBED PLATE TO THE DEPTH OF PLATE 6 TO 8 MM WIDE TO BE FILLED WITH LOW MODULUS EPOXY AFTER SPECIFIED CONCRETE CURED PERIOD

\*\* NOTE \*\*  
THE EMBEDDED PLATE & ANCHOR ASSEMBLIES AS MAIN BARS ARE BEING PLACED.

25 x 25 CHFR.

PLAN CORNER

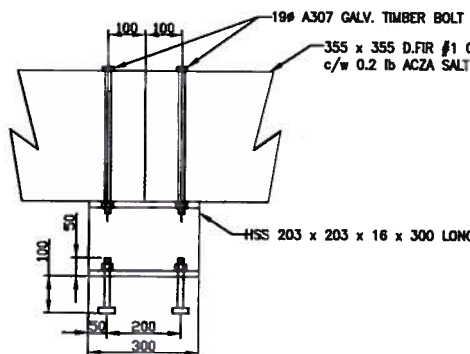
ELEVATION

SECTION

TYPICAL BULL RAIL DETAILS FOR SINGLE AND DUAL STANDARD FLOAT

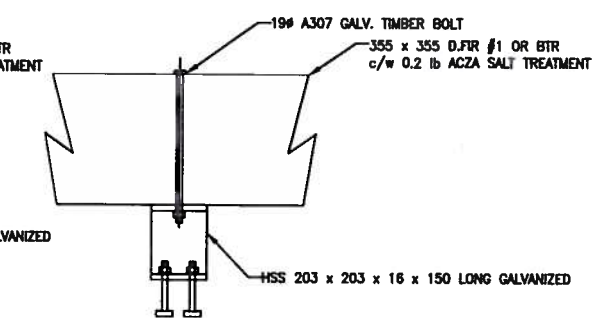
SCALE 1:10

MARINE COATING IN ACCORDANCE WITH SPECIFICATION 09 92 19



TIMBER BUTT JOINT

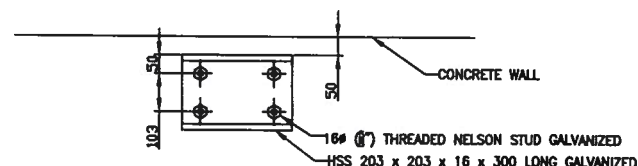
SCALE 1:10



CONTINUOUS TIMBER JOINT

SCALE 1:10

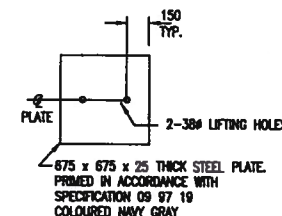
PROVIDE 32# HOLES FOR NELSON STUDS AND 21# HOLE FOR TIMBER BOLT.



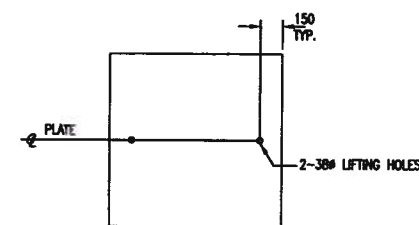
PLAN

SCALE 1:10

TYPICAL BULL RAIL FOR QUAD



UTILITY STEEL COVER PLATES



MOORING WELL STEEL COVER PLATES

SCALE 1:25

revisions

A	A detail no. no. de detail	A
C	B location drawing no. sur dessin no.	B
	C drawing no. dessin no.	C

project

FISHERIES AND OCEANS CANADA  
SMALL CRAFT HARBOURS  
STANDARD CONCRETE FLOAT  
MODULE 26.22m x 8.537m

drawing

DETAILS

designed G/JG concu

date 2015-11-18

drawn EB desdnu

date 2015-11-18

approved

date

Tender Soumission

PWSC Project Manager Administrateur de projet TPSOC

project number no. du projet

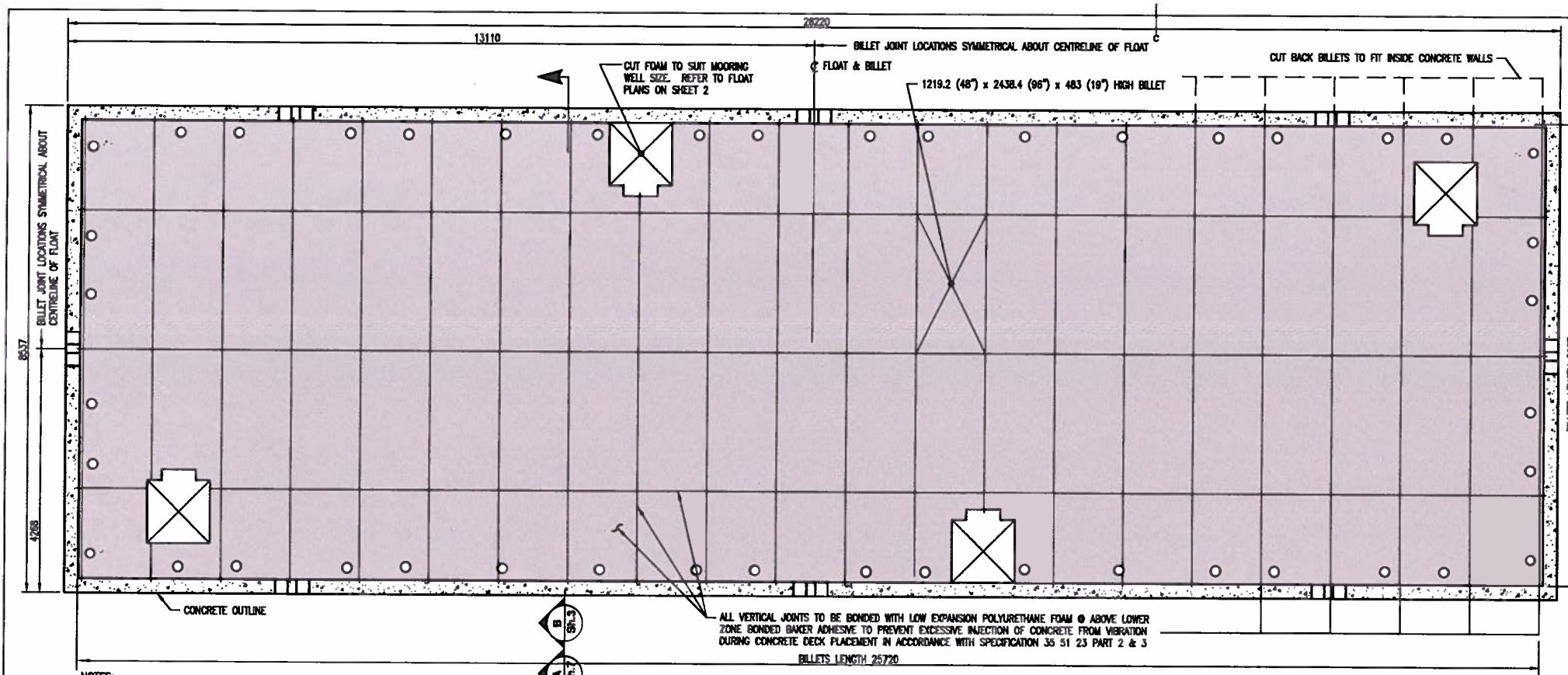
TRN.VHWY03002-01

drawing no. no. du dessin

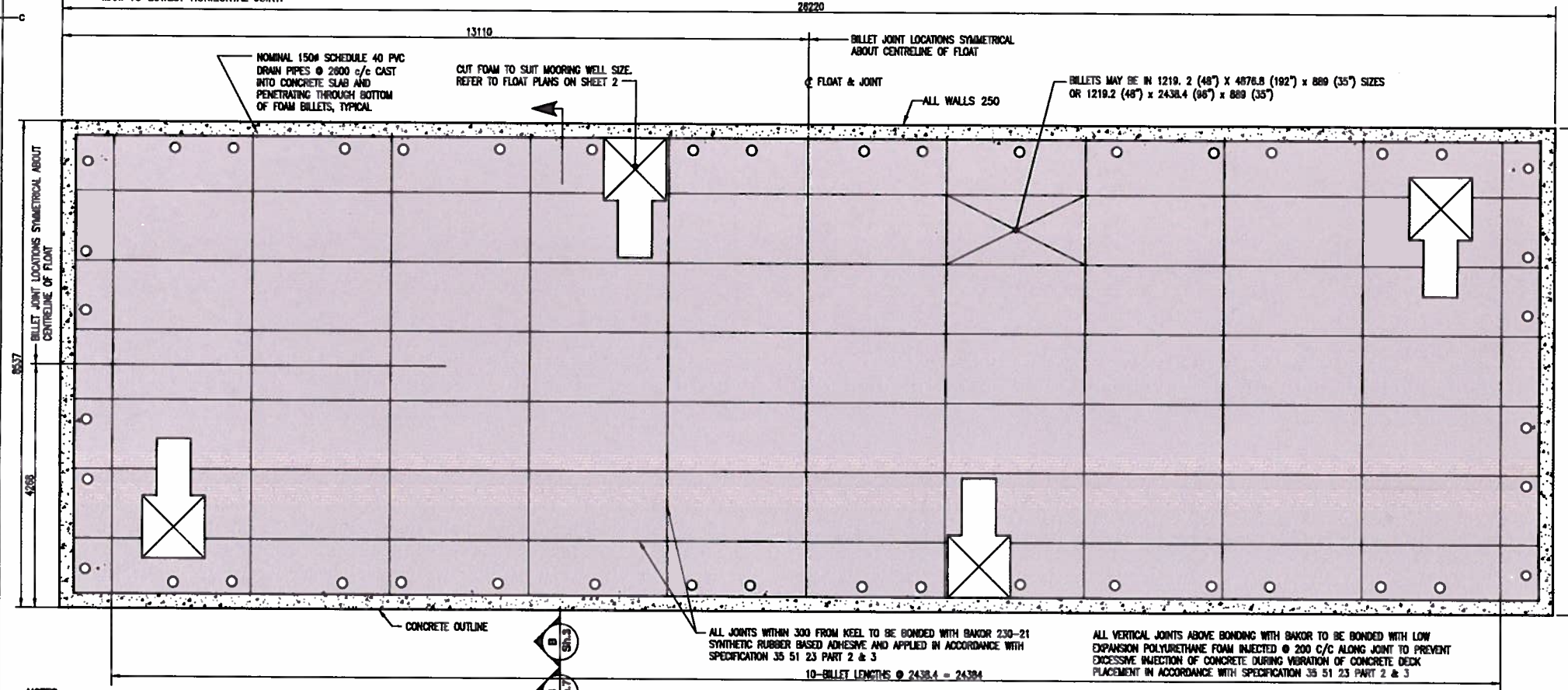
56134 - 0001 - R9 - CONCRETE FLOAT - SHEET 8



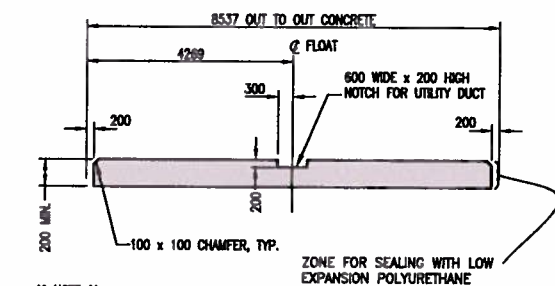




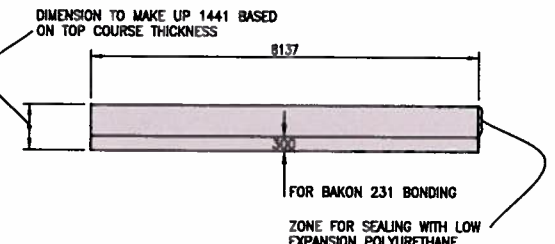
**PLAN - TOP COURSE**



**PLAN - BASE COURSE**  
**FLOTATION BILLET LAYOUTS**



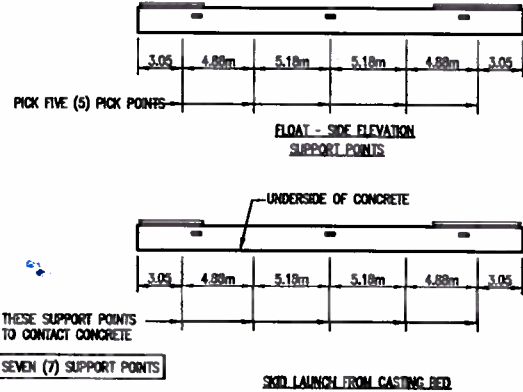
**SECTION A**  
SCALE 1:75  
Sh.7 (TOP COURSE CROSS-SECTION)



**SECTION B**  
SCALE 1:75  
Sh.7 (BASE COURSE CROSS-SECTION)

**HOISTING GUIDELINES:**

1. CONCRETE COMPRESSIVE STRENGTH 35 MPa VERIFIED BY TEST CYLINDERS.
2. APPROXIMATE HOISTING WEIGHT WITH TIGHT CONTROL ON CONCRETE MIX PLASTIC DENSITY IS 235 TONS IMPERIAL.
3. NOTCH FOAM AS SHOWN AT SUPPORT POINT LOCATIONS.
4. MANUFACTURER MUST DESIGN AND SET EMBEDDED HOISTING ATTACHMENTS AND REINFORCING AND PROVIDE A DURABLE CORROSION RESISTANT SURFACE TO MATCH DESIGN. IN THE EVENT THE MANUFACTURER INTENDS TO USE EMBEDDED HOISTING ATTACHMENTS, THE MANUFACTURER SHALL DESIGN AND SUPPLY, INSTALL ATTACHMENTS, REINFORCING AND MAKE GOOD THE DECK SURFACE TO AN EQUIVALENT DURABLE CORROSION RESISTANT SURFACE AT HIS COST.
5. CONTRACTOR TO PROVIDE SUPPORT LATERAL SUPPORT FOR BOTTOM OF WALLS AT PICK POINTS TO PREVENT DAMAGE FROM EXCESSIVE DEFLECTION OF THE WALL AS THE EPS DEFORMS. CONTRACTOR TO PROVIDE PROTECTION TO THE BOTTOM SURFACE OF THE CONCRETE AND EPS FOR SKID LAUNCH.



revision	date
A	A detail no. no. du detail
B	B location drawing no. no. du dessin
C	C drawing no. dessin no.

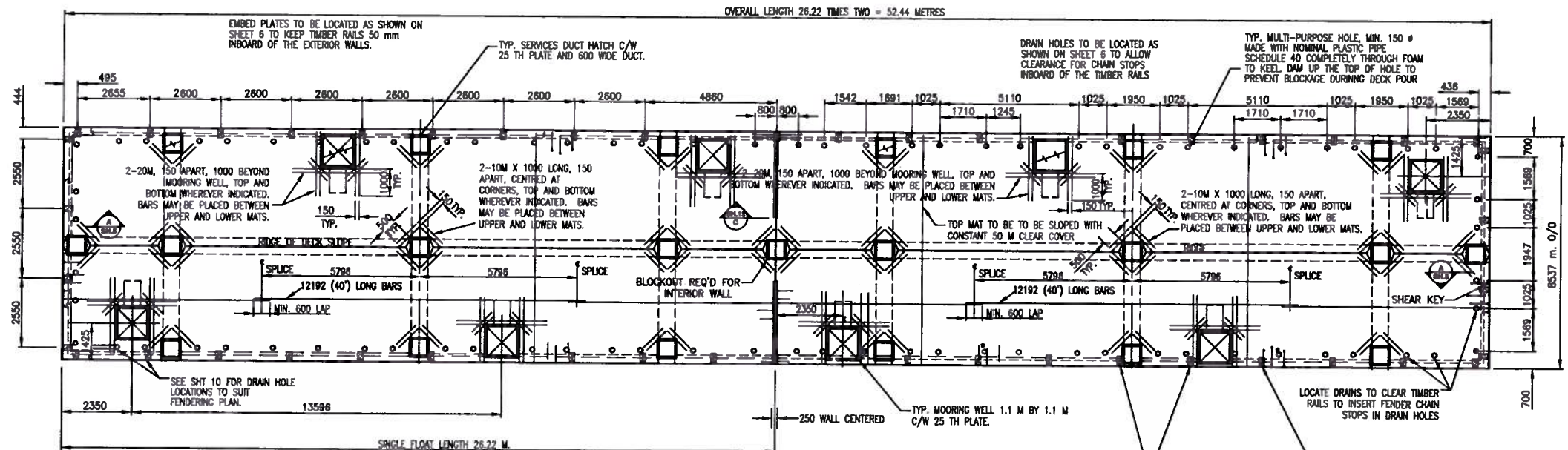
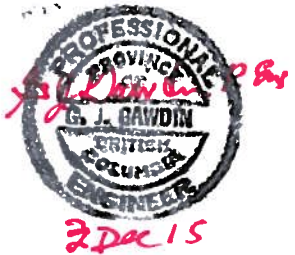
project  
**FISHERIES AND OCEANS CANADA  
SMALL CRAFT HARBOURS  
STANDARD CONCRETE FLOAT  
MODULE 26.22m x 8.537m**

drawing  
**FLOTATION BILLET LAYOUTS  
AND HOISTING GUIDELINES  
Single Float**

designed GJC concu  
date 2015-11-18  
drawn EB desine  
date 2015-11-18  
approved approve  
date  
Tender Soumission

PRISC Project Manager Administrateur de projets TPSC  
project number no. du projet  
**TRN.VHWY03002-01**  
drawing no. no. du dessin  
**56134 - 0801 - R5 - CONCRETE FLOAT - SHEET 7**

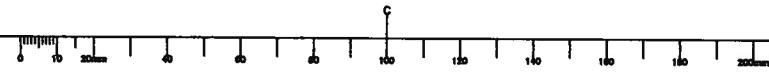




- NOTES:
1. REVISE FOAM BONDING TO BOND THE BOTTOM 300 ZONE OF EACH BILLET WITH BAKOR RUBBER ADHESIVE. THE UPPER ZONES OF FOAM MAY BE BONDED WITH LOW EXPANSION POLYURETHANE FOAM IN LIEU OF BAKOR.

**PLAN - DUAL TYPE I**  
SCALE 1:100

revision	date												
<table border="1"> <tr> <td>A</td> <td>A detail no. / no. du détail</td> </tr> <tr> <td>B</td> <td>B location drawing no. / no. de dessin de localisation</td> </tr> <tr> <td>C</td> <td>C drawing no. / dessin no.</td> </tr> </table>	A	A detail no. / no. du détail	B	B location drawing no. / no. de dessin de localisation	C	C drawing no. / dessin no.	<table border="1"> <tr> <td>A</td> <td>A detail no. / no. du détail</td> </tr> <tr> <td>B</td> <td>B location drawing no. / no. de dessin de localisation</td> </tr> <tr> <td>C</td> <td>C drawing no. / dessin no.</td> </tr> </table>	A	A detail no. / no. du détail	B	B location drawing no. / no. de dessin de localisation	C	C drawing no. / dessin no.
A	A detail no. / no. du détail												
B	B location drawing no. / no. de dessin de localisation												
C	C drawing no. / dessin no.												
A	A detail no. / no. du détail												
B	B location drawing no. / no. de dessin de localisation												
C	C drawing no. / dessin no.												
project / projet <b>FISHERIES AND OCEANS CANADA SMALL CRAFT HARBOURS DUAL CONCRETE FLOAT MODULE 52.44 m x 8.537m</b>													
drawing / dessin <b>PLAN VIEW LAYOUT CONCRETE OUTLINE Dual Float TYPE I</b>													
designed / conçu GJG	date / date 2015-11-18												
drawn / dessiné EB	date / date 2015-11-18												
approved / approuvé	date / date												
Tender / Soumission	PWOSC Project Manager / Administrateur de projets TPSOC												
project number / no. du projet	drawing no. / no. du dessin												
56134 - 0801 - R6 - CONCRETE FLOAT - SHEET 8													



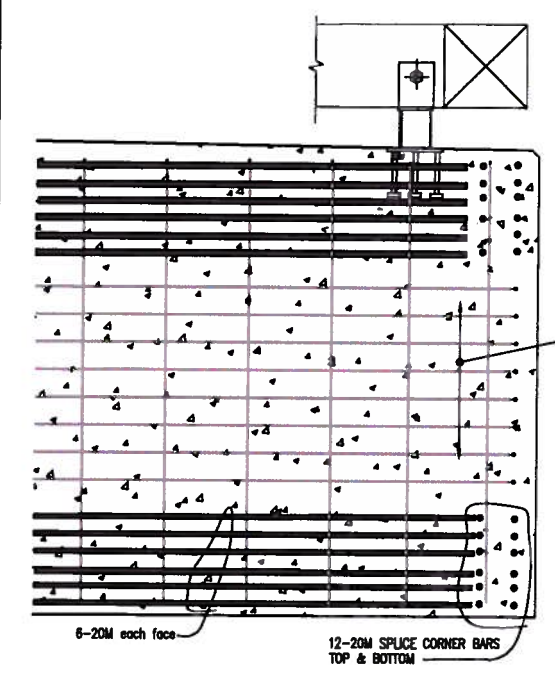


revision	date
A	A detail no. no. du détail
C	B location drawing no. no. de dessin
	C drawing no. dessin no.

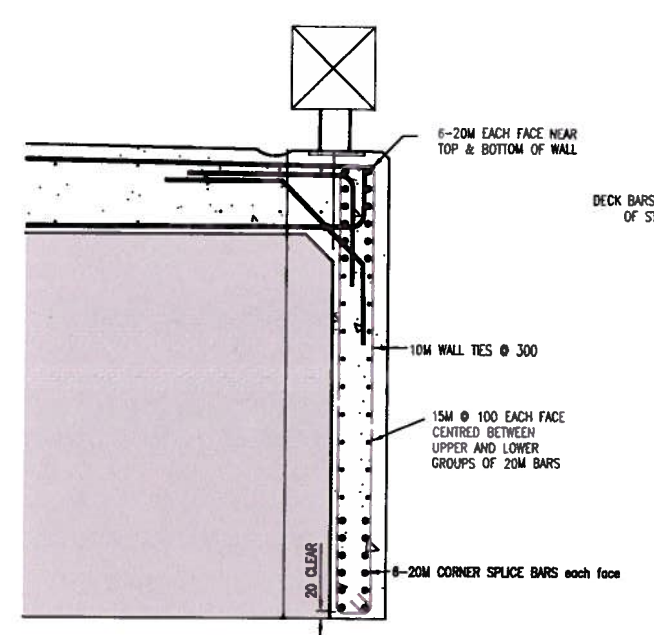
project: FISHERIES AND OCEANS CANADA  
SMALL CRAFT HARBOURS  
STANDARD CONCRETE FLOAT  
MODULE 26.22m x 8.537m

drawing: FLOAT WITHOUT CONNECTION  
POCKETS AT THE CORNERS

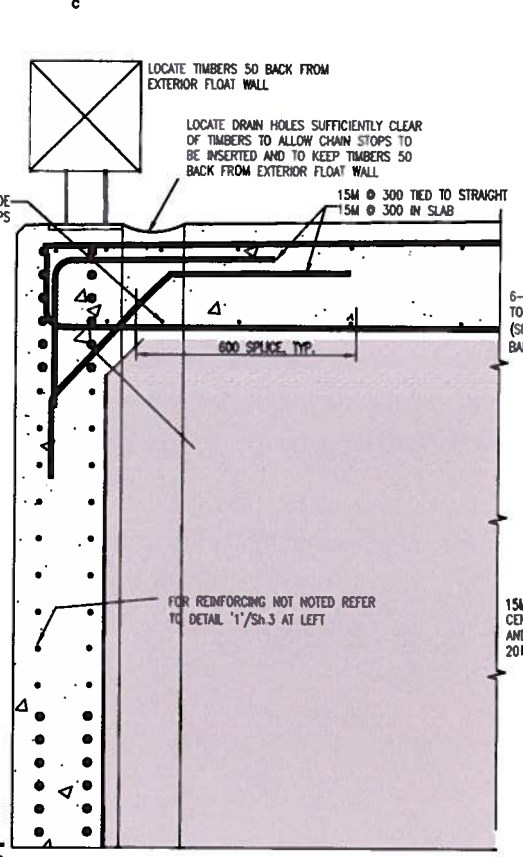
designer: G/JC	conçu: G/JC
date: 2015-11-18	date: 2015-11-18
drawn: EB	dessiné: EB
date: 2015-11-18	date: 2015-11-18
approved:	approuvé:
date:	date:
Tender:	Soumission:
PWSOC Project Manager / Administrateur de projet TPSOC:	no. du projet:
project number:	TRN.VHWY03002-01
drawing no.:	no. du dessin:
58134 - 0801 - R5 - CONCRETE FLOAT - SHEET 12	



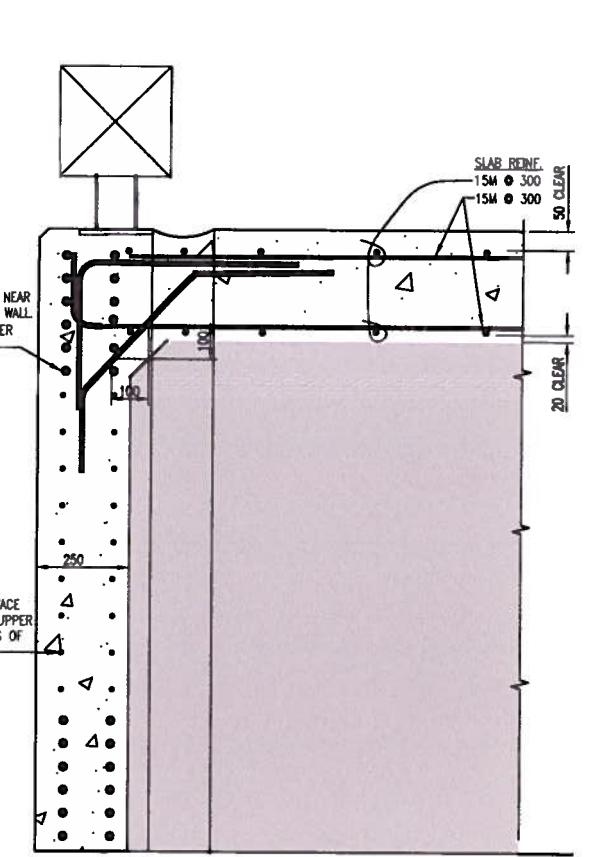
WALL REINFORCING AND CONCRETE AT CORNERS  
**TRANSVERSE WALL**



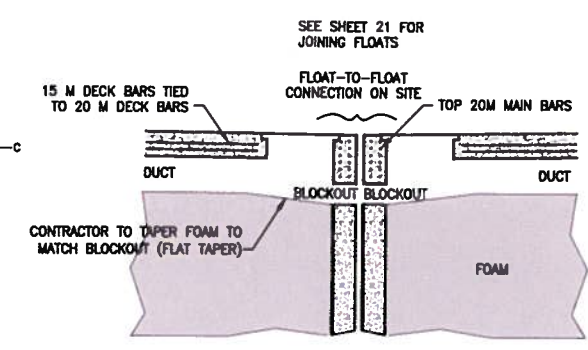
WALL REINFORCING AND CONCRETE AT CORNERS  
**LONG WALL**



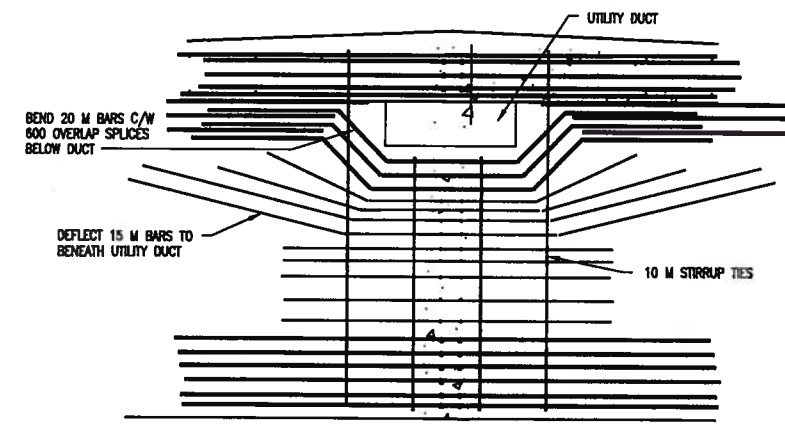
**DETAIL 3**  
SCALE 1:10 (TYPICAL FOR LONG WALLS)



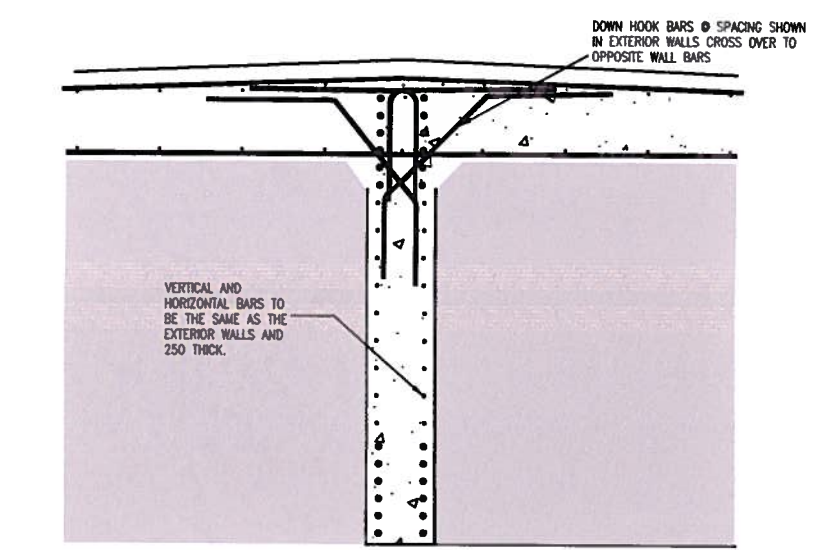
**SECTION A C**  
SCALE 1:10 (TYPICAL FOR SHORT WALLS)



**BLOCK OUT - EXTERIOR WALLS**

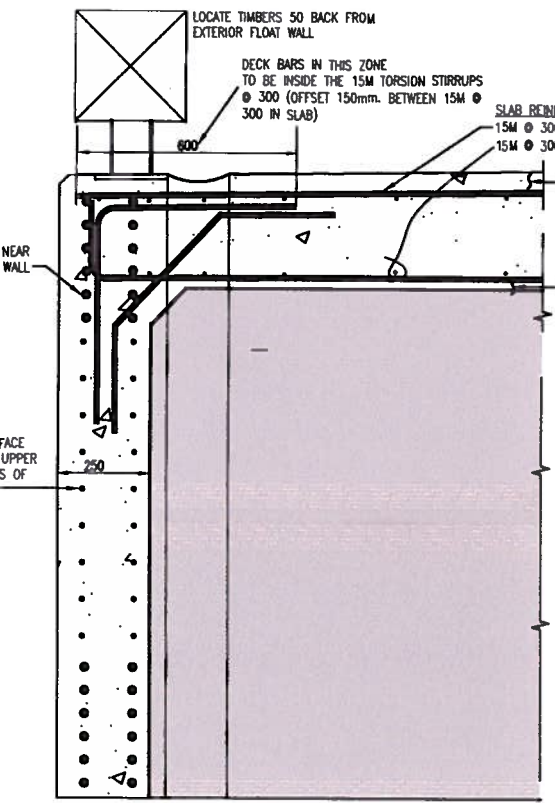


**BLOCK OUTS THROUGH WALLS**

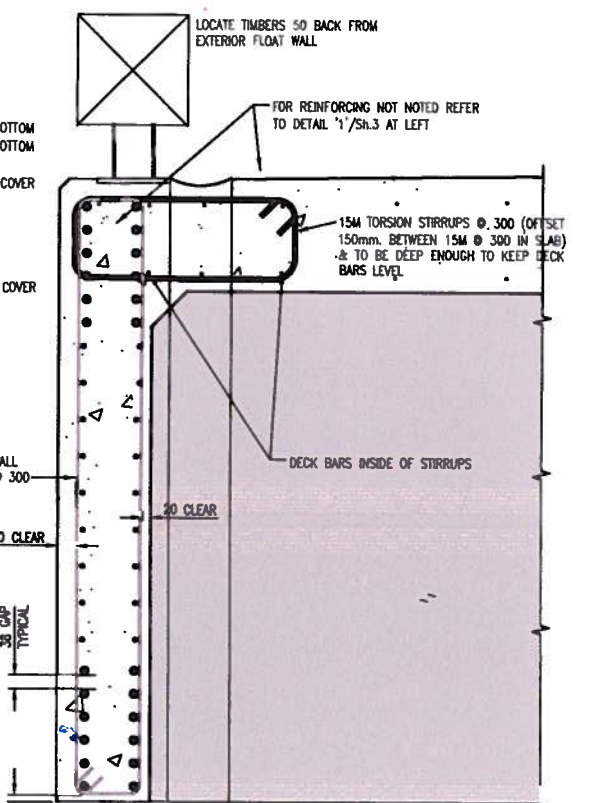


**SECTION C**  
TYPICAL INTERIOR WALL REINFORCING  
BOTH LONG & TRANSVERSE WALLS

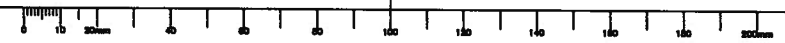
- NOTES:
- THIS TENDER ONLY REQUIRES THE SINGLE STANDARD FLOAT AND SHALL INCORPORATE THESE CORNER AND WALL DETAILS.



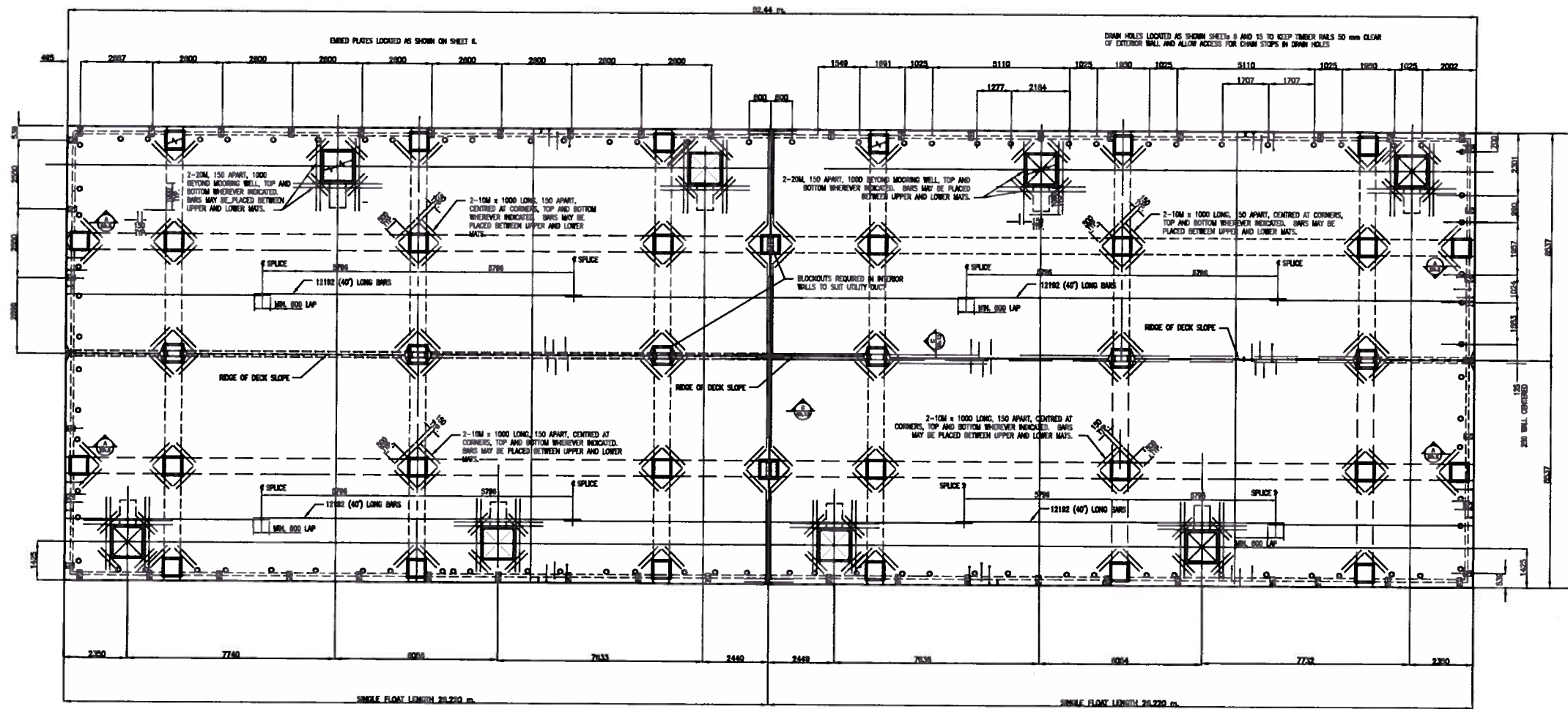
**DETAIL 1**  
SCALE 1:10 (TYPICAL FOR LONG WALLS)



**DETAIL 2**  
SCALE 1:10 (TYPICAL FOR LONG WALLS)







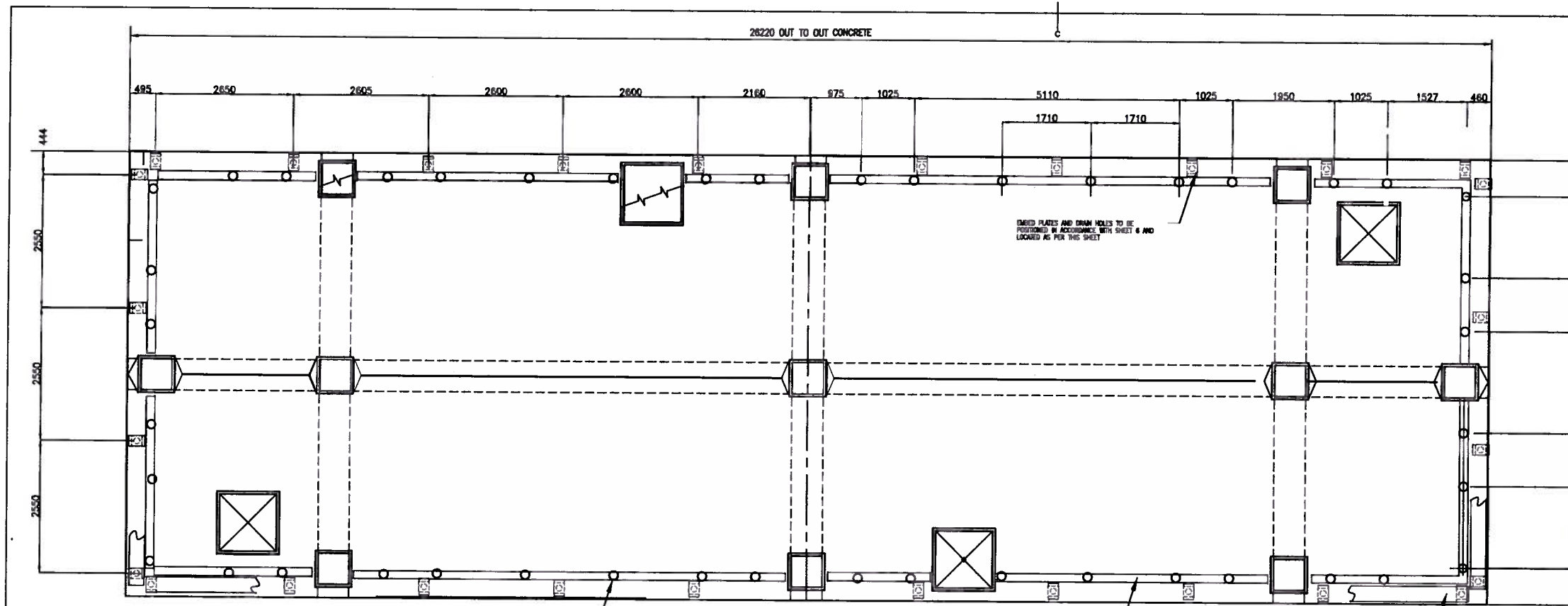
**PLAN - QUAD TYPE II - STAGGERED WELLS - FOUR STD'S**

revisions	date									
<table border="0"> <tr> <td style="text-align: center;">A</td> <td>A detail no. / no. du détail</td> <td style="text-align: center;">A</td> </tr> <tr> <td style="text-align: center;">B</td> <td>B location drawing no. / sur dessin no.</td> <td style="text-align: center;">B</td> </tr> <tr> <td style="text-align: center;">C</td> <td>C drawing no. / dessin no.</td> <td style="text-align: center;">C</td> </tr> </table>		A	A detail no. / no. du détail	A	B	B location drawing no. / sur dessin no.	B	C	C drawing no. / dessin no.	C
A	A detail no. / no. du détail	A								
B	B location drawing no. / sur dessin no.	B								
C	C drawing no. / dessin no.	C								
project	projet									
<b>FISHERIES AND OCEANS CANADA</b> <b>SMALL CRAFT HARBOURS</b> <b>QUAD CONCRETE FLOAT</b> <b>MODULE 52.44 m x 17.074m</b>										
drawing	dessin									
<b>PLAN VIEW LAYOUT</b> <b>CONCRETE OUTLINE</b>  <b>Quad TYPE II - Staggered Wells</b>										
designed	GJG / conçu									
date	2015-11-18									
drawn	EB / dessiné									
date	2015-11-18									
approved	/ approuvé									
date	/									
Tender	/ Soumission									
PWOSC Project Manager / Administrateur de projets TPSCC project number / no. du projet <b>TRN.VHWY03002-01</b>										
drawing no.	/ no. du dessin									
56134 - 0801 - R7 - CONCRETE FLOAT - SHEET 13										

Plan Scale: 1:1

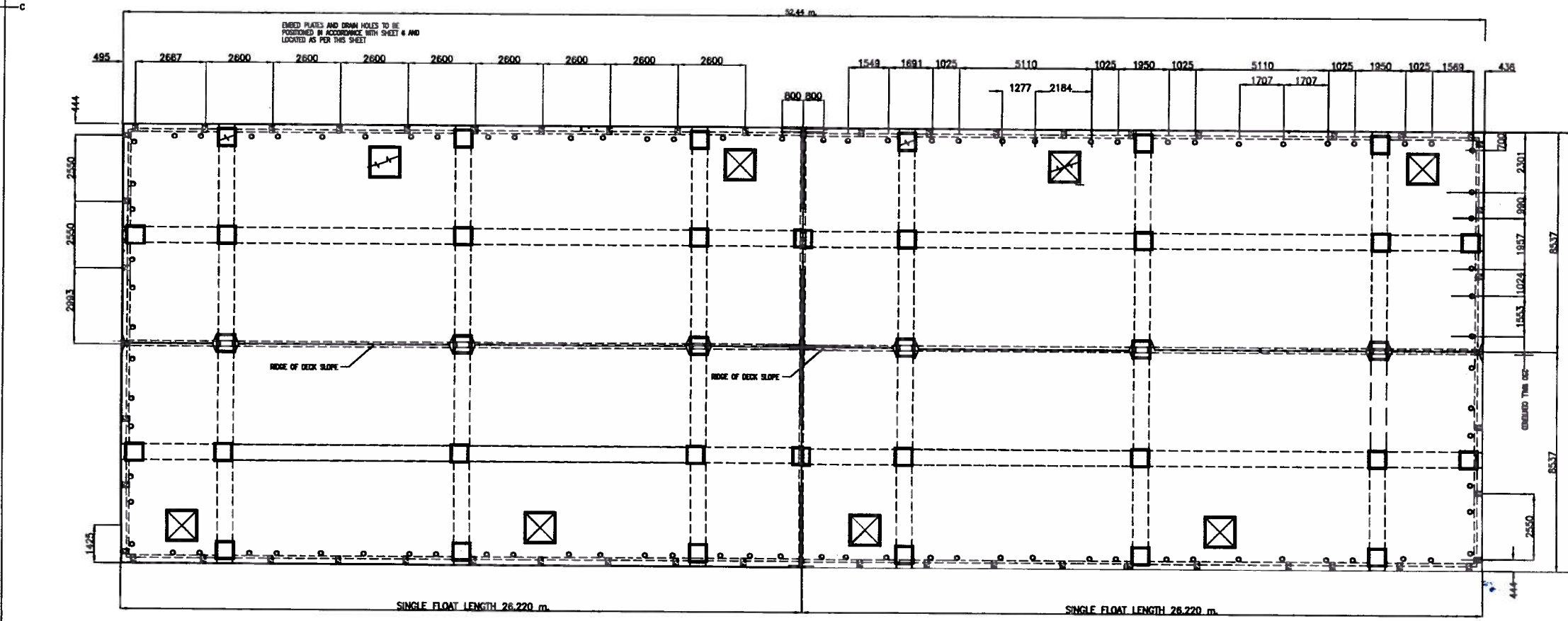
PWOSC B1





SINGLE FLOAT

NOTE:  
THE BULL RAIL TIMBER CUTS SHALL BE BUTT SPICED IN A SADDLE ON AN EMBED EXCEPT AT THE CORNERS.  
DRAIN HOLES AND EMBEDS TO BE POSITIONED FROM EXTERIOR WALLS AS SHOWN ON SHEET 6.



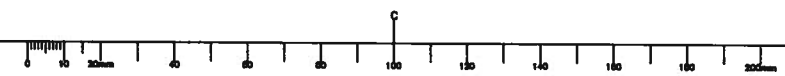
QUAD TYPE II

OVERALL LENGTH 26.22 METRES TIMES TWO = 52.44 METRES

revision	date									
<table border="0"> <tr> <td>A</td> <td>A detail no.</td> <td>A</td> </tr> <tr> <td>B</td> <td>B location drawing no.</td> <td>B</td> </tr> <tr> <td>C</td> <td>C drawing no.</td> <td>C</td> </tr> </table>		A	A detail no.	A	B	B location drawing no.	B	C	C drawing no.	C
A	A detail no.	A								
B	B location drawing no.	B								
C	C drawing no.	C								
project	project									
<b>FISHERIES AND OCEANS CANADA SMALL CRAFT HARBOURS STANDARD CONCRETE FLOAT MODULE 26.22 m x 8.537m</b>										
drawing	description									
<b>LOCATION OF DRAIN HOLES &amp; EMBEDS - STD</b>										
designed	constr									
date	2015-11-18									
drawn	EB									
date	2015-11-18									
approved	approved									
date										
Tender	Scumbaton									
PIWGSC Project Manager	Administrateur de projets TPSGC									
project number	no. du projet									
<b>TRN.VHWY03002-01</b>										
drawing no.	no. du dessin									
<b>58134 - 0801 - CONCRETE FLOAT - SHEET 15</b>										

Plot: Scale: 1:1

PIWGSC B1







revision	date

A	A detail no. / no. du détail	A
C	B location drawing no. / sur dessin no.	B/C
	C drawing no. / dessin no.	

project / projet

FISHERIES AND OCEANS CANADA  
SMALL CRAFT HARBOURS

drawing / dessin  
**PLAN VIEW LAYOUT  
CONCRETE OUTLINE**

**DUAL TYPE II - STD FLOATS  
SIDE BY SIDE**

designed G/JG / conçu

date 2015-11-18

drawn EB / dessiné

date 2015-11-18

approved / approuvé

date

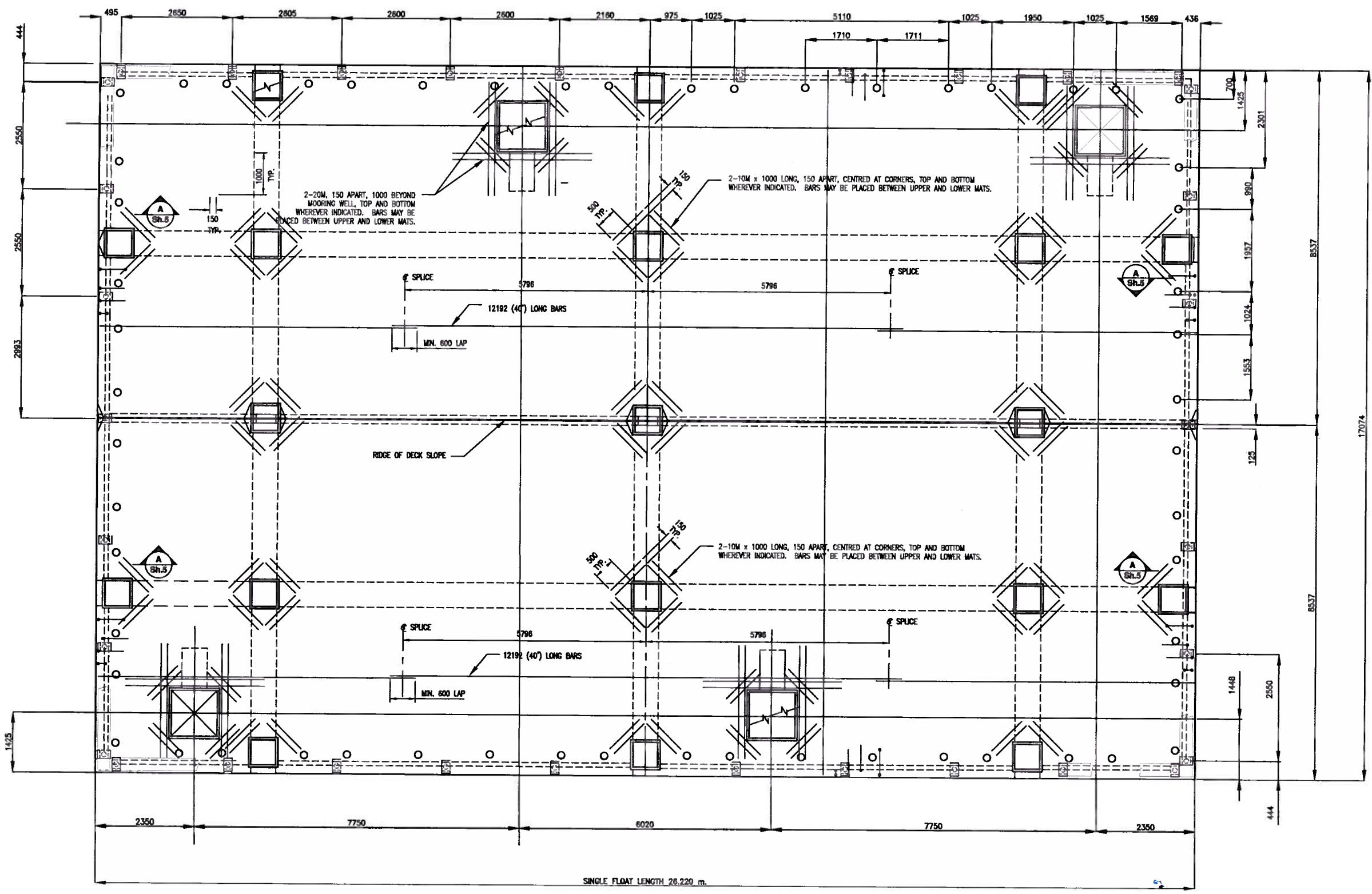
Tender / soumission

PWOSC Project Manager / Administrateur du projet TP50C

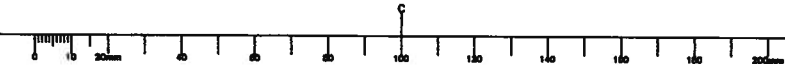
project number / no. du projet  
**TRN.VHWY03002-01**

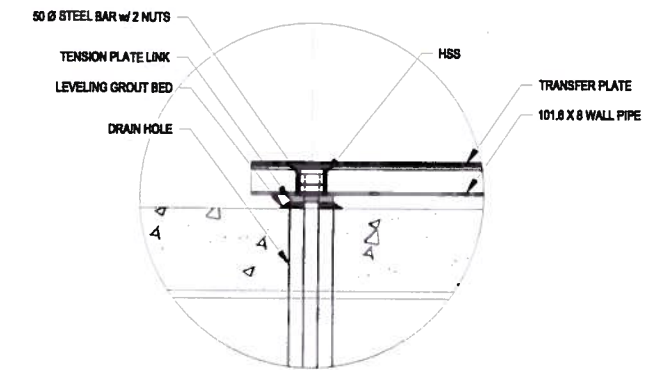
drawing no. / no. du dessin

56134 - 0801 - R0 - CONCRETE FLOAT - SHEET 18

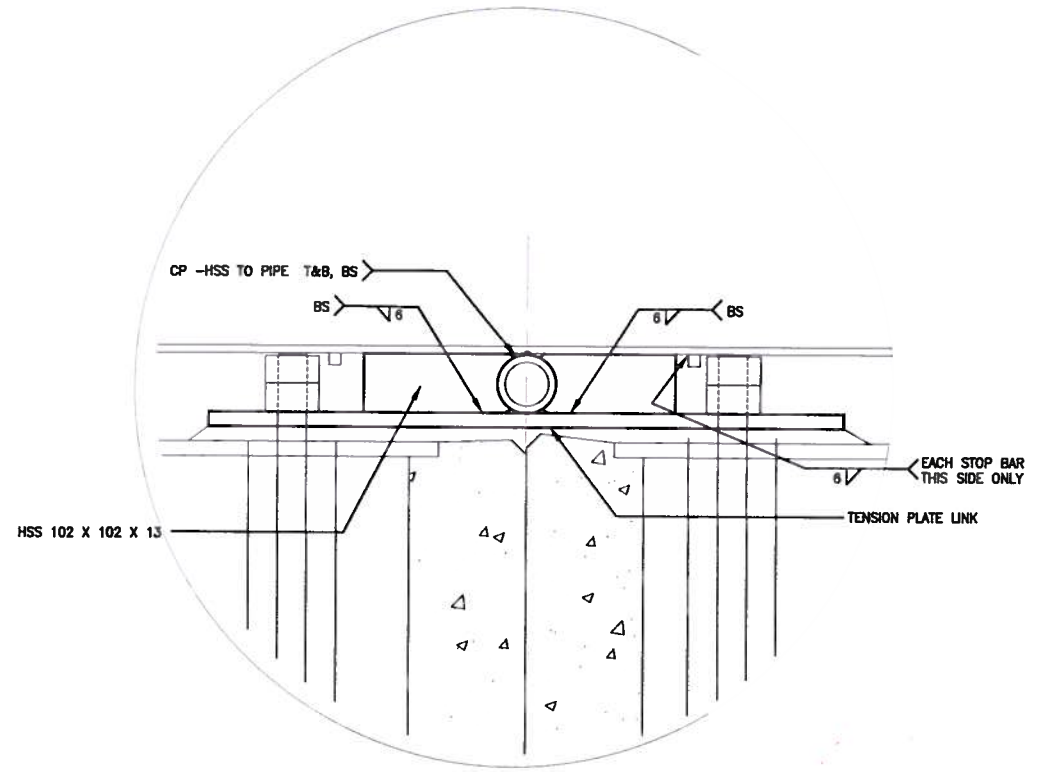


**PLAN - DUAL TYPE II - SIDE BY SIDE - STAGGERED WELLS**

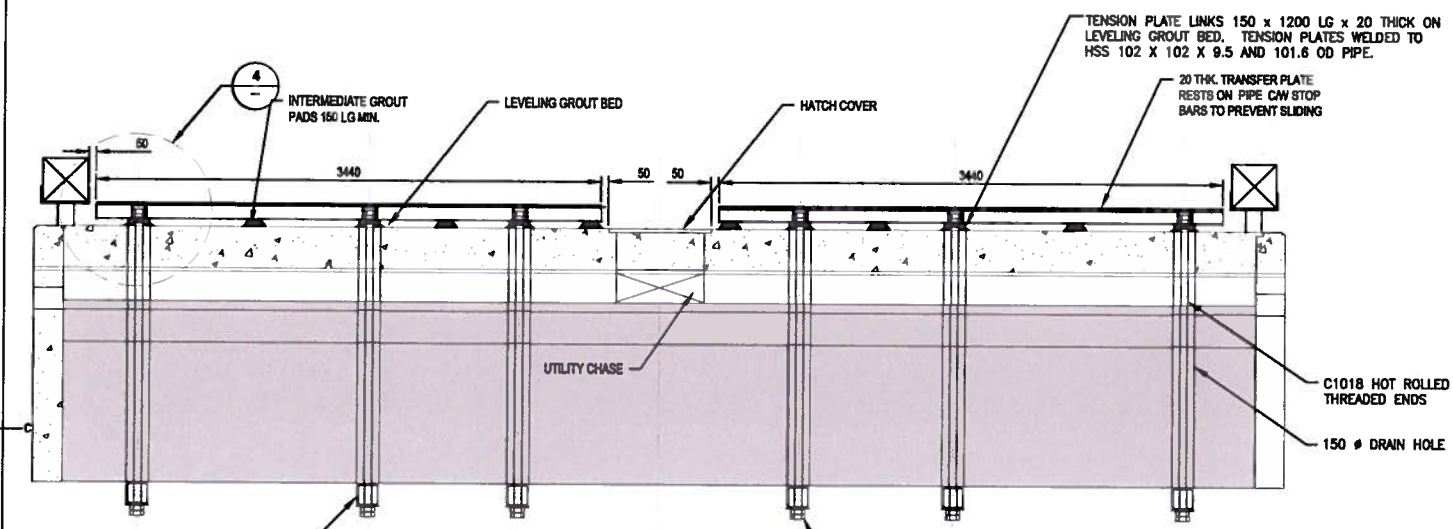




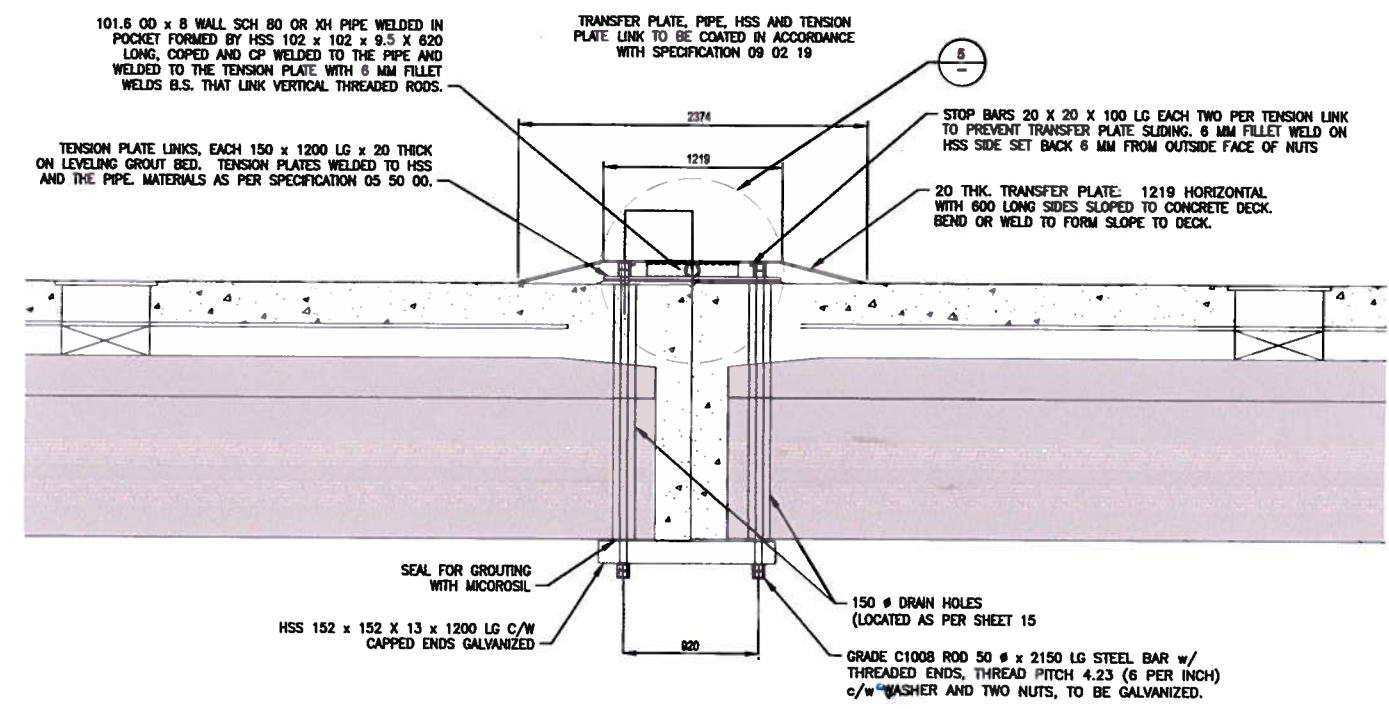
4 FLOAT JOINING DETAIL - ELEVATION AT CONNECTION 1:50



5 TENSION PLATE LINK DETAIL 1:25



3 FLOAT JOINING DETAIL - ELEVATION VIEW 1:25



2 FLOAT JOINING DETAIL - ELEVATION VIEW 1:25

revision	date
A	A detail no. no. du détail
B	B location drawing no. sur dessin no.
C	C drawing no. dessin no.

project: FISHERIES AND OCEANS CANADA SMALL CRAFT HARBOURS

drawing: ELEVATION VIEW LAYOUT STEEL FABRICATION STANDARD FLOAT JOINING DETAILS ON-SITE

designed GJG	conçu
date 2015-11-18	
drawn EB	dessiné
date 2015-11-18	
approved	approuvé
date	
Tender	Souris/lelon
PWGSC Project Manager Administrateur de projets TPSCC	
project number	no. du projet
drawing no.	no. du dessin
56134 - 0801 - R0 - CONCRETE FLOAT - SHEET 21	

