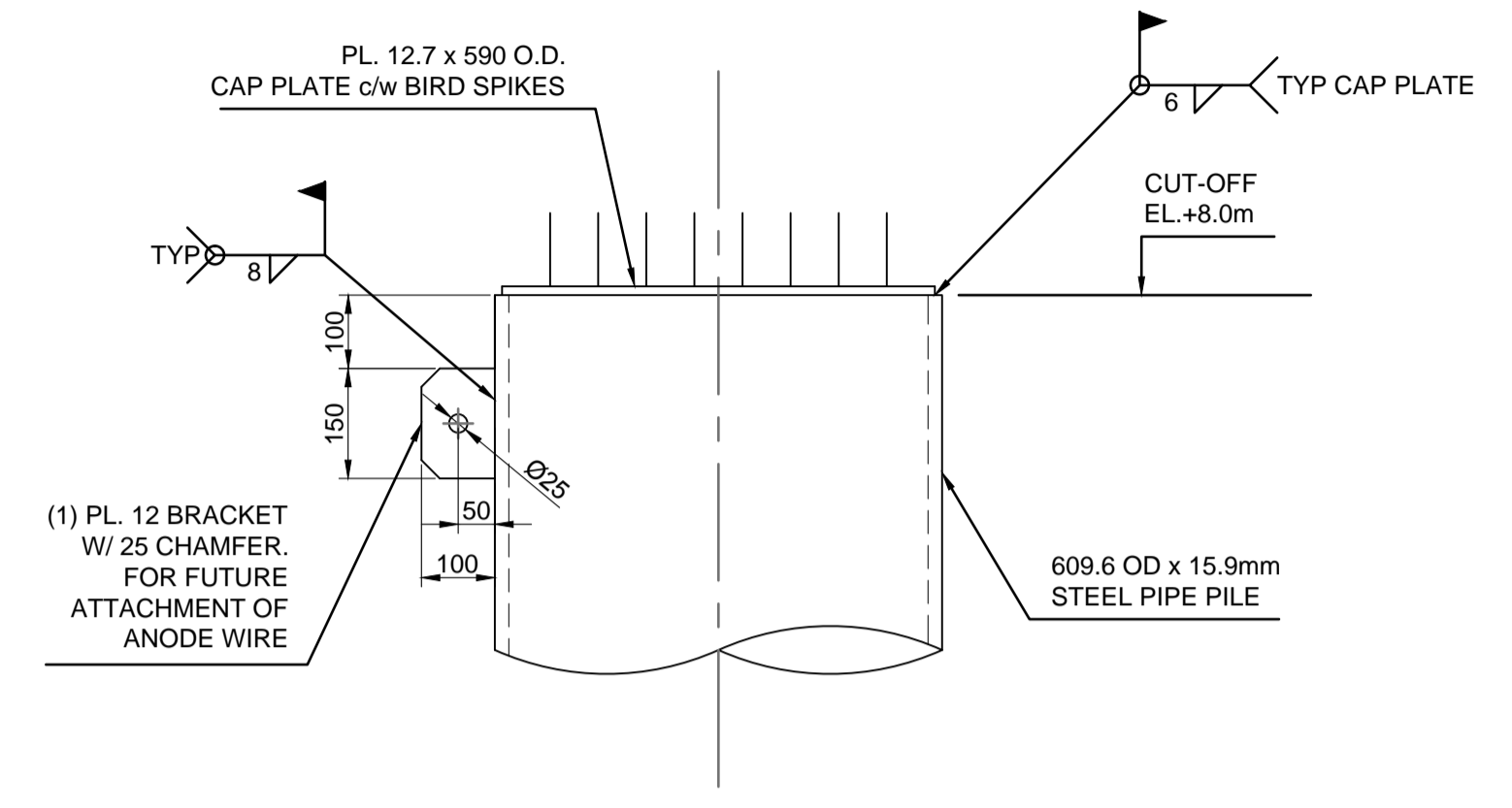
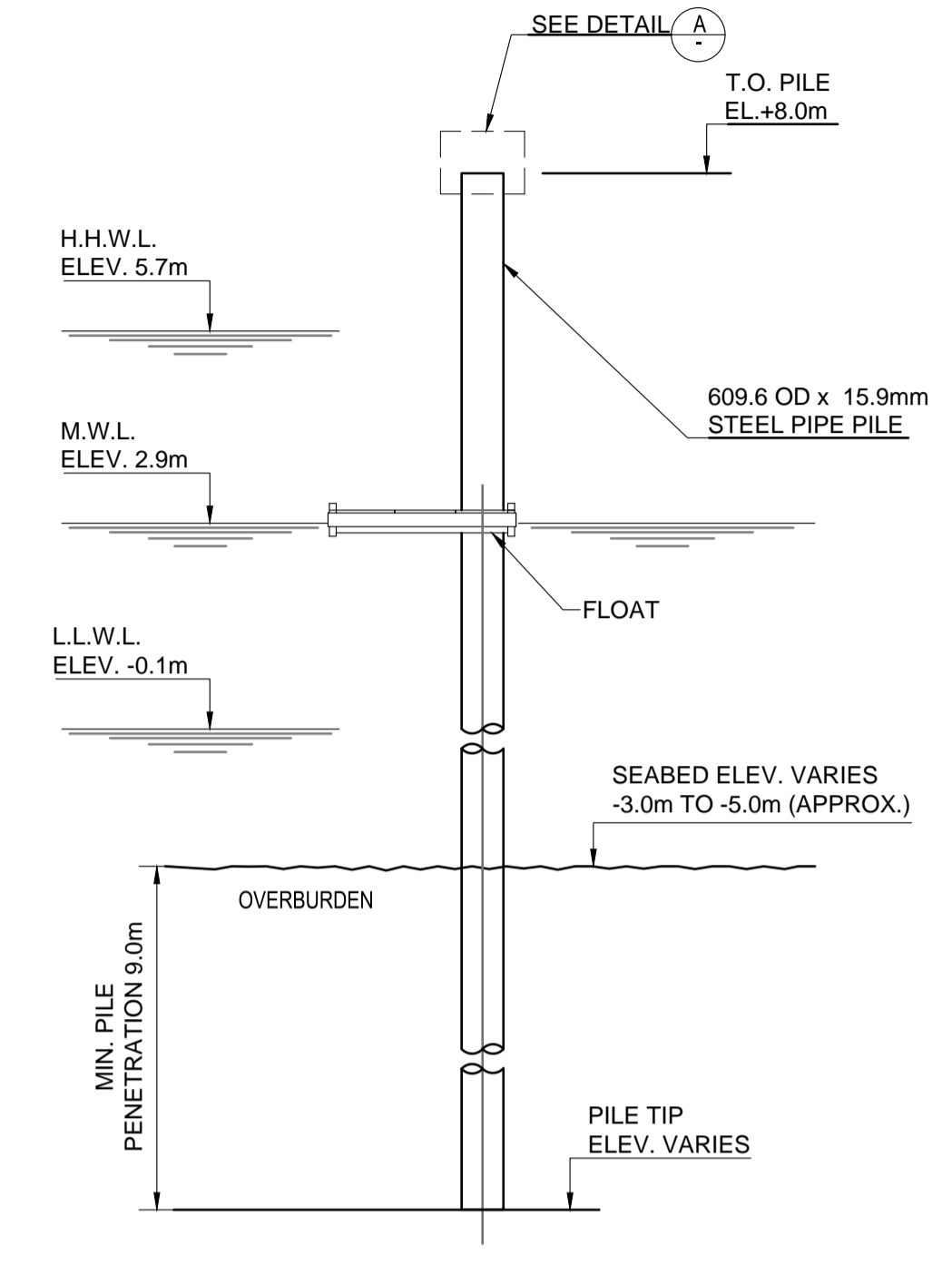


TABLE 1: PILE TABLE

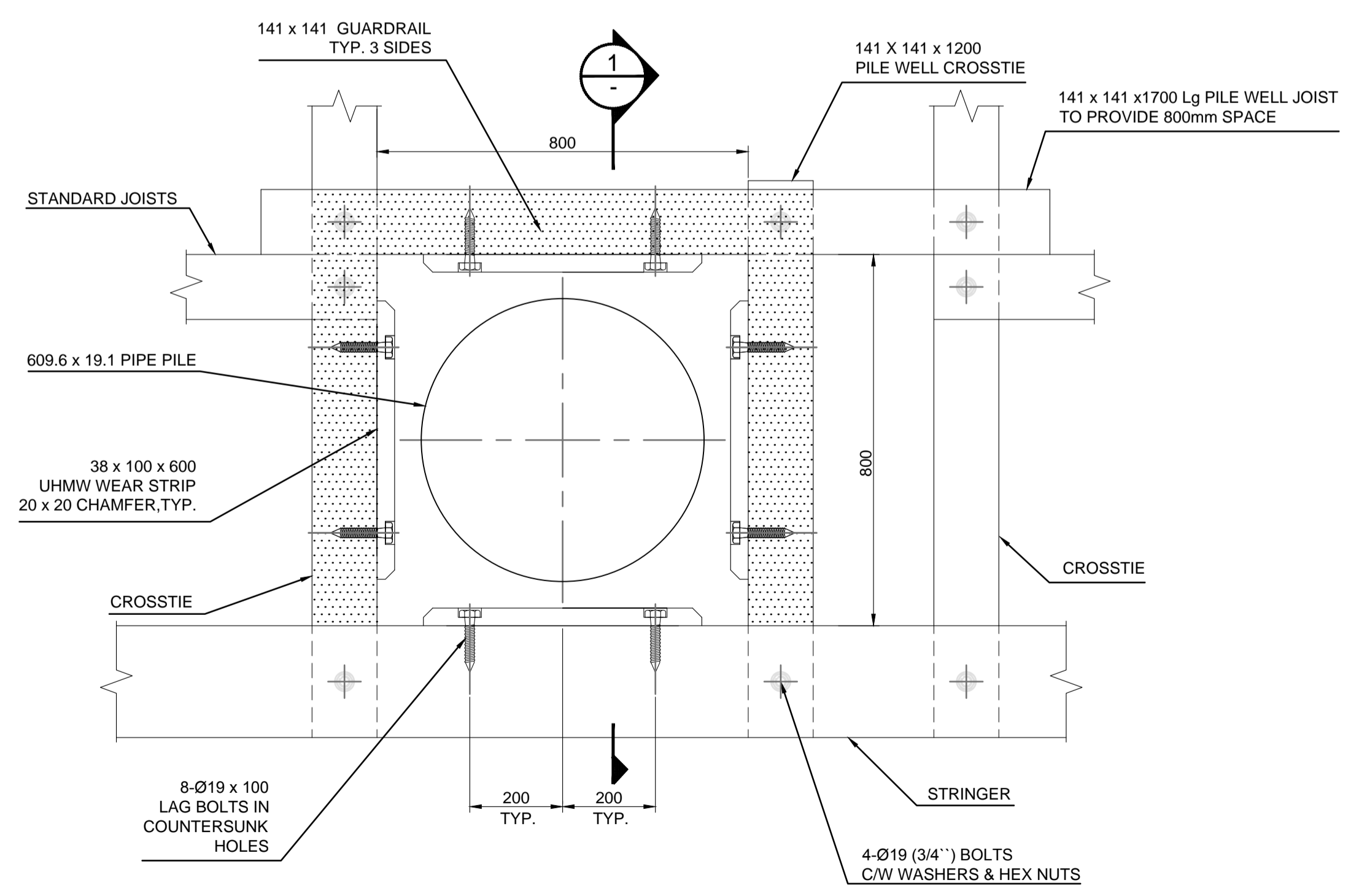
PILE	PILE TYPE	CUT OFF ELEVATION	APPROX. SEABED ELEV.	PILE LENGTH
A1	PIPE PILE 609.6 x 15.9 mm	+8.0 m	-3.0 m	20.0 m
D1	PIPE PILE 609.6 x 15.9 mm	+8.0 m	-3.0 m	20.0 m
D2	PIPE PILE 609.6 x 15.9 mm	+8.0 m	-3.0 m	20.0 m
D3	PIPE PILE 609.6 x 15.9 mm	+8.0 m	-3.0 m	20.0 m
D4	PIPE PILE 609.6 x 15.9 mm	+8.0 m	-3.0 m	20.0 m
E1	PIPE PILE 609.6 x 15.9 mm	+8.0 m	-4.0 m	21.0 m
E2	PIPE PILE 609.6 x 15.9 mm	+8.0 m	-4.0 m	21.0 m
E3	PIPE PILE 609.6 x 15.9 mm	+8.0 m	-4.0 m	21.0 m
E4	PIPE PILE 609.6 x 15.9 mm	+8.0 m	-4.0 m	21.0 m
E5	PIPE PILE 609.6 x 15.9 mm	+8.0 m	-4.0 m	21.0 m
H1	PIPE PILE 609.6 x 15.9 mm	+8.0 m	-3.0 m	20.0 m
H2	PIPE PILE 609.6 x 15.9 mm	+8.0 m	-3.0 m	20.0 m
J1	PIPE PILE 609.6 x 15.9 mm	+8.0 m	-3.0 m	20.0 m
J2	PIPE PILE 609.6 x 15.9 mm	+8.0 m	-3.0 m	20.0 m
J3	PIPE PILE 609.6 x 15.9 mm	+8.0 m	-3.0 m	20.0 m
L1	PIPE PILE 609.6 x 15.9 mm	+8.0 m	-4.0 m	21.0 m
L2	PIPE PILE 609.6 x 15.9 mm	+8.0 m	-4.0 m	21.0 m
L3	PIPE PILE 609.6 x 15.9 mm	+8.0 m	-4.0 m	21.0 m



DETAIL A TYPICAL TOP OF DOLPHINS
1:10

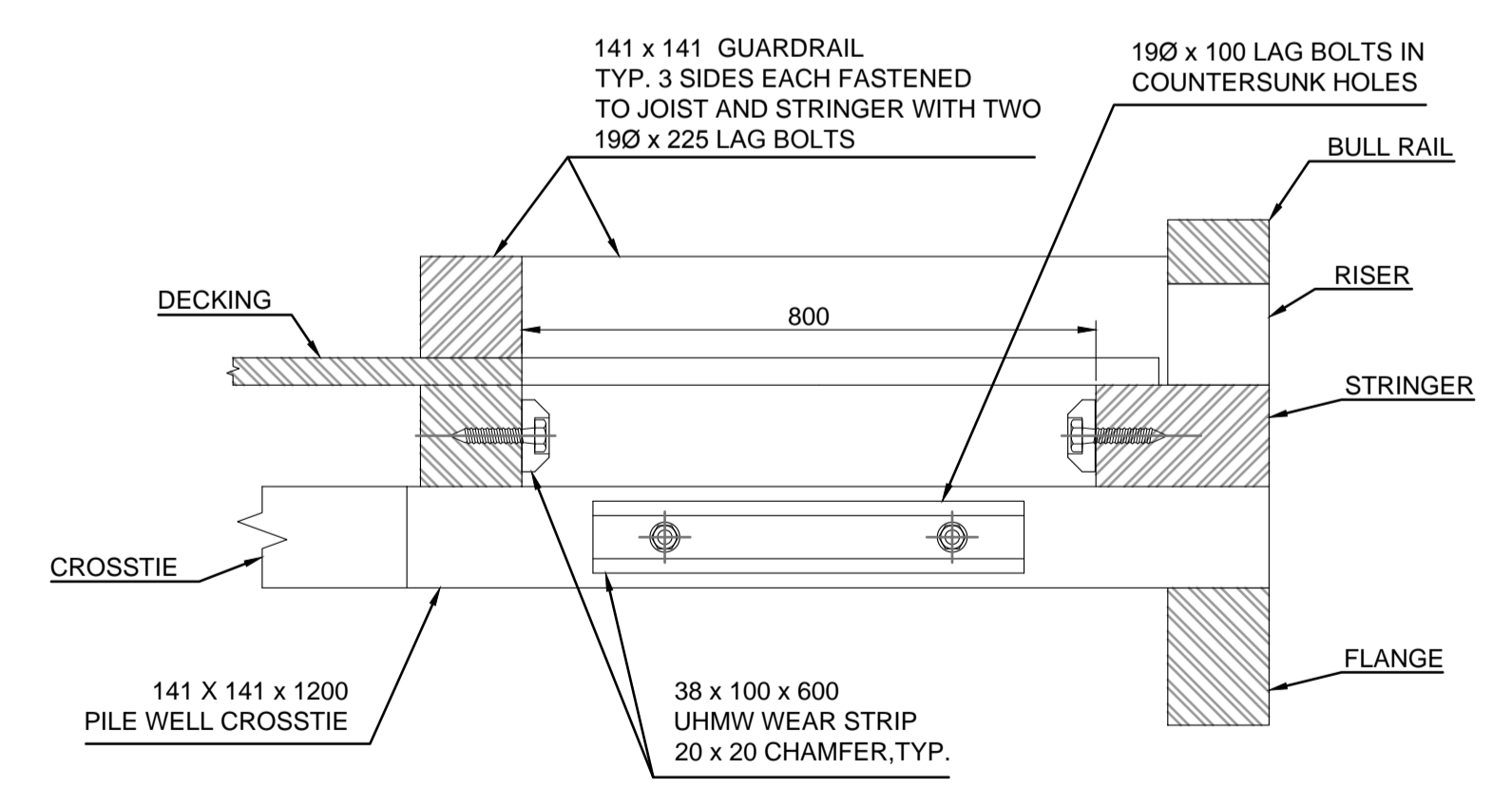


TYPICAL SECTION THROUGH FLOAT
1:100



TYPICAL PILE WELL DETAIL
1:10

DECKING NOT SHOWN FOR CLARITY. DECK PLANKS CUT TO SUIT PILE WELL.



SECTION 1
1:10

NOTES:
1. FOR GENERAL NOTES SEE DRAWING NO. -004

DO NOT SCALE DRAWINGS

Revision/Revision	Description/Description	Date/Date
A	ISSUED FOR TENDER	16/09/15

Client/client
**Fisheries & Oceans Canada
Small Craft Harbours Branch
Pacific Division**
200 - 401 Burrard Street
Vancouver, Canada, V6C 3S4

Project title/Titre du projet
**BELLA COOLA
SMALL CRAFT HARBOURS
FLOAT RECONSTRUCTION**

Approved by/Approuvé par
A.P.
Designed by/Concept par
A.P.
Drawn by/Dessiné par
WSL
PWGSC Project Manager/Administrateur de Projets TPSGC

PWGSC, Architectural and Engineering Resources Manager/
Ressources Architectural et de Directeur d'ingénierie, TPSGC
Client/client
VJA

Drawing title/Titre du dessin
DETAILS OF NEW PILE DOLPHINS

Project No./No. du projet	Sheet/Feuille	Revision no./ Le Révision no.
216126 BC-FR	005 OF	A