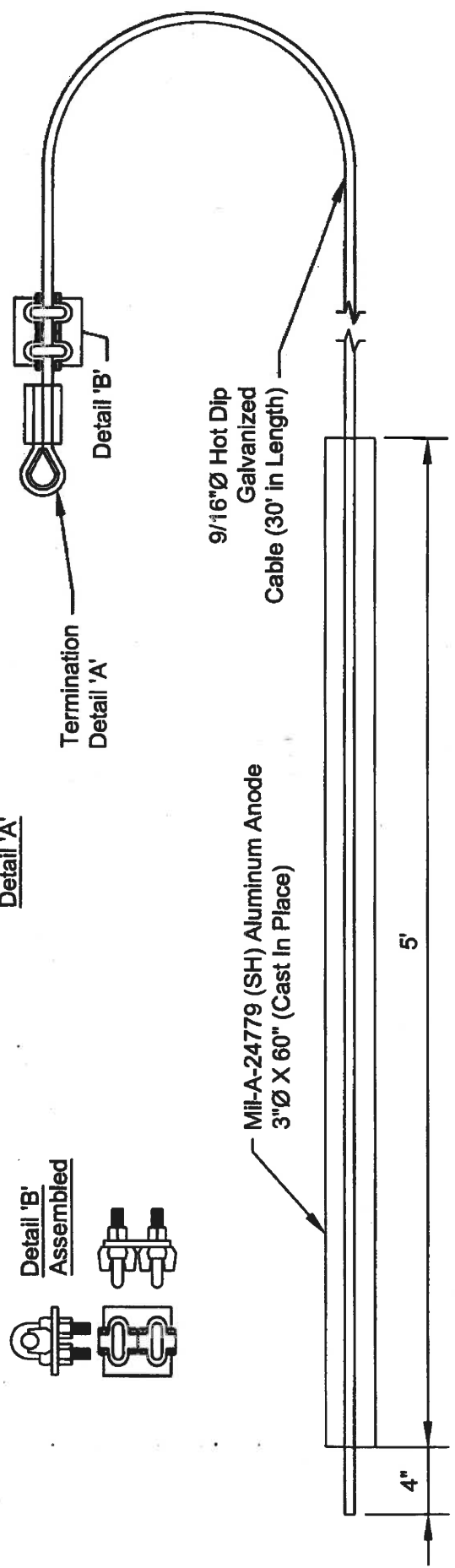
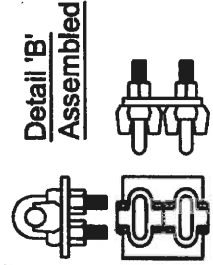
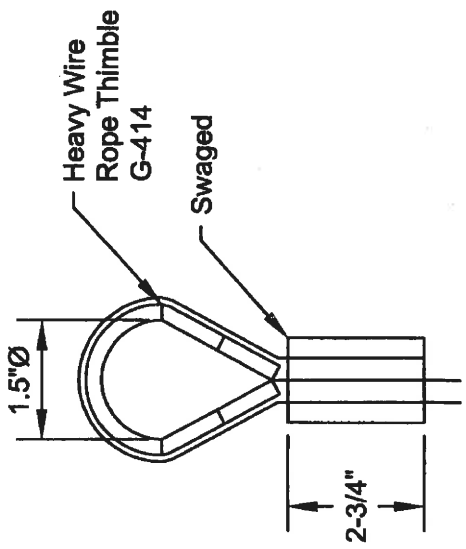
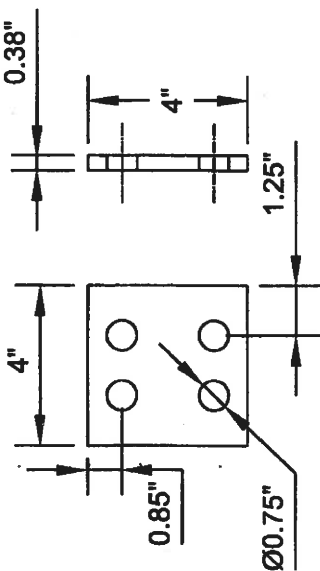


NOTE: Aluminum Alloy is Composed of the following elements (MIL-A-24779 (SH))

- ALUMINUM (Al) Remainder
- COPPER (Cu) 0.004% (MAX)
- IRON (Fe) 0.090% (MAX)
- INDIUM (In) 0.014% - 0.020%
- MERCURY (Hg) 0.001% (MAX)
- SILICON (Si) 0.080% - 0.200%
- ZINC (Zn) 4.000% - 6.500%



DESIGNED BY	CHECKED BY	APPROVED BY	NO.	DATE	REVISIONS	NOTES	REFERENCE DRAWINGS	DWG NO.	FISHERIES AND OCEANS CANADA SMALL CRAFT HARBOUR BRANCH			
									SCALE NTP	DATE JULY 18, 2008	DRAWING NUMBER ANODE II	REVISION

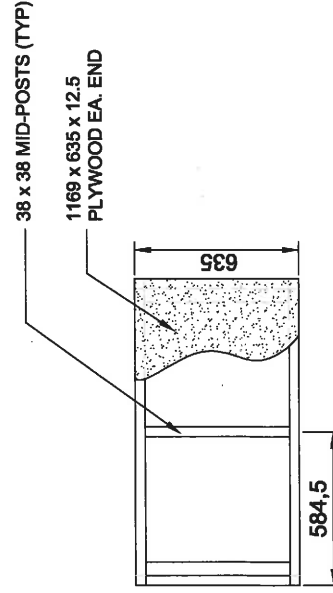
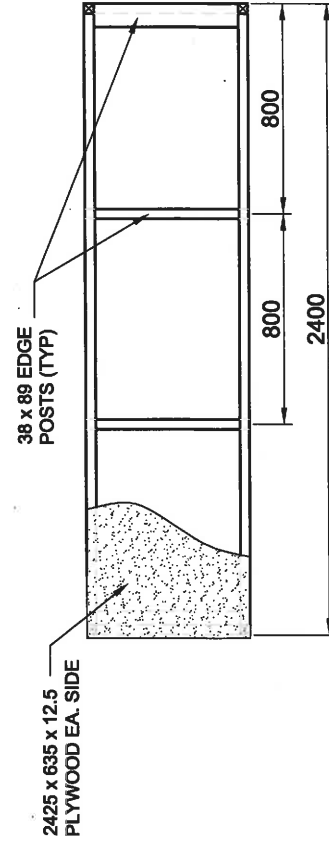
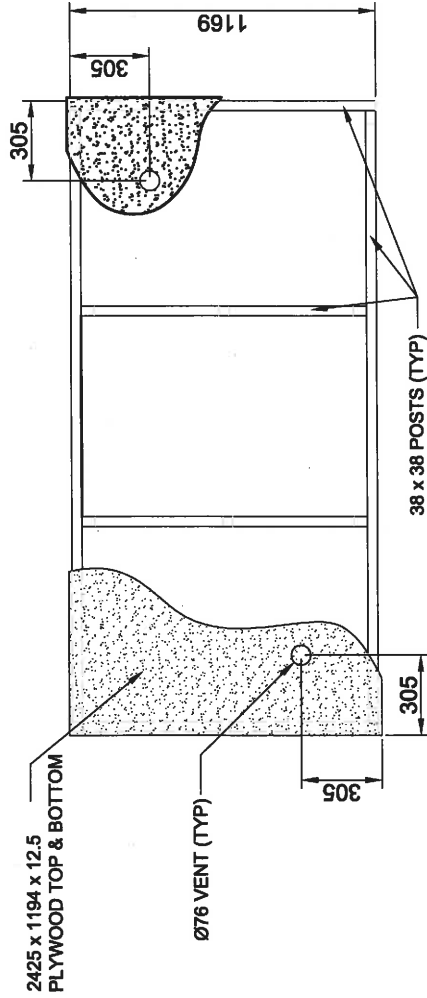
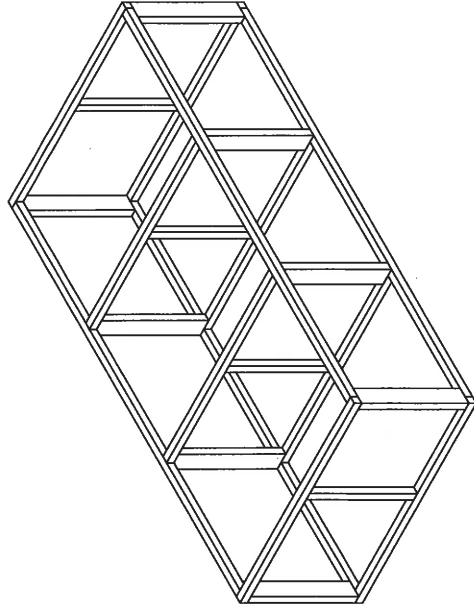


Fisheries and Oceans
Canada

Pêches et Océans
Canada

SMALL CRAFT HARBOURS
Pacific Region

PORTS POUR PETITS BATEAUX
Région de Pacifique



Client/client

Project title/Titre du projet

Drawing title/Titre du dessin

FULL SIZE FIBREGLOSS PONTOON FRAME

Consultant Signature & Date Only

Designed by/Conçeut par

Drawn by/Dessiné par

PMSC Project Manager/Administrateur
de Projets /PMSC

PMSC Project Manager, Subcontract and Engineering Section
Administrateur des Projets, Sous-traitance et Section d'Ingénierie

Date/Date
October 23, 2015

Project No./No. du
projet

PMG No.

002

Revision/

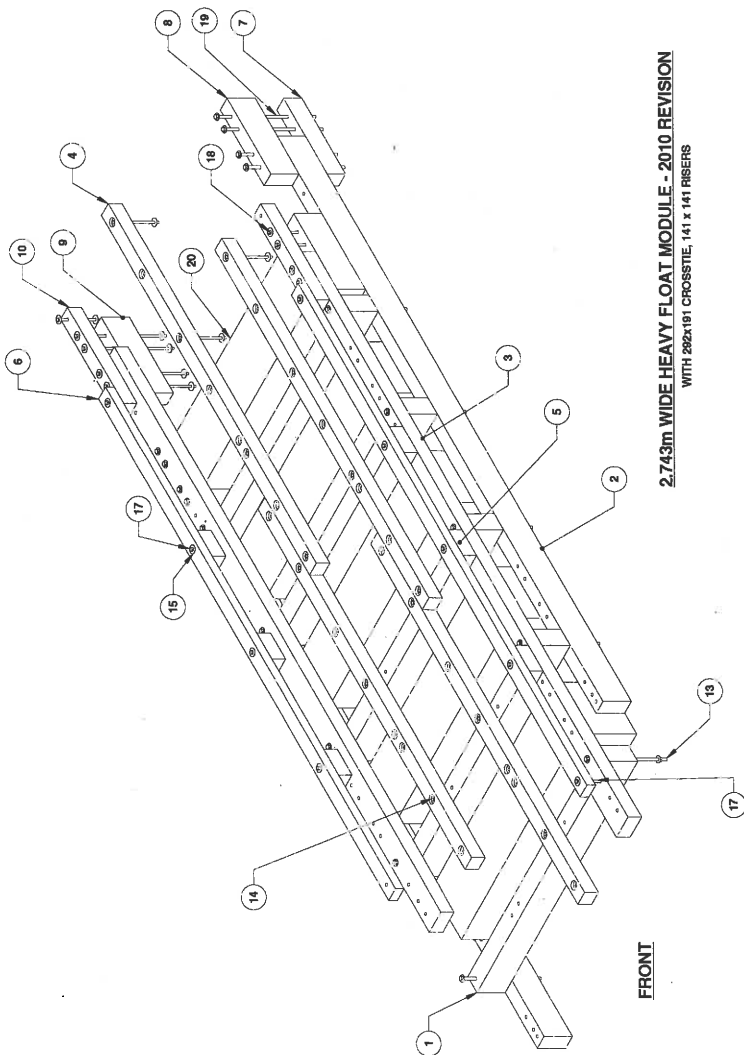


TIMBER MEMBERS

ITEM NO.	QTY.	TIMBER MEMBER	DESCRIPTION	MATERIAL
1	5	CROSSSTIES	(12x8) 282 x 101 x 2743 LG.	14 LB CREOSOTE TREATMENT #1 BTR FIR
2	2	FLANGE	(12x6) 282 x 141 x 6706 LG.	14 LB CREOSOTE TREATMENT #1 BTR FIR
3	2	STRINGER	(10x6) 241 x 141 x 6706 LG.	14 LB CREOSOTE TREATMENT #1 BTR FIR
4	4	JOIST	(6x6) 141 x 141 x 4267 LG.	14 LB CREOSOTE TREATMENT #1 BTR FIR
5	6	RIBER	(6x6) 141 x 141 x 305 LG.	ACZA
6	2	RAIL	(4x6) 89 x 141 x 5860 LG.	ACZA
7	2	LOWER FLANGE SPLICE	(6x6) 141 x 191 x 900 LG.	14 LB CREOSOTE TREATMENT #1 BTR FIR
8	2	UPPER FLANGE SPLICE	(6x12) 141 x 292 x 900 LG.	14 LB CREOSOTE TREATMENT #1 BTR FIR
9	2	LOWER STRINGER SPLICE	(6x12) 141 x 292 x 900 LG.	14 LB CREOSOTE TREATMENT #1 BTR FIR
10	2	UPPER STRINGER SPLICE	(6x6) 141 x 141 x 1140 LG.	ACZA
20	5	FOAM BOUJANCY BILLET	610 x 597 x 2438 LG.	
21	28	DECK PLATES	(12 x 2) 305 x 38 x 2440 LG.	ACZA

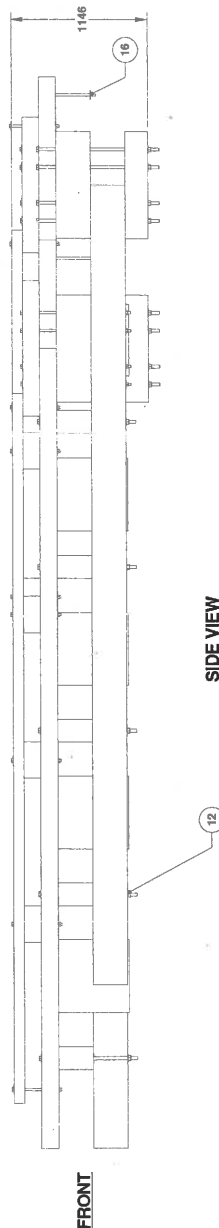
HARDWARE

ITEM NO.	QTY.	HARDWARE
13	10	HEX BOLT 25 x 812mm
14	14	HEX BOLT 25 x 457mm
15	100	WASHER 25
16	50	HEX NUT 25
17	10	HEX BOLT 25 x 406mm
18	8	HEX BOLT 25 x 914mm
19	8	HEX BOLT 25 x 1016mm
22	192	GALVANIZED SPIRALS NAILS 100mm LG



2.743m WIDE HEAVY FLOAT MODULE - 2010 REVISION
WITH 282x191 CROSSSTIE, 141 x 141 RIBERS

FRONT



SIDE VIEW
SCALE: 1:20

FRONT

Fisheries et Océans
Pêches et Océans
Small Craft
Harbours Branch

DATE: 2010-10-12
DRAWN BY: [Name]
CHECKED BY: [Name]
SCALE: 1:20

PROJECT: 2010 REVISION
2.743m WIDE HEAVY
FLOAT MODULE ASSEMBLY

REV: 1
REV: 2
REV: 3
REV: 4
REV: 5
REV: 6
REV: 7
REV: 8
REV: 9
REV: 10
REV: 11
REV: 12
REV: 13
REV: 14
REV: 15
REV: 16
REV: 17
REV: 18
REV: 19
REV: 20
REV: 21
REV: 22

PROJECT: 2010 REVISION
2.743m WIDE HEAVY
FLOAT MODULE ASSEMBLY

REV: 1
REV: 2
REV: 3
REV: 4
REV: 5
REV: 6
REV: 7
REV: 8
REV: 9
REV: 10
REV: 11
REV: 12
REV: 13
REV: 14
REV: 15
REV: 16
REV: 17
REV: 18
REV: 19
REV: 20
REV: 21
REV: 22

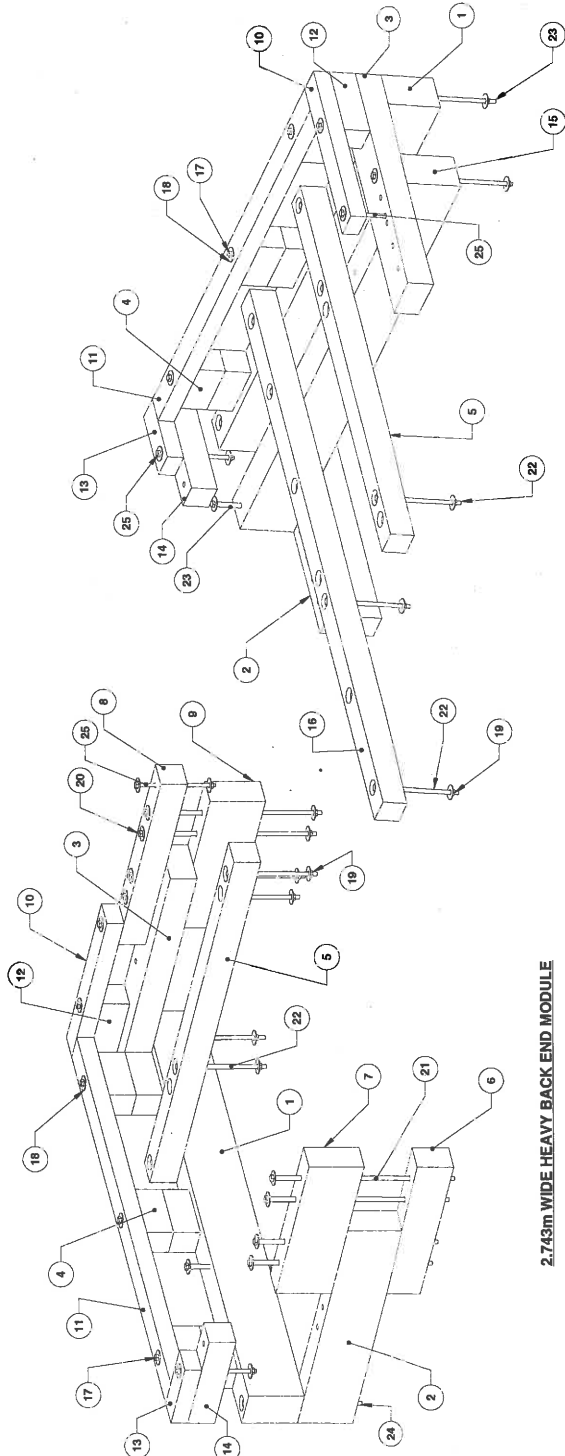
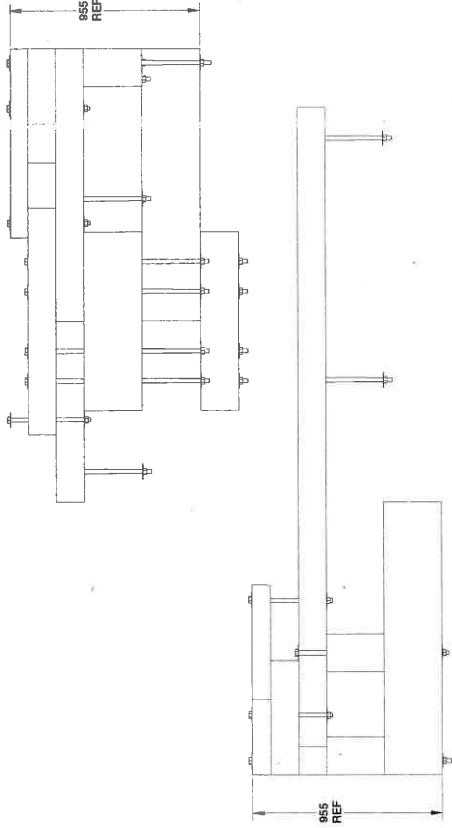
ResCAD
Services
Ltd.

TIMBER MEMBERS REQUIREMENTS

ITEM NO.	QTY.	TIMBER MEMBER	DESCRIPTION	MATERIAL
1	2	END CROSSIE	(8x12) 191 x 292 x 2743 LG.	14 IB. CREOSOTE TREATMENT #1 BTR FIR
2	2	FLANGE END	(6x12) 141 x 292 x 1372 LG.	14 IB. CREOSOTE TREATMENT #1 BTR FIR
3	2	STRINGER END	(6x10) 141 x 241 x 1372 LG.	14 IB. CREOSOTE TREATMENT #1 BTR FIR
4	12	END BLOCK (RISER)	(6x6) 141 x 141 x 305 LG.	ACZA
5	2	JOIST END 'B'	(6x6) 141 x 141 x 2281 LG.	14 IB. CREOSOTE TREATMENT #1 BTR FIR
6	1	LOWER FLANGE SPLICE	(6x6) 141 x 191 x 900 LG.	14 IB. CREOSOTE TREATMENT #1 BTR FIR
7	1	UPPER FLANGE SPLICE	(6x12) 141 x 292 x 900 LG.	14 IB. CREOSOTE TREATMENT #1 BTR FIR
8	1	UPPER STRINGER SPLICE	(6x6) 141 x 141 x 1140 LG.	ACZA
9	1	LOWER STRINGER SPLICE	(6x12) 141 x 292 x 900 LG.	14 IB. CREOSOTE TREATMENT #1 BTR FIR
10	2	RAIL END	(4x6) 89 x 141 x 952 LG.	ACZA
11	2	END RAIL	(4x6) 89 x 141 x 2461 LG.	ACZA
12	2	SPACER END	(6x6) 141 x 141 x 378 LG.	ACZA
13	2	RAIL END 'B'	(4x6) 89 x 141 x 375 LG.	ACZA
14	2	SPACER END 'B'	(6x6) 141 x 141 x 575 LG.	ACZA
15	1	STANDARD CROSSIE	(8x12) 191 x 292 x 2743 LG.	14 IB. CREOSOTE TREATMENT #1 BTR FIR
16	1	MODIFIED JOIST	(6x6) 141 x 141 x 9359 LG.	14 IB. CREOSOTE TREATMENT #1 BTR FIR

HARDWARE REQUIREMENTS

ITEM NO.	DESCRIPTION	QTY.
17	HEX BOLT 25 x 71mm	6
18	WASHERS 25mm DIA.	76
19	HEX NUT 25mm DIA.	38
20	HEX BOLT 25 x 914mm	4
21	HEX BOLT 25 x 965mm	4
22	HEX BOLT 25 x 457mm	11
23	HEX BOLT 25 x 782mm	4
24	HEX BOLT 25 x 610mm	2
25	HEX BOLT 25 x 406mm	7



2.743m WIDE HEAVY BACK END MODULE

2.745m WIDE HEAVY FRONT END MODULE

2.743m WIDE END FLOAT MODULES



Pêches et Océans
Small Craft
Horcaux Branch

FILE: 2.745m WIDE FLOAT
MODULE

DATE: 2010 REVISION
D 2.745m WIDE FLOAT
MODULE

REV.	DATE	DESCRIPTION
D	2010	2.745m WIDE FLOAT MODULE

SCALE: 1:100
DRAWN BY: [Name]
CHECKED BY: [Name]

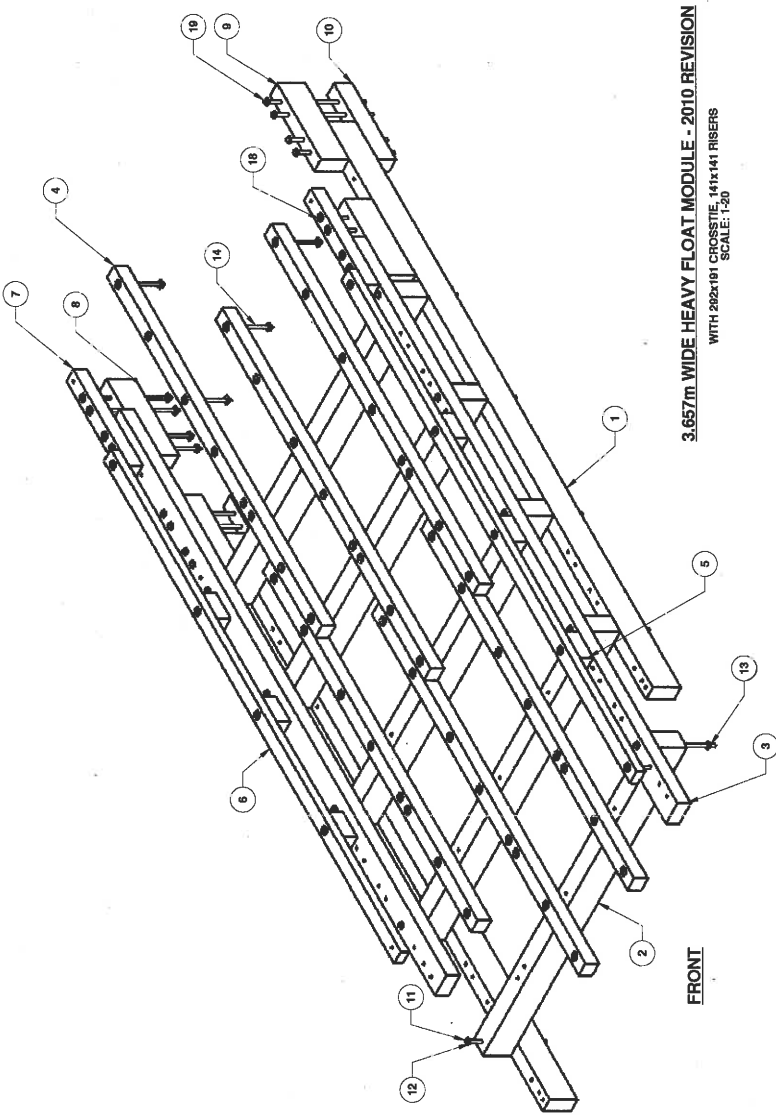
ME:CAD Services Ltd.
Fisheries & Oceans Canada
Small Craft Horcaux Branch
2.745m WIDE FLOAT MODULE
2010 REVISION
D
SCALE: 1:100

TIMBER MEMBERS

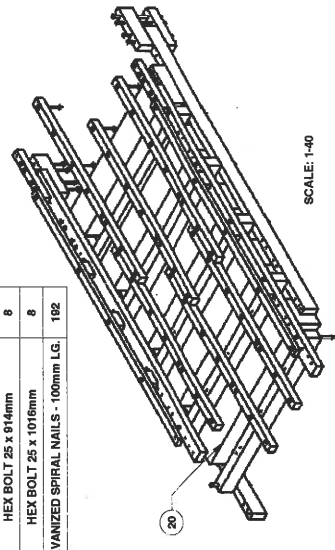
ITEM NO.	QTY.	TIMBER MEMBERS	DESCRIPTION	MATERIAL
1	2	FLANGE	(12x6) 292 X 141 X 6706 LG.	14 LB CREOSOTE TREATMENT #1 BTR FIR
2	5	CROSSTIE	(12x6) 292 X 191 X 9668 LG.	14 LB CREOSOTE TREATMENT #1 BTR FIR
3	2	STRINGER	(10x6) 241 X 141 X 6706 LG.	14 LB CREOSOTE TREATMENT #1 BTR FIR
4	6	JOIST	(6x6) 141 X 141 X 4287 LG.	14 LB CREOSOTE TREATMENT #1 BTR FIR
5	6	RISERS	(6x6) 141 X 141 X 905 LG.	ACZA
6	2	RAIL	(4x6) 90 X 141 X 5950 LG.	ACZA
7	2	UPPER STRINGER SPLICE	(6x6) 141 X 141 X 1140 LG.	ACZA
8	2	LOWER STRINGER SPLICE	(6x12) 141 X 292 X 900 LG.	14 LB CREOSOTE TREATMENT #1 BTR FIR
9	2	UPPER FLANGE SPLICE	(6x12) 141 X 292 X 900 LG.	14 LB CREOSOTE TREATMENT #1 BTR FIR
10	2	LOWER FLANGE SPLICE	(6x6) 141 X 191 X 900 LG.	14 LB CREOSOTE TREATMENT #1 BTR FIR
20	5	FOAM BUOYANCY BILLET	610 X 597 X 3552 LG.	
21	28	DECK PLATES	(12x2) 905 X 36 X 2440 LG.	ACZA

HARDWARE

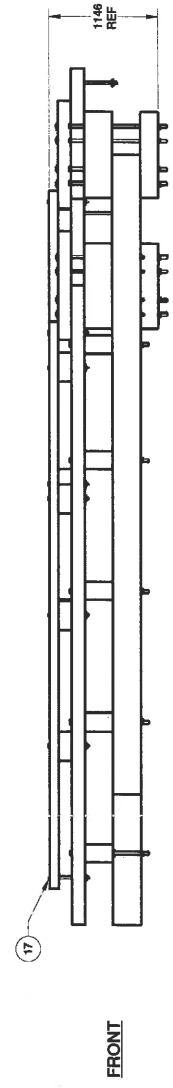
ITEM NO.	HARDWARE	QTY.
11	HEX BOLT 25 X 812mm	10
12	WASHERS 25mm	112
13	HEX NUTS 25mm	56
14	HEX BOLT 25 X 457mm	21
17	HEX BOLT 25 X 406mm	9
18	HEX BOLT 25 X 914mm	8
19	HEX BOLT 25 X 1016mm	8
22	GALVANIZED SPIRAL NAILS - 100mm LG.	182



3.657m WIDE HEAVY FLOAT MODULE - 2010 REVISION
WITH 292x191 CROSSTIE, 141x141 RISERS
SCALE: 1:20



SCALE: 1:40



SIDE VIEW
SCALE: 1:25

Fisheries & Oceans
Pêches et Océans

Small Craft Harbour Branch

PROJECT NO. 2010 REVISION
TITLE: 3.657m WIDE HEAVY FLOAT MODULE ASSEMBLY

DATE: 11/11/10
DRAWN BY: [Name]
CHECKED BY: [Name]
SCALE: 1:25

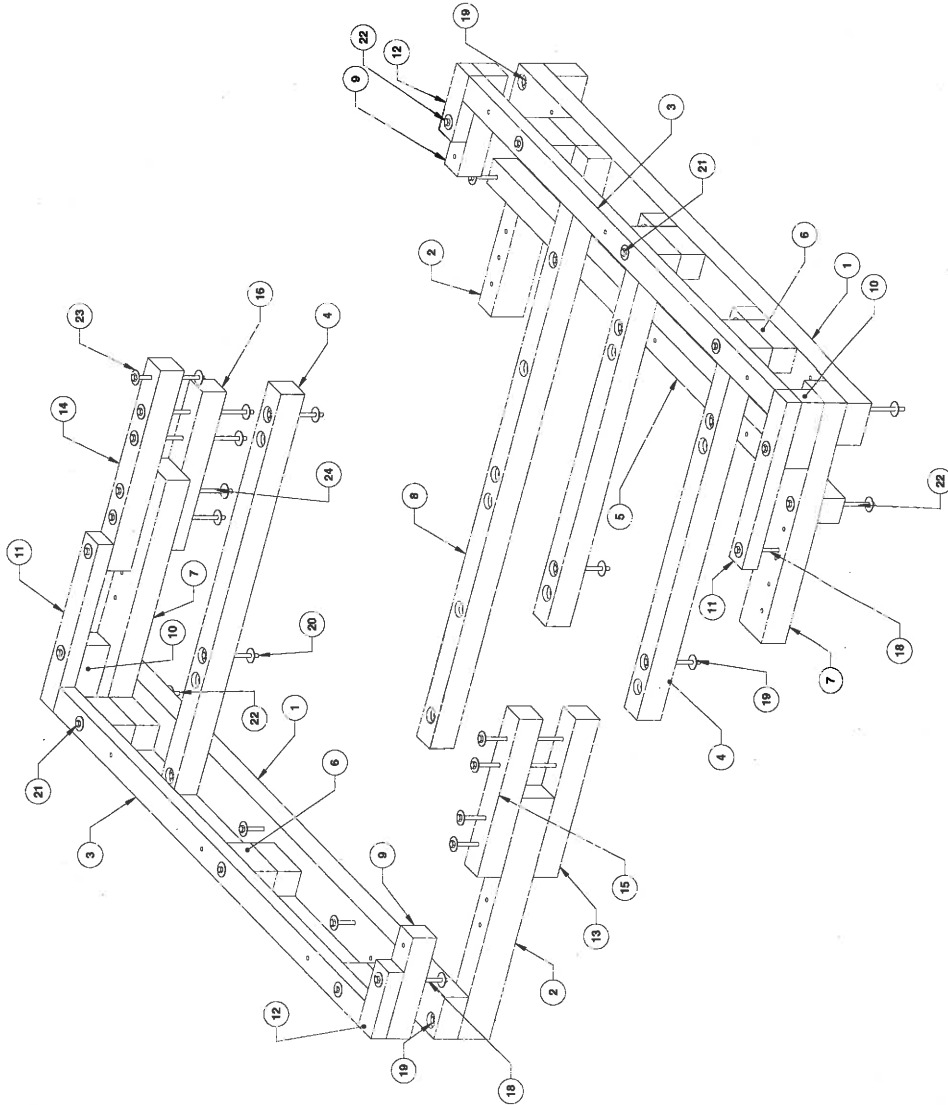
NO.	REV.	DESCRIPTION
1		ISSUED FOR CONSTRUCTION
2		
3		
4		
5		
6		
7		
8		
9		
10		
11		
12		
13		
14		
15		
16		
17		
18		
19		
20		
21		
22		
23		
24		
25		
26		
27		
28		
29		
30		
31		
32		
33		
34		
35		
36		
37		
38		
39		
40		
41		
42		
43		
44		
45		
46		
47		
48		
49		
50		
51		
52		
53		
54		
55		
56		
57		
58		
59		
60		
61		
62		
63		
64		
65		
66		
67		
68		
69		
70		
71		
72		
73		
74		
75		
76		
77		
78		
79		
80		
81		
82		
83		
84		
85		
86		
87		
88		
89		
90		
91		
92		
93		
94		
95		
96		
97		
98		
99		
100		

TIMBER MEMBER REQUIREMENTS

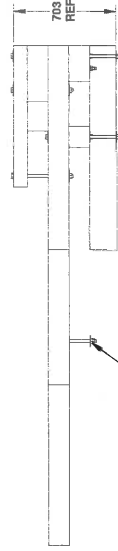
ITEM NO.	QTY.	TIMBER MEMBER	DESCRIPTION	MATERIAL
1	2	END CROSSIE	(8x10) 141 x 241 x 3658 LG.	14 LB. CREOSOTE TREATMENT #1 BTR FIR
2	2	FLANGE END	(6x6) 141 x 191 x 1372 LG.	14 LB. CREOSOTE TREATMENT #1 BTR FIR
3	2	END RAIL	(4x6) 89 x 141 x 3376 LG.	ACZA
4	3	JOIST END 'B'	(6x6) 141 x 141 x 2281 LG.	14 LB. CREOSOTE TREATMENT #1 BTR FIR
5	1	STANDARD CROSSIE	(6x6) 141 x 141 x 3558 LG.	14 LB. CREOSOTE TREATMENT #1 BTR FIR
6	12	END BLOCK	(6x6) 141 x 141 x 305 LG.	ACZA
7	2	STRINGER END	(8x10) 141 x 241 x 1372 LG.	14 LB. CREOSOTE TREATMENT #1 BTR FIR
8	1	MODIFIED JOIST	(6x6) 141 x 141 x 3558 LG.	14 LB. CREOSOTE TREATMENT #1 BTR FIR
9	2	SPACER END 'B'	(6x6) 141 x 141 x 576 LG.	ACZA
10	2	SPACER END	(6x6) 141 x 141 x 378 LG.	ACZA
11	2	RAIL END	(4x6) 89 x 141 x 952 LG.	ACZA
12	2	RAIL END 'B'	(4x6) 89 x 141 x 378 LG.	ACZA
13	1	LOWER FLANGE SPLICE	(6x6) 141 x 141 x 900 LG.	14 LB. CREOSOTE TREATMENT #1 BTR FIR
14	1	UPPER STRINGER SPLICE	(6x6) 141 x 141 x 1140 LG.	ACZA
15	1	UPPER FLANGE SPLICE	(6x6) 141 x 141 x 900 LG.	14 LB. CREOSOTE TREATMENT #1 BTR FIR
16	1	LOWER STRINGER SPLICE	(6x6) 141 x 141 x 900 LG.	14 LB. CREOSOTE TREATMENT #1 BTR FIR

HARDWARE REQUIREMENTS

ITEM NO.	QTY.	DESCRIPTION
18	7	HEX BOLT 19 x 406mm
19	2	HEX BOLT 19 x 356mm
20	13	HEX BOLT 19 x 300mm
21	6	HEX BOLT 19 x 557mm
22	4	HEX BOLT 19 x 508mm
23	80	WASHER 19mm DIA.
24	8	HEX BOLT 19 x 660mm
25	40	HEX NUT 19mm DIA.



3.65m WIDE FLOAT END MODULES



Fisheries and Oceans
Pêches et Océans
Small Craft
Harbours Branch

DATE: 06/02 WSL
DRAWN BY: [blank]
CHECKED BY: [blank]
PROJECT NO.: [blank]
PROJECT NAME: [blank]
PROJECT LOCATION: [blank]
SCALE: [blank]
SHEET NO.: [blank]

TITLE: 3.65m WIDE FLOAT
MODULE
2005 REVISION

REV: [blank] D
REV: [blank] D
REV: [blank] D

VERSION 2
DATE: 02/08/05
BY: [blank]

PROJECT NO.: [blank]
PROJECT NAME: [blank]
PROJECT LOCATION: [blank]

SCALE: [blank]

DATE: 02/08/05
BY: [blank]