



6	RE-ISSUED FOR TENDER	16/10/19
5	ISSUED FOR TENDER	16/08/23
4	ISSUED FOR CLIENT REVIEW	16/07/13
3	ISSUED FOR CLIENT REVIEW	16/05/13
2	ISSUED FOR CLIENT REVIEW	16/04/08
1	ISSUED FOR CLIENT REVIEW	16/02/24
0	ISSUED FOR INTERNAL REVIEW	16/02/19

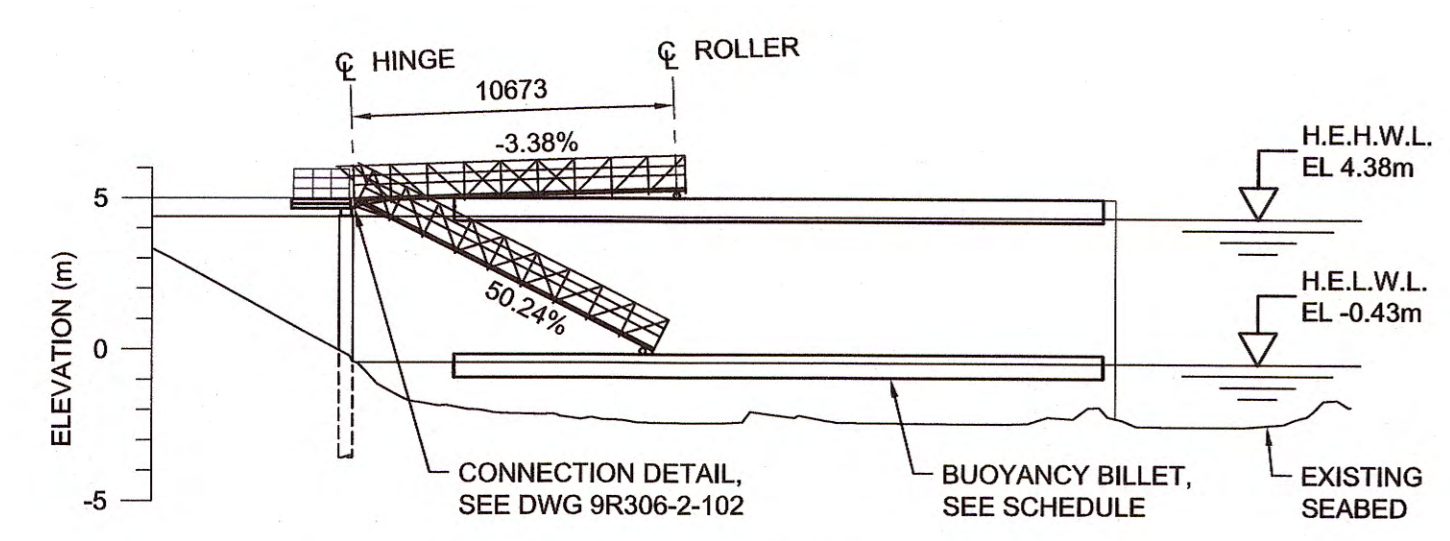
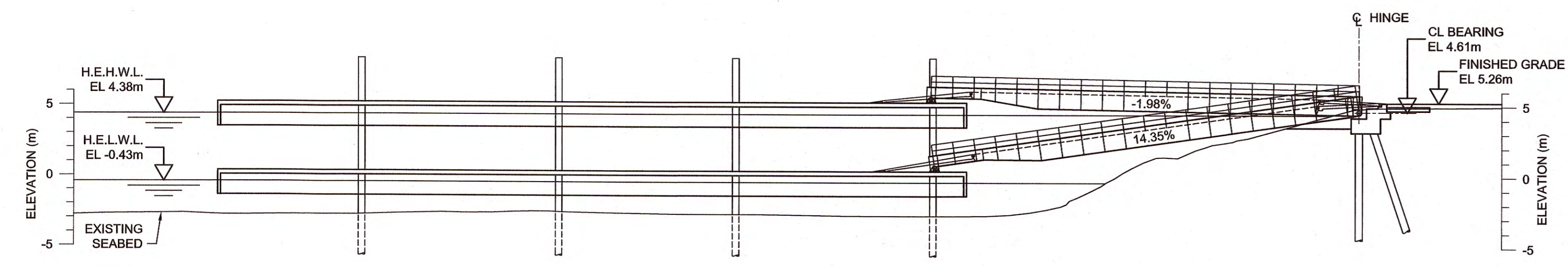
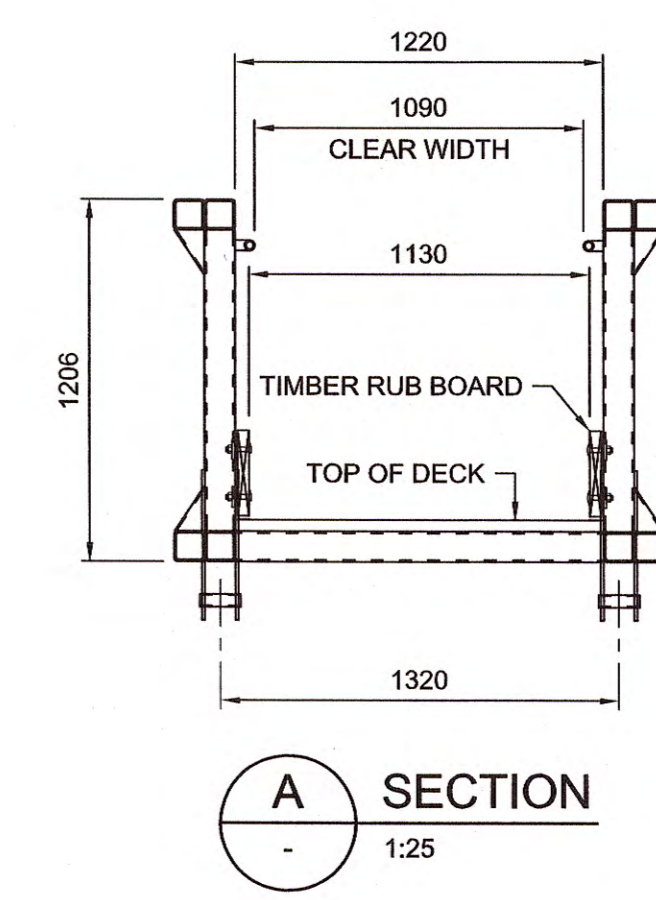
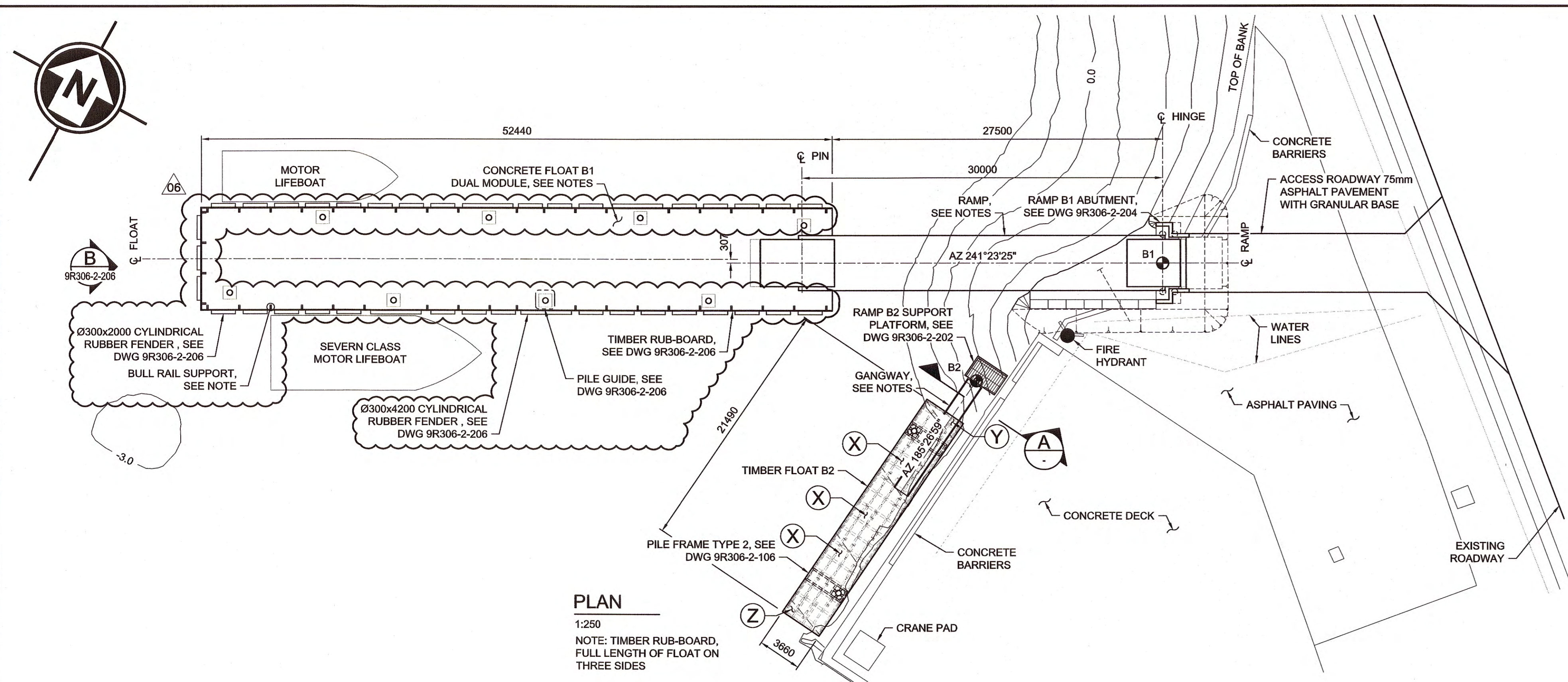
**FISHERIES AND OCEANS  
SMALL CRAFT  
HARBOURS BRANCH**

**Project title/Titre du projet**  
  
**INSTITUTE OF OCEAN SCIENCES (IOS)  
TIMBER AND CONCRETE FLOATS  
A, B1, B2, C & D INSTALLATION**

Consultant Signature Only  
-  
Designed by/Conçue par  
C. LEHANE / JANUARY 21, 2016  
Drawn by/Dessiné par  
E. YANG / JANUARY 21, 2015  
PWSC Project Manager/Administrateur de Projets TPSGC  
-  
Regional Manager, Architectural and Engineering Services  
Gestionnaire régional, Services d'architecture et de génie, TPSGC  
-

**Drawing title/Titre du dessin**  
**FLOAT B  
PLAN**

Project No./No. du projet <b>9R306-2</b>	Sheet/Feuille <b>201</b> OF XX	Revision no./La Révision no. <b>6</b>
---	--------------------------------------	--



**B2 BUOYANCY BILLET SCHEDULE**

LOCATION	QUANTITY	BILLET DIMENSIONS L x W x H (mm)
PILE FRAME	2	2200 x 1160 x 400
GANGWAY LANDING (IN 4TH AND 6TH BAY)	2	3352 x 1000 x 715
ALL OTHER CROSSTIE BAYS	11	3352 x 1000 x 597

NOTES: PILE FRAME & GANGWAY LANDING BILLETS TO BE SUPPLIED BY CONTRACTOR.

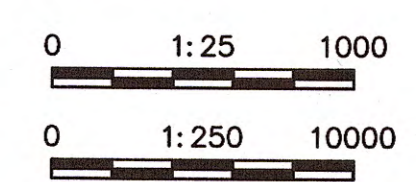
**LEGENDS:**

- (X) STANDARD 3.657m WIDE HEAVY FLOAT MODULE, SEE DWG FM12-HV-000-REV G.
- (Y) STANDARD SINGLE JOIST FLOAT END WITH FLANGE SPLICE, SEE DWG FM12-HV-END-000\_REV I.
- (Z) STANDARD THREE JOIST FLOAT END, SEE DWG FM12-HV-END-000\_REV I.

**NOTES:**

1. FOR GENERAL NOTES, SEE DWG 9R306-001.
2. FOR WORKPOINT COORDINATES, SEE DWG 9R306-003.
3. FOR PILE LOCATION AND COORDINATES, SEE DWG 9R306-004.
4. FOR CONCRETE FLOAT B1 DUAL MODULE, SEE SMALL CRAFT HARBOURS STANDARD CONCRETE FLOAT MODULE DWG 56134-0801-R13CONCRETE FLOAT-SHEET 1 TO 56134-0801-0-CONCRETE FLOAT-SHEET 21.
5. FOR RAMP, SEE VEHICLE RAMP TO FLOATING DOCK FOR 20,000 kg GVW STRAIGHT TRUCKS TENDER DWG 215132-101 TO 215-32-109.

**PRELIMINARY**  
DO NOT USE FOR CONSTRUCTION



LAST SAVE: 2016/10/19 11:33:00pm  
PATH: H:\DATA\B34554 - IOS Float Replacement\VP - Marine\FPD - Drawings\9R306-2-201.dwg

