



Revision/Revision	Description/Description	Date/Date
0	ISSUED FOR TENDER	16/10/19

FISHERIES AND OCEANS
SMALL CRAFT
HARBOURS BRANCH

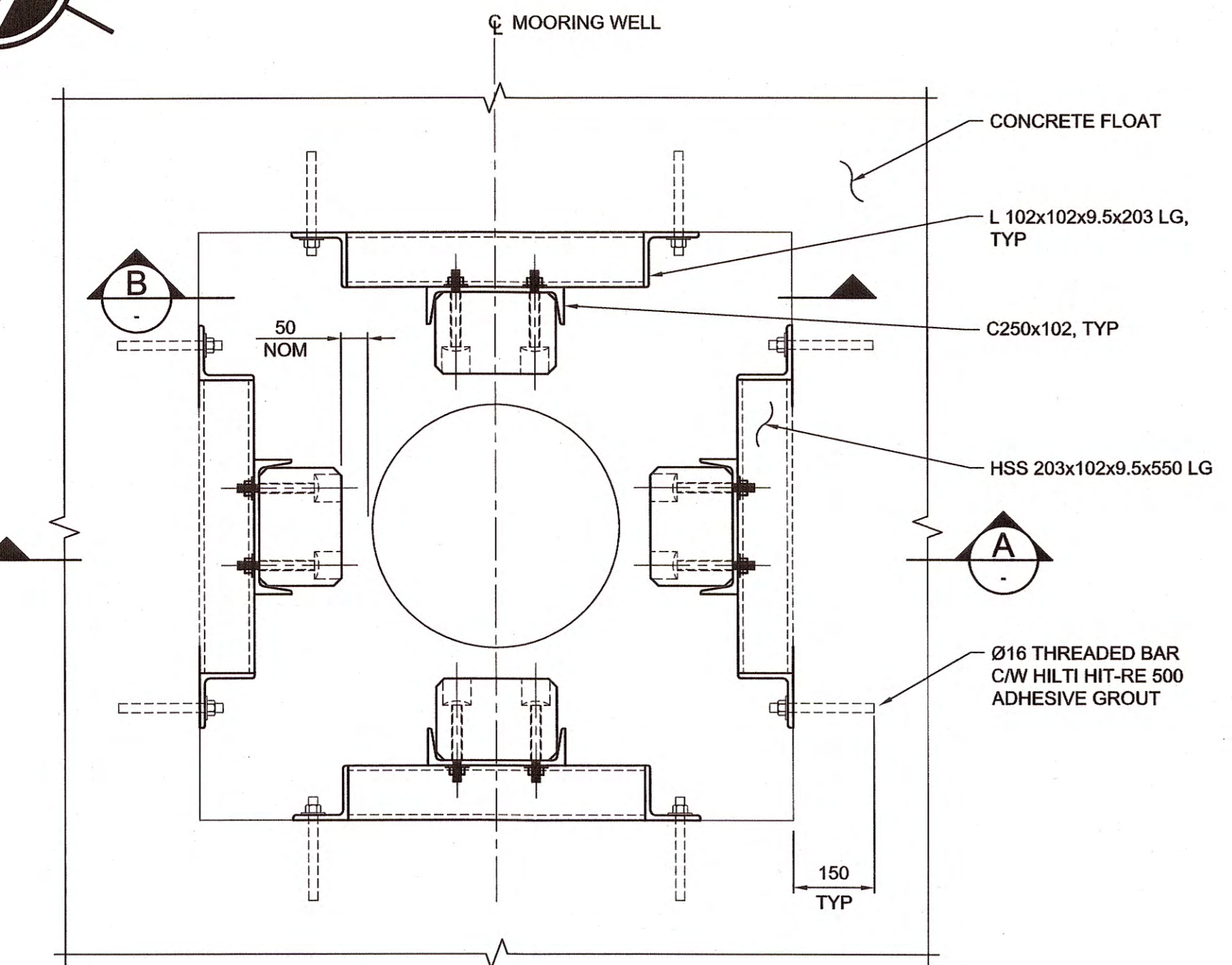
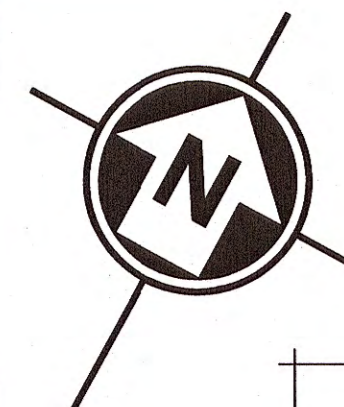
Project Title/Titre du projet

INSTITUTE OF OCEAN SCIENCES (IOS)
TIMBER AND CONCRETE FLOATS
A, B1, B2, C & D INSTALLATION

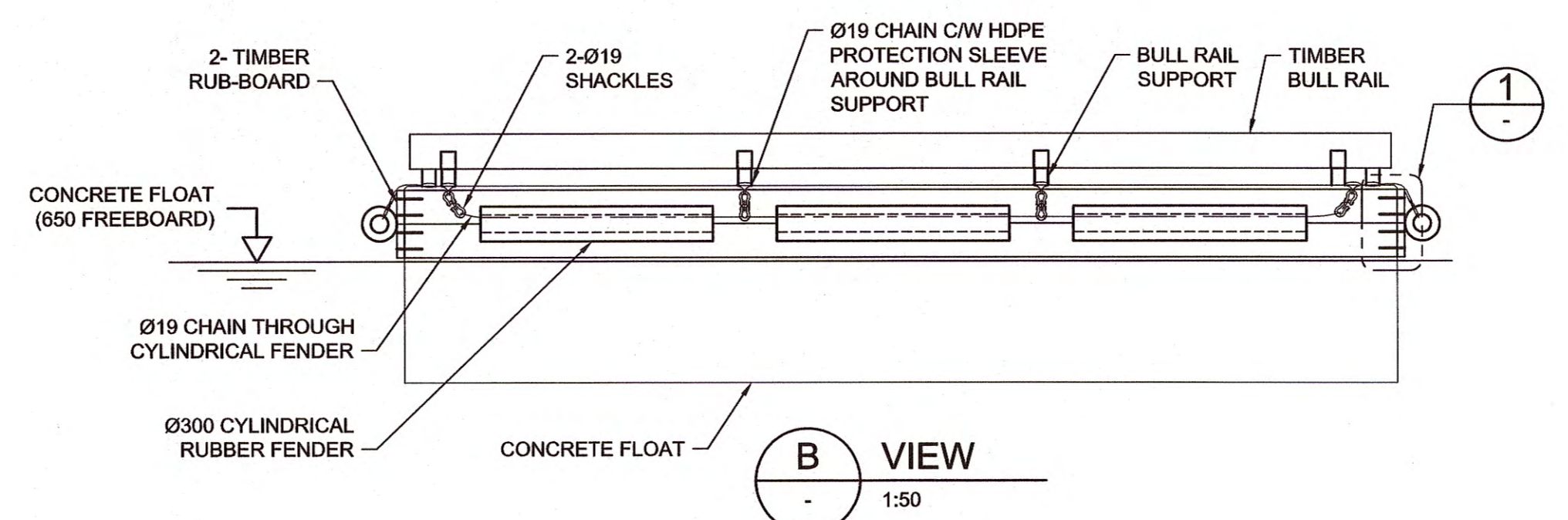
Consultant Signature Only
Designed by/Conçu par
C. LEHANE / OCTOBER 05, 2016
Drawn by/Dessiné par
E. YANG / OCTOBER 05, 2016
PWGSC Project Manager/Administrateur de Projets TPSGC
Regional Manager, Architectural and Engineering Services
Gestionnaire régionale, Services d'architecture et de génie, TPSGC

Drawing Title/Titre du dessin
FLOAT B1
PILE GUIDE AND FENDER
SECTIONS AND DETAILS

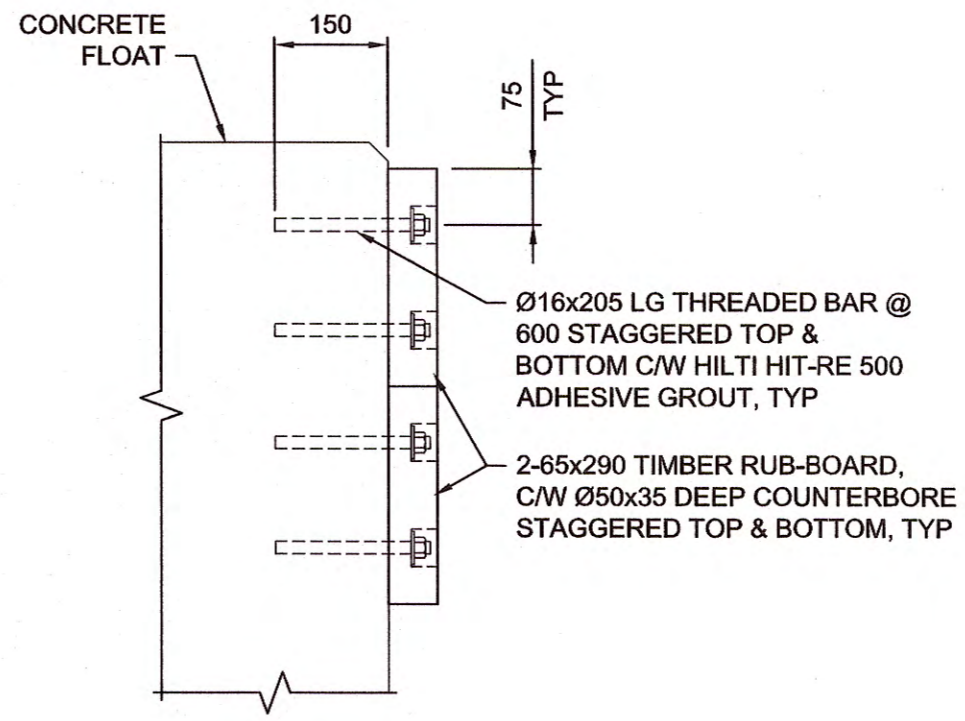
Project No./No. du projet 9R306-2	Sheet/Feuille 206 OF XX	Revision no./ La Révision no. 0
--------------------------------------	-------------------------------	---------------------------------------



PILE GUIDE DETAIL
1:10



B VIEW
1:50



1 DETAIL
1:10

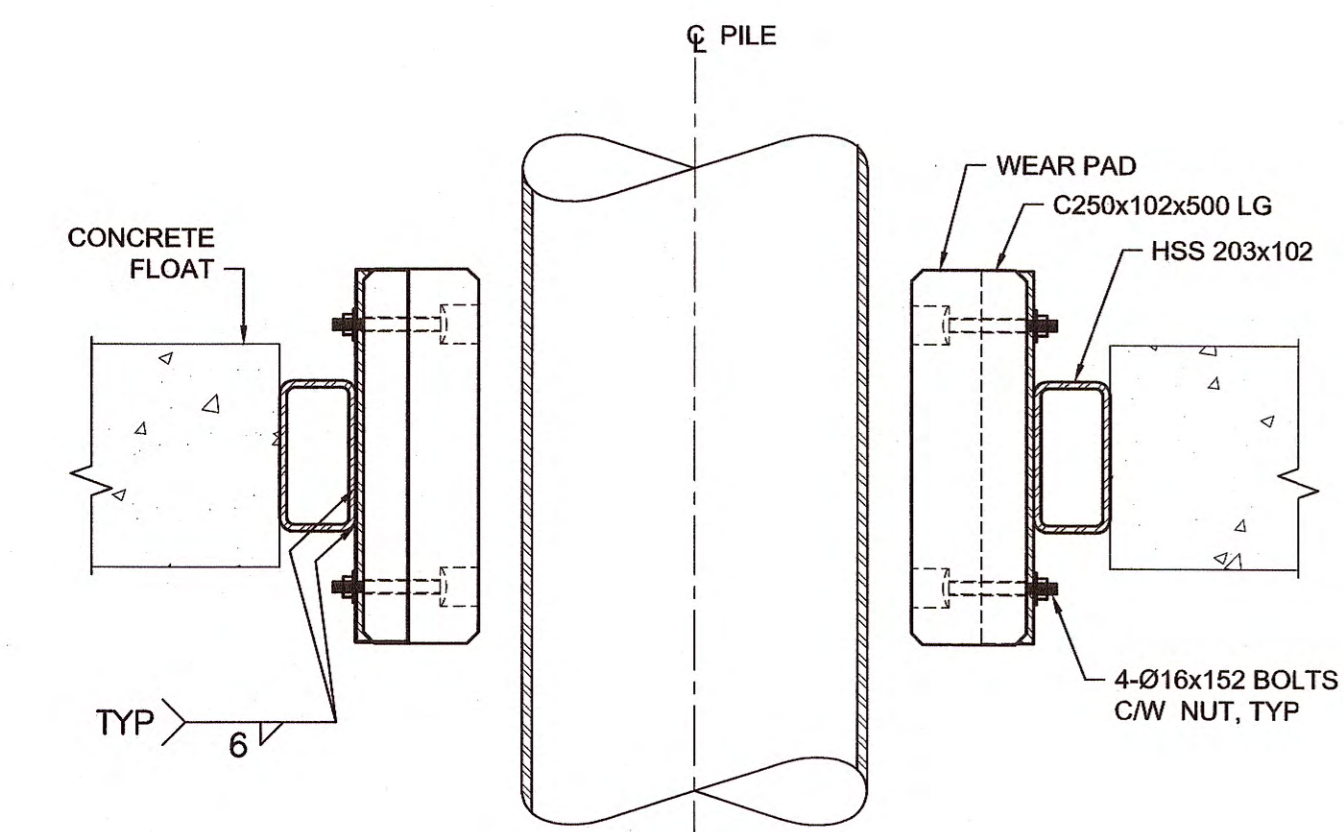
VARIES
SEE TABLE

CYLINDRICAL RUBBER FENDER LENGTH (mm)	No REQUIRED
3000	35
4200	4

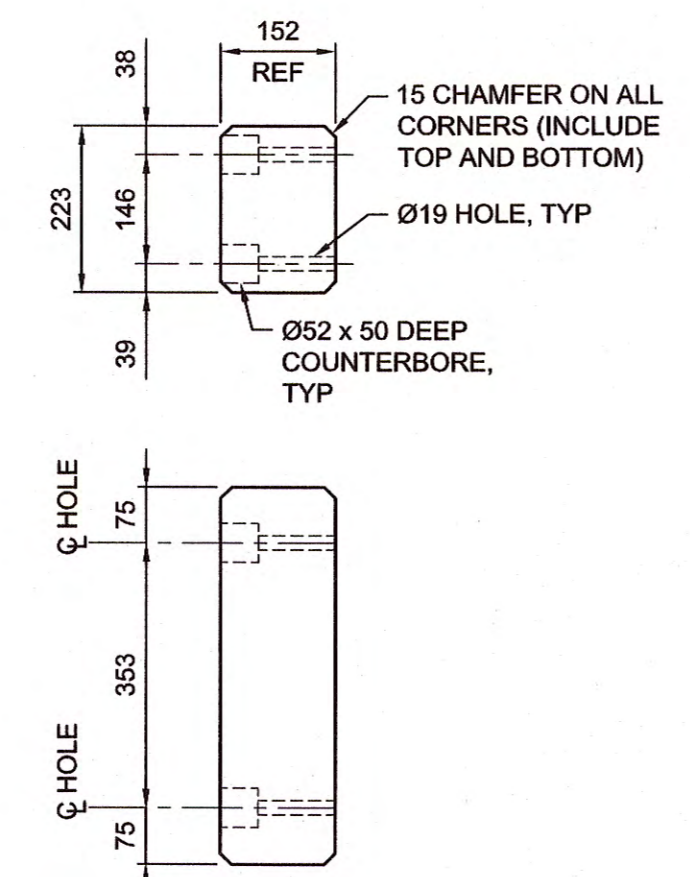
FENDER
1:25

CYLINDRICAL RUBBER FENDER LENGTH (mm)	No REQUIRED
3000	35
4200	4

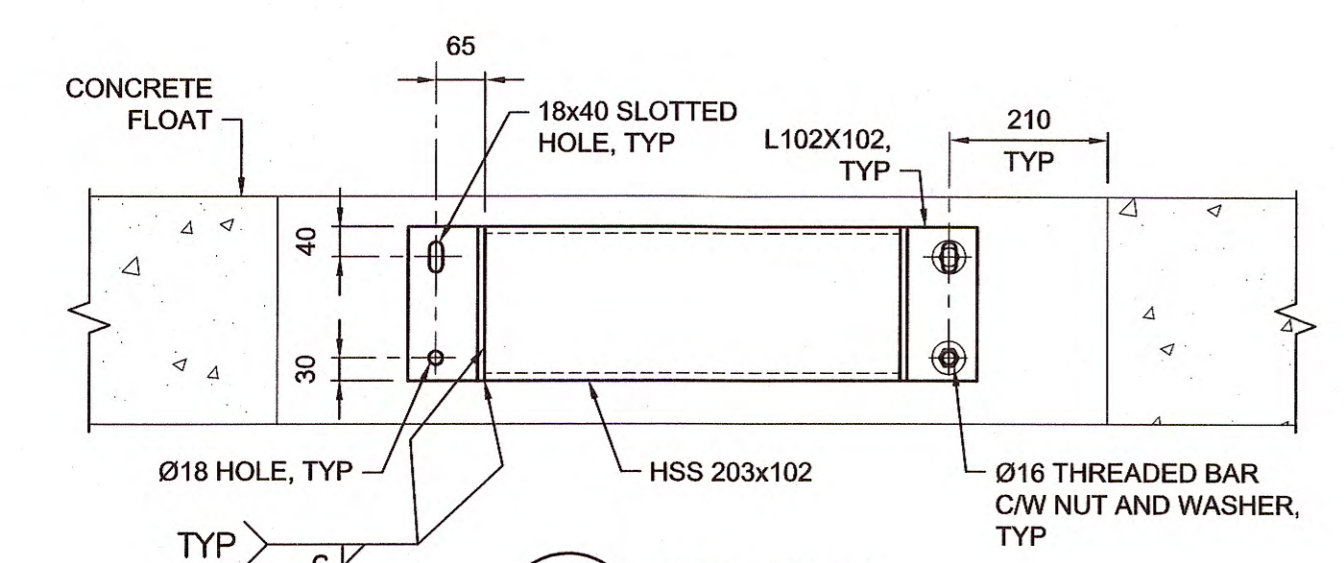
NOTE:
- CYLINDRICAL RUBBER FENDER WITH A RATED ENERGY ABSORPTION CAPACITY OF 10 kNm & RATED REACTION OF 153 kNm.
- FENDER SPECIFICATION & LAYOUT TO BE SUBMITTED TO THE ENGINEER FOR REVIEW & APPROVAL.
- CONTRACTOR TO VERIFY LOCATION OF BULLRAIL SUPPORTS AND REQUIRED LENGTH OF FENDERS FOR CONCRETE FLOAT PRIOR TO FABRICATION.



A SECTION
1:10



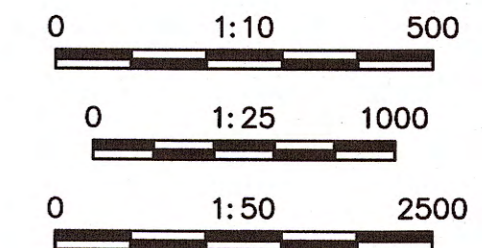
WEAR PAD
1:10
NOTE: THICKNESS TO BE ADJUSTED ON SITE TO GIVE NOMINAL CLEARANCE TO INSTALLED PILE POSITIONS.



B SECTION
1:10

- NOTES:
- FOR GENERAL NOTES, SEE DWG 9R306-001.
 - FOR PILE LOCATION AND COORDINATES, SEE DWG 9R306-004.
 - CONTRACTOR TO LOCATE REBAR ON CONCRETE FLOAT TO CONFIRM BOLT LOCATIONS PRIOR TO FABRICATION OF RUB-BOARDS AND PILE GUIDES.
 - HOLES IN CONCRETE FLOAT TO BE DRILLED NOT CORED.

PRELIMINARY
DO NOT USE FOR CONSTRUCTION



LAST SAVE: 2016/10/19 - 3:24pm
PATH: H:\DATA\634654 - IOS Float Replacement\4P - Marine\4PDD - Drawings\9R306-2-206.dwg

