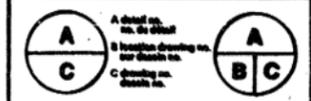


AS BUILT  
Except as shown.

revision



project

PORT EDWARD HARBOUR IMPROVEMENTS - #7 WHARF CONSTRUCTION

drawing sheet

TYPICAL SECTIONS & CONSTRUCTION DETAILS

designed

drawn E. M. Moller

date Oct. 1985

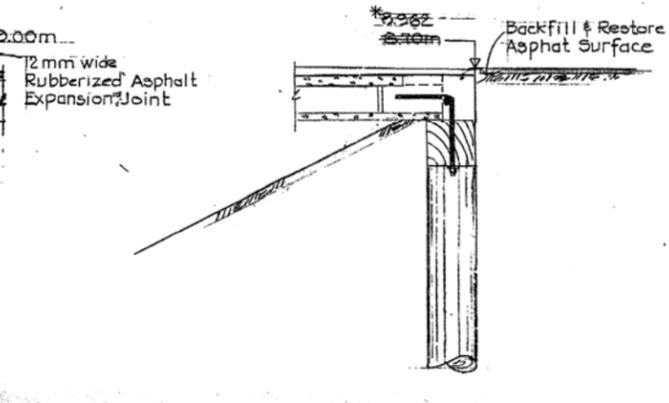
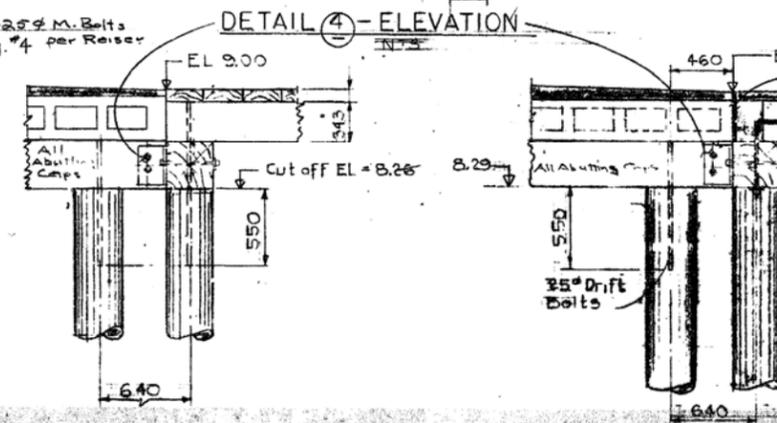
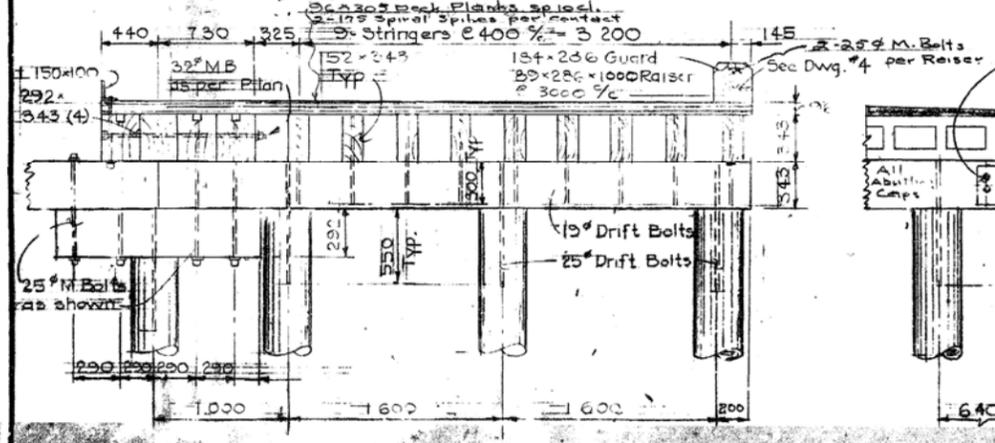
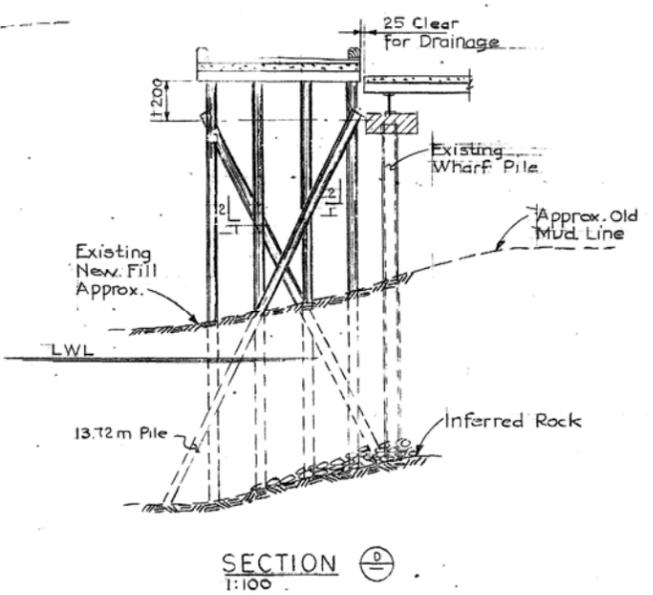
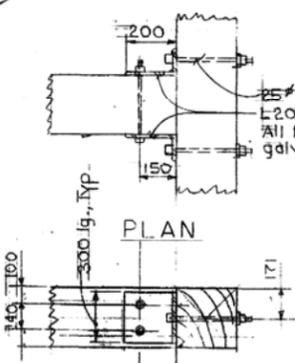
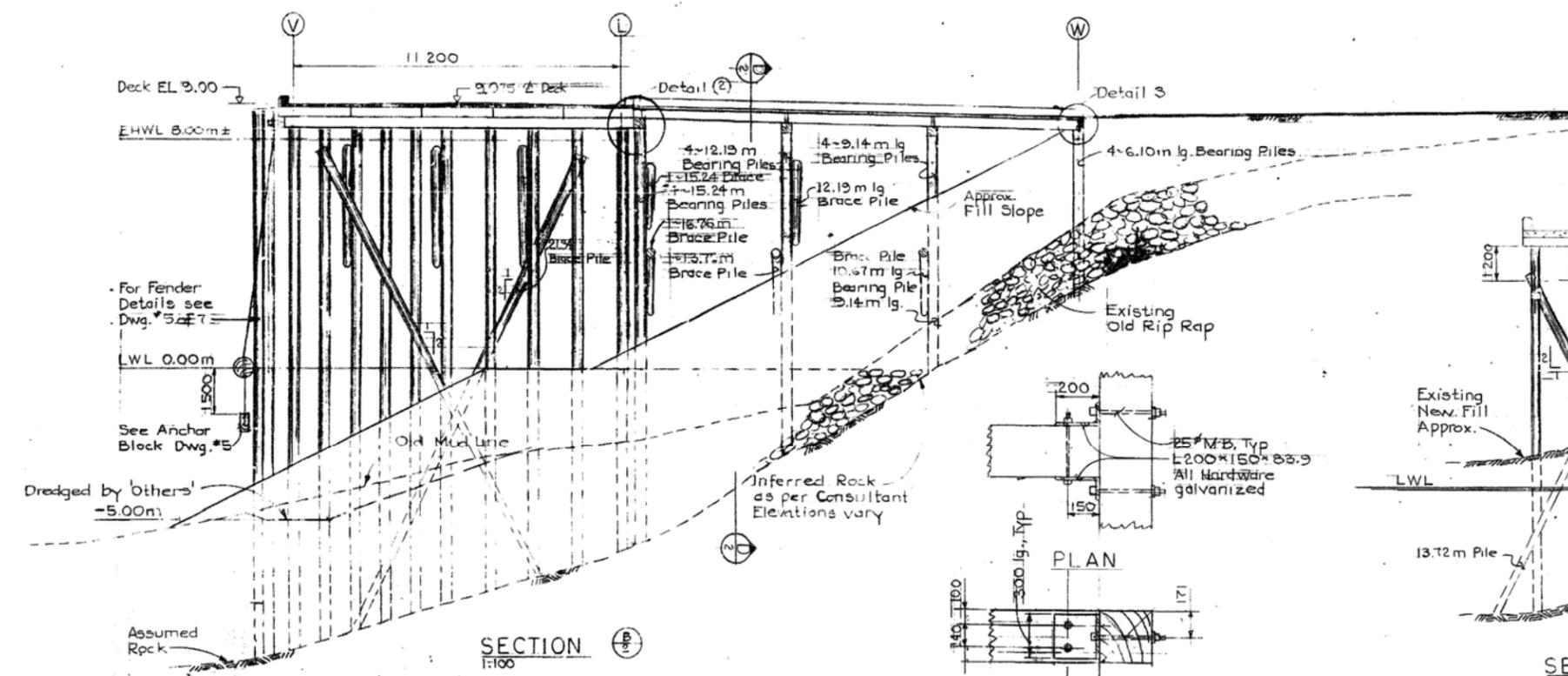
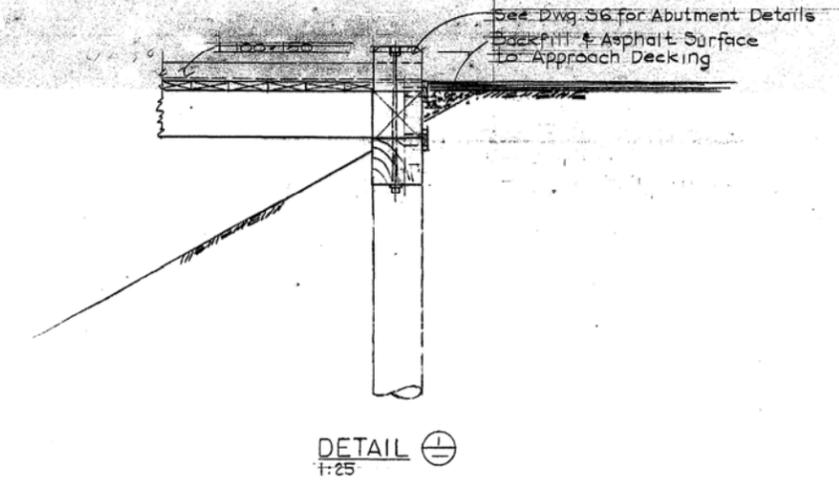
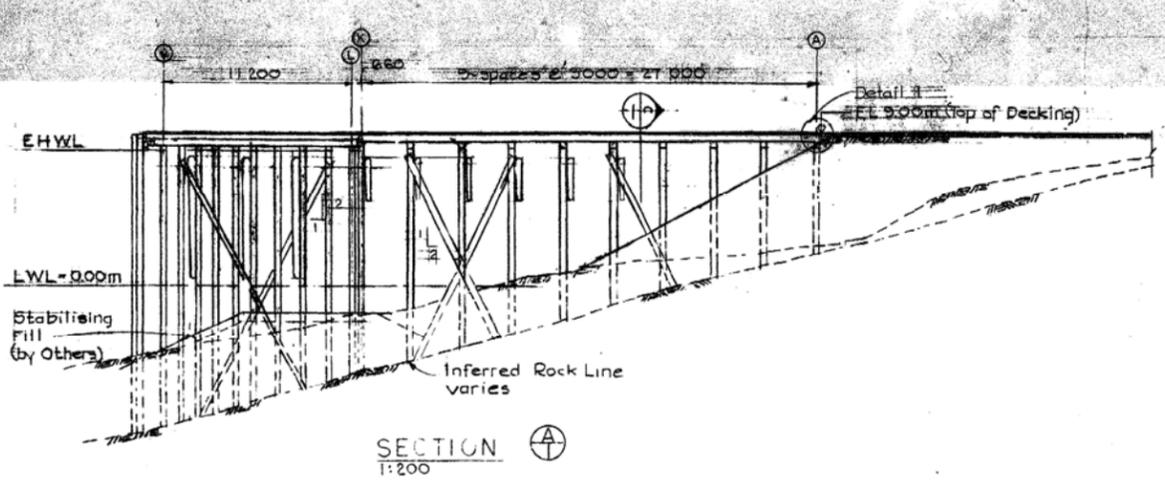
checked

approved

drawn

300591

S.3 of 7



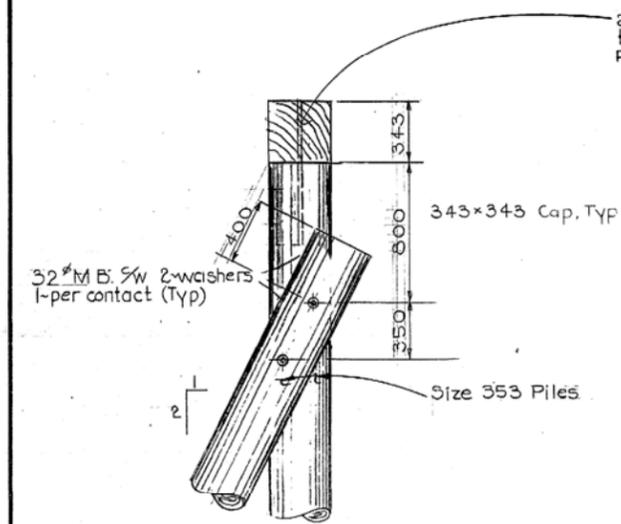
AS BUILT  
\*Except as shown

revisions	date
A	A detail no. no. du détail
B	B location drawing no. sur dessin no.
C	C drawing no. dessin no.

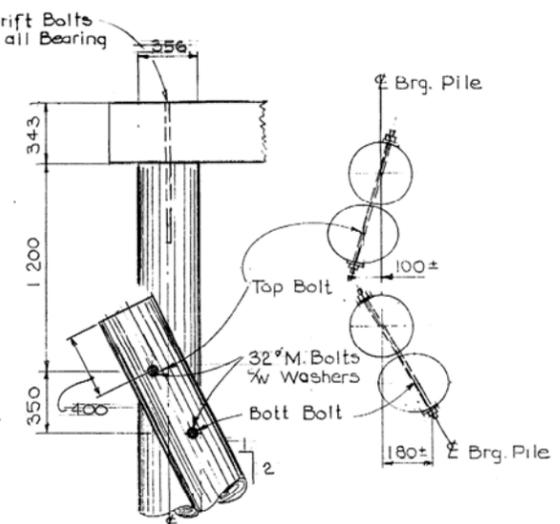
project  
PORT EDWARD, B.C.  
HARBOUR  
IMPROVEMENTS - #7  
WHARF CONSTRUCTION

VARIOUS CONCRETE  
AND CONNECTING  
DETAILS

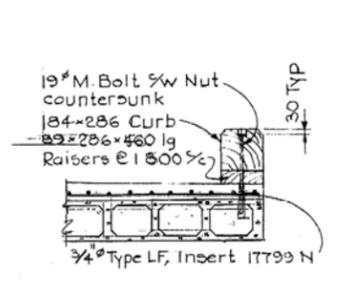
designed	drawn	date	date	approved	approved
	E. H. Mulliner	Oct. 1985			
revised	checked	date	date	approved	approved
Project Manager	Administrateur de projets	Project number	no. du projet		
800591					
Drawing no.	no. du dessin				
S4 of 7					



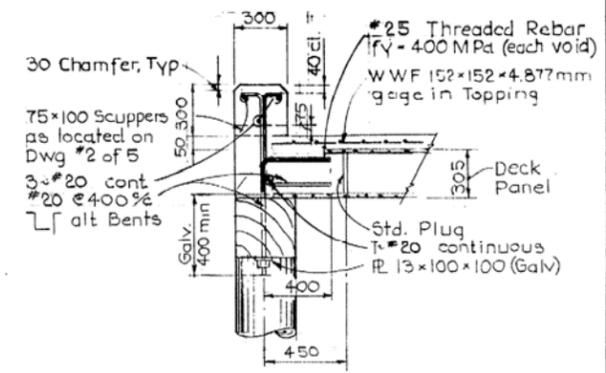
LONGITUDINAL BRACE PILE  
CONNECTION DETAIL  
1:20



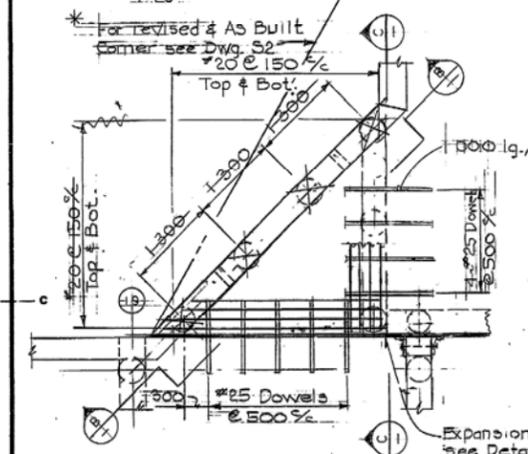
TRANSVERSE BRACE PILE  
CONNECTION DETAIL  
1:20



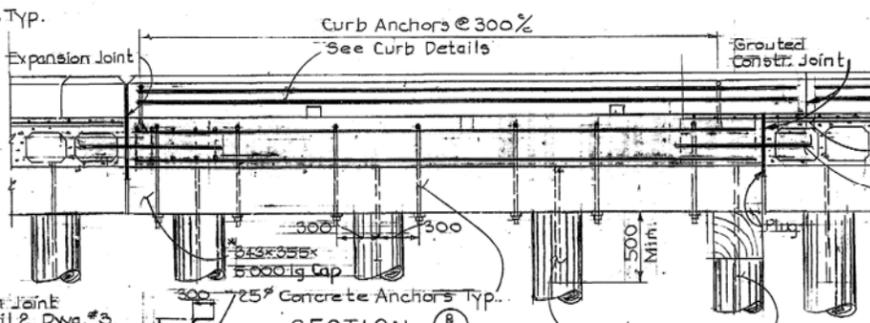
TIMBER CURB DETAIL  
1:25 - South Approach only



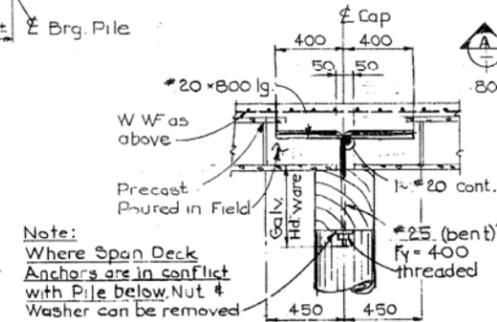
END CONNECTION & CURB DETAIL  
1:20



PLAN DETAIL  
1:50

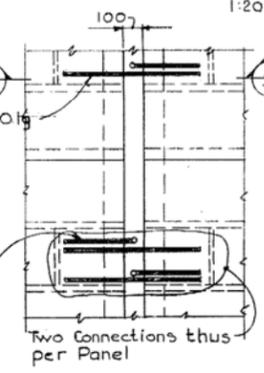


SECTION  
1:25

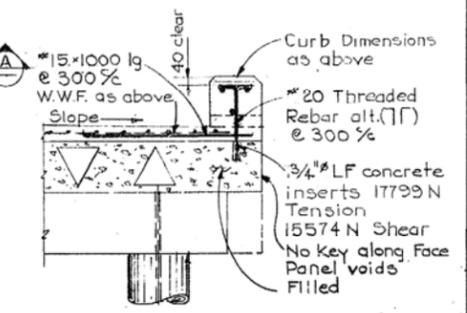


SECTION A-A  
1:20

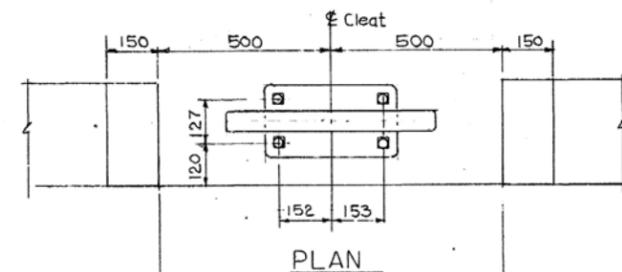
PANEL CONNECTION DETAILS  
1:20



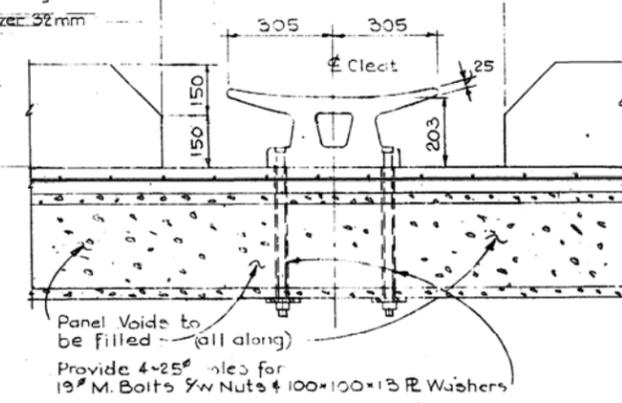
PLAN



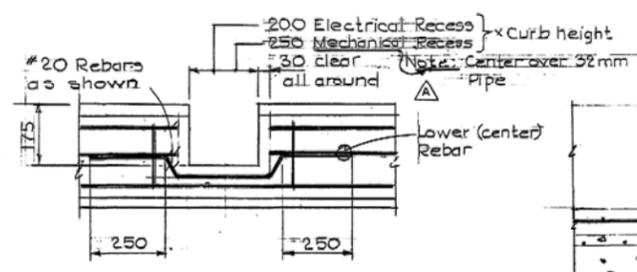
CURB DETAIL AT FACE  
OR BACK OF WHARF  
1:20



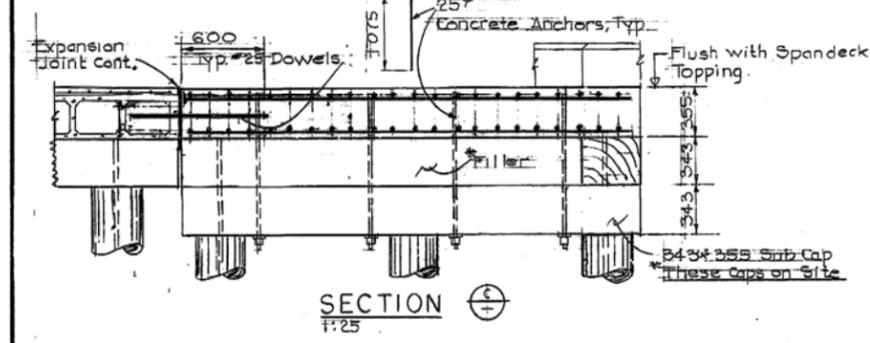
PLAN



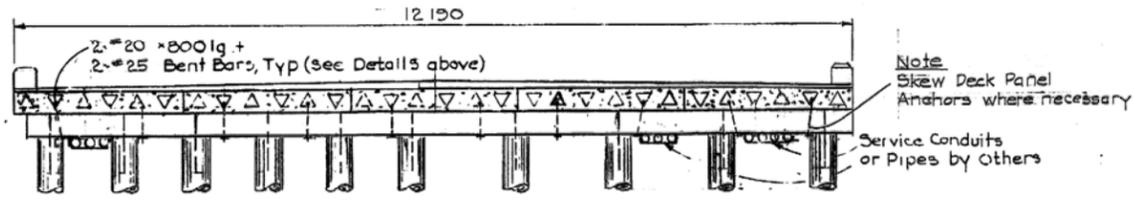
SECTION  
CLEAT DETAILS  
1:10



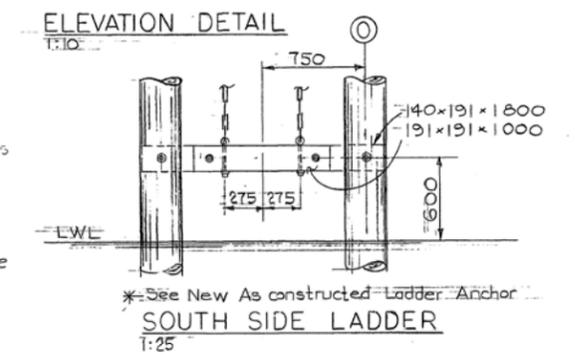
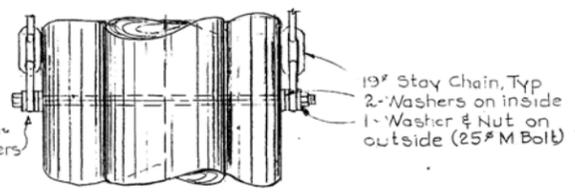
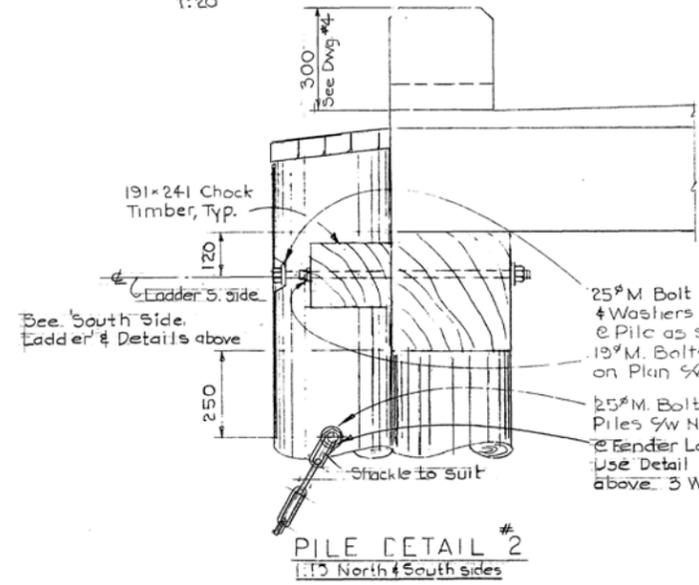
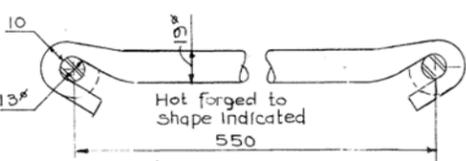
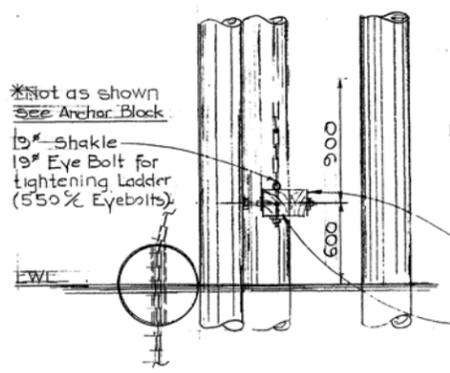
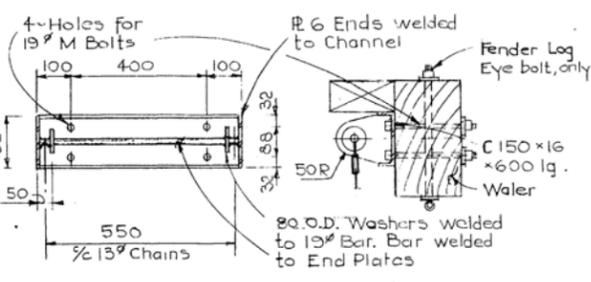
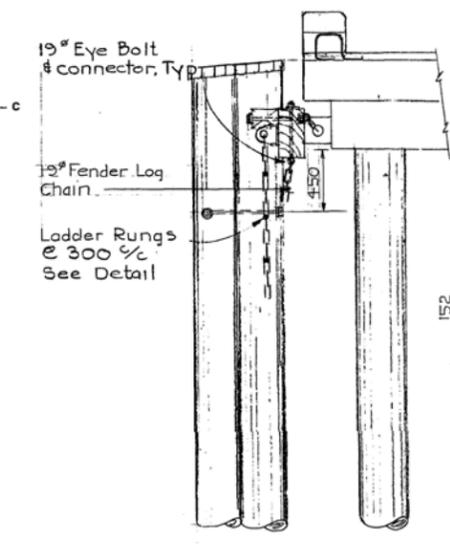
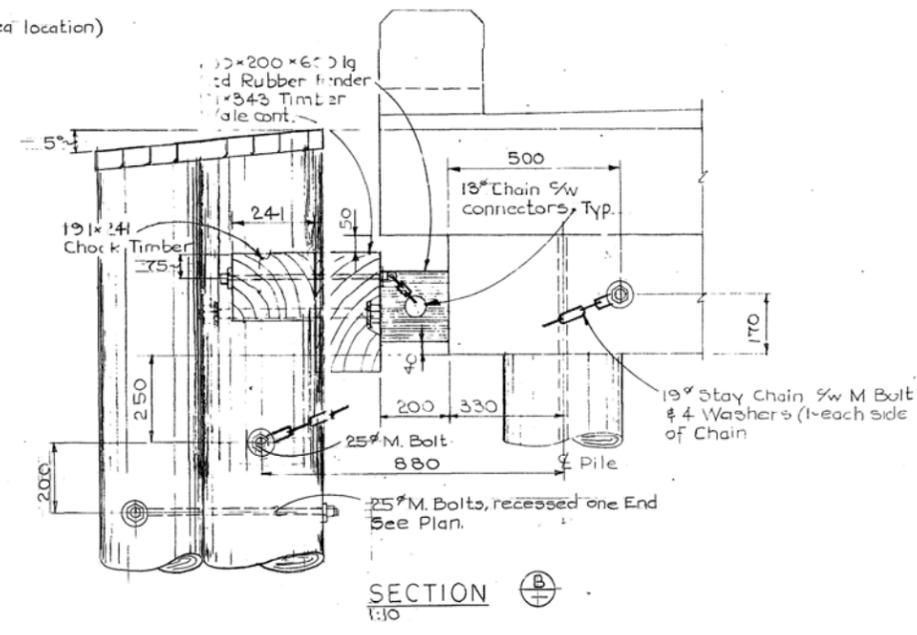
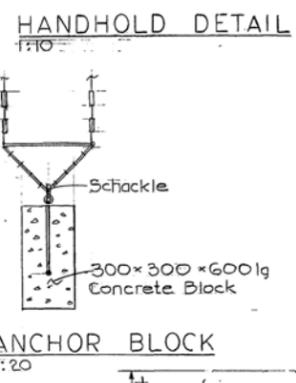
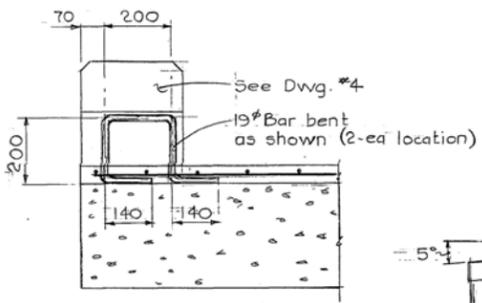
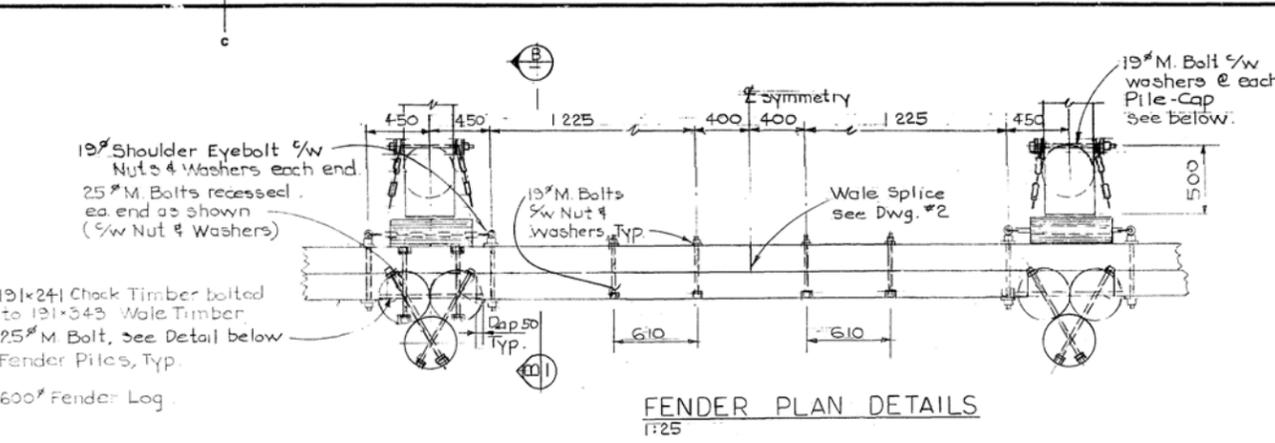
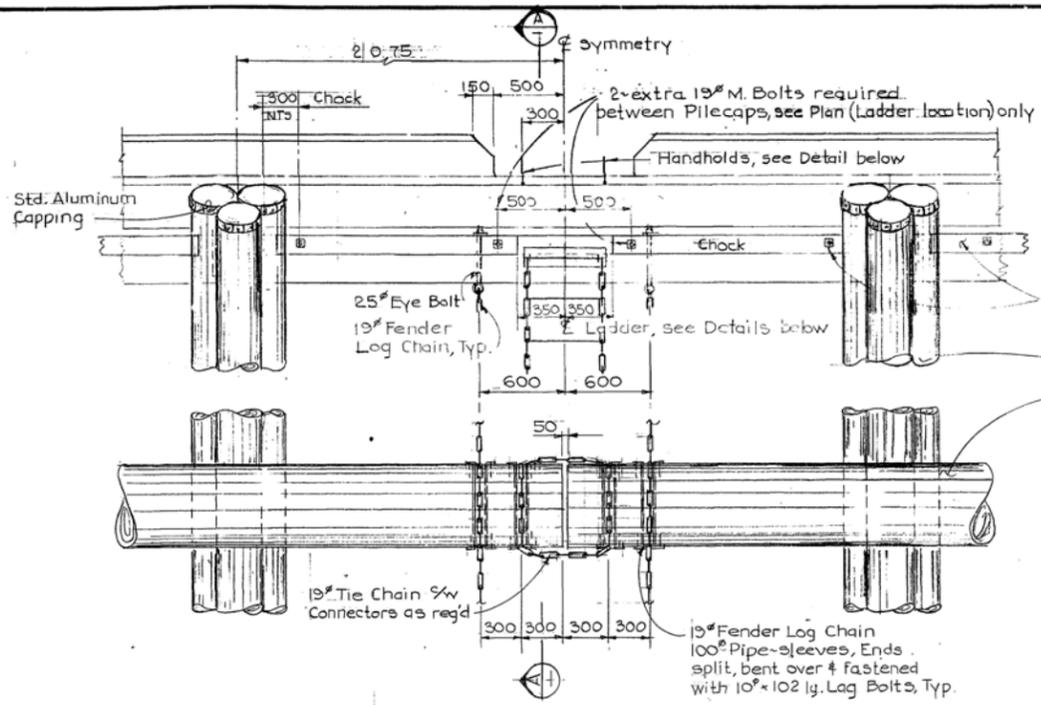
CURB PLAN OF  
ELECTRICAL RECESS (2)  
1:50 (Electrical)



SECTION  
1:25



TYPICAL PANEL TO  
CAP CONNECTIONS  
1:50

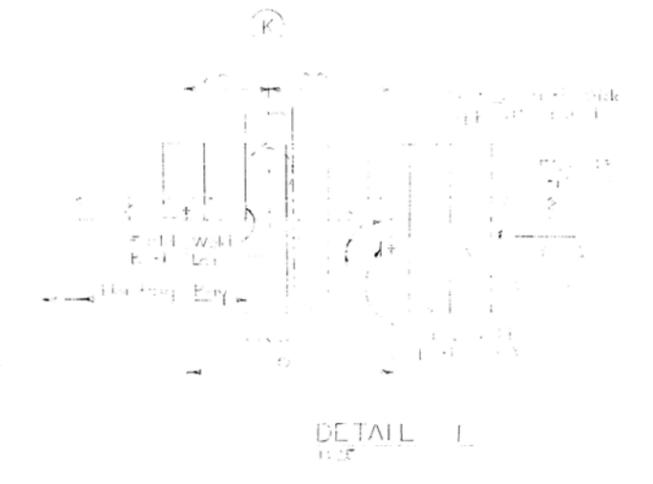
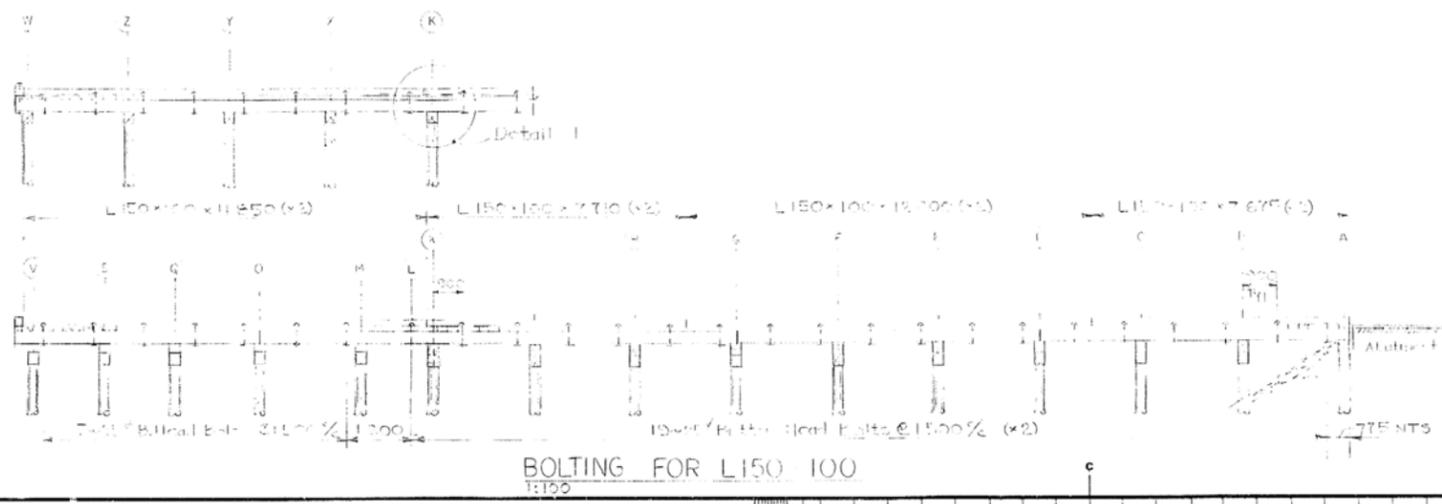
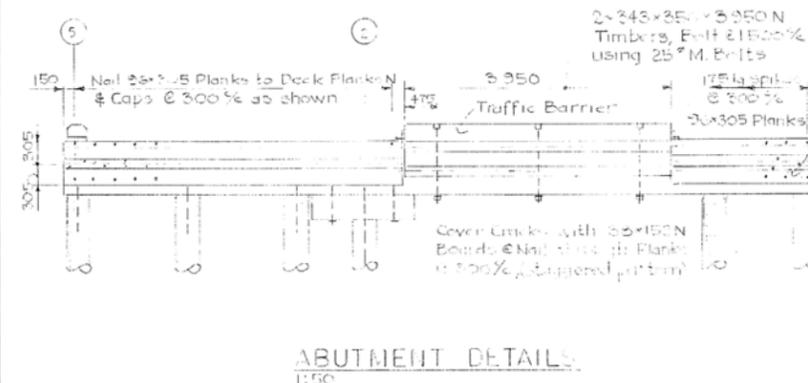
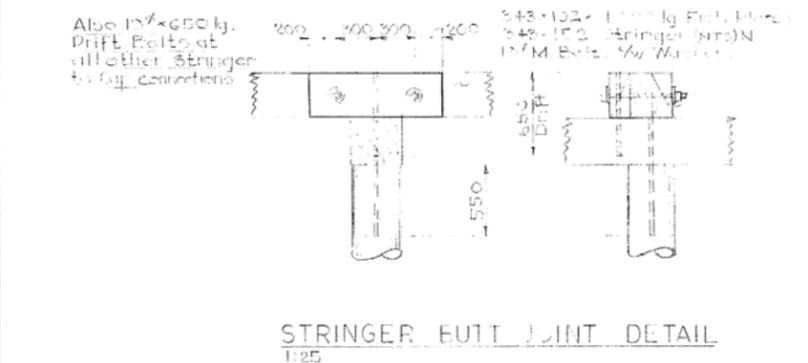
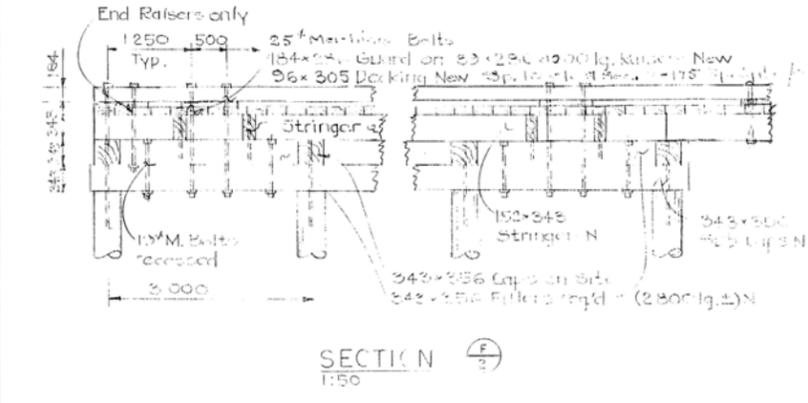
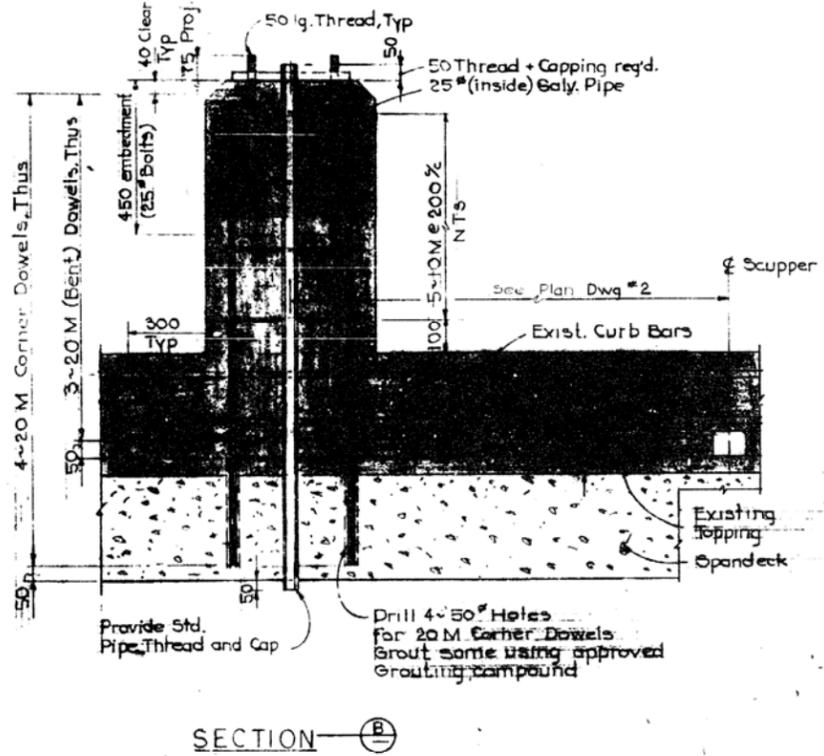
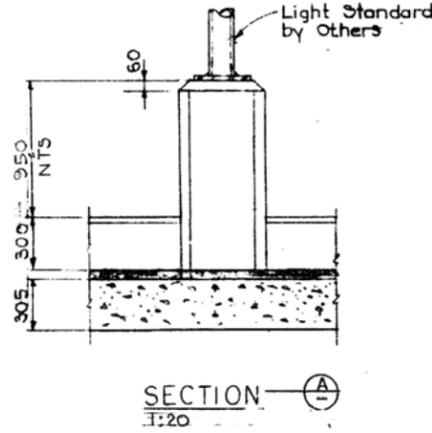
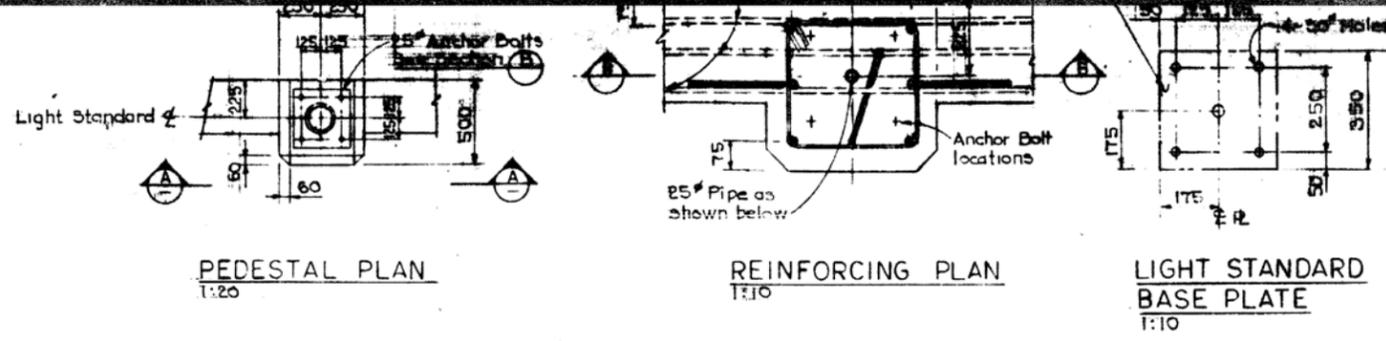


revisions	date
A	A
C	BC

project PORT EDWARD, B.C.  
HARBOUR  
IMPROVEMENTS - #7  
WHARF CONSTRUCTION

FENDER AND  
LADDER DETAILS

drawn	dessine
date	25.10.31
drawn	E. H. Mollner
date	OCT 1985
approved	approved
date	25.11.85
Tender	Submission
P.W.C. Project Manager	Administrateur de projets IPC
project number	no du projet
800591	



Public Works Travaux publics Canada Canada	
Pacific Region	
Fisheries and Oceans Canada	
AS BUILT	
revisions	date
A detail no. no. du détail	A
B location drawing no. sur dessin no.	B C
C drawing no. dessin no.	
project	project
PORT EDWARD, B.C. HARBOUR IMPROVEMENTS - "7" WHARF CONSTRUCTION	
drawing	dessin
LIGHT PEDESTAL & OTHER DETAILS	
designer	conçu
date	
drawn	dessiné
date	
reviewed	examiné
date	
approved	approuvé
date	
Tender	Substitution
PWC Project Manager	Administrateur de projets (P.C.)
project number	no. du projet
800591	
drawing no.	no. du dessin
S6 of 7	

revisions	date
-----------	------

A detail no. no. du détail	A
B location drawing no. sur dessin no.	B
C drawing no. dessin no.	C

project / projet  
**PORT EDWARD, B.C. HARBOUR IMPROVEMENTS - 7 WHARF CONSTRUCTION**

drawing / dessin  
**TRAVELIFT SUPPORT STRUCTURE CONSTRUCTION DETAILS**

designed / conçu  
 E.H.M.

drawn / dessiné  
 E.H.Mollner

date / date  
 Oct. - 35

reviewed / examiné

approved / approuvé

Tender / Soumission

PWC Project Manager / Administrateur de projets TPC

project number / no. du projet  
**800591**

drawing no. / no. du dessin

**S7 of 7**

