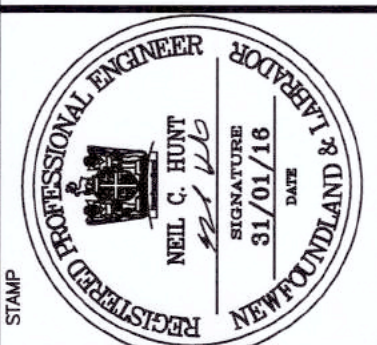


SMALL CRAFT HARBOURS



NOTES:
 1. ALL ELEVATIONS ARE IN METRES UNLESS OTHERWISE NOTED.
 2. ALL DIMENSIONS ARE IN MILLIMETRES UNLESS OTHERWISE NOTED.

PROVINCE OF NEWFOUNDLAND
 PERMIT HOLDER
 This Permit Allows
 APR ENGINEERING INC.
 To practice Professional Engineering in Newfoundland and Labrador. Permit No. as issued by APPROX. 70882.
 Made in valid for the year 2016.

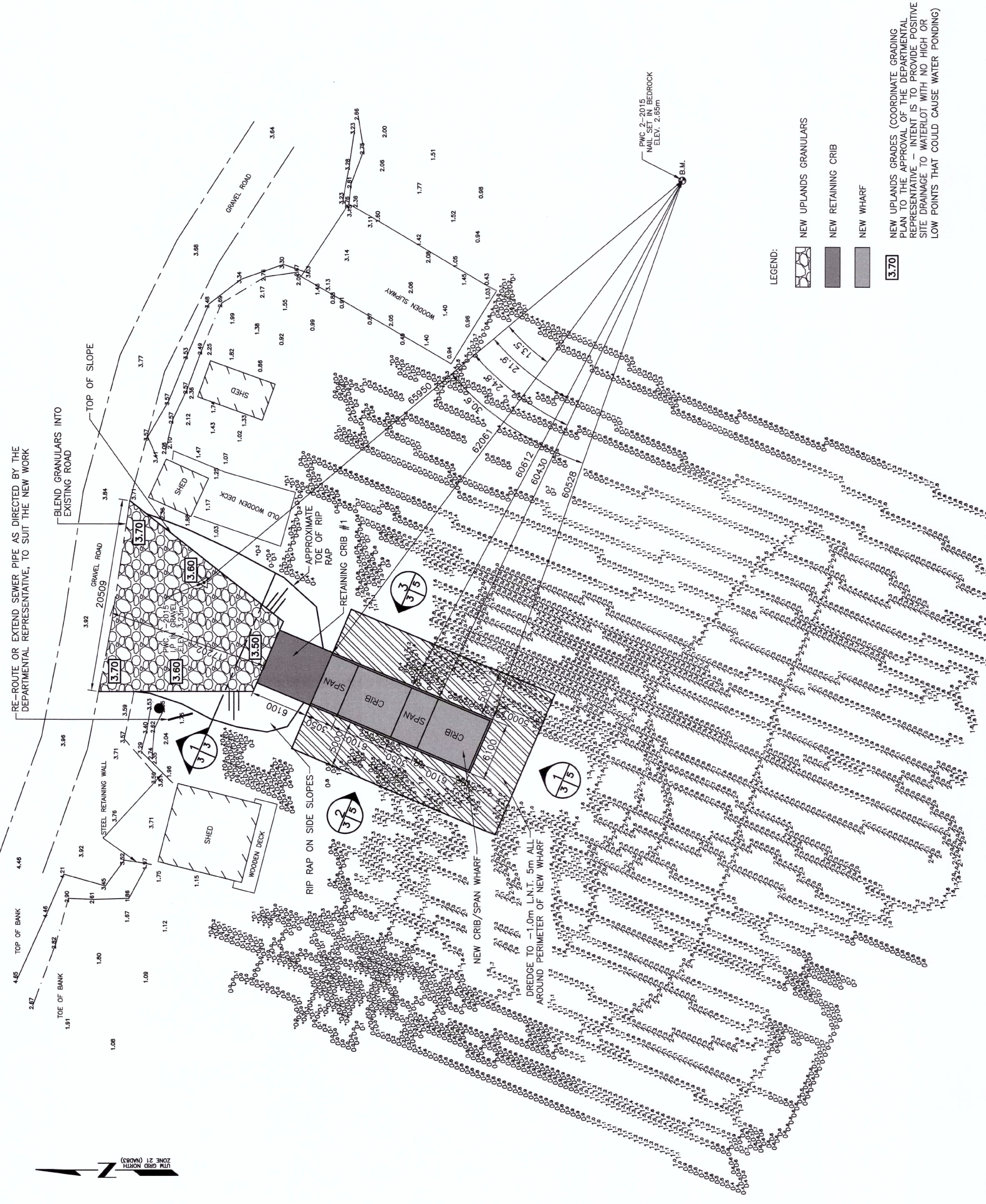


B	ISSUED FOR TENDER	31/03/18
A	ISSUED FOR REVIEW	20/12/15
revisions	date	

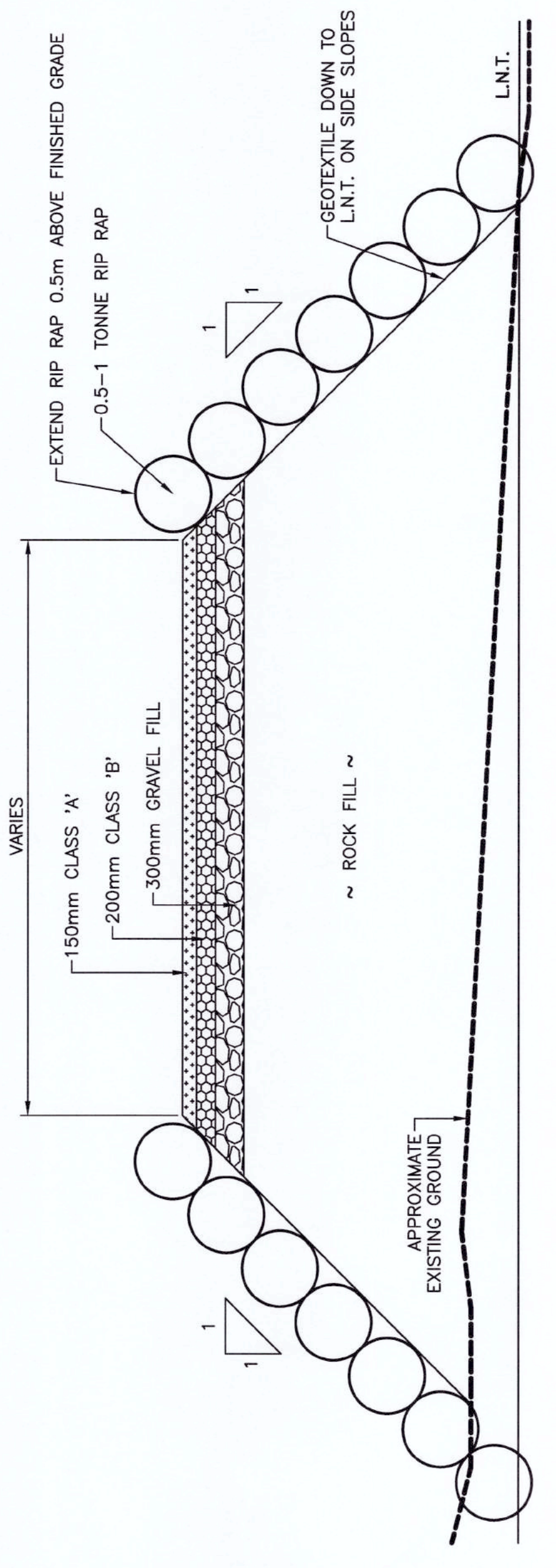
project
HARBOUR DIVESTITURE
MORTIER, NL

drawing
NEW SITE PLAN

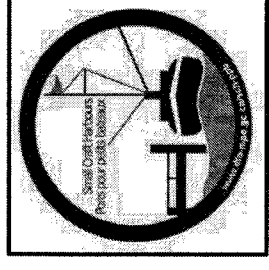
designed N.H.	concord
date JANUARY 31, 2016	
drawn P.H.	drawn
date JANUARY 31, 2016	
approved	approved
Tender Paul R. ...	Submission
DFC Project Manager	
project number 721640	no. du projet
drawing no. C3	no. du dessin



LEGEND:
 NEW UPLANDS GRANULARS
 NEW RETAINING CRIB
 NEW WHARF
 3.70
 NEW UPLANDS GRADES (COORDINATE GRADING PLAN TO THE APPROVAL OF THE DEPARTMENTAL PERMITTING OFFICER) TO BE CONSTRUCTIVE SITE DRAINAGE TO WATERLOUT WITH NO HIGH OR LOW POINTS THAT COULD CAUSE WATER PONDING)

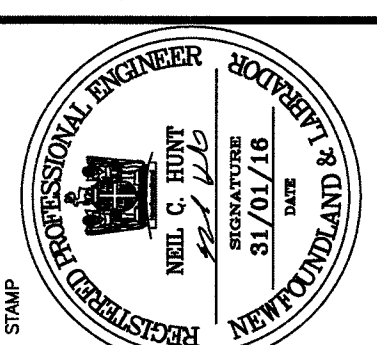


SECTION 1-1
 SCALE: 1:50
 0m 5m 10m 15m 20m 25m



NOTES:
1. ALL ELEVATIONS ARE IN METRES UNLESS OTHERWISE NOTED.
2. ALL DIMENSIONS ARE IN MILLIMETRES UNLESS OTHERWISE NOTED.

PROVINCE OF NEWFOUNDLAND
PERMIT HOLDER
This Permit Allows
ANY ENGINEERING INC.
To Practice Professional Engineering
in Newfoundland and Labrador.
Permit No. as issued by APEP, 2016.
Valid in force for the year 2016-2017

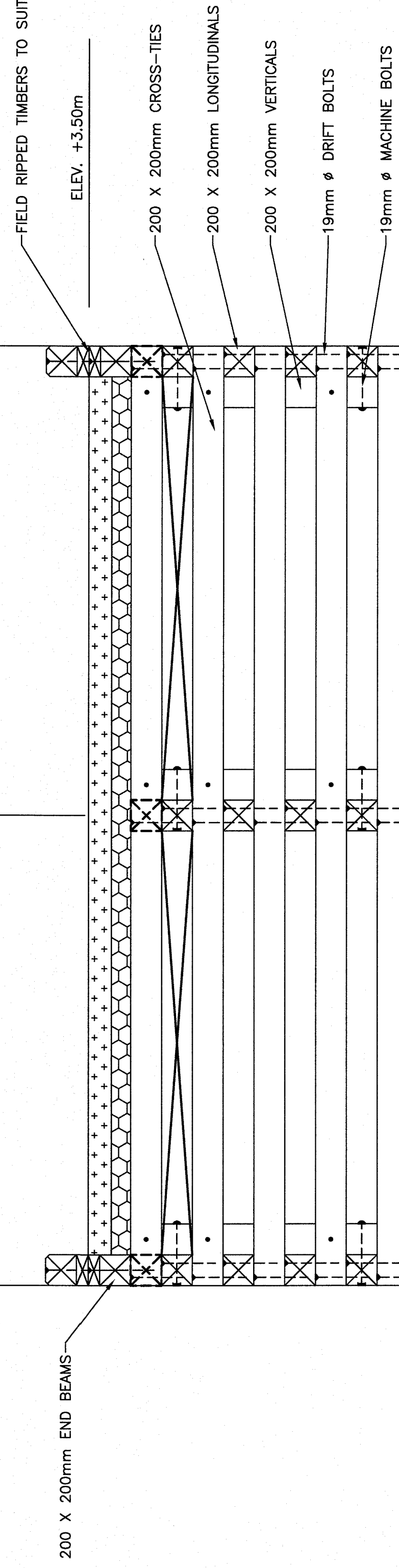


ISSUED FOR TENDER	31/07/16
ISSUED FOR REVIEW	20/12/15
revisions	date
project	date

HARBOUR DIVESTITURE
MORTIER, NL

SECTIONS

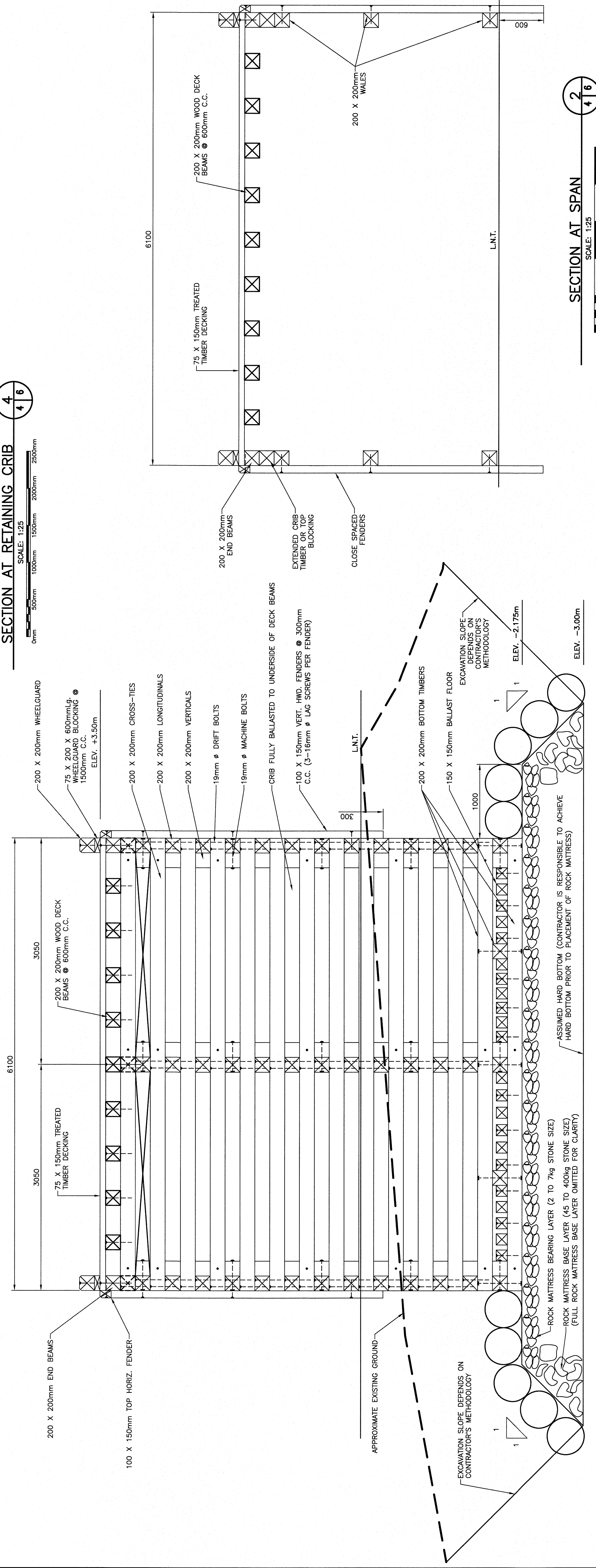
designated N.H.	status
date	JANUARY 31, 2016
drawn	P.H.
date	JANUARY 31, 2016
approved	approval
Tender	Submission
project number	721640
drawing no.	C6



DETAIL AT SPAN (EACH SIDE) 1
SCALE: N.T.S. 1/6

THE CONTRACTOR SHALL BE RESPONSIBLE TO PLACE ROCK MATRESS/CRIBWORK ON HARD BOTTOM. THE CONTRACTOR SHALL DEMONSTRATE THROUGH THE USE OF EXCAVATION/DREDGING EQUIPMENT OR OTHER MEANS, THAT SUFFICIENT MATERIAL HAS BEEN REMOVED TO ENSURE ROCK MATRESS/CRIBWORK WILL COME TO REST ON HARD BOTTOM. THE CONTRACTOR SHALL DEMONSTRATE THAT THE MATRESS/CRIBWORK HAS BEEN ACHIEVED THROUGH EXCAVATION/DREDGING EQUIPMENT. THE CONTRACTOR SHALL THOROUGHLY PROBE THE AREA IN A MINIMUM 1.0m X 1.0m GRID TO CONFIRM THAT ALL LOOSE AND SOFT UNSOUND SOILS HAVE BEEN REMOVED TO HARD BOTTOM. ALL PROBING ACTIVITIES TO BE COMPLETED BY DIVERS USING A 15mm DIAMETER X 2000mm LENGTH PROBING ROD. THE CONTRACTOR SHALL DEMONSTRATE TO THE DEPARTMENTAL REPRESENTATIVE THAT HARD BOTTOM IS ACHIEVED WHEN THE PROBING ROD PENETRATES MORE THAN 400mm INTO THE UNDERLYING SOILS, WITHIN THE FOOTPRINT OF THE AREA TO RECEIVE ROCK MATRESS/CRIBWORK. ALL WORK TO BE OVERSEEN BY THE ON-SITE INSPECTOR. IF THE PROBING PENETRATIONS EXCEED 400mm, THEN THE CONTRACTOR SHALL DEMONSTRATE TO THE DEPARTMENTAL REPRESENTATIVE THE DEPTH WHICH HARD BOTTOM IS REACHED AND BE PROBE TO ACHIEVE THE REQUIREMENTS NOTED ABOVE. THE CONTRACTOR AND THE DEPARTMENTAL REPRESENTATIVE SHALL AGREE ON SITE AS TO WHEN THE DEPTHS REQUIRED TO REACH HARD BOTTOM ARE MET.

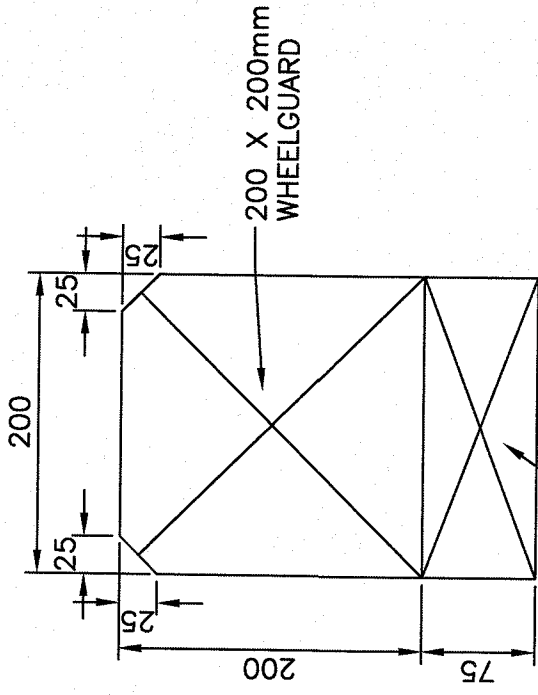
SECTION AT RETAINING CRIB 4
SCALE: 1:25 4/6



SECTION AT WHARF CRIB 3
SCALE: 1:25 3/6

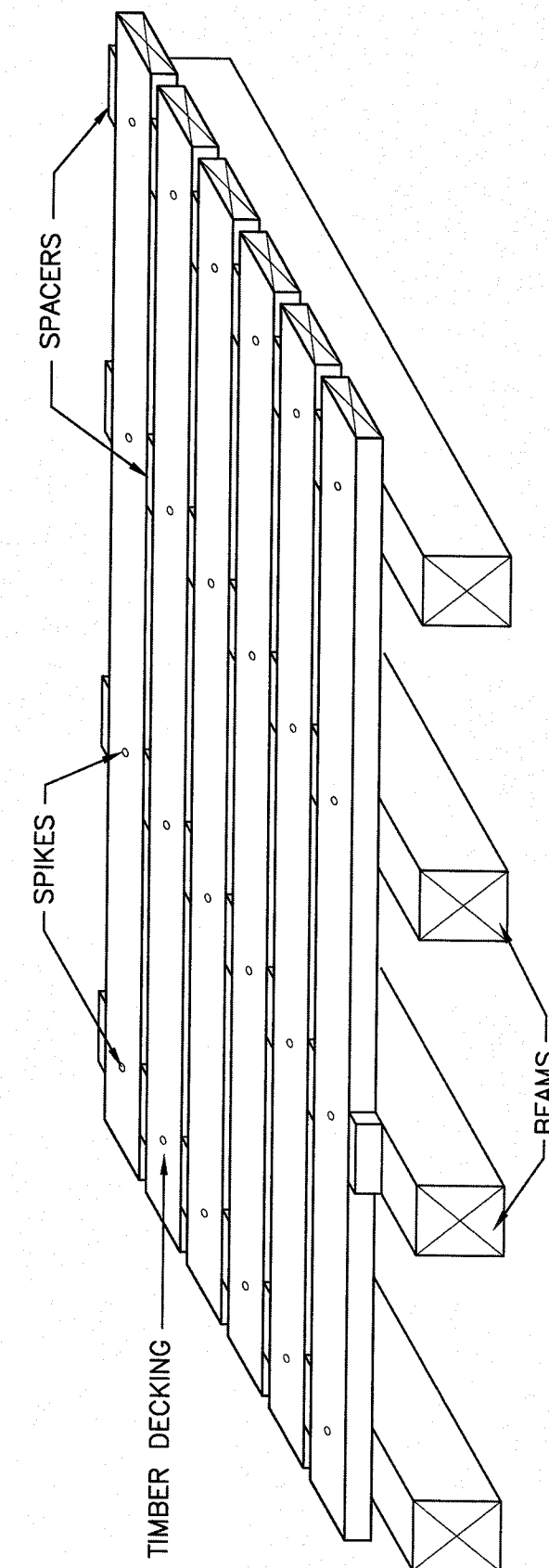
SECTION AT SPAN 2
SCALE: 1:25 2/6

NOTE:
1. FENCING OMITTED FOR CLARITY.

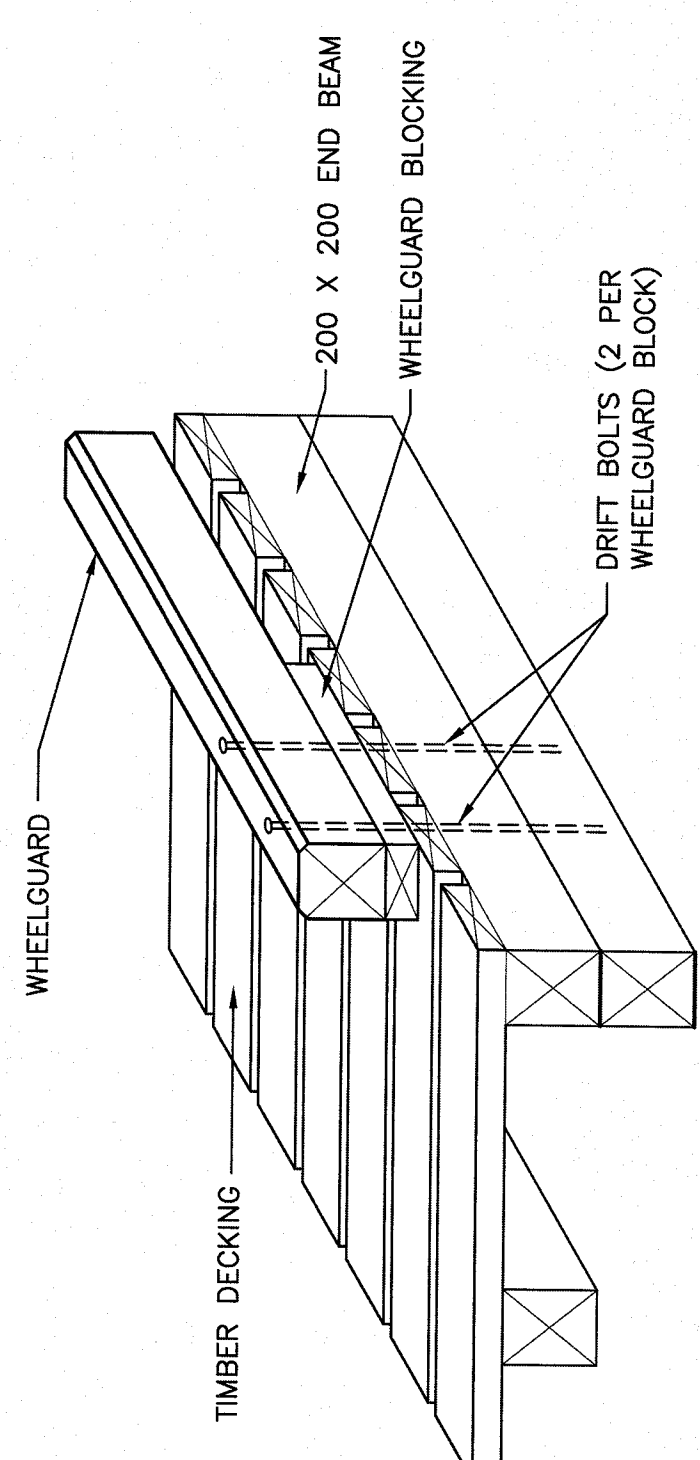


75 X 200 X 600mm Lg.
WHEELGUARD BLOCKING
Ø 1500mm C.C.

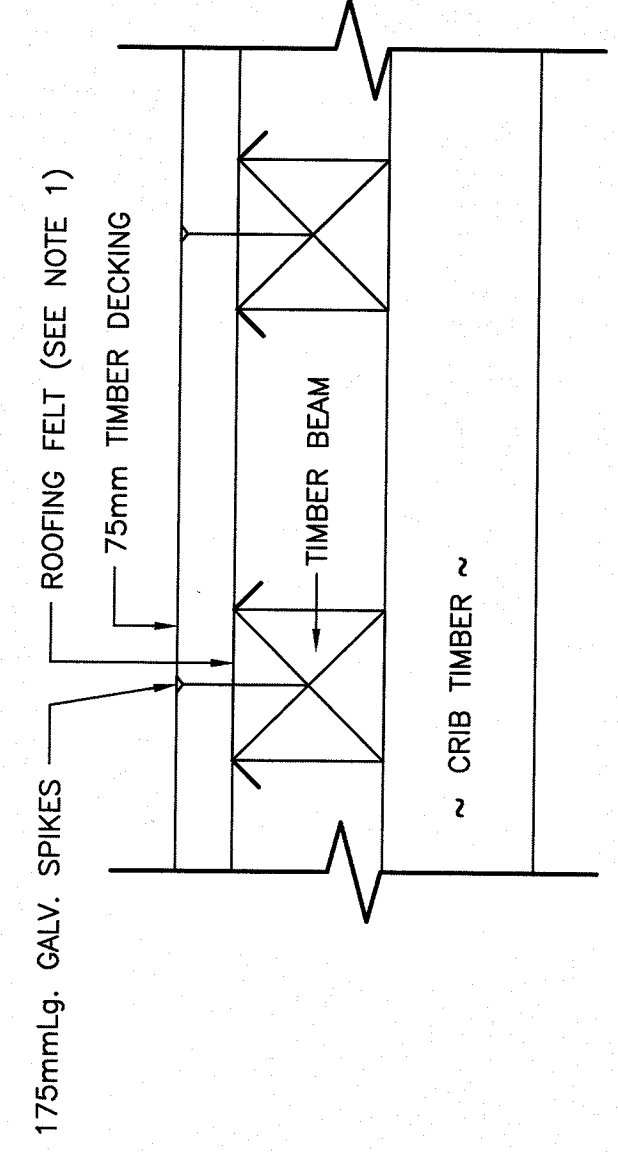
WHEELGUARD DETAIL
SCALE: 1:5
0mm 100mm 200mm 300mm 400mm 500mm



TIMBER DECK NAILING DETAIL
SCALE: 1:20
0mm 500mm 1000mm 1500mm 2000mm 2500mm



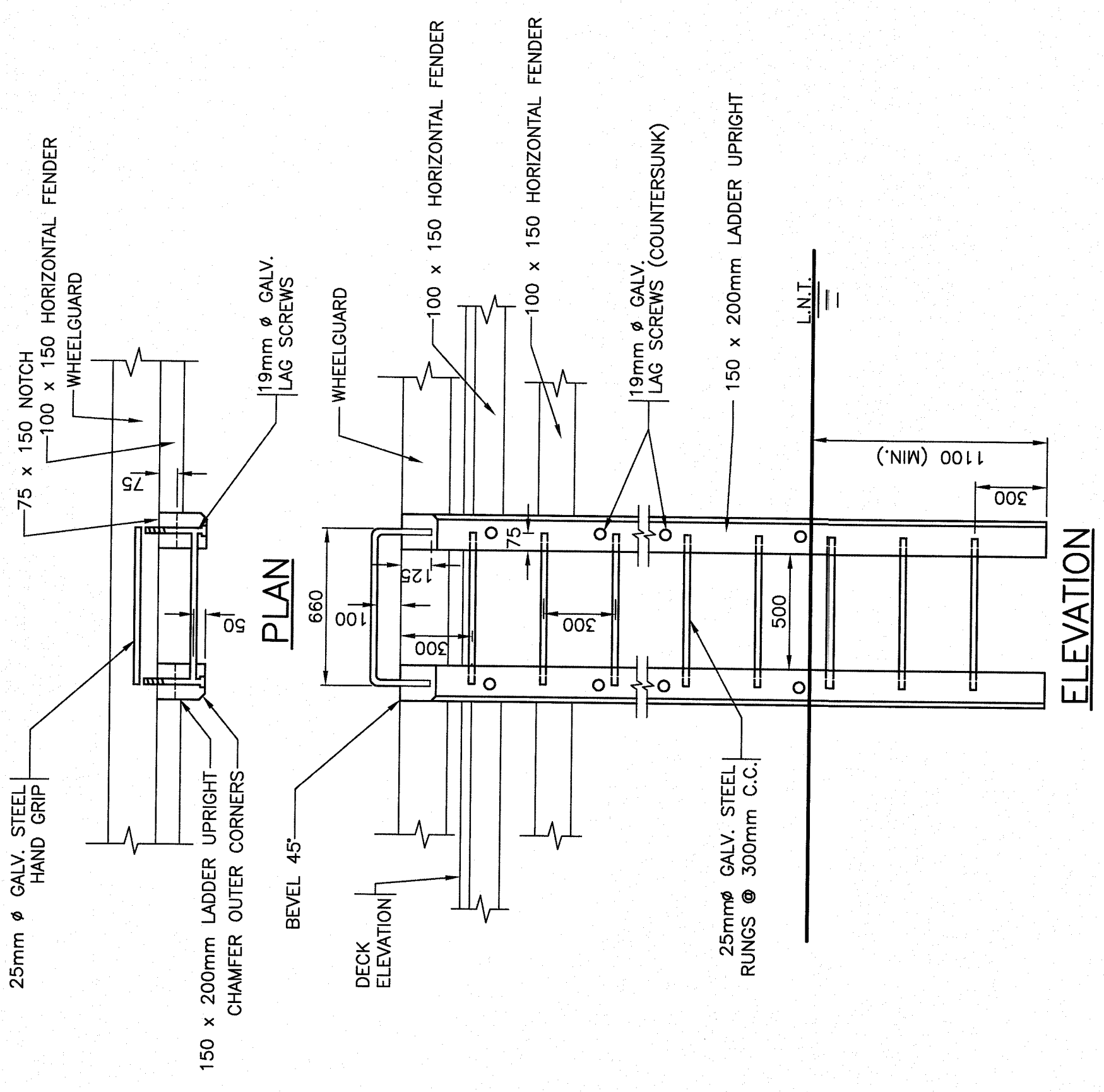
WHEELGUARD ON TIMBER DECK
SCALE: 1:20
0mm 500mm 1000mm 1500mm 2000mm 2500mm



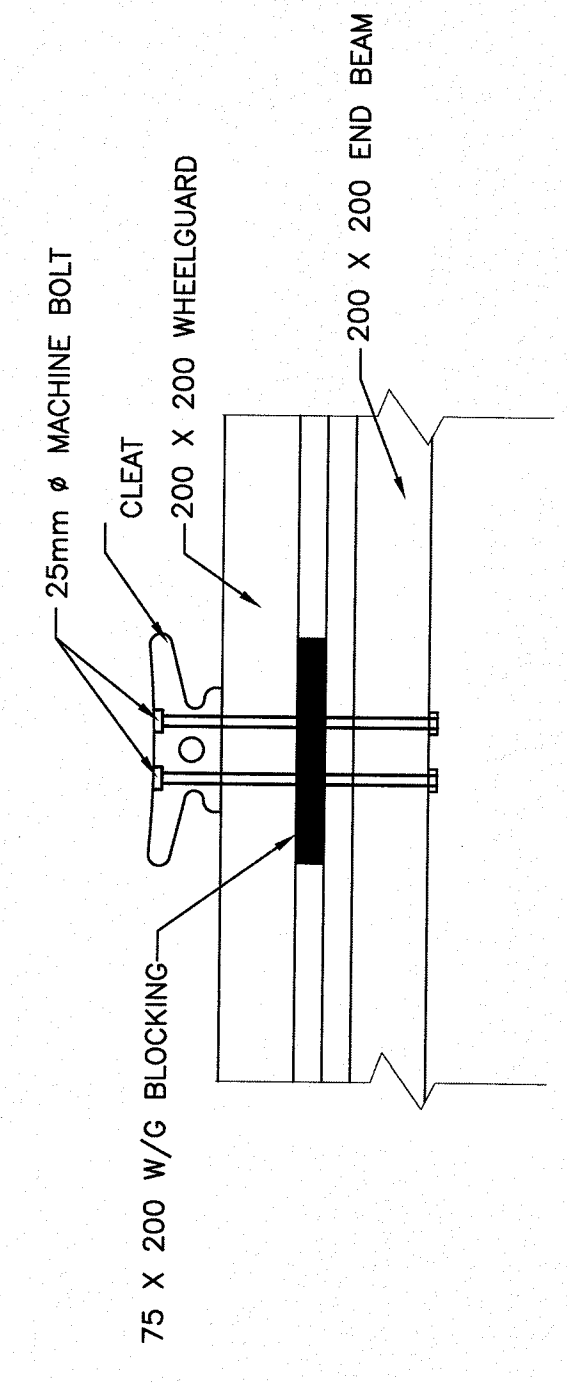
NOTE:
1. ROOFING FELT TO BE PLACED ALONG TOP OF BEAMS. FULL LENGTH, FOR WIDTH OF BEAMS. FELT TO BE SECURED TO THE TOP OF TIMBER WITH ROOFING CEMENT FOR FULL LENGTH.

DECK DETAIL
SCALE: 1:10
0mm 100 200 300 400 500 600 700 800 900 1000mm

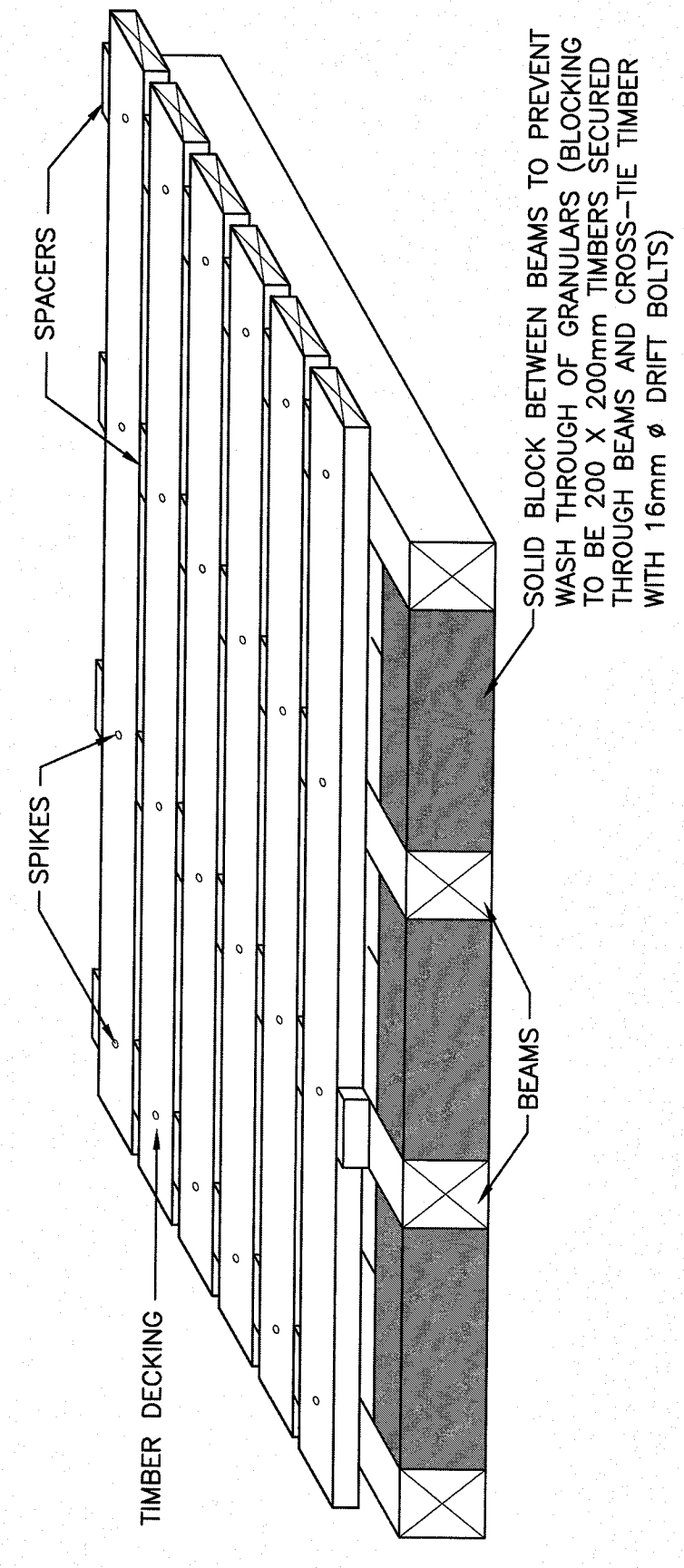
NOTE:
1. DECKING TO BE IN ONE COMPLETE LENGTH FOR ENTIRE WIDTH OF CRIB. ONE (1) SINGLE NAIL IN CENTER BEAMS, TWO (2) DOUBLE NAILS AT EXTERIOR BEAMS.



LADDER DETAIL
SCALE: 1:20
0mm 500mm 1000mm 1500mm 2000mm 2500mm



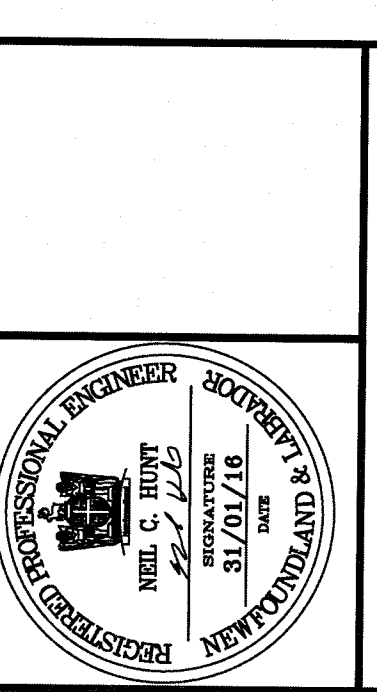
TYPE "B1" CLEAT ATTACHED TO WHEELGUARD
SCALE: 1:20
0mm 500mm 1000mm 1500mm 2000mm 2500mm



BLOCKING DETAIL
SCALE: 1:20
0mm 500mm 1000mm 1500mm 2000mm 2500mm

NOTES:
1. ALL ELEVATIONS ARE IN METRES UNLESS OTHERWISE NOTED.
2. ALL DIMENSIONS ARE IN MILLIMETRES UNLESS OTHERWISE NOTED.

PROVINCE OF NEWFOUNDLAND
PERMIT HOLDER
This Permit Allows
ANY ENGINEERING INC.
To Provide Professional Engineering
in Newfoundland and Labrador.
Permit No. as issued by AEGIS, 2018E.
Valid to 31/01/18 for the year -2018



ISSUED FOR TENDER	31/01/18
ISSUED FOR REVIEW	20/12/15
revisions	date
project	project

HARBOUR DIVESTITURE
MORTIER, NL

DETAILS

designed N.H.
date JANUARY 31, 2016
drawn P.H.
date JANUARY 31, 2016
approved
Tender: [Signature]
DFO Project Manager
project number 721640
drawing no. C7