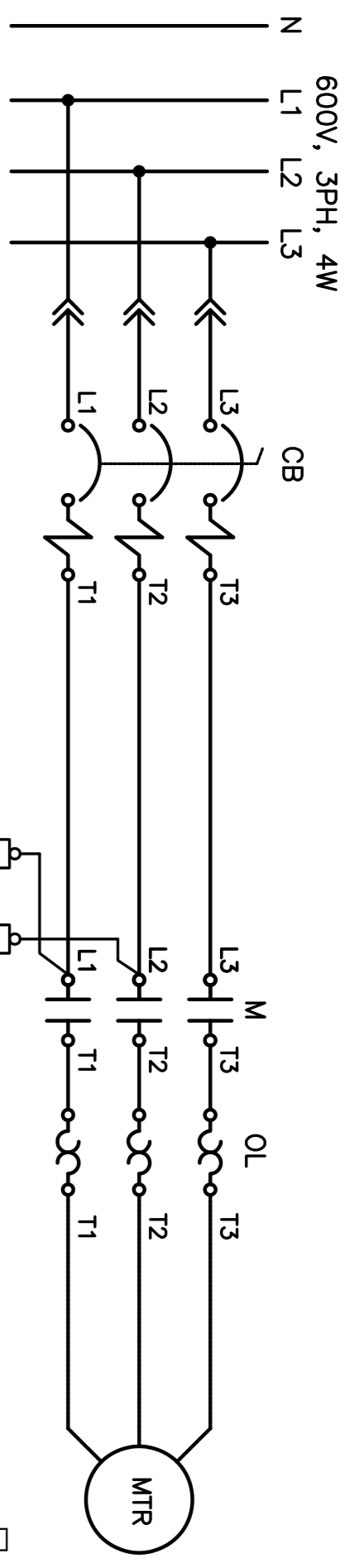


# Addendum/Addenda

No./N° 2
-------------

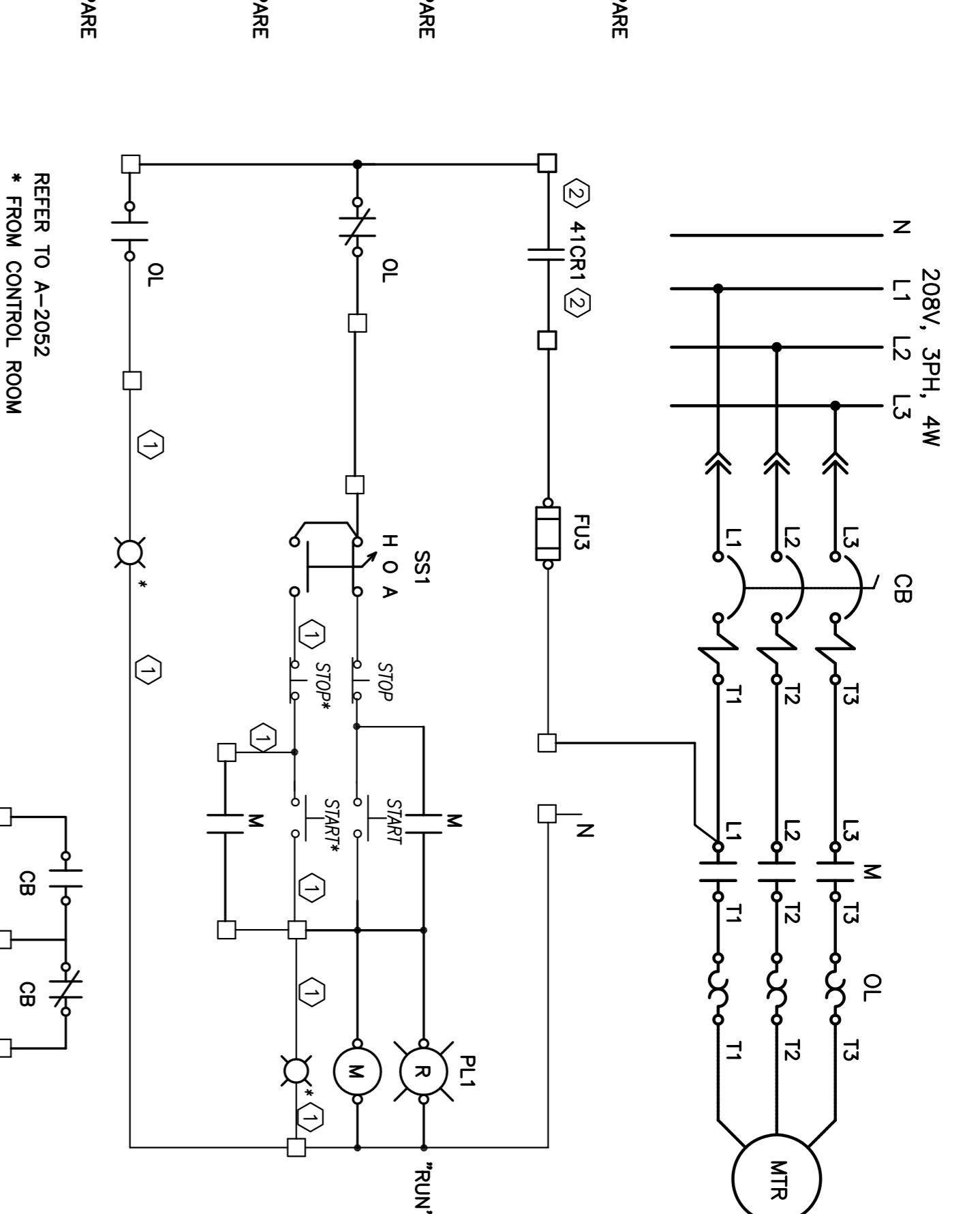
Project Description / Description de projet  U66 room 003 electrical upgrade		
Solicitation No./ N° de sollicitation  16-22101	Project No./N° de projet  5280	W.O. No./N° d'ordre de travail  A1-006434-01
Departmental Representative / Représentant Ministériel  Maurice Richard	Date  Nov 9, 2016	
<b>Notice:</b> This addendum shall form part of the tender documents and all conditions shall apply and be read in conjunction with the original plans and specifications.		<b>Nota:</b> Cet addenda fait partie intégrale des dossiers d'appel d'offres; toutes les conditions énoncées doivent être lues et appliquées en conjonction avec les plans et les devis originaux.

1. Re-issue drawing 5280-E05, 5280-E06, 5280-E07,5280-E08,5280-E09,5280-E10
2. Contractor performing preparation work during weekday is required to provide at least 48 hours notice to schedule and work around live machine if necessary.
3. Drawing 5280-E02, note for T-1117 is revised to be note 9.



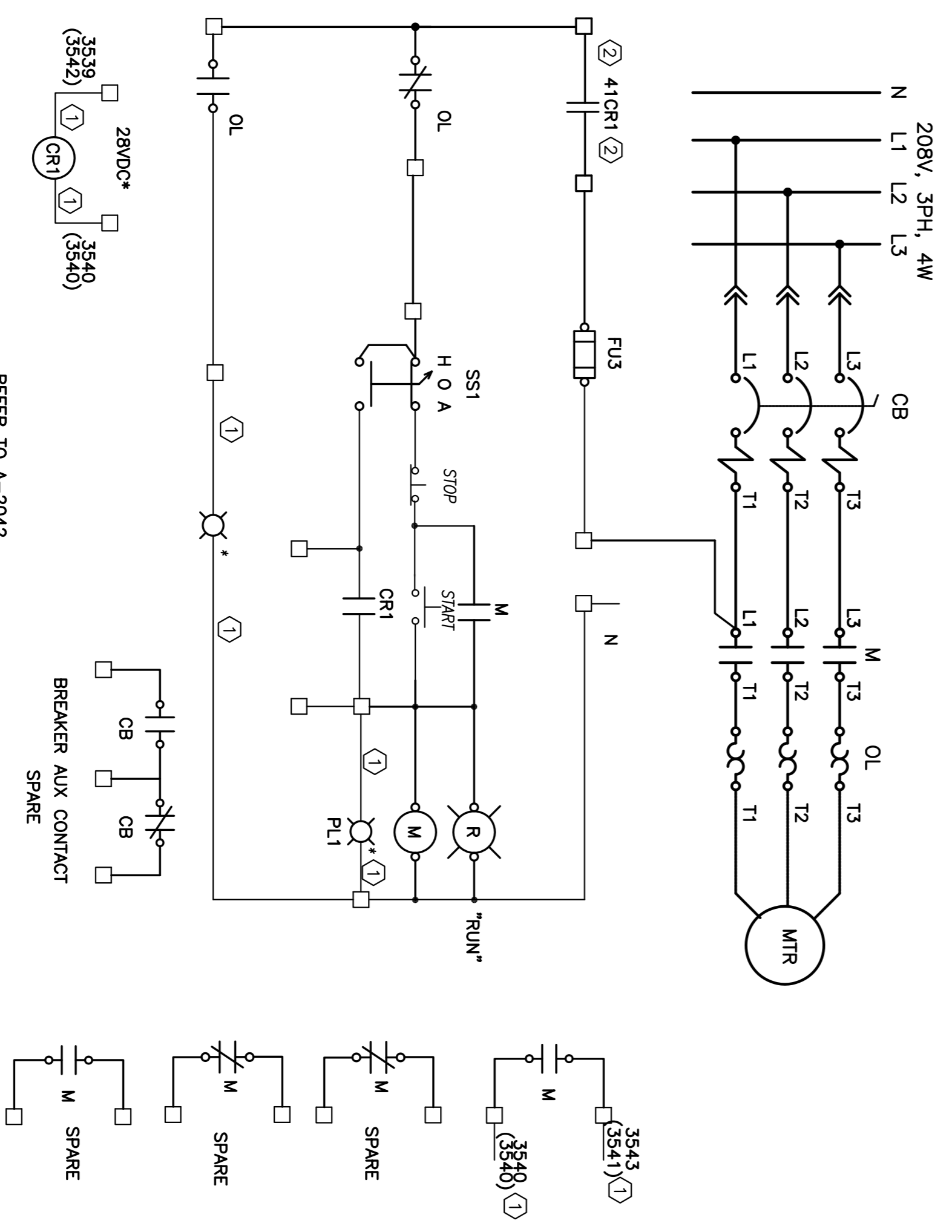
\* APPLY JUMPER IF F/A SHUTDOWN IS NOT INDICATED IN SINGLE LINE  
 □ TERMINAL FOR EXTERNAL CONNECTION

1 TYPICAL MCC #2 CONTROL CIRCUIT  
 SCALE: E05



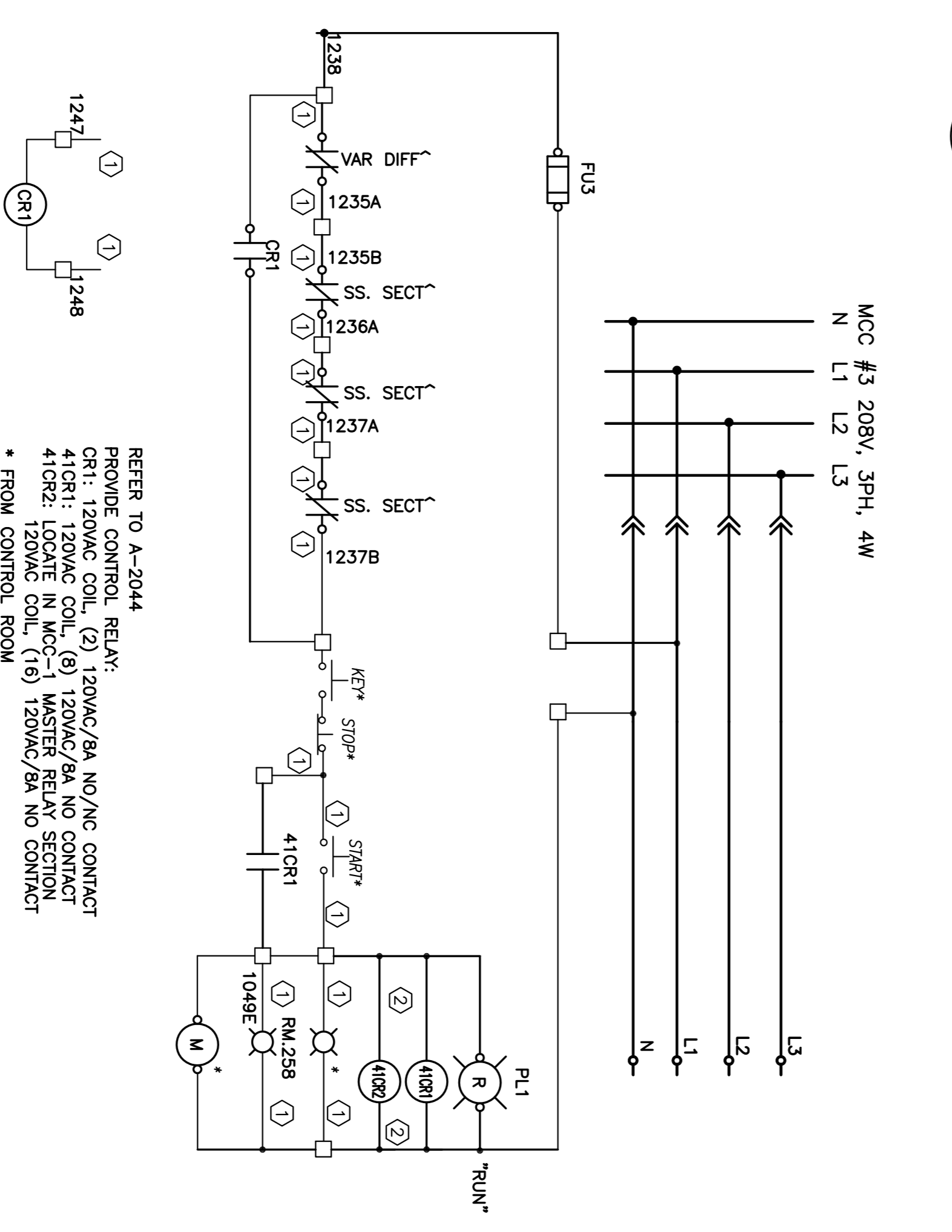
REFER TO A-2052  
 \* FROM CONTROL ROOM  
 □ TERMINAL FOR EXTERNAL CONNECTION

3 MCC #3 42M CONTROL CIRCUIT  
 SCALE: E05



REFER TO A-2042  
 \* FROM CONTROL ROOM  
 PROVIDE CONTROL RELAY:  
 CR1: 28VDC COIL, (2) 120VAC/8A NO/NC CONTACT  
 □ TERMINAL FOR EXTERNAL CONNECTION

2 MCC #3 43M(44M) CONTROL CIRCUIT  
 SCALE: E05



REFER TO A-2044  
 PROVIDE CONTROL RELAY:  
 CR1: 120VAC COIL, (2) 120VAC/8A NO/NC CONTACT  
 41CR1: 120VAC COIL, (8) 120VAC/8A NO CONTACT  
 41CR2: LOCATE IN MCC-1 MASTER RELAY SECTION  
 120VAC COIL, (18) 120VAC/8A NO CONTACT  
 \* FROM CONTROL ROOM  
 ~ FROM WIND TUNNEL  
 □ TERMINAL FOR EXTERNAL CONNECTION

4 MCC #3/MCC#1 MASTER RELAY  
 SCALE: E05

DRAWING NOTES

- CONTRACTOR TO IDENTIFY EXISTING CONTROL WIRES TO MCC. PROVIDE SPACES AND RECONNECT EXISTING CONTROL WIRES. COORDINATE WITH NRC OPERATION FOR INSTALLATION AND COMMISSION.
- PROVIDE NEW CONTROL WIRING. REFER TO E05/4
- REPLACE EXISTING CONTRACTORS IN VARIABLE DIFFUSER SUPPLY PANEL.
  - PROVIDE NEW CONTRACTORS AS FOLLOWS:
    - Z1M: NEMA 0
    - Z2M: NEMA 2
    - Z5M: NEMA 2
- RECONNECT EXISTING WIRING.
  - REFER TO A-2061

GENERAL NOTES

- READ THIS DRAWING IN CONNECTION WITH ARCHITECTURAL AND MECHANICAL DRAWINGS AND SPECIFICATIONS.
- CONTRACTORS TO CHECK AND VERIFY ALL DIMENSIONS ON SITE PRIOR TO DEMOLITION OR CONSTRUCTION AND REPORT ANY ERRORS OR DISCREPANCIES TO THE ARCHITECTURAL REPRESENTATIVE.
  - CONTRACTORS MUST VISIT THE SITE & FULLY FAMILIARIZE THEMSELVES WITH THE SCOPE OF THE WORK.
  - PREVENT THE SPREAD OF DUST & DEBRIS BEYOND THE WORK AREA AND CLEAN ALL SURFACES AT COMPLETION.
  - MAKE GOOD ALL SURFACES AFFECTED BY THIS FULL-ALL HOLES, PATCH & PAINT ALL SURFACES IN CONTRACT AREA. COLOUR SCHEME TO MATCH EXISTING.
  - REMOVE MEANS REMOVE AND DISPOSE OF OFF SITE UNLESS OTHERWISE NOTED.
  - PROVIDE LABELS TO NEW DEVICES TO INDICATE POWER SOURCE. UPDATE PANEL SCHEDULES AFTER JOB COMPLETION.
  - THE WORD "PROVIDE" MEANS SUPPLY, INSTALL, CONNECT AND TEST. MEANS WIRES/CABLE AND RACEWAY AND WIRING.
  - ALL WIRE TO BE IN EMT UNLESS OTHERWISE NOTED.
  - COORDINATE ALL SHUTDOWNS WITH THE NRC DEPARTMENTAL REPRESENTATIVE. OUTAGE IS ONLY SCHEDULED DURING WEEKEND OR AFTER HOUR, UNLESS OTHERWISE SPECIFIED BY NRC REPRESENTATIVE.
  - REPRESENTATIVE OUTAGE MUST BE CARRIED BETWEEN FRIDAY 1800 AND MONDAY 0300. ANY AFTER HOUR OUTAGE MUST BE CARRIED ALL LOADS TO BE RESUMED AT THE END OF OUTAGE.
  - TO USE NRC OWNED CRANE ON SITE. CONTRACTOR IS REQUIRED TO PROVIDE OWN CERTIFIED CRANE OPERATOR AND CERTIFY THE OPERATOR TO THE NRC. CONTRACTOR SHALL BE RESPONSIBLE FOR OBTAINING ALL NECESSARY PERMITS AND AS AN ALTERNATIVE, CONTRACTOR CAN BRING OWN CRANE.
  - CONTRACTOR TO VERIFY INTEGRITY OF EXISTING RACEWAY BY PULLING A BRUSH AND MANDREL BEFORE WIRING.
  - ALWAYS PERFORM SCAN BEFORE CORE DRILL.
  - VERIFY PHASING AND ROTATION. MATCH THE EXISTING SYSTEM.
  - CONTRACTOR IS RESPONSIBLE FOR REPAIR OF ANY DAMAGES TO ANY EXISTING BUILDING COMPONENT CAUSED BY CONSTRUCTION ACTIVITIES.

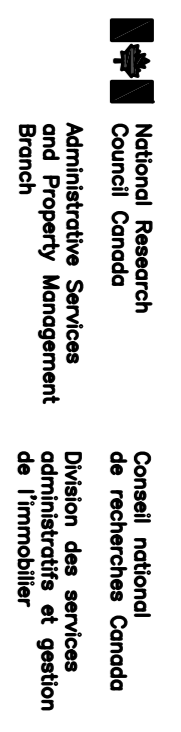
No.	Date	Revision	By:	Date
0	NOV/7/2016	ISSUED FOR ADDENDUM #2	KXL	
0	OCT/24/2016	ISSUED FOR TENDER	KXL	

<p>○ Verify all dimensions and site conditions and be responsible for same</p> <p>○ Vérifier toutes les dimensions et l'état des lieux et en assumer la responsabilité</p>	<p>A Detail no. No. du détail</p> <p>B Location drawing no. sur dessin no.</p> <p>C Drawing no. dessin no.</p>	<p>A</p> <p>B/C</p>
--	--	---------------------

Project: BUILDING U06 ROOM 003 ELECTRICAL UPGRADE

designed	KXL	conçu	date	OCT/2016
drawn	KXL	dessiné	scale	NTS
checked	KXL	vérifié	sheet	E05 of/de E10
approved	DL	approuvé	W.O.no.	A1-006434-01

drawing no.	5280-E05	design no.	
-------------	----------	------------	--

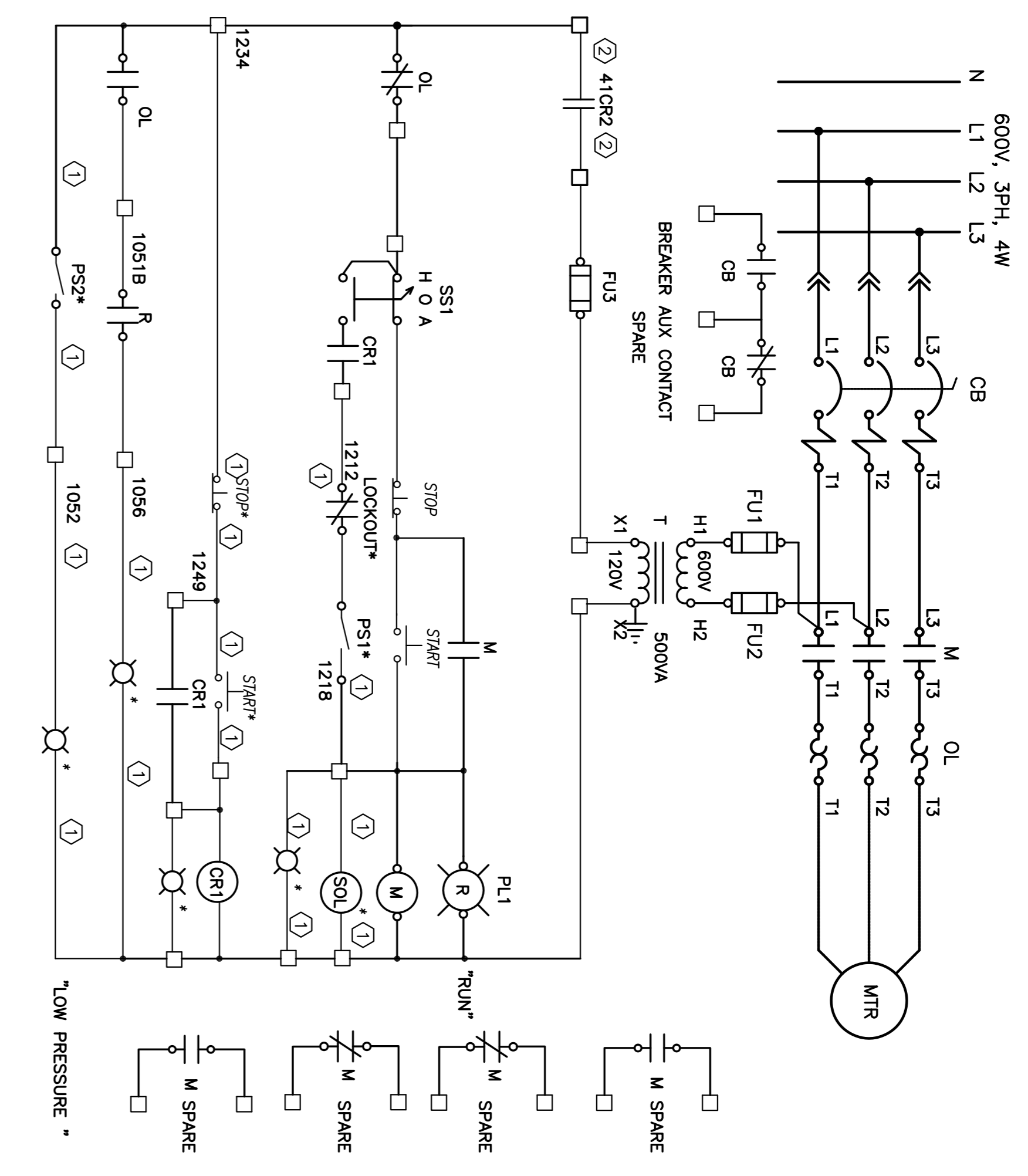


### DRAWING NOTES

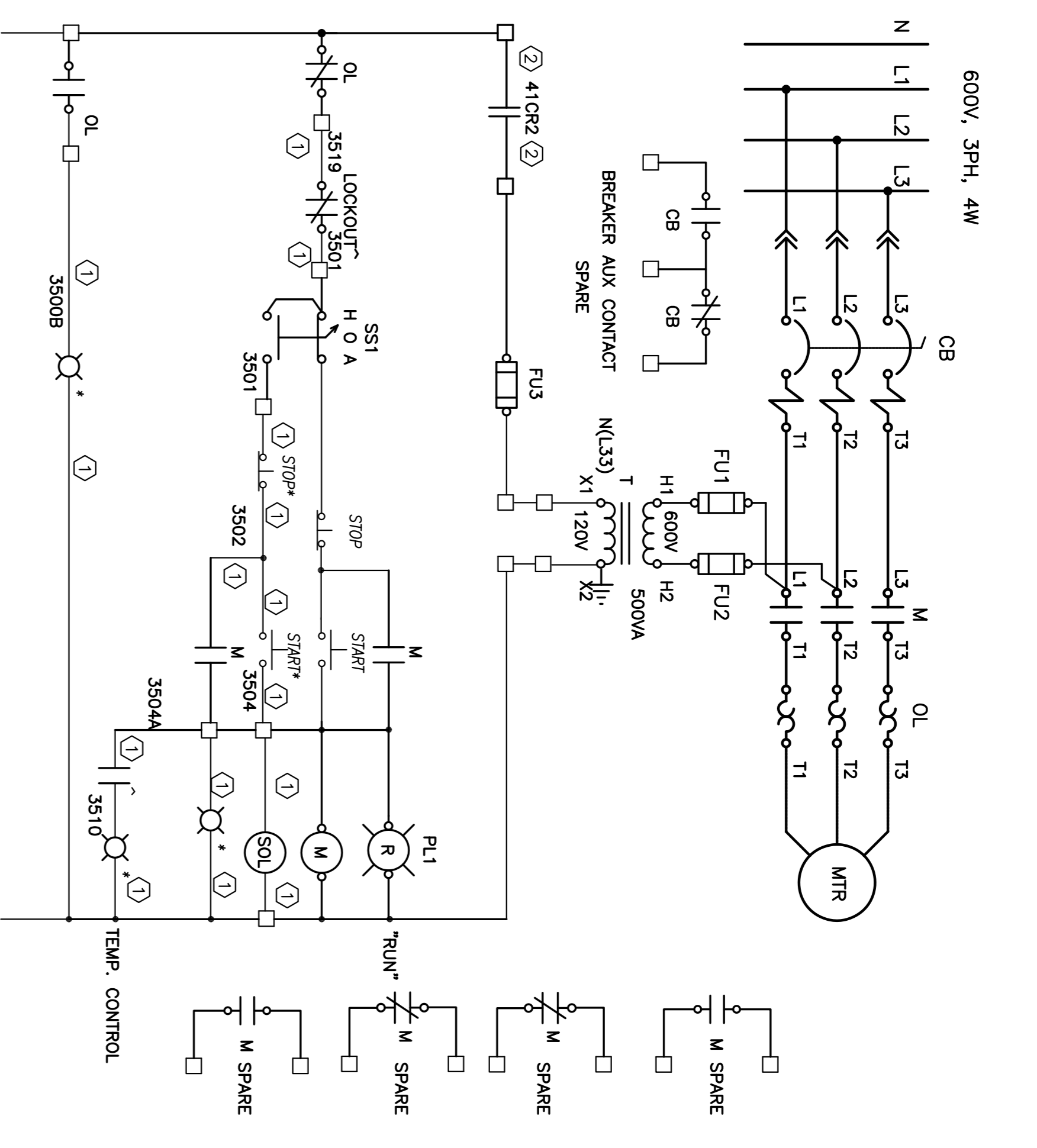
- CONTRACTOR TO IDENTIFY EXISTING CONTROL WIRES TO MCC. PROVIDE SPLICES AND RECONNECT EXISTING CONTROL WIRES. COORDINATE WITH NRC OPERATION FOR INSTALLATION AND COMMISSION.
- PROVIDE NEW CONTROL WIRING. REFER TO E05/4.
- NEW INTERCONNECTION FROM E06/1.

### GENERAL NOTES

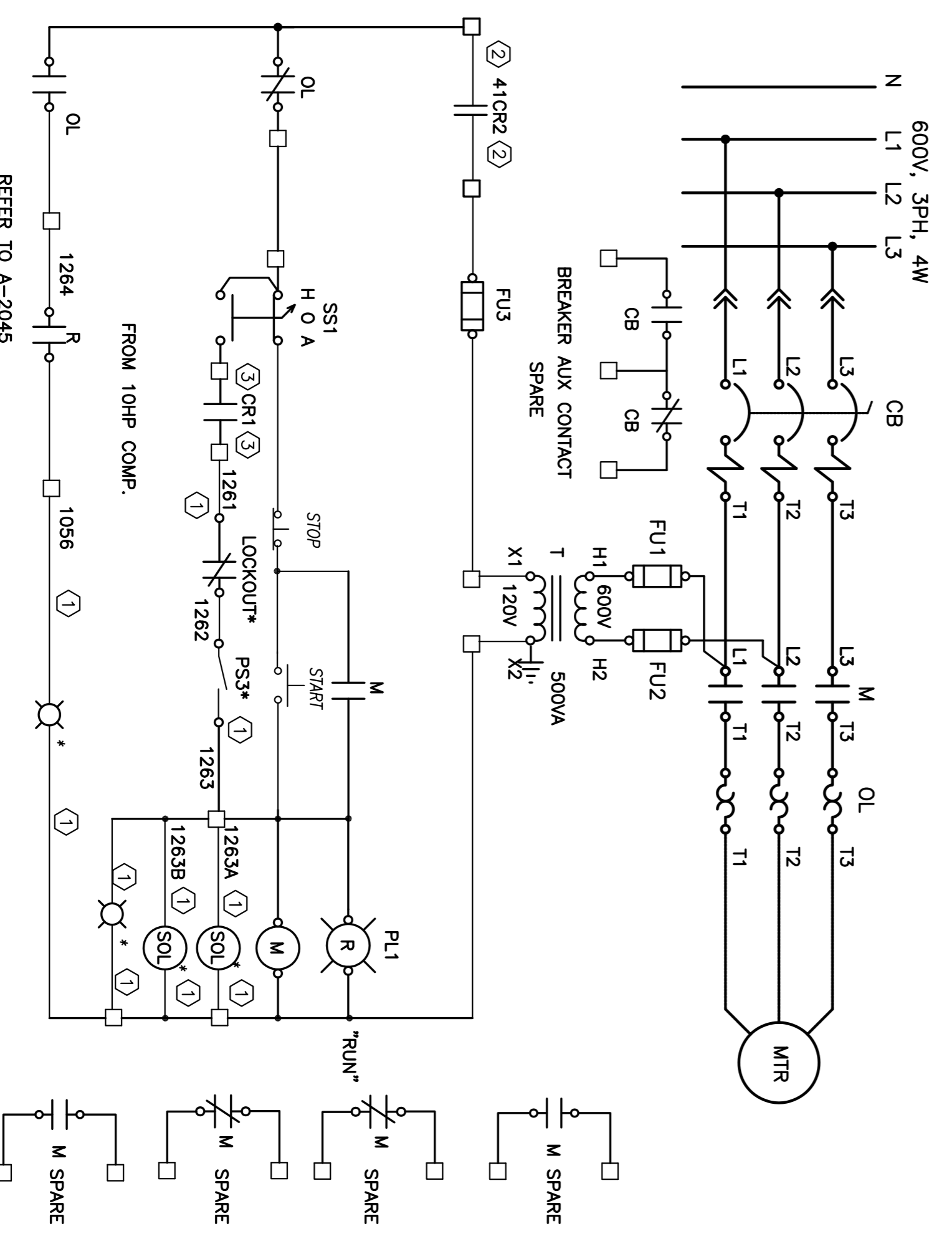
- READ THIS DRAWING IN CONNECTION WITH ARCHITECTURAL AND MECHANICAL DRAWINGS AND SPECIFICATIONS.
- CONTRACTORS TO CHECK AND VERIFY ALL DIMENSIONS ON SITE PRIOR TO DEMOLITION OR CONSTRUCTION AND REPORT ANY ERRORS OR REPRESENTATIVE DEPARTMENTAL REPRESENTATIVES MUST VISIT THE SITE & FULLY FAMILIARIZE THEMSELVES WITH THE SCOPE OF THE WORK.
- PREVENT THE SPREAD OF DUST & DEBRIS BEYOND THE WORK AREA AND CLEAN ALL SURFACES AT COMPLETION.
- MAKE GOOD ALL SURFACES AFFECTED BY THIS FULL-ALL HOLES, PATCH & PAINT ALL SURFACES IN CONTRACT AREA. COLOUR SCHEME TO MATCH EXISTING.
- REMOVE MEANS REMOVE AND DISPOSE OF OFF SITE UNLESS OTHERWISE NOTED.
- PROVIDE LABELS TO NEW DEVICES TO INDICATE POWER SOURCE. UPDATE PANEL SCHEDULES AFTER JOB COMPLETION.
- THE WORD "PROVIDE" MEANS SUPPLY, INSTALL, CONNECT AND TEST. MEANS WIRES/CABLE AND RACEWAY AND WINING.
- ALL WIRE TO BE IN EMT UNLESS OTHERWISE NOTED.
- COORDINATE ALL SHUTDOWNS WITH THE NRC DEPARTMENTAL REPRESENTATIVE. OUTAGE IS ONLY SCHEDULED DURING WEEKEND OR AFTER HOUR, UNLESS OTHERWISE SPECIFIED BY NRC REPRESENTATIVE. OUTAGE MUST BE CARRIED BETWEEN FRIDAY 1800 AND MONDAY 0300. ANY AFTER HOUR OUTAGE MUST BE CARRIED BETWEEN SAME DAY 1800 AND NEXT DAY 0300. ALL LOADS TO BE RESUMED AT THE END OF OUTAGE.
- TO USE NRC OWNED CRANE ON SITE. CONTRACTOR IS REQUIRED TO PROVIDE OWN IDENTIFIED CRANE OPERATOR, AND CERTIFY THE CRANE OPERATOR. CONTRACTOR TO BE RESPONSIBLE FOR THE CRANE OPERATOR. CONTRACTOR CAN BRING OWN CRANE. CONTRACTOR TO VERIFY INTEGRITY OF EXISTING RACEWAY BY PULLING A BRUSH AND MANDREL BEFORE WIRING.
- ALWAYS PERFORM SCAN BEFORE CORE DRILL.
- VERIFY PHASING AND ROTATION. MATCH THE EXISTING SYSTEM.
- CONTRACTOR IS RESPONSIBLE FOR REPAIR OF ANY DAMAGES TO ANY EXISTING BUILDING COMPONENT CAUSED BY CONSTRUCTION ACTIVITIES.



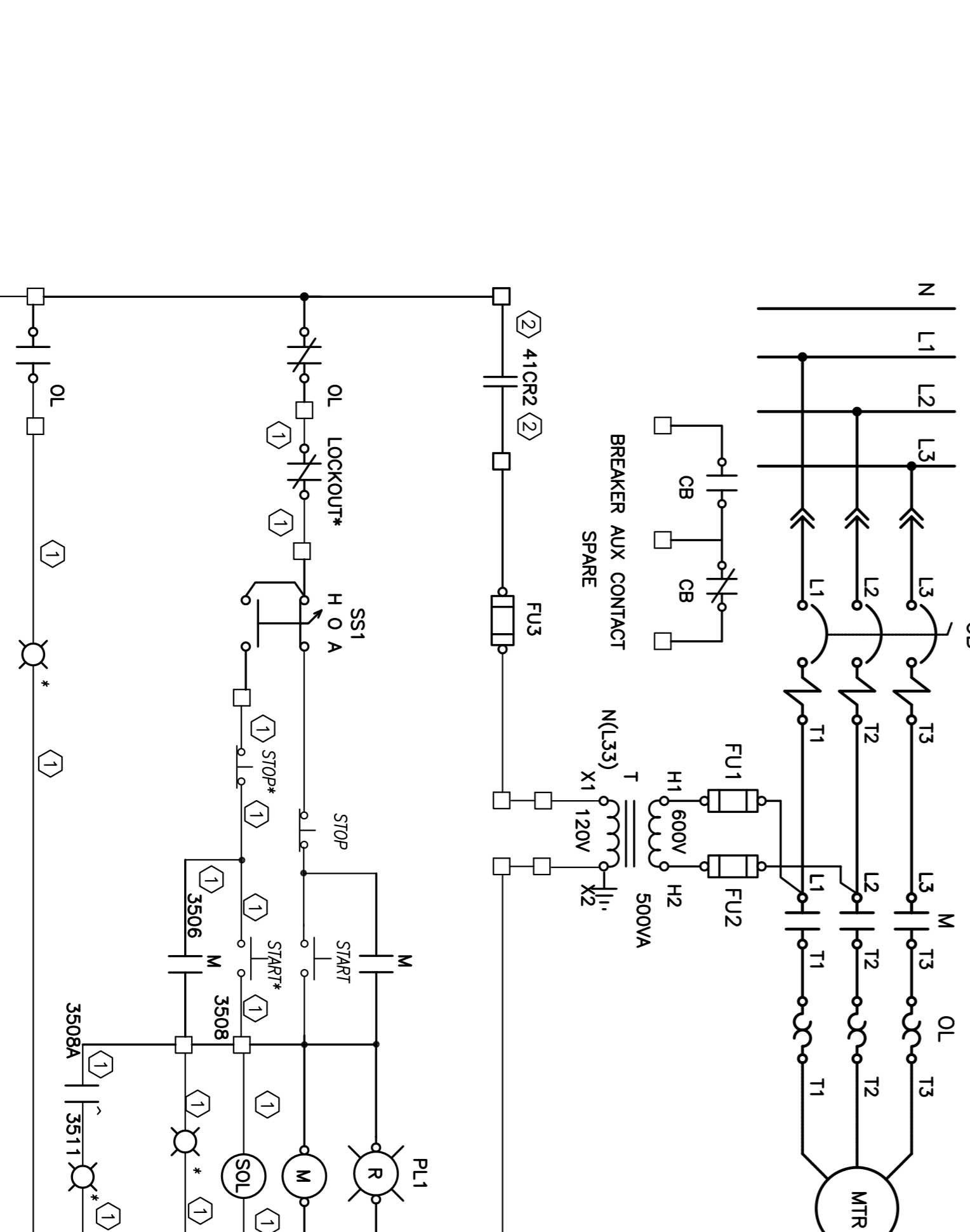
1 MCC #1 10HP SEAL AIR COMPRESSOR  
SCALE: E06



3 MCC #1 SUPERSONIC HYDRAULIC UNIT #1  
SCALE: E06



2 MCC #1 15HP SEAL AIR COMPRESSOR  
SCALE: E06



4 MCC #1 SUPERSONIC HYDRAULIC UNIT #2  
SCALE: E06

designed	KXL	congru date	OCT/2016	date
drawn	KXL	dessiné scale	NTS	échelle
checked	KXL	vérifié	scale: E06	of/du: E10
approved	DL	approved	W.O.no: A1-006434-01	D.T.no: 037.no:
drawing no. 5280-E06				

No.	Date	Revision	For:
1	NOV/7/2016	ISSUED FOR ADOPTION #2	KXL
0	OCT/24/2016	ISSUED FOR TENDER	KXL

Project: BUILDING U06 ROOM 003 ELECTRICAL UPGRADE  
Project: UPLANDS ROAD CAMPUS  
Drawing: MCC CONTROL CIRCUIT SHEET 2

**GENERAL NOTES**

1. CONTRACTOR TO IDENTIFY EXISTING CONTROL WIRES TO MCC. PROVIDE SPLICES AND RECONNECT EXISTING CONTROL WIRES. COORDINATE WITH NRC OPERATION FOR INSTALLATION AND COMMISSION.
  2. PROVIDE NEW CONTROL WIRING. REFER TO E05/4.
- READ THIS DRAWING IN CONNECTION WITH ARCHITECTURAL AND MECHANICAL DRAWINGS AND SPECIFICATIONS.
- B CONTRACTORS TO CHECK AND VERIFY ALL DIMENSIONS ON SITE PRIOR TO DEMOLITION OR CONSTRUCTION AND REPORT ANY ERRORS OR REPRESENTATIVE NRC DEPARTMENTAL CONTRACTORS MUST VISIT THE SITE & FULLY FAMILIARIZE THEMSELVES WITH THE SCOPE OF THE WORK.
- D PREVENT THE SPREAD OF DUST & DEBRIS BEYOND THE WORK AREA AND CLEAN ALL SURFACES AT COMPLETION.
- E MAKE GOOD ALL SURFACES AFFECTED BY THIS FULL-ALL HOLES, PATCH & PAINT ALL SURFACES IN CONTRACT AREA. COLOUR SCHEME TO MATCH EXISTING.
- G REMOVE MEANS REMOVE AND DISPOSE OF OFF SITE UNLESS OTHERWISE NOTED.
- H PROVIDE LABELS TO NEW DEVICES TO INDICATE POWER SOURCE. UPDATE PANEL SCHEDULES AFTER JOB COMPLETION.
- I THE WORD "PROVIDE" MEANS SUPPLY, INSTALL, CONNECT AND TEST. MEANS WIRES/CABLE AND RACEWAY AND WIRING. MEANS WIRES/CABLE AND ALL WIRE TO BE IN EMT UNLESS OTHERWISE NOTED.
- L COORDINATE ALL SHUTDOWNS WITH THE NRC DEPARTMENTAL REPRESENTATIVE. OUTAGE IS ONLY SCHEDULED DURING WIKEND OR AFTER HOUR, UNLESS OTHERWISE SPECIFIED BY NRC REPRESENTATIVE. OUTAGE MUST BE CARRIED BETWEEN FRIDAY 1800 AND MONDAY 0300. ANY AFTER HOUR OUTAGE MUST BE CARRIED ALL LOADS TO BE RESUMED AT THE END OF OUTAGE.
- M TO USE NRC OWNED CRANE ON SITE. CONTRACTOR IS REQUIRED TO PROVIDE OWN IDENTIFIED CRANE OPERATOR, AND CERTIFY THE OPERATOR TO THE NRC. LET OPERATOR AS ALTERNATIVE, CONTRACTOR CAN BRING OWN CRANE. CONTRACTOR TO VERIFY INTEGRITY OF EXISTING RACEWAY BY PULLING A BRUSH AND MANUREL BEFORE WIRING.
- N CONTRACTOR TO PERFORM SCAN BEFORE CORE DRILL. ALWAYS PERFORM AND ROTATION. MATCH THE EXISTING SYSTEM.
- P VERIFY PHASING AND ROTATION. MATCH THE EXISTING SYSTEM. CONTRACTOR RESPONSIBLE FOR REPAIR OF ANY DAMAGES TO ANY EXISTING BUILDING COMPONENT CAUSED BY CONSTRUCTION ACTIVITIES.

No.	Date	Revision	By:	Date
1	NOV/7/2016	ISSUED FOR ADOPTION#2	KXL	
0	OCT/24/2016	ISSUED FOR TENDER	KXL	

Date Printed: 00 MM YYYY Date Imprimee: 00 MM YYYY

Verify all dimensions and site conditions and be responsible for same.  
 Vérifier toutes les dimensions et l'état des lieux et en assumer la responsabilité.

A	Detail no.	A
B	No. du détail	A
C	Location drawing no.	B/C
	sur dessin no.	
	C Dessin no.	

Project: **BUILDING U06 ROOM 003 ELECTRICAL UPGRADE**

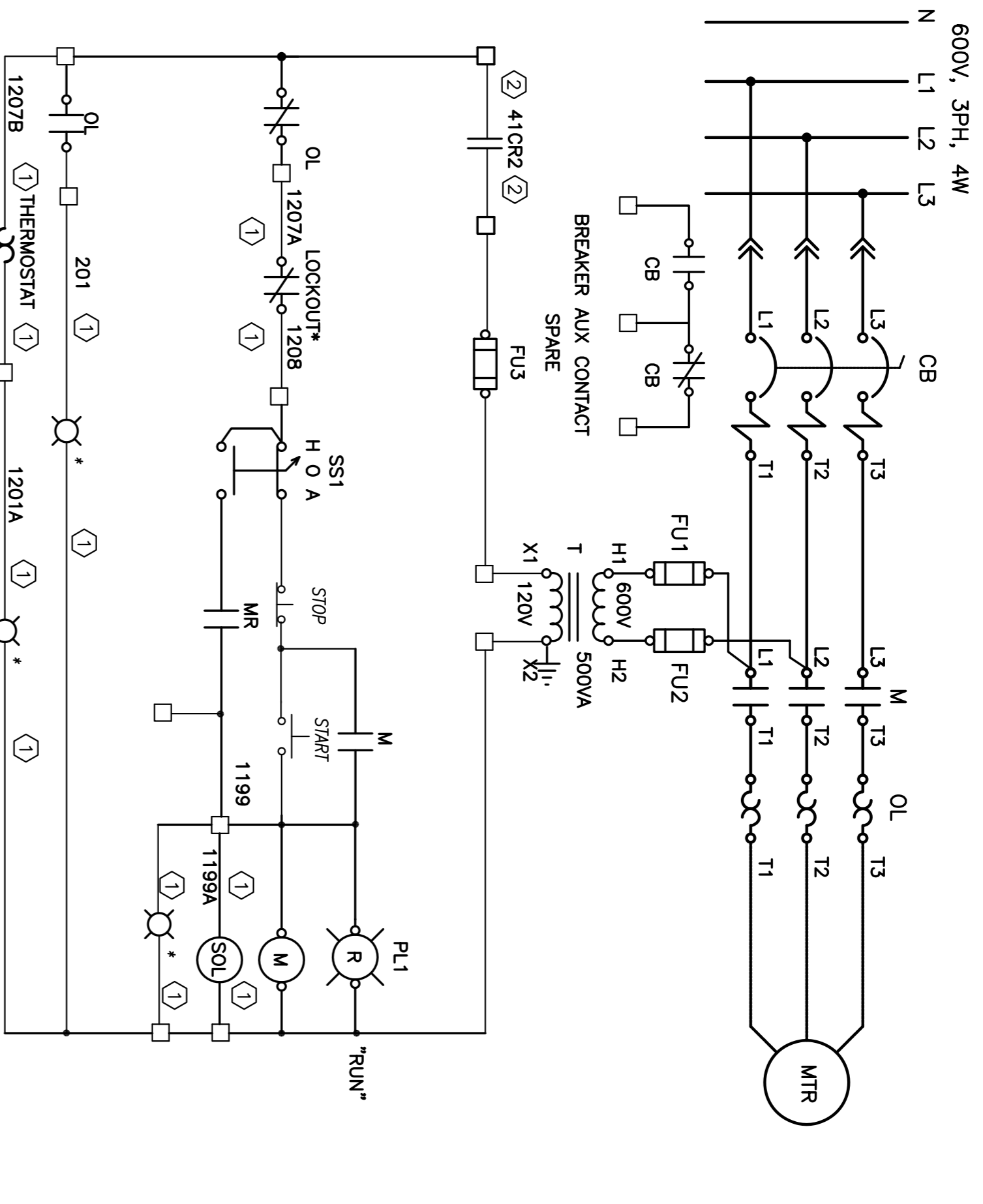
Project: **URLANDS ROAD CAMPUS**

Drawing: **MCC CONTROL CIRCUIT SHEET 3**

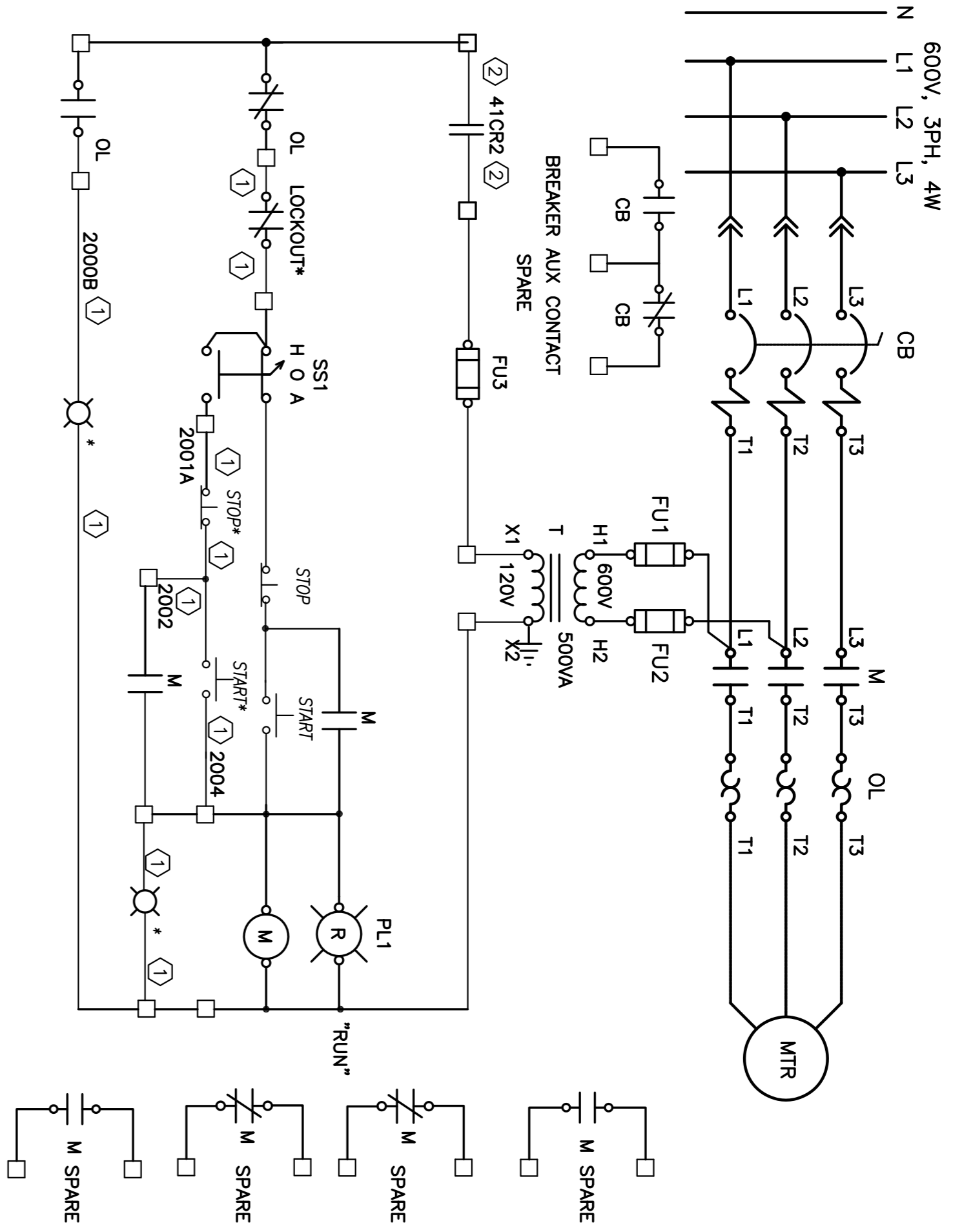
designed	congrui	date	date
KXL		OCT/2016	
drawn	dessiné	scale	échelle
KXL		NTS	
checked	vérifié	sheet	feuille
KXL		E07 of/de	E10
approved	approuvé	W.O.no.	D.T.no.
DL		A1-006434-01	
diag.no.			dessin no.
5280-E07			

**DRAWING NOTES**

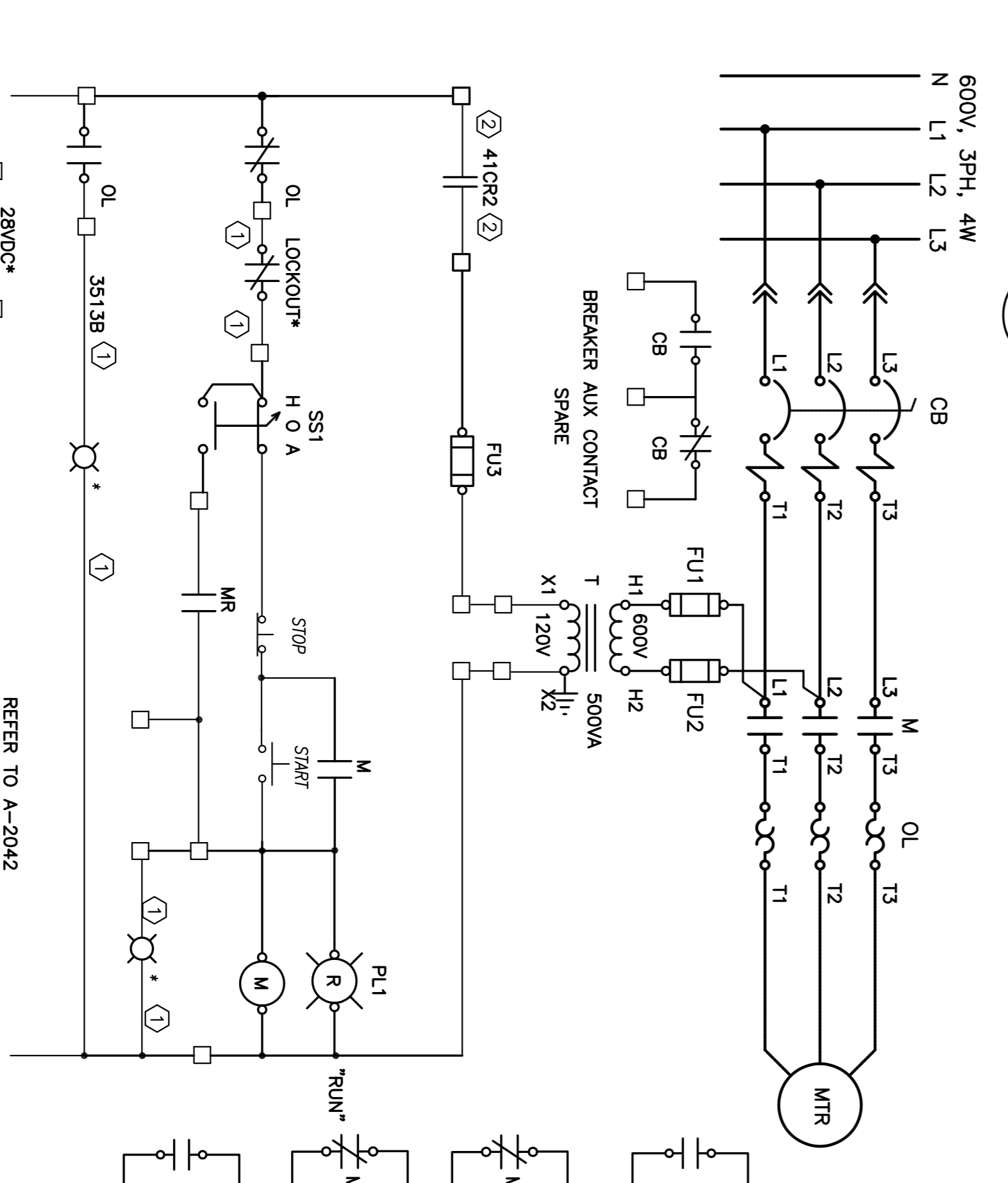
1. CONTRACTOR TO IDENTIFY EXISTING CONTROL WIRES TO MCC. PROVIDE SPLICES AND RECONNECT EXISTING CONTROL WIRES. COORDINATE WITH NRC OPERATION FOR INSTALLATION AND COMMISSION.
2. PROVIDE NEW CONTROL WIRING. REFER TO E05/4.



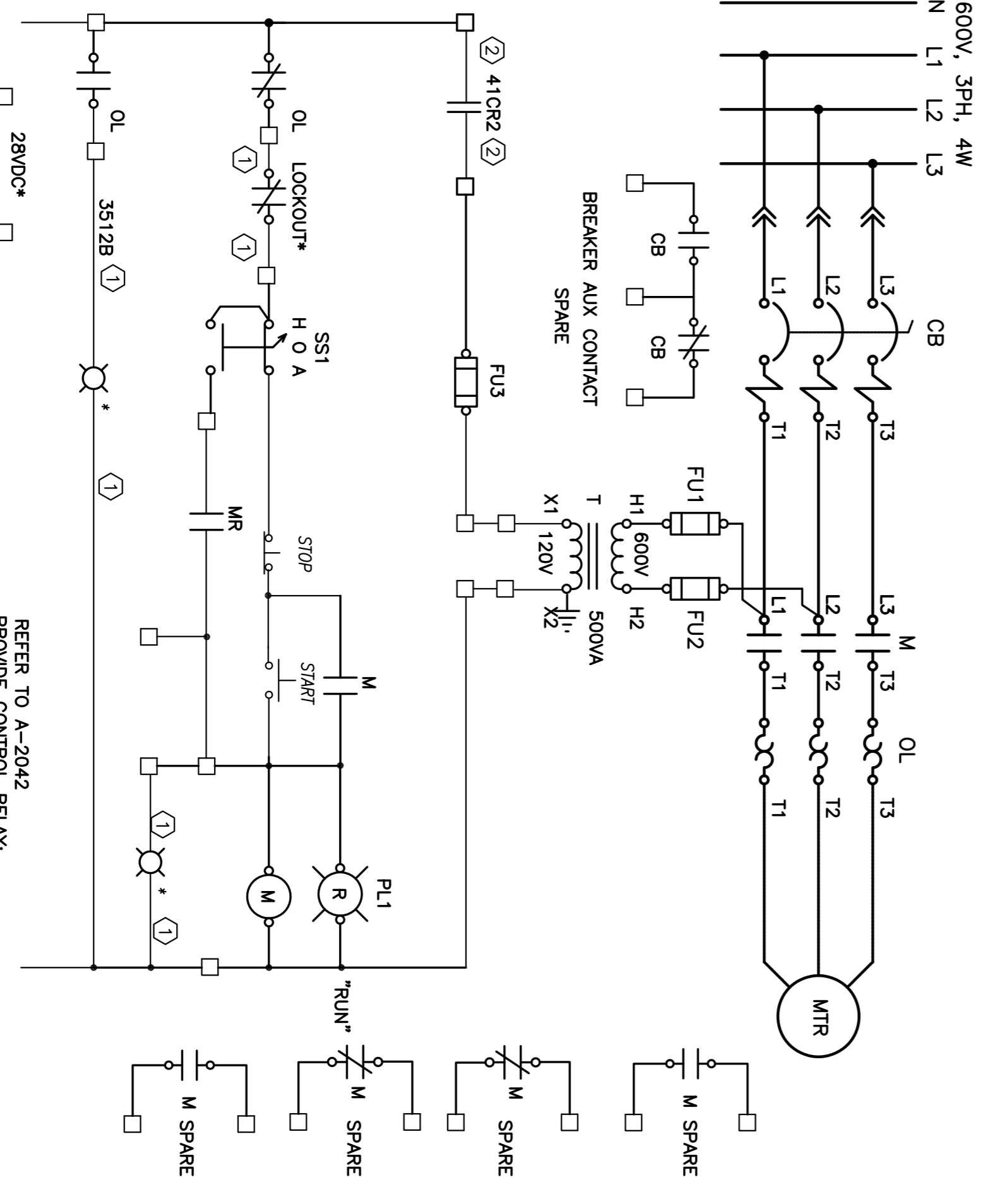
3 MCC #1 CART DRIVE HYDRAULIC UNIT  
 SCALE: E07



1 MCC #1 SUPERSONIC JACK DRIVE NO.1  
 SCALE: E07



4 MCC #1 SUPERSONIC JACK DRIVE NO. 2  
 SCALE: E07



2 MCC #1 SUPERSONIC JACK DRIVE NO.1  
 SCALE: E07

**DRAWING NOTES**

1. CONTRACTOR TO IDENTIFY EXISTING CONTROL WIRES TO MCC. PROVIDE SPLICES AND RECONNECT EXISTING CONTROL WIRES, COORDINATE WITH NRC OPERATION FOR INSTALLATION AND COMMISSION.
2. PROVIDE NEW CONTROL WIRING, REFER TO E05/4.

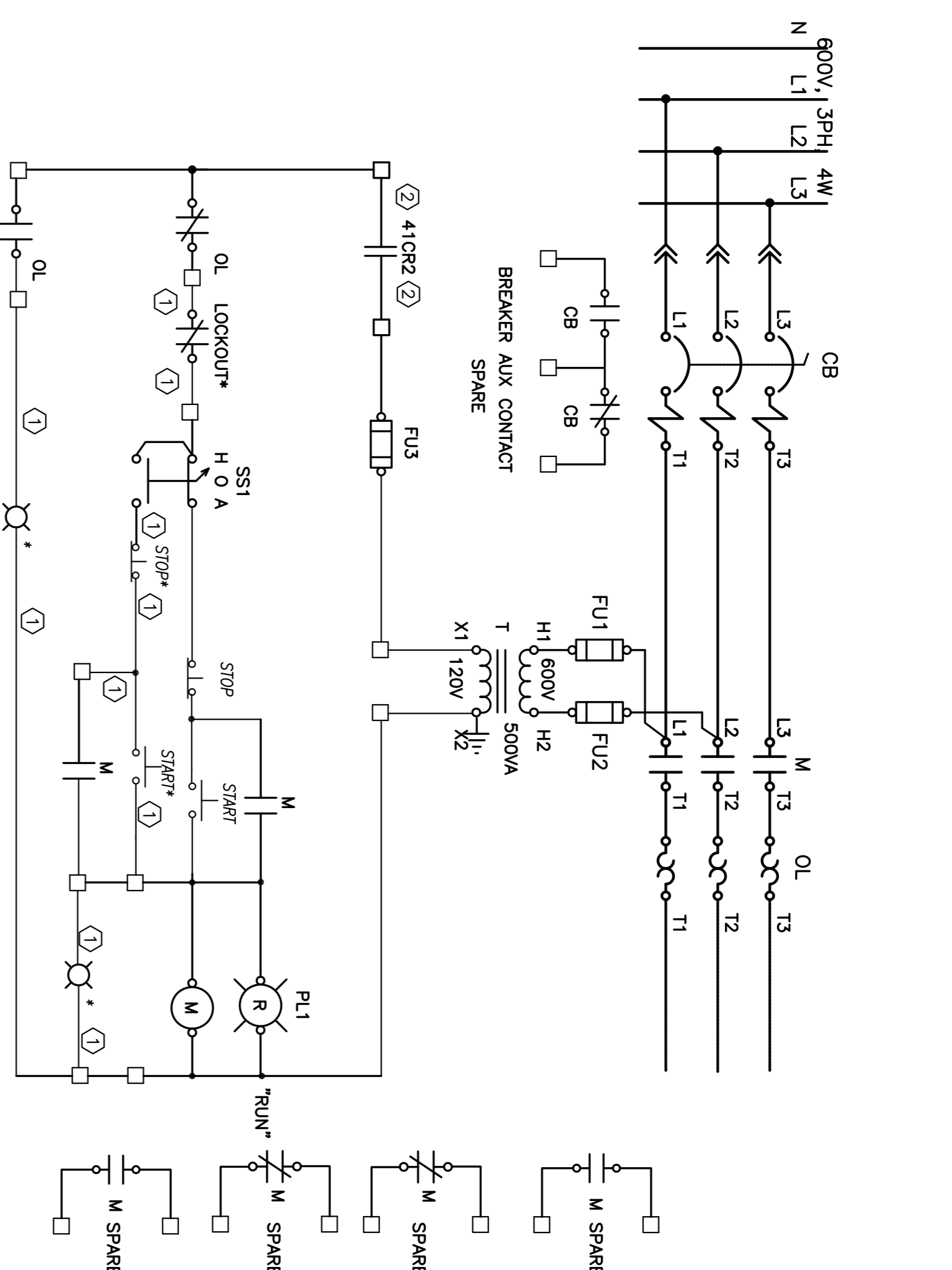
**NRC-CNRC**

National Research Council Canada  
 Administrative Services  
 Division des services administratifs et gestion des installations

Consult national Canada  
 de recherches Canada  
 Division des services administratifs et gestion des installations

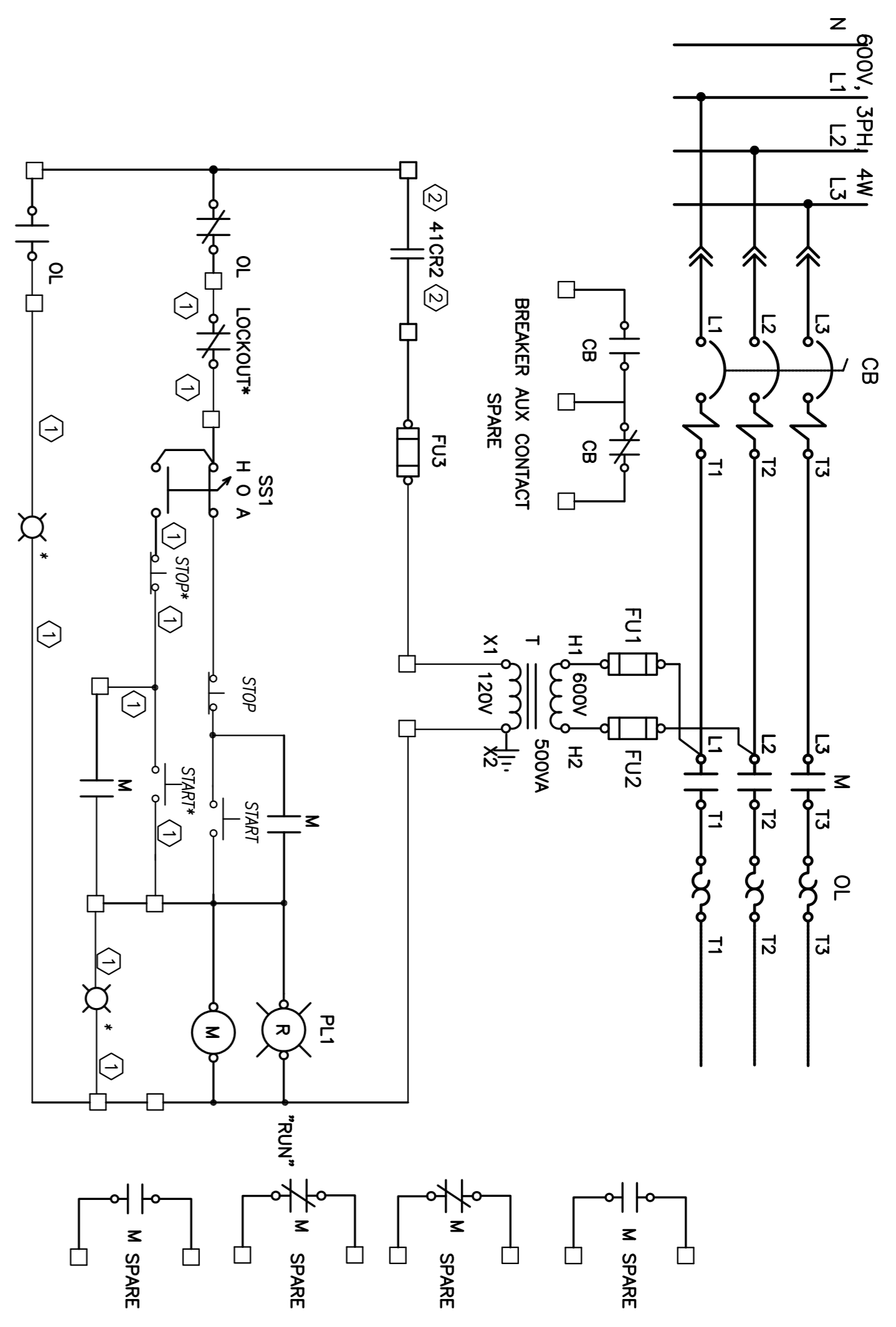
**GENERAL NOTES**

1. READ THIS DRAWING IN CONJUNCTION WITH ARCHITECTURAL AND MECHANICAL DRAWINGS AND SPECIFICATIONS.
2. CONTRACTORS TO CHECK AND VERIFY ALL DIMENSIONS ON SITE PRIOR TO DEMOLITION OR CONSTRUCTION AND REPORT ANY ERRORS OR REPRESENTATIVE NRC DEPARTMENTAL CONTRACTORS MUST VISIT THE SITE & FULLY FAMILIARIZE THEMSELVES WITH THE SCOPE OF THE WORK.
3. PREVENT THE SPREAD OF DUST & DEBRIS BEYOND THE WORK AREA AND CLEAN ALL SURFACES AT COMPLETION.
4. MAKE GOOD ALL SURFACES AFFECTED BY THIS FULL-ALL HOLES, PATCH & PAINT ALL SURFACES IN CONTRACT AREA. COLOUR SCHEME TO MATCH EXISTING.
5. REMOVE MEANS REMOVE AND DISPOSE OF OFF SITE UNLESS OTHERWISE NOTED.
6. PROVIDE LABELS TO NEW DEVICES TO INDICATE POWER SOURCE. UPDATE PANEL SCHEDULES AFTER JOB COMPLETION.
7. THE WORD "PROVIDE" MEANS SUPPLY, INSTALL, CONNECT AND TEST. MEANS WIRES/CABLE AND RACEWAY AND WIRING. MEANS WIRES/CABLE AND ALL WIRE TO BE IN EMT UNLESS OTHERWISE NOTED.
8. COORDINATE ALL SHUTDOWNS WITH THE NRC DEPARTMENTAL REPRESENTATIVE. OUTAGE IS ONLY SCHEDULED DURING WEEKEND OR AFTER HOUR, UNLESS OTHERWISE SPECIFIED BY NRC.
9. REPRESENTATIVE OUTAGE MUST BE CARRIED BETWEEN FRIDAY 1800 AND MONDAY 0300. ANY AFTER HOUR OUTAGE MUST BE CARRIED BETWEEN SAME DAY 1800 AND NEXT DAY 0300. ALL LOADS TO BE RESUMED AT THE END OF OUTAGE.
10. TO USE NRC OWNED CRANE ON SITE. CONTRACTOR IS REQUIRED TO PROVIDE OWN CERTIFIED CRANE OPERATOR, AND CERTIFY THE OPERATOR TO THE NRC. THE CONTRACTOR CAN BRING OWN CRANE. CONTRACTOR TO VERIFY INTEGRITY OF EXISTING RACEWAY BY PULLING A BRUSH AND MANDREL BEFORE WIRING.
11. ALWAYS PERFORM SCAN BEFORE CORE DRILL. VERIFY PHASING AND ROTATION. MATCH THE EXISTING SYSTEM. CONTRACTOR RESPONSIBLE FOR REPAIR OF ANY DAMAGES TO ANY EXISTING BUILDING COMPONENT CAUSED BY CONSTRUCTION ACTIVITIES.

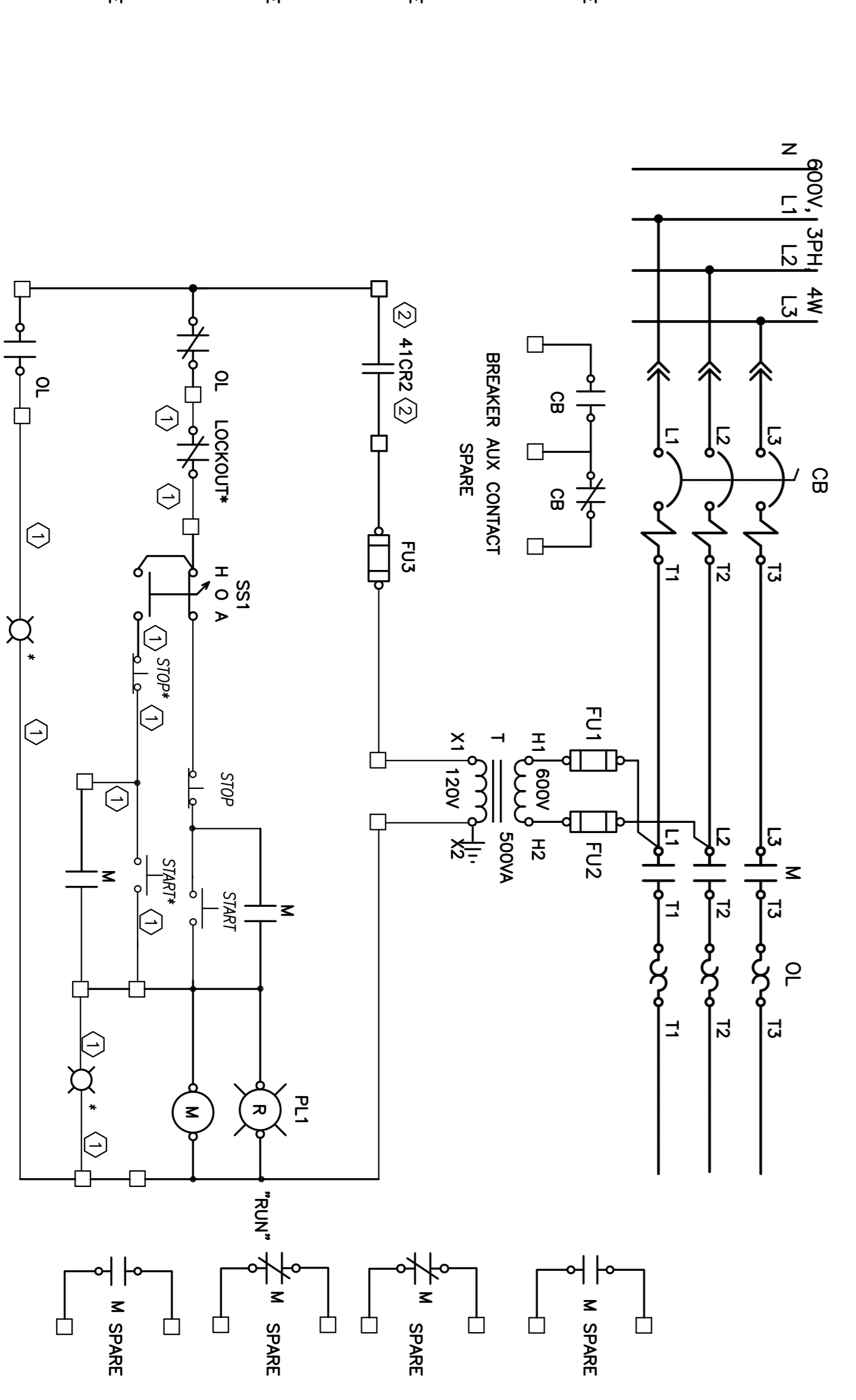


**3** MCC #1 MEZZ. DC AUXILIARY SUPPLY  
 SCALE: E08

REFER TO A-2052  
 \* FROM CONTROL ROOM  
 □ TERMINAL FOR EXTERNAL CONNECTION

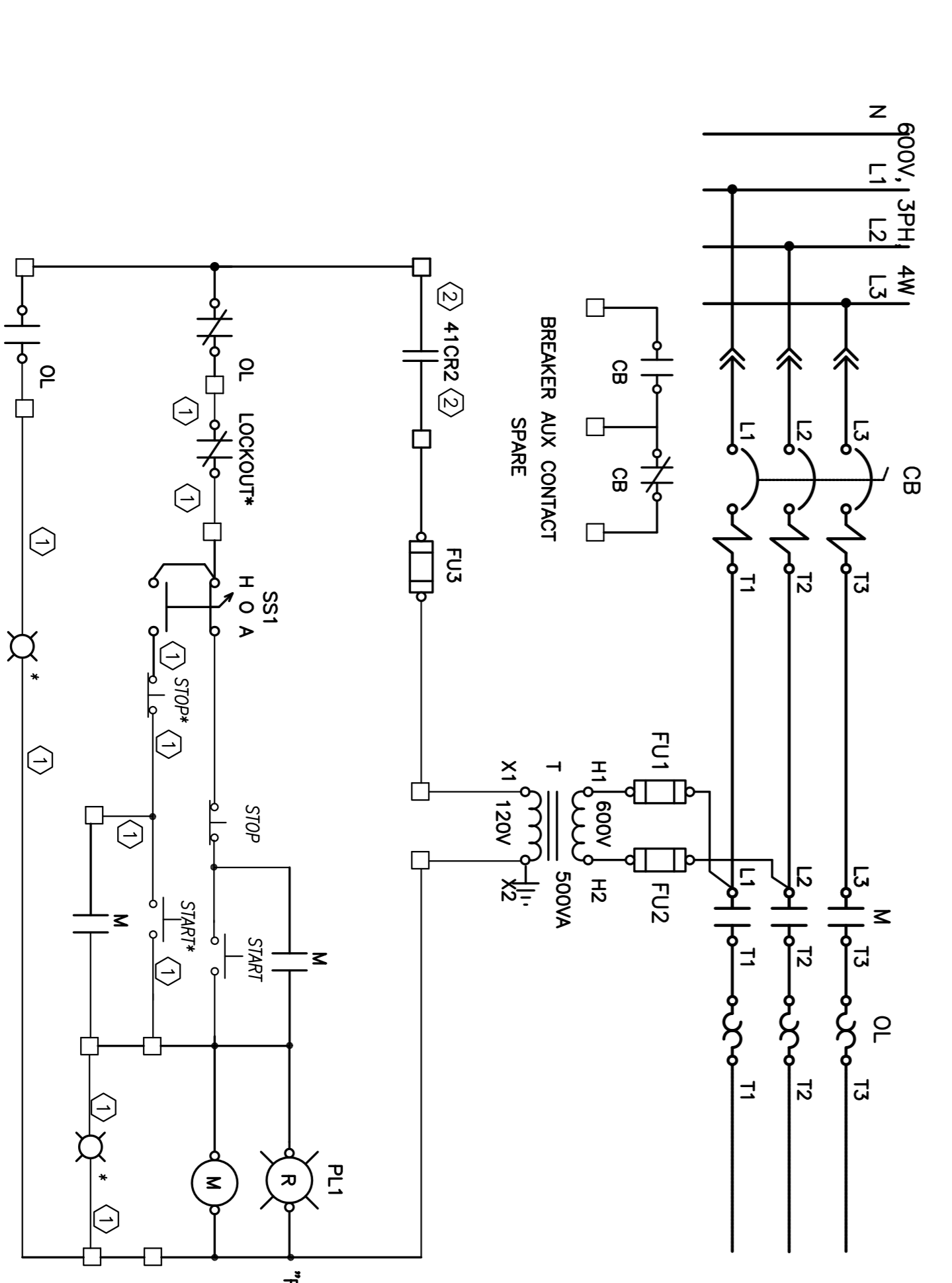


**1** MCC #1 VARIABLE DIFFUSER/TRANS. NOZZLE SUPPLY  
 SCALE: E08

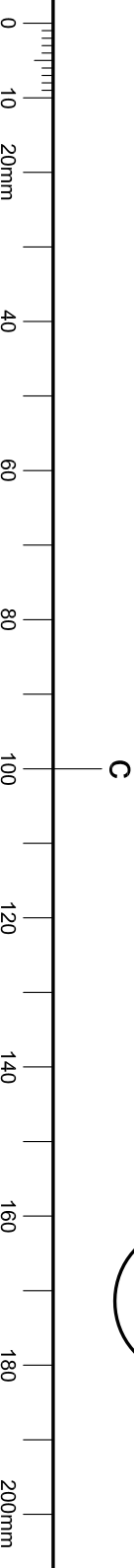


**4** MCC #1 FRUNDEL LIGHT SOURCE  
 SCALE: E08

\* FROM CONTROL ROOM  
 □ TERMINAL FOR EXTERNAL CONNECTION



**2** MCC #1 CONTROL VALVE LIMITER FEED  
 SCALE: E08



No.	Date	Revision	By:
1	Nov/7/2016	ISSUED FOR APPROVAL #2	KXL
0	Oct/24/2016	ISSUED FOR TENDER	KXL

Date Printed	DD MM YYYY	Date Imprimée

Verify all dimensions and site conditions and be responsible for same	
Verify toutes les dimensions et l'état des lieux et en assumer la responsabilité	

A Detail no.	A
No. du détail	A
B Location drawing no.	B/C
sur dessin no.	B/C
C Drawing no.	C
dessin no.	C

Project	UPLANDS ROAD CAMPUS
Project	BUILDING U06
Project	ROOM 003 ELECTRICAL UPGRADE
Drawing	MCC CONTROL CIRCUIT SHEET 4
designed	KXL
conçu	KXL
date	OCT/2016
drawn	KXL
dessiné	KXL
scale	NTS
échelle	NTS
checked	KXL
vérifié	KXL
sheet	E08 of/4e
feuille	E08 of/4e
approved	DL
W.O.no.	A1-006434-01
D.T.no.	
diag.no.	5280-E08
dessin no.	

### DRAWING NOTES

- CONTRACTOR TO IDENTIFY EXISTING CONTROL WIRES TO MCC, PROVIDE SPLICES AND RECONNECT EXISTING CONTROL WIRES, INSTALLATION AND COMMISSION.
- PROVIDE NEW CONTROL WIRING, REFER TO E05/4.

**GENERAL NOTES**

READ THIS DRAWING IN CONJUNCTION WITH ARCHITECTURAL AND MECHANICAL DRAWINGS AND SPECIFICATIONS.

CONTRACTORS ON SITE PRIOR TO DEMOLITION OR CONSTRUCTION AND REPORT ANY ERRORS OR OMISSIONS TO THE PROJECT MANAGER IMMEDIATELY. REPRESENTATION OF DEPARTMENTAL CONTRACTORS MUST VISIT THE SITE & FULLY FAMILIARIZE THEMSELVES WITH THE SCOPE OF THE WORK.

PREVENT THE SPREAD OF DUST & DEBRIS BEYOND THE WORK AREA AND CLEAN ALL SURFACES AT COMPLETION.

MAKE GOOD ALL SURFACES AFFECTED BY THIS FULL-ALL HOLES, PATCH & PAINT ALL SURFACES IN CONTRACT AREA. COLOUR SCHEME TO MATCH EXISTING.

REMOVE MEANS REMOVE AND DISPOSE OF OFF SITE UNLESS OTHERWISE NOTED.

PROVIDE LABELS TO NEW DEVICES TO INDICATE POWER SOURCE. UPDATE PANEL SCHEDULES AFTER JOB COMPLETION.

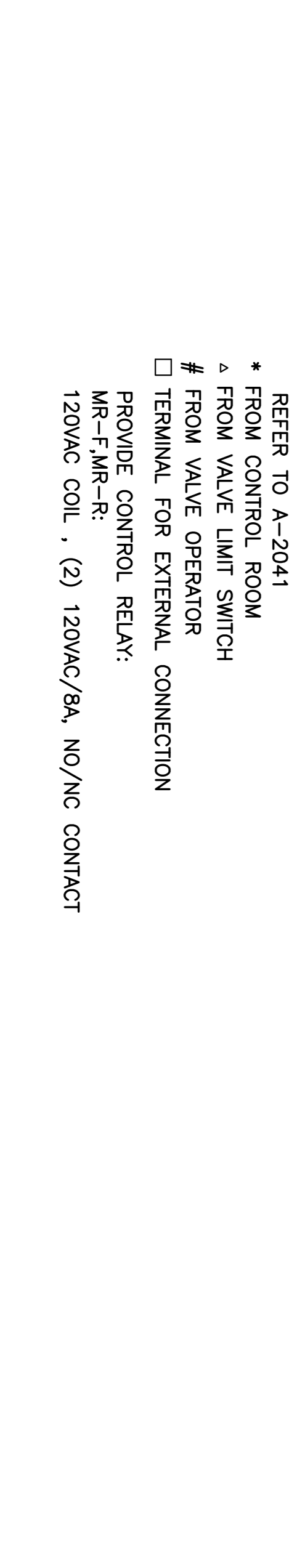
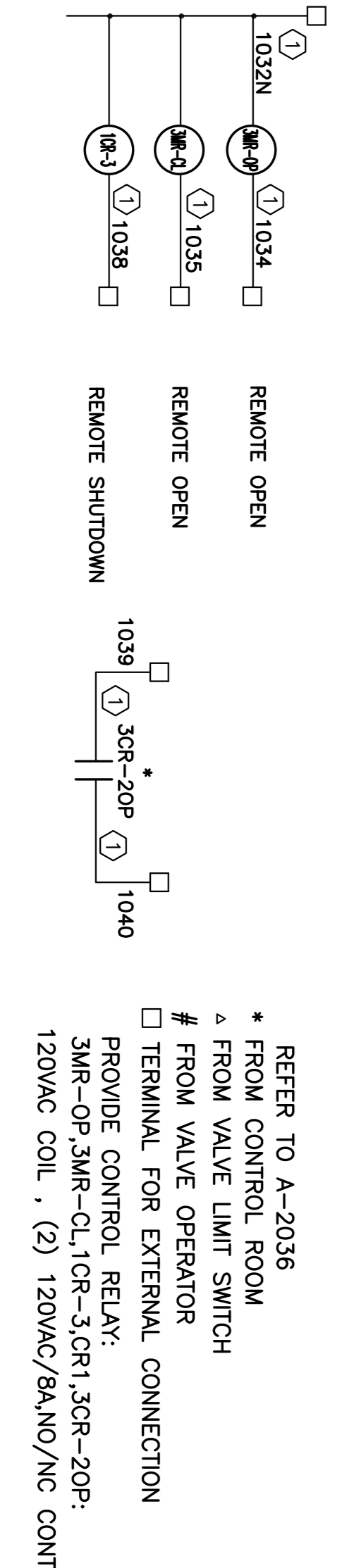
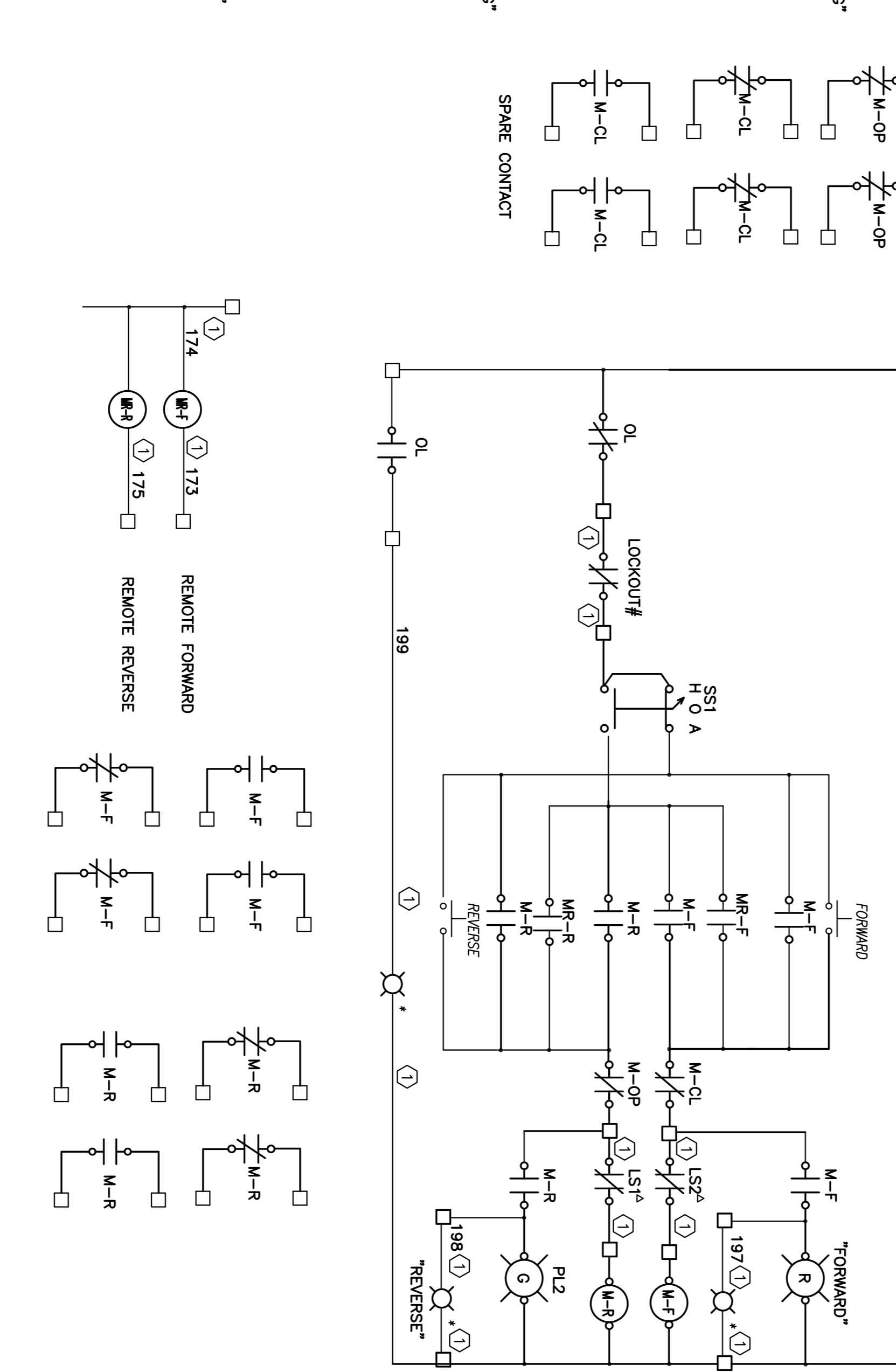
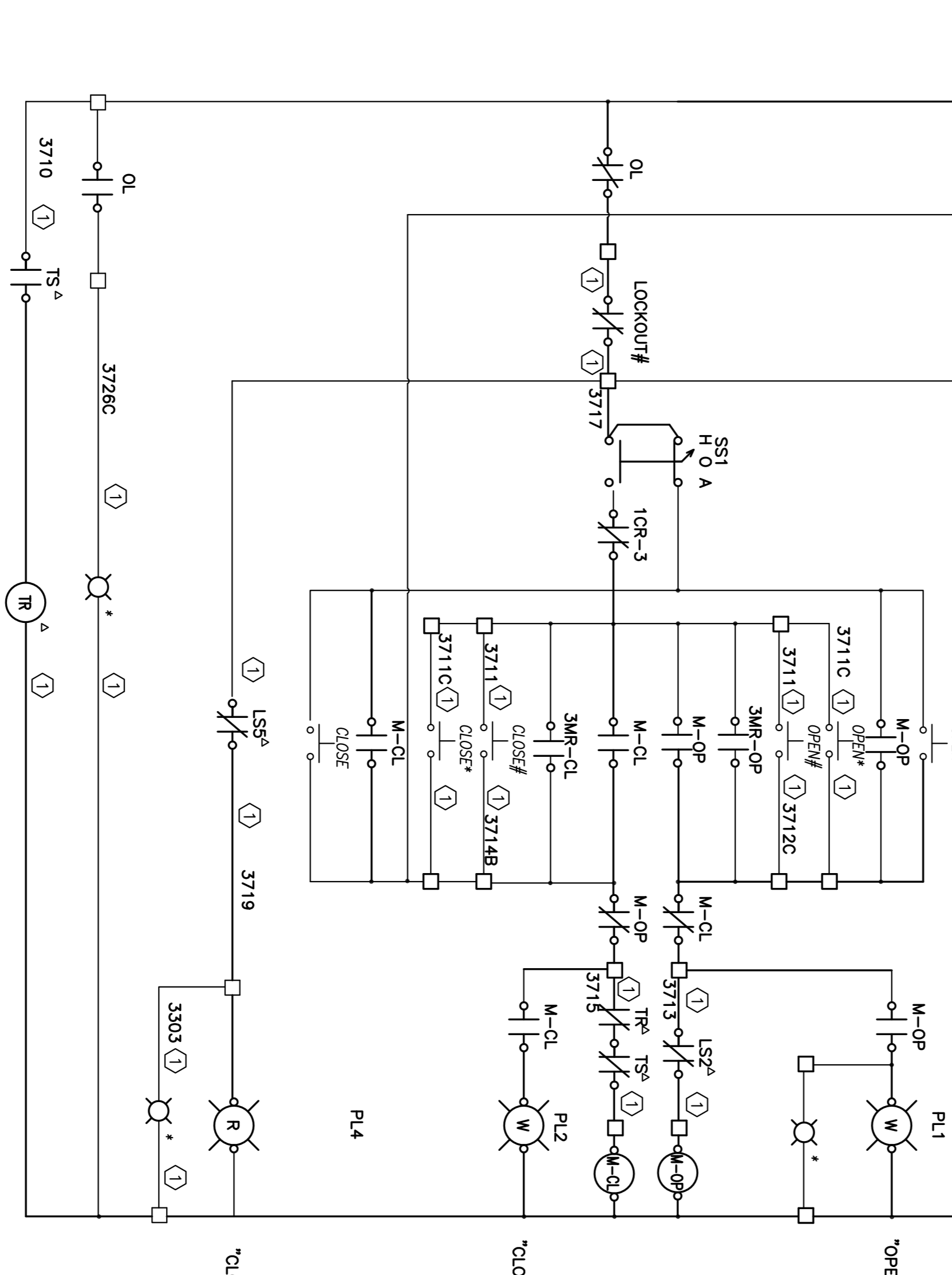
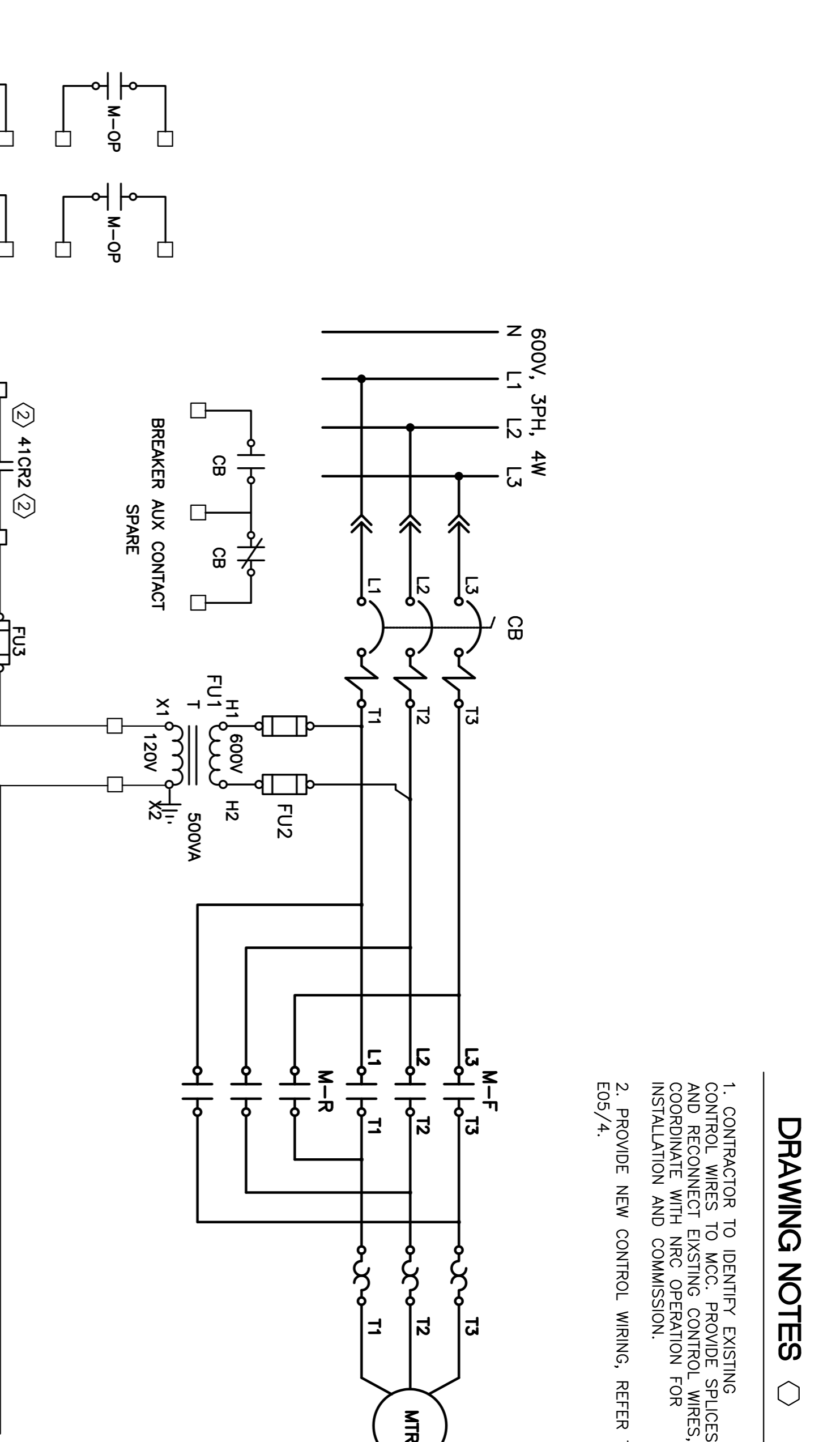
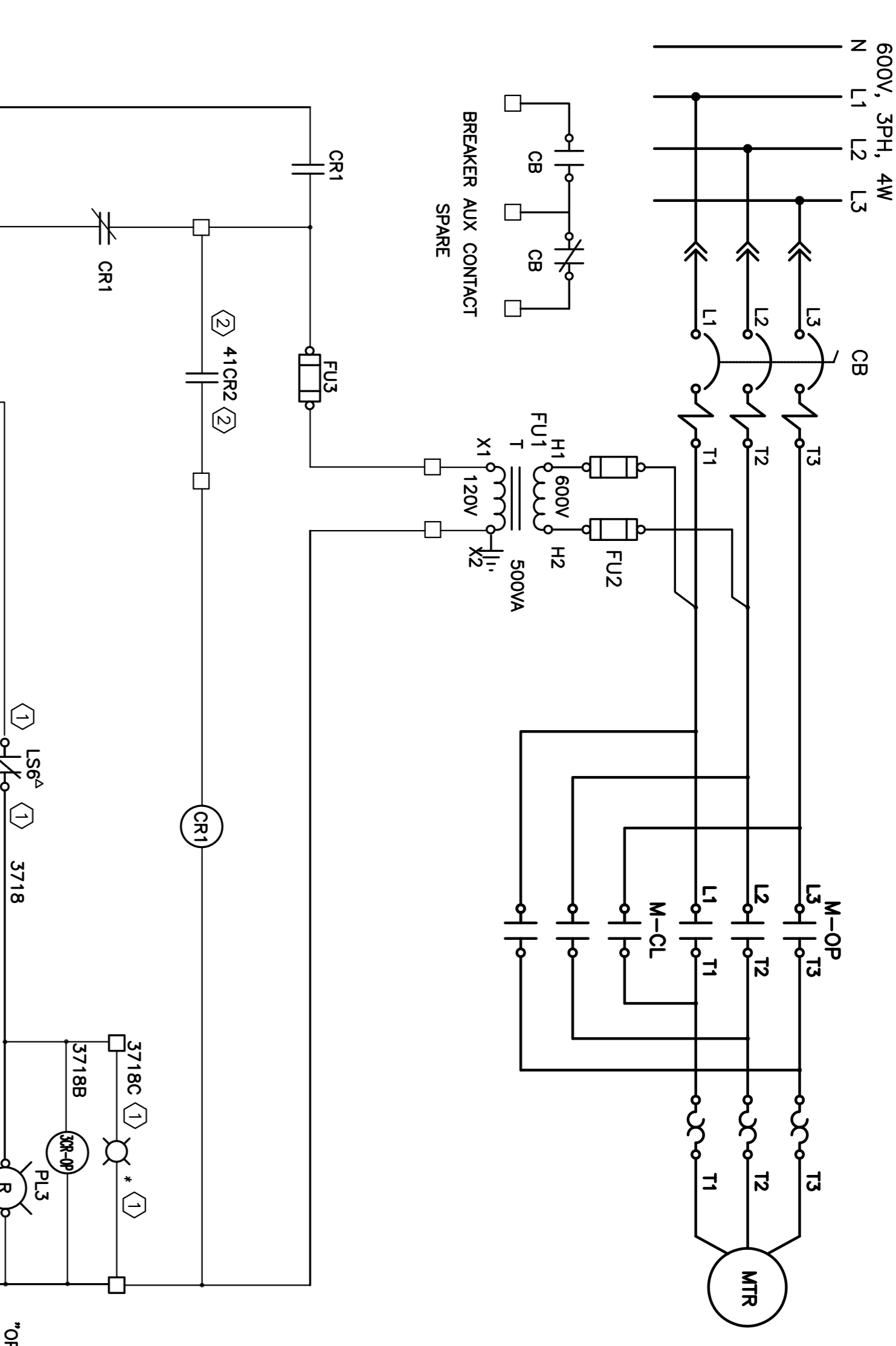
THE WORD "PROVIDE" MEANS SUPPLY, INSTALL, CONNECT AND TEST. MEANS WIRES/CABLE AND TRACED AND WIRING.

K ALL WIRE TO BE IN EMT UNLESS OTHERWISE NOTED.

L COORDINATE ALL SHUTDOWNS WITH THE NRC DEPARTMENTAL REPRESENTATIVE. OUTAGE IS ONLY SCHEDULED DURING WEEKEND OR AFTER HOUR, UNLESS OTHERWISE SPECIFIED BY NRC REPRESENTATIVE. OUTAGE MUST BE CARRIED BETWEEN FRIDAY 1800 AND MONDAY 0300. ANY AFTER HOUR OUTAGE MUST BE CARRIED ALL LOADS TO BE RESUMED AT THE END OF OUTAGE.

M TO USE NRC OWNED CRANE ON SITE. CONTRACTOR IS REQUIRED TO PROVIDE OWN IDENTIFIED CRANE OPERATOR, AND CERTIFY THE CRANE OPERATOR TO THE NRC OPERATOR AS ALTERNATIVE, CONTRACTOR CAN BRING OWN CRANE. CONTRACTOR TO VERIFY INTEGRITY OF EXISTING FACEWAY BY PULLING A BRUSH AND MANDREL BEFORE WIRING.

N ALWAYS PERFORM SCAN BEFORE CORE DRILL. VERIFY PHASING AND ROTATION. MATCH THE EXISTING SYSTEM. RESPONSIBLE FOR REPAIR OF ANY DAMAGES TO ANY EXISTING BUILDING COMPONENT CAUSED BY CONSTRUCTION ACTIVITIES.



REFER TO A-2036  
 \* FROM CONTROL ROOM  
 Δ FROM VALVE LIMIT SWITCH  
 # FROM VALVE OPERATOR  
 □ TERMINAL FOR EXTERNAL CONNECTION  
 PROVIDE CONTROL RELAY:  
 3MR-OP, 3MR-CL, 1CR-3, CR1, 3CR-2OP, 120VAC COIL, (2) 120VAC/8A, NO/NC CONTACT

REFER TO A-2041  
 \* FROM CONTROL ROOM  
 Δ FROM VALVE LIMIT SWITCH  
 # FROM VALVE OPERATOR  
 □ TERMINAL FOR EXTERNAL CONNECTION  
 PROVIDE CONTROL RELAY:  
 MR-F, MR-R, 120VAC COIL, (2) 120VAC/8A, NO/NC CONTACT

1 MCC#1 6 INCH VALVE  
 SCALE: E09

2 MCC#1 MODEL ACCESS PLATFORM  
 SCALE: E09

designed	KXL	checked	KXL
drawn	KXL	approved	DL
date	OCT/2016	sheet	E09 of/4e
scale	NTS	drawn by	E10
date		approved by	A1-006434-01
drawing no.	5280-E09	drawing no.	

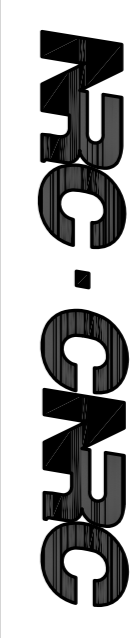
No.	Date	Revision	By:
1	NOV/7/2016	ISSUED FOR ADDENDUM #2	KXL
0	OCT/24/2016	ISSUED FOR TENDER	KXL
Date Printed: DD MM YYYY			

Project	Building 003 Electrical Upgrade
Location	UPLANDS ROAD CAMPUS
Sheet	MCC CONTROL CIRCUIT SHEET 5

A	Detail no.	A
B	No. du detail	B
C	Location drawing no.	C
	sur dessin no.	
	C Drawing no.	
	dessin no.	

Verify all dimensions and site conditions and be responsible for same  
 Vérifier toutes les dimensions et l'état des lieux et en assumer la responsabilité

ASPM A1 (04/15/94)



1. CONTRACTOR TO IDENTIFY EXISTING CONTROL WIRES TO MCC. PROVIDE SPLICES AND RECONNECT EXISTING CONTROL WIRES, COORDINATE WITH NRC OPERATION FOR INSTALLATION AND COMMISSION.

2. PROVIDE NEW CONTROL WIRING, REFER TO E05/4.

**DRAWING NOTES**

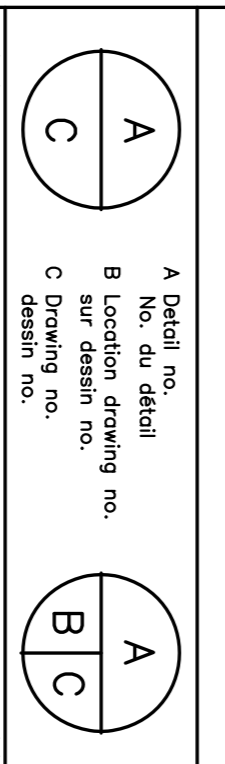
**GENERAL NOTES**

- A. READ THIS DRAWING IN CONNECTION WITH ARCHITECTURAL AND MECHANICAL DRAWINGS AND SPECIFICATIONS.
- B. CONTRACTORS TO CHECK AND VERIFY ALL DIMENSIONS ON SITE PRIOR TO DEMOLITION OR CONSTRUCTION AND REPORT ANY ERRORS OR DISCREPANCIES TO THE NRC DEPARTMENTAL REPRESENTATIVE.
- C. CONTRACTORS MUST VISIT THE SITE & FULLY FAMILIARIZE THEMSELVES WITH THE SCOPE OF THE WORK.
- D. PREVENT THE SPREAD OF DUST & DEBRIS BEYOND THE WORK AREA AND CLEAN ALL SURFACES AT COMPLETION.
- E. MAKE GOOD ALL SURFACES AFFECTED BY THIS FULL-ALL HOLES, PATCH & PAINT ALL SURFACES IN CONTRACT AREA. COLOUR SCHEME TO MATCH EXISTING.
- F. REMOVE MEANS REMOVE AND DISPOSE OF OFF SITE UNLESS OTHERWISE NOTED.
- G. PROVIDE LABELS TO NEW PANELS TO INDICATE POWER SOURCE. UPDATE PANEL SCHEDULES AFTER JOB COMPLETION.
- H. CONNECTED AND TEST? MEANS SUPPLY, INSTALL, CONNECTED AND TEST? MEANS WIRES/CABLE AND RACEWAY WIRING? MEANS WIRES/CABLE AND ALL WIRE TO BE IN EMT UNLESS OTHERWISE NOTED.
- I. COORDINATE ALL SHUTDOWNS WITH THE NRC DEPARTMENTAL REPRESENTATIVE. SHUTDOWNS ARE ONLY SCHEDULED DURING WEEKEND OR AFTER HOUR, UNLESS OTHERWISE SPECIFIED BY NRC REPRESENTATIVE.
- J. REPRESENTATIVE OUTAGE MUST BE CARRIED BETWEEN FRIDAY 1800 AND MONDAY 0300. ANY AFTER HOUR OUTAGE MUST BE CARRIED BETWEEN SAME DAY 1800 AND NEXT DAY 0300. ALL LOADS TO BE RESUMED AT THE END OF OUTAGE.
- K. TO USE NRC OWNED CRANE ON SITE.
- L. CONTRACTOR IS REQUIRED TO PROVIDE OWN IDENTIFIED CRANE OPERATOR, AND CERTIFY THE OPERATOR AS COMPETENT TO OPERATE THE CRANE. AS AN ALTERNATIVE, CONTRACTOR CAN BRING OWN CRANE.
- M. CONTRACTOR TO VERIFY INTEGRITY OF EXISTING RACEWAY BY PULLING A BRUSH AND MANDREL BEFORE WIRING.
- N. ALWAYS PERFORM SCAN BEFORE CORE DRILL.
- O. VERIFY PHASING AND ROTATION. MATCH THE EXISTING SYSTEM.
- P. CONTRACTOR IS RESPONSIBLE FOR REPAIRING ANY DAMAGES TO ANY EXISTING BUILDING COMPONENT CAUSED BY CONSTRUCTION ACTIVITIES.

No.	Date	Revision	By:	Date
1	NOV/7/2016	ISSUED FOR ADDENDUM #2	KXL	
0	OCT/24/2016	ISSUED FOR TENDER	KXL	

Date Printed: 00 MM YYYY Date Imprinted: \_\_\_\_\_

Verify all dimensions and site conditions and be responsible for same.  
 Vérifier toutes les dimensions et l'état des lieux et en assumer la responsabilité.



Project: **BUILDING U06 ROOM 003 ELECTRICAL UPGRADE**

Project: **UPLANDS ROAD CAMPUS**

Drawing: **MCC CONTROL CIRCUIT SHEET 6**

Designed: **KXL** Date: **OCT/2016**

Drawn: **KXL** Scale: **NTS** Echelle: \_\_\_\_\_

Checked: **KXL** Verifier: **E10** Sheet: **E10** of/du: **E10** feuille: \_\_\_\_\_

Approved: **DL** Approved: **A1-006434-01** W.O.no.: \_\_\_\_\_ D.T.no.: \_\_\_\_\_

drawing no.	5280-E10
detail no.	E10

