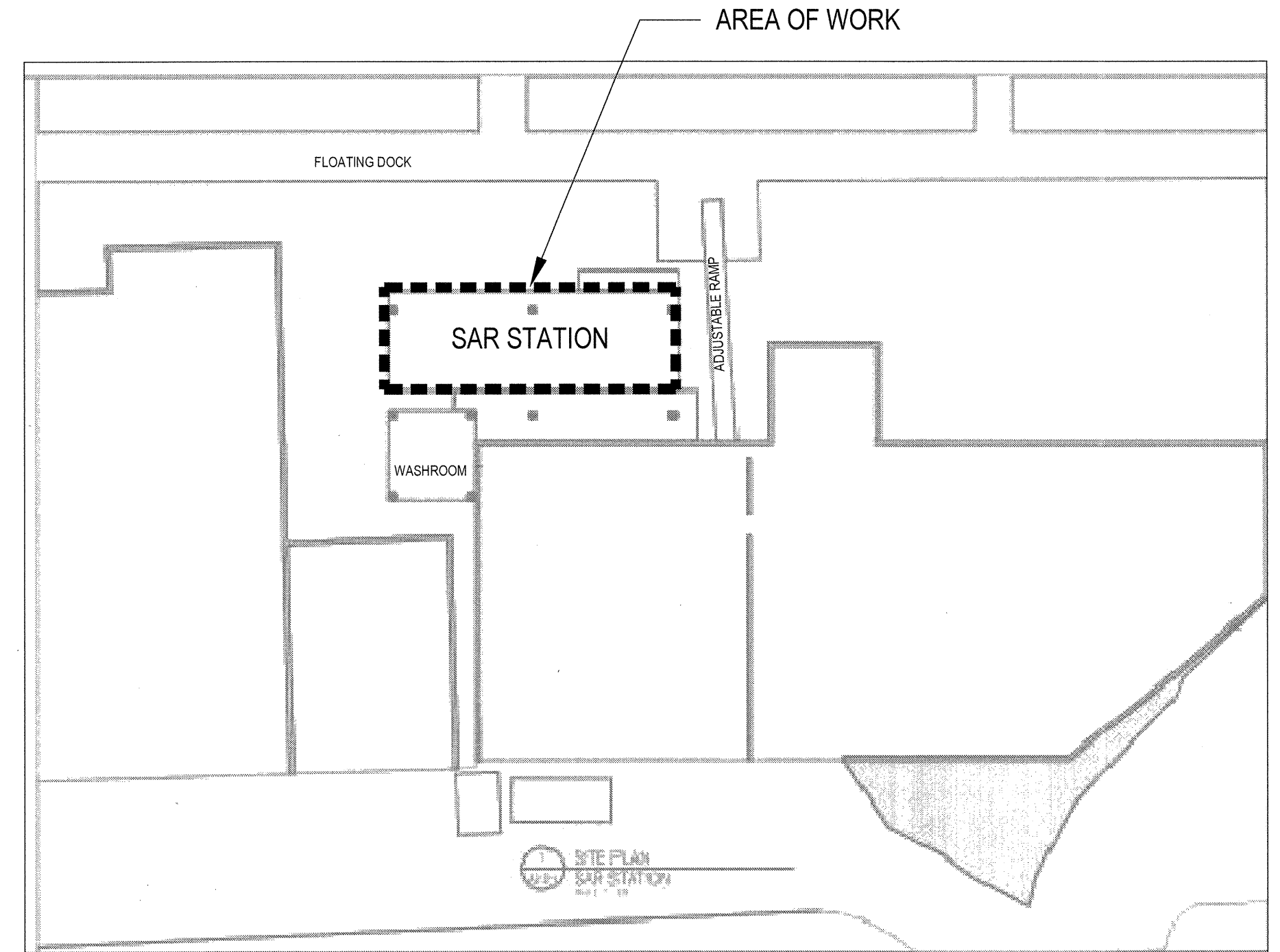


1 LIGHTING LAYOUT
E1.0

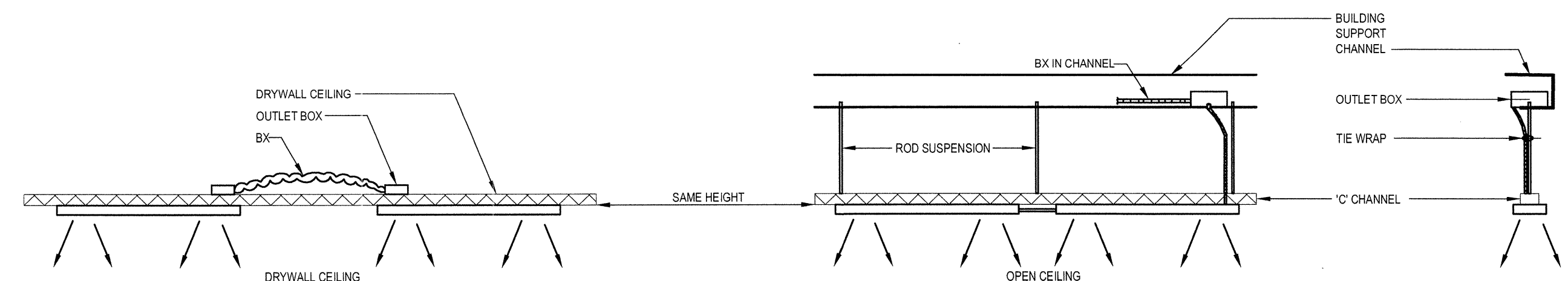
ELECTRICAL SYMBOL LEGEND		
ABBREVIATIONS	POWER	
NOTE: EQUIPMENT SHOWN DOTTED IS EXISTING AND TO REMAIN UNLESS INDICATED OTHERWISE	⊕ SINGLE RECEPTACLE	
LIGHTING		
▭ SURFACE MOUNTED LUMINAIRE	⊕ DUPLEX RECEPTACLE	
— FLUORESCENT STRIP LIGHT	⊕ ABOVE COUNTER 5-20R GFCI DUPLEX RECEPTACLE (T-SLOT)	
○ WALL MOUNTED LIGHT	⊕ 5-20R DUPLEX RECEPTACLE (T-SLOT)	
⊕ SINGLE POLE TOGGLE SWITCH, GANGED AS SHOWN	⊕ GROUND FAULT INTERRUPTER DUPLEX RECEPTACLE	
⊕ THREE WAY TOGGLE SWITCH	⊕ WP WEATHER PROOF	
⊕ VACANCY SWITCH	⊕ MECHANICAL EQUIPMENT DIRECT CONNECTION	
⊕ DIMMER SWITCH	⊕ MECHANICAL MOTOR CONNECTION	
⊕ OCCUPANCY SENSOR, WALL MOUNTED	⊕ DISCONNECT SWITCH	
⊕ OCCUPANCY SENSOR, CEILING MOUNTED	— PANEL BOARD	
⊕ EXIT SIGN PICTOGRAM STYLE - ARROWS AS INDICATED	— CONDUIT RUN UP	
⊕ DUAL HEAD LED 12V LED LIGHT	COMMUNICATIONS	
⊕ 12V EMERGENCY BATTERY	⊕ COMBINATION TELEPHONE AND DATA OUTLET, WALL MOUNTED	

LUMINAIRE SCHEDULE:

	TYPE 'A' SURFACES AND SUSPENDED 1200mm LONG LED LUMINAIRE COMPLETE WITH FROSTED LENS, 4000 LUMENS, 35K, 120V, 0-10V DIMMING
	TYPE 'A1' SAME AS TYPE 'A' EXCEPT 900mm LONG.
	TYPE 'B' SURFACE LED WITH LOW PROFILE, 35K, 1000 LUMENS, WHITE, WET LOCATION
	TYPE 'C' MINI WALL PACK, 1000L, 4000K, 120V, PHOTO CELL AND BRONZE FINISH
	TYPE 'D' WALL MOUNTED LED MICRO FLOOD LIGHT, 4000K, 120V, BRONZE FINISH
	EXIT GREEN PICTOGRAM STYLE (RUNNING MAN) WITH EMERGENCY BATTERY BACK-UP



2 SITE PLAN
E1.0 NOT TO SCALE



3 LUMINAIRE MOUNTING DETAIL
E1.0 NOT TO SCALE

Revision/Revisions	Description/Description	Date/Date
3	TENDER	16/09/19
2	95% SUBMISSION	16/08/21
1	60% SUBMISSION	16/07/21

Client/client

**FISHERIES AND OCEANS,
REAL PROPERTY,
SAFETY AND SECURITY**

VANCOUVER, BC
200-401 BURRARD ST.

Project title/Titre du projet
**FAIRVIEW HARBOUR
PRINCE RUPERT, B.C.**

**PRINCE RUPERT
SAR STATION**

Consultant Signature Box Only

Designed by/Concept par
CT

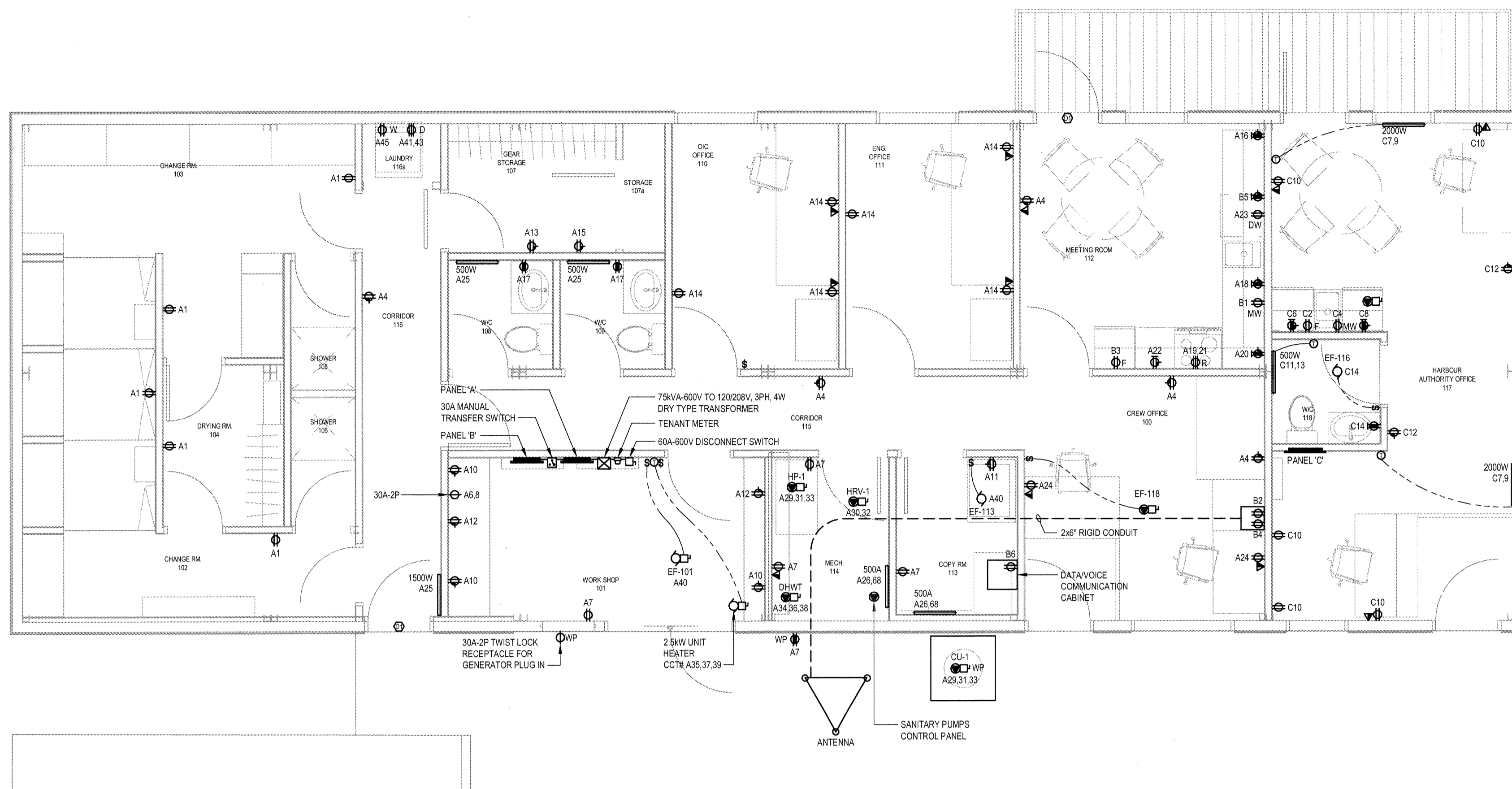
Drawn by/Dessine par
RAJ

PWGSC Project Manager/Administrateur de Projets TFSGC

PWGSC, Regional Manager, Architectural and Engineering Services/
Gestionnaire régionale, Services d'architecture et de génie, TFSGC
PREETIPAL PAUL

Drawing title/Titre du dessin
**SITE PLAN, LIGHTING SYSTEMS
SCHEDULES, LEGEND
AND MOUNTING DETAILS**

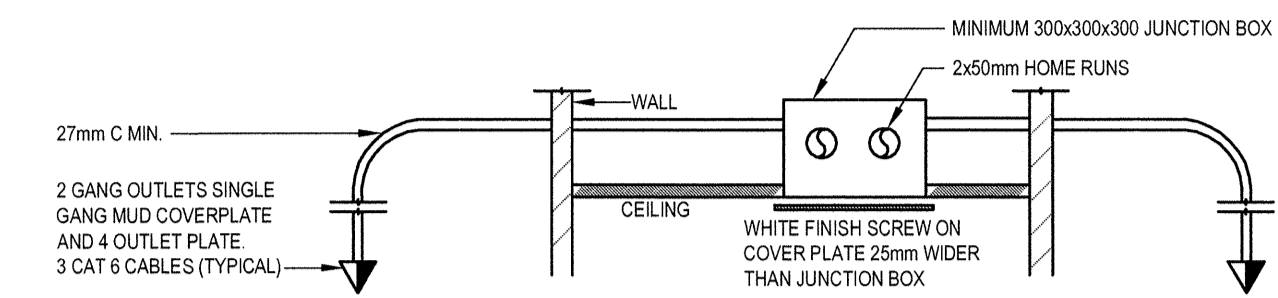
Project No./No. du projet	Sheet/Feuille	Revision no./ La Révision no.
R.000000.000	E1.0 OF 3	3



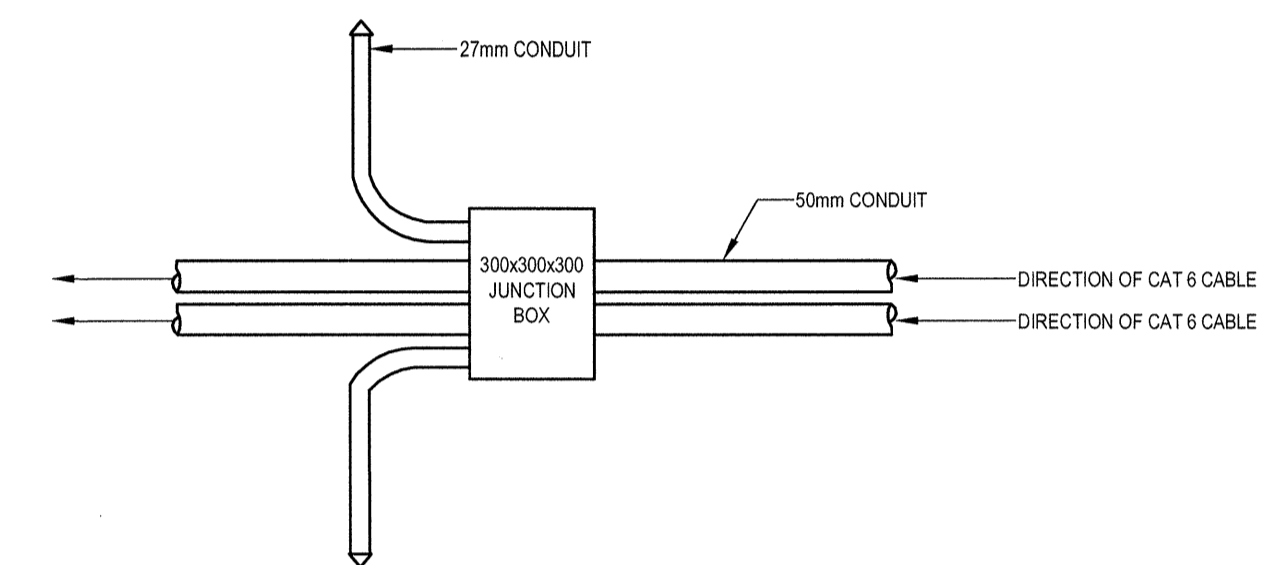
1 ELECTRICAL LAYOUT
E2.0 NOT TO SCALE

ACCESS DOOR CONTROL NOTES:

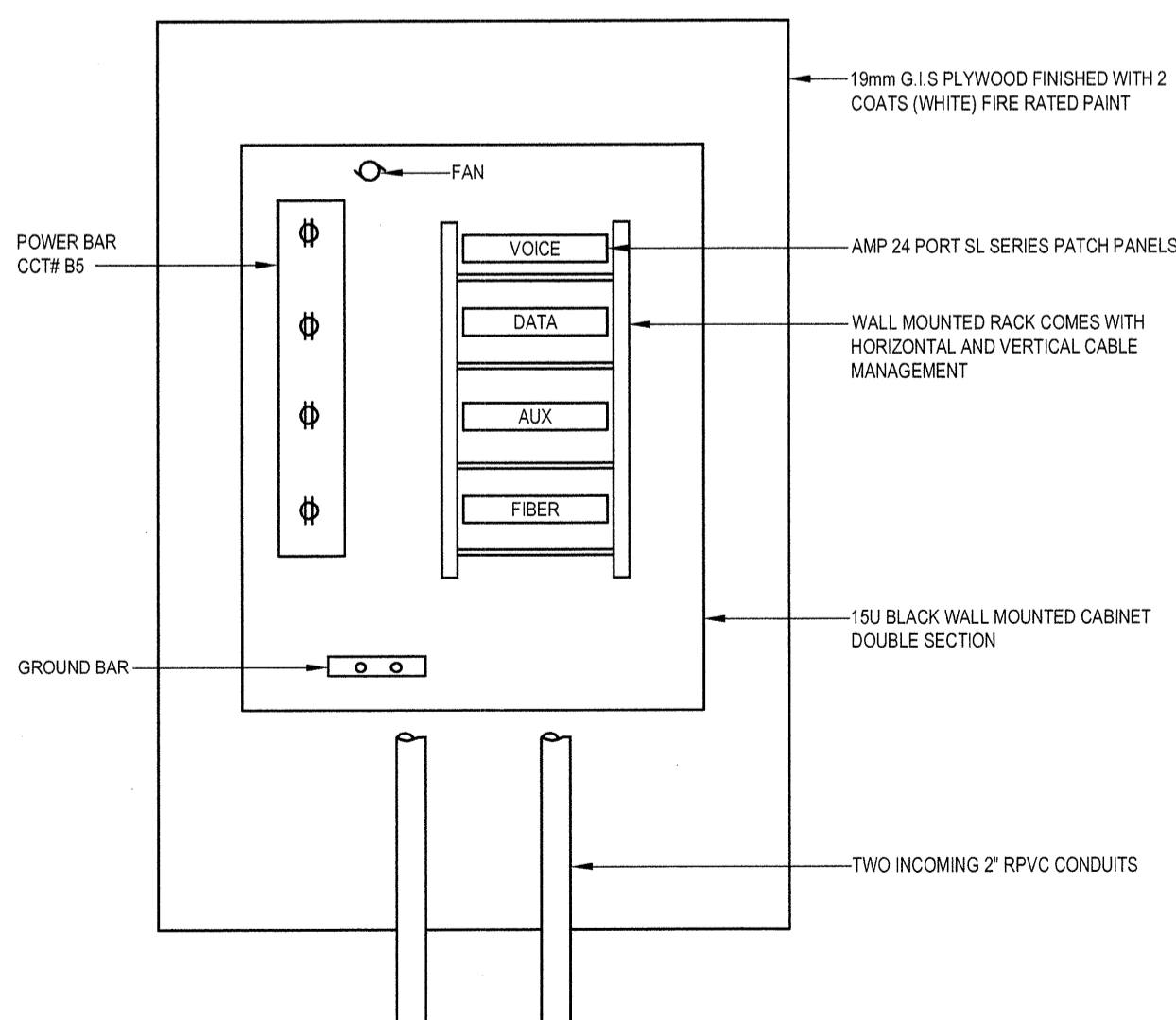
1. PROVIDE A COMPLETE INSTALLATION FOR ACCESS DOOR SYSTEM INCLUDING CONTROLS, READERS, FOBs AND ELECTRIC STRIKES
2. ELECTRIC STRIKES - RUTHERFORD CONTROL'S SERIES 7 ADJUSTABLE
3. ACCESS CONTROL FOBs AND READER - ICT SECURITY



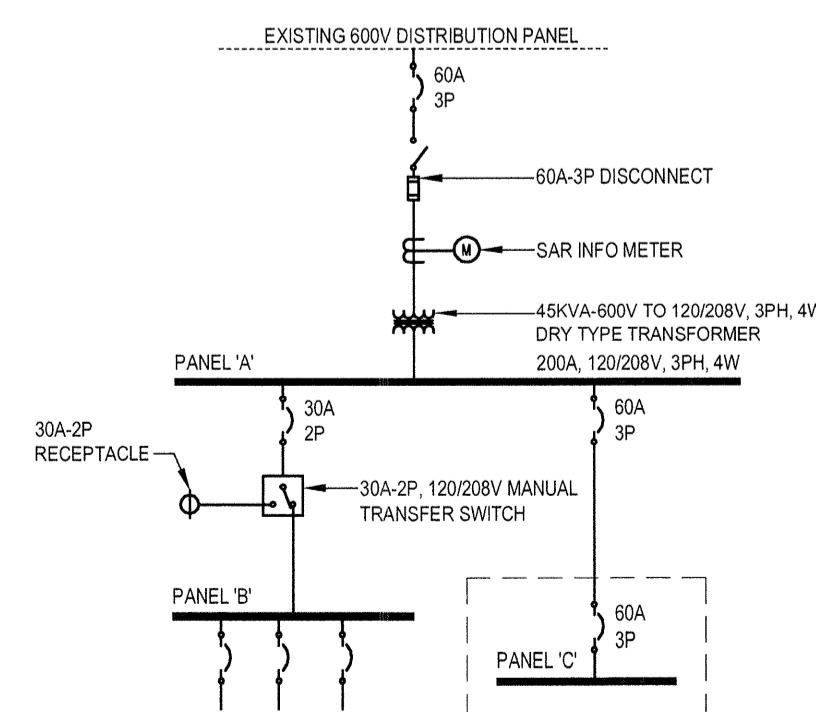
2 SECTION DETAIL
E2.0 NOT TO SCALE



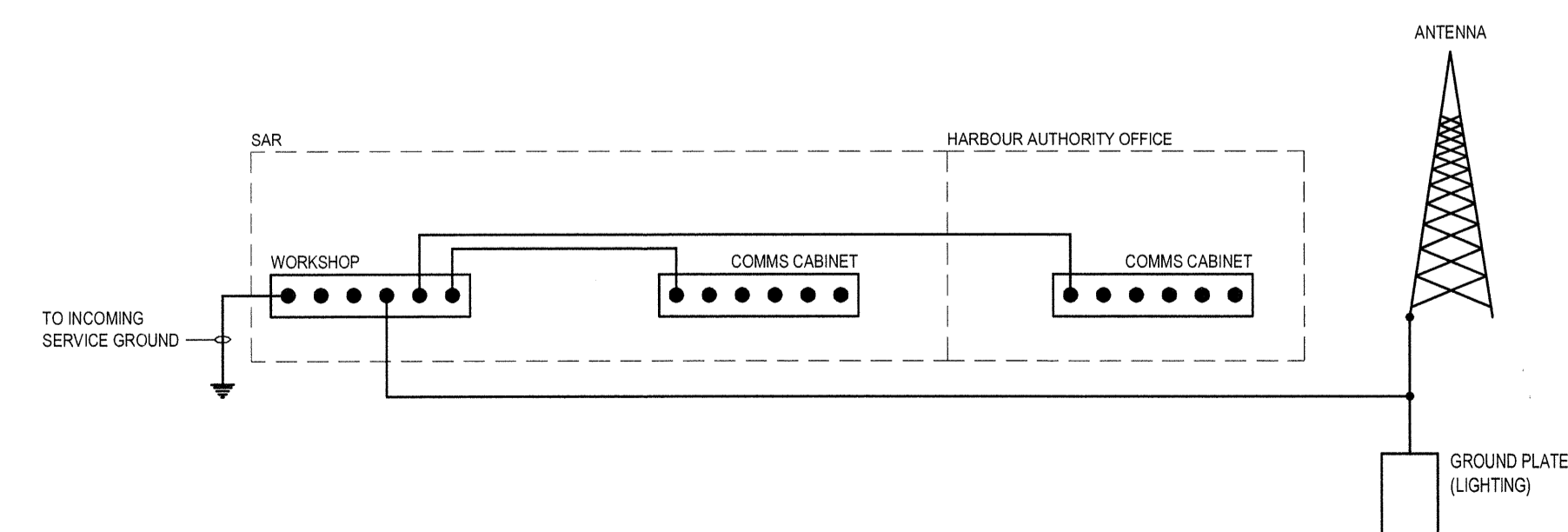
3 COMMUNICATION DETAIL
E2.0 NOT TO SCALE



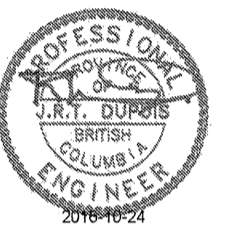
4 DATAVOICE COMMUNICATION CABINET
E2.0 NOT TO SCALE



5 DISTRIBUTION DIAGRAM
E2.0 NOT TO SCALE



6 GROUNDING DETAIL
E2.0 NOT TO SCALE



Revision/Revisions	Description/Description	Date/Date
3	TENDER	16/09/19
2	95% SUBMISSION	16/08/21
1	60% SUBMISSION	16/07/21

Client/client

FISHERIES AND OCEANS,
REAL PROPERTY,
SAFETY AND SECURITY

VANCOUVER, BC
200-401 BURRARD ST.

Project title/Titre du projet
FAIRVIEW HARBOUR
PRINCE RUPERT, B.C.

PRINCE RUPERT
SAR STATION

Consultant Signature Box Only

Designed by/Concept par

CT

Drawn by/Dessiné par

RAJ

PWSSC Project Manager/Administrateur de Projets TPSSC

PWSSC Regional Manager, Architectural and Engineering Services/
Gestionnaire régionale, Services d'architecture et de génie, TPSSC
PREETIPAL PAUL

Drawing title/Titre du dessin

ELECTRICAL POWER
SYSTEMS LAYOUT AND
DETAILS

Project No./No. du projet

R.000000.000

Sheet/Feuille

E2.0

OF 3

Revision no./
La Révision no.

3

PANELBOARD SCHEDULE

JOB NO/NAME : 1-16-092/PRINCE RUPERT SAR
 PANEL : A
 SYSTEM : 120/208V, 3PH
 TYPE : LOAD CENTRE
 LOCATION : WOODWORKING
 MOUNTING : SURFACE
 NO. CIRCUITS : 60
 BUS SIZE : 200
 SYM. FAULT RATING : 10,000A

DESCRIPTION	BRK	POLE	CCT	CT	POLE	BRK	DESCRIPTION
LIGHTING	15	1	01	02	1	15	RECEPTABLES
LIGHTING	15	1	03	04	1	20	RECEPTABLES
LIGHTING	15	1	05	06	2	30	WORKSHOP
RECEPTABLES	15	1	07	08			
RECEPTABLES	15	1	09	10	1	20	RECEPTABLES
COPY	20	1	11	12	1	20	RECEPTABLES
GLOVE DRYER	20	1	13	14	1	15	RECEPTABLES
GLOVE DRYER	20	1	15	16	1	20	RECEPTABLES
RECEPTABLE	15	1	17	18	1	20	RECEPTABLES
STOVE	50	2	19	20	1	20	RECEPTABLES
			21	22	1	20	RECEPTABLES
DISHWASHER	15	1	23	24	1	15	RECEPTABLES
HEATING	20	2	25	26	2	15	HEATING
			27	28			
HRV-CU-1	30	3	29	30	2	15	HRV-1
			31	32			
UNIT HEATER	20	3	33	34	3	20	DHWT
			35	36			
			37	38			
DRYER	30	2	39	40	1	15	EF-1, 113
			41	42	1	15	EXIT SIGNS
			43	44			
WASHER	15	1	45	46			
			47	48			
			49	50			
			51	52			
			53	54			
			55	56			
			57	58			
			59	60			

* GFCI Breaker
 ** Arc Fault Breaker

PANEL CW 200A - 3P MAIN BREAKER

PANELBOARD SCHEDULE

JOB NO/NAME : 1-16-092/PRINCE RUPERT SAR
 PANEL : B (PORTABLE GENERATOR)
 SYSTEM : 120/208V, 1PH
 TYPE : LOAD CENTRE
 LOCATION : WOODWORKING
 MOUNTING : SURFACE
 NO. CIRCUITS : 12
 BUS SIZE : 60
 SYM. FAULT RATING : 10,000A

DESCRIPTION	BRK	POLE	CCT	CT	POLE	BRK	DESCRIPTION
MICROWAVE	15	1	01	02	1	15	RADIO
FRIDGE	15	1	03	04	1	15	RADIO
COUNTER RECEPTACLE	20	1	05	06	1	15	COMMUNICAITION
SPARE	15	1	07	08	1	15	LIGHTS
SPARE	15	1	09	10	1	15	EMERGENCY BATTERY
			11	12			

* GFCI Breaker
 ** Arc Fault Breaker

PANEL CW 30A - 2P MAIN BREAKER

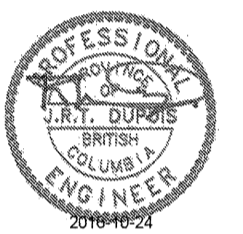
PANELBOARD SCHEDULE

JOB NO/NAME : 1-16-092/PRINCE RUPERT SAR
 PANEL : C (HARBOUR AUTHORITY)
 SYSTEM : 120/208V, 3PH
 TYPE : LOAD CENTRE
 LOCATION : HARBOUR AUTHORITY OFFICE
 MOUNTING : FLUSH
 NO. CIRCUITS : 42
 BUS SIZE : 100
 SYM. FAULT RATING : 10,000A

DESCRIPTION	BRK	POLE	CCT	CT	POLE	BRK	DESCRIPTION
24 HOUR LIGHTING	15	1	01	02	1	15	FRIDGE
LIGHTING	15	1	03	04	1	15	MICROWAVE
DHWT	20	1	05	06	1	20	COUNTER RECEPTACLE
HEATING	30	2	07	08	1	20	COUNTER RECEPTACLE
			09	10	1	15	RECEPTACLE
HEATING	15	2	11	12	1	20	RECEPTACLE
			13	14	1	15	RECEPTACLE
			15	16			
			17	18			
			19	20			
			21	22			
			23	24			
			25	26			
			27	28			
			29	30			
			31	32			
			33	34			
			35	36			
			37	38			
			39	40			
			41	42			

* GFCI Breaker
 ** Arc Fault Breaker

PANEL CW 60A - 3P MAIN BREAKER



Revision/Revision	Description/Description	Date/Date
3	TENDER	16/09/19
2	95% SUBMISSION	16/08/21
1	60% SUBMISSION	16/07/21

Client/Client
FISHERIES AND OCEANS, REAL PROPERTY, SAFETY AND SECURITY
 VANCOUVER, BC
 200-401 BURRARD ST.

Project title/Titre du projet
FAIRVIEW HARBOUR PRINCE RUPERT, B.C.

PRINCE RUPERT SAR STATION

Consultant Signature Box Only
 Designed by/Concept par
CT
 Drawn by/Dessine par
RAJ
 PWGSC Project Manager/Administrateur de Projets TPSCG

PWGSC, Regional Manager, Architectural and Engineering Services / Gestionnaire régionale, Services d'architecture et de génie, TPSCG
PRETIPAL PAUL

Drawing title/Titre du dessin
PANEL SCHEDULES AND LOAD CALCULATIONS

Project No./No. du projet	Sheet/Feuille	Revision no./La Révision no.
R.000000.000	E3.0	3
	OF 3	

MECHANICAL EQUIPMENT SCHEDULE

Q	DESCRIPTION	EQUIPMENT LOCATION	LOAD			VOLTS	PHASE	UNIT					STARTER				DISC				CONTROL				SUPPLY PANEL				WIRE & CONDUIT				NOTE
			MCA	KW	HP			SUPPLY	MOUNT	CONNECT	SUPPLY	MOUNT	CONNECT	TYPE	SUPPLY	MOUNT	CONNECT	TYPE	FACE ALARM	PANEL #	PANEL LOCATION	BREAKER	AMPS	P	CCT NOS	WIRE SIZE	NO. OF WIRING DEVICES (FEE)	CONDUIT SIZE (mm)	TOTAL AMPS				
																														UNIT	STARTER	DISC	
HP-1	3.5 TON SPLIT HEAT PUMP	114	-	-	-	-	1	M	M	E	E	E	E	E	E	E	M	M	M	-	-	-	-	-	-	30	3	-	-	10	19	-	1
CU-1	3.5 TON SPLIT COOLING UNIT	OUTSIDE	-	-	-	-	1	M	M	E	E	E	E	E	E	E	M	M	M	-	-	-	-	-	-	-	-	-	-	-	-	-	1
HRV-1	HEAT RECOVERY VENTILATION	114	-	0.5	-	208	1	M	M	E	E	E	E	E	E	E	M	M	M	-	-	-	-	-	-	20	2	-	-	12	3	19	-
EF-101	WORKSHOP EXHAUST FAN	101	-	-	FHP	120	1	M	M	E	E	E	E	E	E	E	M	M	M	-	-	-	-	-	-	15	1	-	-	12	2	19	-
EF-113	COPY ROOM EXHAUST FAN	113	-	-	FHP	120	1	M	M	E	E	E	E	E	E	E	M	M	M	-	-	-	-	-	-	15	1	-	-	12	2	19	-
EF-118	WASH ROOM EXHAUST FAN	118	-	-	FHP	120	1	M	M	E	E	E	E	E	E	E	M	M	M	-	-	-	-	-	-	15	1	-	-	12	2	19	-
DHWT-1	SAR DOMESTIC HOT WATER TANK	114	-	4.5	-	208	3	M	M	E	-	-	-	-	-	-	-	-	-	-	-	-	-	-	-	20	3	-	-	12	4	19	-
DHWT-2	HARBOUR DOMESTIC HOT WATER TANK	118	-	1.5	-	120	1	M	M	E	-	-	-	-	-	-	-	-	-	-	-	-	-	-	-	20	1	-	-	12	2	19	-
UH	WORKSHOP UNIT HEATER	101	-	2.5	-	208	1	E	E	E	E	E	E	E	E	E	E	T	-	-	-	-	-	-	-	20	3	-	-	12	4	-	-

LEGEND
 M = DENOTES BY MECHANICAL CONTRACTOR
 E = DENOTES BY ELECTRICAL CONTRACTOR
 T = THERMOSTAT
 TS = THERMIST SWITCH
 HOA = MAGNETIC STARTER WITH HAND-OFF-AUTO SELECTOR
 MAG = MAGNETIC STARTER WITH AUX STATUS CONTACTS
 MAN = MANUAL STARTER
 C.P. = CONTROL PANEL

NOTES
 1. HP-1 AND CU-1 ARE FED FROM THE SAME CIRCUIT

PRINCE RUPERT - CODE LOAD

AREA - 167m ²	
167m ² x 50W/m ²	= 8350W
STOVE	= 8000W
FRIDGE	= 300W
DRYER	= 500W
MICROWAVE	= 300W
MECHANICAL	= 1000W
ELECTRIC HEAT	= 7500W
OWNER	= 5000W
73500W	
367A	= 106A

