



RETURN BIDS TO:
RETOURNER LES SOUMISSIONS À:
**Bid Receiving Public Works and Government
Services Canada/Réception des soumissions
Travaux publics et Services gouvernementaux
Canada**
1713 Bedford Row
Halifax, N.S./Halifax, (N.É.)
B3J 1T3
Nova Scotia
Bid Fax: (902) 496-5016

**REQUEST FOR PROPOSAL
DEMANDE DE PROPOSITION**

**Proposal To: Public Works and Government
Services Canada**

We hereby offer to sell to Her Majesty the Queen in right of Canada, in accordance with the terms and conditions set out herein, referred to herein or attached hereto, the goods, services, and construction listed herein and on any attached sheets at the price(s) set out therefor.

**Proposition aux: Travaux Publics et Services
Gouvernementaux Canada**

Nous offrons par la présente de vendre à Sa Majesté la Reine du chef du Canada, aux conditions énoncées ou incluses par référence dans la présente et aux annexes ci-jointes, les biens, services et construction énumérés ici sur toute feuille ci-annexée, au(x) prix indiqué(s).

Comments - Commentaires

Title - Sujet Sub-sea Buoyancy Assemblies	
Solicitation No. - N° de l'invitation F5956-160440/A	Date 2016-11-22
Client Reference No. - N° de référence du client F5956-16-0440	
GETS Reference No. - N° de référence de SEAG PW-\$HAL-409-9986	
File No. - N° de dossier HAL-6-77174 (409)	CCC No./N° CCC - FMS No./N° VME
Solicitation Closes - L'invitation prend fin at - à 02:00 PM on - le 2016-12-14	Time Zone Fuseau horaire Atlantic Standard Time AST
F.O.B. - F.A.B. Plant-Usine: <input type="checkbox"/> Destination: <input checked="" type="checkbox"/> Other-Autre: <input type="checkbox"/>	
Address Enquiries to: - Adresser toutes questions à: Taylor, Kathie	Buyer Id - Id de l'acheteur hal409
Telephone No. - N° de téléphone (902) 496-5510 ()	FAX No. - N° de FAX (902) 496-5016
Destination - of Goods, Services, and Construction: Destination - des biens, services et construction: DEPARTMENT OF FISHERIES AND OCEANS BEDFORD INST.OC VULCAN BLDG VG-05 SEE HEREIN DARTMOUTH NOVA SCOTIA B2Y4A2 Canada	

Instructions: See Herein

Instructions: Voir aux présentes

Vendor/Firm Name and Address

**Raison sociale et adresse du
fournisseur/de l'entrepreneur**

Issuing Office - Bureau de distribution

Atlantic Region Acquisitions/Région de l'Atlantique
Acquisitions
1713 Bedford Row
Halifax, N.S./Halifax, (N.É.)
B3J 3C9
Nova Scot

Delivery Required - Livraison exigée See Herein	Delivery Offered - Livraison proposée
Vendor/Firm Name and Address Raison sociale et adresse du fournisseur/de l'entrepreneur	
Telephone No. - N° de téléphone Facsimile No. - N° de télécopieur	
Name and title of person authorized to sign on behalf of Vendor/Firm (type or print) Nom et titre de la personne autorisée à signer au nom du fournisseur/ de l'entrepreneur (taper ou écrire en caractères d'imprimerie)	
Signature	Date

TABLE OF CONTENTS

<u>PART 1 - GENERAL INFORMATION</u>	2
<u>1.1 SECURITY REQUIREMENTS</u>	2
<u>1.2 REQUIREMENT</u>	2
<u>1.3 DEBRIEFINGS</u>	2
<u>PART 2 - BIDDER INSTRUCTIONS</u>	2
<u>2.1 STANDARD INSTRUCTIONS, CLAUSES AND CONDITIONS</u>	2
<u>2.2 SUBMISSION OF BIDS</u>	2
<u>2.3 ENQUIRIES - BID SOLICITATION</u>	2
<u>2.4 APPLICABLE LAWS</u>	3
<u>PART 3 - BID PREPARATION INSTRUCTIONS</u>	3
<u>3.1 BID PREPARATION INSTRUCTIONS</u>	3
<u>PART 4 - EVALUATION PROCEDURES AND BASIS OF SELECTION</u>	4
<u>4.1 EVALUATION PROCEDURES</u>	4
<u>4.2 BASIS OF SELECTION</u>	4
<u>PART 5 – CERTIFICATIONS AND ADDITIONAL INFORMATION</u>	4
<u>5.1 CERTIFICATIONS PRECEDENT TO CONTRACT AWARD AND ADDITIONAL INFORMATION</u>	4
<u>PART 6 - RESULTING CONTRACT CLAUSES</u>	5
<u>6.1 SECURITY REQUIREMENTS</u>	5
<u>6.2 REQUIREMENT</u>	5
<u>6.3 STANDARD CLAUSES AND CONDITIONS</u>	5
<u>6.4 TERM OF CONTRACT</u>	6
<u>6.5 AUTHORITIES</u>	6
<u>6.6 PAYMENT</u>	7
<u>6.7 INVOICING INSTRUCTIONS</u>	7
<u>6.8 CERTIFICATIONS AND ADDITIONAL INFORMATION</u>	7
<u>6.9 APPLICABLE LAWS</u>	8
<u>6.10 PRIORITY OF DOCUMENTS</u>	8
<u>6.11 SACC MANUAL CLAUSES</u>	8

ANNEXES

Annex A – Statement of Requirement	9
Annex B – Basis of Payment	10
Annex C – Cross Reference Data	11

PART 1 - GENERAL INFORMATION

1.1 Security Requirements

There is no security requirement associated with this solicitation.

1.2 Requirement

Fisheries & Oceans Canada, BIO, Dartmouth, NS, has a requirement for Sub-surface Buoyancy Assemblies, manufactured by Deep Water Buoyancy of Biddeford, Maine, USA, as fully detailed in Annex A. No substitute accepted.

Delivery is mandatory on or before March 31, 2017.

B4024T No Substitute Products (2006-08-15)

1.3 Debriefings

Bidders may request a debriefing on the results of the bid solicitation process. Bidders should make the request to the Contracting Authority within 15 working days from receipt of the results of the bid solicitation process. The debriefing may be in writing, by telephone or in person.

1.4 Trade Agreements

This requirement is subject to The Agreement on Internal Trade (AIT)

PART 2 - BIDDER INSTRUCTIONS

2.1 Standard Instructions, Clauses and Conditions

All instructions, clauses and conditions identified in the bid solicitation by number, date and title are set out in the *Standard Acquisition Clauses and Conditions Manual* (<https://buyandsell.gc.ca/policy-and-guidelines/standard-acquisition-clauses-and-conditions-manual>) issued by Public Works and Government Services Canada.

Bidders who submit a bid agree to be bound by the instructions, clauses and conditions of the bid solicitation and accept the clauses and conditions of the resulting contract.

The 2003 (2016-04-04) Standard Instructions - Goods or Services - Competitive Requirements, are incorporated by reference into and form part of the bid solicitation.

2.2 Submission of Bids

Bids must be submitted only to Public Works and Government Services Canada (PWGSC) Bid Receiving Unit by the date, time and place indicated on page 1 of the bid solicitation.

2.3 Enquiries - Bid Solicitation

All enquiries must be submitted in writing to the Contracting Authority no later than seven (7) calendar days before the bid closing date. Enquiries received after that time may not be answered.

Bidders should reference as accurately as possible the numbered item of the bid solicitation to which the enquiry relates. Care should be taken by Bidders to explain each question in sufficient detail in order to enable Canada to provide an accurate answer. Technical enquiries that are of a proprietary nature must be clearly marked "proprietary" at each relevant item. Items identified as "proprietary" will be treated as such except where Canada determines that the enquiry is not of a proprietary nature. Canada may edit the question(s) or may request that the Bidder do so, so that the proprietary nature of the question(s) is eliminated, and the enquiry can be answered to all Bidders. Enquiries not submitted in a form that can be distributed to all Bidders may not be answered by Canada.

2.4 Applicable Laws

Any resulting contract must be interpreted and governed, and the relations between the parties determined, by the laws in force in Nova Scotia.

Bidders may, at their discretion, substitute the applicable laws of a Canadian province or territory of their choice without affecting the validity of their bid, by deleting the name of the Canadian province or territory specified and inserting the name of the Canadian province or territory of their choice. If no change is made, it acknowledges that the applicable laws specified are acceptable to the Bidders.

PART 3 - BID PREPARATION INSTRUCTIONS

3.1 Bid Preparation Instructions

Canada requests that Bidders provide their bid in separately bound sections as follows:

Section I: Technical Bid (two hard copies)
Section II: Financial Bid (one hard copy)
Section III: Certifications (one hard copy)

Prices must appear in the financial bid only. No prices must be indicated in any other section of the bid.

Canada requests that Bidders follow the format instructions described below in the preparation of their bid:

- (a) use 8.5 x 11 inch (216 mm x 279 mm) paper;
- (b) use a numbering system that corresponds to the bid solicitation.

In April 2006, Canada issued a policy directing federal departments and agencies to take the necessary steps to incorporate environmental considerations into the procurement process [Policy on Green Procurement](http://www.tpsgc-pwgsc.gc.ca/ecologisation-greening/achats-procurement/politique-policy-eng.html) (<http://www.tpsgc-pwgsc.gc.ca/ecologisation-greening/achats-procurement/politique-policy-eng.html>). To assist Canada in reaching its objectives, Bidders should:

- 1) use 8.5 x 11 inch (216 mm x 279 mm) paper containing fibre certified as originating from a sustainably-managed forest and containing minimum 30% recycled content; and
- 2) use an environmentally-preferable format including black and white printing instead of colour printing, printing double sided/duplex, using staples or clips instead of cerlox, duotangs or binders.

Section I: Technical Bid

In their technical bid, Bidders shall explain and demonstrate how they propose to meet the requirements and how they will carry out the Work.

Section II: Financial Bid

Bidders must submit their financial bid in accordance with the Basis of Payment. The total amount of Applicable Taxes must be shown separately.

Section III: Certifications

Bidders must submit the certifications and additional information required under Part 5.

3.2 SACC Manual Clauses

B100T Condition of Material (2014-06-26)

PART 4 - EVALUATION PROCEDURES AND BASIS OF SELECTION

4.1 Evaluation Procedures

- (a) Bids will be assessed in accordance with the entire requirement of the bid solicitation including the technical and financial evaluation criteria.
- (b) An evaluation team composed of representatives of Canada will evaluate the bids.

4.1.1 Technical Evaluation

4.1.1.1 Mandatory Technical Criteria

Fully detailed in Annex A

4.1.2 Financial Evaluation

The price of the bid will be evaluated in Canadian dollars, Applicable Taxes excluded, FOB destination, Canadian customs duties and excise taxes included.

4.2 Basis of Selection

A bid must comply with the requirements of the bid solicitation and meet all mandatory technical evaluation criteria to be declared responsive. The responsive bid with the lowest evaluated price will be recommended for award of a contract.

PART 5 – CERTIFICATIONS AND ADDITIONAL INFORMATION

Bidders must provide the required certifications and additional information to be awarded a contract.

The certifications provided by Bidders to Canada are subject to verification by Canada at all times. Unless specified otherwise, Canada will declare a bid non-responsive, or will declare a contractor in default if any certification made by the Bidder is found to be untrue whether made knowingly or unknowingly, during the bid evaluation period or during the contract period.

The Contracting Authority will have the right to ask for additional information to verify the Bidder's certifications. Failure to comply and to cooperate with any request or requirement imposed by the Contracting Authority will render the bid non-responsive or constitute a default under the Contract.

5.1 Certifications Precedent to Contract Award and Additional Information

Solicitation No. - N° de l'invitation
F5956-160440/A
Client Ref. No. - N° de réf. du client
F5956-16-0440

Amd. No. - N° de la modif.
File No. - N° du dossier
HAL-6-77174

Buyer ID - Id de l'acheteur
hal409
CCC No./N° CCC - FMS No./N° VME

The certifications and additional information listed below should be submitted with the bid, but may be submitted afterwards. If any of these required certifications or additional information is not completed and submitted as requested, the Contracting Authority will inform the Bidder of a time frame within which to provide the information. Failure to provide the certifications or the additional information listed below within the time frame provided will render the bid non-responsive.

5.1.1 Integrity Provisions – Required Documentation

In accordance with the *Ineligibility and Suspension Policy* (<http://www.tpsgc-pwgsc.gc.ca/ci-if/politique-policy-eng.html>), the Bidder must provide the required documentation, as applicable, to be given further consideration in the procurement process.

5.1.2 Federal Contractors Program for Employment Equity - Bid Certification

By submitting a bid, the Bidder certifies that the Bidder, and any of the Bidder's members if the Bidder is a Joint Venture, is not named on the Federal Contractors Program (FCP) for employment equity "[FCP Limited Eligibility to Bid](#)" list available at the bottom of the page of the [Employment and Social Development Canada \(ESDC\) - Labour's website](#) (http://www.esdc.gc.ca/en/jobs/workplace/human_rights/employment_equity/federal_contractor_program.page?&_ga=1.229006812.1158694905.1413548969).

Canada will have the right to declare a bid non-responsive if the Bidder, or any member of the Bidder if the Bidder is a Joint Venture, appears on the "[FCP Limited Eligibility to Bid](#)" list at the time of contract award.

PART 6 - RESULTING CONTRACT CLAUSES

The following clauses and conditions apply to and form part of any contract resulting from the bid solicitation.

6.1 Security Requirements

There is no security requirement applicable to the Contract.

6.2 Requirement

The Contractor must provide the items detailed under the "Requirement" at Annex "A".

6.3 Standard Clauses and Conditions

All clauses and conditions identified in the Contract by number, date and title are set out in the [Standard Acquisition Clauses and Conditions Manual](#) (<https://buyandsell.gc.ca/policy-and-guidelines/standard-acquisition-clauses-and-conditions-manual>) issued by Public Works and Government Services Canada.

6.3.1 General Conditions

2010A (2016-04-04), General Conditions - Goods (Medium Complexity) apply to and form part of the Contract.

Solicitation No. - N° de l'invitation
F5956-160440/A
Client Ref. No. - N° de réf. du client
F5956-16-0440

Amd. No. - N° de la modif.
File No. - N° du dossier
HAL-6-77174

Buyer ID - Id de l'acheteur
hal409
CCC No./N° CCC - FMS No./N° VME

6.4 Term of Contract

6.4.1 Delivery Date

Delivery is mandatory on or before March 31, 2017.

Please provide best delivery: _____

6.5 Authorities

6.5.1 Contracting Authority

The Contracting Authority for the Contract is:

Kathie Taylor
Supply Officer
Public Works and Government Services Canada
Acquisitions Branch
1713 Bedford Row
Halifax, NS B3J 3C9
Telephone: 902-496-5510
Facsimile: 902-496-5016
E-mail address: kathie.taylor@pwgsc.gc.ca

The Contracting Authority is responsible for the management of the Contract and any changes to the Contract must be authorized in writing by the Contracting Authority. The Contractor must not perform work in excess of or outside the scope of the Contract based on verbal or written requests or instructions from anybody other than the Contracting Authority.

6.5.2 Project Authority

The Project Authority for the Contract is: (to be inserted at contract award)

Name: _____
Title: _____
Organization: _____
Address: _____

Telephone: ____-____-_____
Facsimile: ____-____-_____
E-mail address: _____

The Project Authority is the representative of the department or agency for whom the Work is being carried out under the Contract and is responsible for all matters concerning the technical content of the Work under the Contract. Technical matters may be discussed with the Project Authority, however the Project Authority has no authority to authorize changes to the scope of the Work. Changes to the scope of the Work can only be made through a contract amendment issued by the Contracting Authority.

6.5.3 Contractor's Representative

Name: _____

Solicitation No. - N° de l'invitation
F5956-160440/A
Client Ref. No. - N° de réf. du client
F5956-16-0440

Amd. No. - N° de la modif.
File No. - N° du dossier
HAL-6-77174

Buyer ID - Id de l'acheteur
hal409
CCC No./N° CCC - FMS No./N° VME

Title: _____

Organization: _____

Address: _____

Telephone: _____

Facsimile: _____

E-mail address: _____

6.6 Payment

6.6.1 Basis of Payment

In consideration of the Contractor satisfactorily completing all of its obligations under the Contract, the Contractor will be paid a *firm lot price for a cost of \$ _____ (insert the amount at contract award)*. Customs duties are *included* and Applicable Taxes are extra.

Canada will not pay the Contractor for any design changes, modifications or interpretations of the Work, unless they have been approved, in writing, by the Contracting Authority before their incorporation into the Work.

6.6.2 Method of Payment

H1000C (2008-05012) Single Payment

6.7 Invoicing Instructions

1. The Contractor must submit invoices in accordance with the section entitled "Invoice Submission" of the general conditions. Invoices cannot be submitted until all work identified in the invoice is completed.
2. Invoices must be distributed as follows:
 - a. The original and one (1) copy must be forwarded to the address shown on page 1 of the Contract for certification and payment.

6.8 Certifications and Additional Information

6.8.1 Compliance

Unless specified otherwise, the continuous compliance with the certifications provided by the Contractor in its bid or precedent to contract award, and the ongoing cooperation in providing additional information are conditions of the Contract and failure to comply will constitute the Contractor in default. Certifications are subject to verification by Canada during the entire period of the Contract.

Solicitation No. - N° de l'invitation
F5956-160440/A
Client Ref. No. - N° de réf. du client
F5956-16-0440

Amd. No. - N° de la modif.
File No. - N° du dossier
HAL-6-77174

Buyer ID - Id de l'acheteur
hal409
CCC No./N° CCC - FMS No./N° VME

6.9 Applicable Laws

The Contract must be interpreted and governed, and the relations between the parties determined, by the laws in force in Nova Scotia.

6.10 Priority of Documents

If there is a discrepancy between the wording of any documents that appear on the list, the wording of the document that first appears on the list has priority over the wording of any document that subsequently appears on the list.

- (a) the Articles of the Agreement;
- (b) the general conditions 2010A (2016-04-04);
- (c) Annex A, Statement of Requirement;
- (d) the Contractor's bid dated _____

6.11 SACC Manual Clauses

G1005C Insurance Requirements (2008-05-12)

Annex A Statement of Requirement

Description

Fisheries and Oceans Canada (DFO), Science Sector, has a requirement for a sub-sea buoyancy assemblies manufactured by Deep Water Buoyancy of Biddeford, Maine, USA. The assemblies provide buoyancy and housing for oceanographic instrumentation that are used moorings that support Departmental research programs.

Minimum Mandatory Criteria

Each sub-sea buoyancy assembly must meet the following requirements:

1. Each assembly must be manufactured/fabricated to meet the design features and engineering specifications of its respective drawing number and revision (see: **Table A1.1 & Appendices 2-4**).
2. Buoyancy material must be solid syntactic foam with a density that meets the maximum depth rating, as well as an integral mooring frame and handling features (for deployment/recovery).
3. All metal materials, including the integral mooring frame and handling features, must be AISI 316 or 316L stainless steel alloy. The mooring frame must be designed with a suitable factor of safety for the buoyancy force and dry weight of the assembly. It must also feature an eye suitable for connection with a commercially-available AISI 316 stainless steel bow shackle, on each end.
4. Each assembly must include a main instrument well and mounting/securing hardware for the provision of an instrument identified on the drawing (i.e., ADCP; AMAR; etc. – see: **Table A1.1 & Appendices 2-4**).
5. A fibre-reinforced plastic protective shell or polyurethane elastomer shell for the syntactic foam portion of the exterior must be provided. It must be bright orange or bright yellow in colour.
6. Each assembly must feature two auxiliary instrument wells: 1) one for a XEOS Sable iridium beacon; and 2) one for a XEOS Apollo iridium beacon. Clamps and mounting/securing hardware for securing the instruments to the wells must be provided (material: titanium or AISI 316).
7. If applicable, the tail section must be made of durable cast polyurethane of sufficient thickness (for strength) for typical warehouse and maritime vessel-based handling. It must be bright orange or bright yellow in colour.
8. Each assembly must have clearly labelled on its exterior the installation drawing number and revision number that it was built to, as well as its maximum depth rating and working load limit for the mooring frame (i.e., XXXX m MAX DEPTH; WLL = XXXX kg).
9. An installation drawing must be issued for review and approval prior to manufacturing. The installation drawing will outline the details and dimensions of each sub-sea buoyancy assembly design.
10. Shipping to be included.

Table A1.1. Assembly design features and engineering specifications.

Solicitation No. - N° de l'invitation
F5956-160440/A
Client Ref. No. - N° de réf. du client
F5956-16-0440

Amd. No. - N° de la modif.
File No. - N° du dossier
HAL-6-77174

Buyer ID - Id de l'acheteur
hal409
CCC No./N° CCC - FMS No./N° VME

APPENDIX	Drawing No.	Rev No.	Buoy Type and Use	Depth Rating	Buoyancy	Quantity
2	AF36	01	36" Spherical ADCP Buoy Assembly	750 m	353 lbf	2
3	20646	01	36" Spherical Buoy Assembly for AMAR	750 m	348 lbf	1
4	SD-20645	00	Stablemoor 500, 750 msw Buoy Assembly	750 m	527 lbf	4

*Appendices 2-4 (see attached PDF's)

Solicitation No. - N° de l'invitation
F5956-160440/A
Client Ref. No. - N° de réf. du client
F5956-16-0440

Amd. No. - N° de la modif.
File No. - N° du dossier
HAL-6-77174

Buyer ID - Id de l'acheteur
hal409
CCC No./N° CCC - FMS No./N° VME

Annex B
Basis of Payment

The price of the bid will be evaluated in Canadian dollars, the Goods and Services Tax or the Harmonized Sales Tax excluded, DDP Incoterms 2000, Canadian Customs Duties and Excise Taxes included.

Item	Description	Qty	Unit of Issue	Total Price
1	Sub-sea buoyancy assemblies, as fully detailed in Annex A (including shipping)	1	lot	\$

ANNEX C CROSS-REFERENCE DATA

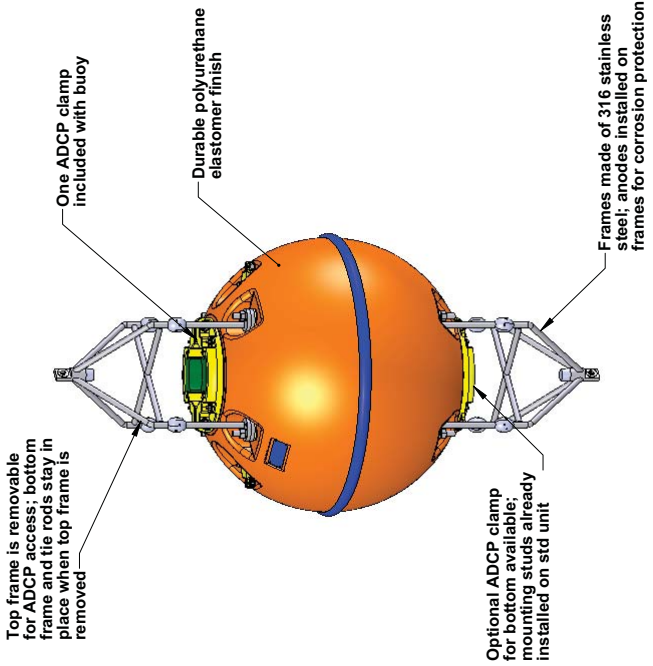
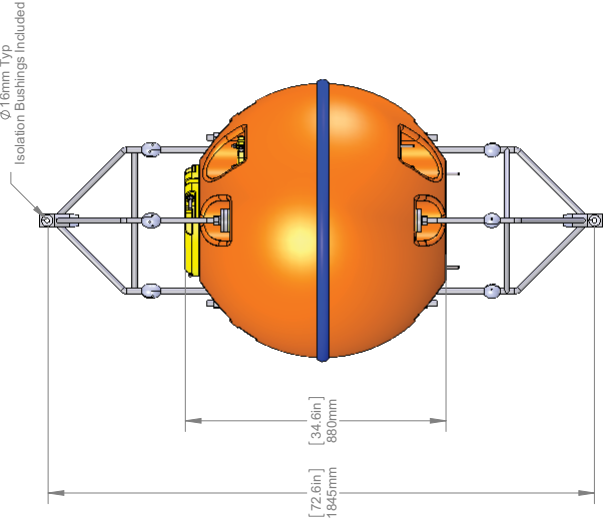
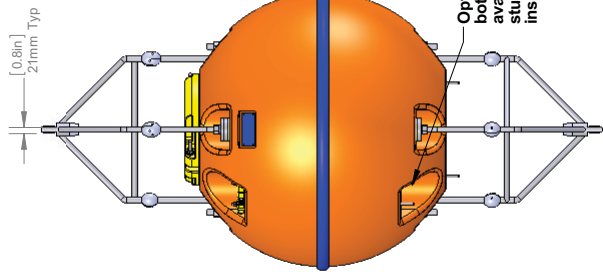
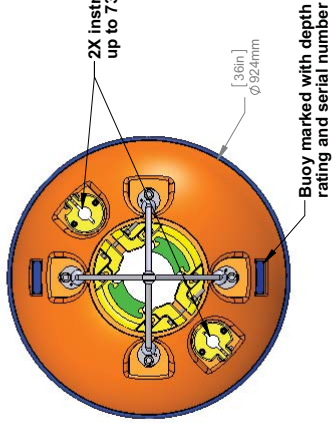
Bidders are requested to provide cross-reference below to identify the page(s) where each minimum mandatory requirement can be demonstrated in their technical documentation provided with bid. For the few criteria which are not identified in specification sheets/literature/brochures, your firm's indication of "Compliant" will be considered as certification that the requirement is met. Canada reserves the right to verify any and all information relating to mandatory requirements.

	Minimum Mandatory Requirements	Cross Reference Page #
1	Each assembly must be manufactured/fabricated to meet the design features and engineering specifications of its respective drawing number and revision (see: Table A1.1 & Appendices 2-4).	
2	Buoyancy material must be solid syntactic foam with a density that meets the maximum depth rating, as well as an integral mooring frame and handling features (for deployment/recovery).	
3	All metal materials, including the integral mooring frame and handling features, must be AISI 316 or 316L stainless steel alloy. The mooring frame must be designed with a suitable factor of safety for the buoyancy force and dry weight of the assembly. It must also feature an eye suitable for connection with a commercially-available AISI 316 stainless steel bow shackle, on each end.	
4	Each assembly must include a main instrument well and mounting/securing hardware for the provision of an instrument identified on the drawing (i.e., ADCP; AMAR; etc. – see: Table A1.1 & Appendices 2-4).	
5	A fibre-reinforced plastic protective shell or polyurethane elastomer shell for the syntactic foam portion of the exterior must be provided. It must be bright orange or bright yellow in colour.	
6	Each assembly must feature two auxiliary instrument wells: 1) one for a XEOS Sable iridium beacon; and 2) one for a XEOS Apollo iridium beacon. Clamps and mounting/securing hardware for securing the instruments to the wells must be provided (material: titanium or AISI 316).	
7	If applicable, the tail section must be made of durable cast polyurethane of sufficient thickness (for strength) for typical warehouse and maritime vessel-based handling. It must be bright orange or bright yellow in colour.	
8	Each assembly must have clearly labelled on its exterior the installation drawing number and revision number that it was built to, as well as its maximum depth rating and working load limit for the mooring frame (i.e., XXXX m MAX DEPTH; WLL = XXXX kg).	
9	An installation drawing must be issued for review and approval prior to manufacturing. The installation drawing will outline the details and dimensions of each sub-sea buoyancy assembly design.	

REV.	DESCRIPTION	DATE	DRAWN BY	CHECKED BY
00	Initial Release	21-Feb-12	MPC	MDS
01	Update Unit Info	31-Mar-15	DFC	MJA

Product Number	Description	Seawater Buoyancy, kg (lb)	Buoyancy Tolerance, kg (lb)	Nominal Weight in Air, kg (lb)
AF36-0750	36" Spherical ADCP Buoy, 750m	160 (353)	+/- 12 (26)	208 (458)
AF36-1500	36" Spherical ADCP Buoy, 1500m	133 (293)		235 (518)
AF36-3500	36" Spherical ADCP Buoy, 3500m	105 (232)		263 (578)
AF36-6000	36" Spherical ADCP Buoy, 6000m	93 (206)		275 (605)

Buoyancy and weight values do not include instrumentation.



Dimensions - mm (inches)

x
x.x
x.xx
x.xxx
x.xxx

Angular

UNLESS OTHERWISE SPECIFIED

Original Designer: MPC

DeepWater BUOYANCY

www.deepwater.com

36" Spherical ADCP Buoy, All Depths

Material:

PROPRIETARY AND CONFIDENTIAL
This document contains technical data which is the exclusive property of DeepWater Buoyancy, Inc. and shall remain the property of DeepWater Buoyancy, Inc. or otherwise appropriated, without the written consent of DeepWater Buoyancy, Inc.

Dwg. No. AF36

Rev. 01

DO NOT SCALE DRAWING

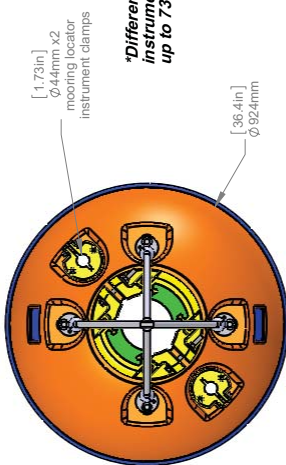
Sheet 1 OF 1

Size: B

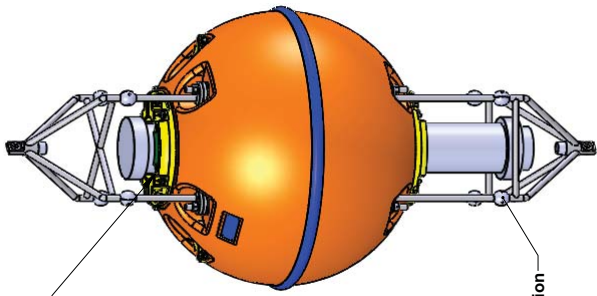
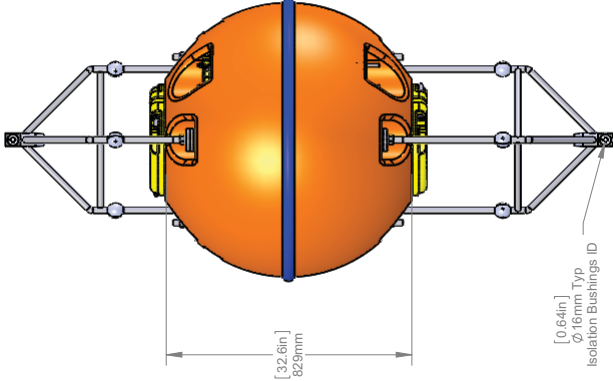
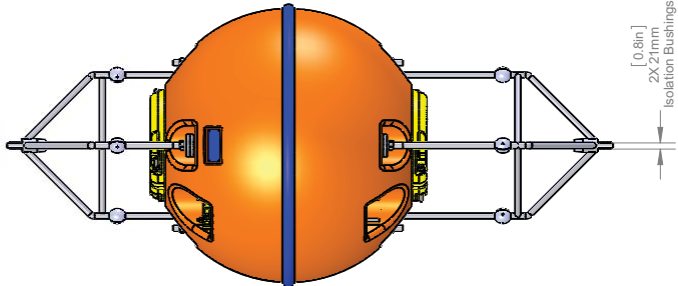
REV.	DESCRIPTION	DATE	DRAWN BY	CHECKED BY
00	Initial Release	12-Dec-2014	SAC	

Product number	Description	Seawater Buoyancy, kg (lb)	Buoyancy tolerance, kg (lb)	Nominal weight in air, kg (lb)
AF36-0750	36" AF ADCP buoy, 750m	160 (348)	+/- 12 (26)	208 (470)
AF36-1500	36" AF ADCP buoy, 1500m	133 (317)		235 (502)
AF36-3500	36" AF ADCP buoy, 3500m	105 (286)		263 (533)
AF36-6000	36" AF ADCP buoy, 6000m	93 (272)		275 (546)

**buoyancy/weight values do not include instrumentation*



**Different mooring instrument clamp sizes available up to 73mm (2.88") diameter*



Dual ADCP clamps included with buoy

Frames & tie rods:
-316 stainless steel
-Anodes installed for corrosion protection

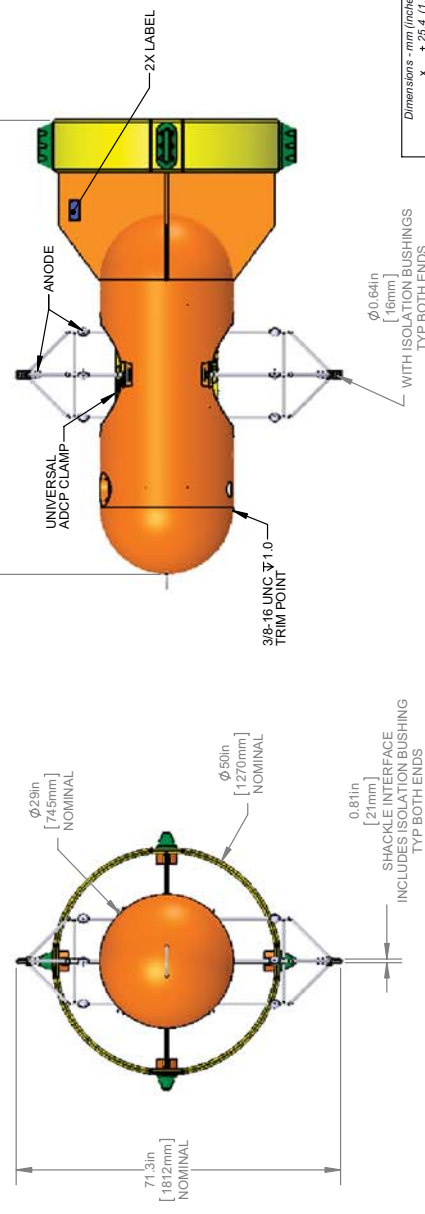
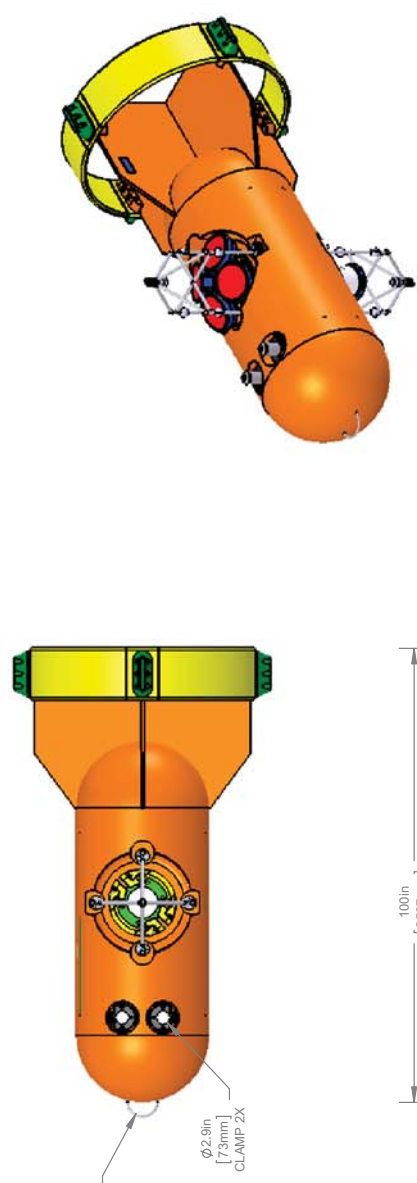


AF36 ADCP buoy - Ext.
Frame, all depths
Material:
See BOM

www.deepwater.com
www.dfwm.com
PROPRIETARY AND CONFIDENTIAL
This document contains technical data which is the exclusive property of DeepWater Buoyancy, Inc. and/or its subsidiaries. It is to be used only for the purposes and in the quantities expressly approved in writing by DeepWater Buoyancy, Inc.
Rev. No. 20646
DO NOT SCALE DRAWING Sheet 1 OF 1
Size: B

REV. 00	DESCRIPTION INITIAL RELEASE	DATE 27-OCT-15	DRAWN BY SCA	CHECKED BY
REVISIONS				
Max Depth 750msw	Seawater Buoyancy, kg (lb) 239 (627)	Buoyancy tolerance, kg (lb) ±24 (53)	Nominal weight in air, kg (lb) 531 (1169)	

- NOTES:**
- WEIGHT & BUOYANCY ARE WITHOUT INSTRUMENTS.**
 - SHELL MATERIAL: FRP**
 - HARDWARE: 316 STAINLESS STEEL**
 - LABELING:**
 - DEPTH RATING
 - SERIAL NUMBER
 - DWB LOGO



**SALES DRAWING ONLY!
NOT FOR PRODUCTION
SUBJECT TO CHANGE
PROPRIETARY**

Dimensions - mm (inches)	Stablemoor 500, 750msw	DeepWater BUOYANCY www.deepwater.com 394 Hill St. #E 400E, USA Tel: 1-202-502-4400	Dwg. No. SD-20645 Rev. 00 DO NOT SCALE DRAWING Sheet 1 OF 1 Scale: 1:32
xx ± 25.4 (1.00) xxx ± 12.7 (0.50) xxx ± 6.4 (0.25) xxx ± 3.2 (0.125) xxx ± 1.6 (0.0625)	Material: See BOM		
UNLESS OTHERWISE SPECIFIED	PROPRIETARY AND CONFIDENTIAL This drawing is the exclusive property of DeepWater Buoyancy, Inc. and may not be used, copied, disclosed to, third parties or otherwise used without the consent of DeepWater Buoyancy, Inc.	Original Designer: SCA	