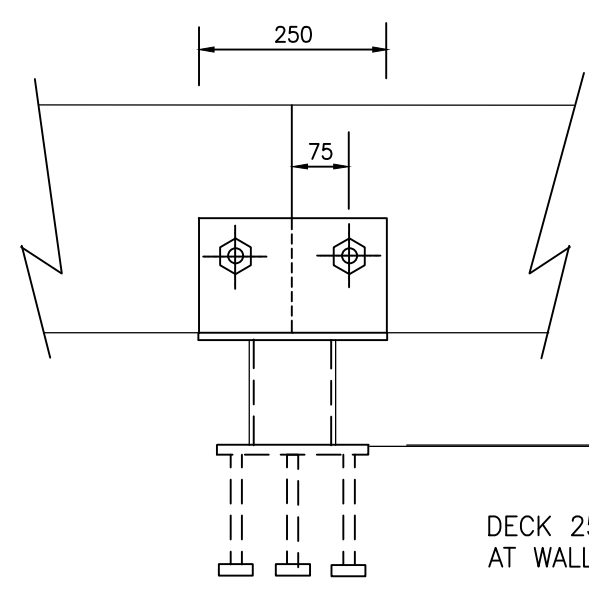
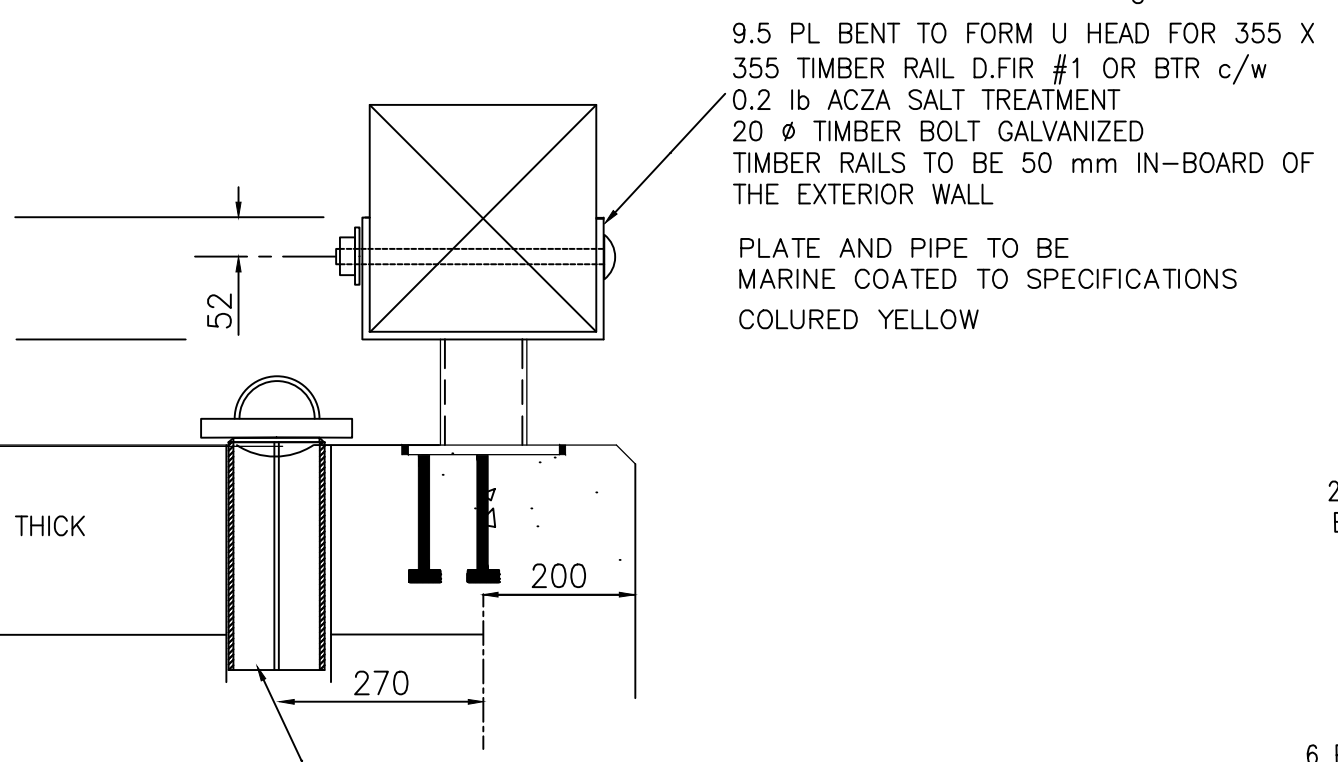


TYPICAL CONTINUOUS TIMBER JOINT  
M20 bolt and galv. 6 th washers



TYPICAL TIMBER SPLICE JOINT  
M20 bolts and galv. 6 th washers



9.5 PL BENT TO FORM U HEAD FOR 355 X 355 TIMBER RAIL D.FIR #1 OR BTR c/w 0.2 lb ACZA SALT TREATMENT  
20 Ø TIMBER BOLT GALVANIZED  
TIMBER RAILS TO BE 50 mm IN-BOARD OF THE EXTERIOR WALL  
PLATE AND PIPE TO BE MARINE COATED TO SPECIFICATIONS COLOURED YELLOW

**\*\* NOTE \*\***  
ALL TIMBER BUTT SPLICES AND BOLT HOLES TO BE TREATED WITH BRUSHED ON 0.2 lb ACZA SALT TREATMENT OR EQUIVALENT PRESERVATIVE AND SEAL CAULKED WITH FIBREGUM OVER FULL PERIMETER OF JOINT APPLIED BEFORE PIECES ARE BOLTED IN THE SADDLE

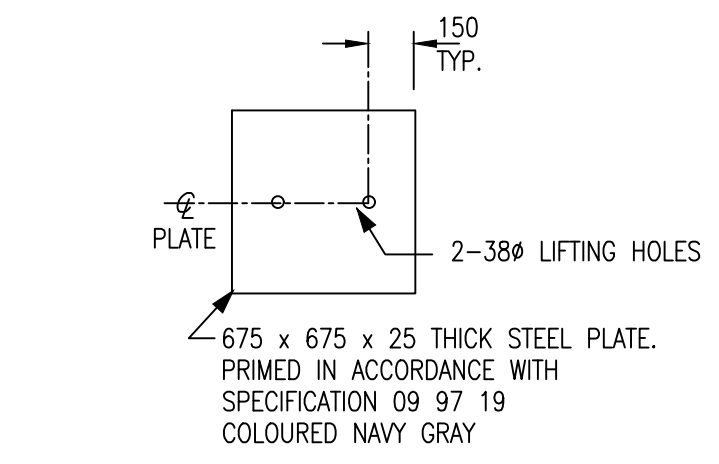
**\*\* NOTE \*\***  
ALL BOLT HOLES BE TREATED WITH BRUSHED ON CCA OR EQUIVALENT PRESERVATIVE.

6 PL STIFFENERS WELDED AT CENTER THEN INSERTED IN SLOTTED 127Ø PIPE AND SINGLE BEVEL WELDED TO PIPE TO KEEP OD FLUSH WITH PIPE. TWO PART MARINE COATING

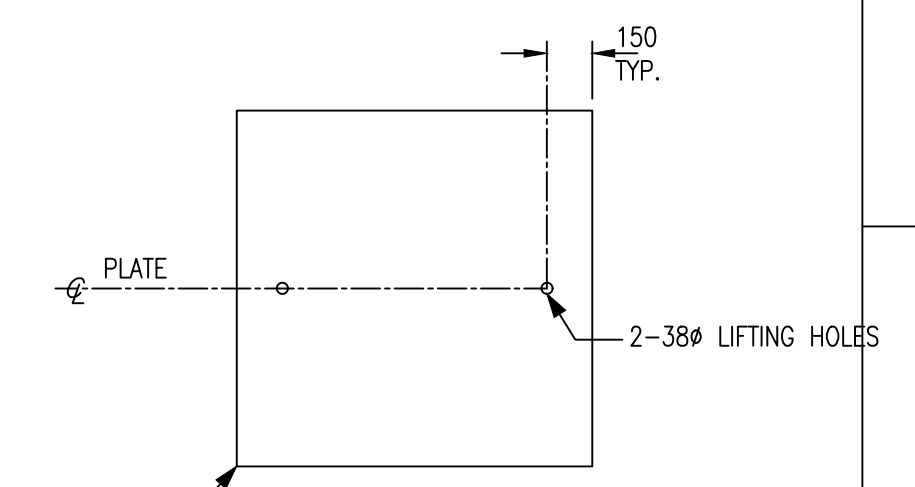
200 LONG STOP BAR - 25 SQUARE BAR WELDED TO 6 TH. SEAL PL. ON PIPE. WELD A HAND GRIP FROM 6Ø ROUND. TWO PART MARINE COATING

**FENDER CHAIN STOP**

PROVIDE 10 PER SINGLE FLOAT OR THE QUANTITY REQUIRED BY THE OWNER. NO CHAIN STOPS ARE REQUIRED FOR THE QUAD AND SAR FLOAT ON SHEET 22



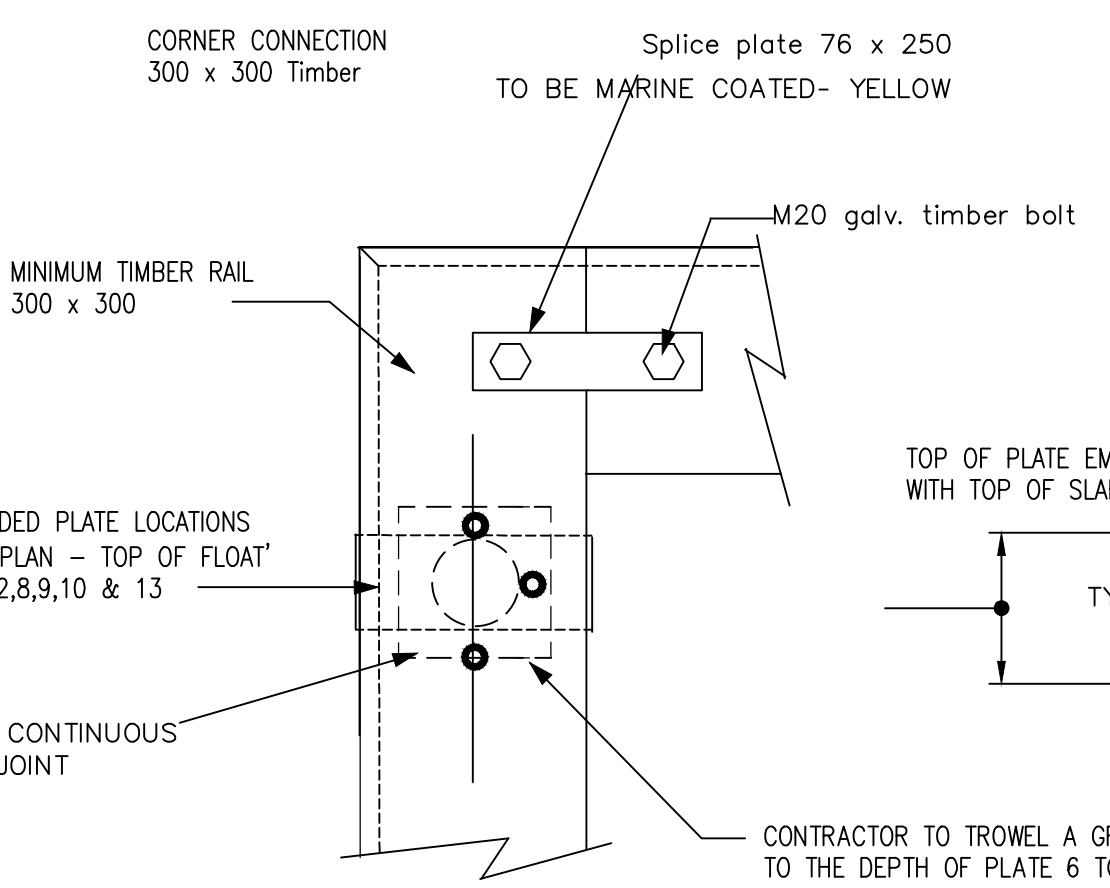
**UTILITY STEEL COVER PLATES**



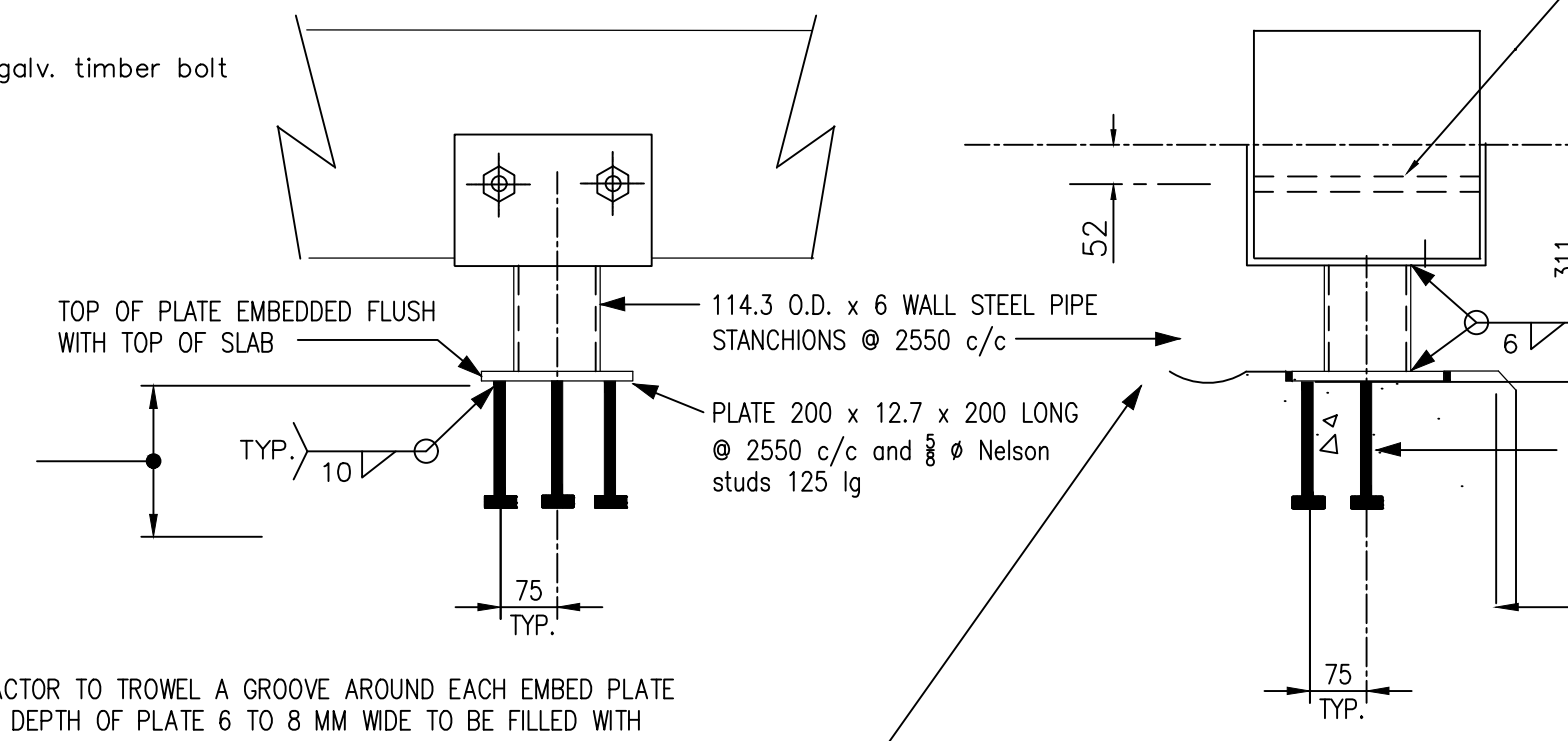
**MOORING WELL STEEL COVER PLATES**

SCALE 1:25

**NOTE:**  
SAR FLOAT TO HAVE THE SAME NON-SKID COATING ON THE STEEL HATCH AND WELL COVERS AS THE QUAD FLOAT.



**PLAN CORNER**



**ELEVATION**

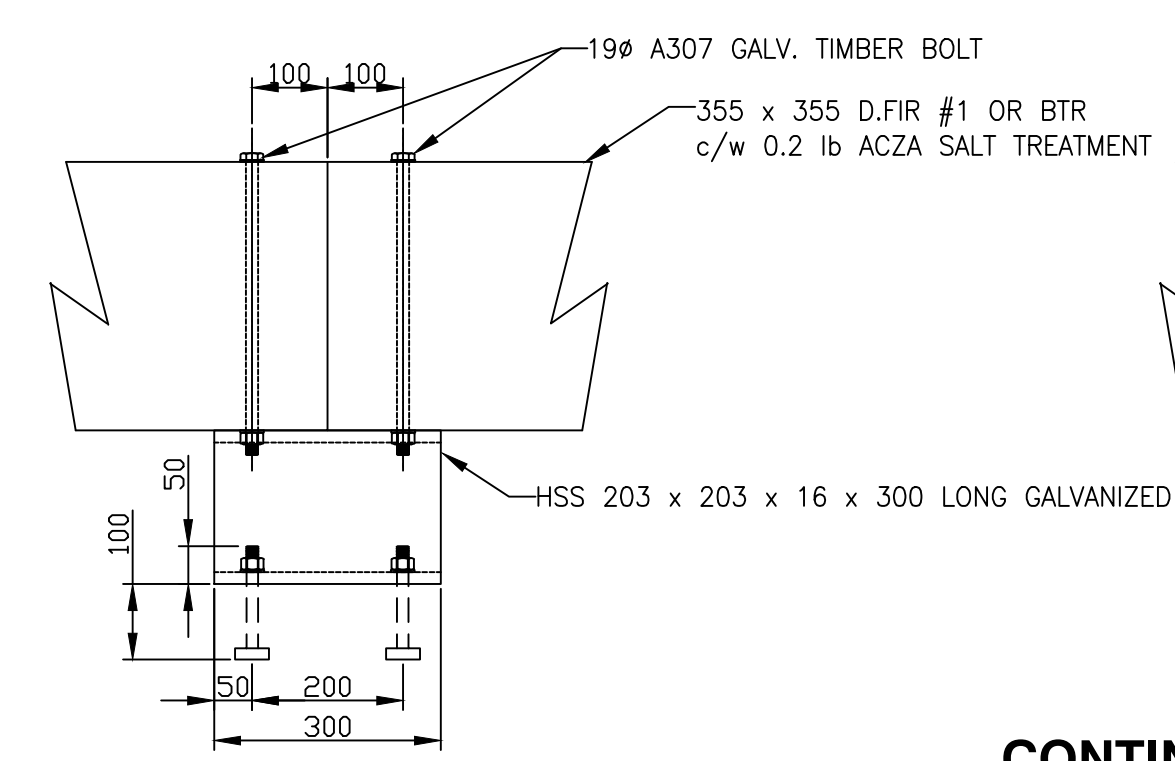
**SECTION**

**TYPICAL BULL RAIL DETAILS FOR SINGLE AND DUAL STANDARD FLOATS**

SCALE 1:10

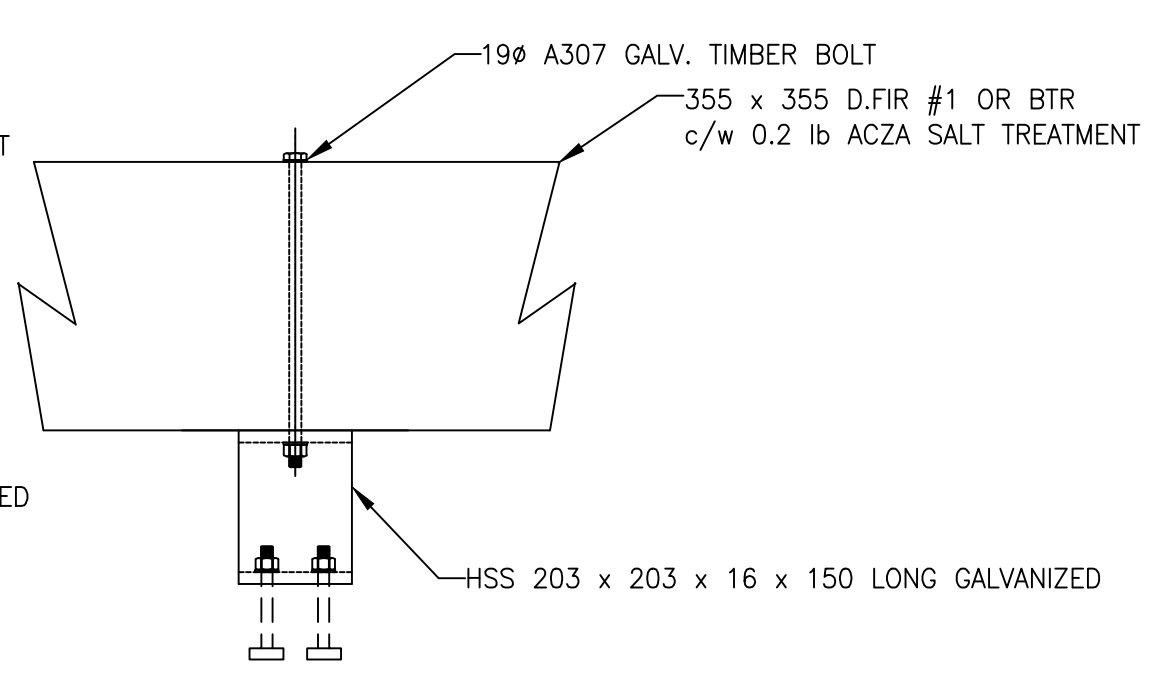
DUAL FLOATS TYPE I AND II TO HAVE THESE EMBEDS  
THE DUAL FLOAT ON SHT. 22 MUST HAVE THESE EMBEDS

MARINE COATING IN ACCORDANCE WITH SPECIFICATION 09 92 19



**TIMBER BUTT JOINT**

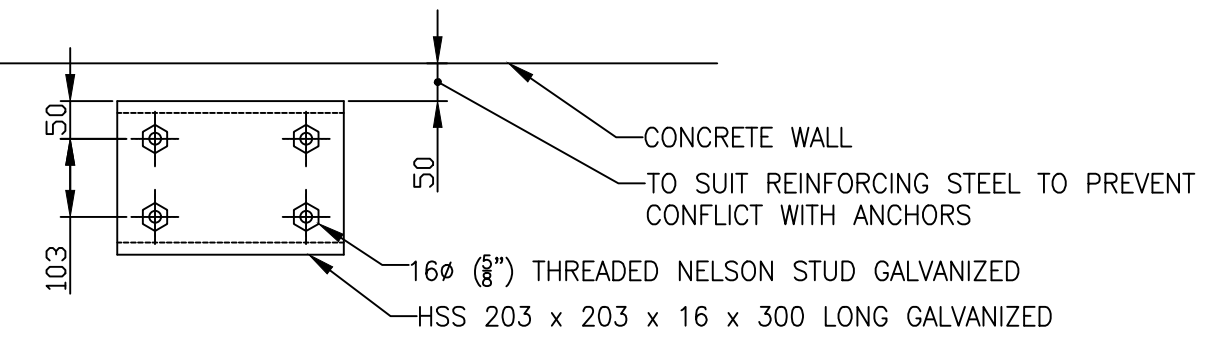
SCALE 1:10



**CONTINUOUS TIMBER FLOAT JOINT**

SCALE 1:10

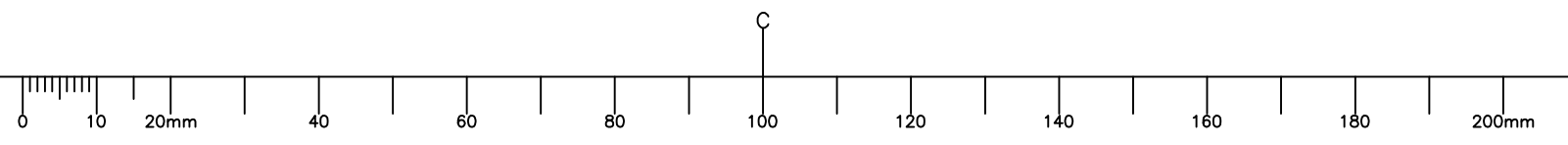
PROVIDE 32Ø HOLES FOR NELSON STUDS AND 21Ø HOLE FOR TIMBER BOLT.



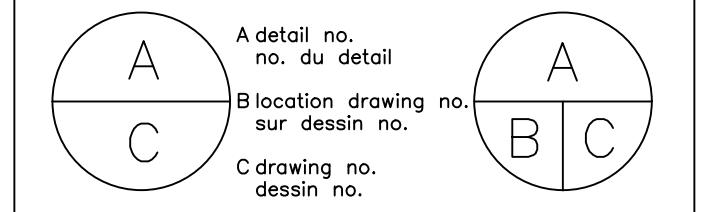
**PLAN**

SCALE 1:10

**TYPICAL BULL RAIL FOR QUADS**



revisions	date



project \_\_\_\_\_ projet \_\_\_\_\_

**FISHERIES AND OCEANS CANADA  
SMALL CRAFT HARBOURS  
STANDARD CONCRETE FLOAT  
MODULE 26.22m x 8.537m**

drawing \_\_\_\_\_ dessin \_\_\_\_\_

**DETAILS**

designed GJG concu

date 2016-08-25

drawn EB dessine

date 2016-08-25

approved \_\_\_\_\_ approve

date \_\_\_\_\_

Tender \_\_\_\_\_ Soumission

PWGC Project Manager Administrateur de projets TPSCG

project number \_\_\_\_\_ no. du projet

**TRN.VHWY03002-01**

drawing no. \_\_\_\_\_ no. du dessin

**56134 - 0801 - R9 - CONCRETE FLOAT - SHEET 6**