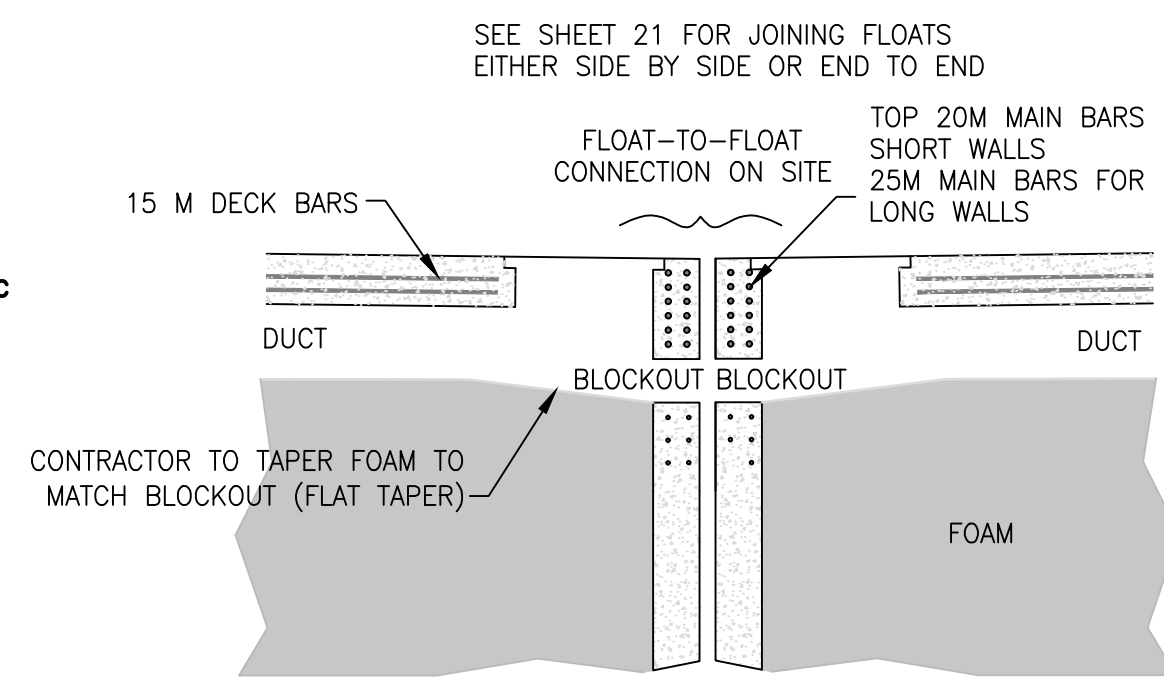
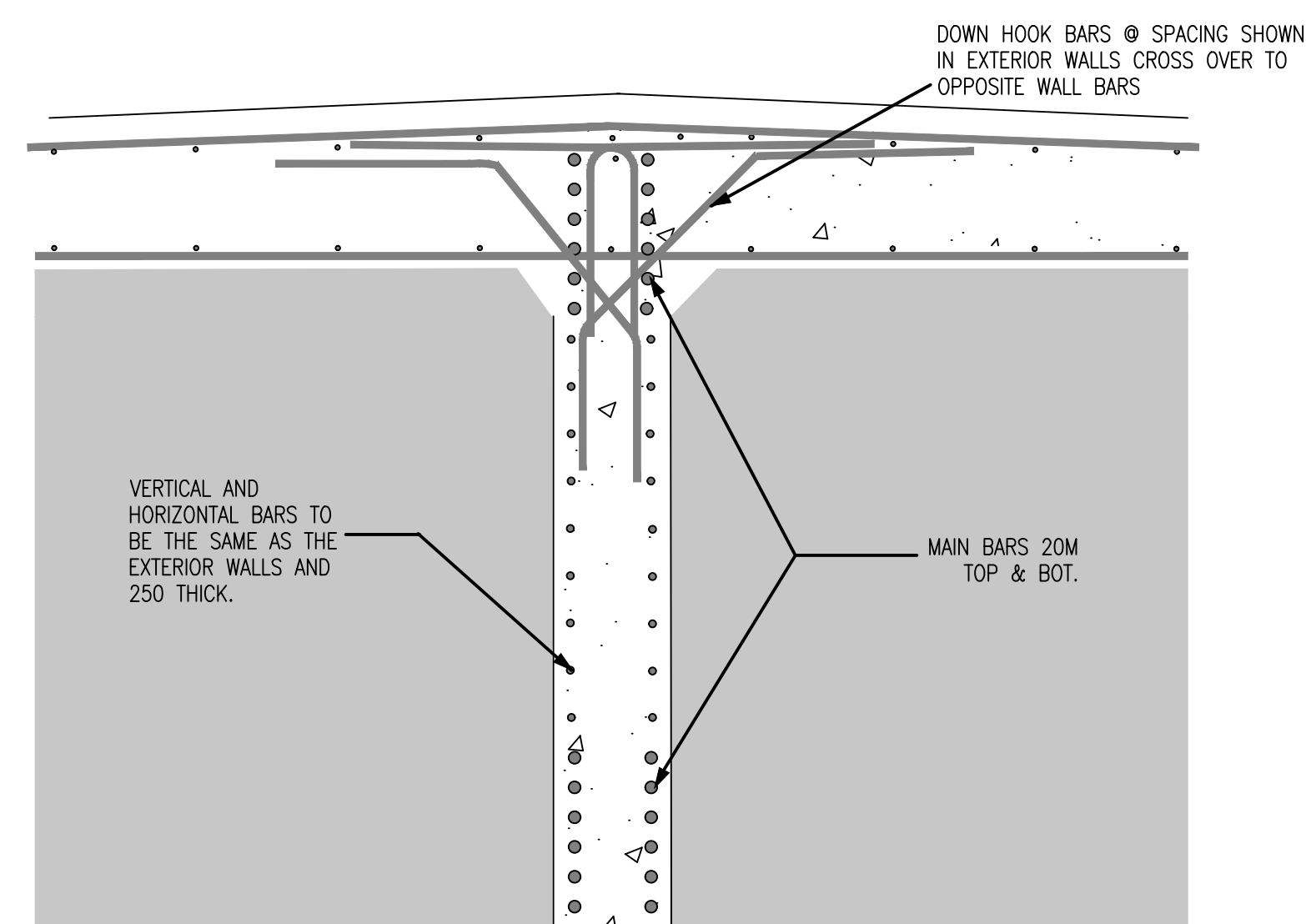


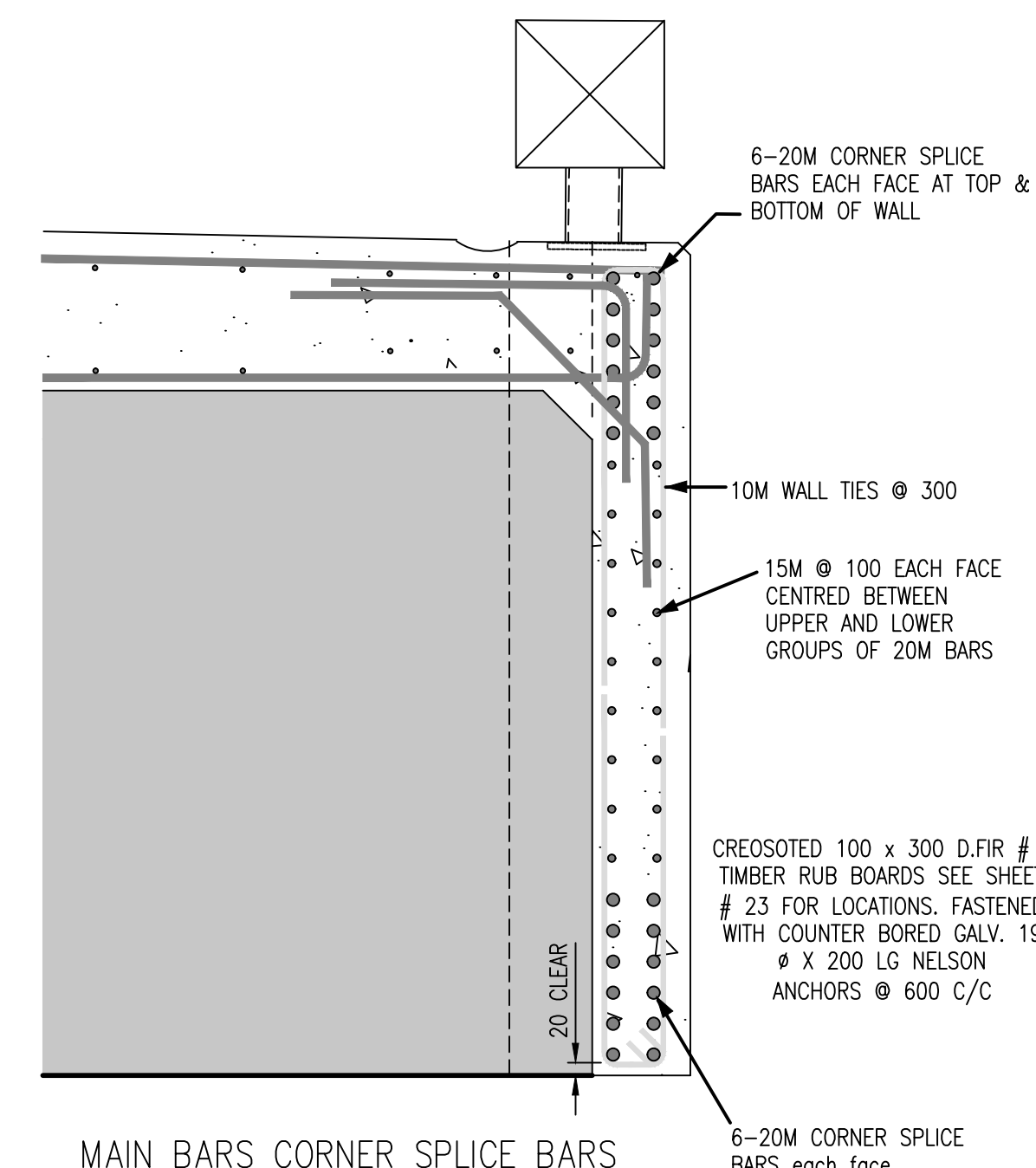
WALL REINFORCING AND CONCRETE AT CORNERS
TRANSVERSE WALL



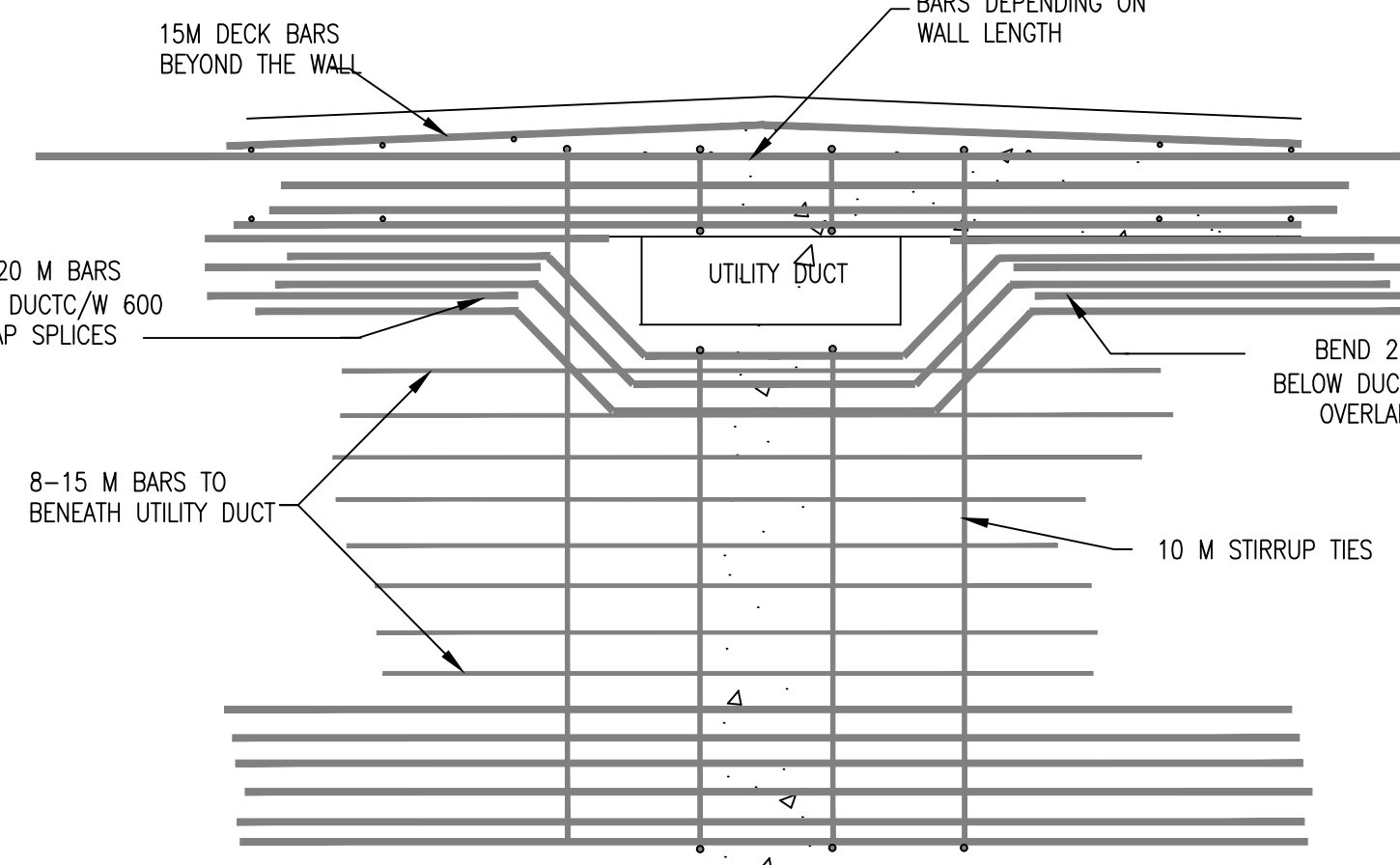
BLOCK OUT - EXTERIOR WALLS



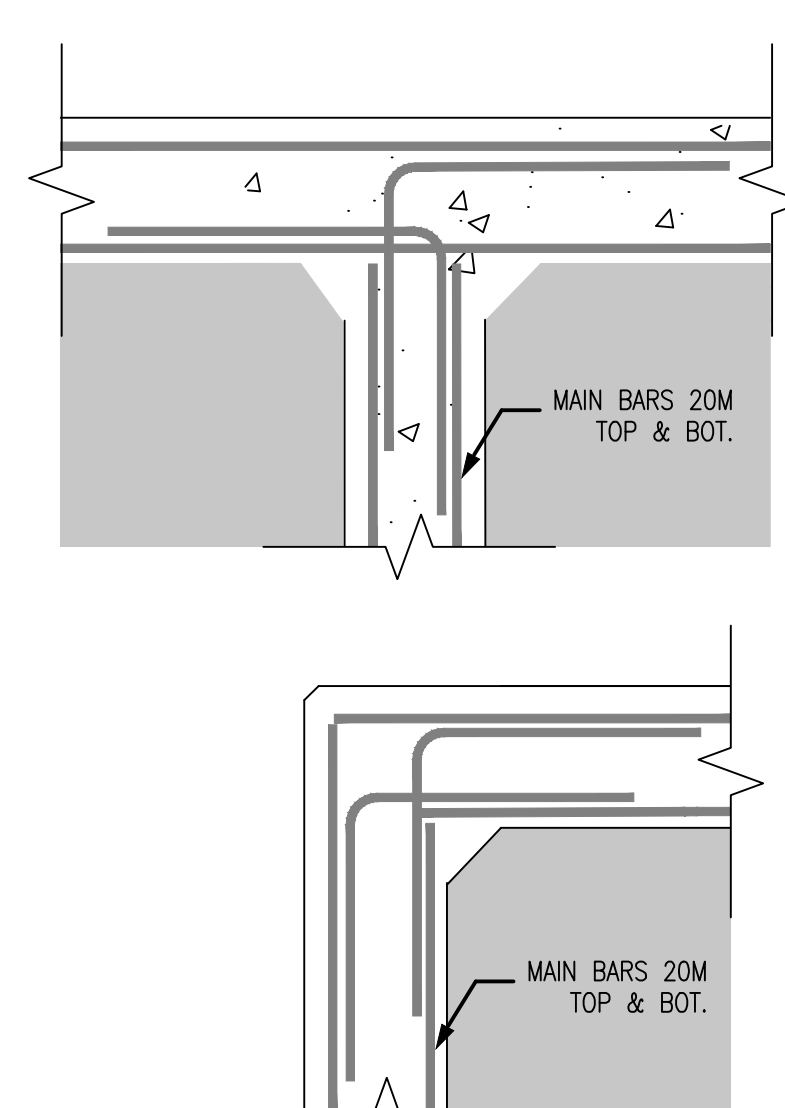
SECTION C
SCALE 1:10
TYPICAL INTERIOR WALL REINFORCING BOTH LONG & TRANSVERSE WALLS



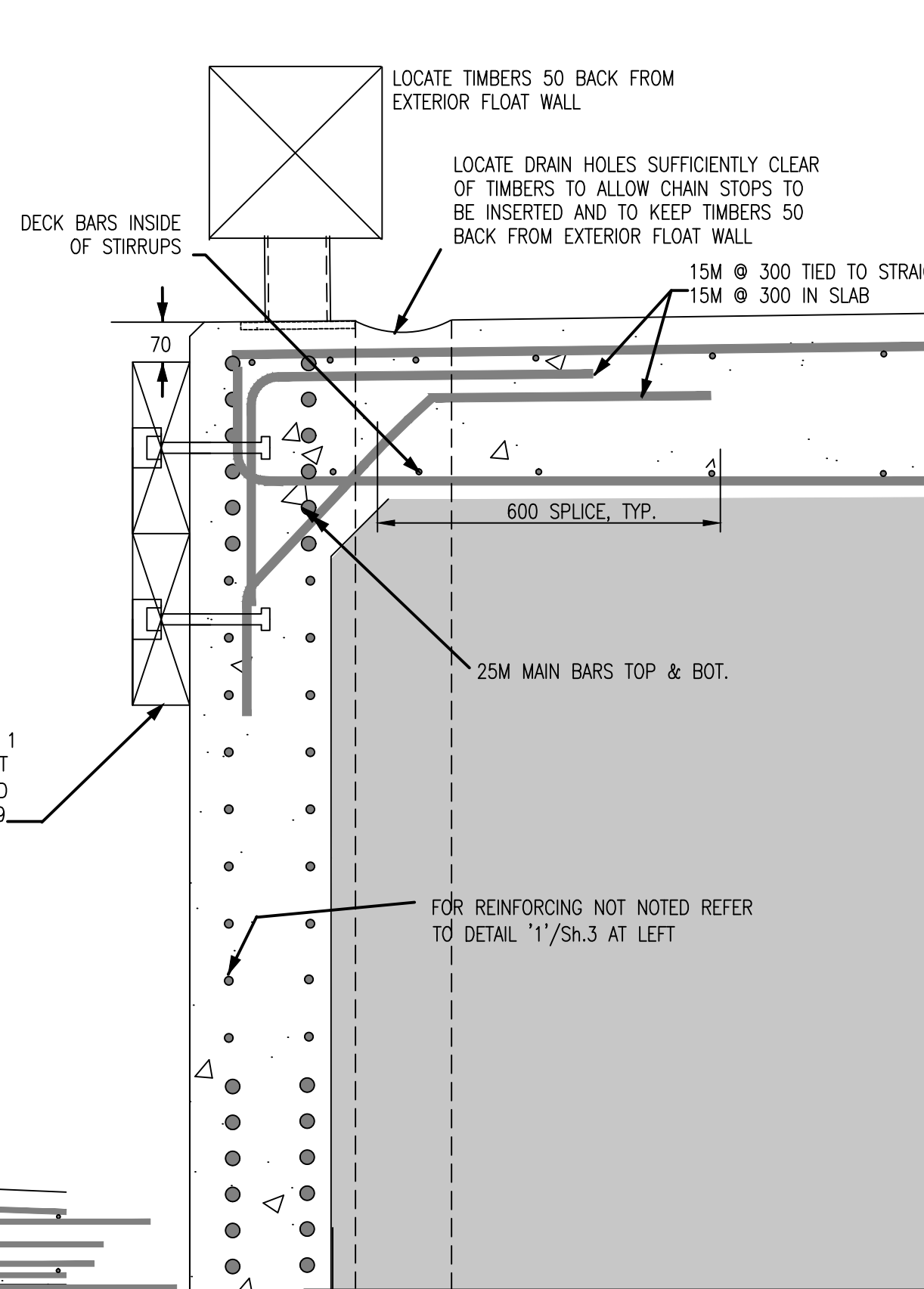
MAIN BARS CORNER SPLICE BARS



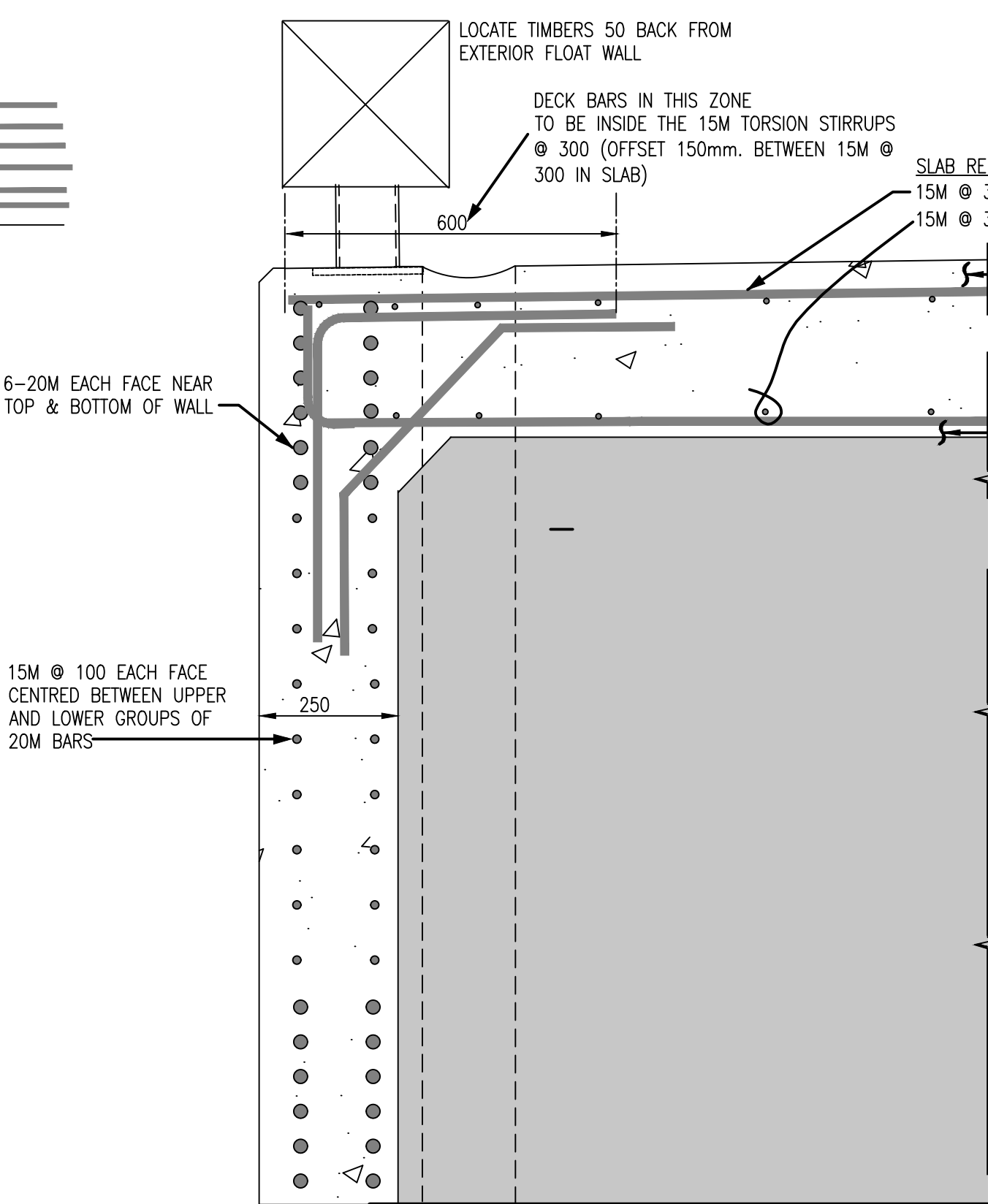
BLOCK OUTS THROUGH WALLS



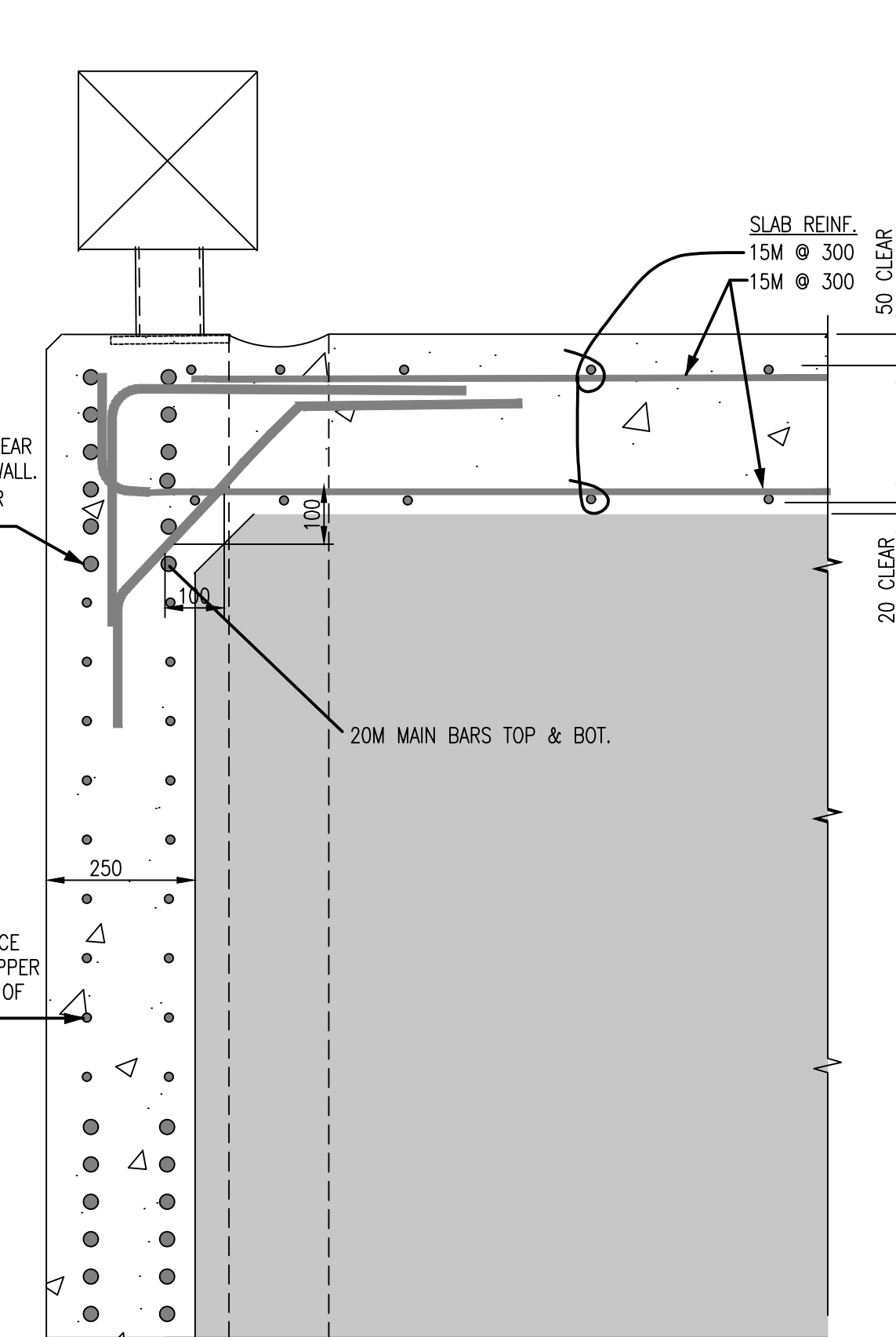
CORNER SPLICE BARS FOR MAIN BARS - PLAN



DETAIL 3
SCALE 1:10
Sh.3 (TYPICAL FOR LONG WALLS)



DETAIL 1
SCALE 1:10
Sh.3 (TYPICAL FOR LONG WALLS)



DETAIL 2
SCALE 1:10
Sh.3 (TYPICAL FOR LONG WALLS)

SECTION A C
SCALE 1:10
Sh.3 Sh.2 (TYPICAL FOR SHORT WALLS)

revisions	date
A	A detail no. no. du detail
B	B location drawing no. sur dessin no.
C	C drawing no. dessin no.

project projet
**FISHERIES AND OCEANS CANADA
SMALL CRAFT HARBOURS
STANDARD CONCRETE FLOAT
MODULE 26.22m x 8.537m**

drawing dessin
**FLOAT WITHOUT CONNECTION
POCKETS AT THE CORNERS**

designed GJG concu
date 2016-08-25
drawn EB dessine
date 2016-08-25
approved approve
date
Tender Soumission
PWGSC Project Manager Administrateur de projets TPSSC
project number no. du projet

TRN.VHWY03002-01
drawing no. no. du dessin
56134 - 0801 - R5 - CONCRETE FLOAT - SHEET 12