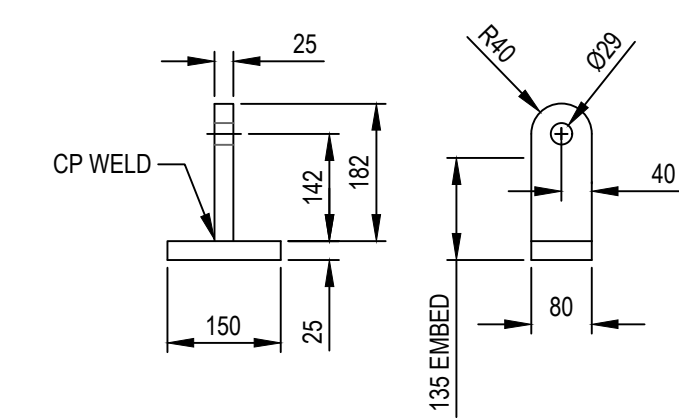
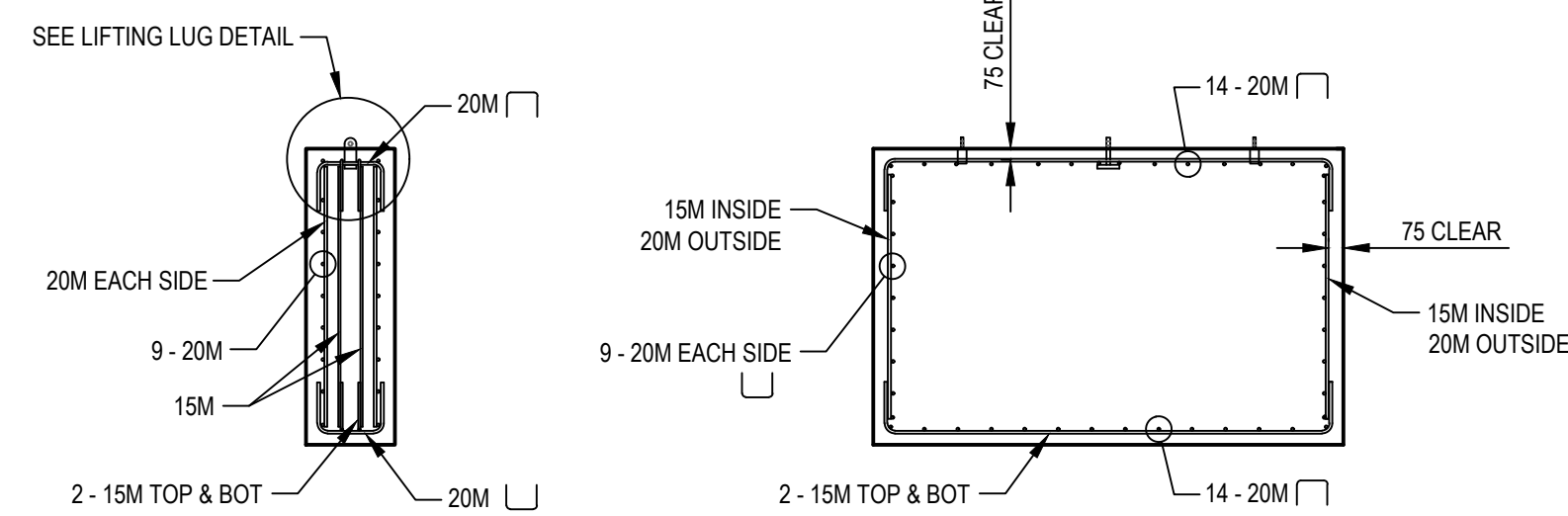


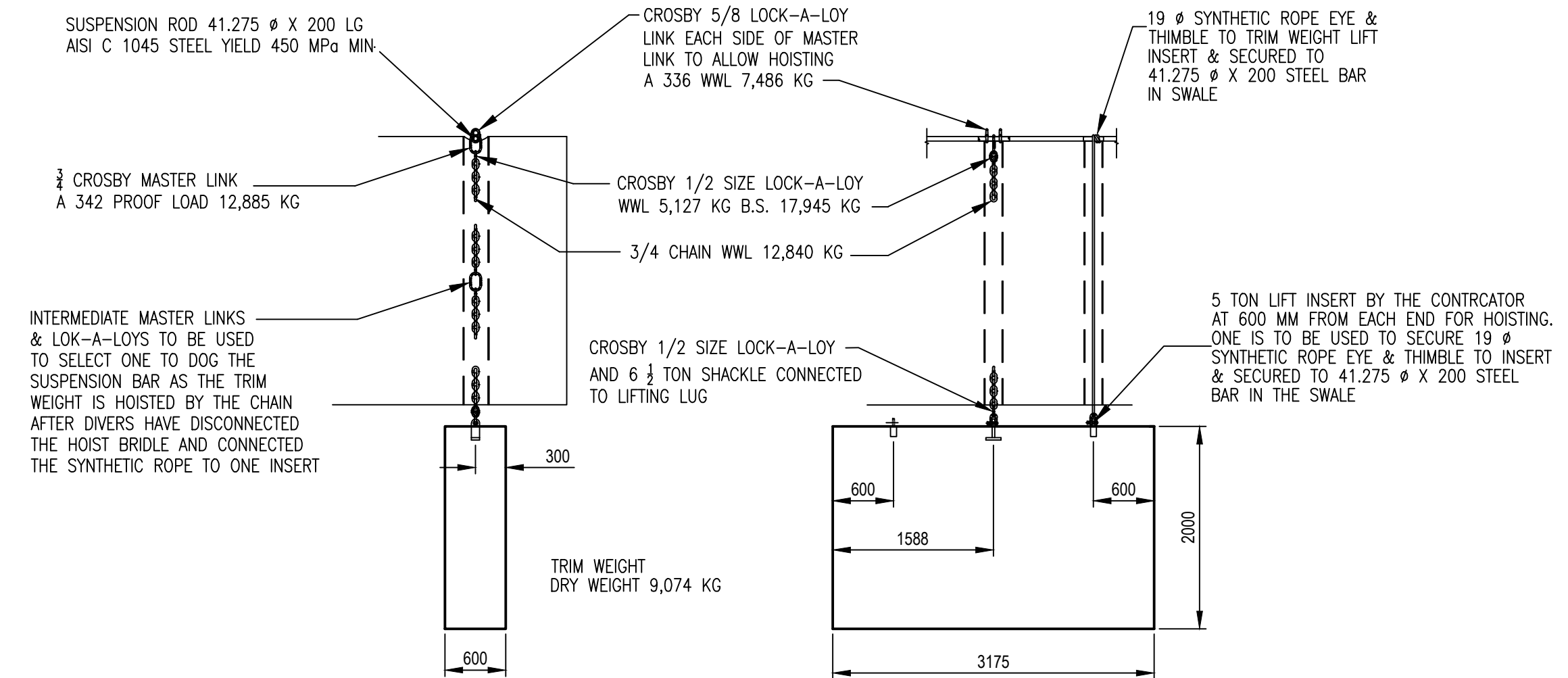
LIFTING LUG DETAIL
SCALE 1:10



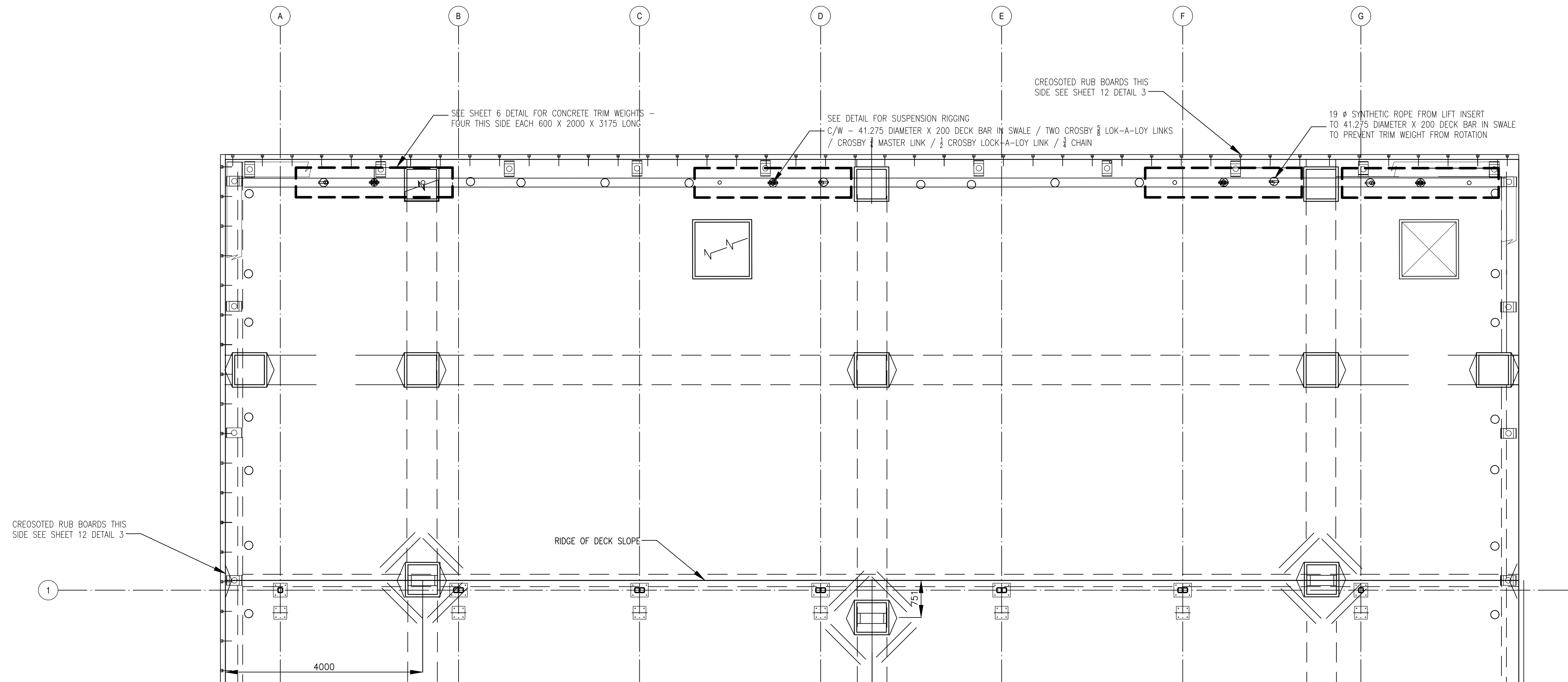
TRIM WEIGHT LIFTING LUG
SCALE 1:10



TRIM WEIGHTS REINFORCEMENT
SCALE 1:50



TRIM WEIGHT LAYOUT
SCALE 1:50

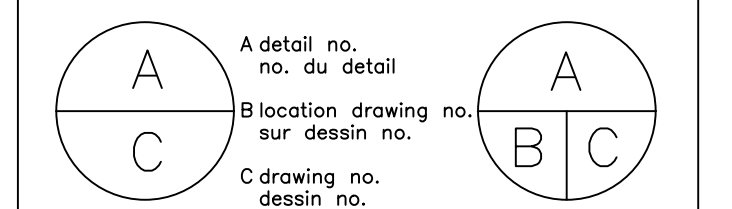


PLAN -DUAL TYPE II - SAR FLOAT TRIM WEIGHTS AND RUB BOARDS

NOTES:

- 1- TRIM WEIGHTS ARE TO BE PLACED AT CENTER OF THE FLOAT FOR TOWING TO SITE.
- 2- THE TRIM WEIGHT CHAIN IS TO BE SECURED TO THE SUSPENSION HARDWARE IN THE DRAIN HOLES AND ADEQUATE CHAIN RUN UP THE OUTSIDE FLOAT WALLS AND LASHED TO THE BULL RAILS.
- 3- THE TRIM WEIGHTS SHALL BE INSTALLED AT THE HARBOUR SITE. THE CHAIN ON THE BULL RAIL SHALL BE CONNECTED TO THE TRIM WEIGHT EMBEDDED LUG AND LOWERED WITH HOIST BRIDLE ON THE LIFT INSERTS.
- 4- THE SUSPENSION CHAIN SHALL BE TAKEN UP TO PULL THE TRIM WEIGHT BELOW THE DRAIN HOLES.

revisions	date



project / projet

**FISHERIES AND OCEANS CANADA
SMALL CRAFT HARBOURS**

drawing / dessin

**PLAN VIEW LAYOUT
CONCRETE OUTLINE**

**DUAL TYPE II - SAR FLOAT
TRIM WEIGHT DETAILS**

designed GJG / conçu

date 2016-08-25

drawn EB / dessiné

date 2016-08-25

approved / approuvé

date / Soumission

Tender / soumission

PWGSC Project Manager / Administrateur de projets TPSCG

project number / no. du projet

TRN.VHWY03002-05

drawing no. / no. du dessin

56134 - 0801 - R0 - CONCRETE FLOAT - SHEET 23

