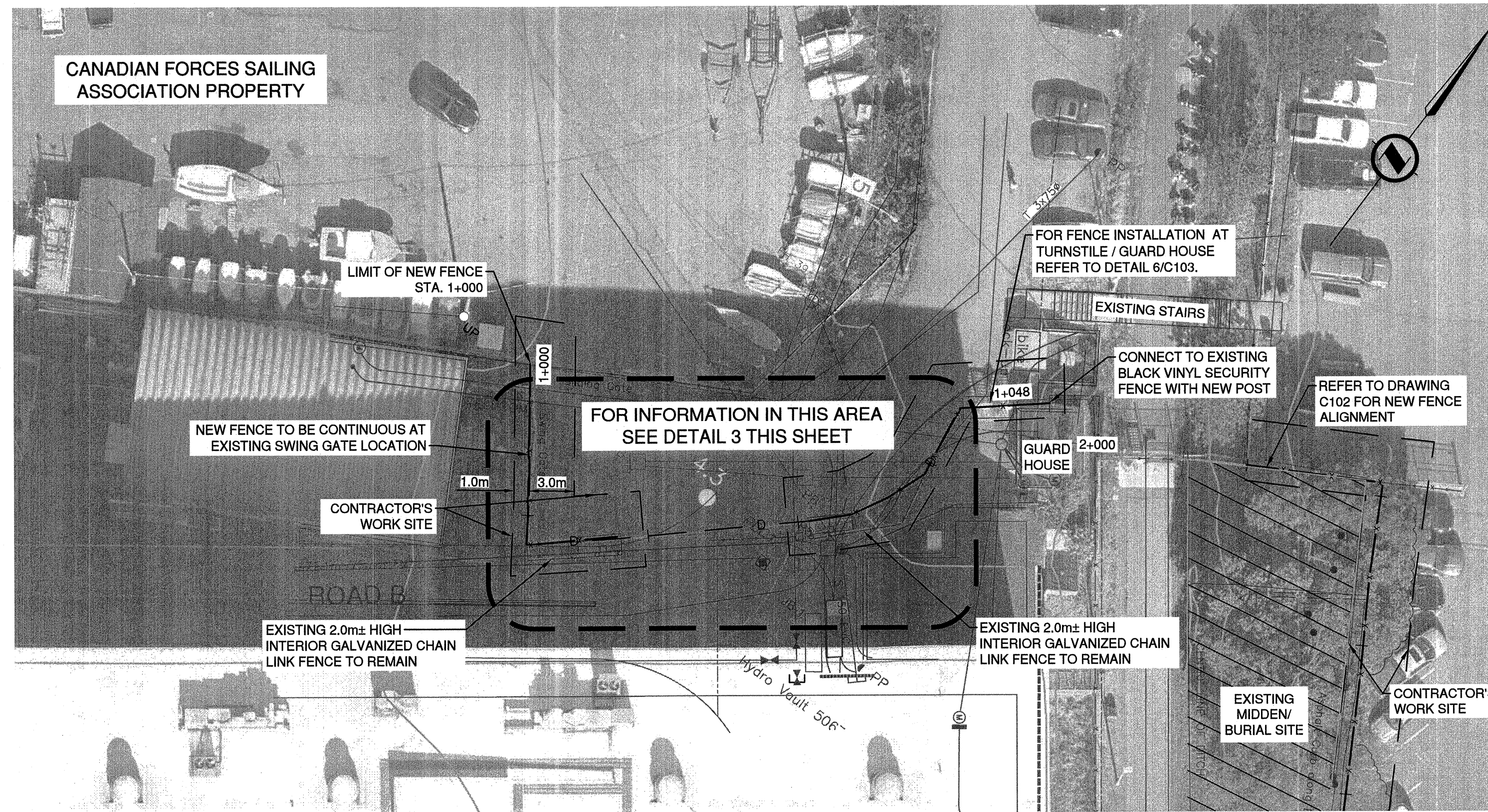
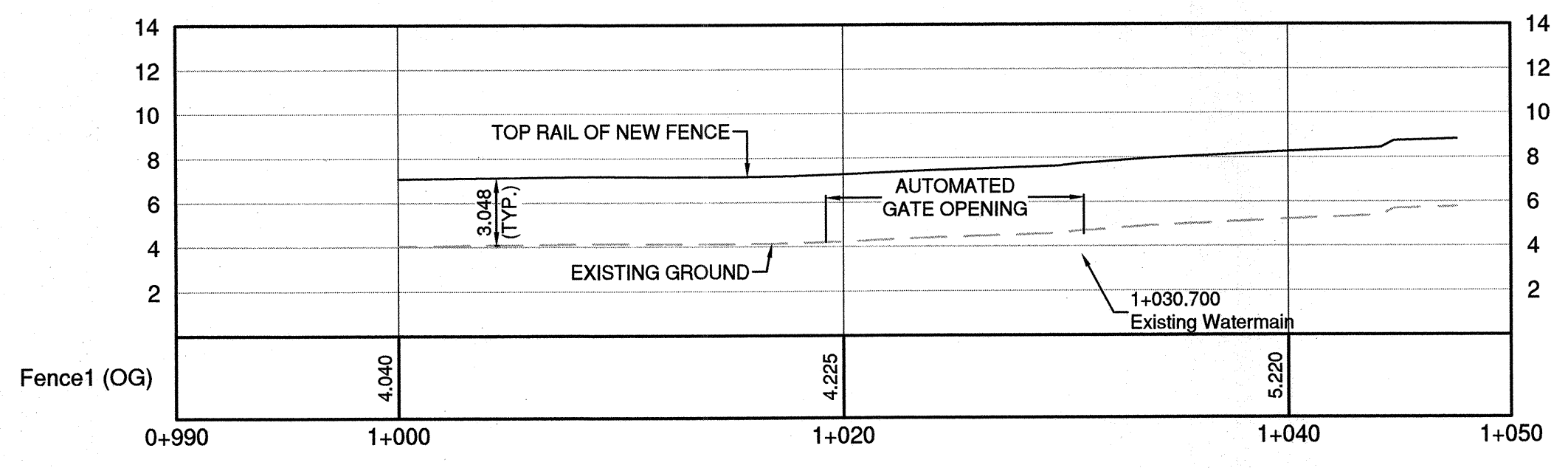




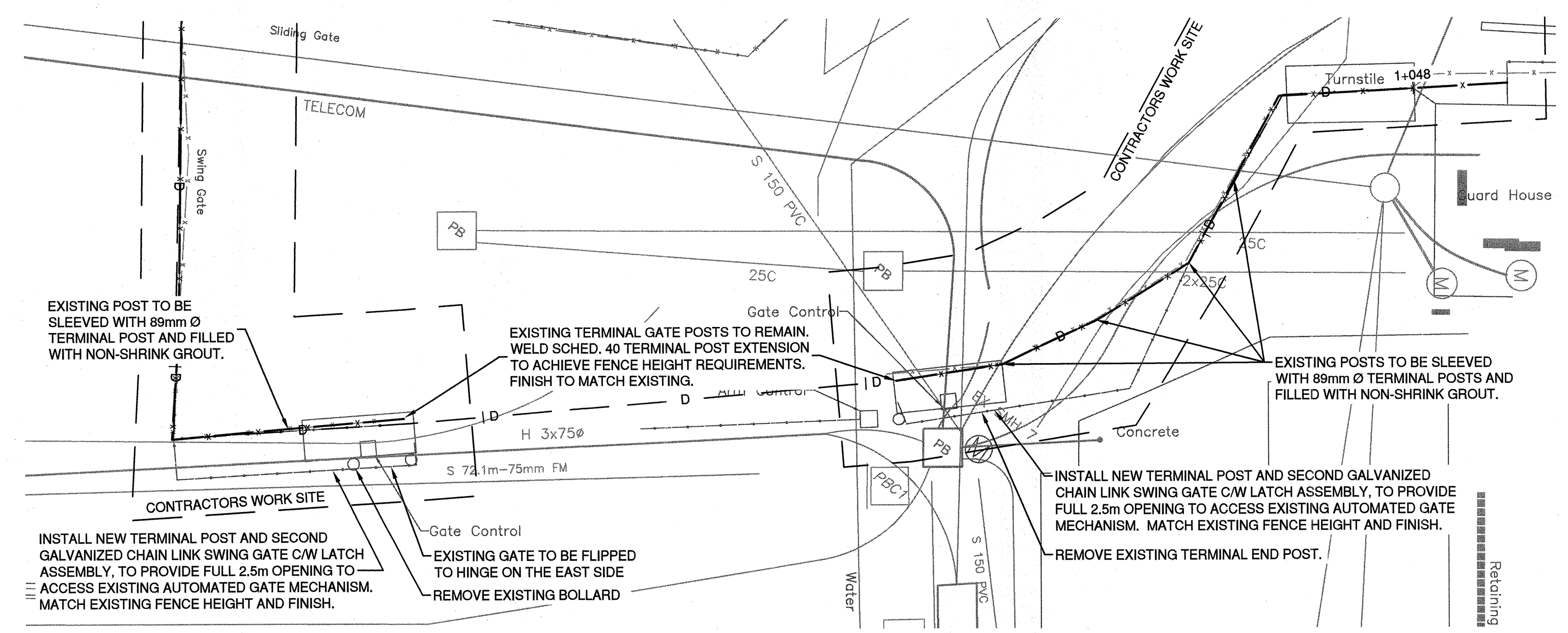
The Contractor shall verify and be responsible for all dimensions. DO NOT scale the drawing - any errors or omissions shall be reported to Stantec without delay. The Copyright to all designs and drawings are the property of Stantec. Reproduction or use for any purpose other than that authorized by Stantec is forbidden.



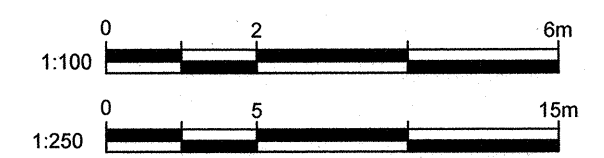
PLAN 1  
Scale: 1:250



PROFILE 2  
Scale: 1:250



DETAIL AT REAR GATE 3  
Scale: 1:100



*Ben Ataman*  
Asst. J. GISHAM  
Nov 18/16

Revision/Évaluation	Description/Description	Date/Date
0	ISSUED FOR TENDER	2016.11.18

Client/client  
**PUBLIC WORKS AND GOVERNMENT SERVICES CANADA**

Project title/Titre du projet  
**ESQUIMALT GRAVING DOCK  
825 ADMIRALS ROAD  
ESQUIMALT, BC**

**REPLACE WEST PERIMETER SECURITY FENCE**

Consultant Signature Only

Designed by/Concept par  
OL

Drawn by/Dessiné par  
HL  
PWSC Project Manager/Administrateur de Projets TPSGC  
JON SISKKA

Regional Manager, Architectural and Engineering Services  
Gestionnaire régionale, Services d'architecture et de génie, TPSGC

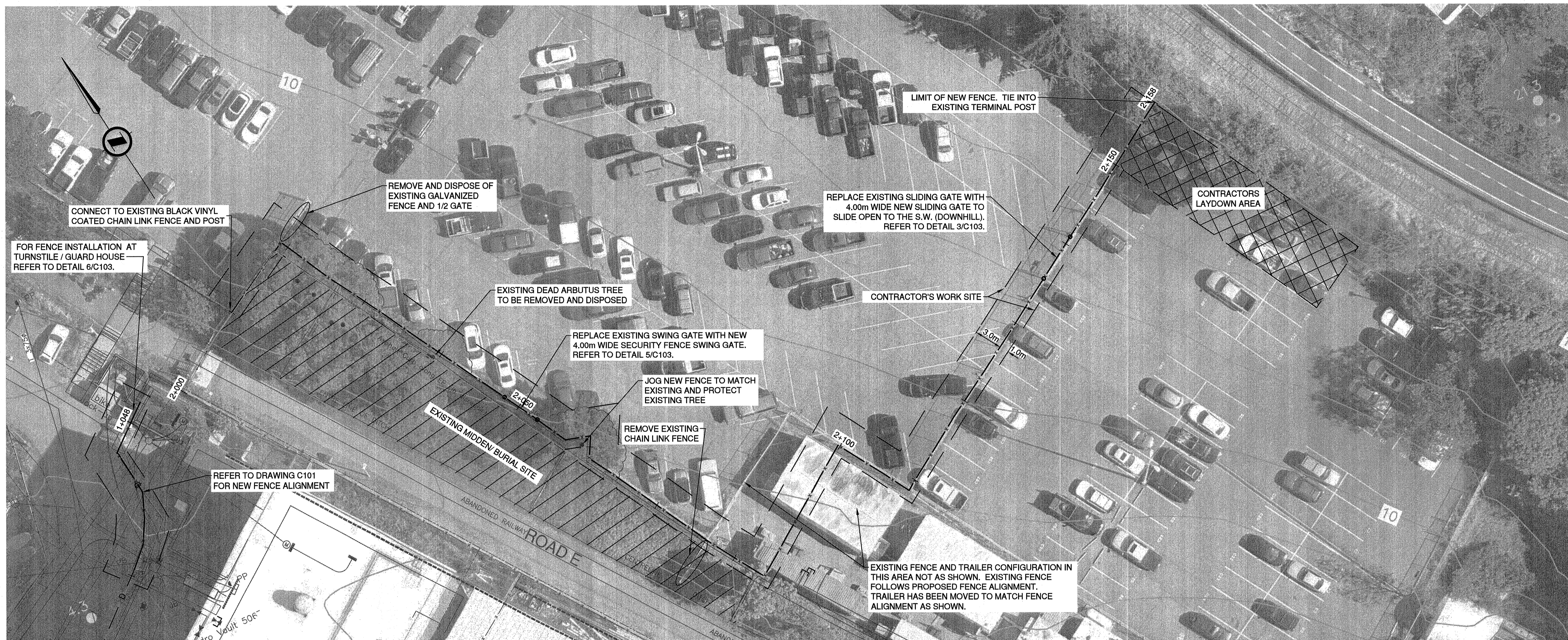
Drawing title/Titre du dessin

PLAN AND PROFILE  
STA 1+000 TO STA 1+048

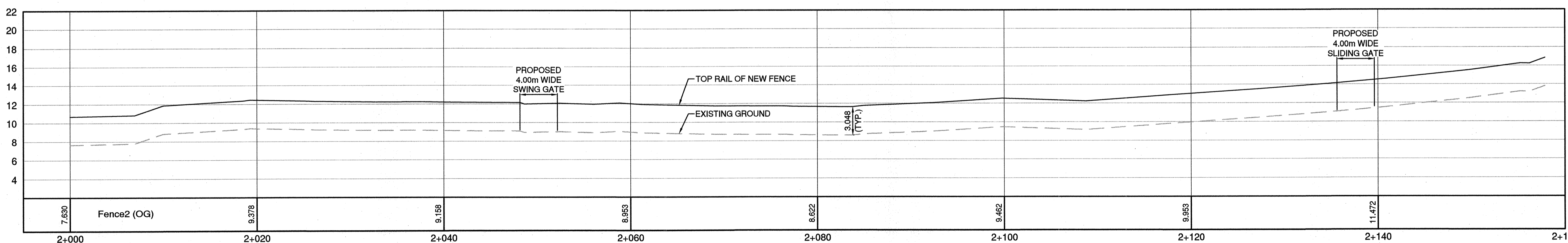
Project No./No. du projet	Sheet/Feuille	Revision no./La Révision no.
R.016116.179	C101	0

V:\1156\active\1156163003\replace\_perimeter\_security\_fence\drawings\current\1156163003\_plans.dwg

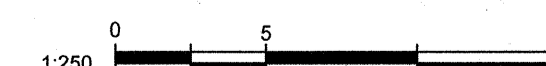
The Contractor shall verify and be responsible for all dimensions. DO NOT scale the drawing - any errors or omissions shall be reported to Stantec without delay. The Copyrights to all designs and drawings are the property of Stantec. Reproduction or use for any purpose other than that authorized by Stantec is forbidden.



PLAN 1  
Scale: 1:250



PROFILE 2  
Scale: 1:250



Revision/Revision	Description/Description	Date/Date
0	ISSUED FOR TENDER	2016.11.18

Client/client  
**PUBLIC WORKS AND GOVERNMENT SERVICES CANADA**

Project title/Titre du projet  
**ESQUIMALT GRAVING DOCK  
825 ADMIRALS ROAD  
ESQUIMALT, BC**

**REPLACE WEST PERIMETER SECURITY FENCE**

Consultant Signature Only  
Designed by/Concept par OL  
Drawn by/Dessiné par HL  
PWSC Project Manager/Administrateur de Projets TPSGC  
JON SISKKA  
Regional Manager, Architectural and Engineering Services  
Gestionnaire régional, Services d'architecture et de génie, TPSGC

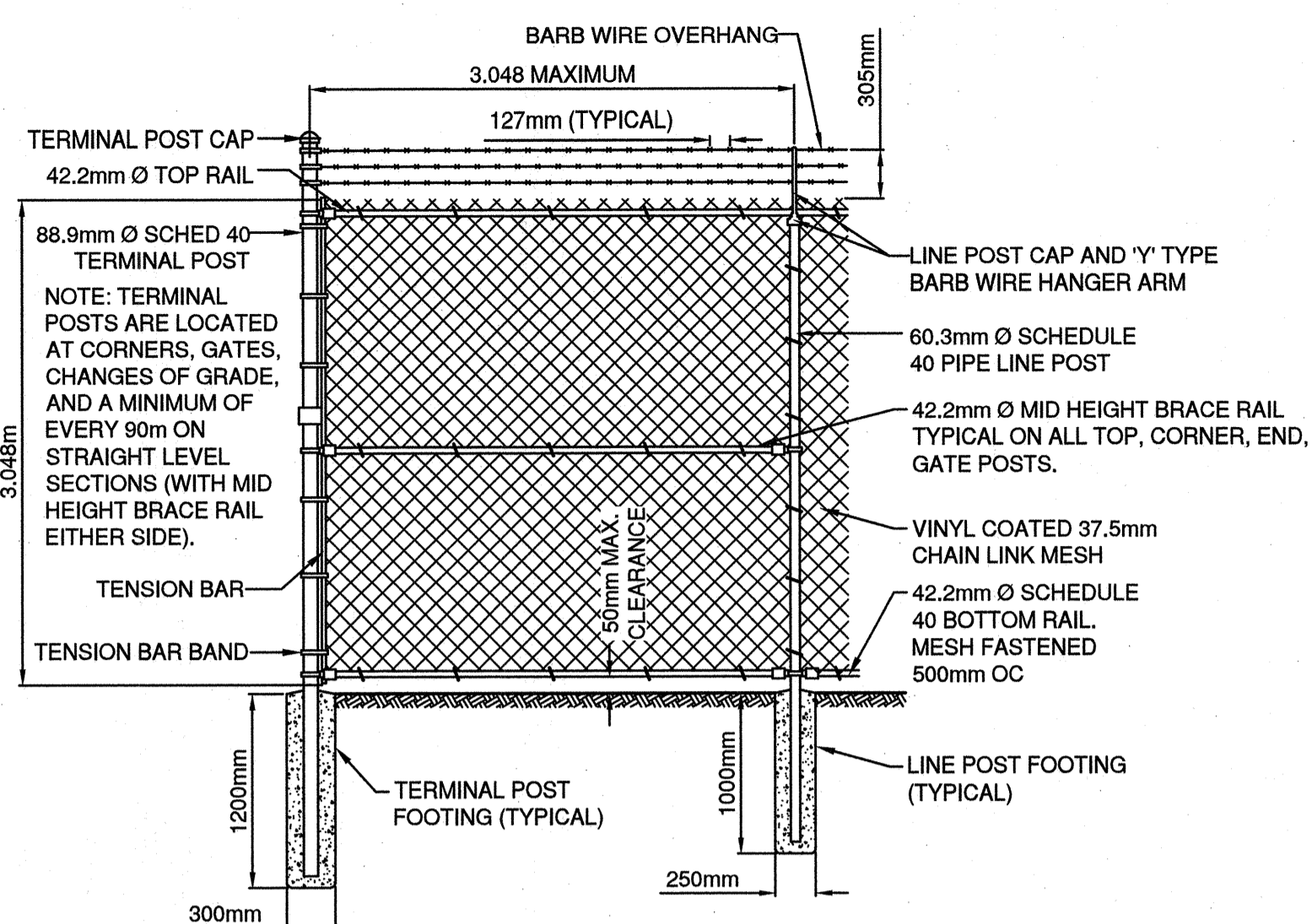
Drawing title/Titre du dessin  
**PLAN AND PROFILE  
STA 2+000 TO STA 2+158**

Project No./No. du projet <b>R.016116.179</b>	Sheet/Feuille <b>C102</b>	Revision no./Le Révision no. <b>0</b>
--	------------------------------	--

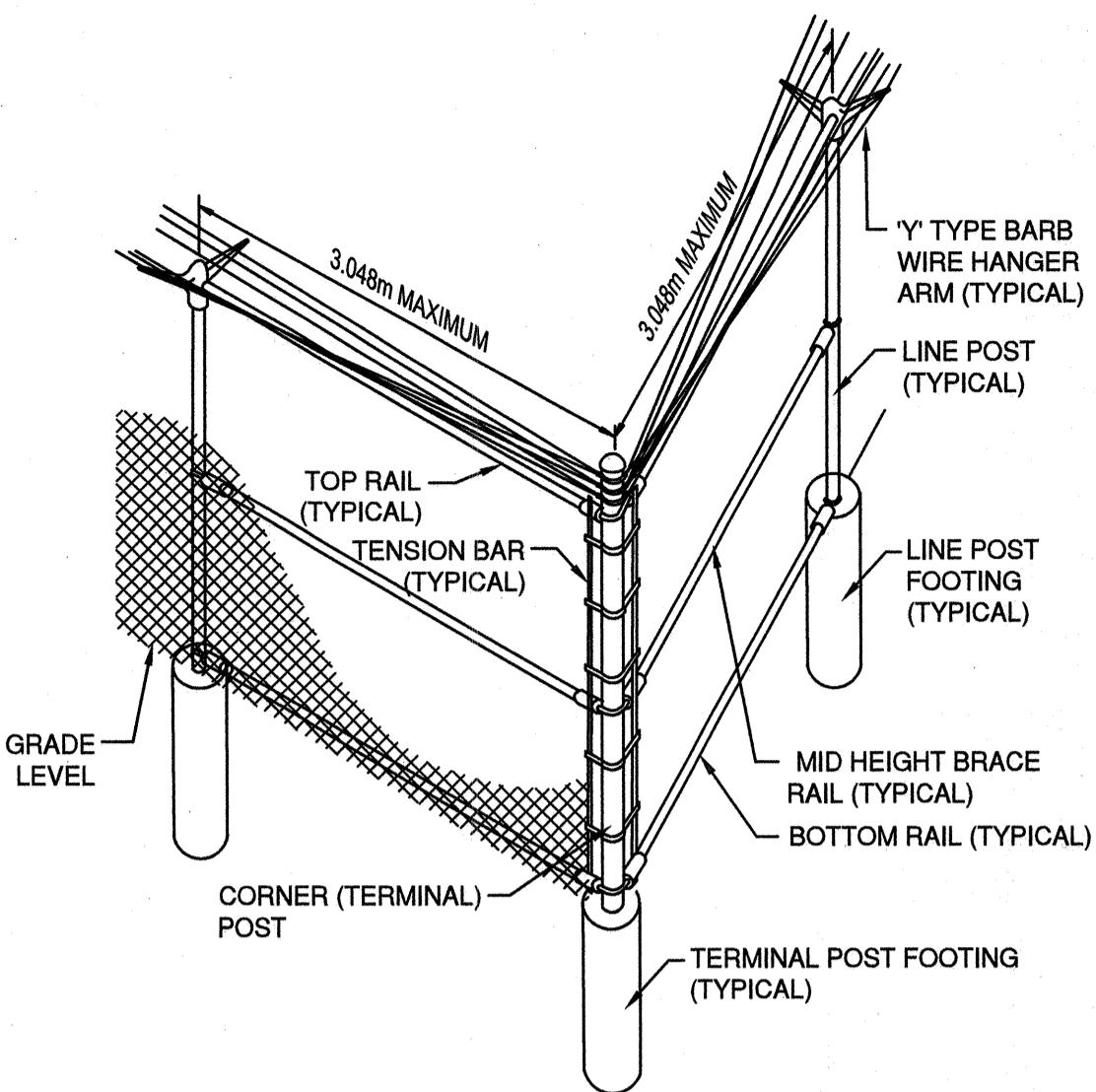
V:\156\active\115616305\8\_replace\_perimeter\_security\_fence\drawings\current\115616305\_plans.dwg



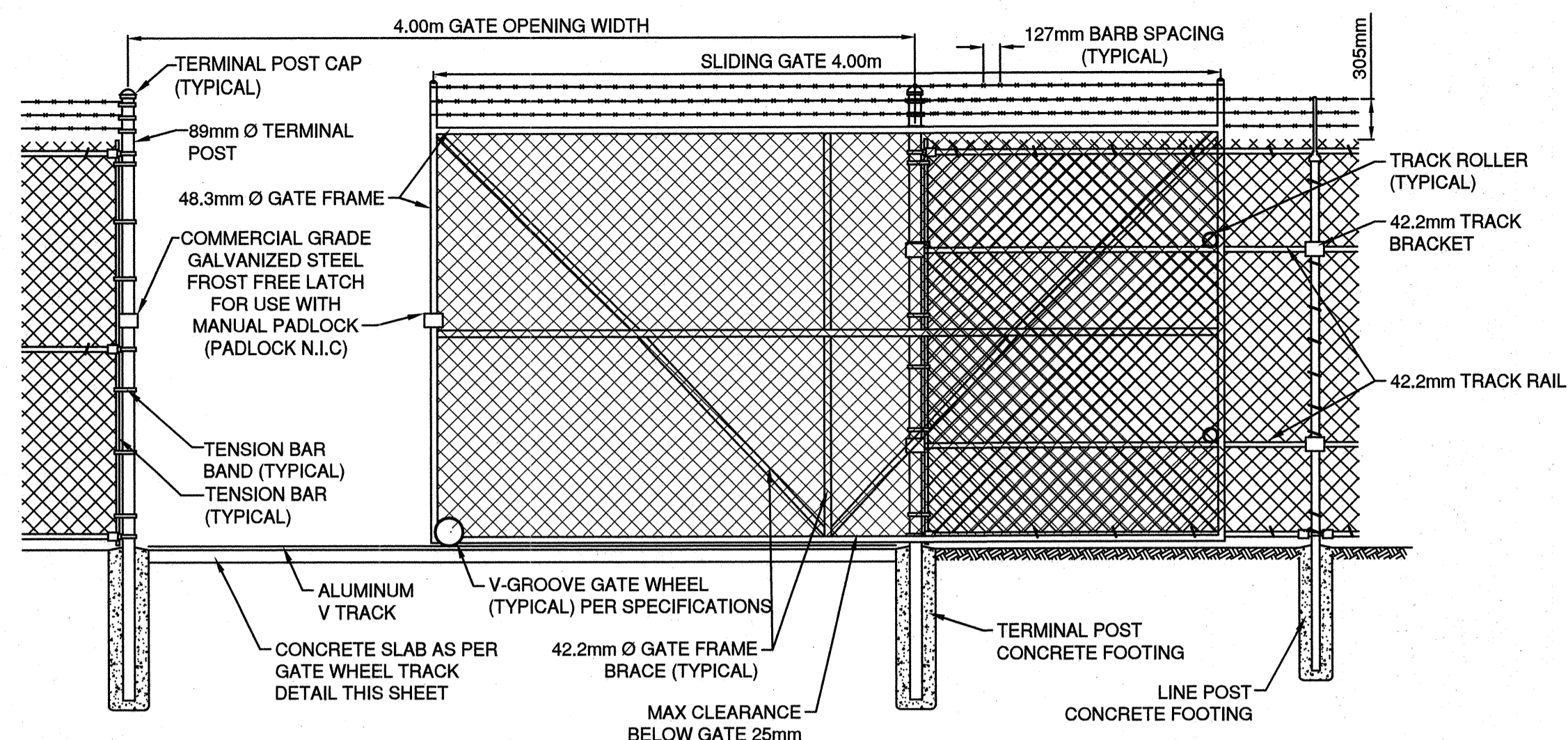
The Contractor shall verify and be responsible for all dimensions. DO NOT scale the drawing - any errors or omissions shall be reported to Stantec without delay. The Copyright in all designs and drawings are the property of Stantec. Reproduction or use for any purpose other than that authorized by Stantec is forbidden.



TYPICAL FENCE AND TERMINAL END DETAIL (1)  
N.T.S.

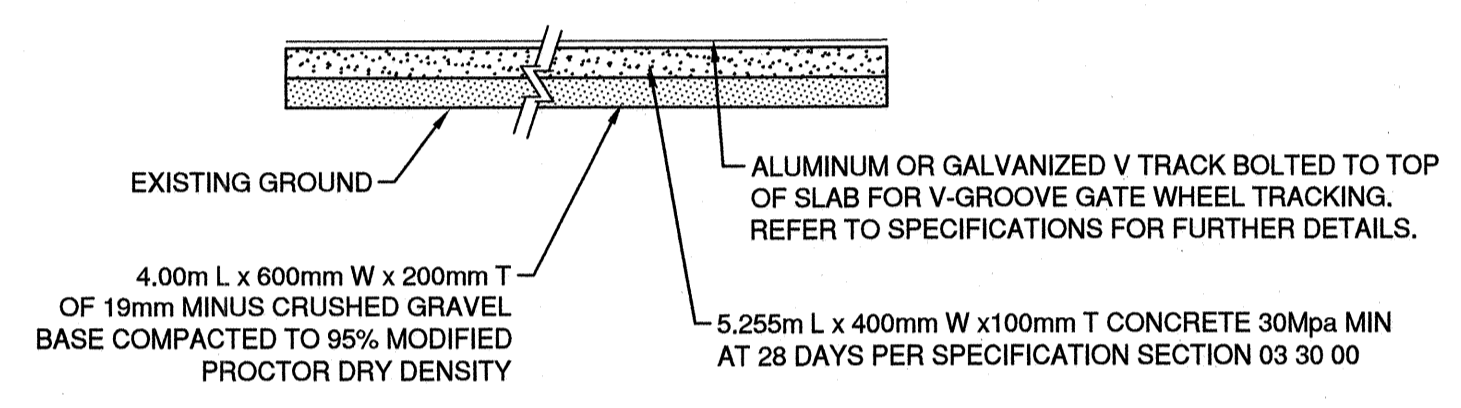


FENCE CORNER DETAIL (2)  
N.T.S.

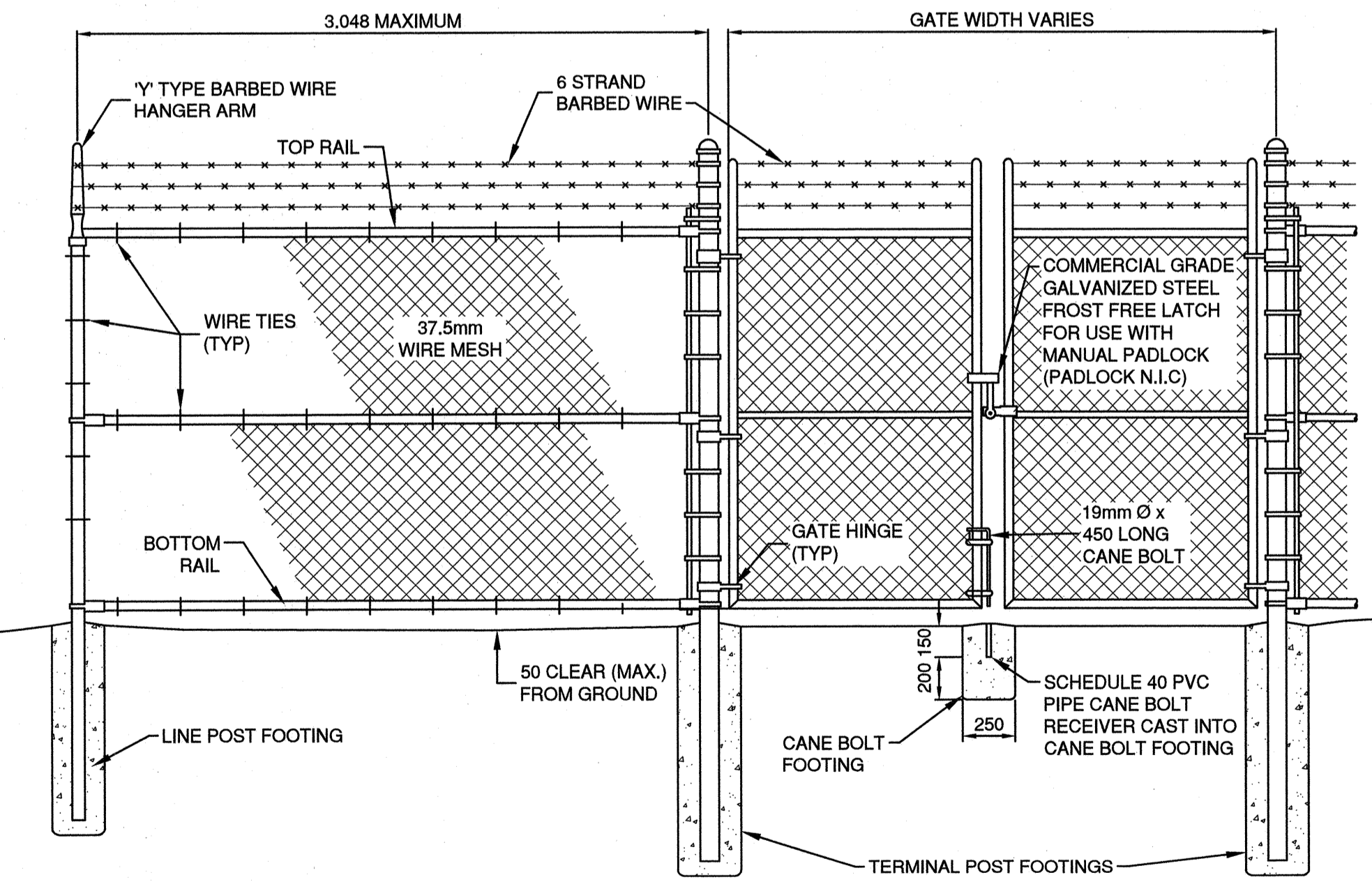


SLIDING GATE DETAIL (3)  
N.T.S.

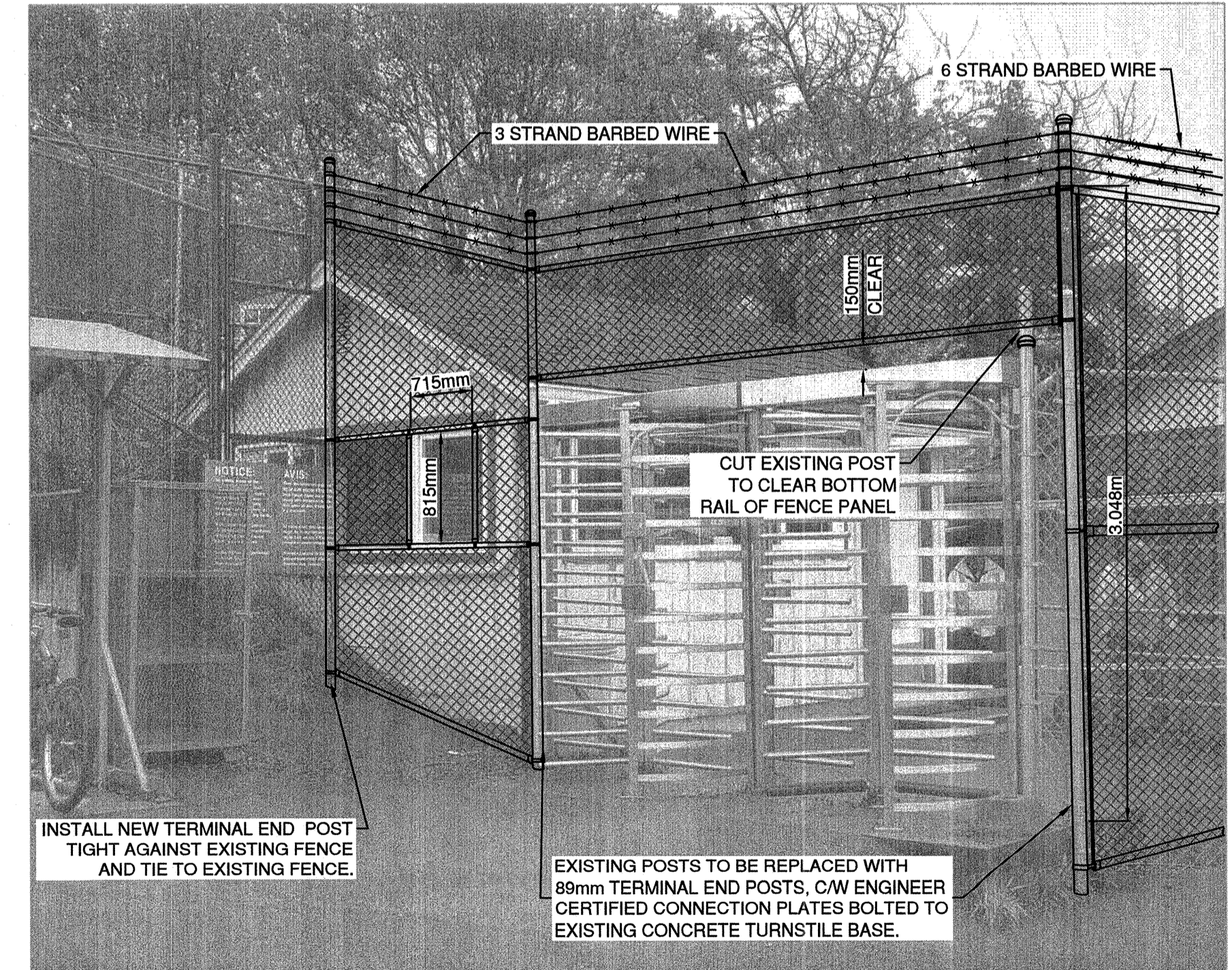
FENCE HEIGHT	SOIL EXCAVATED		BEDROCK DRILLED
	TERMINAL POST	LINE POST	
3.048m	1.200m D x 0.300m W	1.000m D x 0.250m W	0.400m



GATE WHEEL TRACK DETAIL (4)  
N.T.S.



TYPICAL SWING GATE DETAIL (5)  
N.T.S.



DETAIL AT TURNSTILE / GUARD HOUSE (6)  
N.T.S.

Revision/Description	Date/Date
0 ISSUED FOR TENDER	2016.11.18

Client/client  
**PUBLIC WORKS AND GOVERNMENT SERVICES CANADA**

Project title/Titre du projet  
**ESQUIMALT GRAVING DOCK  
825 ADMIRALS ROAD  
ESQUIMALT, BC**

**REPLACE WEST PERIMETER SECURITY FENCE**

Consultant Signature Only

Designed by/Concept par  
OL

Drawn by/Dessiné par  
HL

PWGC Project Manager/Administrateur de Projets TPSGC  
JON SISKKA

Regional Manager, Architectural and Engineering Services  
Gestionnaire régionale, Services d'architecture et de génie, TPSGC

Drawing title/Titre du dessin

FENCE DETAILS

Project No./No. du projet	Sheet/Fauille	Revision no./La Révision no.
R.016116.179	C103	0

V:\1156\active\115616305\B\_replace\_perimeter\_security\_fence\4\_drawings\current\115616305\_plans.dwg

