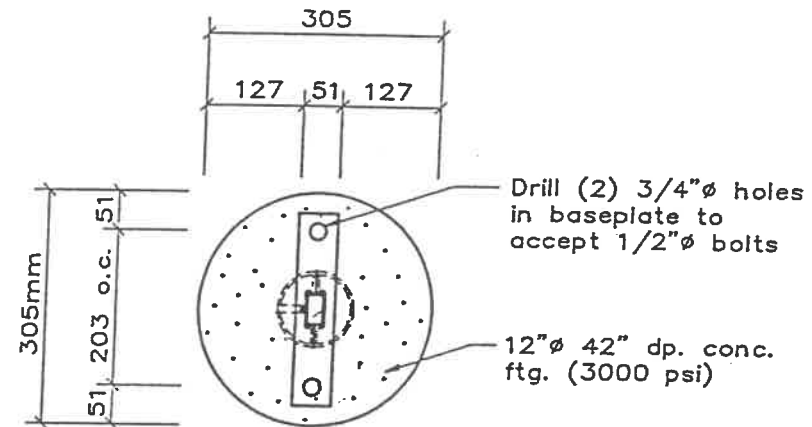
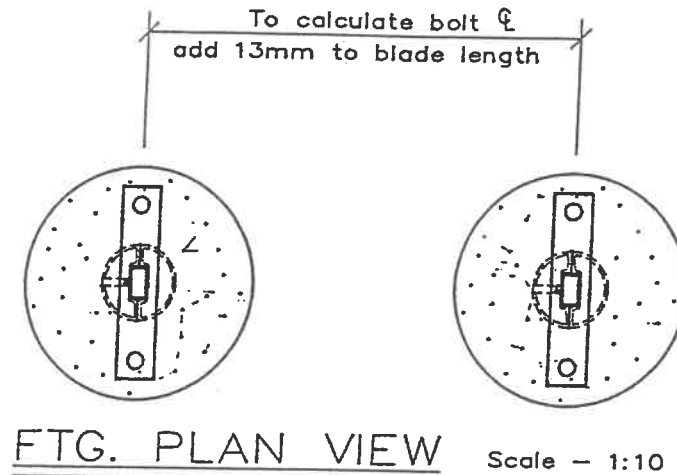


FTG. END VIEW Scale - 1:10



Approved for fabrication

Drawing approval supersedes all previous instructions and/or specifications written or verbal.

By *[Signature]*
Customer

KING

KING PRODUCTS LIMITED
Revision · Date · By

1		
2		
3		
4		

Tolerances unless otherwise noted shall be commercial

Drawn CT	Date 9/5/88
-------------	----------------

Checked	Approved
---------	----------

Customer
Canadian Gov't
Expos & A/V Centre
440 Coventry Rd.
Ottawa, Ontario
K1A 0T1

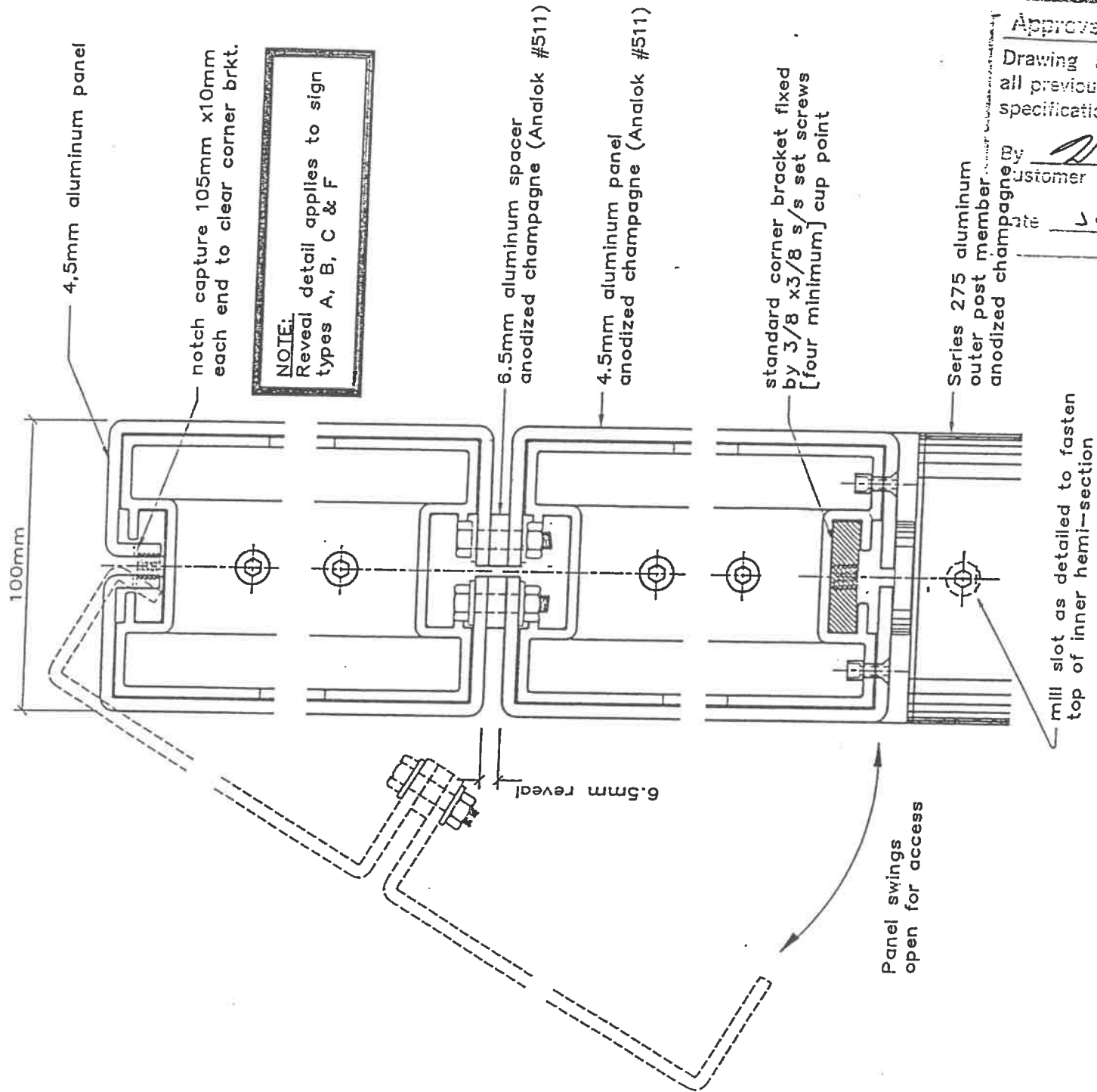
Job Title
National Gallery
of Canada
Ottawa, Ontario

Series 275
Footing detail

Job No.
13315

Quantity

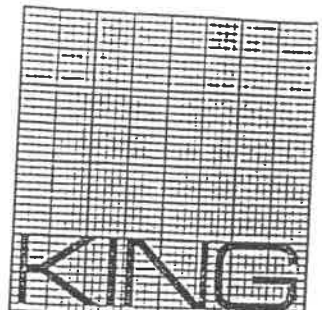
Drawing No. A2011-28B



NOTE:
Reveal detail applies to sign types A, B, C & F

Approved for fabrication
 Drawing approval supersedes all previous instructions and/or specifications written or verbal.
 By *[Signature]*
 Customer
 Date JUNE 17/88

Typ. Reveal Section
 Scale - 1:2



KING PRODUCTS LIMITED
 Revision - Date - By

1	
2	
3	
4	

Tolerances unless otherwise noted shall be commercial

Drawn CT	Date 15/6/88
Checked	Approved

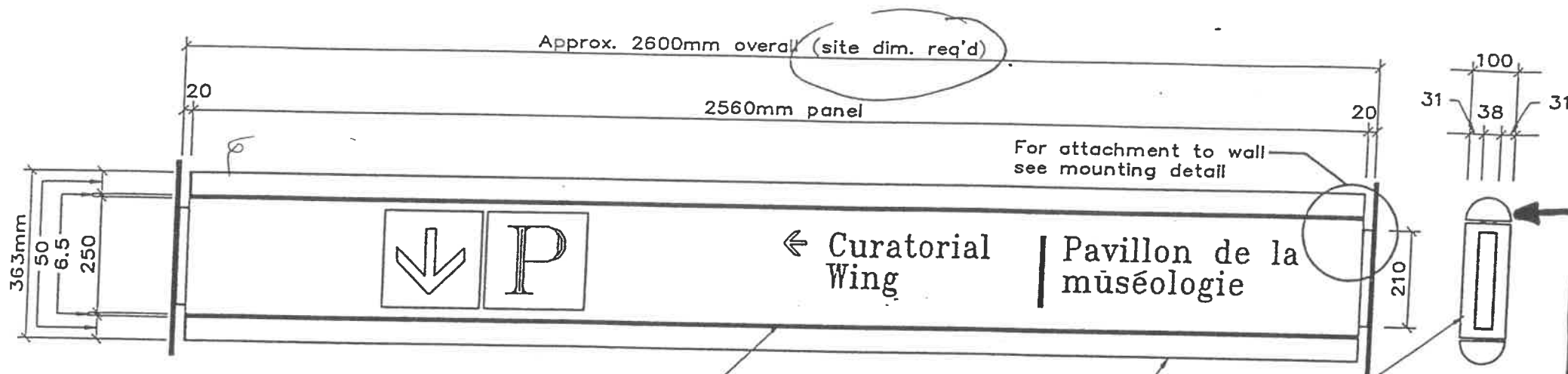
Customer
 Canadian Gov't
 Expos & A/V Centre
 440 Coventry Rd.
 Ottawa, Ontario
 K1A 0T1

Job Title
 National Gallery
 of Canada
 Ottawa, Ontario
 Series 275
 Ground signs

Job No.
 13315

Quantity

Drawing No. 2011-28C



Elevation Scale - 1:12.5

Side View
Scale - 1:12.5

ANODIZED CHAMPAGNE (ANALOK #511)
Panel painted light grey
Series 275 framing anodized champagne (Analok #511)

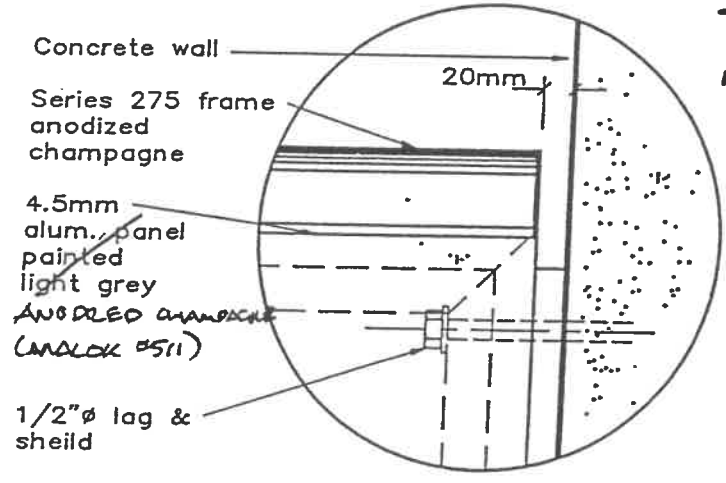
Removeable side panel

★ IS IT POSSIBLE
TO REMOVE THE
TOP CAP
NOV 1/88



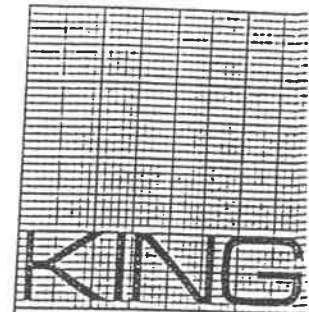
CUSTOMER TO PROVIDE:
• COLOUR SAMPLE/SPECS
• ARTWORK FOR VINYL APPL.

NOTE: Copy on (1) side only
See dwg. A2011-41 for graphic layouts



Mounting Detail Scale - 1:12.5

Approved for fabrication
Drawing approval supersedes all previous instructions and/or specifications written or verbal
By [Signature]
Customer
Date JUNE 17, 1988



KING PRODUCTS LIMITED
Revision - Date - By
1 14/6/88 CT
revise finish

- 2
- 3
- 4

Tolerances unless otherwise noted shall be commercial

Drawn CT	Date 2/6/88
Checked	Approved

Customer
Canadian Gov't
Expos & A/V Centre
440 Coventry Rd.
Ottawa, Ontario
K1A 0T1

Job Title
National Gallery
of Canada
Ottawa, Ontario

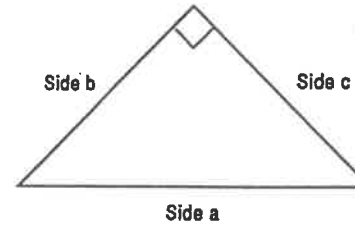
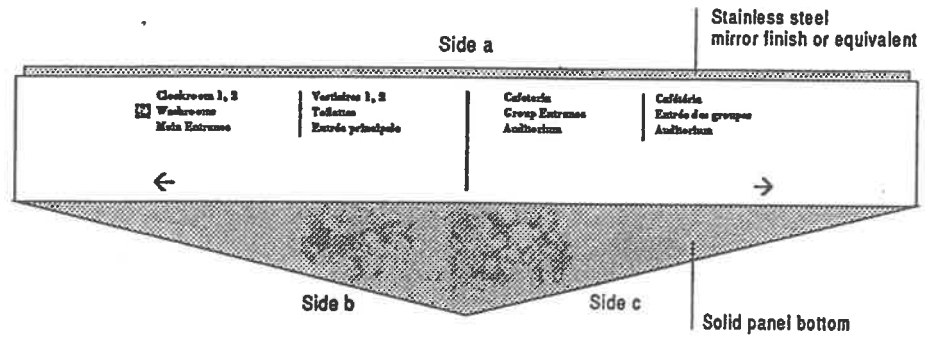
Type 275
Custom exterior
Parking sign G

Job No.
13315

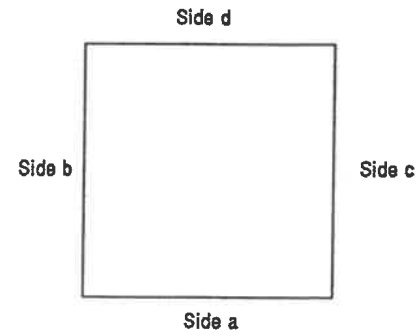
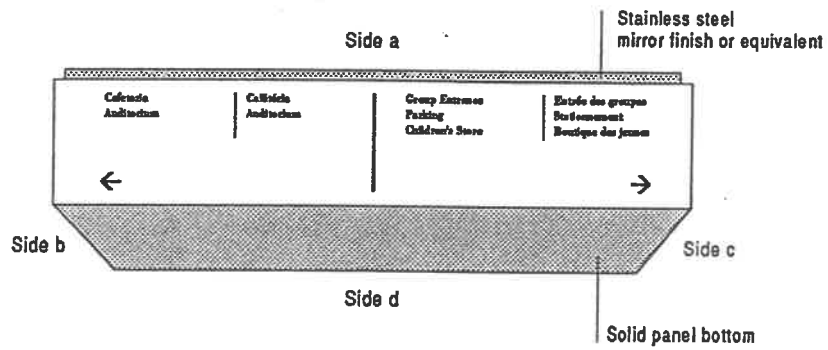
Quantity
(1) req'd

Drawing No. A2011-40

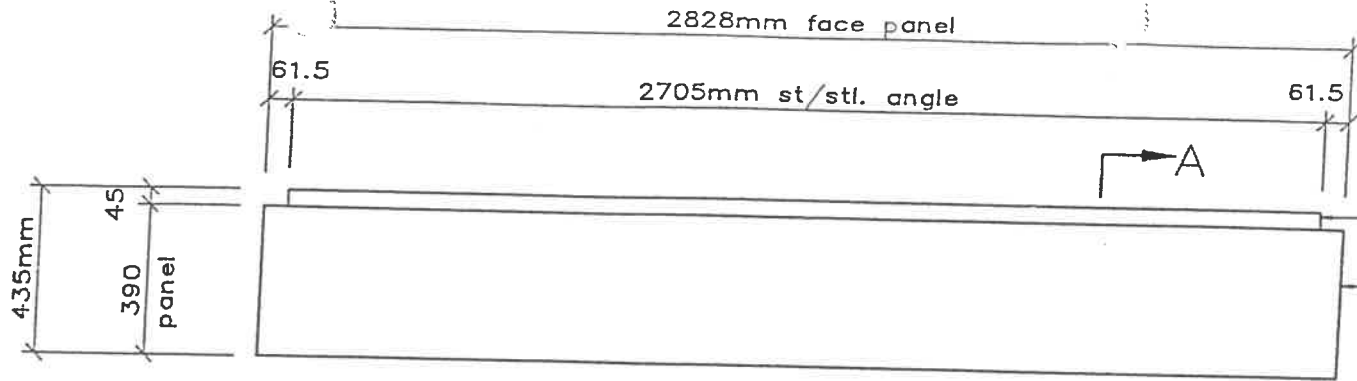
Sign 1, 2



Sign 3, 4



<i>Project</i>	National Gallery of Canada
	Specifications for fabrication
<i>Drawing Title</i>	Tour Group Directional
<i>Drawing No.</i>	1A
<i>Scale</i>	NTS
<i>Date</i>	22 April, 1988

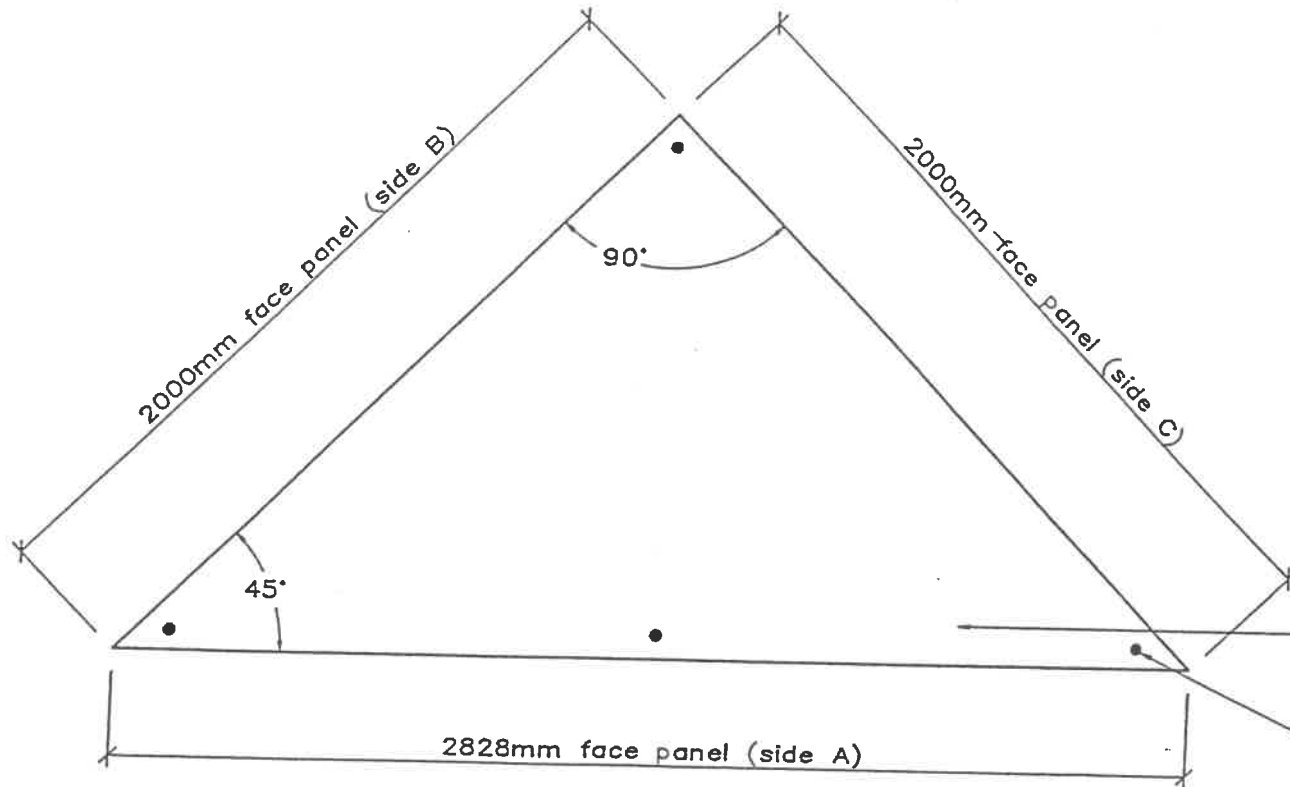


Side "A" Elevation Scale - 1:20

TUDHOPE TO SUPPLY
GRAPHIC LAYOUT.

16 ga. st/stl. trim with mirror polished finish
4.5mm aluminum panel anodized champagne (Analok #511) \triangle

Approved for fabrication
Drawing approval supersedes all previous instructions and/or specifications written or verbal.
By [Signature]
Customer:
Date JUNE 17/88



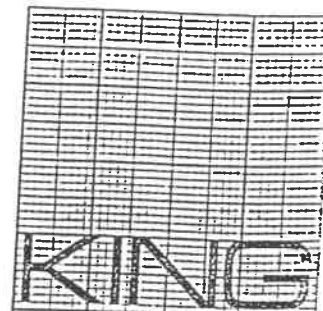
Reflected Plan View Scale - 1:20



CUSTOMER TO PROVIDE:
• DETAILED INSTRUCTIONS FOR ACTUAL GRAPHIC LAYOUT

4.5mm alum. bottom panel anodized champagne (Analok #511) \triangle

Site inspect to locate convenient structure for mntg. points (at ceiling line)
THERE IS TO BE NO VISIBLE FASTENING METHOD.



KING PRODUCTS LIMITED

Revision · Date · By
 \triangle 14/6/88 CT revise finish

- \triangle
- \triangle
- \triangle
- \triangle

Tolerances unless otherwise noted shall be commercial

Drawn CT Date 9/5/88

Checked Approved

Customer
Canadian Gov't
Expos & A/V Centre
440 Coventry Rd.
Ottawa, Ontario
K1A 0T1

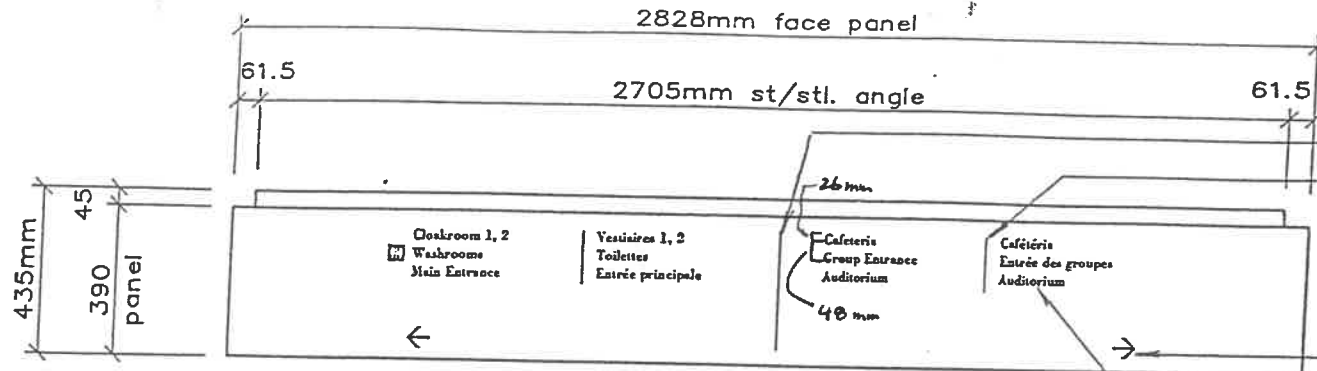
Job Title
National Gallery
of Canada
Ottawa, Ontario \otimes

Custom triangular
Overhead directional
Signs

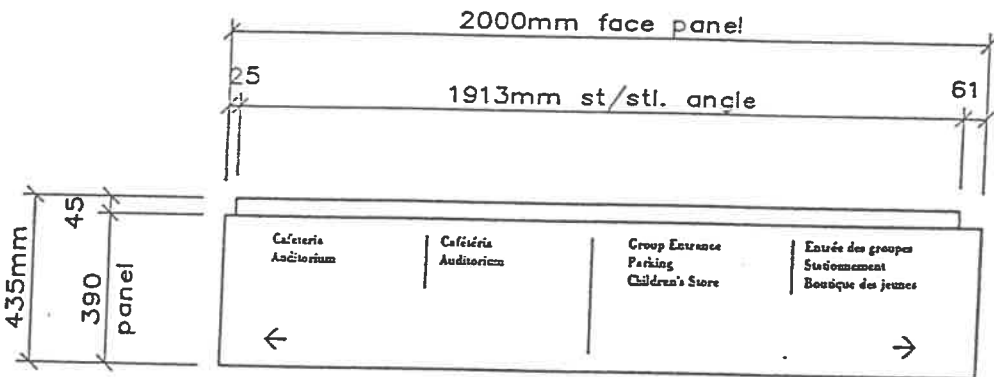
Job No. 13315

Quantity (2) req'd
see graphic layout

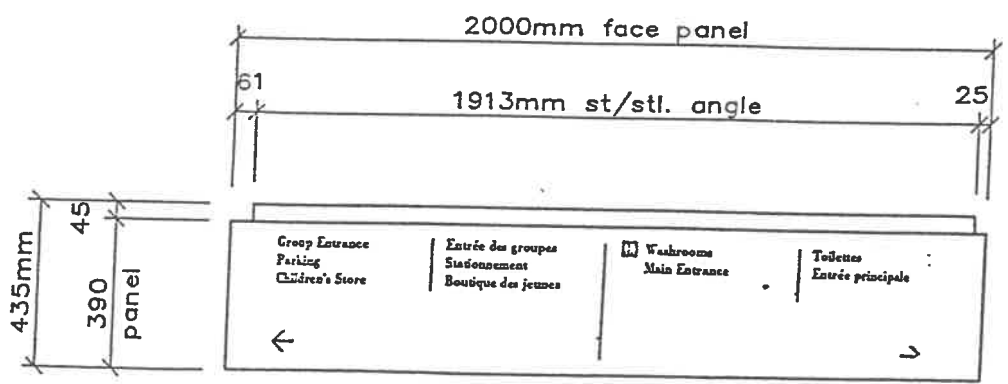
Drawing No. A2011-1



Side "A" Graphics Scale - 1:20



Side "B" Graphics Scale - 1:20

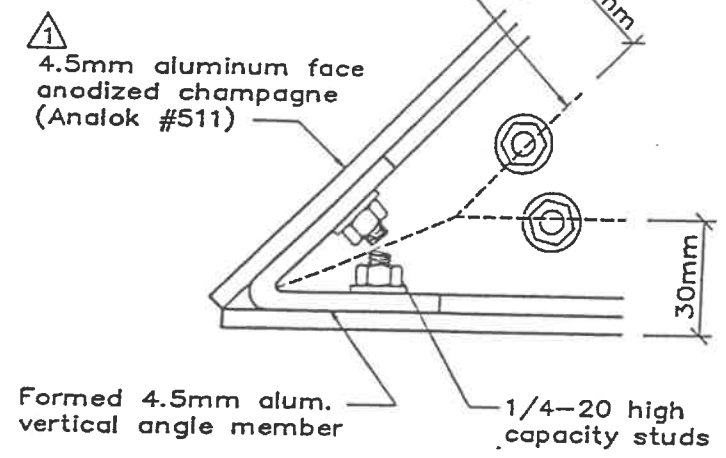


Side "C" Graphics Scale - 1:20

Centre vertical rule engraved and infill black
 Smaller vertical rules applied in white pressure sensitive vinyl (matte finish)
 Arrow applied in black pressure sensitive vinyl (matte finish)

Approved for printing Bodoni bold copy applied in dark grey pressure sensitive vinyl (matte finish) with 26mm cap height
 Drawing approval superseding all previous instructions and specifications written or verbal.
 By [Signature]
 Customer
 Date JUNE 17/88
 Line of ceiling angle above

DARK GREY OR BLACK VINYL COPY TO BE DETERMINED ON ANODIZED PANEL SAMPLE



Section "B" Scale - 1:2

KING

KING PRODUCTS LIMITED
 Revision Date By
 14/6/88 CT revise finish

- △
- △
- △
- △

Tolerances unless otherwise noted shall be commercial

Drawn	Date
CT	9/5/88
Checked	Approved

Customer
 Canadian Gov't
 Expos & A/V Centre
 440 Coventry Rd.
 Ottawa, Ontario
 K1A 0T1

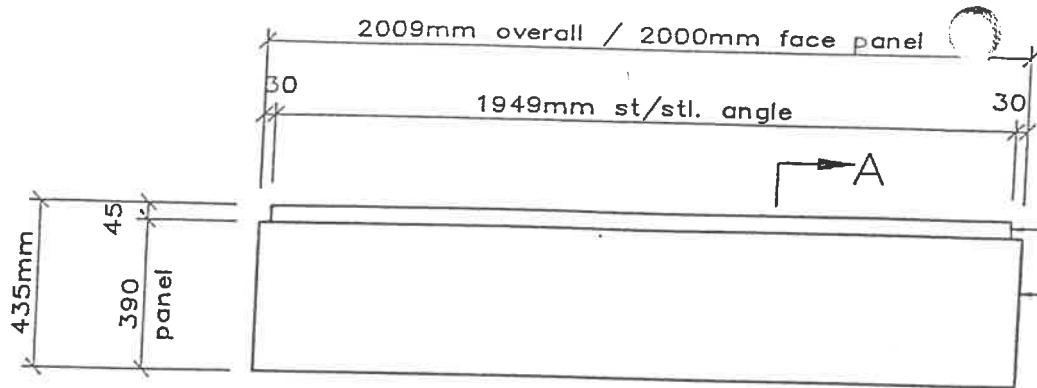
Job Title
 National Gallery
 of Canada
 Ottawa, Ontario

Custom triangular Sign #1

Job No.
 13315

Quantity

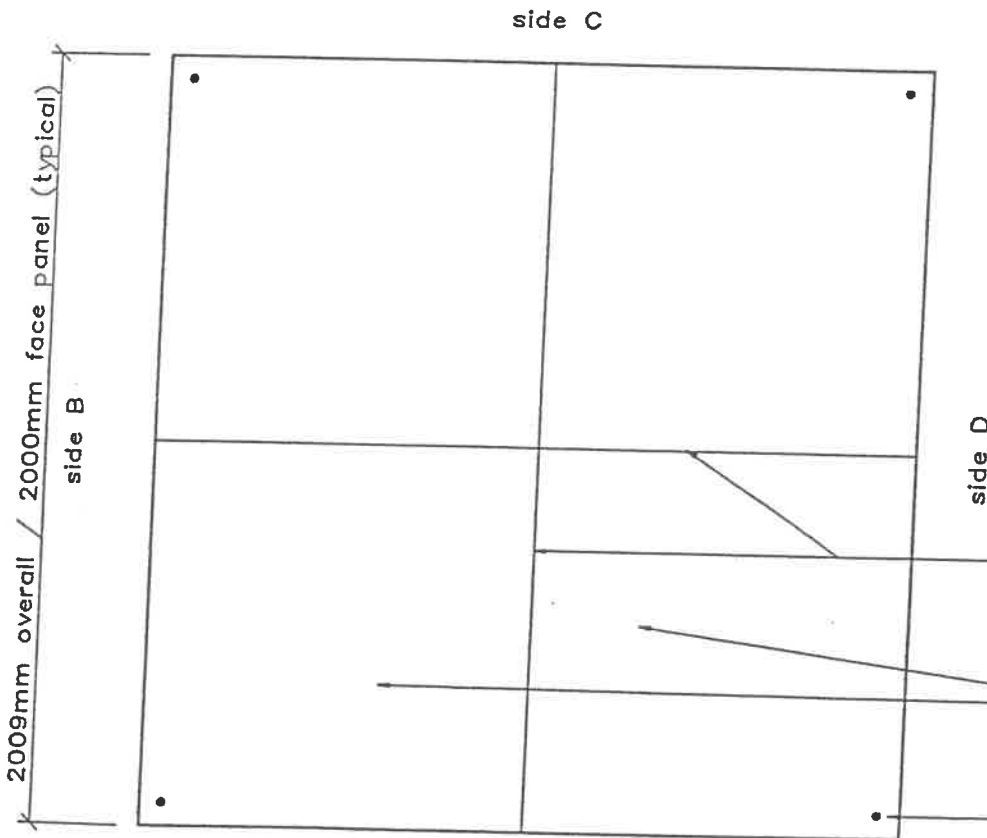
Drawing No. A2011-2



Side "A" Elevation

Scale - 1:20

16 ga. st./stl. trim with mirror polished finish
 4.5mm aluminum panel anodized champagne (Analok #511) ¹



Reflected Plan View Scale - 1:20

panel seam
 (4) piece 4.5mm alum. bottom panel ¹
 anodized champagne (Analok #511) finish

Site inspect to locate convenient structure for mntg. points (at ceiling line)

THERE IS TO BE NO VISIBLE FASTENING METHOD.

Approved for fabrication
 Drawing approval supersedes all previous instructions and/or specifications written or verbal.
 By [Signature]
 Customer
 Date JUNE 17/88

KING

KING PRODUCTS LIMITED

Revision · Date · By
¹ 14/6/88 CT
 revise finish

²
³
⁴

Tolerances unless otherwise noted shall be commercial

Drawn CT.	Date 9/5/88
Checked	Approved

Customer
 Canadian Gov't
 Expos & A/V Centre
 440 Coventry Rd.
 Ottawa, Ontario
 K1A 0T1

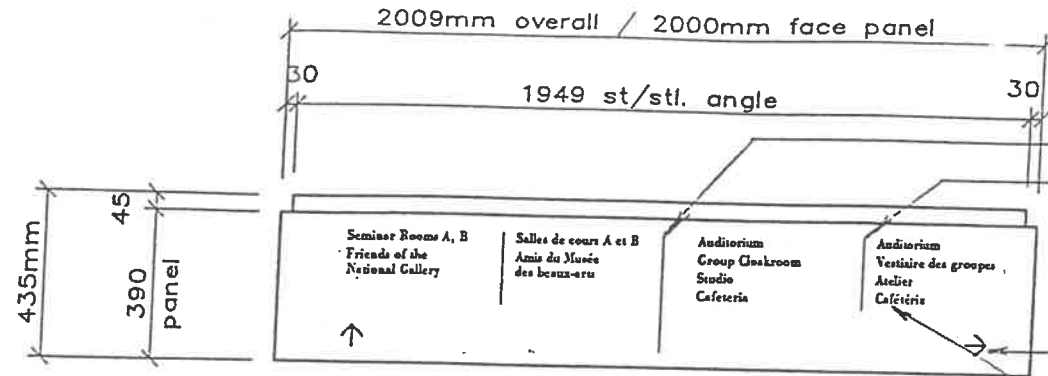
Job Title
 National Gallery
 of Canada
 Ottawa, Ontario

Custom square ⁵
 Overhead directional
 Signs

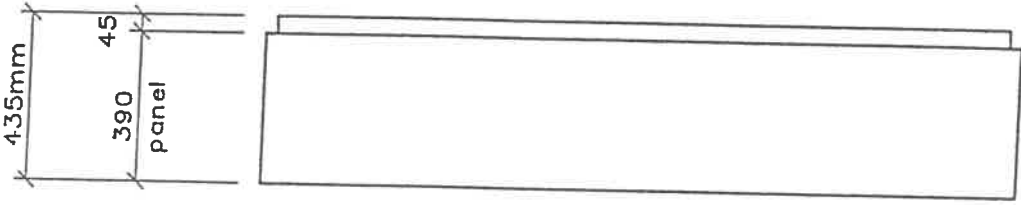
Job No.
 13315

Quantity (2) req'd
 see graphic layout

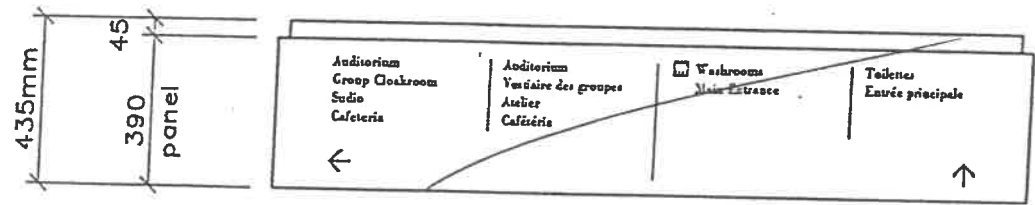
Drawing No. A2011-4



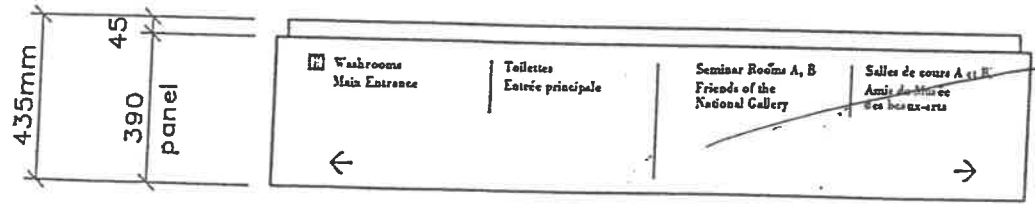
Side "A" Graphics Scale - 1:20



Side "B" Graphics Scale - 1:20



Side "C" Graphics Scale - 1:20



Side "D" Graphics Scale - 1:20

Centre vertical rule engraved and infill black

Smaller vertical rules applied in white pressure sensitive vinyl (matte finish)

Arrow applied in black pressure sensitive vinyl (matte finish)

Bodoni bold copy applied in dark grey pressure sensitive vinyl (matte finish) with 26mm cap height

SEE NOTE A2011-2

Approved for fabrication

KING

Drawing approval superseding all previous instructions and specifications written or verbal

KING PRODUCTS LIMITED

Revision: Date: By: 14/6/88 CT

By: *A. D. [Signature]*

Customer: JUNE 17/88

- 1
- 2
- 3
- 4

Tolerances unless otherwise noted shall be commercial

Drawn: CT Date: 9/5/88

Checked: Approved

Customer: Canadian Gov't Expos & A/V Centre 440 Coventry Rd. Ottawa, Ontario K1A 0T1

Job Title: National Gallery of Canada Ottawa, Ontario

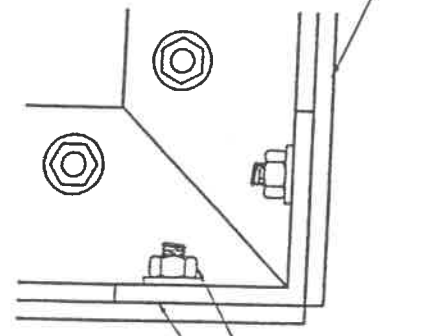
Custom square Sign #1

Job No. 13315

Quantity

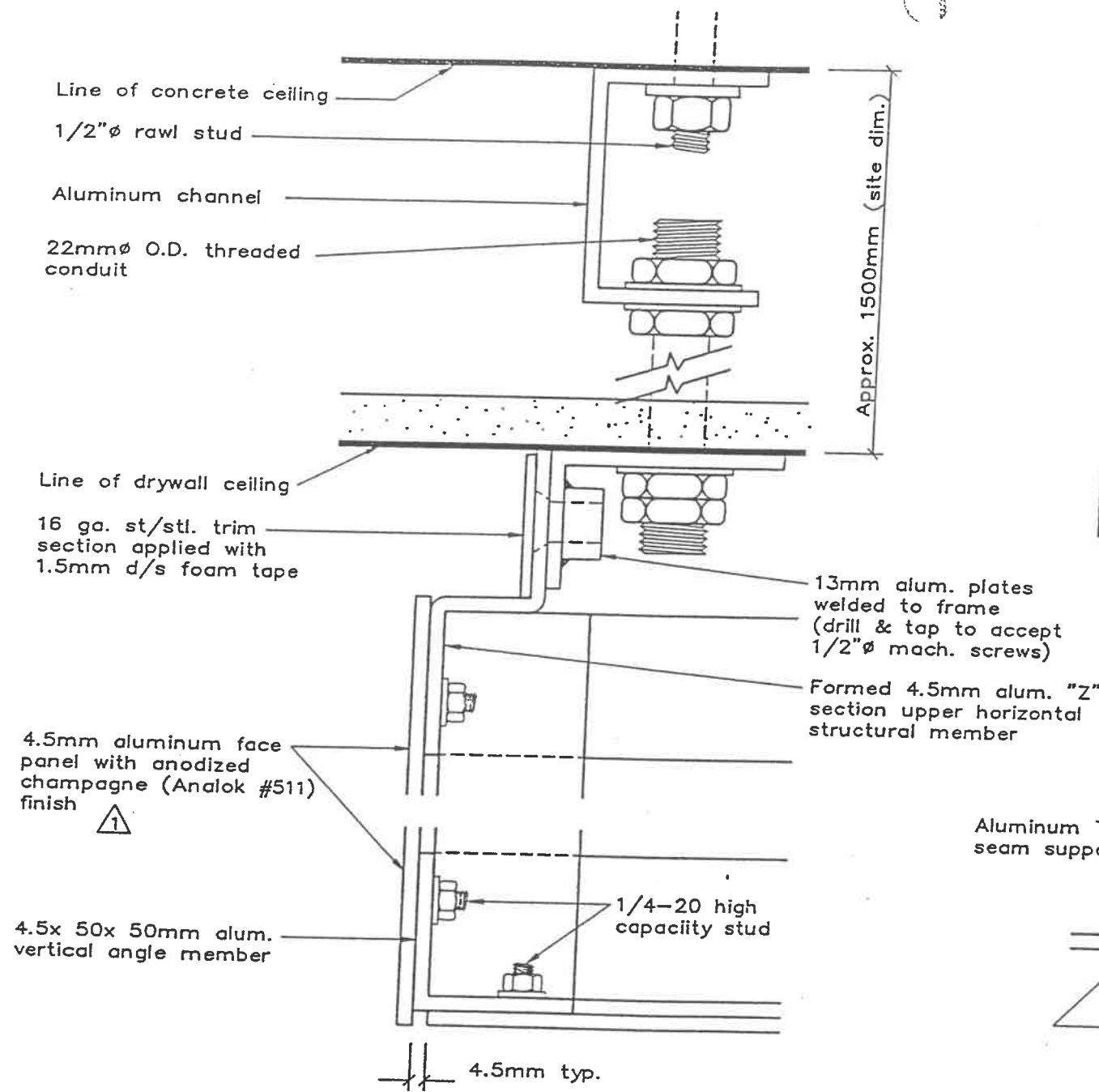
Drawing No. A2011-5

4.5mm aluminum face panel with anodized champagne (Analok #511) finish



4.5x 50 x50 alum. vertical angle member 1/4-20 high capacity studs

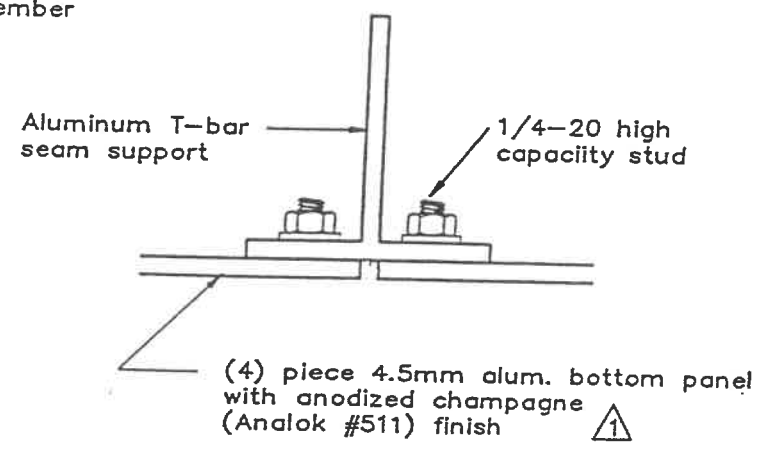
Section "C" Scale - 1:2



Section "A" Scale - 1:2

Approved for fabrication
 Drawing approval supersedes all previous instructions and/or specifications written or verbal.
 By *[Signature]*
 Customer
 Date June 7/88

DRYWALL CEILING TO BE OPENED BY KPL FOR CEILING STRUCTURE ACCESS



Seam Detail Scale - 1:2

KING

KING PRODUCTS LIMITED

Revision - Date - By
 1 14/6/88 CT
 revise finish

- 2
- 3
- 4

Tolerances unless otherwise noted shall be commercial

Drawn CT Date 9/5/88

Checked Approved

Customer
 Canadian Gov't
 Expos & A/V Centre
 440 Coventry Rd.
 Ottawa, Ontario
 K1A 0T1

Job Title
 National Gallery
 of Canada
 Ottawa, Ontario

Custom overhead
 Directional signs

Job No.
 13315

Quantity

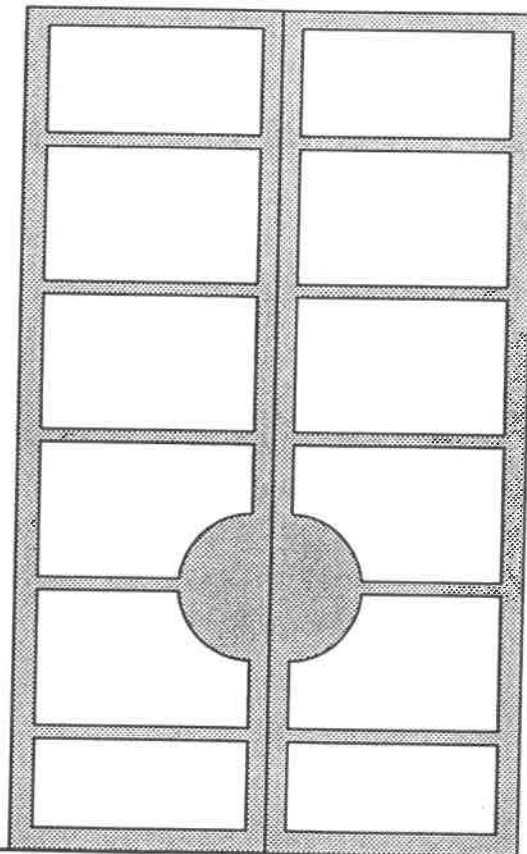
Drawing No. A2011-8

Gal

Size As - 64 mm cap height

European and
American
Galleries

Galleries d'art
européen et
américain



MAJOR GALLERY ID - PINNED LETTERS

MATERIAL:

Aluminum, 4.5 mm thickness

PROCESS:

- natural sheet aluminum is brushed coarsely
- letters are cut and finished
- letters are then anodized dark grey (graphite)

INSTALLATION:

Letters are pinned to granite wall with 4 mm spacer

Placement and spacing of pinned letters to be used with template approved by Tudhope Associates Inc.

ART:

Specifications to be supplied by TAI

Typeface - Bodoni Bold, 64 mm cap height

NOTE:

Room #3004, 3021 to be cut at 85 mm cap height.
Installation template to be left with National Gallery maintenance staff.

<i>Project</i>	National Gallery of Canada
	Specifications for fabrication
<i>Drawing Title</i>	Major Gallery ID - Pinned
<i>Drawing No.</i>	1
<i>Scale</i>	NTS
<i>Date</i>	March, 1988

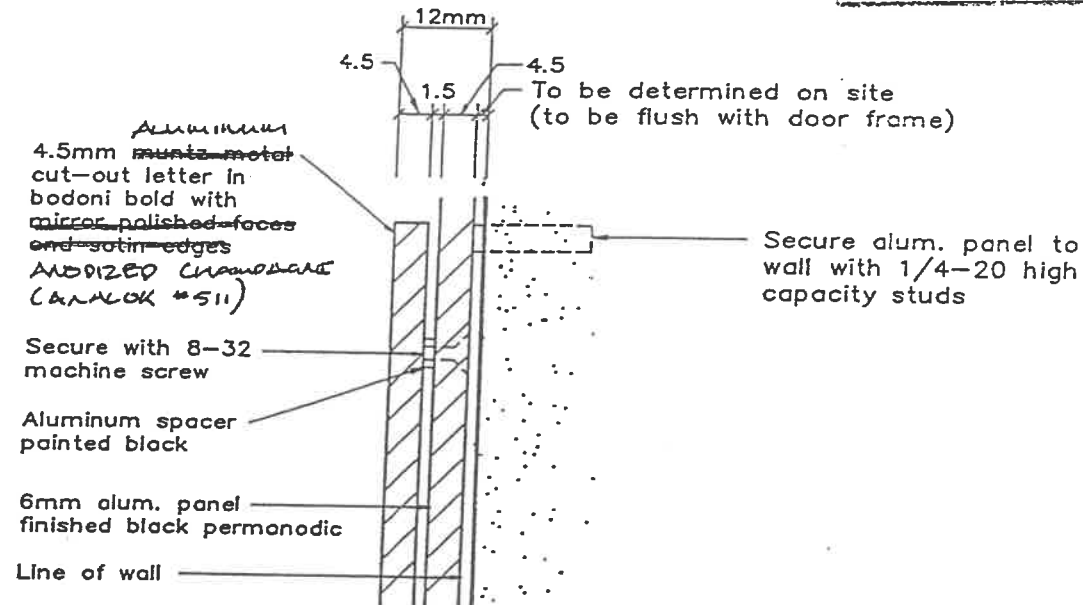
Tudhope Associates Inc.

Approved for fabrication

Drawing approval supersedes all previous instructions and/or specifications written or verbal.

By M. Helph
Customer

Date JUNE 17/88



Typical Section Scale - F.S.

KING

KING PRODUCTS LIMITED
Revision · Date · By

△

△

△

△

Tolerances unless otherwise noted shall be commercial

Drawn CT Date 4/6/88

Checked Approved

Customer
Canadian Gov't
Expos & A/V Centre
440 Coventry Rd.
Ottawa, Ontario
K1A 0T1

Job Title
National Gallery
of Canada
Ottawa, Ontario

Custom series 300
Panel signs

Job No.
13315

Quantity

Drawing No. A2011-14A