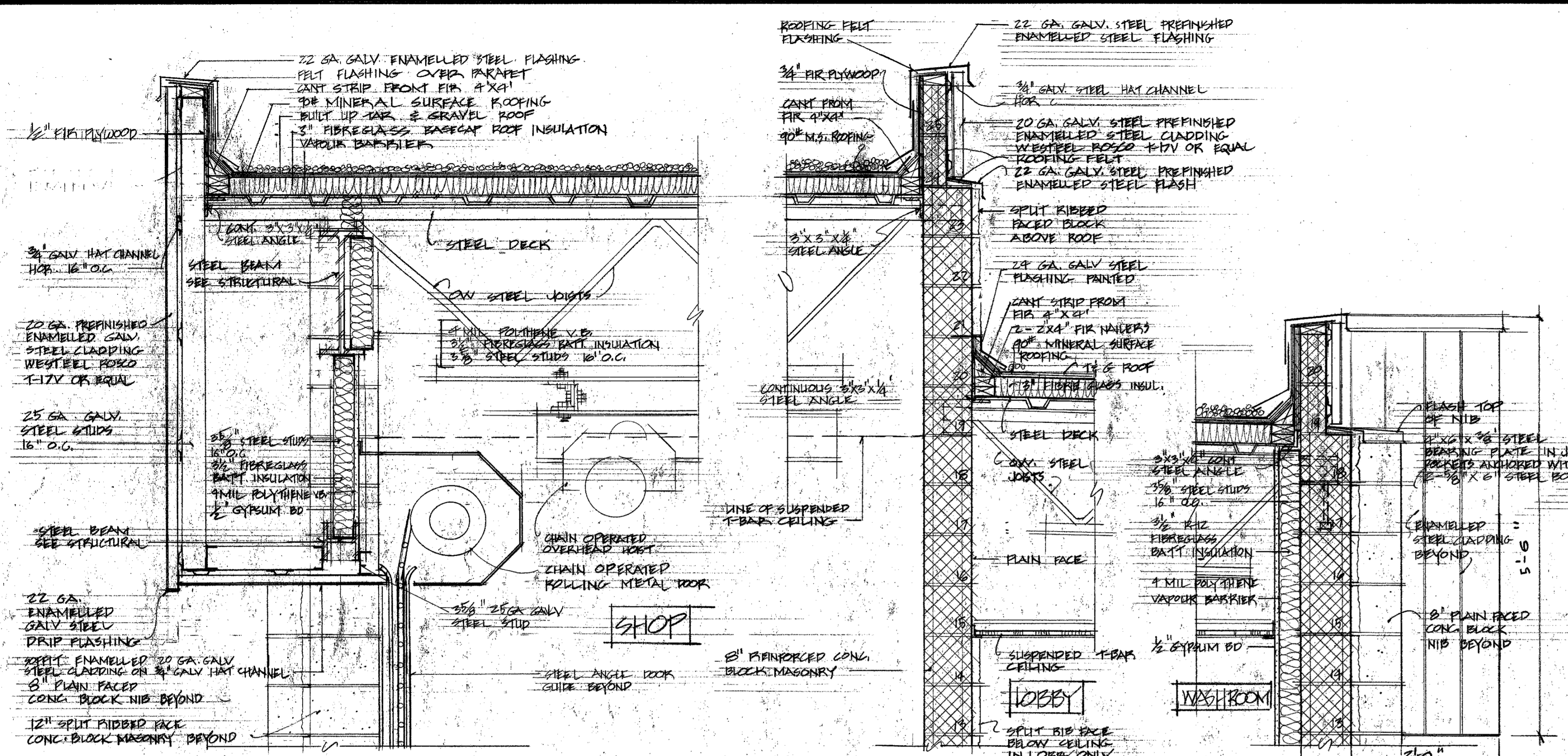


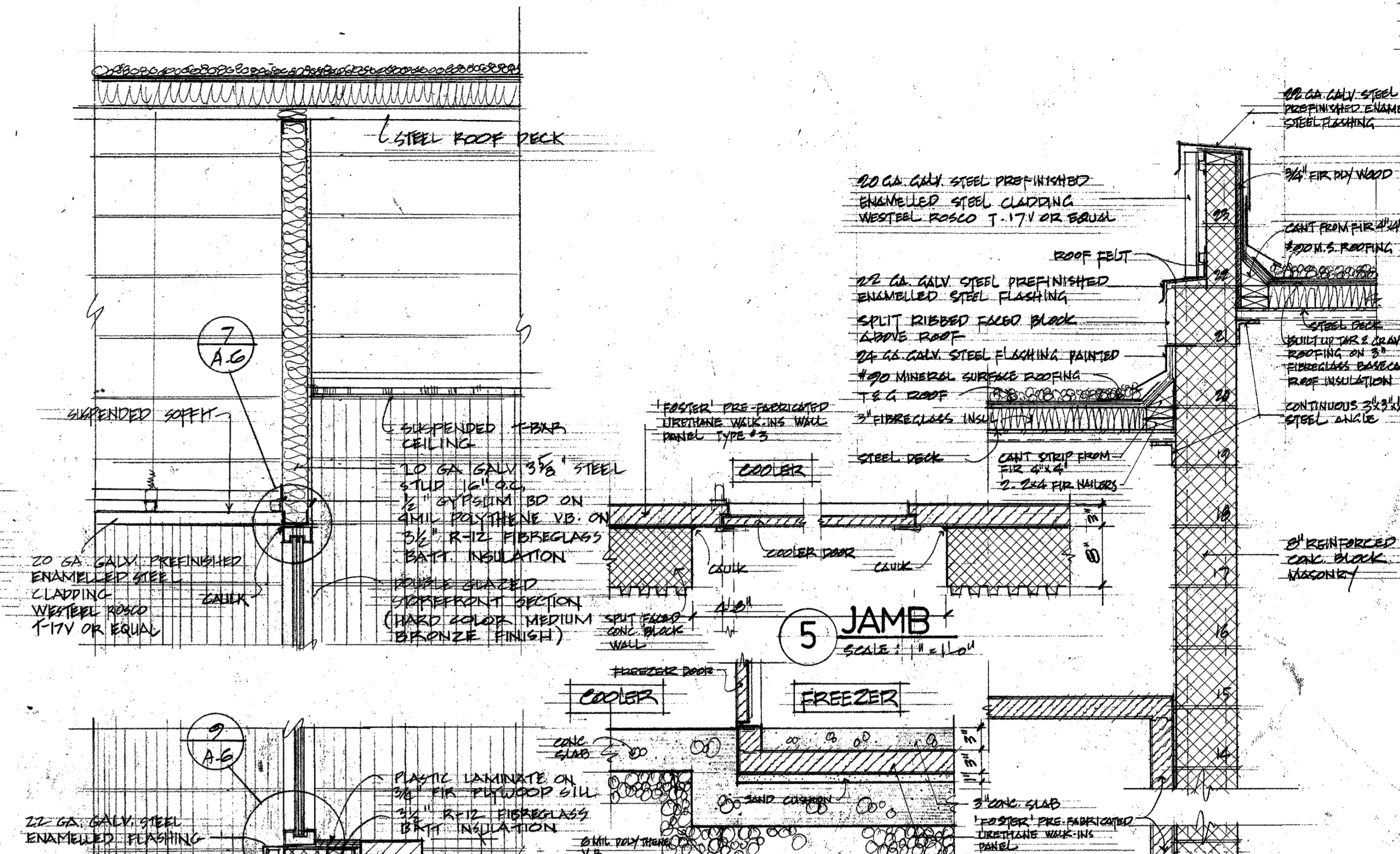
REVISIONS

NO.	DATE	DESCRIPTION



1 SECTION THRU SHOP VEHICLE DOOR
SCALE: 1/4" = 1'-0"

2 WALL SECTION
SCALE: 1/4" = 1'-0"

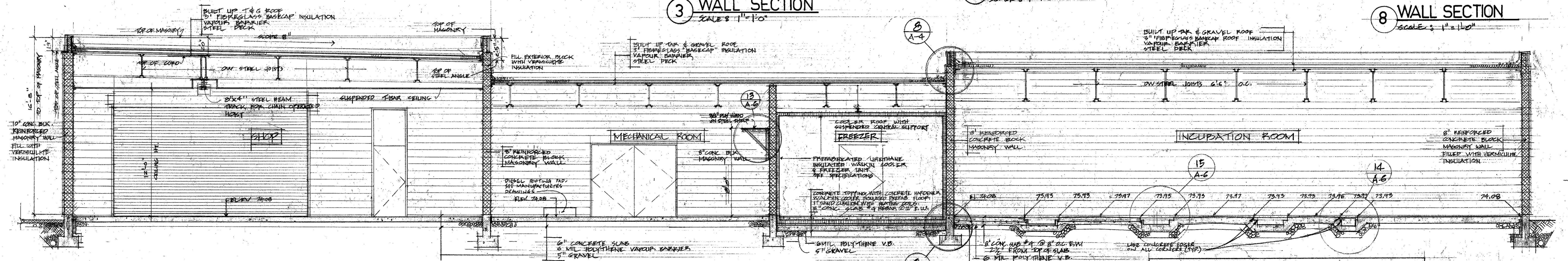


4 SECTION THRU LOBBY ENTRANCE
SCALE: 1/4" = 1'-0"

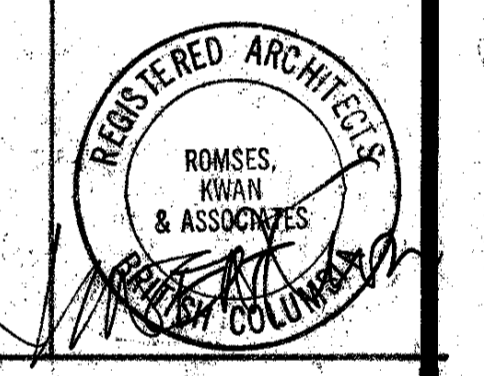
5 JAMB
SCALE: 1/4" = 1'-0"

6 FREEZER THRESHOLD
SCALE: 1/4" = 1'-0"

7 COOLER THRESHOLD
SCALE: 1/4" = 1'-0"



66 LONGITUDINAL SECTION
SCALE: 1/4" = 1'-0"



PUNTLIDGE RIVER
FISH HATCHERY
COURTENAY B.C.
FOR
THE DEPARTMENT
OF THE
ENVIRONMENT
FISHERIES

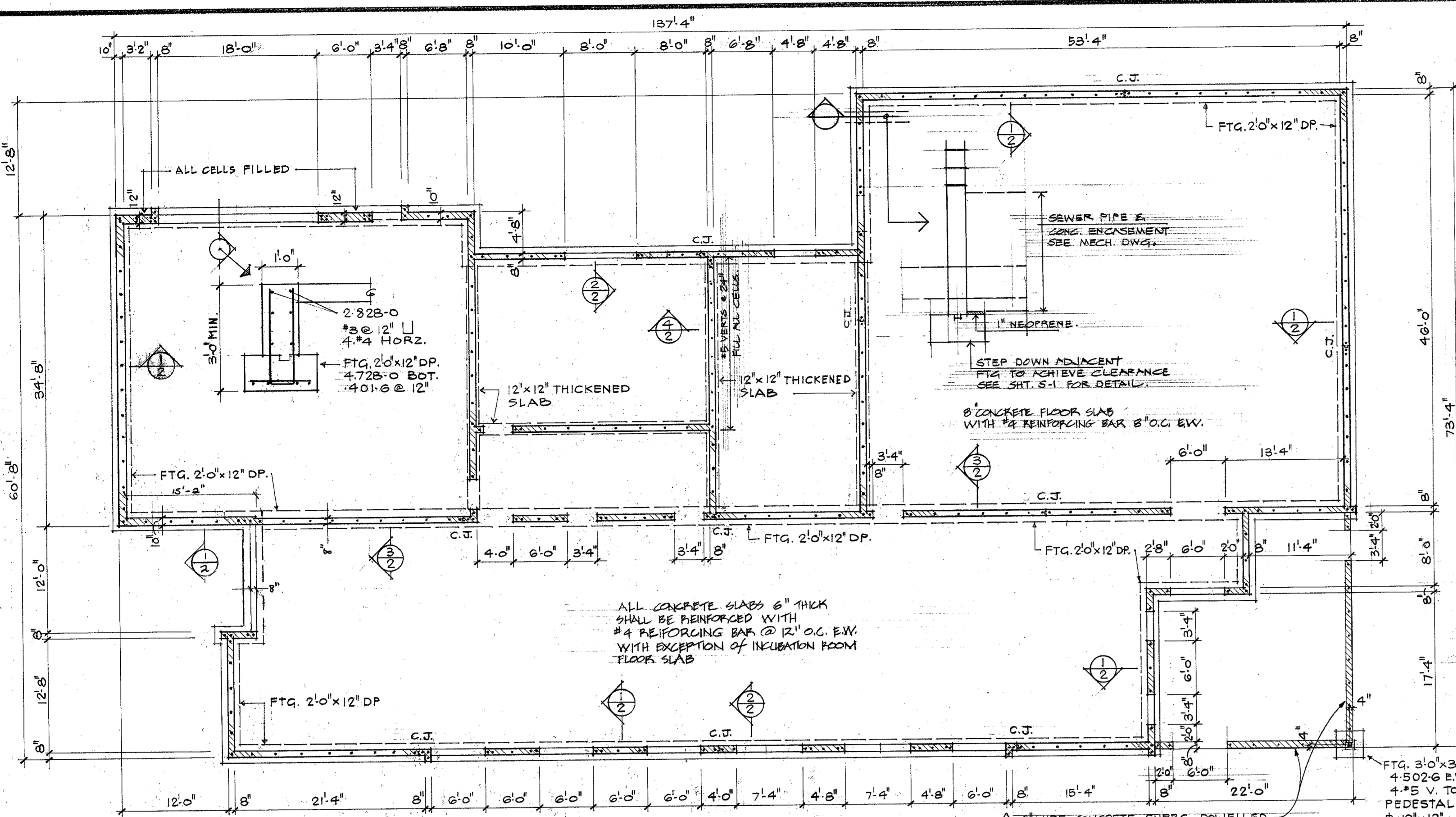
**romses
kwan
+
assoc.**
ARCHITECTS
VANCOUVER, B.C., CANADA

FISH HATCHERY
BUILDING WALL SECT
LONGITUDINAL SECT

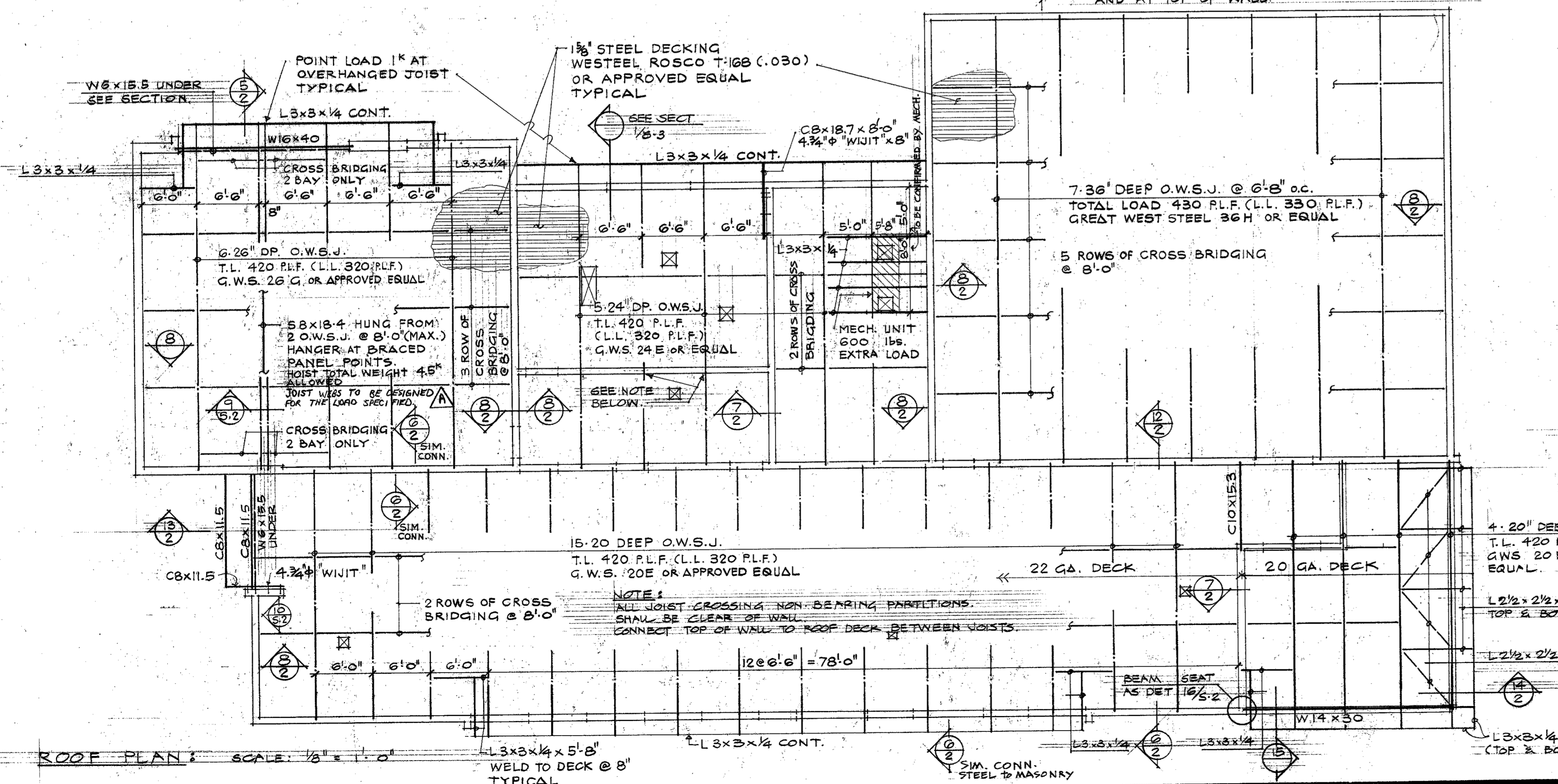
SCALE: AS SHOWN
DATE: APRIL 27 79
DRAWN: B.B.
CHECKED: [Signature]
JOB NO.: 7815

DEPARTMENT OF THE ENVIRONMENT
FISHERIES AND MARINE SERVICE
RECOMMENDED
APPROVED
APPROVED

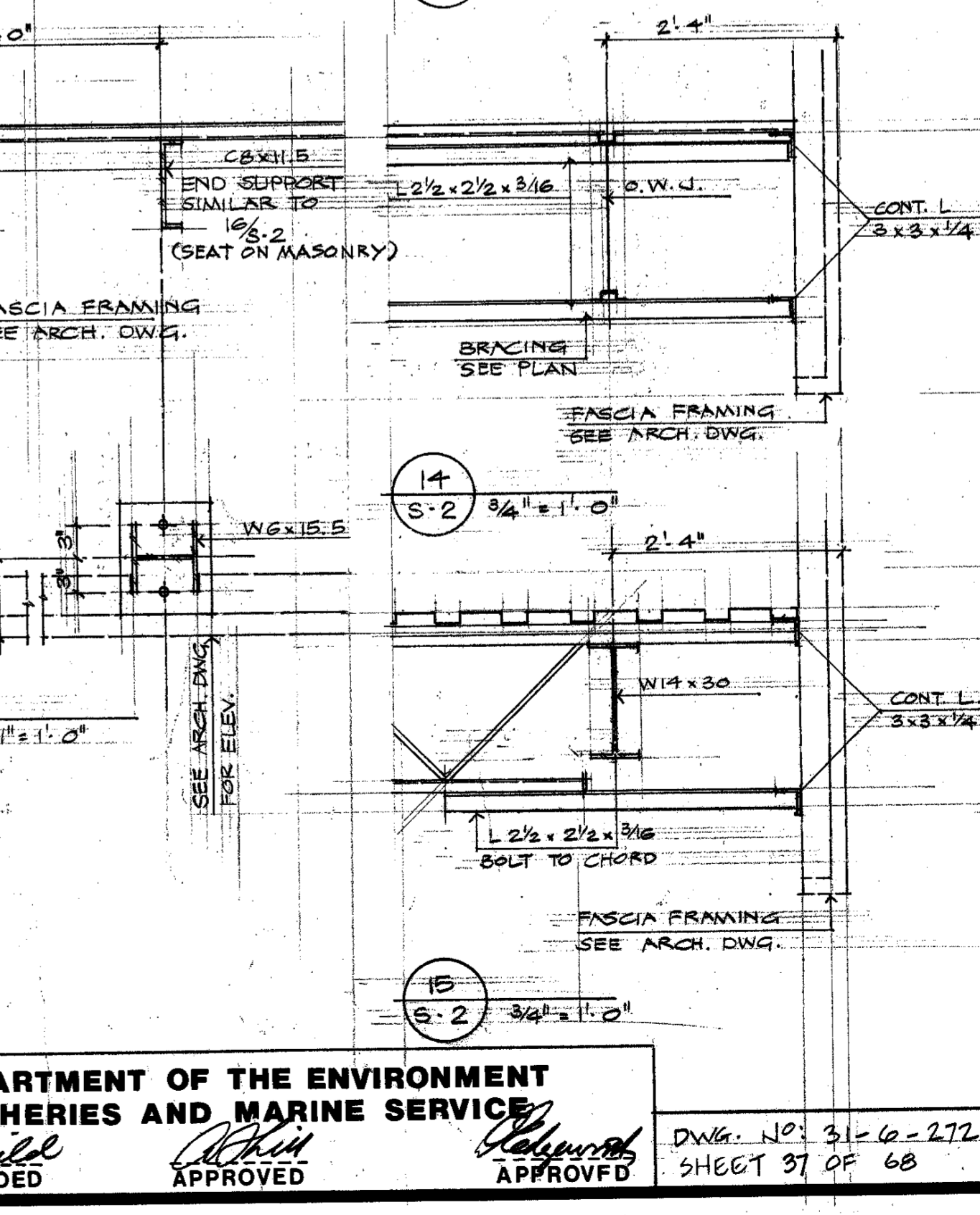
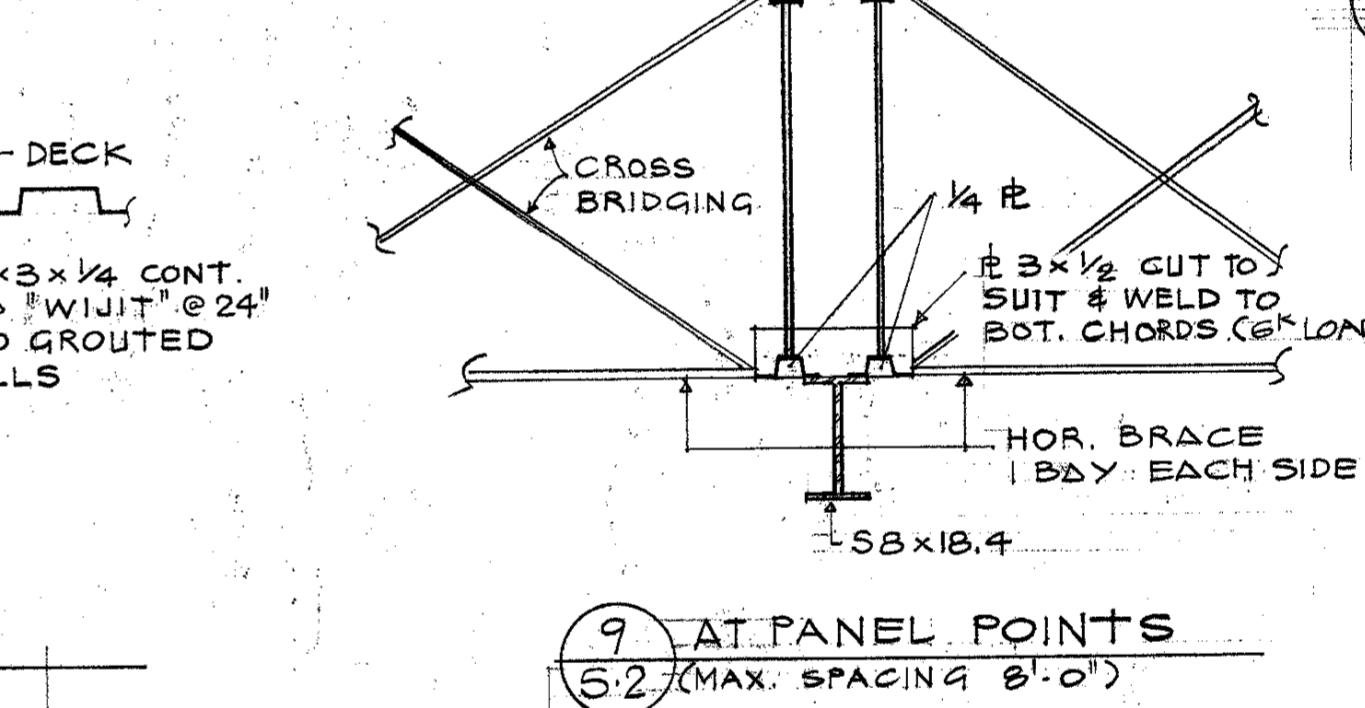
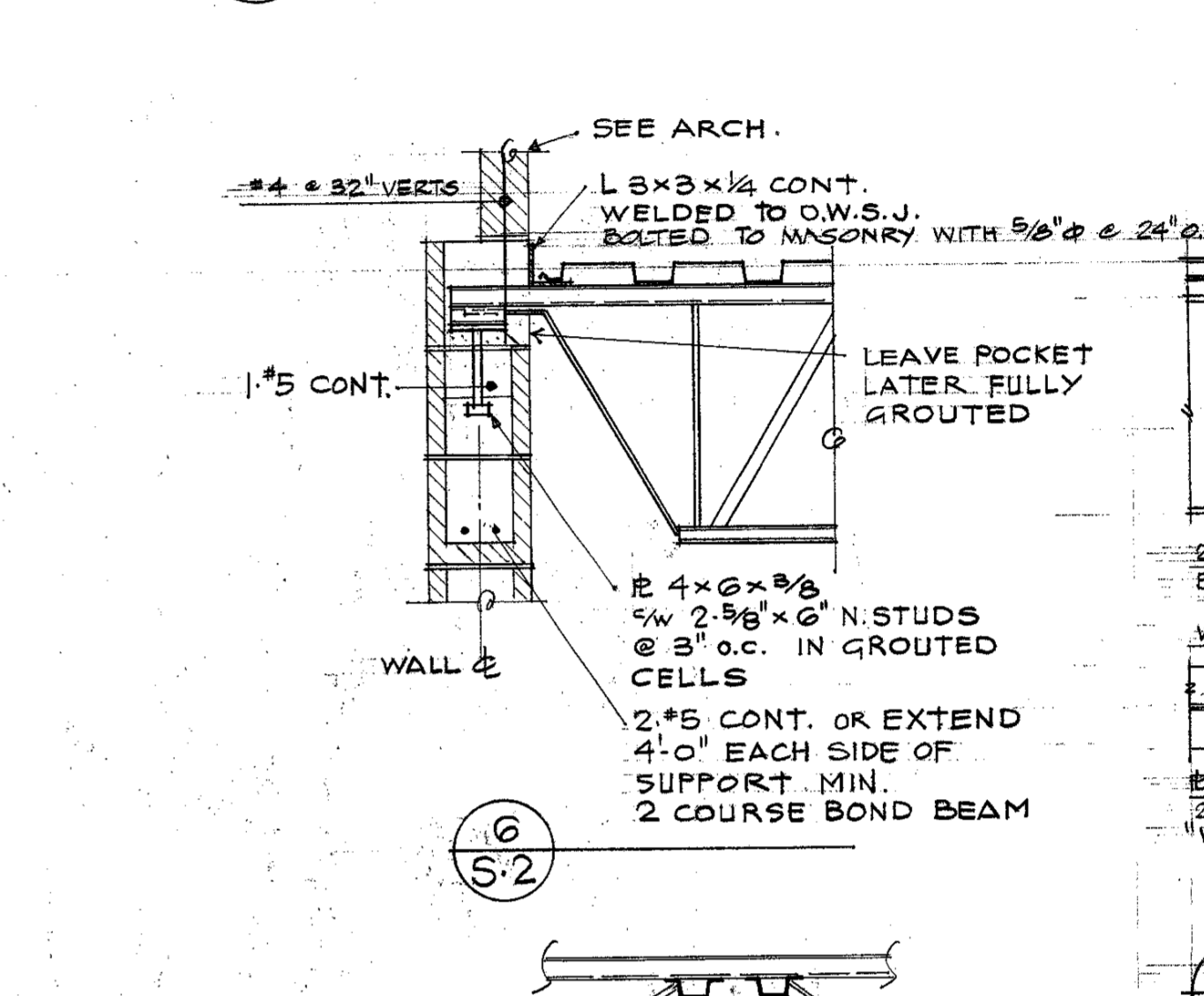
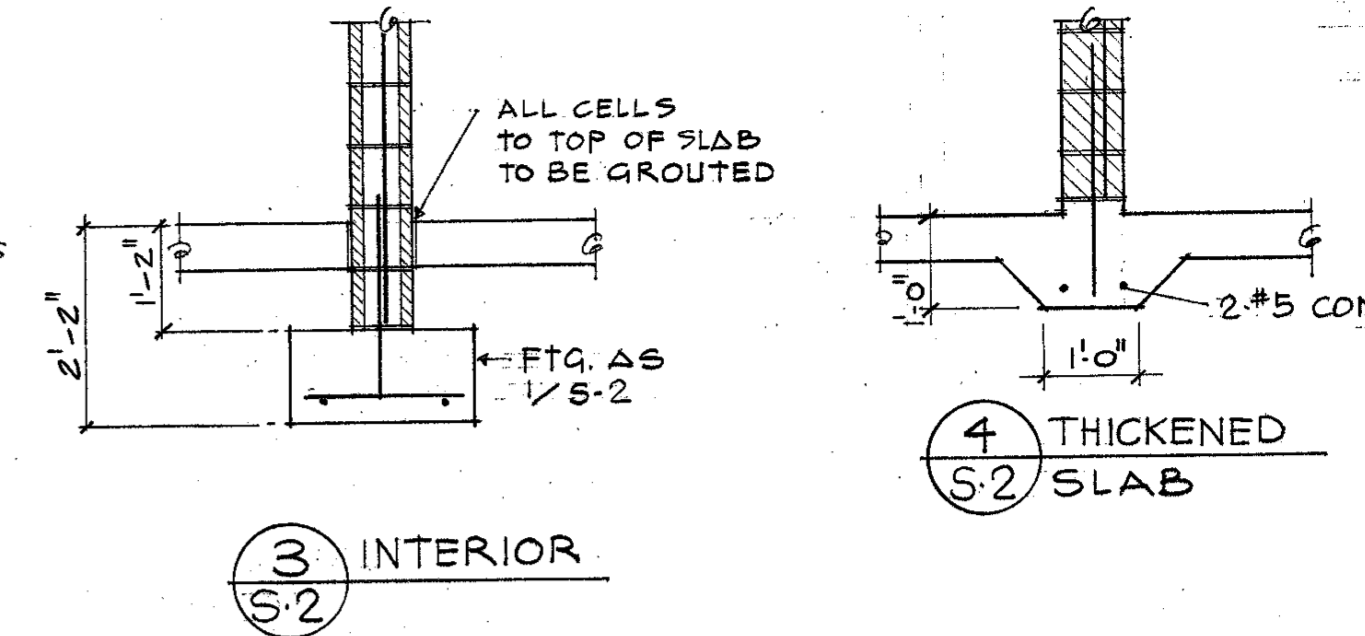
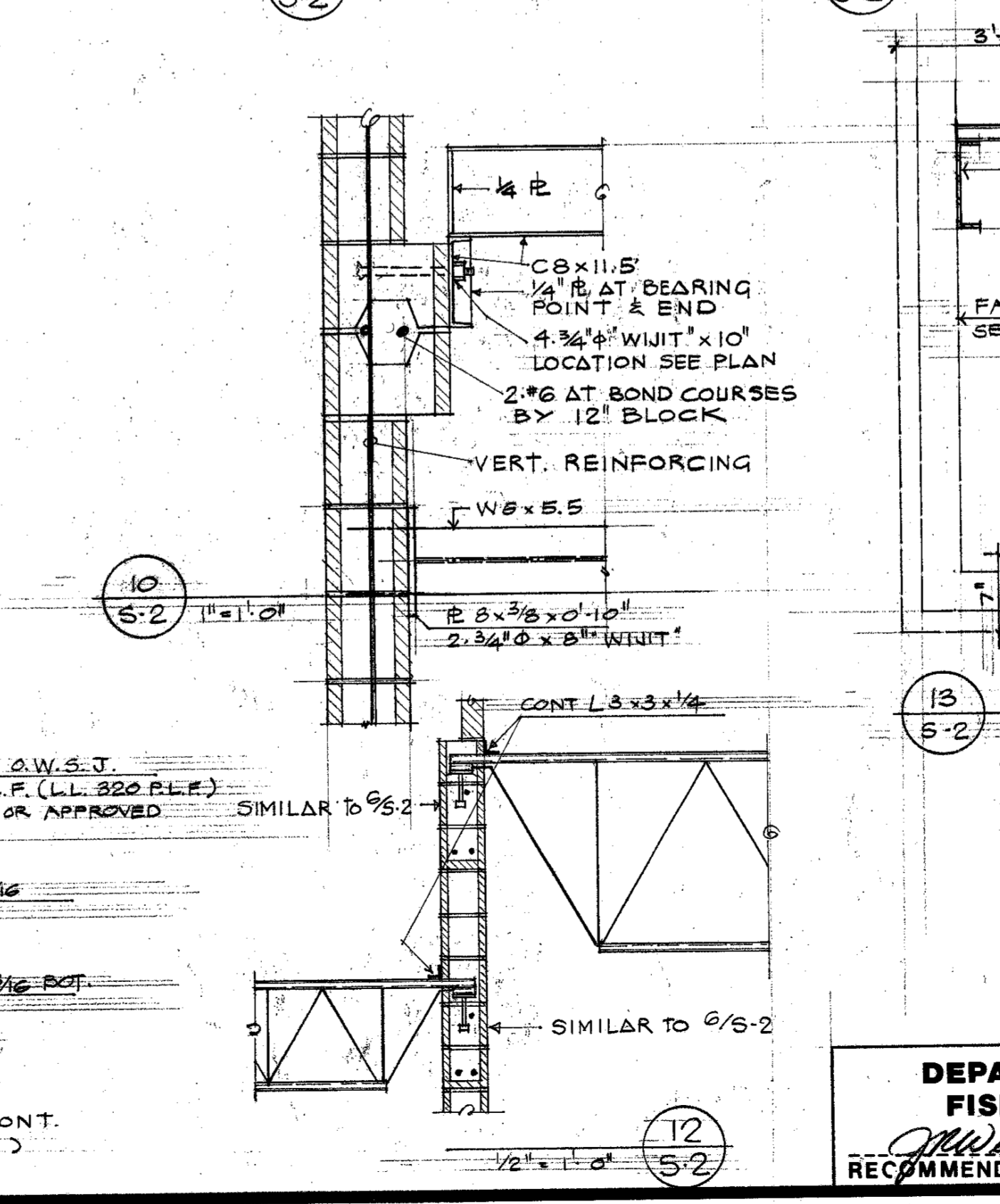
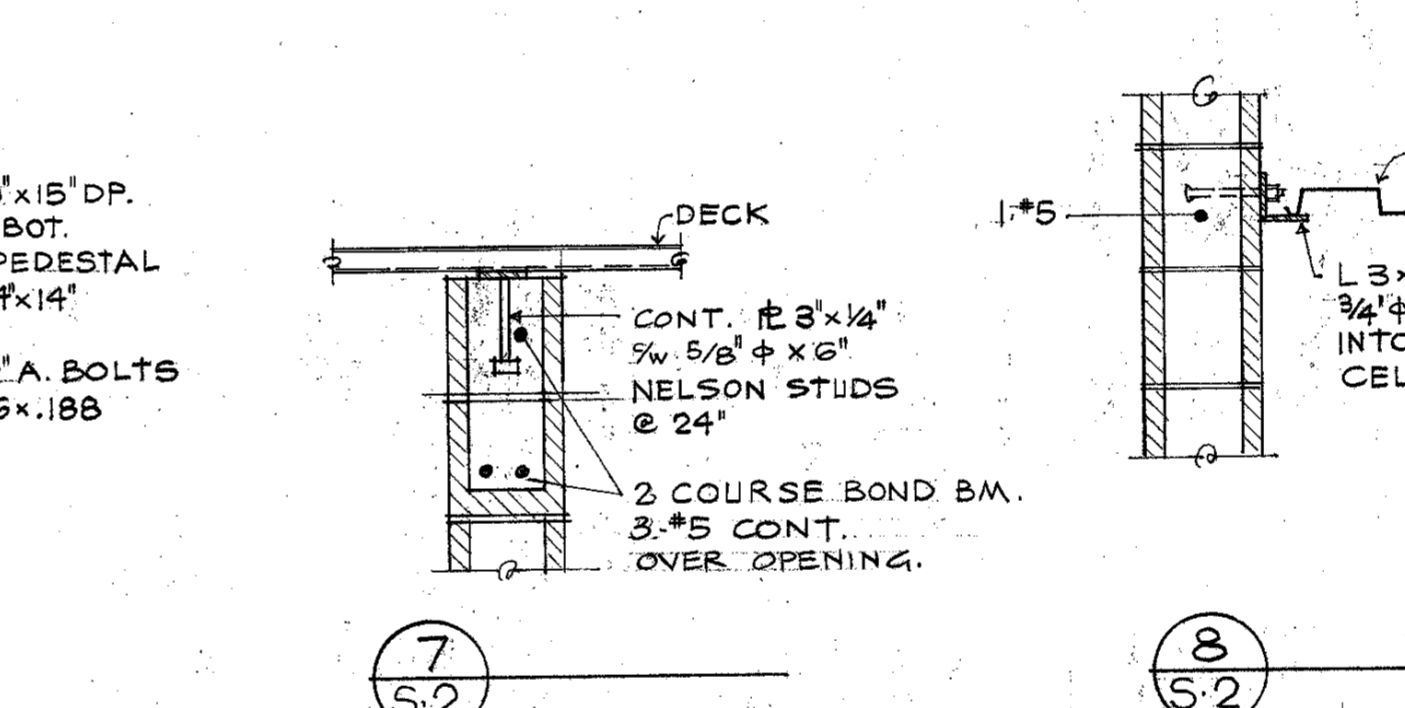
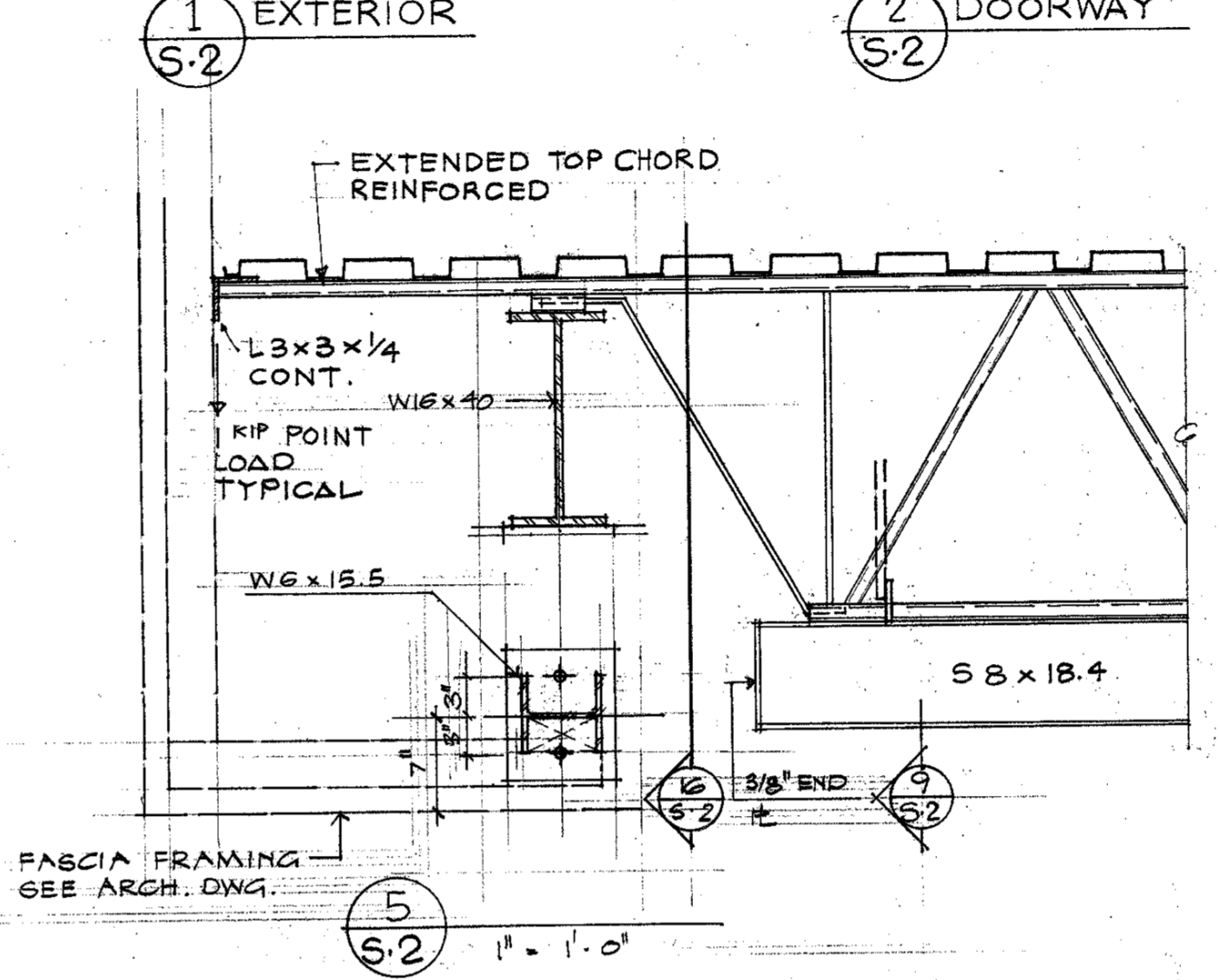
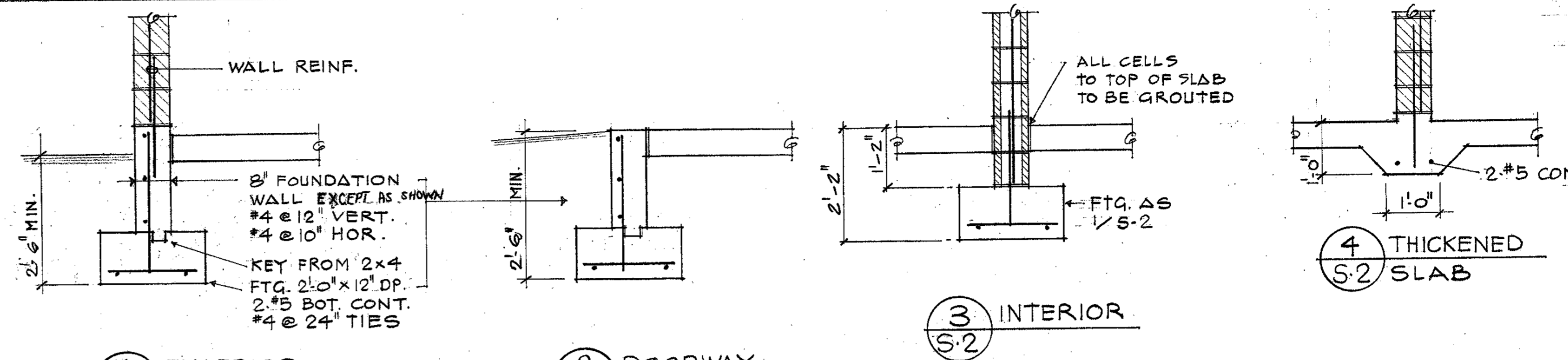
DWG. NO: 31-6-262
SHEET 27 OF 68



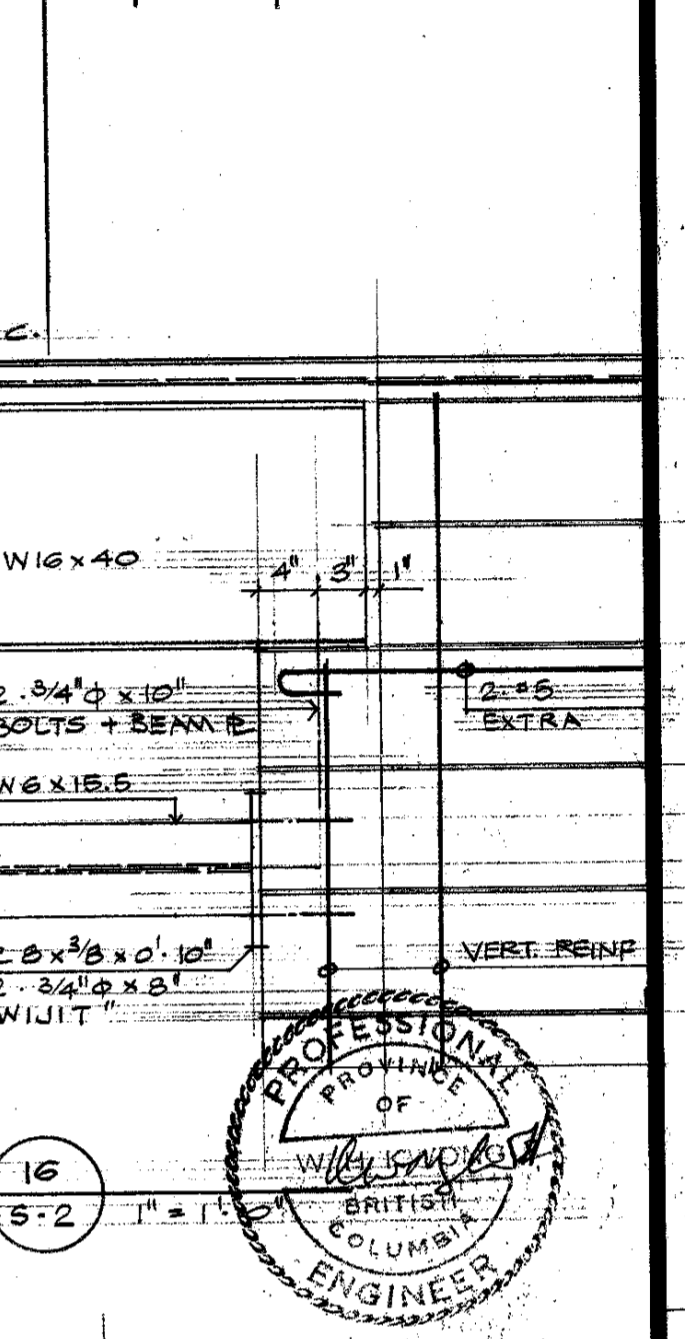
FOUNDATION PLAN: SCALE: 1/8" = 1'-0"



ROOF PLAN: SCALE: 1/8" = 1'-0"



REVISIONS		
NO.	DATE	DESCRIPTION
A	2/4/75	ISSUED FOR TENDER
B	10/4/75	NOTE RE JOIST WEBS
C	NOV 1987	REIN/MASONRY WALLS ADDED AROUND SAND FILTER ROOM



JONES, KWONG, KISHI
CONSULTING ENGINEERS
VANCOUVER, B.C.

PUNLEDGE RIVER
FISH HATCHERY
COURTENAY B.C.
FOR
THE DEPARTMENT
OF THE
ENVIRONMENT
FISHERIES

Romses kwan + assoc.
ARCHITECTS
VANCOUVER, B.C., CANADA

FISH HATCHERY BUILDING

FOUNDATION & ROOF PLANS
DETAILS

SCALE: AS NOTED
DATE: 2 APRIL 75
DRAWN: K
CHECKED: J
JOB NO.: 031

DWG. NO. 31-6-272
SHEET 37 OF 68

DEPARTMENT OF THE ENVIRONMENT
FISHERIES AND MARINE SERVICE

RECOMMENDED APPROVED APPROVED