

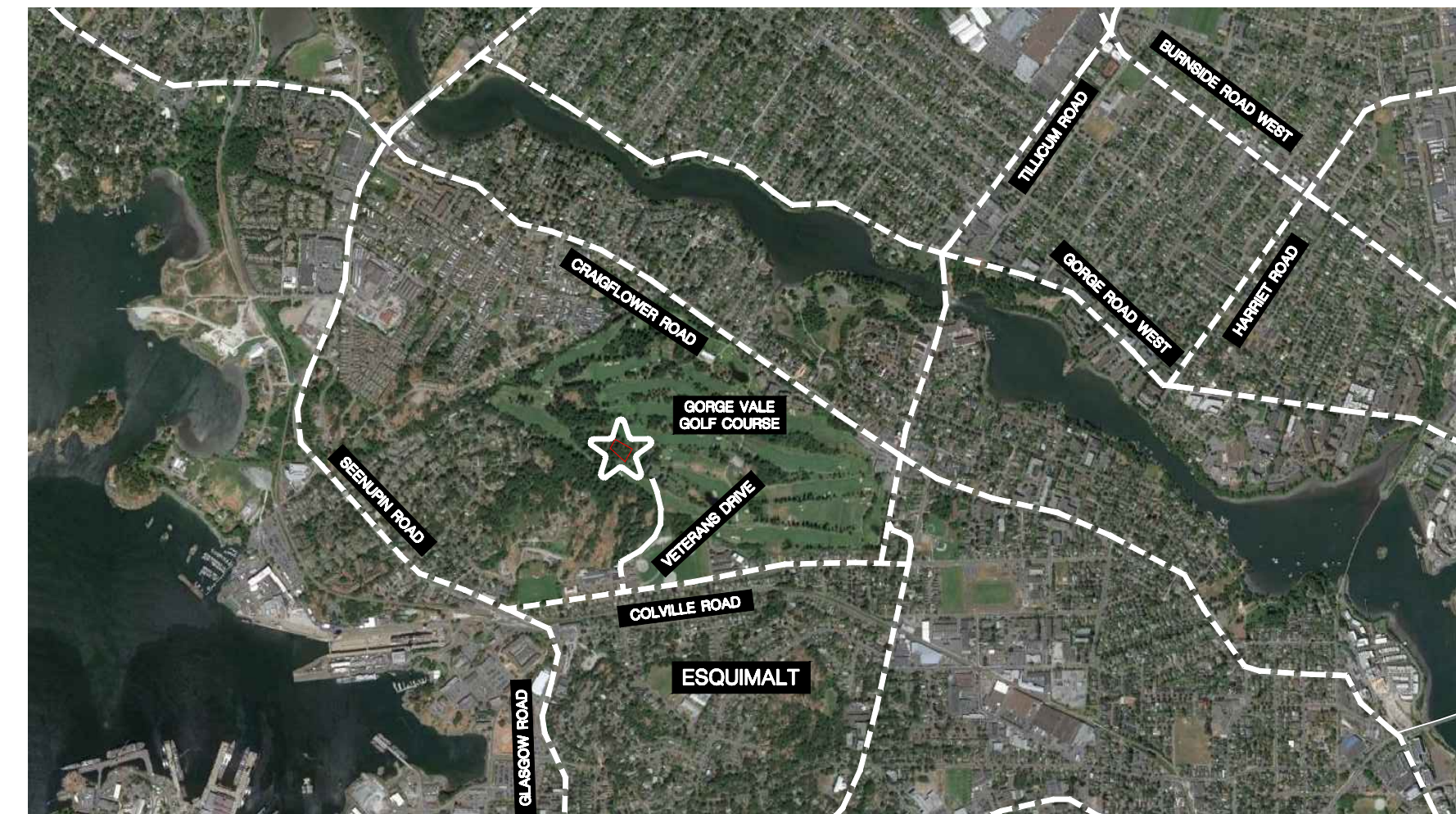
# ESQUIMALT VETERANS AFFAIRS - CEMETERY EXPANSION

## ESQUIMALT, BC

### DECEMBER 15th, 2016. 100% CONSTRUCTION DRAWINGS



**2** CONCEPTUAL GRAPHIC  
SCALE: 1:200



**1** CONTEXT PLAN  
SCALE: 1:20,000

#### DRAWING LIST

- L0.0 COVER SHEET
- L1.0 EXISTING CONDITIONS - TOPOGRAPHIC AND FENCE REMOVAL
- L2.0 EXISTING CONDITIONS - TREE PROTECTION & REMOVAL PLAN
- L2.1 EXISTING CONDITIONS - VEGETATION REMOVAL PLAN
- L3.0 -L3.1 STAGING & SITE ACCESS
- L3.2 STAGING & SITE ACCESS DETAILS
- L4.0 MATERIALS PLAN
- L5.0 - L5.1 GRADING PLAN
- L6.0 - L6.1 LAYOUT AND DRAINAGE PLAN
- L6.2 LAYOUT ENLARGED AREA
- L7.0 - L7.2 PLAZA SECTIONS
- L7.3 CONSTRUCTION DETAILS - GUARD RAIL DETAILS
- L7.4 CONSTRUCTION DETAILS - HAND RAIL FOUNDATIONS
- L7.4.1 CONSTRUCTION DETAILS - HAND RAIL FLUSH CURBS
- L7.5 CONSTRUCTION DETAILS - COATED STEEL FENCE
- L7.6 CONSTRUCTION DETAILS - RETAINING WALL AND COLUMBARIUM FOUNDATIONS
- L7.7 CONSTRUCTION DETAILS - GRANULAR PATH, BOULDER AND MULCH APPLICATION
- L7.8 CONSTRUCTION DETAILS - WOODLAND MEMORIAL WALL
- L7.9 CONSTRUCTION DETAILS - PLAZA MEMORIAL WALL & BENCHES
- L7.10 CONSTRUCTION DETAILS - DRAINAGE DETAILS
- L7.11 CONSTRUCTION DETAILS - SIGN PANEL
- L7.12 - L7.13 CONSTRUCTION DETAILS - STONE DIMENSIONS
- L8.0 - L8.1 PLANTING PLAN
- L9.0 PLANTING DETAILS - CREMATION LOTS
- L9.1 PLANTING DETAILS
- L10.0 INTERMENT PLAN

COLUMBARIA SHOWN ARE FOR  
REFERENCE ONLY, NOT INCLUDED IN  
THIS CONTRACT

Revision/Revision	Description/Description	Date/Date
12	100% CONSTRUCTION DRAWINGS	16/12/15
11	100% CONSTRUCTION DRAWINGS	16/11/28
10	100% CONSTRUCTION DRAWINGS	16/11/18
9	100% CONSTRUCTION DRAWINGS	16/11/04
8	100% CONSTRUCTION DRAWINGS	16/10/12
7	100% CONSTRUCTION DRAWINGS ISSUED FOR REVIEW	16/09/23
6	99% CONSTRUCTION DRAWINGS ISSUED FOR REVIEW	16/09/07
5	99% CONSTRUCTION DRAWINGS ISSUED FOR REVIEW	16/08/05
4	99% CONSTRUCTION DRAWINGS ISSUED FOR REVIEW	16/07/04
3	99% CONSTRUCTION DRAWINGS ISSUED FOR REVIEW	16/06/24
2	66% CONSTRUCTION DRAWINGS ISSUED FOR REVIEW	16/06/09
1	33% CONSTRUCTION DRAWINGS ISSUED FOR REVIEW	16/06/01

Client/client

Veterans Affairs Canada / Anciens Combattants Canada

Project title/Titre du projet  
**ESQUIMALT, B.C.  
VETERANS DRIVE  
ESQUIMALT VETERANS  
CEMETERY EXPANSION**

Consultant Signature Box Only

Designed by/Concept par  
**LEES + ASSOCIATES**

Drawn by/Dessiné par  
**LEES + ASSOCIATES / DATE (2016.12.15)**

PWGSC Project Manager/Administrateur de Projets TPSGC  
**REZA HAGHIGHI**

PWGSC, Regional Manager, Architectural and Engineering Services/  
Gestionnaire régionale, Services d'architecture et de génie, TPSGC

Drawing title/Titre du dessin  
**COVER SHEET**

Project No./No. du projet  
**R.080256.003.**

Sheet/Feuille  
**L0.0**  
1 OF 33

Revision no./  
La Révision  
no.  
**12**

Z:\Active Clients\Public Works and Government Services Canada\16-854 God's Acre Veterans Cemetery Esquimalt\6\_CAD\Working Drawings\CD Set\16-854\_EVC Exp\_L0.0\_Cover.dwg



Z:\Active Clients\Public Works and Government Services Canada\16-854 God's Acre Veterans Cemetery Esquimalt\CAD\Working Drawings\CD Set\16-854\_EVC\_Exp\_L10\_Existing Topographic & Fence Removal.dwg

LEGEND

- PROPERTY BOUNDARY
- TREE ID NUMBER -REFER TO ARBORIST'S REPORT
- APPROXIMATE EXTENTS OF BEDROCK OUTCROPS
- EASEMENT
- CONTOUR AT 1M INTERVALS
- CONTOUR AT 0.2M INTERVALS
- REMOVE EXISTING FENCE
- NEW FENCE



12	100% CONSTRUCTION DRAWINGS	16/12/15
11	100% CONSTRUCTION DRAWINGS	16/11/28
10	100% CONSTRUCTION DRAWINGS	16/11/18
9	100% CONSTRUCTION DRAWINGS	16/11/04
8	100% CONSTRUCTION DRAWINGS	16/10/12
7	100% CONSTRUCTION DRAWINGS ISSUED FOR REVIEW	16/09/23
6	99% CONSTRUCTION DRAWINGS ISSUED FOR REVIEW	16/09/07
5	99% CONSTRUCTION DRAWINGS ISSUED FOR REVIEW	16/08/05
4	99% CONSTRUCTION DRAWINGS ISSUED FOR REVIEW	16/07/04
3	99% CONSTRUCTION DRAWINGS ISSUED FOR REVIEW	16/06/24
2	66% CONSTRUCTION DRAWINGS ISSUED FOR REVIEW	16/06/09
1	33% CONSTRUCTION DRAWINGS ISSUED FOR REVIEW	16/06/01

Revision/	Description/Description	Date/Date

Client/client  
 Veterans Affairs Canada / Anciens Combattants Canada

Project title/Titre du projet  
**ESQUIMALT, B.C. VETERANS DRIVE**  
**ESQUIMALT VETERANS CEMETERY EXPANSION**

Consultant Signature Box Only

Designed by/Concept par  
**LEES + ASSOCIATES**

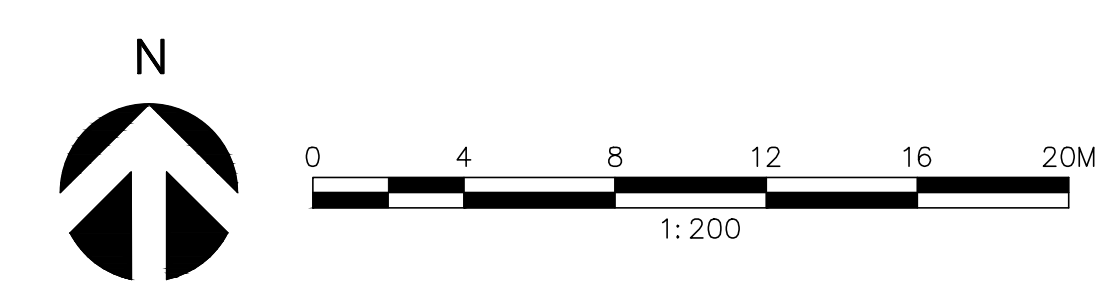
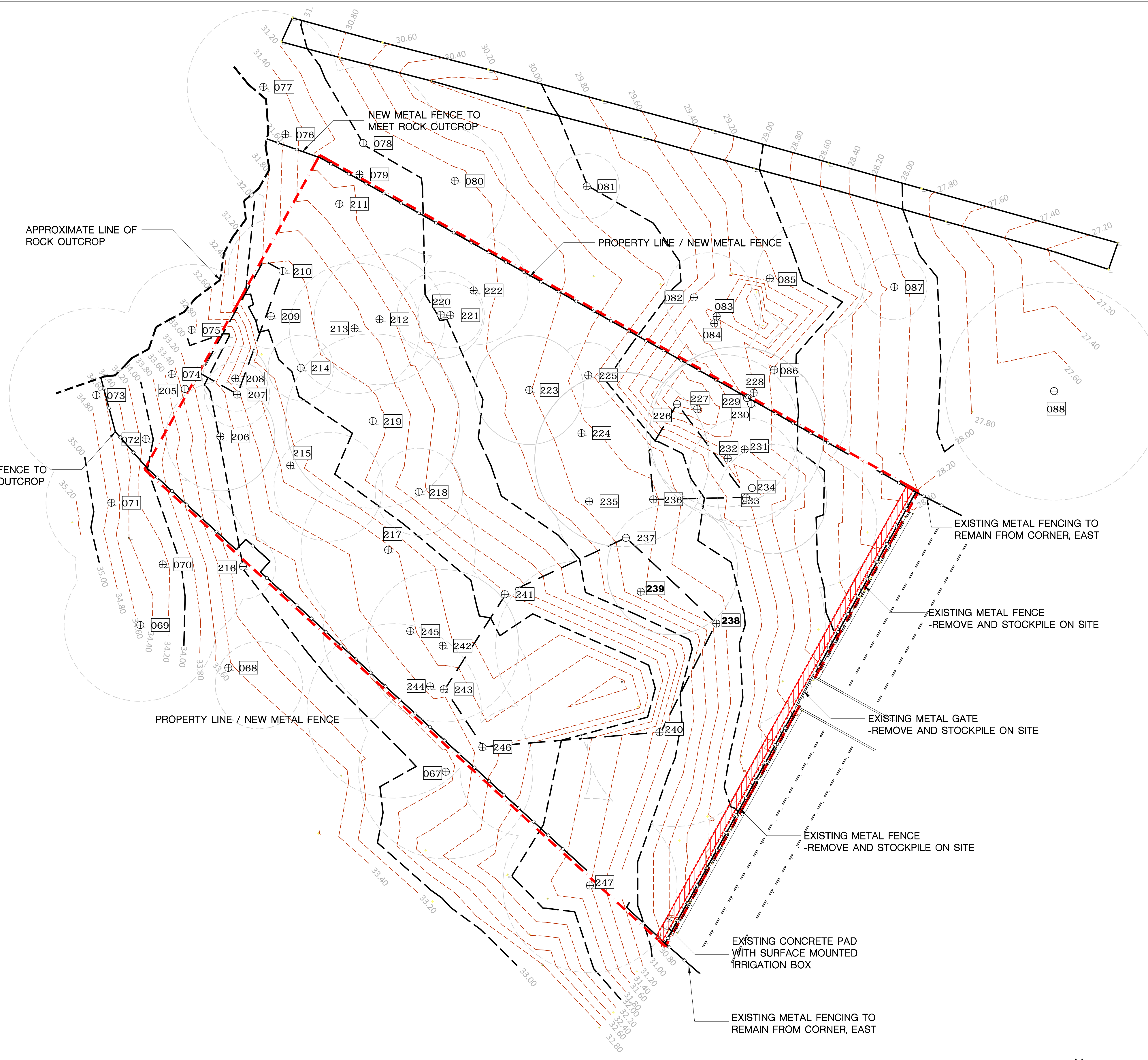
Drawn by/Dessiné par  
**LEES + ASSOCIATES / DATE (2016.12.15)**

PWGSC Project Manager/Administrateur de Projets TPSGC  
**REZA HAGHIGHI**

PWGSC, Regional Manager, Architectural and Engineering Services/  
 Gestionnaire régionale, Services d'architecture et de génie, TPSGC

Drawing title/Titre du dessin  
**EXISTING CONDITIONS TOPOGRAPHIC AND FENCE REMOVAL**

Project No./No. du projet <b>R.080256.003.</b>	Sheet/Feuille <b>L1.0</b> 2 OF 33	Revision no./ La Révision no. <b>12</b>
---	---	---

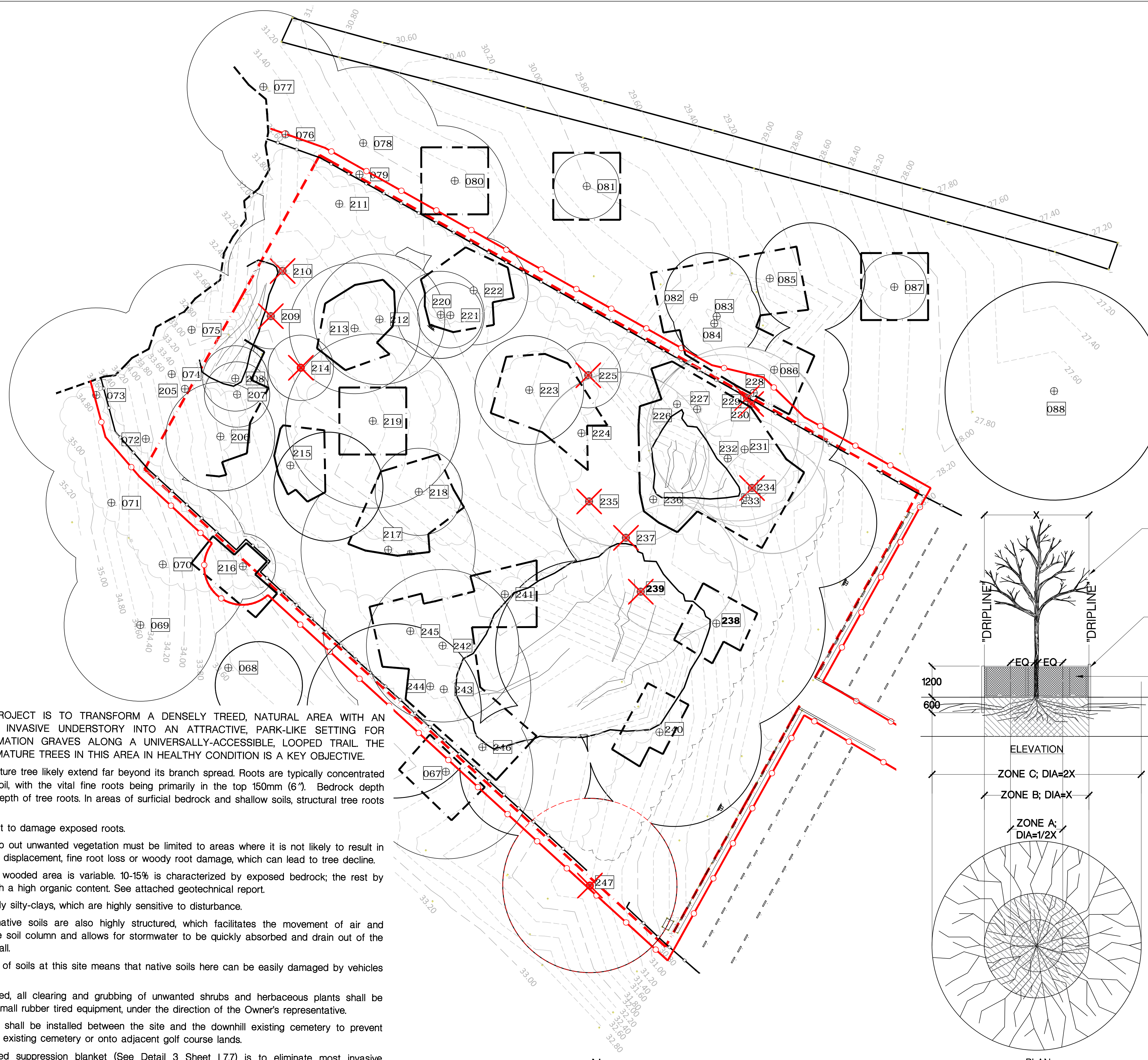


Z:\Active Clients\Public Works and Government Services Canada\16-854 God's Acre Veterans Cemetery Esquimalt\6\_CAD\Working Drawings\CD Set\16-854\_EVC Exp\_L20\_Existing\_Conditions\_Tree&Strub\_Plan.dwg

THE INTENT OF THE PROJECT IS TO TRANSFORM A DENSELY TREED, NATURAL AREA WITH AN EXTENSIVE NON-NATIVE INVASIVE UNDERSTORY INTO AN ATTRACTIVE, PARK-LIKE SETTING FOR COLUMBARIA AND CREMATION GRAVES ALONG A UNIVERSALLY-ACCESSIBLE, LOOPED TRAIL. THE PRESERVATION OF THE MATURE TREES IN THIS AREA IN HEALTHY CONDITION IS A KEY OBJECTIVE.

- Tree roots of each mature tree likely extend far beyond its branch spread. Roots are typically concentrated in the top meter of soil, with the vital fine roots being primarily in the top 150mm (6"). Bedrock depth generally defines the depth of tree roots. In areas of surficial bedrock and shallow soils, structural tree roots are exposed.
- Care shall be taken not to damage exposed roots.
- Machinery used to grub out unwanted vegetation must be limited to areas where it is not likely to result in soil compaction, rutting, displacement, fine root loss or woody root damage, which can lead to tree decline.
- Topography within the wooded area is variable. 10-15% is characterized by exposed bedrock; the rest by finely textured soils with a high organic content. See attached geotechnical report.
- Native soils are primarily silty-clays, which are highly sensitive to disturbance.
- Due to soil biology, native soils are also highly structured, which facilitates the movement of air and moisture throughout the soil column and allows for stormwater to be quickly absorbed and drain out of the soils during heavy rainfall.
- The type and structure of soils at this site means that native soils here can be easily damaged by vehicles when wet.
- Except where authorized, all clearing and grubbing of unwanted shrubs and herbaceous plants shall be done by hand and/or small rubber tired equipment, under the direction of the Owner's representative.
- An anti-siltation barrier shall be installed between the site and the downhill existing cemetery to prevent sediment flows into the existing cemetery or onto adjacent golf course lands.
- The intent of the weed suppression blanket (See Detail 3 Sheet L7.7) is to eliminate most invasive understory plants and to significantly slow, if not prevent, the return of English Ivy to this area.
- Site clearing and grubbing shall strive to achieve this objective.

THE CONTINUED HEALTH OF THE TREES AND VEGETATION TO BE RETAINED DEPENDS ON MAINTAINING TO THE STRUCTURAL AND BIOLOGICAL INTEGRITY OF THE EXISTING SOIL THROUGH ALL PHASES OF THE PROJECT

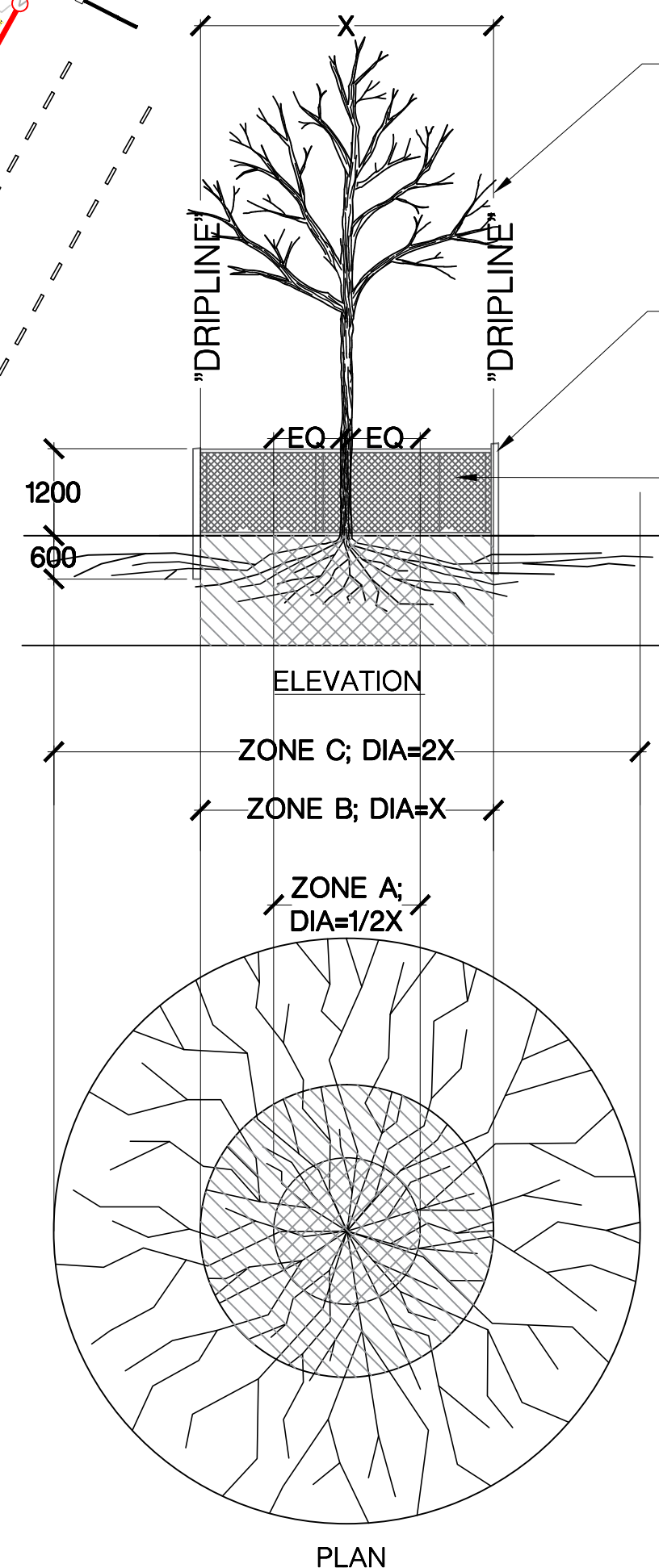


**TREE REMOVAL SCHEDULE**

TREE ID #	TYPE
209	DOUGLAS FIR
210	DOUGLAS FIR
214	GRAND FIR
225	DOUGLAS FIR
229	GARRY OAK
230	GARRY OAK
234	GARRY OAK (x3)
235	GARRY OAK
237	GARRY OAK
239	GARRY OAK
247	GARRY OAK

- LEGEND**
- PROPERTY BOUNDARY
  - ⊕070 TREE ID NUMBER -REFER TO ARBORIST'S REPORT
  - ✗ TREE TO BE REMOVED -REFER TO ARBORIST'S REPORT
  - CONTOUR AT 1M INTERVALS
  - CONTOUR AT 0.2M INTERVALS
  - NEW FENCE
  - TREE PROTECTION FENCING
  - TEMPORARY SITE PROTECTION FENCING

NOTE: UNLESS INDICATED ALL EXISTING TREES ARE TO REMAIN



PROVIDE & MAINTAIN PROTECTIVE FENCING AT DRIPLINE OF TREE FENCE WHERE POSSIBLE FOR FULL DURATION OF CONTRACT

WOOD FENCE POSTS (1800 X 76mm) NO LESS THAN EVERY 1500mm APART

SNOW FENCE (ORANGE POLY LAMINAR SAFETY NETTING OR APPROVED EQUIVALENT) SECURED BY WOOD POSTS

- NOTES:**
- NO MATERIALS STOCKPILING PERMITTED W/ IN ZONE A/B/C.
  - OPERATION OF HEAVY EQUIPMENT TO BE KEPT TO STRICT MINIMUM W/ IN ZONE A/B/C. ACCESS SUBJECT TO APPROVAL BY PROJECT REPRESENTATIVE.
  - PROTECTIVE FENCING AS SHOWN IS INTENDED TO ACCOMMODATE NEW CONSTRUCTION AND MAY BE TEMPORARILY ADJUSTED TO ACCOMMODATE NEW CONSTRUCTION - SUBJECT TO APPROVAL BY PROJECT REPRESENTATIVE.
  - UTILIZE HAND METHODS TO MINIMIZE ROOT DAMAGE. CLEANLY SEVER EXPOSED ROOTS PER ACCEPTED INDUSTRIAL STANDARDS TO BEST HORTICULTURAL PRACTICE.

Public Works and Government Services Canada / Travaux publics et Services gouvernementaux Canada

**REAL PROPERTY SERVICES**  
Pacific Region  
**SERVICES IMMOBILIERS**  
Région de Pacifique

Revision/	Description/Description	Date/Date
12	100% CONSTRUCTION DRAWINGS	16/12/15
11	100% CONSTRUCTION DRAWINGS	16/11/28
10	100% CONSTRUCTION DRAWINGS	16/11/18
9	100% CONSTRUCTION DRAWINGS	16/11/04
8	100% CONSTRUCTION DRAWINGS	16/10/12
7	100% CONSTRUCTION DRAWINGS ISSUED FOR REVIEW	16/09/23
6	99% CONSTRUCTION DRAWINGS ISSUED FOR REVIEW	16/09/07
5	99% CONSTRUCTION DRAWINGS ISSUED FOR REVIEW	16/08/05
4	99% CONSTRUCTION DRAWINGS ISSUED FOR REVIEW	16/07/04
3	99% CONSTRUCTION DRAWINGS ISSUED FOR REVIEW	16/06/24
2	66% CONSTRUCTION DRAWINGS ISSUED FOR REVIEW	16/06/09
1	33% CONSTRUCTION DRAWINGS ISSUED FOR REVIEW	16/06/01

Client/client: **Veterans Affairs Canada / Anciens Combattants Canada**

Project title/Titre du projet: **ESQUIMALT, B.C. VETERANS DRIVE ESQUIMALT VETERANS CEMETERY EXPANSION**

Consultant Signature Box Only

Designed by/Concept par: **LEES + ASSOCIATES**

Drawn by/Dessiné par: **LEES + ASSOCIATES / DATE (2016.12.15)**

PWGSC Project Manager/Administrateur de Projets TPSGC: **REZA HAGHGI**

PWGSC, Regional Manager, Architectural and Engineering Services/ Gestionnaire régionale, Services d'architecture et de génie, TPSGC

Drawing title/Titre du dessin: **EXISTING CONDITIONS TREE PROTECTION & REMOVAL PLAN**

Project No./No. du projet: <b>R.080256.003.</b>	Sheet/Feuille: <b>L2.0</b>	Revision no./Loi Révision no.: <b>12</b>
	<b>3 OF 33</b>	



SELECTIVE CLEARING OF UNDERSTOREY (SHRUB LAYER)  
 -REMOVE ALL INVASIVE SPECIES  
 -GRUB OUT ROOTS  
 -INSTALL MULCH (WEED SUPPRESSION) LAYER PER. DETAIL 1/L21  
 -MULCH MATERIAL TO BE WOOD CHIPS FROM TREE REMOVALS  
 -NUMBER AND LOCATION OF PROPOSED HABITAT LOGS T.B.D.  
 -RETAIN SHRUBS AND SMALL TREES AS DIRECTED BY DEPARTMENTAL REPRESENTATIVE/CONSULTANT

UNDERSTOREY TO BE REMOVED

GRASS TO BE REMOVED

- LEGEND**
- PROPERTY BOUNDARY
  - SELECTIVE CLEARING OF UNDERSTOREY
  - UNDERSTOREY TO BE REMOVED
  - GRASS TO BE REMOVED
  - CONTOUR AT 1M INTERVALS
  - CONTOUR AT 0.2M INTERVALS
  - NEW FENCE



12	100% CONSTRUCTION DRAWINGS	16/12/15
11	100% CONSTRUCTION DRAWINGS	16/11/28
10	100% CONSTRUCTION DRAWINGS	16/11/18
9	100% CONSTRUCTION DRAWINGS	16/11/04
8	100% CONSTRUCTION DRAWINGS	16/10/12
7	100% CONSTRUCTION DRAWINGS ISSUED FOR REVIEW	16/09/23
6	99% CONSTRUCTION DRAWINGS ISSUED FOR REVIEW	16/09/07
5	99% CONSTRUCTION DRAWINGS ISSUED FOR REVIEW	16/08/05
4	99% CONSTRUCTION DRAWINGS ISSUED FOR REVIEW	16/07/04
3	99% CONSTRUCTION DRAWINGS ISSUED FOR REVIEW	16/06/24
2	66% CONSTRUCTION DRAWINGS ISSUED FOR REVIEW	16/06/09
1	33% CONSTRUCTION DRAWINGS ISSUED FOR REVIEW	16/06/01

Revision/Revision	Description/Description	Date/Date
-------------------	-------------------------	-----------

Client/client  
 Veterans Affairs Canada / Anciens Combattants Canada

Project title/Titre du projet  
**ESQUIMALT, B.C. VETERANS DRIVE**  
**ESQUIMALT VETERANS CEMETERY EXPANSION**

Consultant Signature Box Only

Designed by/Concept par  
**LEES + ASSOCIATES**

Drawn by/Dessiné par  
**LEES + ASSOCIATES / DATE (2016.12.15)**

PWGSC Project Manager/Administrateur de Projets TPSGC  
**REZA HAGHIGHI**

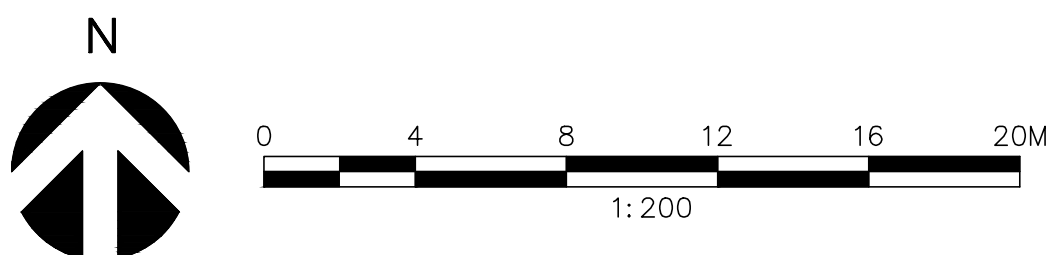
PWGSC, Regional Manager, Architectural and Engineering Services/  
 Gestionnaire régionale, Services d'architectural et de génie, TPSGC

Drawing title/Titre du dessin  
**EXISTING CONDITIONS VEGETATION REMOVAL PLAN**

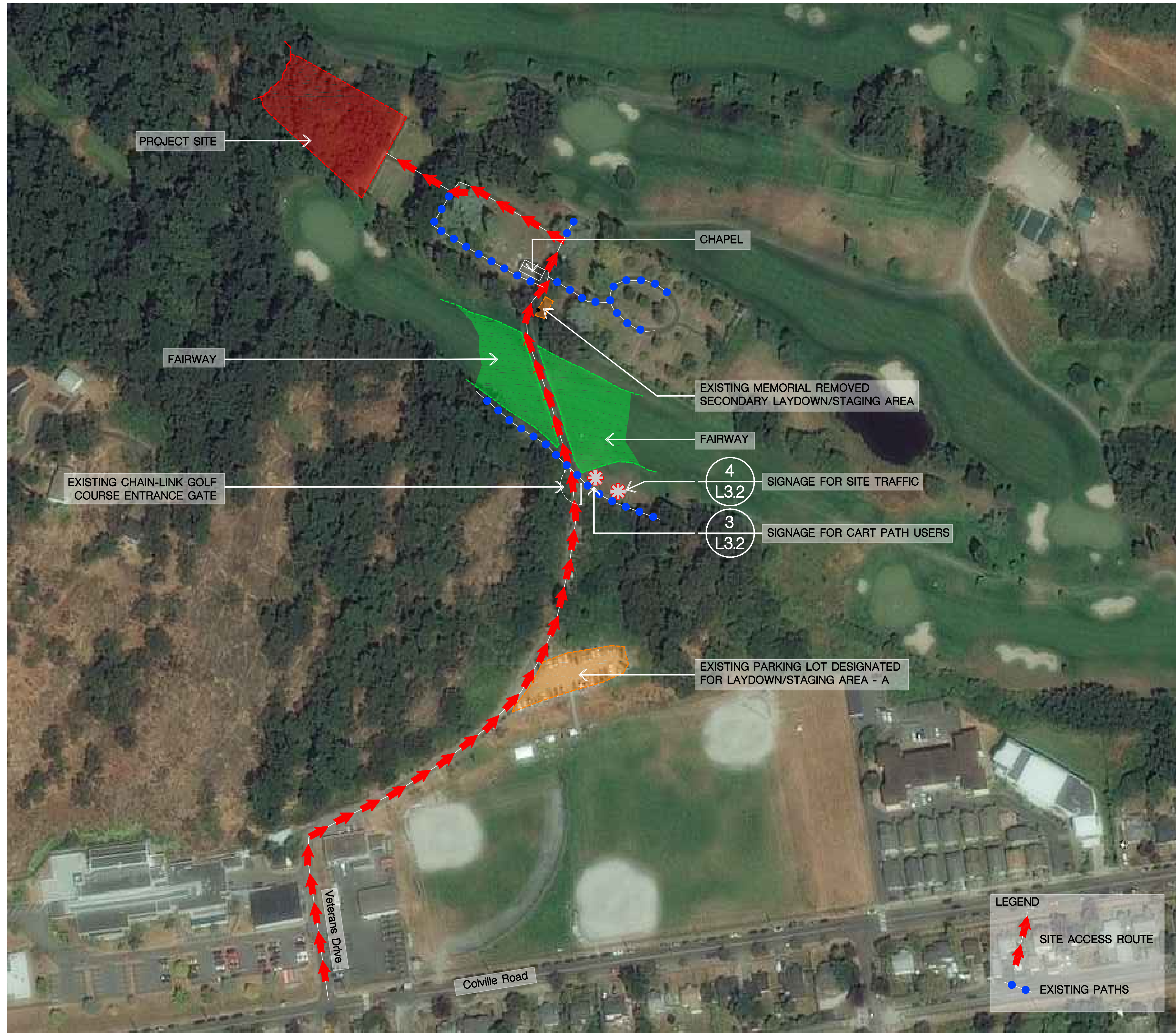
Project No./No. du projet  
**R.080256.003.**

Sheet/Feuille  
**L2.1**  
**4 OF 33**

Revision no./La Révision no.  
**12**



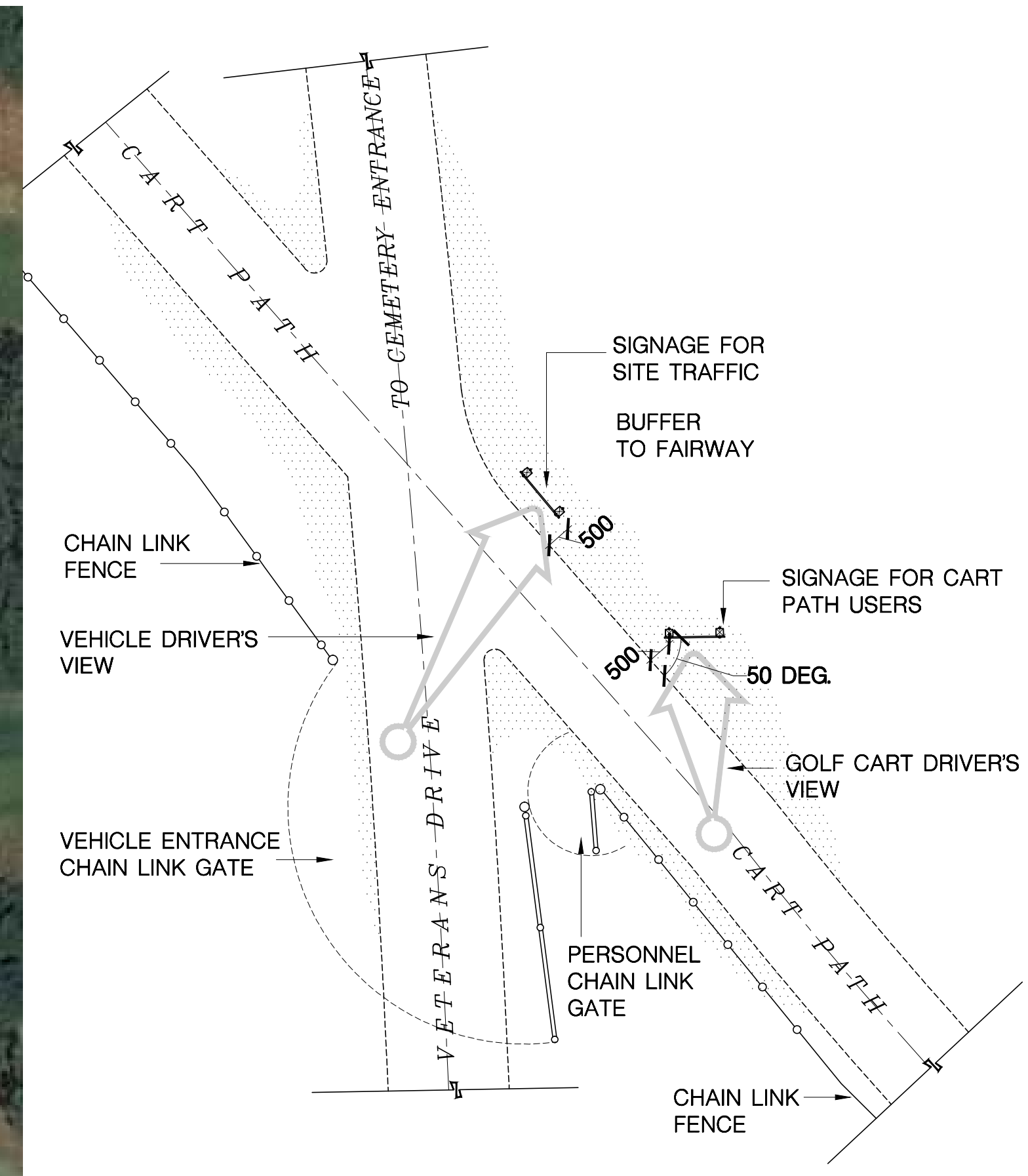
Z:\Active Clients\Public Works and Government Services Canada\16-854 God's Acre Veterans Cemetery Esquimalt\6\_CAD\Working Drawings\CD Set\16-854\_EVC Exp\_L3.0-L3.1-L3.2\_Staging\_Laydown & Access.dwg



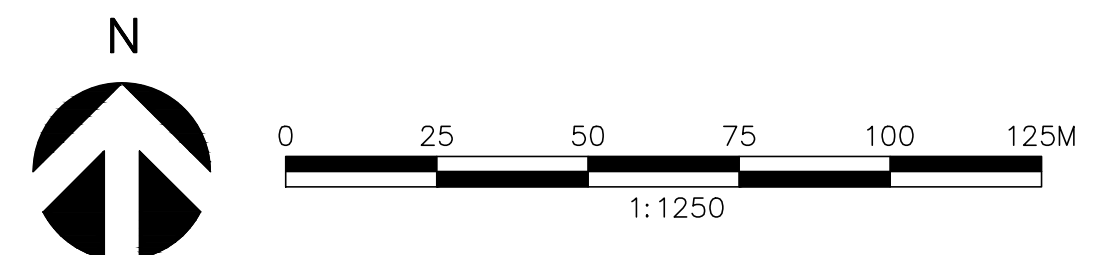
**LEGEND**

→ SITE ACCESS ROUTE

● EXISTING PATHS



**1 SIGNAGE LOCATION PLAN**  
**L3.0** SCALE: 1100



COLUMBARIA SHOWN ARE FOR REFERENCE ONLY, NOT INCLUDED IN THIS CONTRACT

12	100% CONSTRUCTION DRAWINGS	16/12/15
11	100% CONSTRUCTION DRAWINGS	16/11/28
10	100% CONSTRUCTION DRAWINGS	16/11/18
9	100% CONSTRUCTION DRAWINGS	16/11/04
8	100% CONSTRUCTION DRAWINGS	16/10/12
7	100% CONSTRUCTION DRAWINGS ISSUED FOR REVIEW	16/09/23
6	99% CONSTRUCTION DRAWINGS ISSUED FOR REVIEW	16/09/07
5	99% CONSTRUCTION DRAWINGS ISSUED FOR REVIEW	16/08/05
4	99% CONSTRUCTION DRAWINGS ISSUED FOR REVIEW	16/07/04
3	99% CONSTRUCTION DRAWINGS ISSUED FOR REVIEW	16/06/24
2	66% CONSTRUCTION DRAWINGS ISSUED FOR REVIEW	16/06/09
1	33% CONSTRUCTION DRAWINGS ISSUED FOR REVIEW	16/06/01

Revision/Revision	Description/Description	Date/Date
-------------------	-------------------------	-----------

Client/client  
**Veterans Affairs Canada / Anciens Combattants Canada**

Project title/Titre du projet  
**ESQUIMALT, B.C. VETERANS DRIVE**  
**ESQUIMALT VETERANS CEMETERY EXPANSION**

Consultant Signature Box Only

Designed by/Concept par  
**LEES + ASSOCIATES**

Drawn by/Dessiné par  
**LEES + ASSOCIATES / DATE (2016.12.15)**

PWGSC Project Manager/Administrateur de Projets TPSGC  
**REZA HAGHIGHI**

PWGSC, Regional Manager, Architectural and Engineering Services/  
 Gestionnaire régionale, Services d'architectural et de génie, TPSGC

Drawing title/Titre du dessin  
**STAGING & SITE ACCESS**

Project No./No. du projet  
**R.080256.003.**

Sheet/Feuille  
**L3.0**  
**5 OF 33**

Revision no./La Révision no.  
**12**



Z:\Active Clients\Public Works and Government Services Canada\16-854 God's Acre Veterans Cemetery Esquimalt\6\_CAD\Working Drawings\CD Set\16-854\_EVC Exp\_L3.0-L3.1-L3.2\_Staging\_Laydown & Access.dwg



- LEGEND**
- TEMPORARY SURFACING
  - TEMPORARY STAGING/STORAGE AREAS
  - ACCESS ROUTES
  - TEMPORARY SITE PROTECTION FENCING
  - EXISTING ASPHALT SURFACE



**COLUMBARIA SHOWN ARE FOR REFERENCE ONLY, NOT INCLUDED IN THIS CONTRACT**

Revision/Revision	Description/Description	Date/Date
12	100% CONSTRUCTION DRAWINGS	16/12/15
11	100% CONSTRUCTION DRAWINGS	16/11/28
10	100% CONSTRUCTION DRAWINGS	16/11/18
9	100% CONSTRUCTION DRAWINGS	16/11/04
8	100% CONSTRUCTION DRAWINGS	16/10/12
7	100% CONSTRUCTION DRAWINGS ISSUED FOR REVIEW	16/09/23
6	99% CONSTRUCTION DRAWINGS ISSUED FOR REVIEW	16/09/07
5	99% CONSTRUCTION DRAWINGS ISSUED FOR REVIEW	16/08/05
4	99% CONSTRUCTION DRAWINGS ISSUED FOR REVIEW	16/07/04
3	99% CONSTRUCTION DRAWINGS ISSUED FOR REVIEW	16/06/24
2	66% CONSTRUCTION DRAWINGS ISSUED FOR REVIEW	16/06/09
1	33% CONSTRUCTION DRAWINGS ISSUED FOR REVIEW	16/06/01

Client/client  
 Veterans Affairs Canada / Anciens Combattants Canada

Project title/Titre du projet  
**ESQUIMALT, B.C. VETERANS DRIVE**  
**ESQUIMALT VETERANS CEMETERY EXPANSION**

Consultant Signature Box Only  
 Designed by/Concept par  
**LEES + ASSOCIATES**  
 Drawn by/Dessiné par  
**LEES + ASSOCIATES / DATE (2016.12.15)**  
 PWGSC Project Manager/Administrateur de Projets TPSGC  
**REZA HAGHIGHI**  
PWGSC, Regional Manager, Architectural and Engineering Services / Gestionnaire régionale, Services d'architecture et de génie, TPSGC

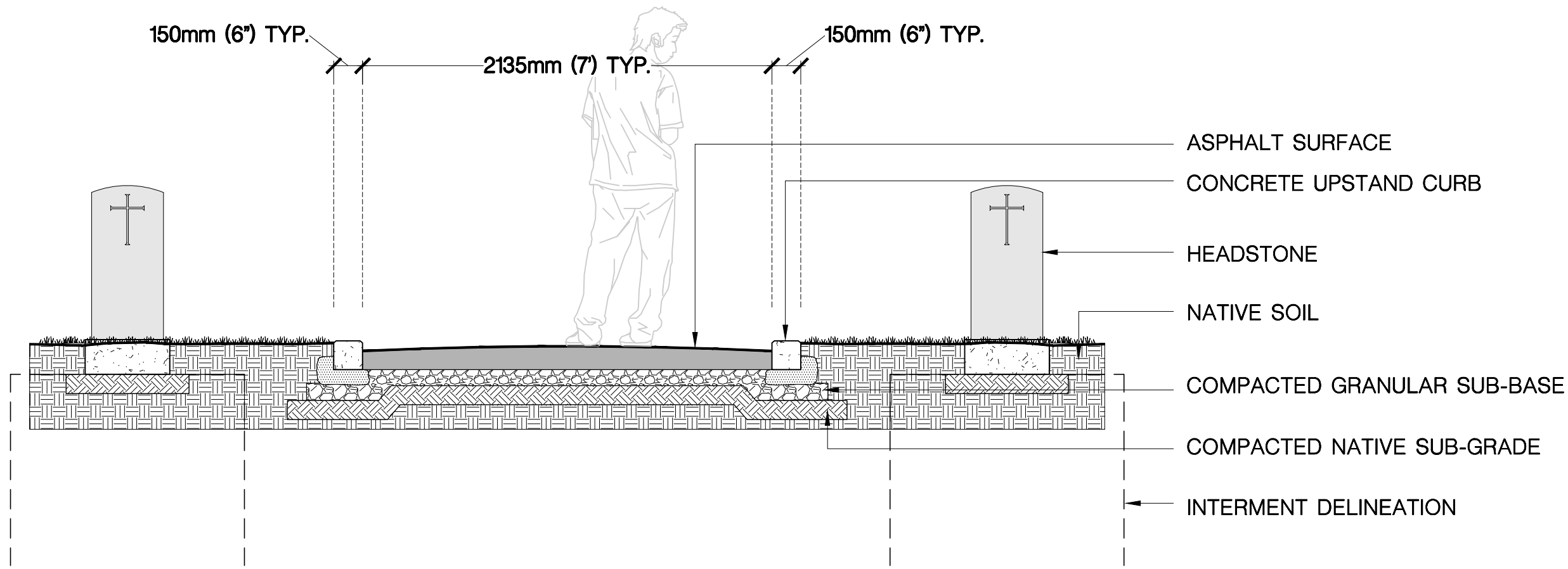
Drawing title/Titre du dessin  
**STAGING & SITE ACCESS**

Project No./No. du projet  
**R.080256.003.**

Sheet/Feuille  
**L3.1**  
**6 OF 33**

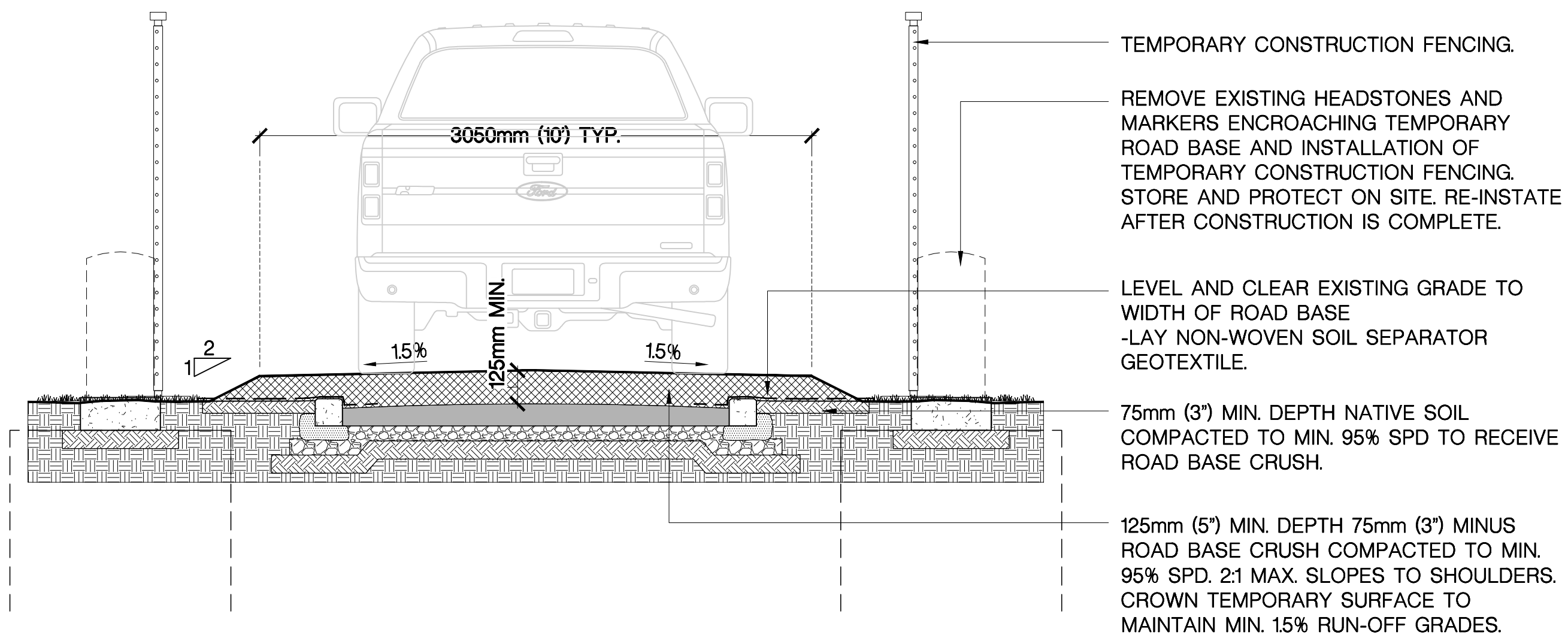
Revision no./La Révision no.  
**12**

Z:\Active Clients\Public Works and Government Services Canada\16-854 God's Acre Veterans Cemetery Esquimalt\6\_CAD\Working Drawings\CD Set\16-854\_EVC Exp\_L3.0-L3.1-L3.2\_Staging\_Laydown & Access.dwg



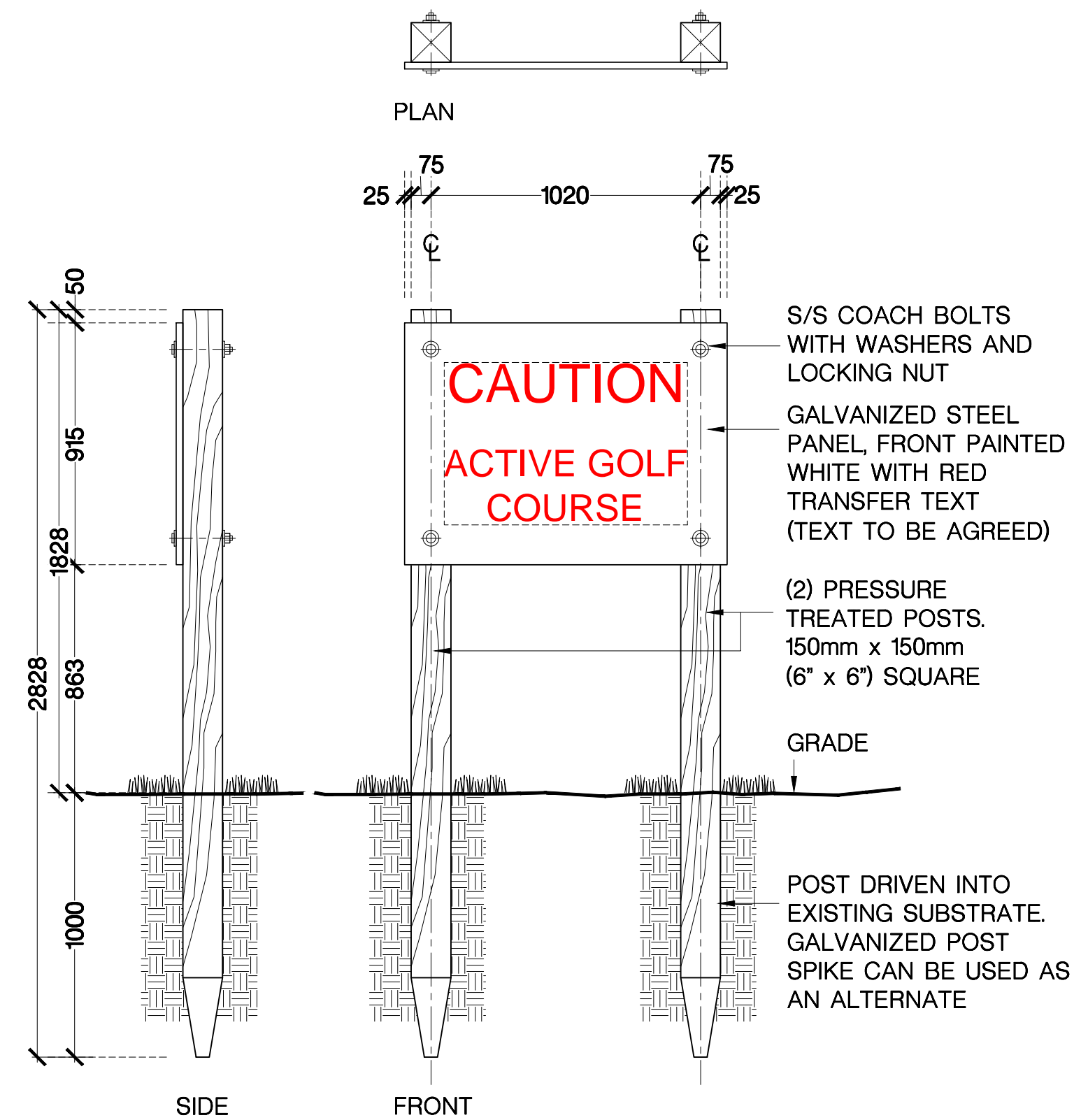
**1** EXISTING ASPHALT ACCESS ROAD - TYPICAL SECTION

L3.2 SCALE: 125



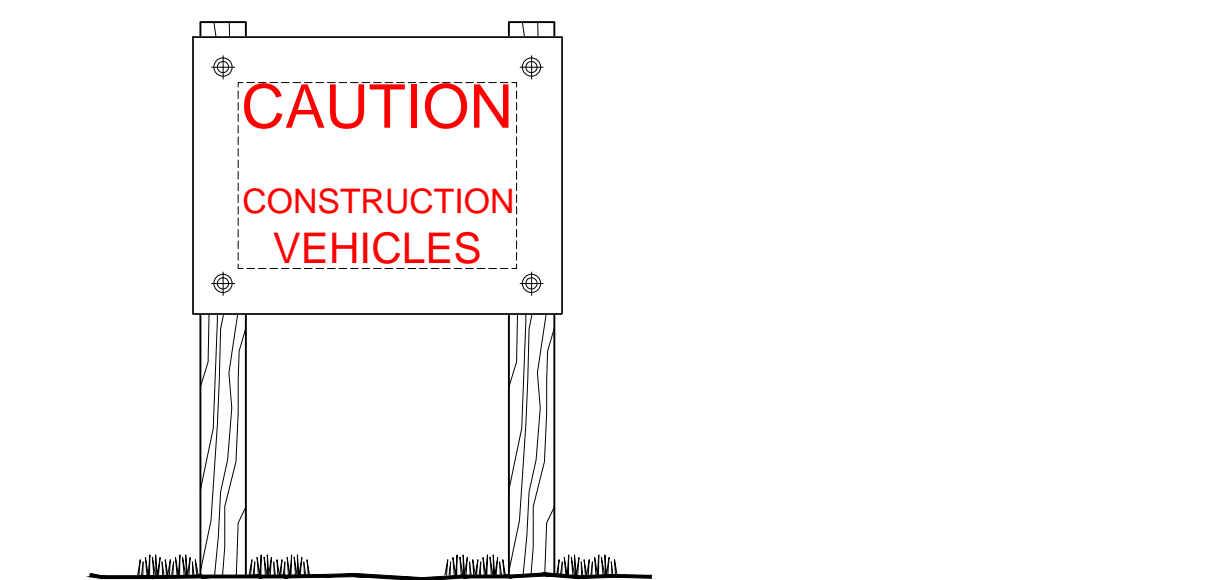
**2** TEMPORARY SURFACE TO ACCESS ROAD - TYPICAL SECTION

L3.2 SCALE: 125



**3** SIGNAGE FOR SITE TRAFFIC

L3.2 SCALE: 120



**4** SIGNAGE FOR CART PATH USERS - FRONT ELEVATION

L3.2 SCALE: 125



COLUMBARIA SHOWN ARE FOR REFERENCE ONLY, NOT INCLUDED IN THIS CONTRACT

12	100% CONSTRUCTION DRAWINGS	16/12/15
11	100% CONSTRUCTION DRAWINGS	16/11/28
10	100% CONSTRUCTION DRAWINGS	16/11/18
9	100% CONSTRUCTION DRAWINGS	16/11/04
8	100% CONSTRUCTION DRAWINGS	16/10/12
7	100% CONSTRUCTION DRAWINGS ISSUED FOR REVIEW	16/09/23
6	99% CONSTRUCTION DRAWINGS ISSUED FOR REVIEW	16/09/07
5	99% CONSTRUCTION DRAWINGS ISSUED FOR REVIEW	16/08/05
4	99% CONSTRUCTION DRAWINGS ISSUED FOR REVIEW	16/07/04
3	99% CONSTRUCTION DRAWINGS ISSUED FOR REVIEW	16/06/24
2	66% CONSTRUCTION DRAWINGS ISSUED FOR REVIEW	16/06/09
1	33% CONSTRUCTION DRAWINGS ISSUED FOR REVIEW	16/06/01

Revision/Revision	Description/Description	Date/Date
-------------------	-------------------------	-----------

Client/client: Veterans Affairs Canada / Anciens Combattants Canada

Project title/Titre du projet: ESQUIMALT, B.C. VETERANS DRIVE  
**ESQUIMALT VETERANS CEMETERY EXPANSION**

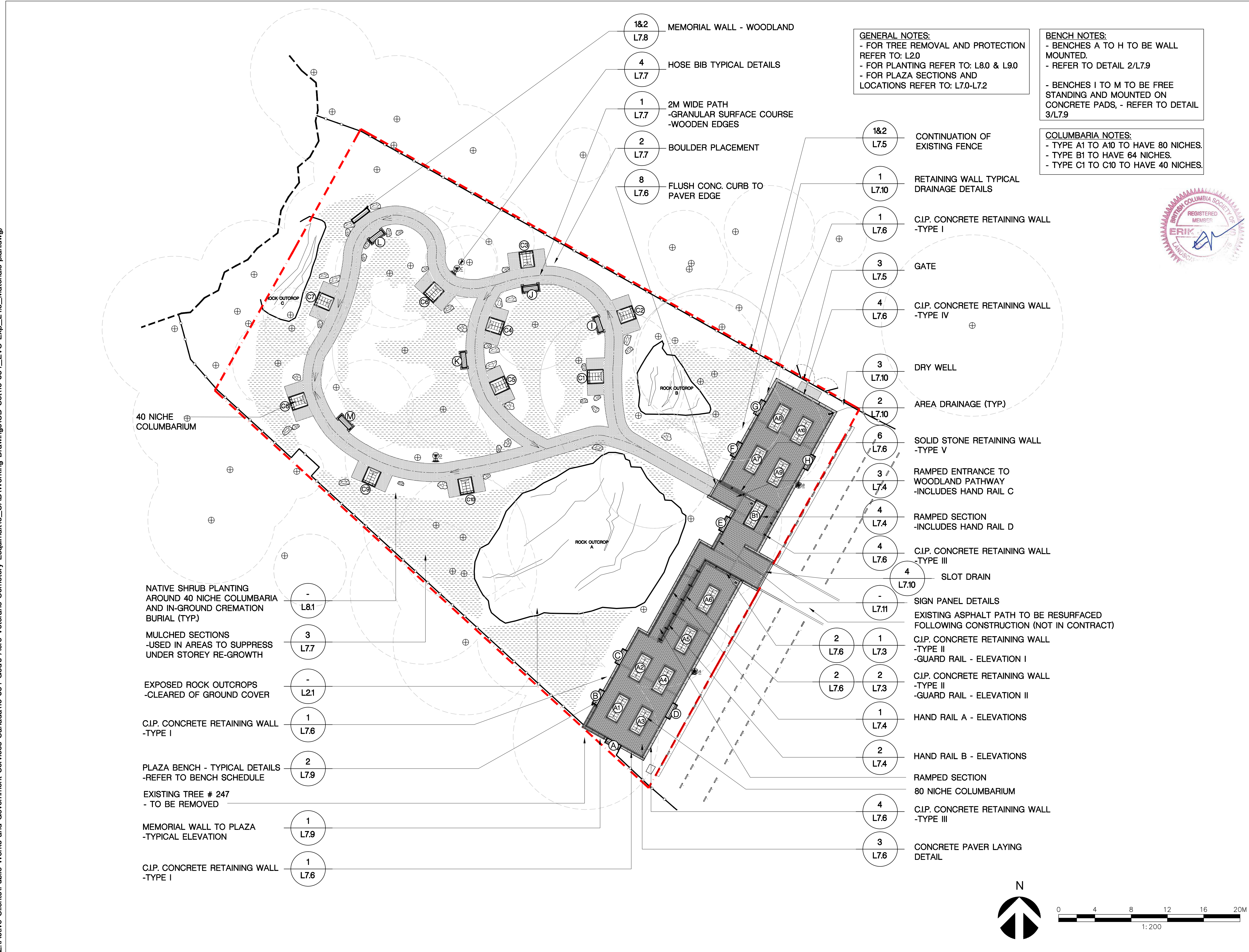
Consultant Signature Box Only

Designed by/Concept par: LEES + ASSOCIATES  
 Drawn by/Dessiné par: LEES + ASSOCIATES / DATE (2016.12.15)  
 PWGSC Project Manager/Administrateur de Projets TPSGC: REZA HAGHIGHI  
 PWGSC, Regional Manager, Architectural and Engineering Services/Gestionnaire régionale, Services d'architectural et de génie, TPSGC

Drawing title/Titre du dessin: **STAGING & SITE ACCESS DETAILS**

Project No./No. du projet: R.080256.003  
 Sheet/Feuille: **L3.2**  
 Revision no./La Révision no.: **12**  
**7 OF 33**

Z:\Active Clients\Public Works and Government Services Canada\16-854 God's Acre Veterans Cemetery Esquimalt\6\_CAD\Working Drawings\CD Set\16-854\_EVC\_Exp\_L40\_Materials plan.dwg



**GENERAL NOTES:**  
 - FOR TREE REMOVAL AND PROTECTION REFER TO: L20  
 - FOR PLANTING REFER TO: L8.0 & L9.0  
 - FOR PLAZA SECTIONS AND LOCATIONS REFER TO: L7.0-L7.2

**BENCH NOTES:**  
 - BENCHES A TO H TO BE WALL MOUNTED.  
 - REFER TO DETAIL 2/L7.9  
 - BENCHES I TO M TO BE FREE STANDING AND MOUNTED ON CONCRETE PADS, - REFER TO DETAIL 3/L7.9

**COLUMBARIA NOTES:**  
 - TYPE A1 TO A10 TO HAVE 80 NICHE.  
 - TYPE B1 TO HAVE 64 NICHE.  
 - TYPE C1 TO C10 TO HAVE 40 NICHE.



- LEGEND**
- PROPERTY BOUNDARY
  - AREAS WITH MULCH
  - NEW PLAZA CONCRETE PAVER SURFACE
  - NEW GREY GRANITE SURFACE COURSE - 4MM MINUS
  - CONTOUR AT 1M INTERVALS
  - CONTOUR AT 0.2M INTERVALS
  - NEW FENCE
  - APPROXIMATE EXTENTS OF BEDROCK OUTCROPS
  - 80 NICHE COLUMBARIUM
  - 40 NICHE COLUMBARIUM
  - NEW BENCH
  - IN-GROUND CREMATION LOT
  - BOULDERS
  - GRANITE CAP
  - TREE ID NUMBER - REFER TO ARBORIST'S REPORT
  - HOSE BIB LOCATION

COLUMBARIA SHOWN ARE FOR REFERENCE ONLY, NOT INCLUDED IN THIS CONTRACT

Revision/	Description/Description	Date/Date
12	100% CONSTRUCTION DRAWINGS	16/12/15
11	100% CONSTRUCTION DRAWINGS	16/11/28
10	100% CONSTRUCTION DRAWINGS	16/11/18
9	100% CONSTRUCTION DRAWINGS	16/11/04
8	100% CONSTRUCTION DRAWINGS	16/10/12
7	100% CONSTRUCTION DRAWINGS ISSUED FOR REVIEW	16/09/23
6	99% CONSTRUCTION DRAWINGS ISSUED FOR REVIEW	16/09/07
5	99% CONSTRUCTION DRAWINGS ISSUED FOR REVIEW	16/08/05
4	99% CONSTRUCTION DRAWINGS ISSUED FOR REVIEW	16/07/04
3	99% CONSTRUCTION DRAWINGS ISSUED FOR REVIEW	16/06/24
2	66% CONSTRUCTION DRAWINGS ISSUED FOR REVIEW	16/06/09
1	33% CONSTRUCTION DRAWINGS ISSUED FOR REVIEW	16/06/01

Client/client  
 Veterans Affairs Canada / Anciens Combattants Canada

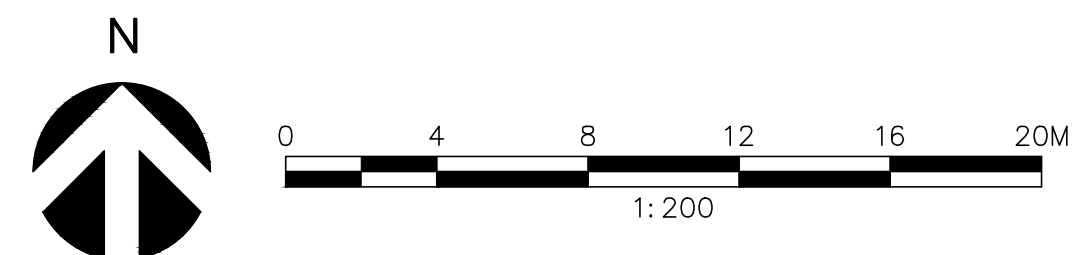
Project title/Titre du projet  
**ESQUIMALT, B.C. VETERANS DRIVE**  
**ESQUIMALT VETERANS CEMETERY EXPANSION**

Consultant Signature Box Only  
 Designed by/Concept par  
**LEES + ASSOCIATES**  
 Drawn by/Dessiné par  
**LEES + ASSOCIATES / DATE (2016.12.15)**  
 PWGSC Project Manager/Administrateur de Projets TPSGC  
**REZA HAGHIGHI**

PWGSC, Regional Manager, Architectural and Engineering Services/  
 Gestionnaire régionale, Services d'architecture et de génie, TPSGC

Drawing title/Titre du dessin  
**MATERIALS PLAN**

Project No./No. du projet  
**R.080256.003.**  
 Sheet/ Feuille  
**L4.0**  
 Revision no./  
 La Révision no.  
**12**  
**8 OF 33**

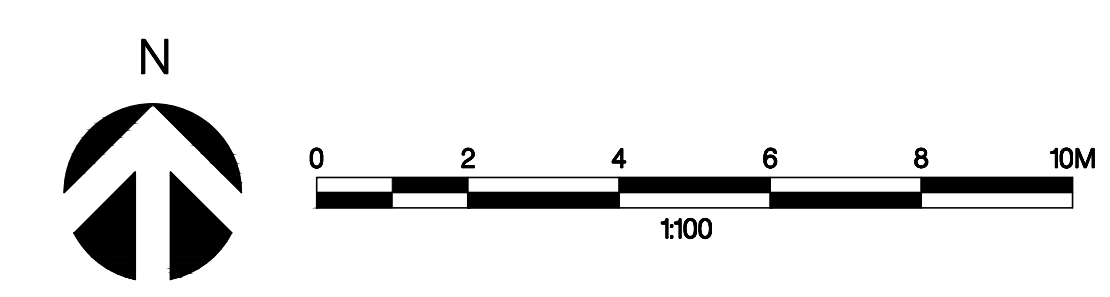




Z:\Active Clients\Public Works and Government Services Canada\16-854 God's Acre Veterans Cemetery Esquimalt\CAD\Working Drawings\CD Set\16-854\_EVC Exp\_L5.0&L5.1\_Grading.dwg



**1 KEY PLAN**  
L5.0 SCALE: 1:1000



Public Works and Government Services Canada  
Travaux publics et Services gouvernementaux Canada

**REAL PROPERTY SERVICES**  
Pacific Region  
**SERVICES IMMOBILIERS**  
Région de Pacifique

- LEGEND**
- PROPERTY BOUNDARY
  - AREAS WITH MULCH
  - NEW PLAZA CONCRETE PAVER SURFACE
  - NEW GREY GRANITE SURFACE COURSE - 4MM MINUS
  - CONTOUR AT 1M INTERVALS
  - CONTOUR AT 0.2M INTERVALS
  - NEW FENCE
  - APPROXIMATE EXTENTS OF BEDROCK OUTCROPS
  - 80 NICHE COLUMBARIUM
  - 40 NICHE COLUMBARIUM
  - NEW BENCH
  - IN-GROUND CREMATION LOT
  - BOULDERS
  - GRANITE CAP
  - ITEM DESCRIPTION
  - FINISHED GRADE
  - SPOT ELEVATION
  - LOCATION

COLUMBARIA SHOWN ARE FOR REFERENCE ONLY, NOT INCLUDED IN THIS CONTRACT

Revision/	Description/Description	Date/Date
12	100% CONSTRUCTION DRAWINGS	16/12/15
11	100% CONSTRUCTION DRAWINGS	16/11/28
10	100% CONSTRUCTION DRAWINGS	16/11/18
9	100% CONSTRUCTION DRAWINGS	16/11/04
8	100% CONSTRUCTION DRAWINGS	16/10/12
7	100% CONSTRUCTION DRAWINGS ISSUED FOR REVIEW	16/09/23
6	99% CONSTRUCTION DRAWINGS ISSUED FOR REVIEW	16/09/07
5	99% CONSTRUCTION DRAWINGS ISSUED FOR REVIEW	16/08/05
4	99% CONSTRUCTION DRAWINGS ISSUED FOR REVIEW	16/07/04
3	99% CONSTRUCTION DRAWINGS ISSUED FOR REVIEW	16/06/24
2	66% CONSTRUCTION DRAWINGS ISSUED FOR REVIEW	16/06/09
1	33% CONSTRUCTION DRAWINGS ISSUED FOR REVIEW	16/06/01

Client/client  
 Veterans Affairs Canada  
 Anciens Combattants Canada

Project title/Titre du projet  
**ESQUIMALT, B.C. VETERANS DRIVE**  
**ESQUIMALT VETERANS CEMETERY EXPANSION**

Consultant Signature Box Only

Designed by/Concept par  
**LEES + ASSOCIATES**

DRAWN by/Dessiné par  
**LEES + ASSOCIATES / DATE (2016.12.15)**

PWGSC Project Manager/Administrateur de Projets TPSGC  
**REZA HAGHIGHI**

PWGSC, Regional Manager, Architectural and Engineering Services/  
 Gestionnaire régionale, Services d'architecture et de génie, TPSGC

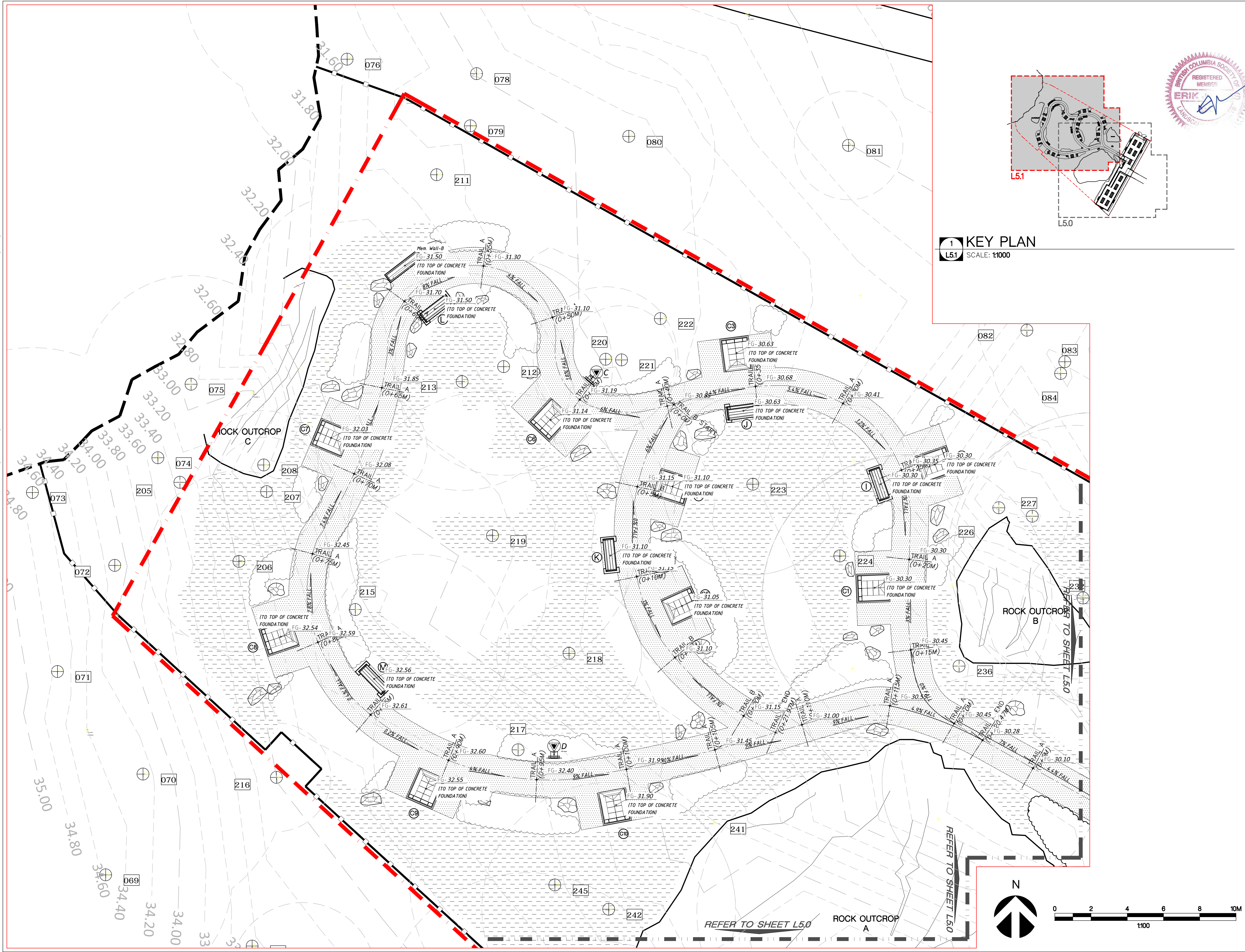
Drawing title/Titre du dessin  
**GRADING PLAN**

Project No./No. du projet  
**R.080256.003.**

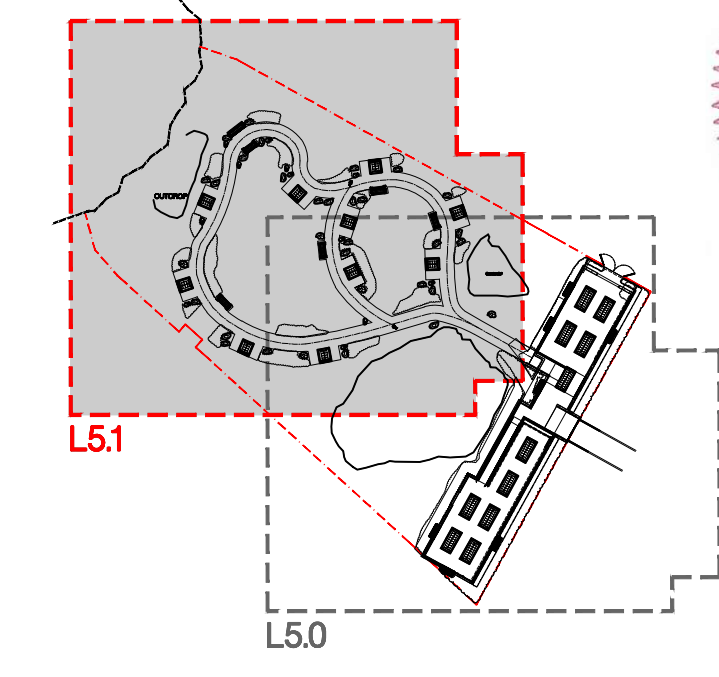
Sheet/Feuille  
**L5.0**  
 9 OF 33

Revision no./La Révision no.  
**12**

Z:\Active Clients\Public Works and Government Services Canada\16-854 God's Acre Veterans Cemetery Esquimalt\6\_CAD\Working Drawings\CD Set\16-854\_EVC Exp\_L5.0&L5.1\_Grading.dwg



**1 KEY PLAN**  
L5.1 SCALE: 1:1000



- LEGEND**
- PROPERTY BOUNDARY
  - AREAS WITH MULCH
  - NEW PLAZA CONCRETE PAVER SURFACE
  - NEW GREY GRANITE SURFACE COURSE - 4MM MINUS
  - CONTOUR AT 1M INTERVALS
  - CONTOUR AT 0.2M INTERVALS
  - NEW FENCE
  - APPROXIMATE EXTENTS OF BEDROCK OUTCROPS
  - 80 NICHE COLUMBARIUM
  - 40 NICHE COLUMBARIUM
  - NEW BENCH
  - IN-GROUND CREMATION LOT
  - BOULDERS
  - GRANITE CAP
  - ITEM DESCRIPTION
  - FINISHED GRADE SPOT ELEVATION LOCATION

**COLUMBARIA SHOWN ARE FOR REFERENCE ONLY, NOT INCLUDED IN THIS CONTRACT**

Revision/Revisión	Description/Description	Date/Date
12	100% CONSTRUCTION DRAWINGS	16/12/15
11	100% CONSTRUCTION DRAWINGS	16/11/28
10	100% CONSTRUCTION DRAWINGS	16/11/18
9	100% CONSTRUCTION DRAWINGS	16/11/04
8	100% CONSTRUCTION DRAWINGS	16/10/12
7	100% CONSTRUCTION DRAWINGS ISSUED FOR REVIEW	16/09/23
6	99% CONSTRUCTION DRAWINGS ISSUED FOR REVIEW	16/09/07
5	99% CONSTRUCTION DRAWINGS ISSUED FOR REVIEW	16/08/05
4	99% CONSTRUCTION DRAWINGS ISSUED FOR REVIEW	16/07/04
3	99% CONSTRUCTION DRAWINGS ISSUED FOR REVIEW	16/06/24
2	66% CONSTRUCTION DRAWINGS ISSUED FOR REVIEW	16/06/09
1	33% CONSTRUCTION DRAWINGS ISSUED FOR REVIEW	16/06/01

Client/client  
**Veterans Affairs Canada** / **Anciens Combattants Canada**

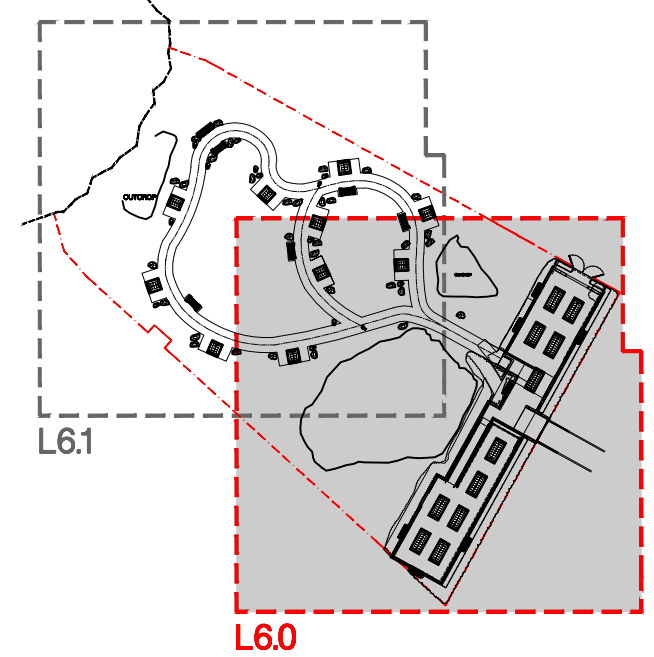
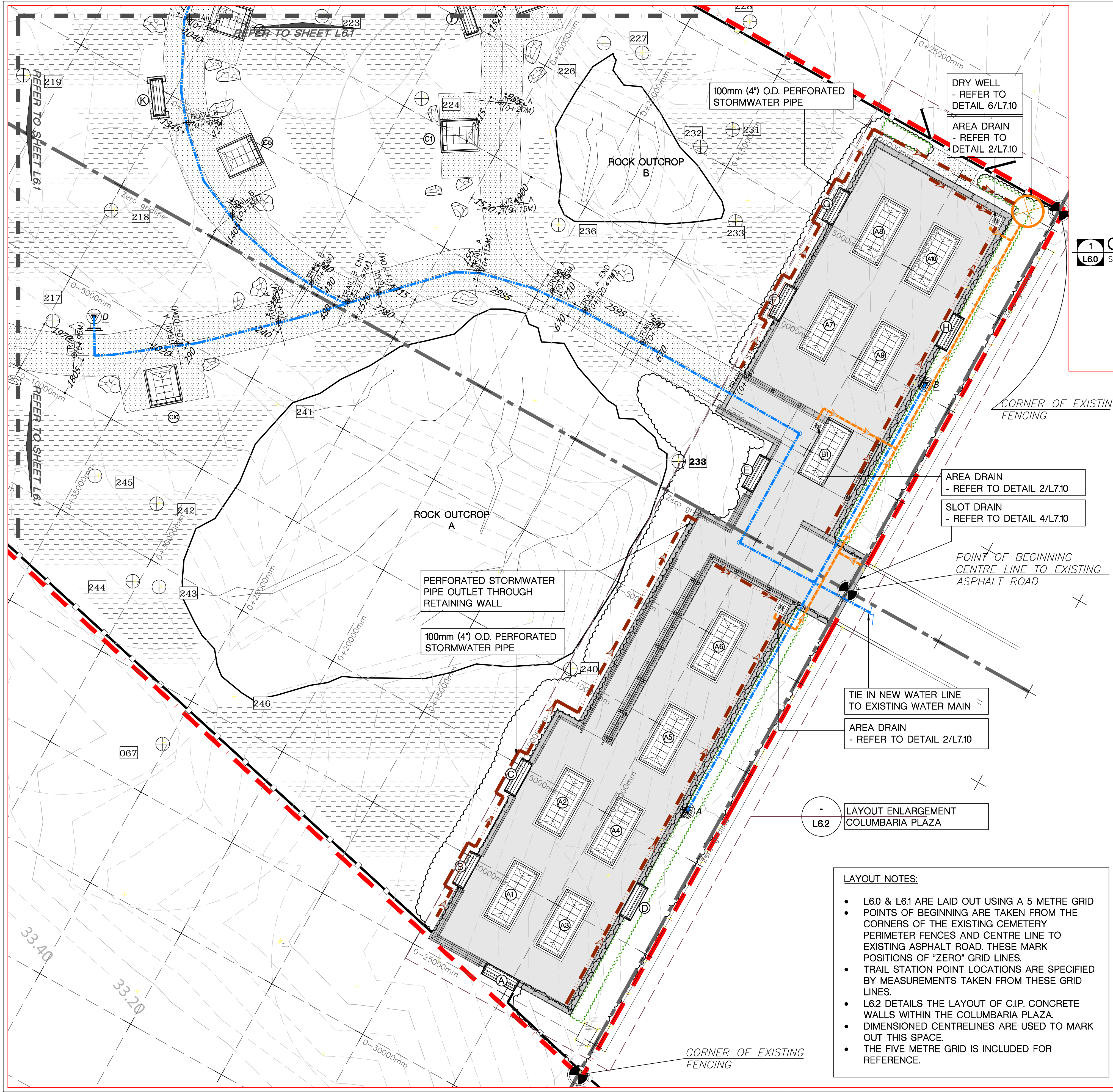
Project title/Titre du projet  
**ESQUIMALT, B.C. VETERANS DRIVE**  
**ESQUIMALT VETERANS CEMETERY EXPANSION**

Consultant Signature Box Only  
 Designed by/Concept par  
**LEES + ASSOCIATES**  
 Drawn by/Dessiné par  
**LEES + ASSOCIATES / DATE (2016.12.15)**  
 PWGSC Project Manager/Administrateur de Projets TPSGC  
**REZA HAGHIGHI**  
 PWGSC, Regional Manager, Architectural and Engineering Services/  
 Gestionnaire régionale, Services d'architecture et de génie, TPSGC

Drawing title/Titre du dessin  
**GRADING PLAN**

Project No./No. du projet  
**R.080256.003.**  
 Sheet/Feuille  
**L5.1**  
 10 OF 33  
 Revision no./La Révision no.  
**12**

Z:\Active Clients\Public Works and Government Services Canada\16-854 God's Acre Veterans Cemetery Esquimalt\6\_CAD\Working Drawings\CD Set\16-854\_EVC Exp\_L6.0&L6.1\_Layout + Drainage.dwg



**1** CONTEXT PLAN  
L6.0 SCALE: 1:1000

**MAINS WATER NOTES:**

- LOCATION OF EXISTING WATER LINE TO BE DETERMINED ON SITE WITH OWNER.
- RECOMMENDED TYPE, OR APPROVED EQUAL: IPEX PIPE WITH COMPRESSION FITTINGS.
- LOCATIONS AND INSTALLATION METHOD TO BE CONFIRMED WITH DEPARTMENTAL REPRESENTATIVE.
- PIPE TYPE:
  - 25.4MM (1") DIA. COLOUR BLUE
- FITTINGS:
  - 25.4MM (1") PUSH FIT BALL VALVE WITH DRAIN/VENT 1 (5No)
  - 25.4MM (1") PUSH FIT 1" x 1" x 1" TEE (3No)
  - 25.4MM (1") PUSH FIT ELBOW (4No)

**INSPECTION CHAMBERS**

- AT BENDS & TO SHUT OFF VALVES (6No)
- PLACE IN CONCRETE SURROUND IN PLAZA PAVING (3No)
- TYPE:
  - 150MM (6") ROUND BOX, ROUND OVERLAPPING COVER - WATER
  - COLOUR GREEN

**STORM WATER NOTES:**

- 101MM (4") OUTSIDE DIA. P.V.C. PIPE
- 1% MINIMUM GRADE.
- LOCATIONS, NUMBERS AND INSTALLATION METHOD TO BE CONFIRMED WITH DEPARTMENTAL REPRESENTATIVE.
- FITTINGS:
  - 101MM (4") P.V.C. 90-DEGREE ELBOW, HUB x HUB, SOLVENT WELD FITTING (5No)
  - 101MM (4") P.V.C. 45-DEGREE WYE (5No)
  - 101MM (4") P.V.C. MPT PLUG TO WYE OPEN TERMINAL (5No)

**INSPECTION CHAMBERS**

- AT BENDS (5No)
- PLACE IN CONCRETE SURROUND IN PLAZA PAVING (2No)
- TYPE:
  - 254MM (10") ROUND BOX, ROUND OVERLAPPING BOLT DOWN COVER - SEWER
  - COLOUR GREEN

**LAYOUT NOTES:**

- L6.0 & L6.1 ARE LAID OUT USING A 5 METRE GRID
- POINTS OF BEGINNING ARE TAKEN FROM THE CORNERS OF THE EXISTING CEMETERY PERIMETER FENCES AND CENTRE LINE TO EXISTING ASPHALT ROAD. THESE MARK POSITIONS OF "ZERO" GRID LINES.
- TRAIL STATION POINT LOCATIONS ARE SPECIFIED BY MEASUREMENTS TAKEN FROM THESE GRID LINES.
- L6.2 DETAILS THE LAYOUT OF C.I.P. CONCRETE WALLS WITHIN THE COLUMBARIA PLAZA.
- DIMENSIONED CENTRELINES ARE USED TO MARK OUT THIS SPACE.
- THE FIVE METRE GRID IS INCLUDED FOR REFERENCE.

Public Works and Government Services Canada  
Travaux publics et Services gouvernementaux Canada

**REAL PROPERTY SERVICES**  
Pacific Region  
**SERVICES IMMOBILIERS**  
Région de Pacifique

**LEGEND**

- PROPERTY BOUNDARY
- AREAS WITH MULCH
- NEW PLAZA CONCRETE PAVER SURFACE
- NEW GREY GRANITE SURFACE COURSE - 4MM MINUS
- CONTOUR AT 1M INTERVALS
- CONTOUR AT 0.2M INTERVALS
- NEW FENCE
- APPROXIMATE EXTENTS OF BEDROCK OUTCROPS
- 80 NICHE COLUMBARIUM
- 40 NICHE COLUMBARIUM
- NEW BENCH
- IN-GROUND CREMATION LOT
- BOULDERS
- GRANITE CAP
- HOSE BIB LOCATION
- DIMENSION REFERENCED TO GRID
- DIMENSION NOT REFERENCED TO GRID
- NEW WATER LINE
- NEW STORM WATER PIPE
- NEW PERFORATED STORM WATER PIPE

Revision/Revision	Description/Description	Date/Date
12	100% CONSTRUCTION DRAWINGS	16/12/15
11	100% CONSTRUCTION DRAWINGS	16/11/28
10	100% CONSTRUCTION DRAWINGS	16/11/18
9	100% CONSTRUCTION DRAWINGS	16/11/04
8	100% CONSTRUCTION DRAWINGS	16/10/12
7	100% CONSTRUCTION DRAWINGS ISSUED FOR REVIEW	16/09/23
6	99% CONSTRUCTION DRAWINGS ISSUED FOR REVIEW	16/09/07
5	99% CONSTRUCTION DRAWINGS ISSUED FOR REVIEW	16/08/05
4	99% CONSTRUCTION DRAWINGS ISSUED FOR REVIEW	16/07/04
3	99% CONSTRUCTION DRAWINGS ISSUED FOR REVIEW	16/06/24
2	66% CONSTRUCTION DRAWINGS ISSUED FOR REVIEW	16/06/09
1	33% CONSTRUCTION DRAWINGS ISSUED FOR REVIEW	16/06/01

Client/client  
**Veterans Affairs Canada / Anciens Combattants Canada**

Project title/Titre du projet  
**ESQUIMALT, B.C. VETERANS DRIVE ESQUIMALT VETERANS CEMETERY EXPANSION**

Consultant Signature Box Only

Designed by/Concept par  
**LEES + ASSOCIATES**

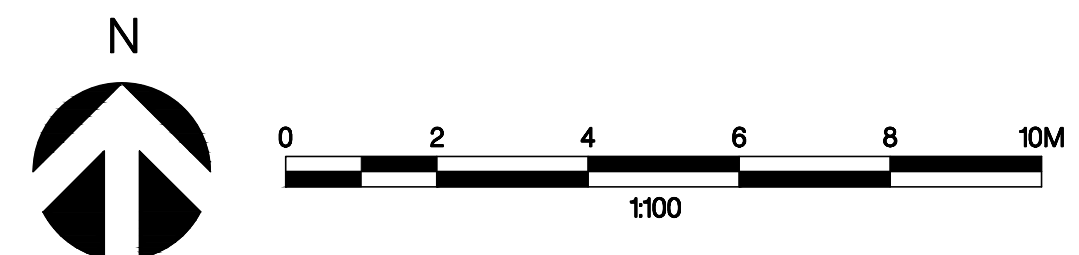
Drawn by/Dessiné par  
**LEES + ASSOCIATES / DATE (2016.12.15)**

PWSSC Project Manager/Administrateur de Projets TPSGC  
**REZA HAGHIGHI**

PWSSC, Regional Manager, Architectural and Engineering Services/Gestionnaire régionale, Services d'architecture et de génie, TPSGC

Drawing title/Titre du dessin  
**LAYOUT AND DRAINAGE PLAN**

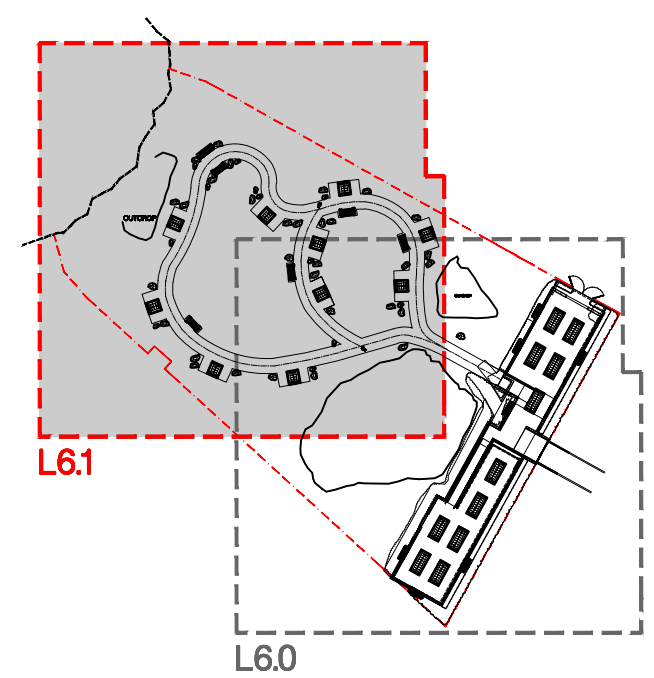
Project No./No. du projet <b>R.080256.003.</b>	Sheet/Feuille <b>L6.0</b>	Revision no./Lo Révision no. <b>12</b>
	<b>11 OF 33</b>	



Z:\Active Clients\Public Works and Government Services Canada\16-854 God's Acre Veterans Cemetery Esquimalt\6\_CAD\Working Drawings\CD Set\16-854\_EVC Exp\_L6.0&L6.1\_Layout + Drainage.dwg

**LAYOUT NOTES:**

- L6.0 & L6.1 ARE LAID OUT USING A 5 METRE GRID
- POINTS OF BEGINNING ARE TAKEN FROM THE CORNERS OF THE EXISTING CEMETERY PERIMETER FENCES AND CENTRE LINE TO EXISTING ASPHALT ROAD. THESE MARK POSITIONS OF "ZERO" GRID LINES.
- TRAIL STATION POINT LOCATIONS ARE SPECIFIED BY MEASUREMENTS TAKEN FROM THESE GRID LINES.
- L6.2 DETAILS THE LAYOUT OF C.I.P. CONCRETE WALLS WITHIN THE COLUMBARIA PLAZA.
- DIMENSIONED CENTRELINES ARE USED TO MARK OUT THIS SPACE.
- THE FIVE METRE GRID IS INCLUDED FOR REFERENCE.



**1** CONTEXT PLAN  
L6.1 SCALE: 1:1000

**MAINS WATER NOTES:**

- LOCATION OF EXISTING WATER LINE TO BE DETERMINED ON SITE WITH OWNER.
- RECOMMENDED TYPE, OR APPROVED EQUAL: IPEX PIPE WITH COMPRESSION FITTINGS.
- LOCATIONS AND INSTALLATION METHOD TO BE CONFIRMED WITH DEPARTMENTAL REPRESENTATIVE.
- PIPE TYPE:
  - 25.4MM (1") DIA. COLOUR BLUE
- FITTINGS:
  - 25.4MM (1") PUSH FIT BALL VALVE WITH DRAIN/VENT 1 (5No)
  - 25.4MM (1") PUSH FIT 1" x 1" x 1" TEE (3No)
  - 25.4MM (1") PUSH FIT ELBOW (4No)

**INSPECTION CHAMBERS**

- AT BENDS & TO SHUT OFF VALVES (6No)
- PLACE IN CONCRETE SURROUND IN PLAZA PAVING (3No)
- TYPE:
  - 150MM (6") ROUND BOX, ROUND OVERLAPPING COVER - WATER
  - COLOUR GREEN

**STORM WATER NOTES:**

- 101MM (4") OUTSIDE DIA. P.V.C. PIPE
- 1% MINIMUM GRADE.
- LOCATIONS, NUMBERS AND INSTALLATION METHOD TO BE CONFIRMED WITH DEPARTMENTAL REPRESENTATIVE.
- FITTINGS:
  - 101MM (4") P.V.C. 90-DEGREE ELBOW, HUB x HUB, SOLVENT WELD FITTING (5No)
  - 101MM (4") P.V.C. 45-DEGREE WYE (5No)
  - 101MM (4") P.V.C. MPT PLUG TO WYE OPEN TERMINAL (5No)

**INSPECTION CHAMBERS**

- AT BENDS (5No)
- PLACE IN CONCRETE SURROUND IN PLAZA PAVING (2No)
- TYPE:
  - 254MM (10") ROUND BOX, ROUND OVERLAPPING BOLT DOWN COVER - SEWER
  - COLOUR GREEN



**LEGEND**

- PROPERTY BOUNDARY
- AREAS WITH MULCH
- NEW PLAZA CONCRETE PAVER SURFACE
- NEW GREY GRANITE SURFACE COURSE - 4MM MINUS
- CONTOUR AT 1M INTERVALS
- CONTOUR AT 0.2M INTERVALS
- NEW FENCE
- APPROXIMATE EXTENTS OF BEDROCK OUTCROPS
- 80 NICHE COLUMBARIUM
- 40 NICHE COLUMBARIUM
- NEW BENCH
- IN-GROUND CREMATION LOT
- BOULDERS
- GRANITE CAP
- HOSE BIB LOCATION
- DIMENSION REFERENCED TO GRID
- DIMENSION NOT REFERENCED TO GRID
- NEW WATER LINE
- NEW STORM WATER PIPE
- NEW PERFORATED STORM WATER PIPE

Revision/Revision	Description/Description	Date/Date
12	100% CONSTRUCTION DRAWINGS	16/12/15
11	100% CONSTRUCTION DRAWINGS	16/11/28
10	100% CONSTRUCTION DRAWINGS	16/11/18
9	100% CONSTRUCTION DRAWINGS	16/11/04
8	100% CONSTRUCTION DRAWINGS	16/10/12
7	100% CONSTRUCTION DRAWINGS ISSUED FOR REVIEW	16/09/23
6	99% CONSTRUCTION DRAWINGS ISSUED FOR REVIEW	16/09/07
5	99% CONSTRUCTION DRAWINGS ISSUED FOR REVIEW	16/08/05
4	99% CONSTRUCTION DRAWINGS ISSUED FOR REVIEW	16/07/04
3	99% CONSTRUCTION DRAWINGS ISSUED FOR REVIEW	16/06/24
2	66% CONSTRUCTION DRAWINGS ISSUED FOR REVIEW	16/06/09
1	33% CONSTRUCTION DRAWINGS ISSUED FOR REVIEW	16/06/01

Client/client  
 Veterans Affairs Canada  
 Anciens Combattants Canada

Project title/Titre du projet  
**ESQUIMALT, B.C. VETERANS DRIVE**  
**ESQUIMALT VETERANS CEMETERY EXPANSION**

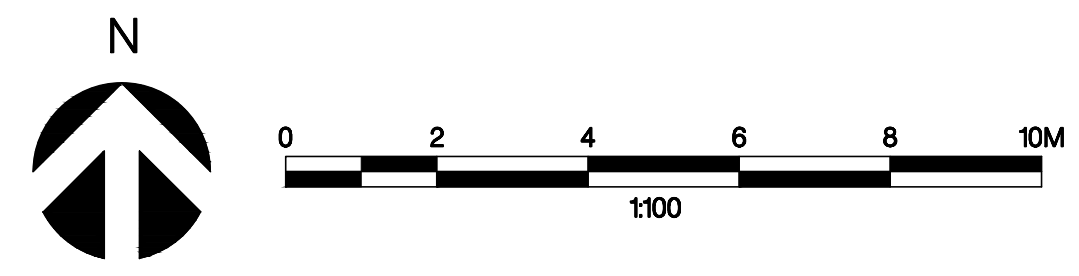
Consultant Signature Box Only  
 Designed by/Concept par  
**LEES + ASSOCIATES**  
 Drawn by/Dessiné par  
**LEES + ASSOCIATES / DATE (2016.12.15)**  
 PWGSC Project Manager/Administrateur de Projets TPSGC  
**REZA HAGHIGHI**  
 PWGSC, Regional Manager, Architectural and Engineering Services/  
 Gestionnaire régionale, Services d'architecture et de génie, TPSGC

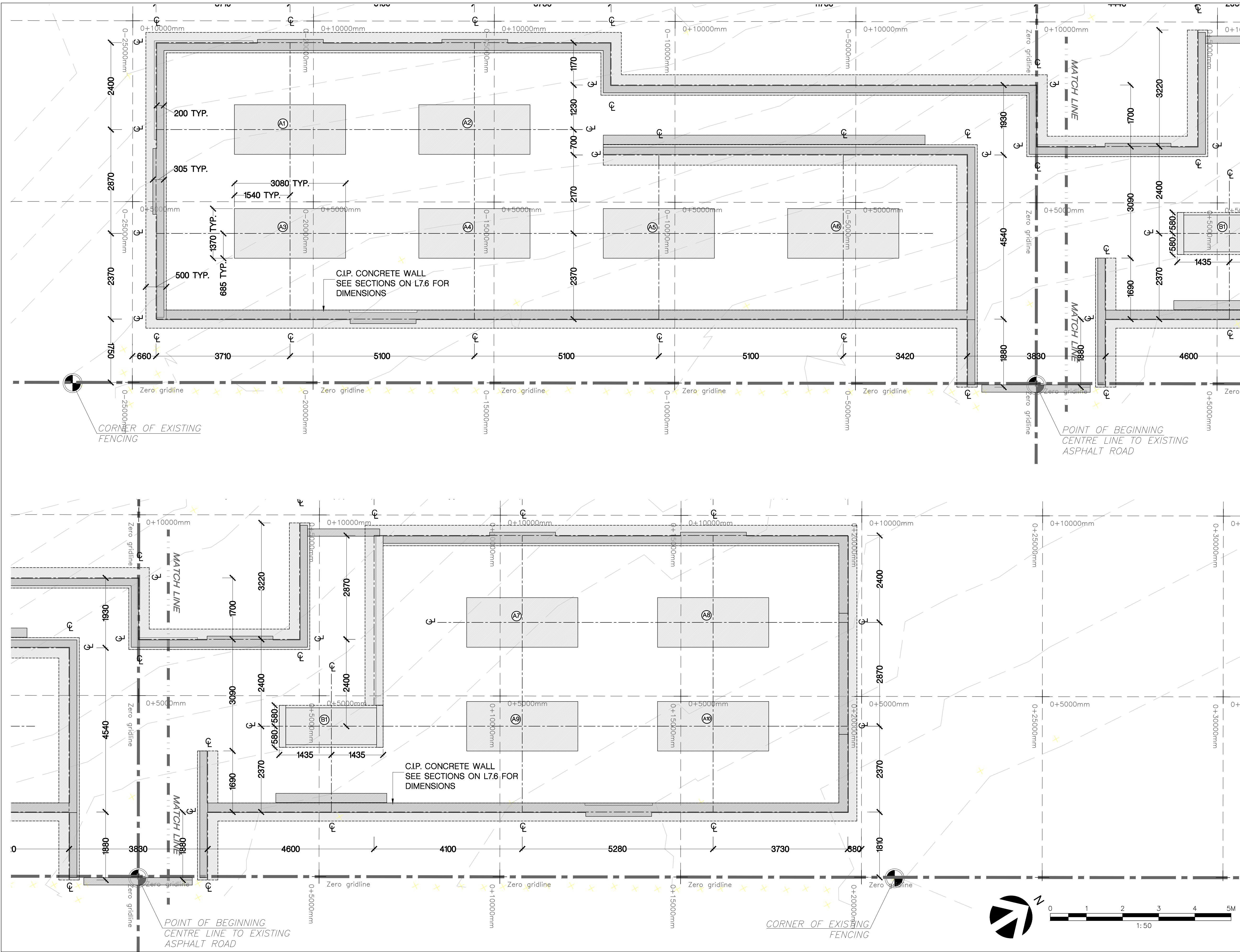
Drawing title/Titre du dessin  
**LAYOUT AND DRAINAGE PLAN**

Project No./No. du projet  
**R.080256.003.**

Sheet/Feuille  
**L6.1**  
 12 OF 33

Revision no./La Révision no.  
**12**





Revision/Revision	Description/Description	Date/Date
12	100% CONSTRUCTION DRAWINGS	16/12/15
11	100% CONSTRUCTION DRAWINGS	16/11/28
10	100% CONSTRUCTION DRAWINGS	16/11/18
9	100% CONSTRUCTION DRAWINGS	16/11/04
8	100% CONSTRUCTION DRAWINGS	16/10/12
7	100% CONSTRUCTION DRAWINGS ISSUED FOR REVIEW	16/09/23
6	99% CONSTRUCTION DRAWINGS ISSUED FOR REVIEW	16/09/07
5	99% CONSTRUCTION DRAWINGS ISSUED FOR REVIEW	16/08/05
4	99% CONSTRUCTION DRAWINGS ISSUED FOR REVIEW	16/07/04
3	99% CONSTRUCTION DRAWINGS ISSUED FOR REVIEW	16/06/24
2	66% CONSTRUCTION DRAWINGS ISSUED FOR REVIEW	16/06/09
1	33% CONSTRUCTION DRAWINGS ISSUED FOR REVIEW	16/06/01

Client/client  
 Veterans Affairs Canada / Anciens Combattants Canada

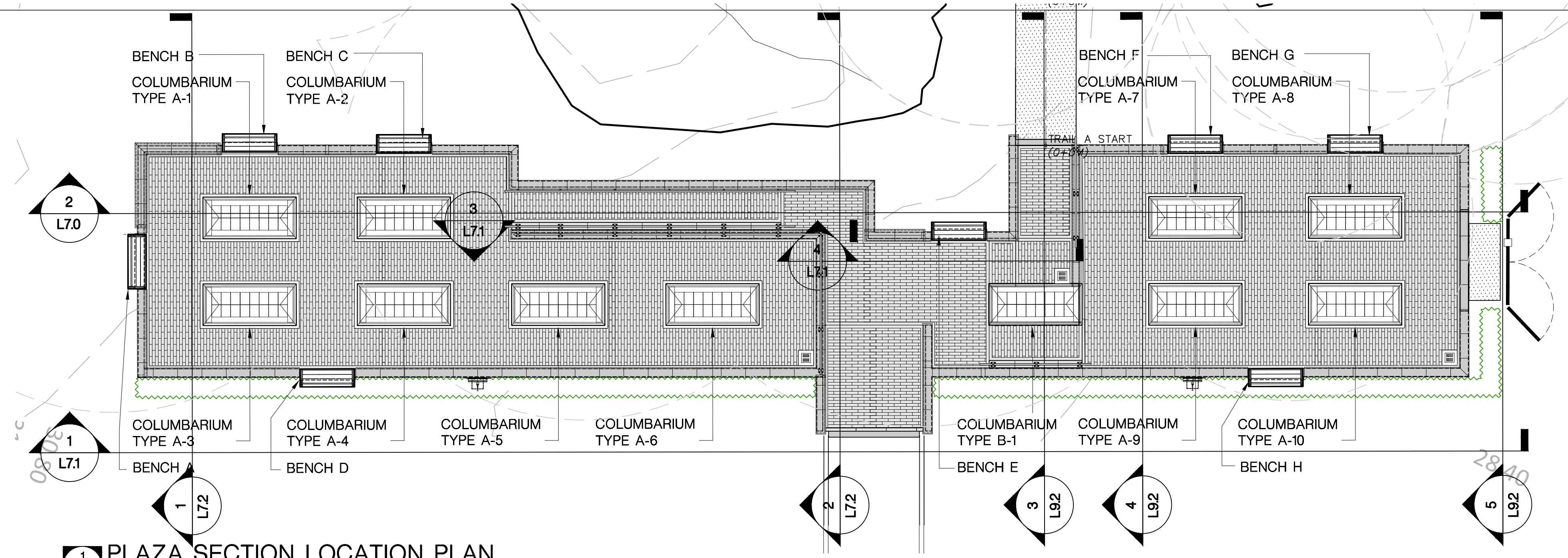
Project title/Titre du projet  
**ESQUIMALT, B.C.  
 VETERANS DRIVE  
 ESQUIMALT VETERANS  
 CEMETERY EXPANSION**

Consultant Signature Box Only  
 Designed by/Concept par  
**LEES + ASSOCIATES**  
 Drawn by/Dessiné par  
**LEES + ASSOCIATES / DATE (2016.12.15)**  
 PWGSC Project Manager/Administrateur de Projets TPSGC  
**REZA HAGHIGHI**  
 PWGSC, Regional Manager, Architectural and Engineering Services/  
 Gestionnaire régionale, Services d'architectural et de génie, TPSGC

Drawing title/Titre du dessin  
**LAYOUT  
 ENLARGED AREA**

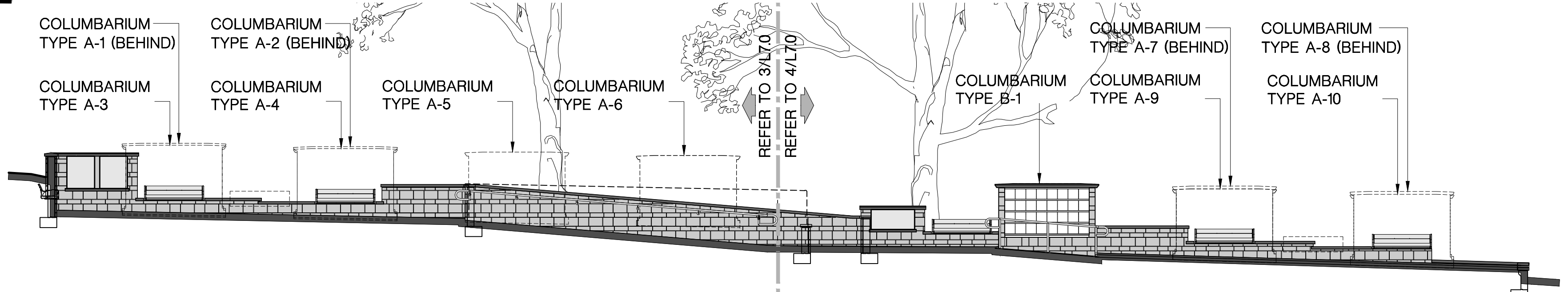
Project No./No. du projet  
**R.080256.003.**  
 Sheet/Feuille  
**L6.2**  
**13 OF 33**  
 Revision no./  
 La Révision no.  
**12**

Z:\Active Clients\Public Works and Government Services Canada\16-854 God's Acre Veterans Cemetery Esquimalt\6\_CAD\Working Drawings\CD Set\16-854\_EVC Exp\_L7.0 to L7.4\_1\_Sections of Plaza.dwg



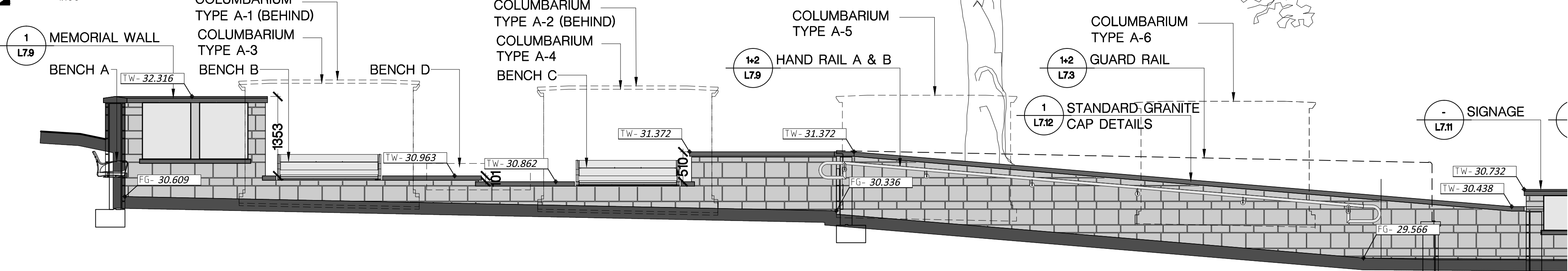
1 PLAZA SECTION LOCATION PLAN

L7.0 SCALE: 1:100



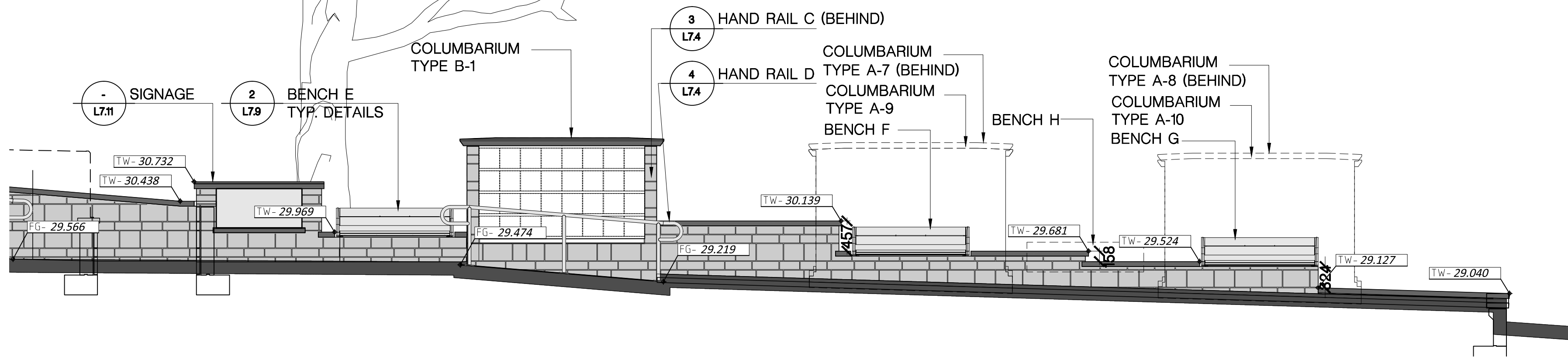
2 PLAZA SECTION ELEVATION A

L7.0 SCALE: 1:100



3 PLAZA SECTION ELEVATION A ENLARGEMENT I

L7.0 SCALE: 1:50



4 PLAZA SECTION ELEVATION A ENLARGEMENT II

L7.0 SCALE: 1:50

COLUMBARIA SHOWN ARE FOR REFERENCE ONLY, NOT INCLUDED IN THIS CONTRACT

12	100% CONSTRUCTION DRAWINGS	16/12/15
11	100% CONSTRUCTION DRAWINGS	16/11/28
10	100% CONSTRUCTION DRAWINGS	16/11/18
9	100% CONSTRUCTION DRAWINGS	16/11/04
8	100% CONSTRUCTION DRAWINGS	16/10/12
7	100% CONSTRUCTION DRAWINGS ISSUED FOR REVIEW	16/09/23
6	99% CONSTRUCTION DRAWINGS ISSUED FOR REVIEW	16/09/07
5	99% CONSTRUCTION DRAWINGS ISSUED FOR REVIEW	16/08/05
4	99% CONSTRUCTION DRAWINGS ISSUED FOR REVIEW	16/07/04
3	99% CONSTRUCTION DRAWINGS ISSUED FOR REVIEW	16/06/24
2	66% CONSTRUCTION DRAWINGS ISSUED FOR REVIEW	16/06/09
1	33% CONSTRUCTION DRAWINGS ISSUED FOR REVIEW	16/06/01

Revision/Revision	Description/Description	Date/Date

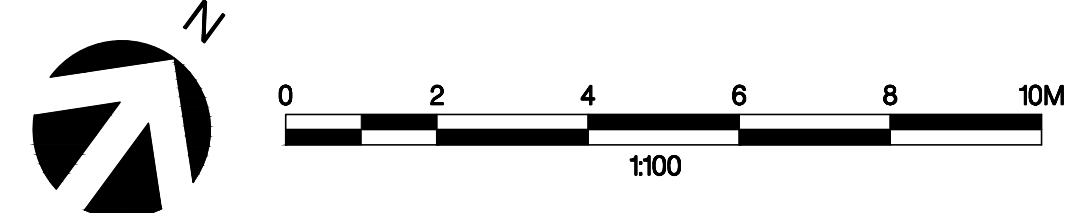
Client/client: Veterans Affairs Canada / Anciens Combattants Canada

Project title/Titre du projet: **ESQUIMALT, B.C. VETERANS DRIVE ESQUIMALT VETERANS CEMETERY EXPANSION**

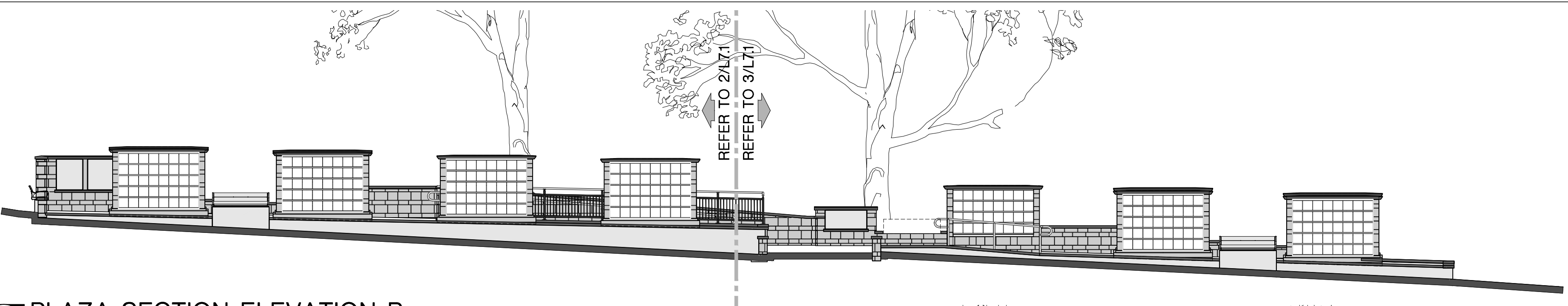
Consultant Signature Box Only  
 Designed by/Concept par: **LEES + ASSOCIATES**  
 Drawn by/Dessiné par: **LEES + ASSOCIATES / DATE (2016.12.15)**  
 PWGSC Project Manager/Administrateur de Projets TPSGC: **REZA HAGHIGHI**  
 PWGSC Regional Manager, Architectural and Engineering Services/Gestionnaire régionale, Services d'architecture et de génie, TPSGC: **REZA HAGHIGHI**

Drawing title/Titre du dessin: **PLAZA SECTIONS**

Project No./No. du projet: **R.080256.003.** Sheet/Feuille: **L7.0** Revision no./La Révision no.: **12**  
**14 OF 33**

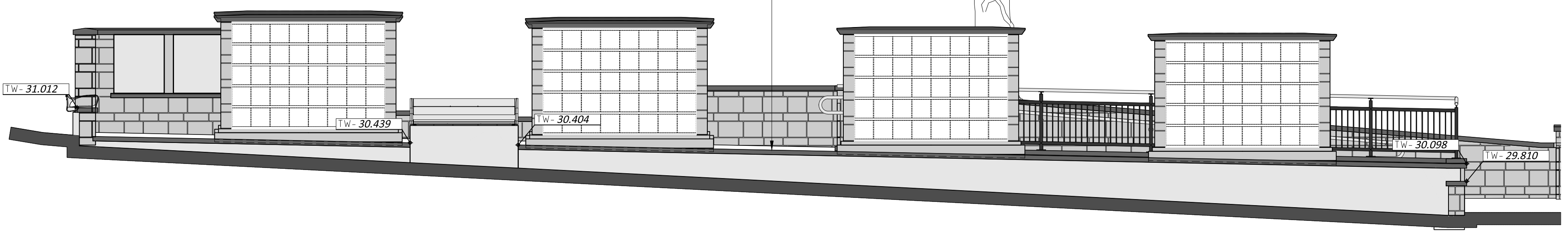


Z:\Active Clients\Public Works and Government Services Canada\16-854 God's Acre Veterans Cemetery Esquimalt\CAD\Working Drawings\CD Set\16-854\_EVC Exp\_L7.0 to L7.4\_Sections of Plaza.dwg

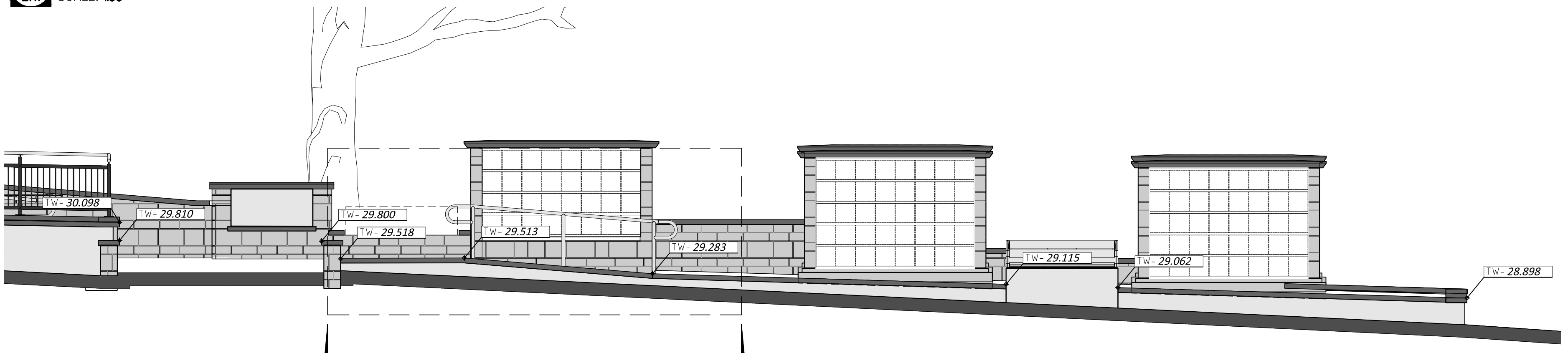


**1 PLAZA SECTION ELEVATION B**  
L7.1 SCALE: 1:100

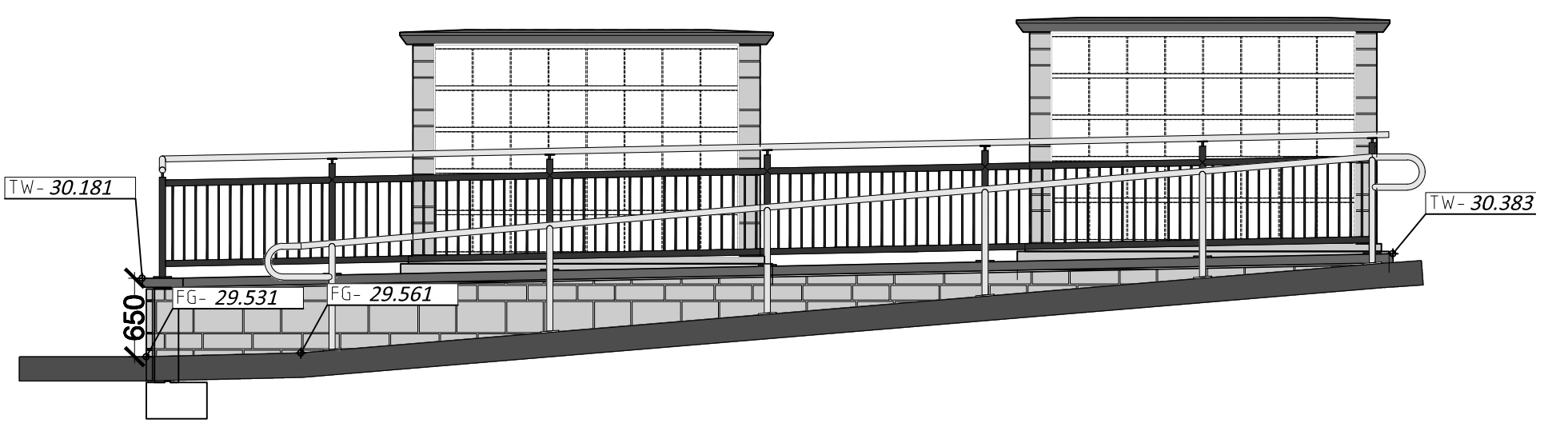
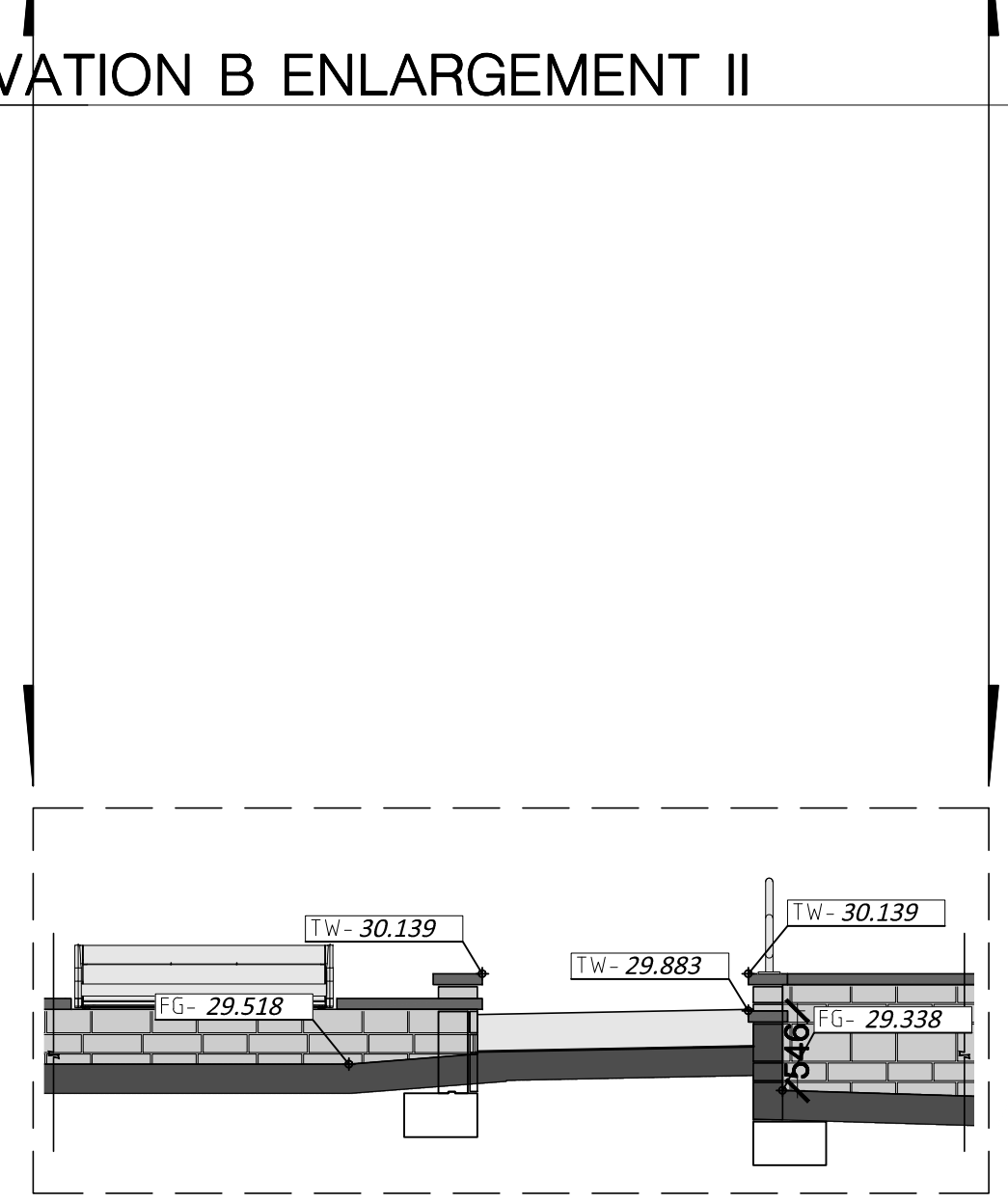
**1 STANDARD GRANITE CAP DETAILS**  
L7.12



**2 PLAZA SECTION ELEVATION B ENLARGEMENT I**  
L7.1 SCALE: 150

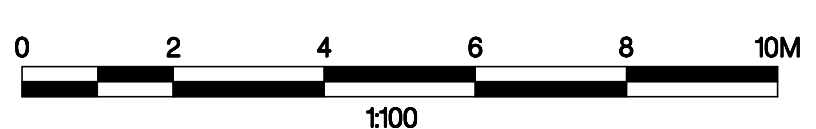


**3 PLAZA SECTION ELEVATION B ENLARGEMENT II**  
L7.1 SCALE: 150



**4 PLAZA SECTION ELEVATION C**  
L7.1 SCALE: 150

**5 PLAZA SECTION ELEVATION D**  
L7.1 SCALE: 150



**COLUMBARIA SHOWN ARE FOR REFERENCE ONLY, NOT INCLUDED IN THIS CONTRACT**

12	100% CONSTRUCTION DRAWINGS	16/12/15
11	100% CONSTRUCTION DRAWINGS	16/11/28
10	100% CONSTRUCTION DRAWINGS	16/11/18
9	100% CONSTRUCTION DRAWINGS	16/11/04
8	100% CONSTRUCTION DRAWINGS	16/10/12
7	100% CONSTRUCTION DRAWINGS ISSUED FOR REVIEW	16/09/23
6	99% CONSTRUCTION DRAWINGS ISSUED FOR REVIEW	16/09/07
5	99% CONSTRUCTION DRAWINGS ISSUED FOR REVIEW	16/08/05
4	99% CONSTRUCTION DRAWINGS ISSUED FOR REVIEW	16/07/04
3	99% CONSTRUCTION DRAWINGS ISSUED FOR REVIEW	16/06/24
2	66% CONSTRUCTION DRAWINGS ISSUED FOR REVIEW	16/06/09
1	33% CONSTRUCTION DRAWINGS ISSUED FOR REVIEW	16/06/01

Revision/Revision	Description/Description	Date/Date
-------------------	-------------------------	-----------

Client/client  
**Veterans Affairs Canada / Anciens Combattants Canada**

Project title/Titre du projet  
**ESQUIMALT, B.C. VETERANS DRIVE**  
**ESQUIMALT VETERANS CEMETERY EXPANSION**

Consultant Signature Box Only

Designed by/Concept par  
**LEES + ASSOCIATES**

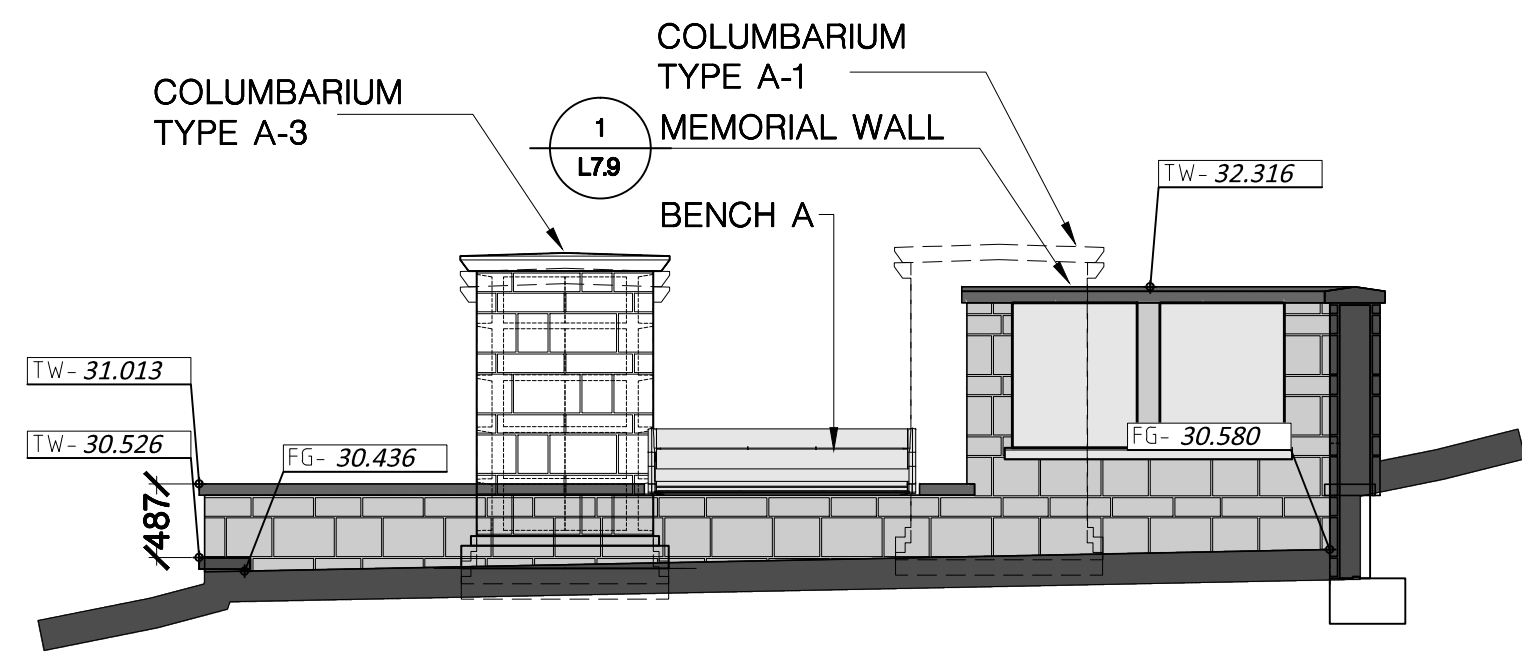
Drawn by/Dessiné par  
**LEES + ASSOCIATES / DATE (2016.12.15)**

PWGSC Project Manager/Administrateur de Projets TPSGC  
**REZA HAGHIGHI**

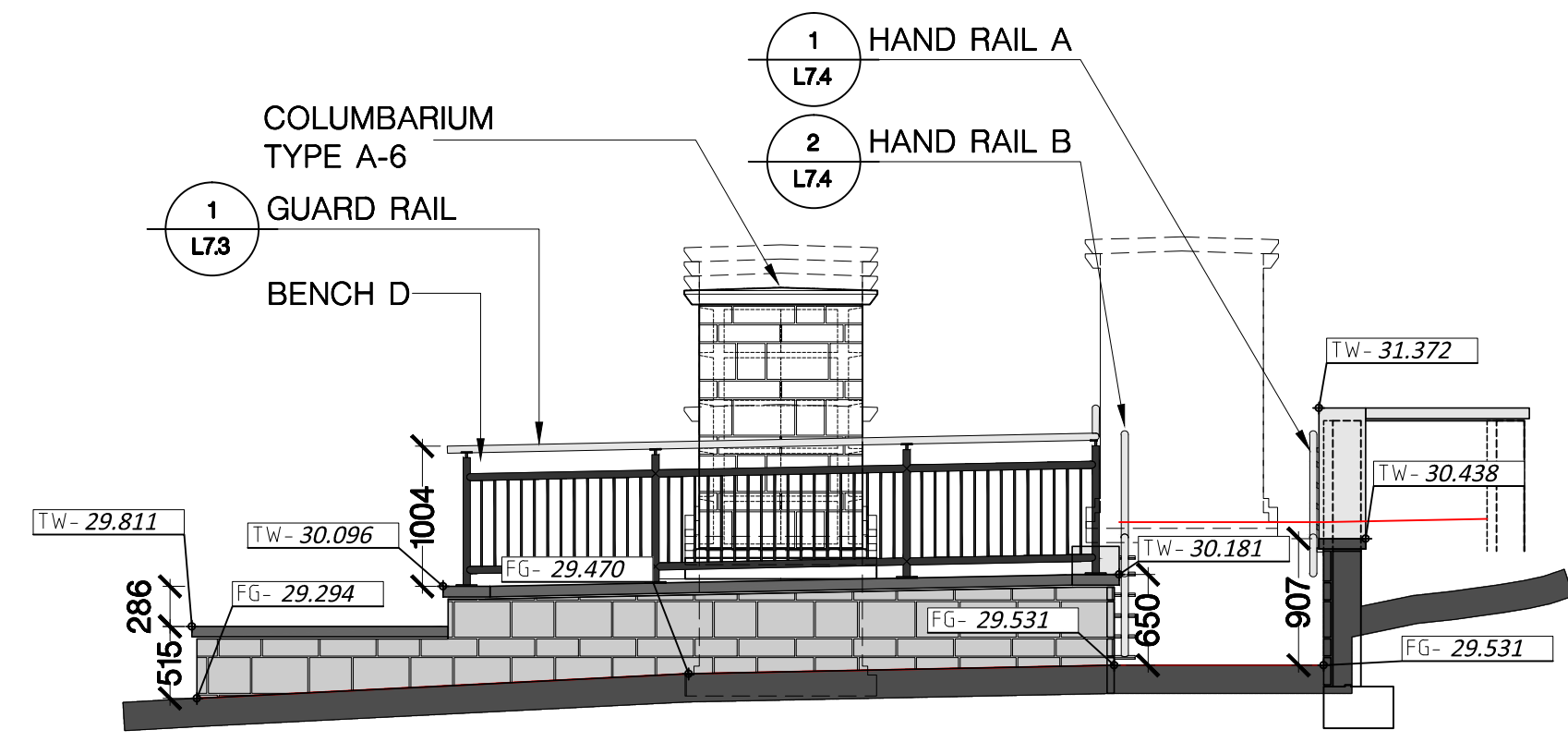
PWGSC, Regional Manager, Architectural and Engineering Services/Gestionnaire régionale, Services d'architecture et de génie, TPSGC

Drawing title/Titre du dessin  
**PLAZA SECTIONS**

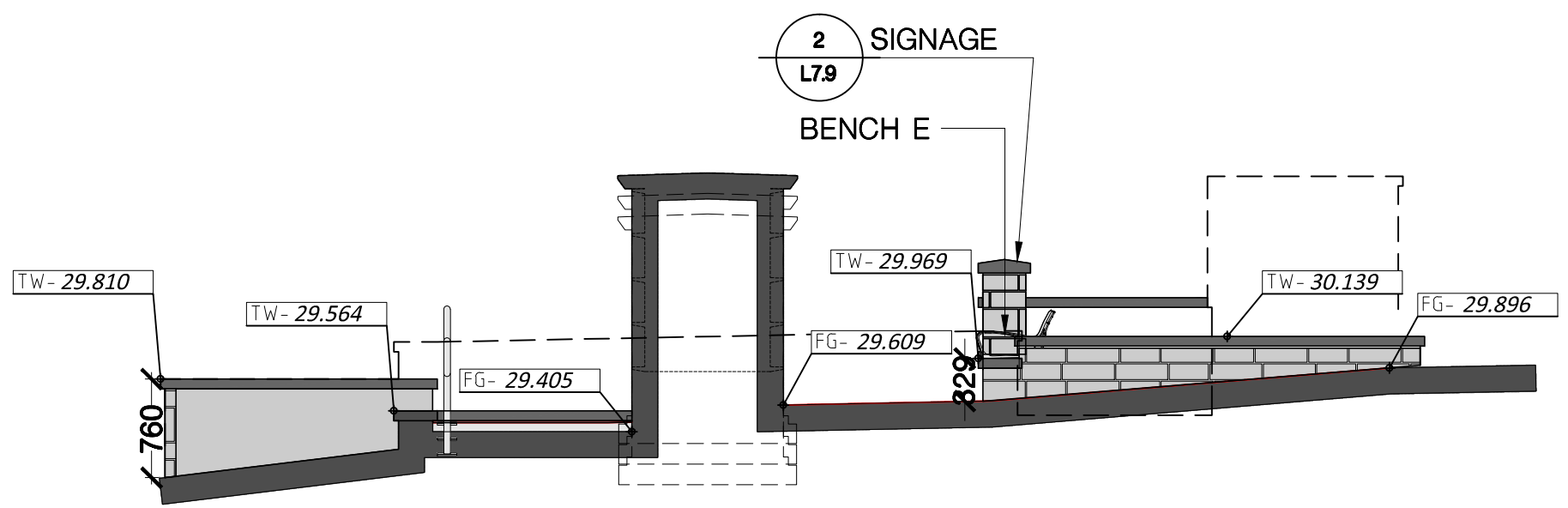
Z:\Active Clients\Public Works and Government Services Canada\16-854 God's Acre Veterans Cemetery Esquimalt\6\_CAD\Working Drawings\CD Set\16-854\_EVC Exp\_L7.0 to L7.4\_Sections of Plaza.dwg



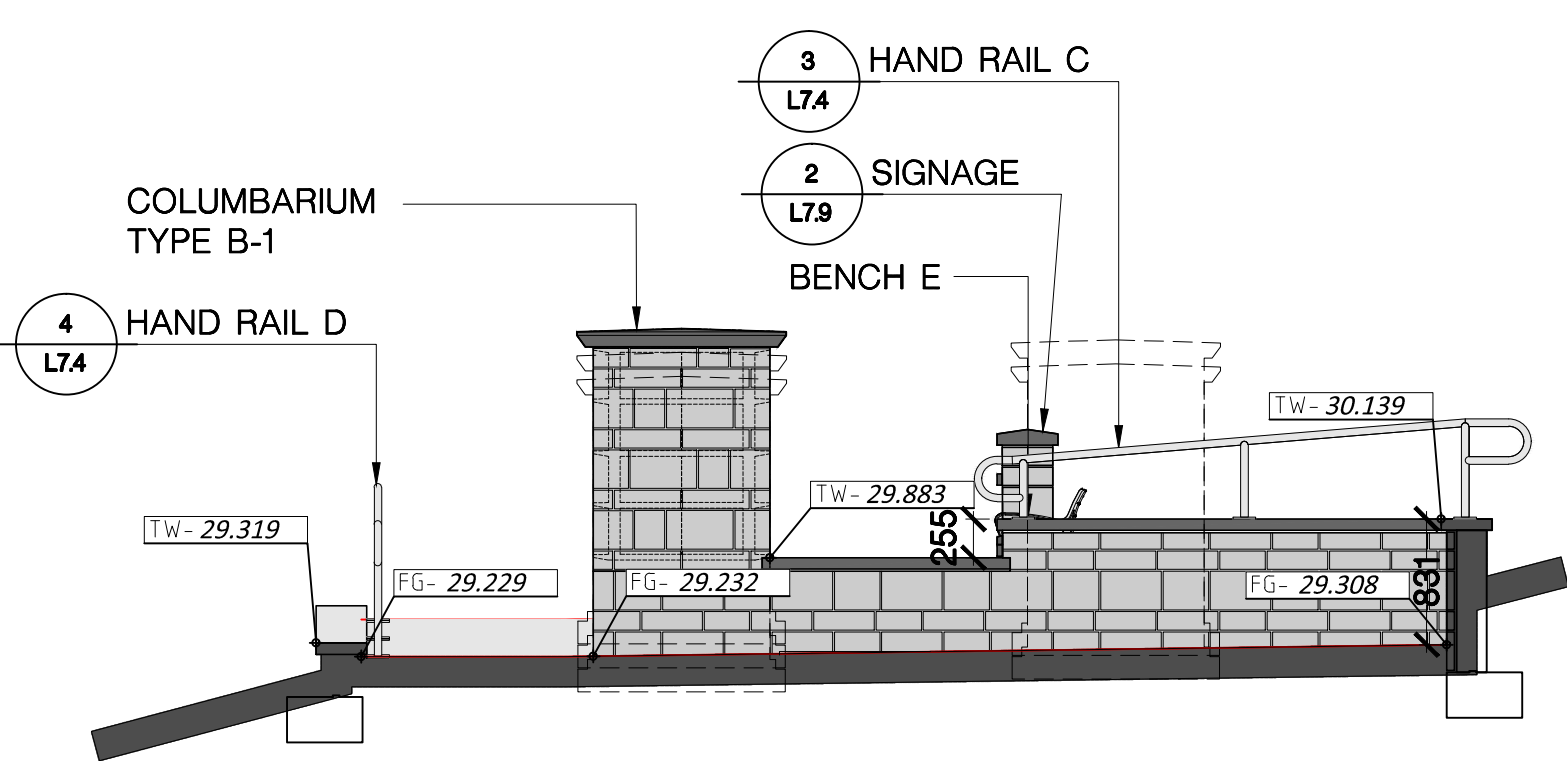
**1** PLAZA SECTION ELEVATION E  
L7.2 SCALE: 150



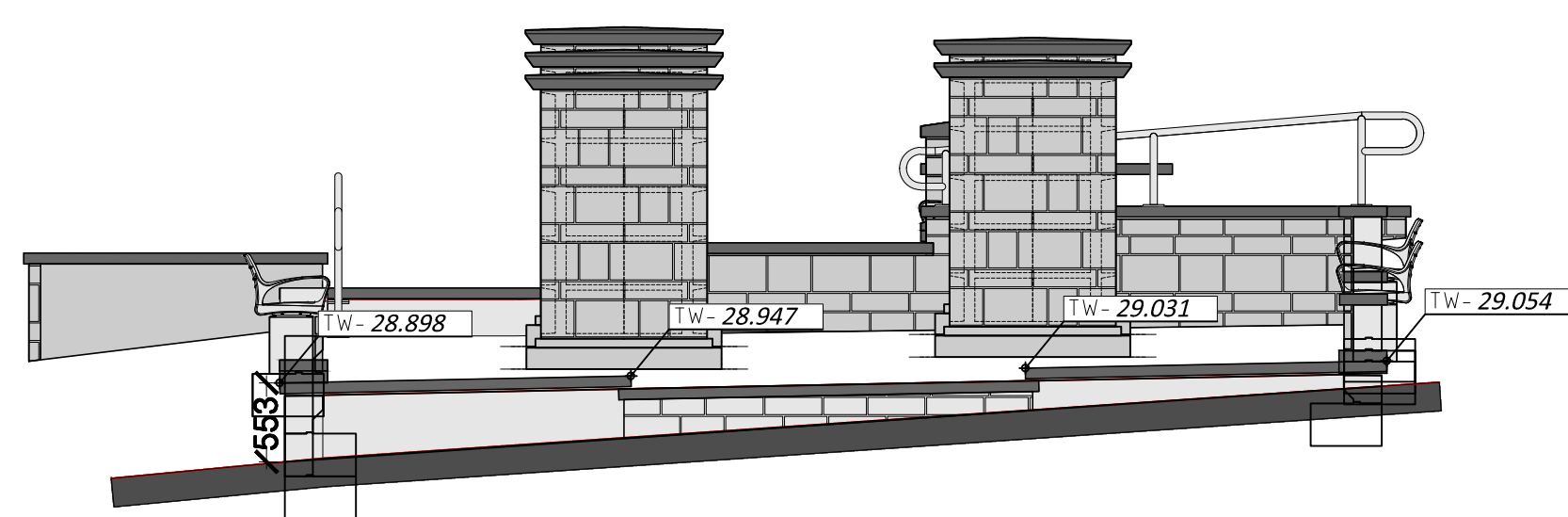
**2** PLAZA SECTION ELEVATION F  
L7.2 SCALE: 150



**3** PLAZA SECTION ELEVATION G  
L7.2 SCALE: 150



**4** PLAZA SECTION ELEVATION H  
L7.2 SCALE: 150



**5** PLAZA SECTION ELEVATION I  
L7.2 SCALE: 150



COLUMBARIA SHOWN ARE FOR REFERENCE ONLY, NOT INCLUDED IN THIS CONTRACT

Revision/Revision	Description/Description	Date/Date
12	100% CONSTRUCTION DRAWINGS	16/12/15
11	100% CONSTRUCTION DRAWINGS	16/11/28
10	100% CONSTRUCTION DRAWINGS	16/11/18
9	100% CONSTRUCTION DRAWINGS	16/11/04
8	100% CONSTRUCTION DRAWINGS	16/10/12
7	100% CONSTRUCTION DRAWINGS ISSUED FOR REVIEW	16/09/23
6	99% CONSTRUCTION DRAWINGS ISSUED FOR REVIEW	16/09/07
5	99% CONSTRUCTION DRAWINGS ISSUED FOR REVIEW	16/08/05
4	99% CONSTRUCTION DRAWINGS ISSUED FOR REVIEW	16/07/04
3	99% CONSTRUCTION DRAWINGS ISSUED FOR REVIEW	16/06/24
2	66% CONSTRUCTION DRAWINGS ISSUED FOR REVIEW	16/06/09
1	33% CONSTRUCTION DRAWINGS ISSUED FOR REVIEW	16/06/01

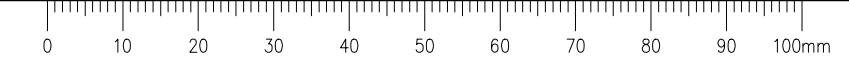
Client/client: Veterans Affairs Canada / Anciens Combattants Canada

Project title/Titre du projet: **ESQUIMALT, B.C. VETERANS DRIVE ESQUIMALT VETERANS CEMETERY EXPANSION**

Designed by/Concept par: **LEES + ASSOCIATES**  
 Drawn by/Dessiné par: **LEES + ASSOCIATES / DATE (2016.12.15)**  
 PWGSC Project Manager/Administrateur de Projets TPSGC: **REZA HAGHIGHI**  
 PWGSC Regional Manager, Architectural and Engineering Services/Gestionnaire régionale, Services d'architecture et de génie, TPSGC:

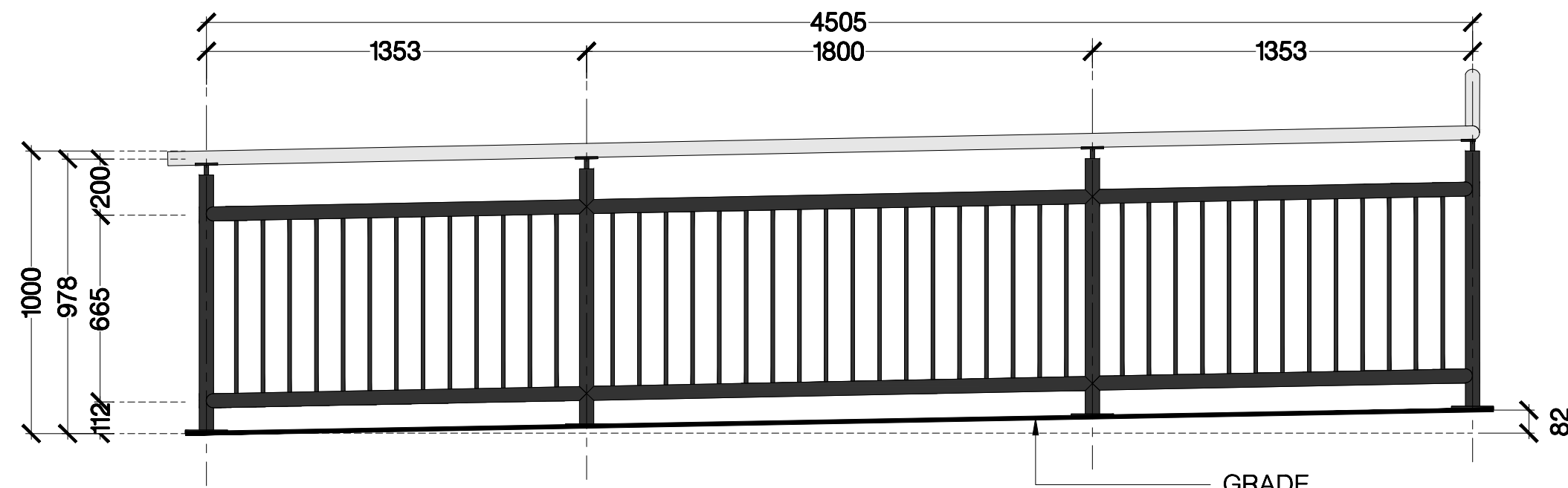
Drawing title/Titre du dessin: **PLAZA SECTIONS**

Project No./No. du projet: **R.080256.003.** Sheet/Fauille: **L7.2** Revision no./La Révision no.: **12**  
**16 OF 33**





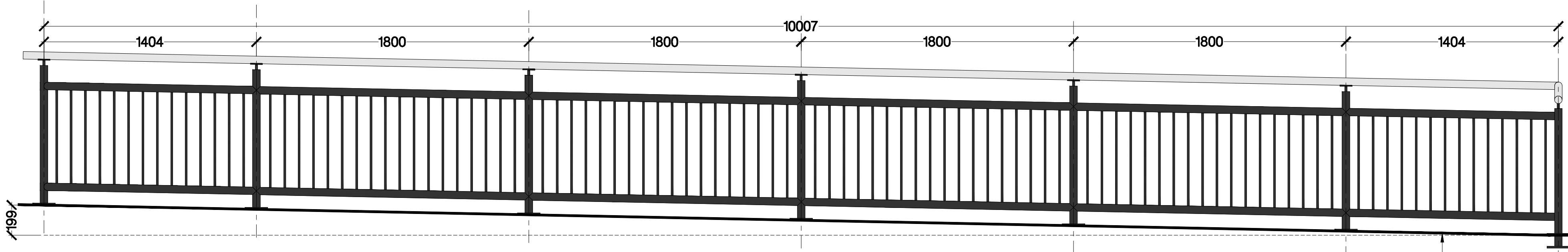
Z:\Active Clients\Public Works and Government Services Canada\16-854 God's Acre Veterans Cemetery Esquimalt\6\_CAD\Working Drawings\CD Set\16-854\_EVC Exp\_L7.0 to L7.4.1\_Sections of Plaza.dwg



**1** GUARD RAIL - ELEVATION I

L7.3 SCALE: 120

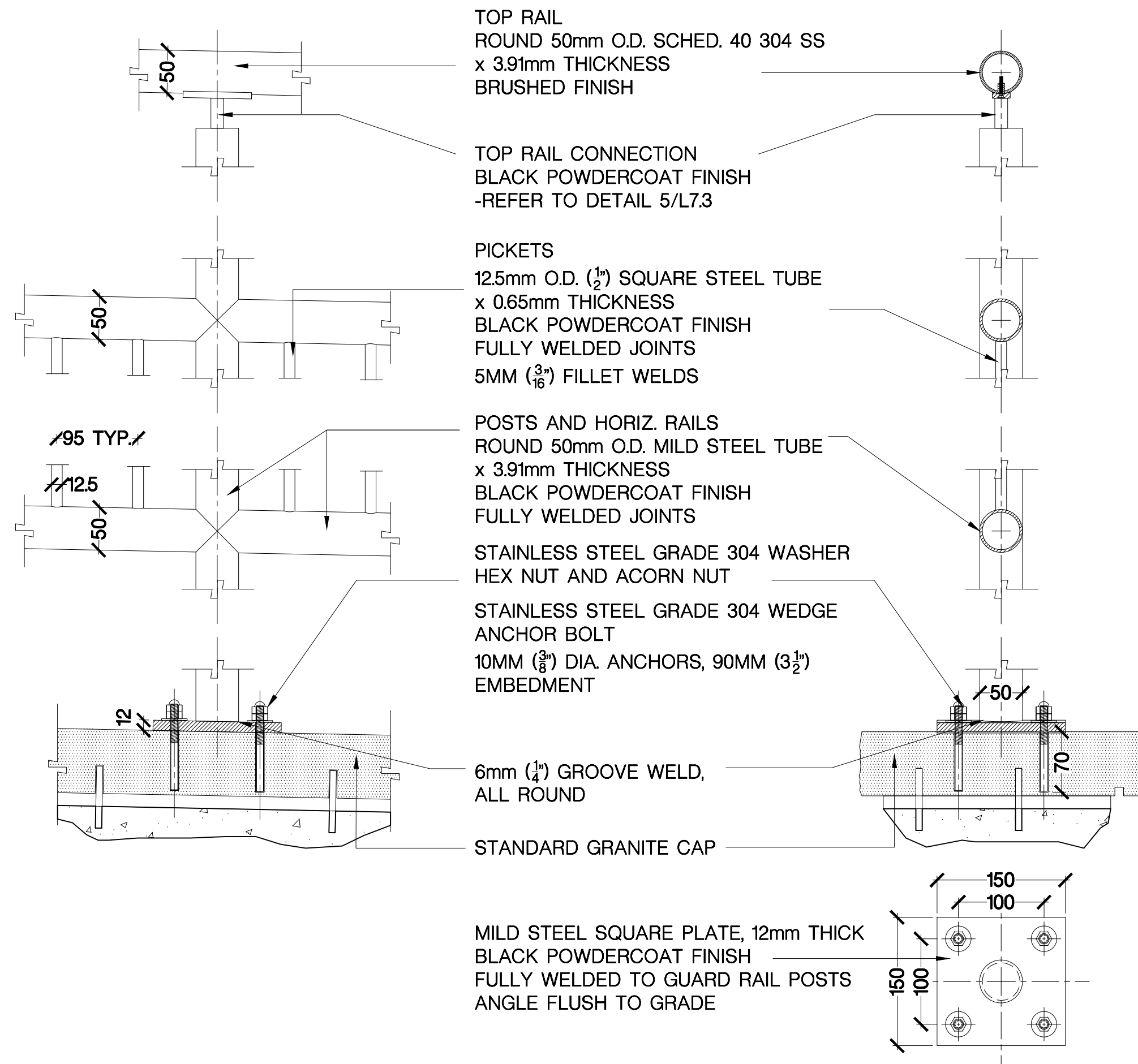
GRADE  
- GUARD RAIL SURFACE MOUNTED TO  
STANDARD GRANITE COPE  
- REFER TO DETAIL 3/L7.3



**2** GUARD RAIL - ELEVATION II

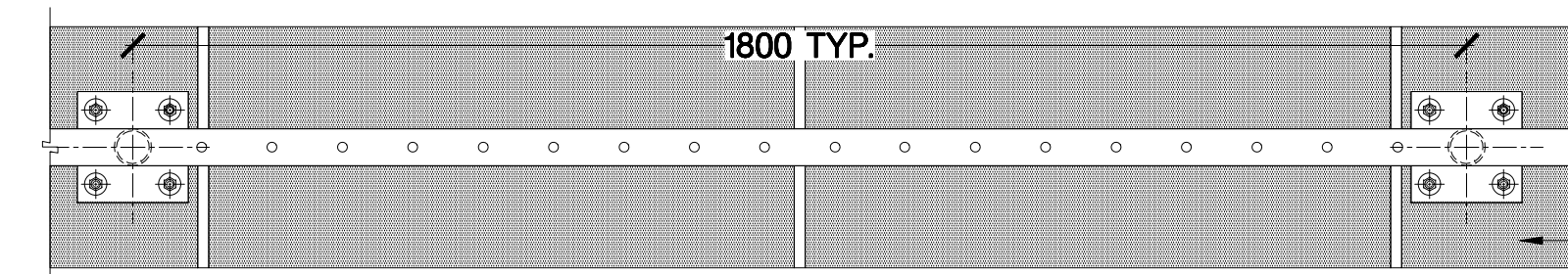
L7.3 SCALE: 120

GRADE  
- GUARD RAIL SURFACE MOUNTED TO  
STANDARD GRANITE COPE  
- REFER TO DETAIL 3/L7.3



**3** GUARD RAIL - TYPICAL SECTION DETAILS

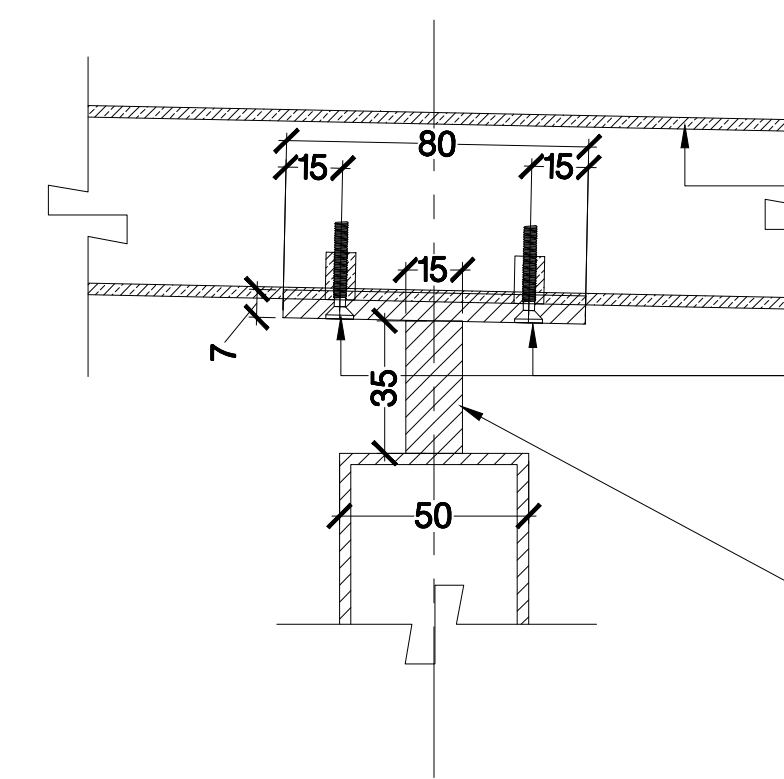
L7.3 SCALE: 15



**4** GUARD RAIL - TYPICAL PLAN

L9.5 SCALE: 110

STANDARD GRANITE CAP  
-REFER TO DETAIL 1/L7.12



**5** GUARD RAIL - TOP RAIL CONNECTION

L7.3 SCALE: 12

TOP RAIL  
ROUND 50mm O.D. SCHED. 40 304 SS  
x 4.8mm THICKNESS  
BRUSHED FINISH

(2) FLAT HEAD STAINLESS STEEL SCREWS  
304 GRADE 6.35mm x 50mm (1/4" X 2") FIXED TO WELDED  
NUT TO INSIDE OF TOP RAIL TUBING

TOP RAIL CONNECTION  
BLACK POWDERCOAT FINISH  
SOLID SECTION MILD STEEL TUBING  
15mm O.D. SCHEDULE 40  
FULLY WELDED JOINTS  
- PLATE TO TOP RAIL, INCLUDING (2) COUNTERSUNK  
HOLES FOR SCREWS, TO BE MACHINED MILD STEEL  
- SUBJECT TO SHOP DRAWING



COLUMBARIA SHOWN ARE FOR REFERENCE ONLY, NOT INCLUDED IN THIS CONTRACT

Revision/Revision	Description/Description	Date/Date
12	100% CONSTRUCTION DRAWINGS	16/12/15
11	100% CONSTRUCTION DRAWINGS	16/11/28
10	100% CONSTRUCTION DRAWINGS	16/11/18
9	100% CONSTRUCTION DRAWINGS	16/11/04
8	100% CONSTRUCTION DRAWINGS	16/10/12
7	100% CONSTRUCTION DRAWINGS ISSUED FOR REVIEW	16/09/23
6	99% CONSTRUCTION DRAWINGS ISSUED FOR REVIEW	16/09/07
5	99% CONSTRUCTION DRAWINGS ISSUED FOR REVIEW	16/08/05
4	99% CONSTRUCTION DRAWINGS ISSUED FOR REVIEW	16/07/04
3	99% CONSTRUCTION DRAWINGS ISSUED FOR REVIEW	16/06/24
2	66% CONSTRUCTION DRAWINGS ISSUED FOR REVIEW	16/06/09
1	33% CONSTRUCTION DRAWINGS ISSUED FOR REVIEW	16/06/01

Client/client

Veterans Affairs Canada / Anciens Combattants Canada

Project title/Titre du projet  
**ESQUIMALT, B.C. VETERANS DRIVE**  
**ESQUIMALT VETERANS CEMETERY EXPANSION**

Consultant Signature Box Only

Designed by/Concept par  
**LEES + ASSOCIATES**

Drawn by/Dessiné par  
**LEES + ASSOCIATES / DATE (2016.12.15)**

PWSC Project Manager/Administrateur de Projets TPSGC  
**REZA HAGHIGI**

PWSC, Regional Manager, Architectural and Engineering Services/  
Gestionnaire régionale, Services d'architecture et de génie, TPSGC

Drawing title/Titre du dessin  
**CONSTRUCTION DETAILS**  
**GUARD RAILS**

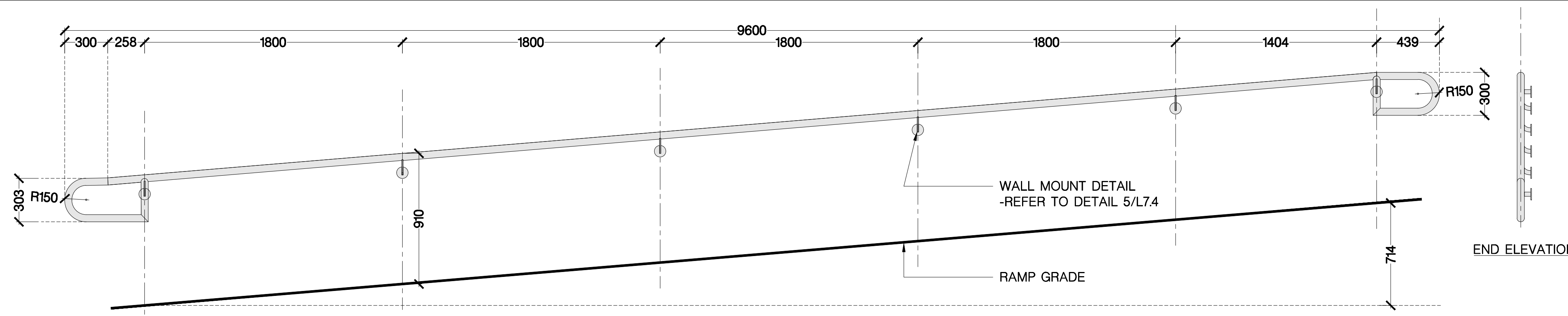
Project No./No. du projet  
**R.080256.003.**

Sheet/Feuille  
**L7.3**

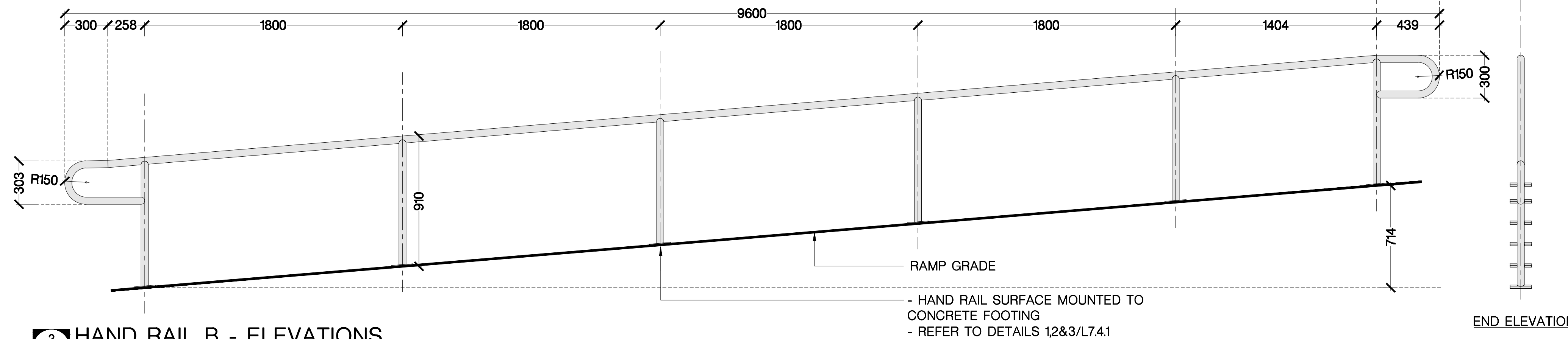
Revision no./La Révision no.  
**12**

**17 OF 33**

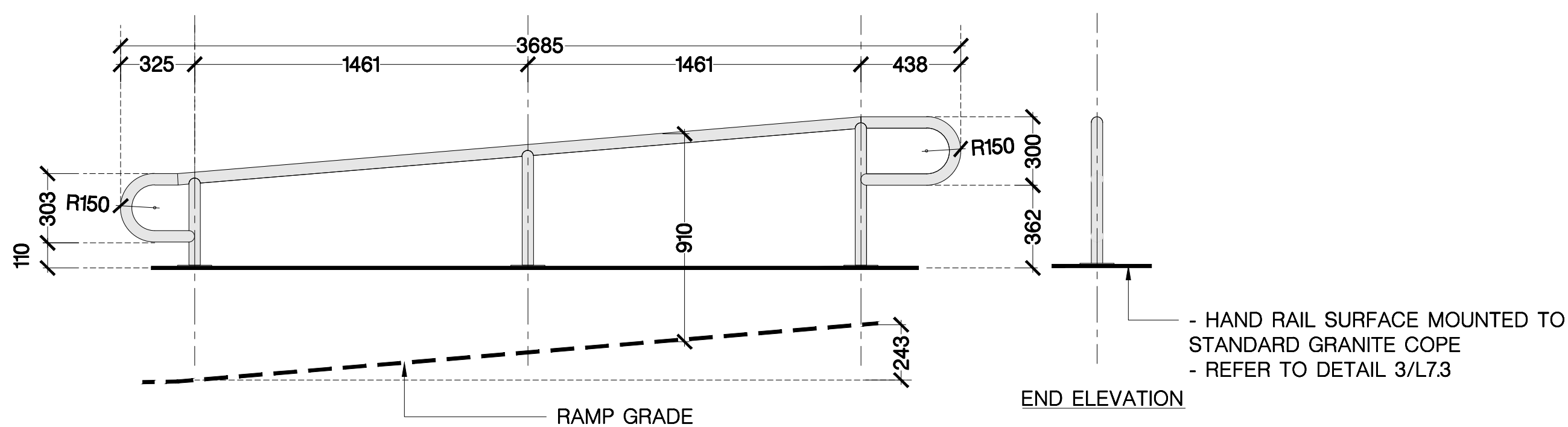
Z:\Active Clients\Public Works and Government Services Canada\16-854 God's Acre Veterans Cemetery Esquimalt\6\_CAD\Working Drawings\CD Set\16-854\_EVC Exp\_L7.0 to L7.4\_Sections of Plaza.dwg



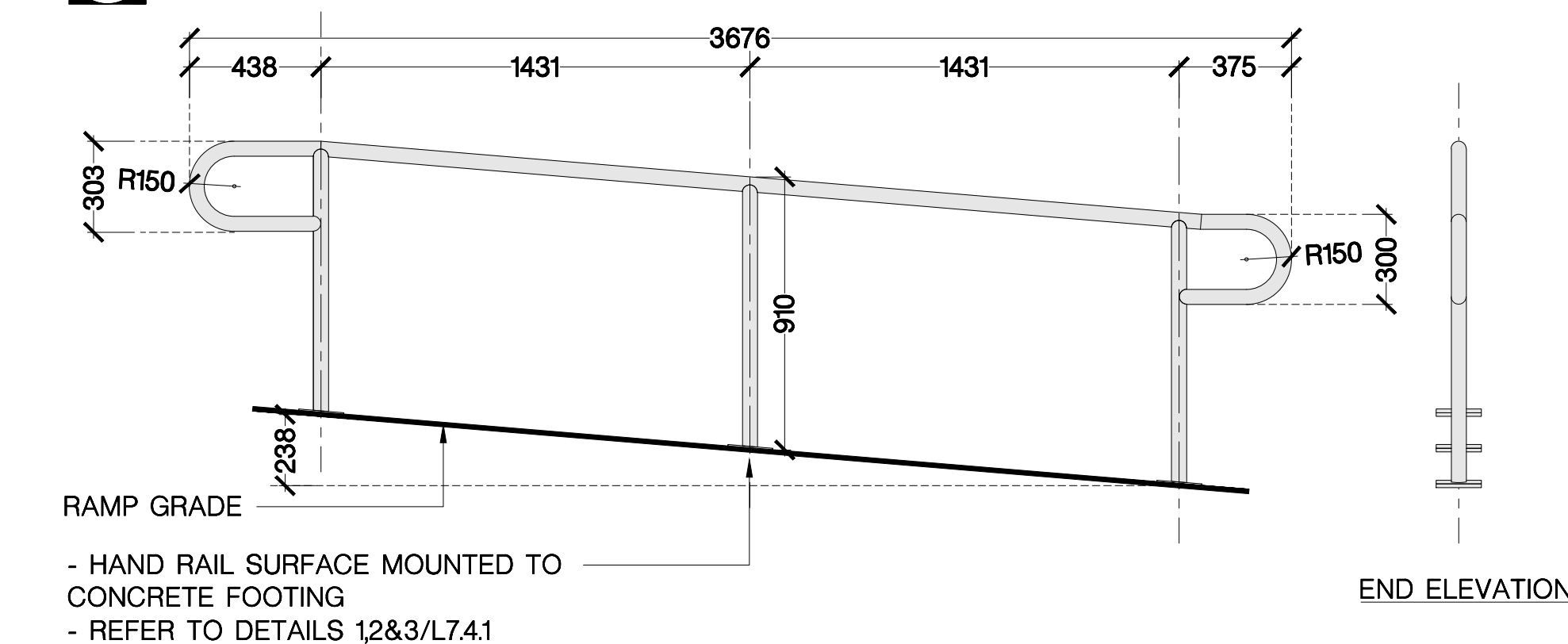
**1 HAND RAIL A - ELEVATIONS**  
L7.4 SCALE: 120



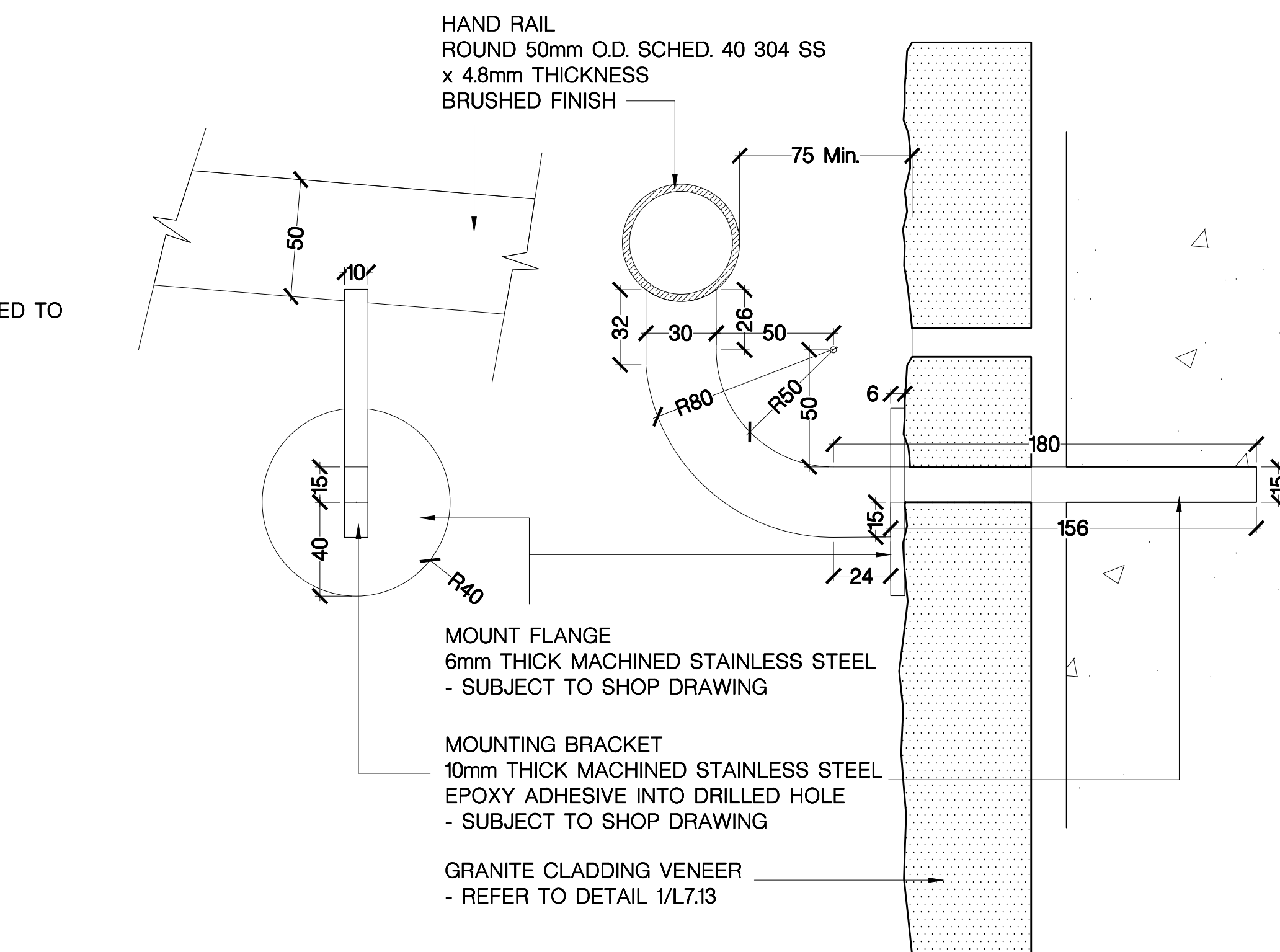
**2 HAND RAIL B - ELEVATIONS**  
L7.4 SCALE: 120



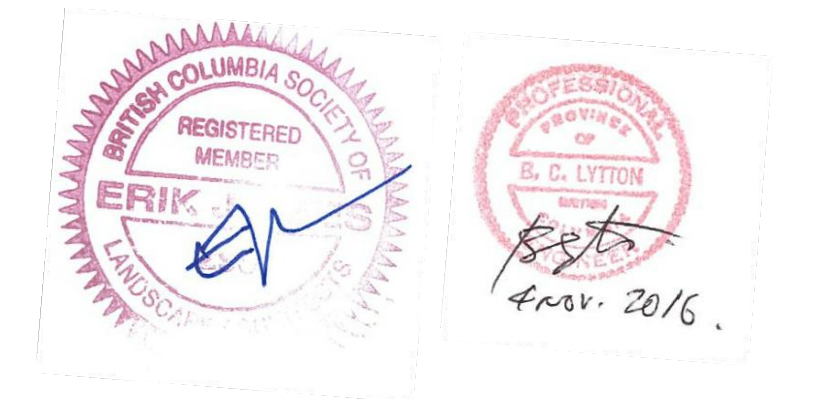
**3 HAND RAIL C - ELEVATIONS**  
L7.4 SCALE: 120



**4 HAND RAIL D - ELEVATIONS**  
L7.4 SCALE: 120



**5 HAND RAIL A - TYPICAL DETAILS**  
L9.4 SCALE: 12



COLUMBRIA SHOWN ARE FOR REFERENCE ONLY, NOT INCLUDED IN THIS CONTRACT

Revision/Revision	Description/Description	Date/Date
12	100% CONSTRUCTION DRAWINGS	16/12/15
11	100% CONSTRUCTION DRAWINGS	16/11/28
10	100% CONSTRUCTION DRAWINGS	16/11/18
9	100% CONSTRUCTION DRAWINGS	16/11/04
8	100% CONSTRUCTION DRAWINGS	16/10/12
7	100% CONSTRUCTION DRAWINGS ISSUED FOR REVIEW	16/09/23
6	99% CONSTRUCTION DRAWINGS ISSUED FOR REVIEW	16/09/07
5	99% CONSTRUCTION DRAWINGS ISSUED FOR REVIEW	16/08/05
4	99% CONSTRUCTION DRAWINGS ISSUED FOR REVIEW	16/07/04
3	99% CONSTRUCTION DRAWINGS ISSUED FOR REVIEW	16/06/24
2	66% CONSTRUCTION DRAWINGS ISSUED FOR REVIEW	16/06/09
1	33% CONSTRUCTION DRAWINGS ISSUED FOR REVIEW	16/06/01

Client/client

Veterans Affairs Canada / Anciens Combattants Canada

Project title/Titre du projet  
**ESQUIMALT, B.C. VETERANS DRIVE  
ESQUIMALT VETERANS CEMETERY EXPANSION**

Consultant Signature Box Only

Designed by/Concept par  
**LEES + ASSOCIATES**

Drawn by/Dessiné par  
**LEES + ASSOCIATES / DATE (2016.12.15)**

PWGSC Project Manager/Administrateur de Projets TPSGC  
**REZA HAGHIGHI**

PWGSC, Regional Manager, Architectural and Engineering Services/  
Gestionnaire régionale, Services d'architectural et de génie, TPSGC

Drawing title/Titre du dessin  
**CONSTRUCTION DETAILS  
HAND RAIL FOUNDATIONS**

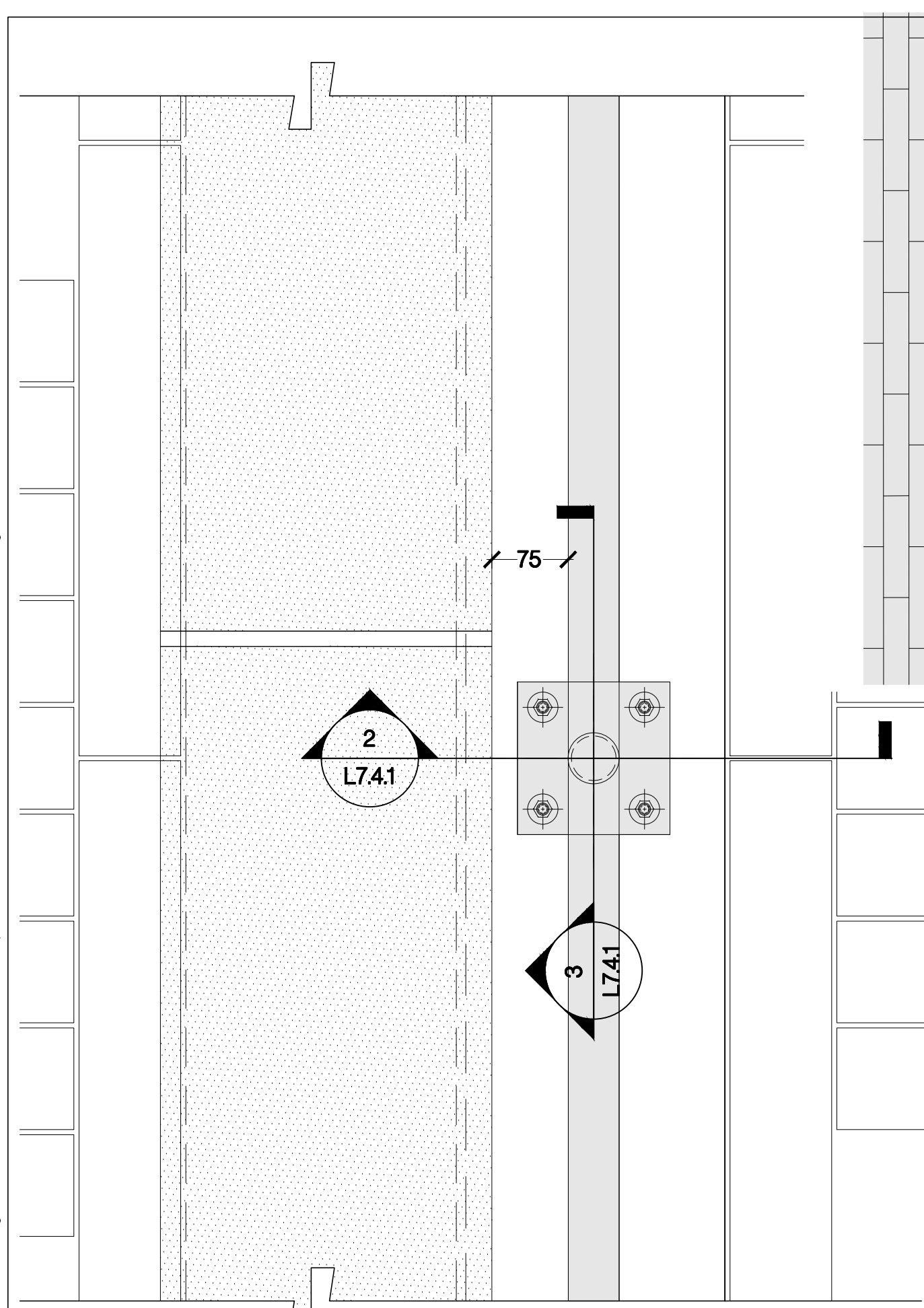
Project No./No. du projet  
**R.080256.003.**

Sheet/Feuille  
**L7.4**

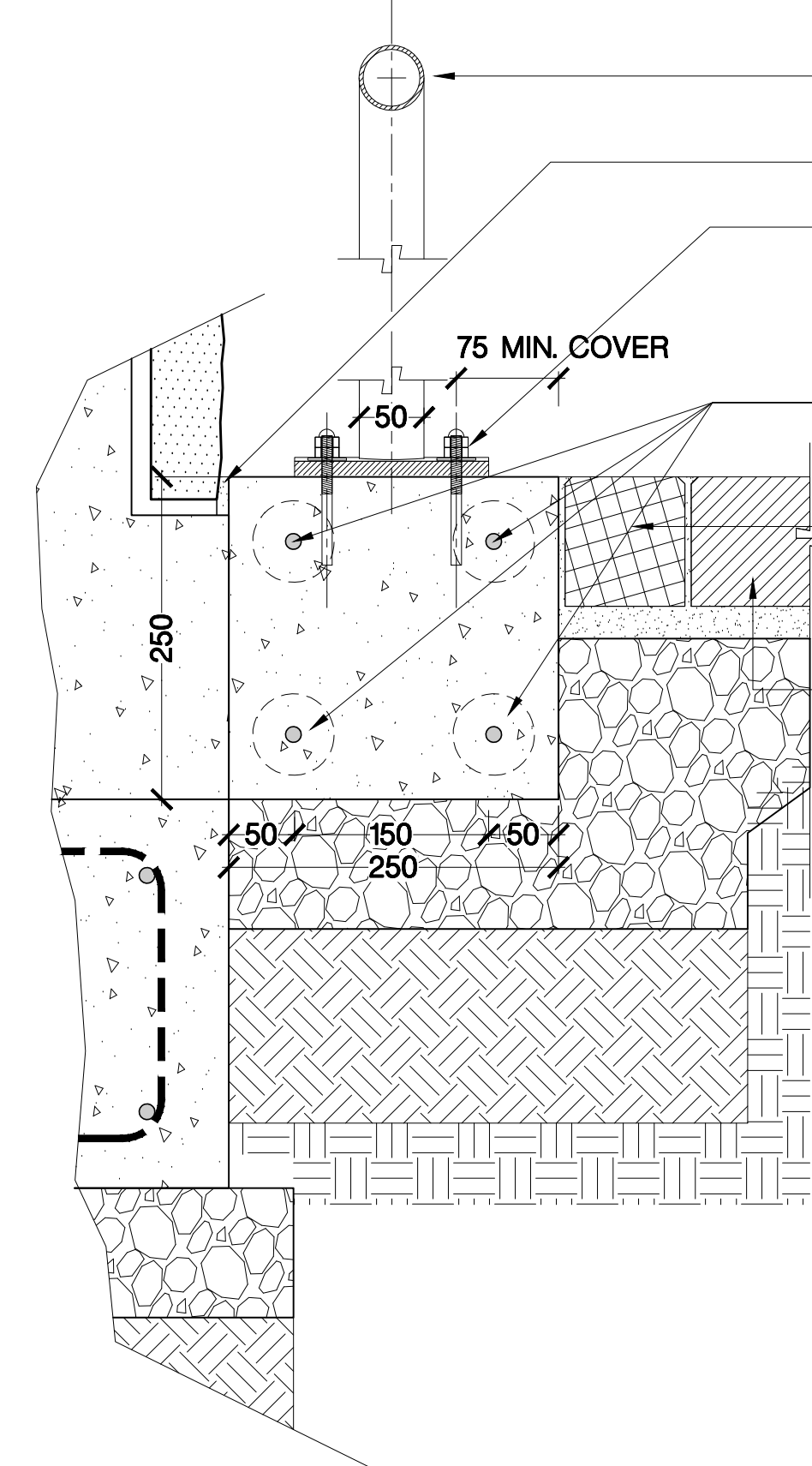
Revision no./La Révision no.  
**12**

**18 OF 33**

Z:\Active Clients\Public Works and Government Services Canada\16-854 God's Acre Veterans Cemetery Esquimalt\6\_CAD\Working Drawings\CD Set\16-854\_EVC\_Exp\_L7.0 to L7.4\_1\_Sections of Plaza.dwg



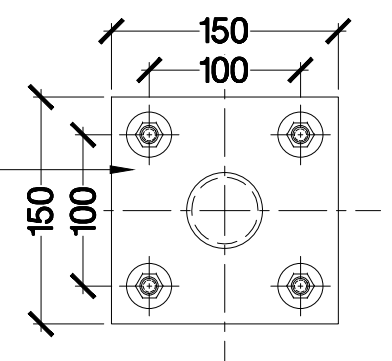
**1 HAND RAIL FOUNDATIONS - PLAN**  
SCALE: 15



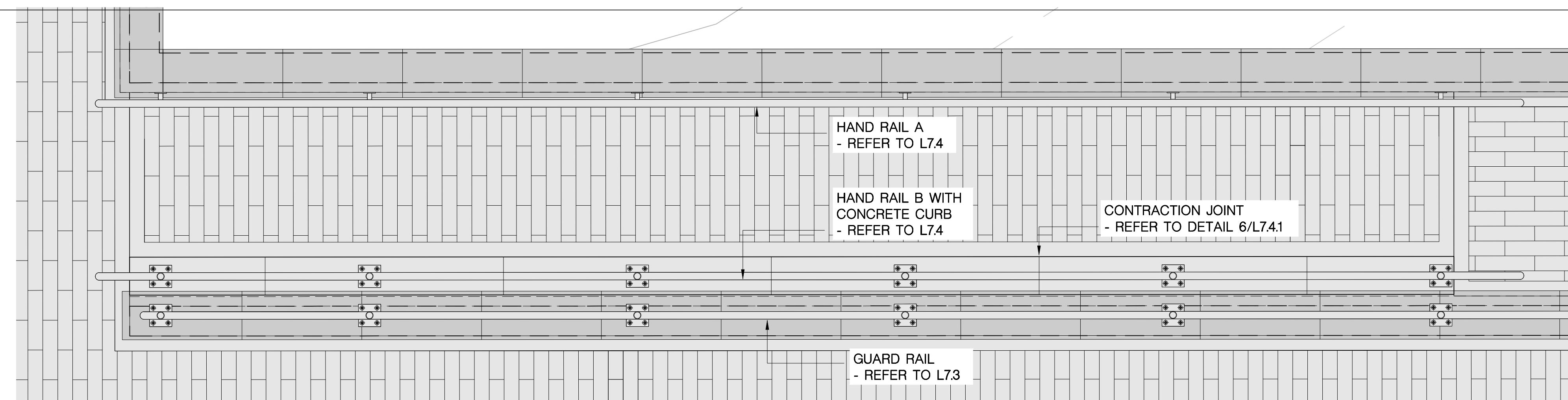
**2 HAND RAIL FOUNDATIONS - TYPICAL SECTION**  
SCALE: 15

- HAND RAIL STAINLESS STEEL GRADE 304 BRUSHED FINISH 50mm O.D. x 4.8mm WALL
- JOINTING SAND TO GAP
- STAINLESS STEEL GRADE 304 WEDGE ANCHOR BOLT
- 10MM (3/8") DIA. ANCHORS, 90MM (3 1/2") EMBEDMENT
- (4) 10M REBAR REINFORCEMENT
- TYPE 2 CONCRETE PAVER -REFER TO DETAIL 3/L7.6
- TYPE 1 CONCRETE PAVER -REFER TO DETAIL 3/L7.6
- STAINLESS STEEL GRADE 304 SQUARE PLATE, 12mm THICK BRUSHED FINISH FULLY WELDED TO HAND RAIL POSTS ANGLE FLUSH TO GRADE

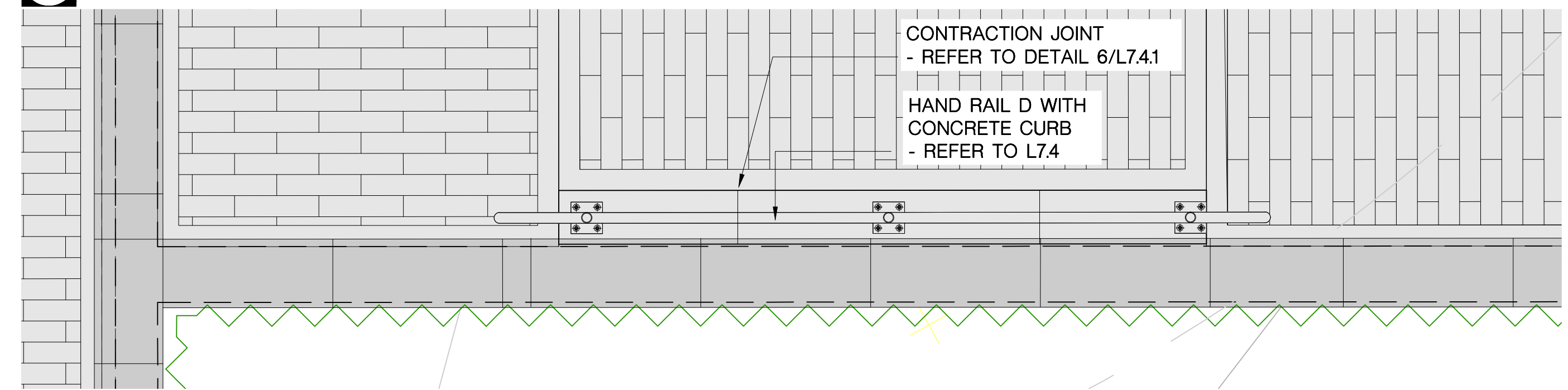
**3B HAND RAIL - BASE PLATE DETAILS**  
SCALE: 15



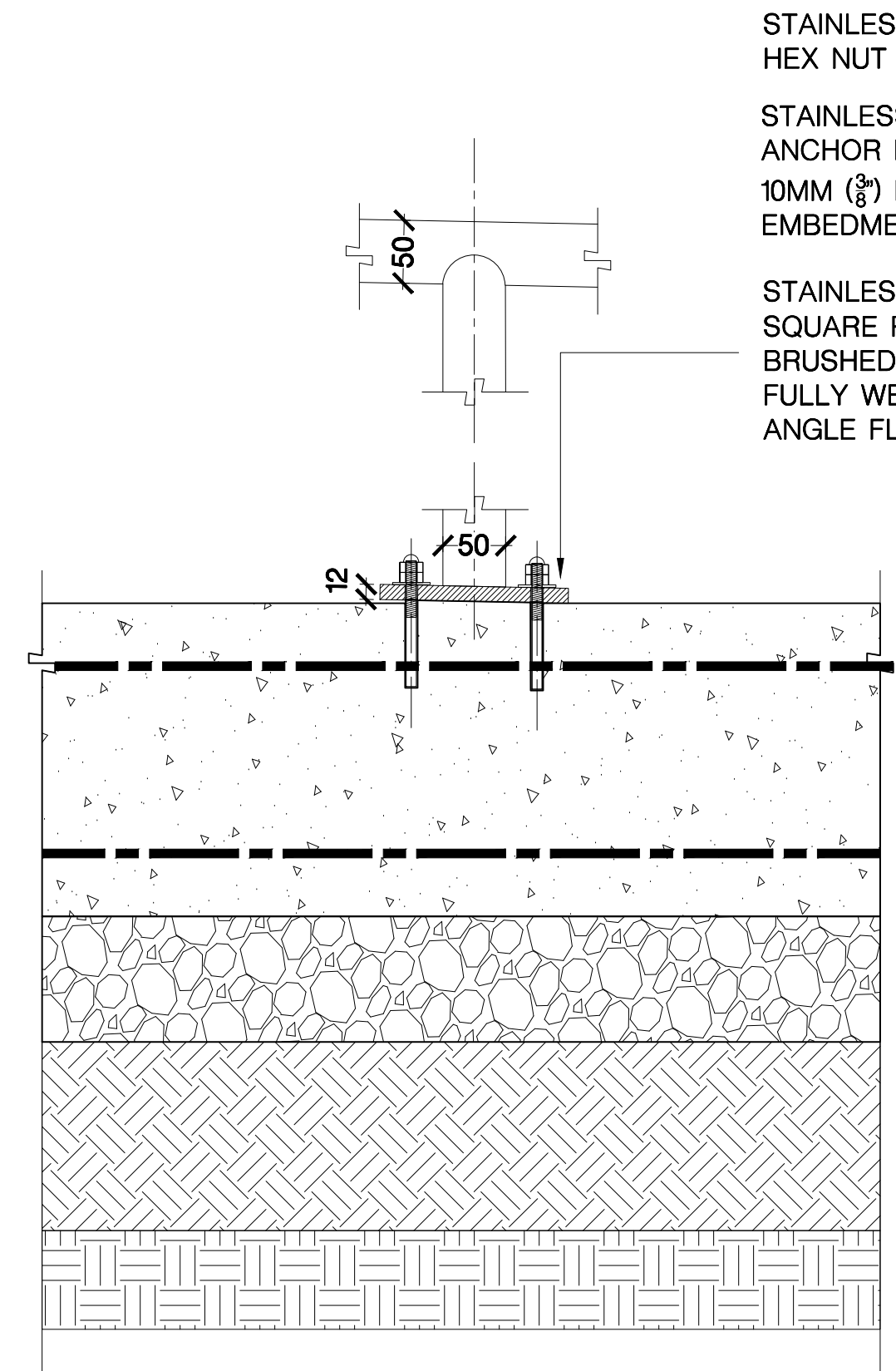
**3A HAND RAIL FOUNDATIONS - TYPICAL SECTION**  
SCALE: 15



**4 HAND RAIL B - PLAN VIEW**  
SCALE: 120



**5 HAND RAIL D - PLAN VIEW**  
SCALE: 120



**6 CONTROL JOINT - TYP. SECTION**  
SCALE: 15

- STAINLESS STEEL GRADE 304 WASHER HEX NUT AND ACORN NUT
- STAINLESS STEEL GRADE 304 WEDGE ANCHOR BOLT
- 10MM (3/8") DIA. ANCHORS, 90MM (3 1/2") EMBEDMENT
- STAINLESS STEEL GRADE 304 SQUARE PLATE, 12mm THICK BRUSHED FINISH FULLY WELDED TO HAND RAIL POSTS ANGLE FLUSH TO GRADE

CONTROL JOINT NOTES:  
- FORM JOINTS AT CENTRES BETWEEN VERTICAL POSTS

TOOLED EDGES, NO SHINERS

CONCRETE NOTES:  
- LIGHT SAND BLAST FINISH

COLUMBIA SHOWN ARE FOR REFERENCE ONLY, NOT INCLUDED IN THIS CONTRACT

Revision/Revision	Description/Description	Date/Date
12	100% CONSTRUCTION DRAWINGS	16/12/15
11	100% CONSTRUCTION DRAWINGS	16/11/28
10	100% CONSTRUCTION DRAWINGS	16/11/18
9	100% CONSTRUCTION DRAWINGS	16/11/04
8	100% CONSTRUCTION DRAWINGS	16/10/12
7	100% CONSTRUCTION DRAWINGS ISSUED FOR REVIEW	16/09/23
6	99% CONSTRUCTION DRAWINGS ISSUED FOR REVIEW	16/09/07
5	99% CONSTRUCTION DRAWINGS ISSUED FOR REVIEW	16/08/05
4	99% CONSTRUCTION DRAWINGS ISSUED FOR REVIEW	16/07/04
3	99% CONSTRUCTION DRAWINGS ISSUED FOR REVIEW	16/06/24
2	66% CONSTRUCTION DRAWINGS ISSUED FOR REVIEW	16/06/09
1	33% CONSTRUCTION DRAWINGS ISSUED FOR REVIEW	16/06/01

Client/client: Veterans Affairs Canada / Anciens Combattants Canada

Project title/Titre du projet: **ESQUIMALT, B.C. VETERANS DRIVE ESQUIMALT VETERANS CEMETERY EXPANSION**

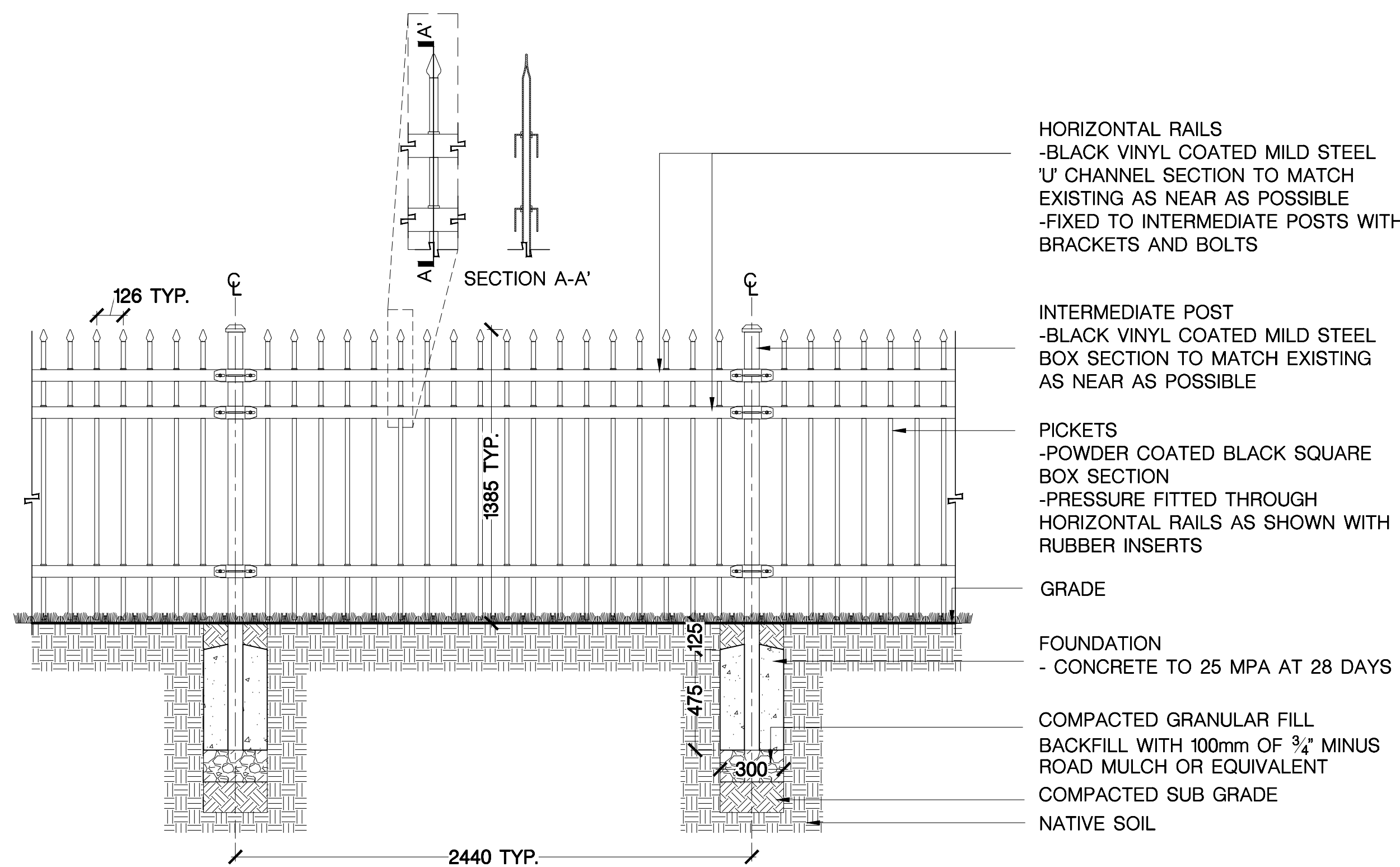
Designed by/Concept par: LEES + ASSOCIATES  
 Drawn by/Dessiné par: LEES + ASSOCIATES / DATE (2016.12.15)  
 PWGSC Project Manager/Administrateur de Projets TPSGC: REZA HAGHIGHI

PWGSC, Regional Manager, Architectural and Engineering Services / Gestionnaire régionale, Services d'architecture et de génie, TPSGC

Drawing title/Titre du dessin: **CONSTRUCTION DETAILS HAND RAIL FLUSH CURB**

Project No./No. du projet: R.080256.003  
 Sheet/Fauille: **L7.4.1**  
 Revision no./La Révision no.: 12  
 19 OF 33

Z:\Active Clients\Public Works and Government Services Canada\16-854 God's Acre Veterans Cemetery Esquimalt\CAD\Working Drawings\CD Set\16-854\_EVC\_Exp\_L7.5 to L7.19\_Construction\_Details.dwg



HORIZONTAL RAILS  
-BLACK VINYL COATED MILD STEEL 'U' CHANNEL SECTION TO MATCH EXISTING AS NEAR AS POSSIBLE  
-FIXED TO INTERMEDIATE POSTS WITH BRACKETS AND BOLTS

INTERMEDIATE POST  
-BLACK VINYL COATED MILD STEEL BOX SECTION TO MATCH EXISTING AS NEAR AS POSSIBLE

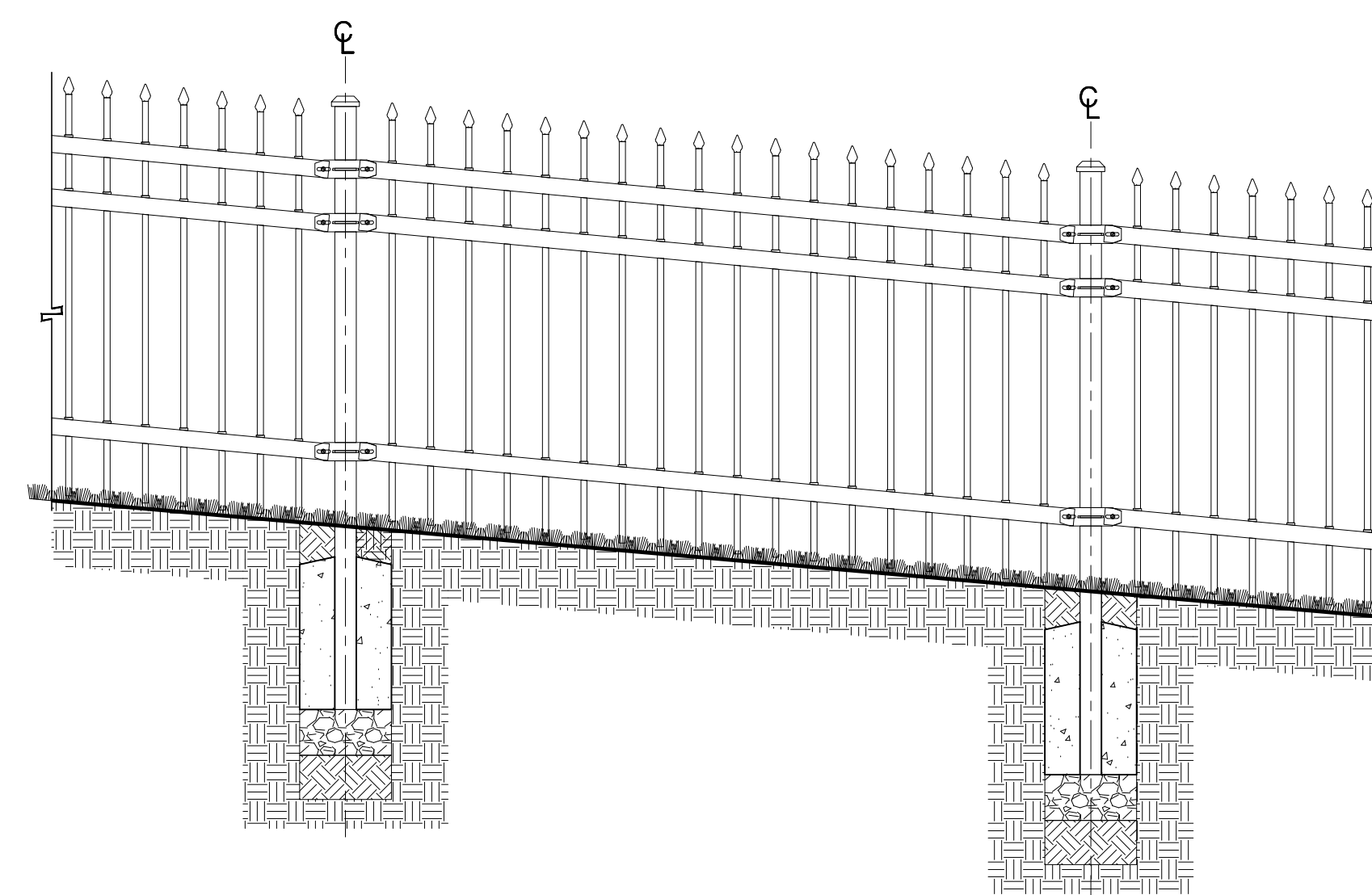
PICKETS  
-POWDER COATED BLACK SQUARE BOX SECTION  
-PRESSURE FITTED THROUGH HORIZONTAL RAILS AS SHOWN WITH RUBBER INSERTS

GRADE

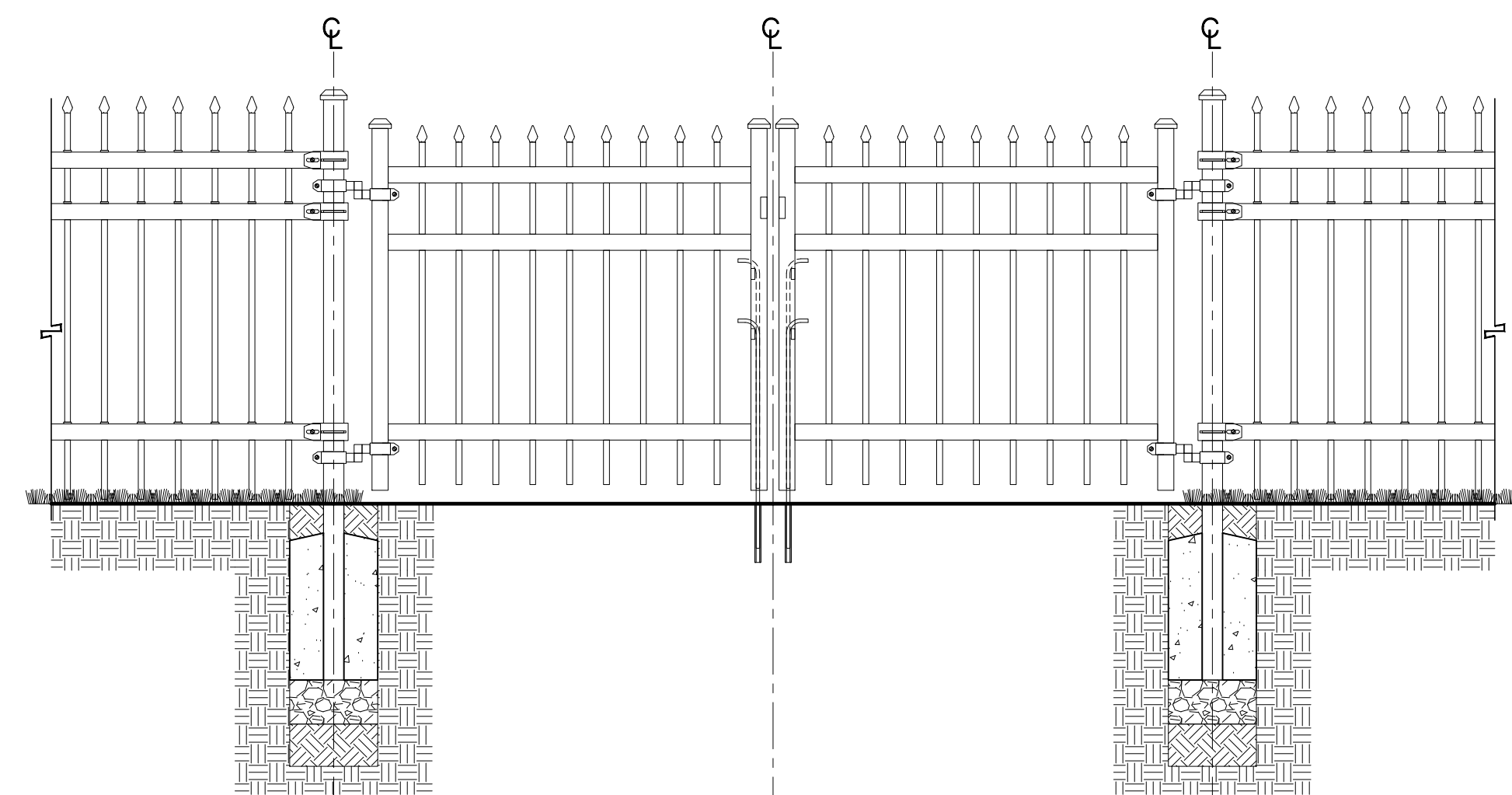
FOUNDATION  
- CONCRETE TO 25 MPA AT 28 DAYS

COMPACTED GRANULAR FILL BACKFILL WITH 100mm OF 3/4" MINUS ROAD MULCH OR EQUIVALENT  
COMPACTED SUB GRADE  
NATIVE SOIL

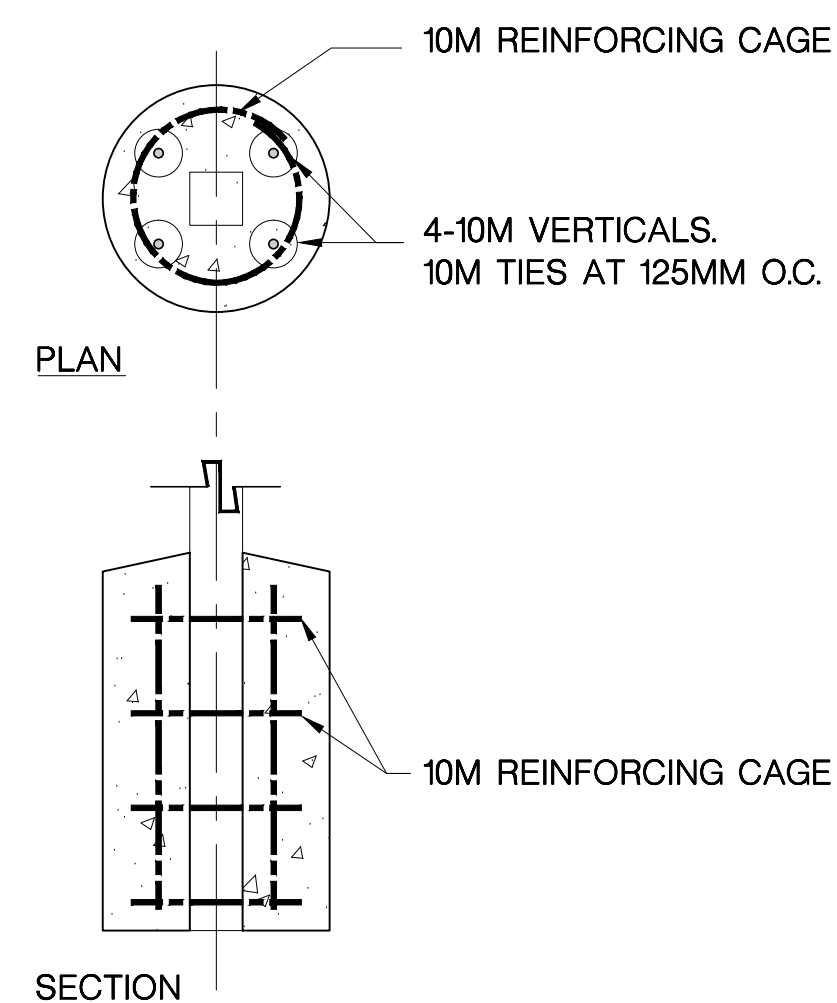
1 COATED STEEL FENCING  
L7.5 SCALE: 120



2 COATED STEEL FENCING - SLOPING GRADE  
L7.5 SCALE: 120



3 GATE  
L7.5 SCALE: 120



4 FOUNDATION DETAILS  
L7.5 SCALE: 110

PERIMETER FENCING & GATE NOTES:

ALL VARIETIES OF NEW FENCING AND GATES TO MATCH EXISTING FENCING

SUBJECT TO SHOP DRAWINGS AND APPROVAL BY DEPARTMENTAL REPRESENTATIVE

COLUMBARIA SHOWN ARE FOR REFERENCE ONLY, NOT INCLUDED IN THIS CONTRACT

Revision/Revision	Description/Description	Date/Date
12	100% CONSTRUCTION DRAWINGS	16/12/15
11	100% CONSTRUCTION DRAWINGS	16/11/28
10	100% CONSTRUCTION DRAWINGS	16/11/18
9	100% CONSTRUCTION DRAWINGS	16/11/04
8	100% CONSTRUCTION DRAWINGS	16/10/12
7	100% CONSTRUCTION DRAWINGS ISSUED FOR REVIEW	16/09/23
6	99% CONSTRUCTION DRAWINGS ISSUED FOR REVIEW	16/09/07
5	99% CONSTRUCTION DRAWINGS ISSUED FOR REVIEW	16/08/05
4	99% CONSTRUCTION DRAWINGS ISSUED FOR REVIEW	16/07/04
3	99% CONSTRUCTION DRAWINGS ISSUED FOR REVIEW	16/06/24
2	66% CONSTRUCTION DRAWINGS ISSUED FOR REVIEW	16/06/09
1	33% CONSTRUCTION DRAWINGS ISSUED FOR REVIEW	16/06/01

Client/client: Veterans Affairs Canada / Anciens Combattants Canada

Project title/Titre du projet: ESQUIMALT, B.C. VETERANS DRIVE  
ESQUIMALT VETERANS CEMETERY EXPANSION

Consultant Signature Box Only

Designed by/Concept par: LEES + ASSOCIATES

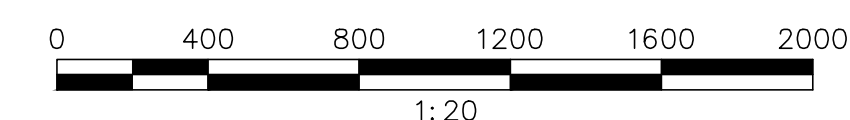
Drawn by/Dessiné par: LEES + ASSOCIATES / DATE (2016.12.15)

PWGSC Project Manager/Administrateur de Projets TPSGC: REZA HAGHIGHI

PWGSC, Regional Manager, Architectural and Engineering Services/Gestionnaire régionale, Services d'architectural et de génie, TPSGC

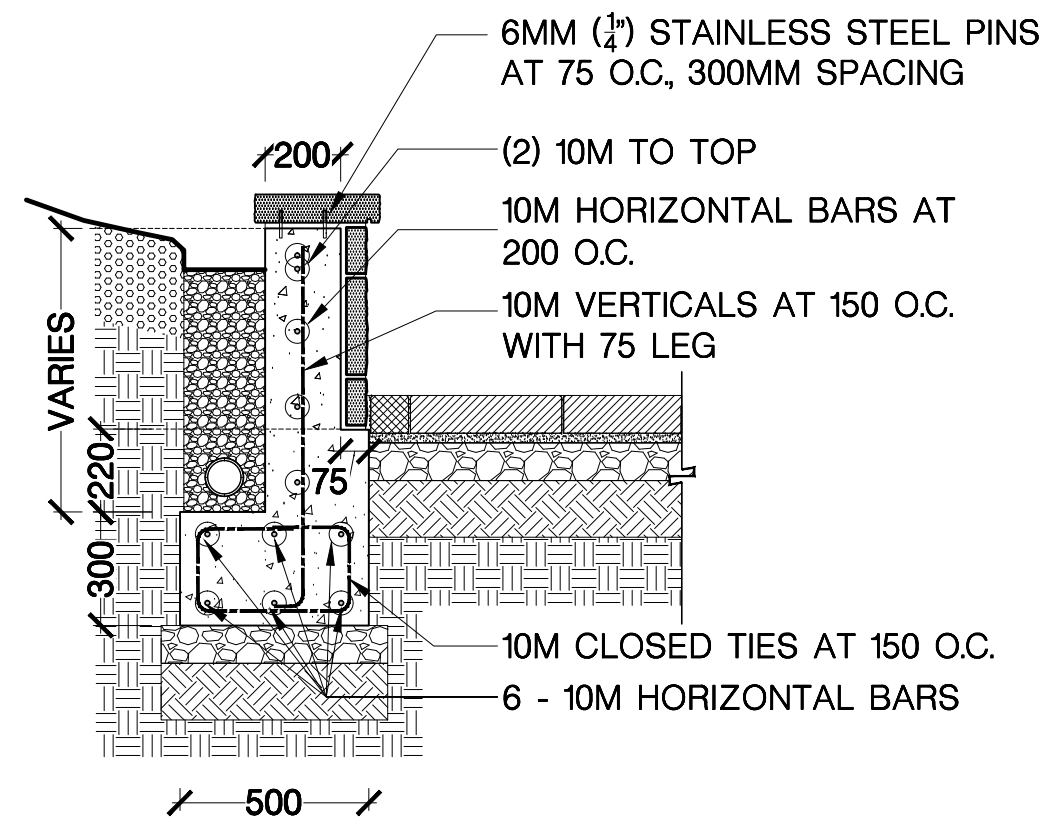
Drawing title/Titre du dessin: CONSTRUCTION DETAILS COATED STEEL FENCE

Project No./No. du projet: R.080256.003  
Sheet/Feuille: L7.5  
Revision no./La Révision no.: 12  
20 OF 33

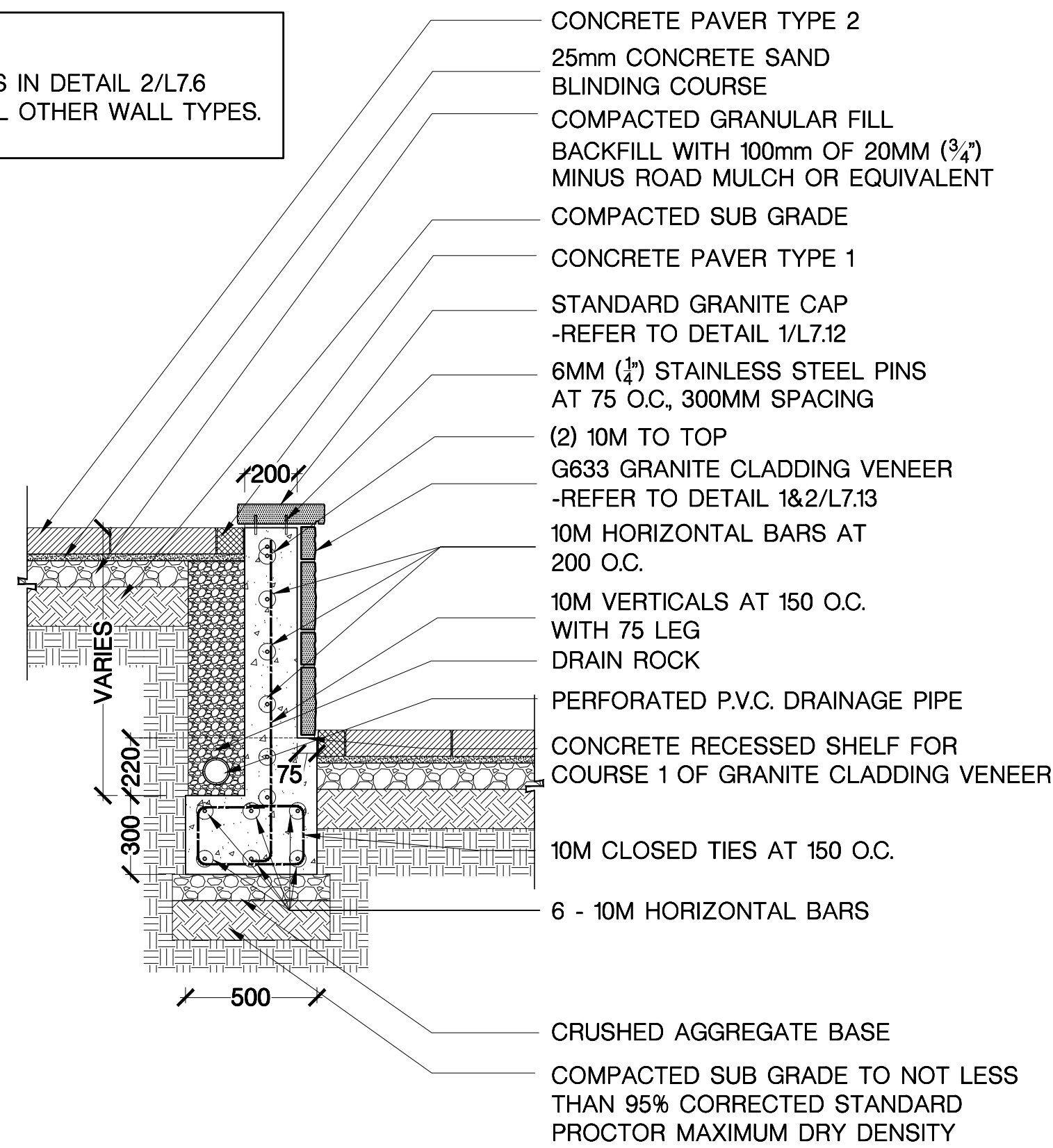


Z:\Active Clients\Public Works and Government Services Canada\16-854 God's Acre Veterans Cemetery Esquimalt\6\_CAD\Working Drawings\CD Set\16-854\_EVC\_Exp\_L7.5 to L7.19\_Construction Details.dwg

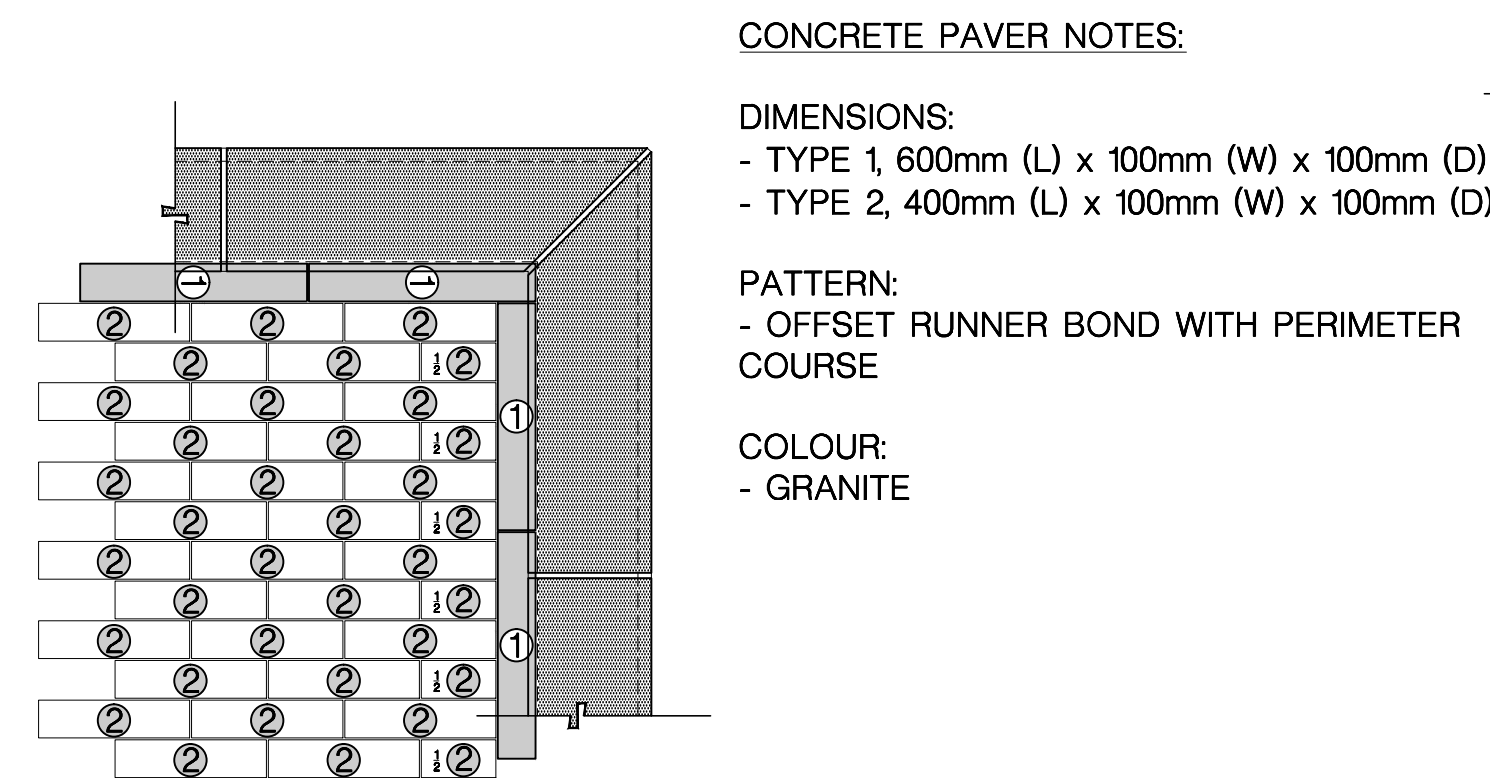
NOTES:  
ANNOTATIONS IN DETAIL 2/L7.6 APPLY TO ALL OTHER WALL TYPES.



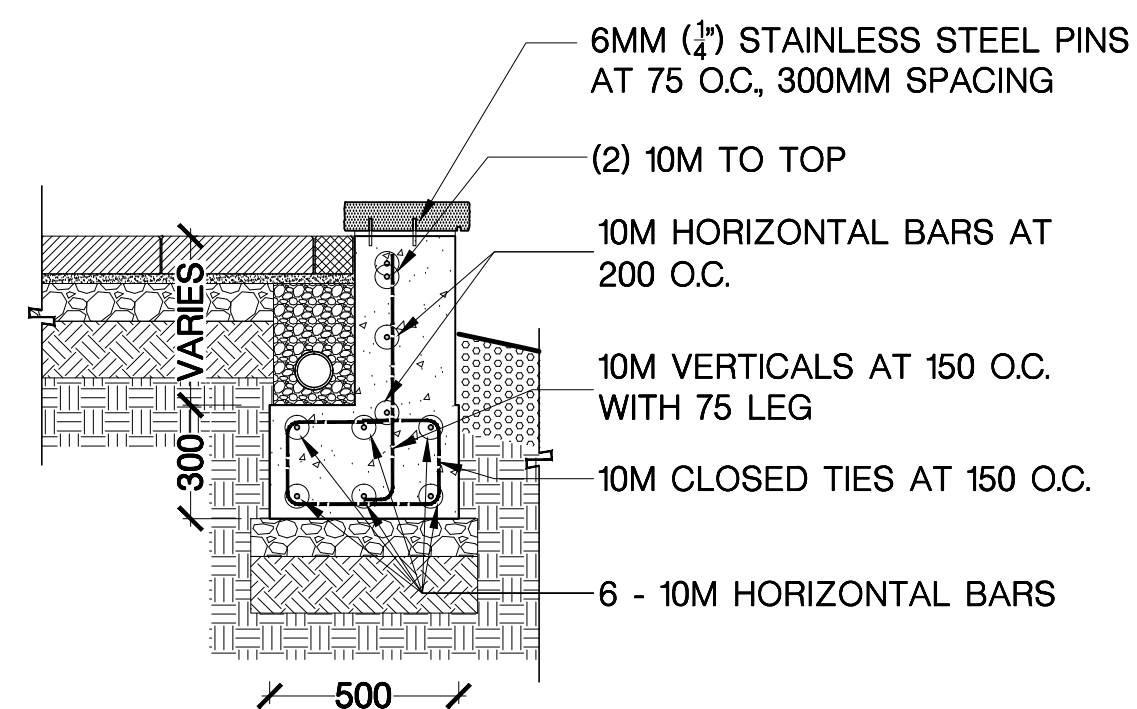
1 C.I.P. CONCRETE RETAINING WALL - TYPE I  
L7.6 SCALE: 120



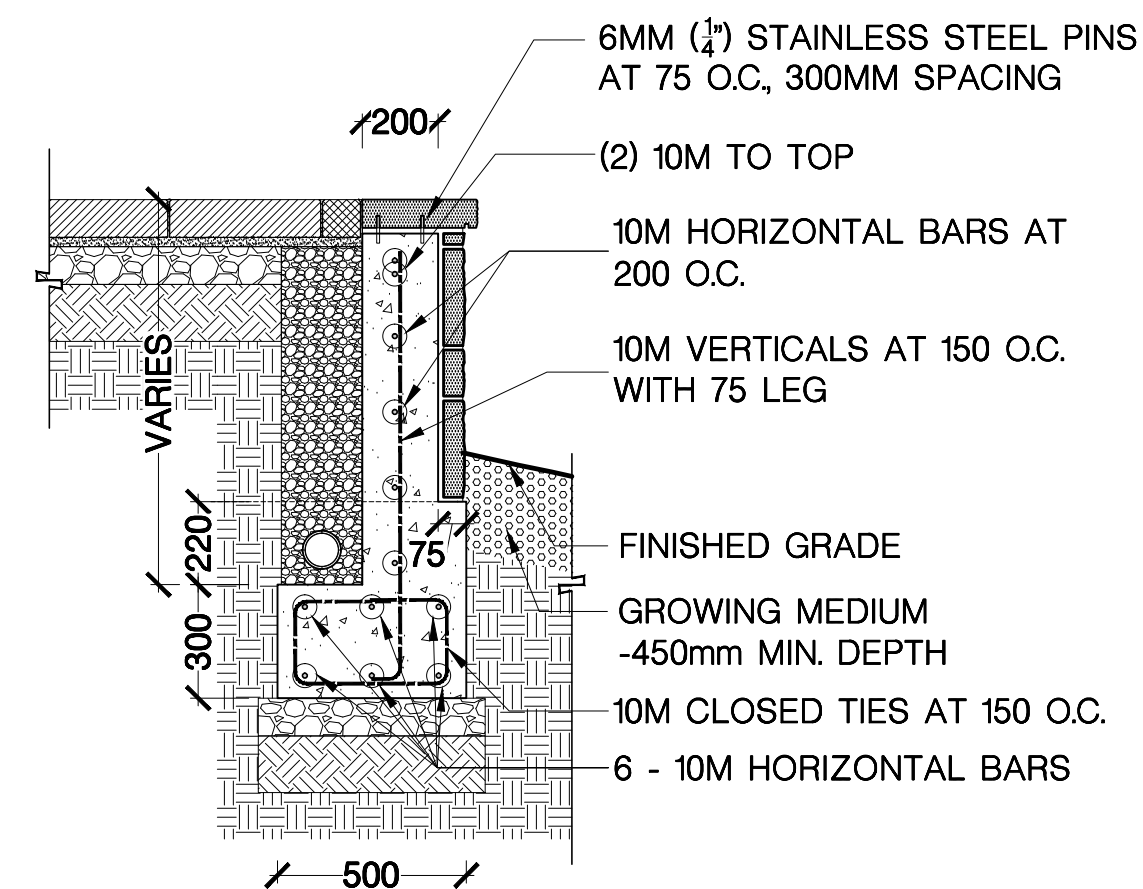
2 C.I.P. CONCRETE RETAINING WALL - TYPE II  
L7.6 SCALE: 120



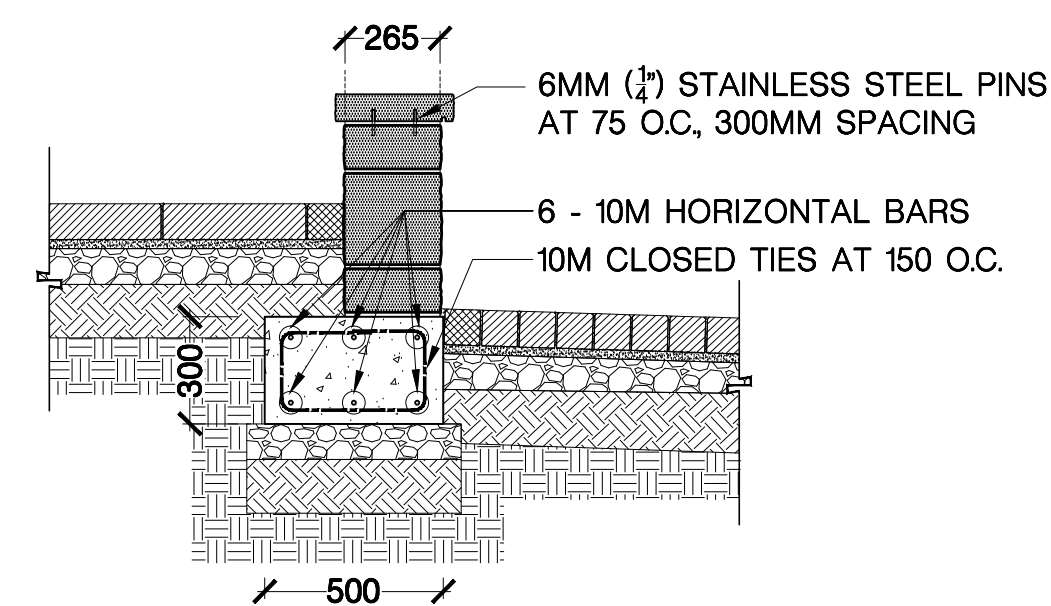
3 CONCRETE PAVER LAYING PATTERN  
L7.6 SCALE: 120



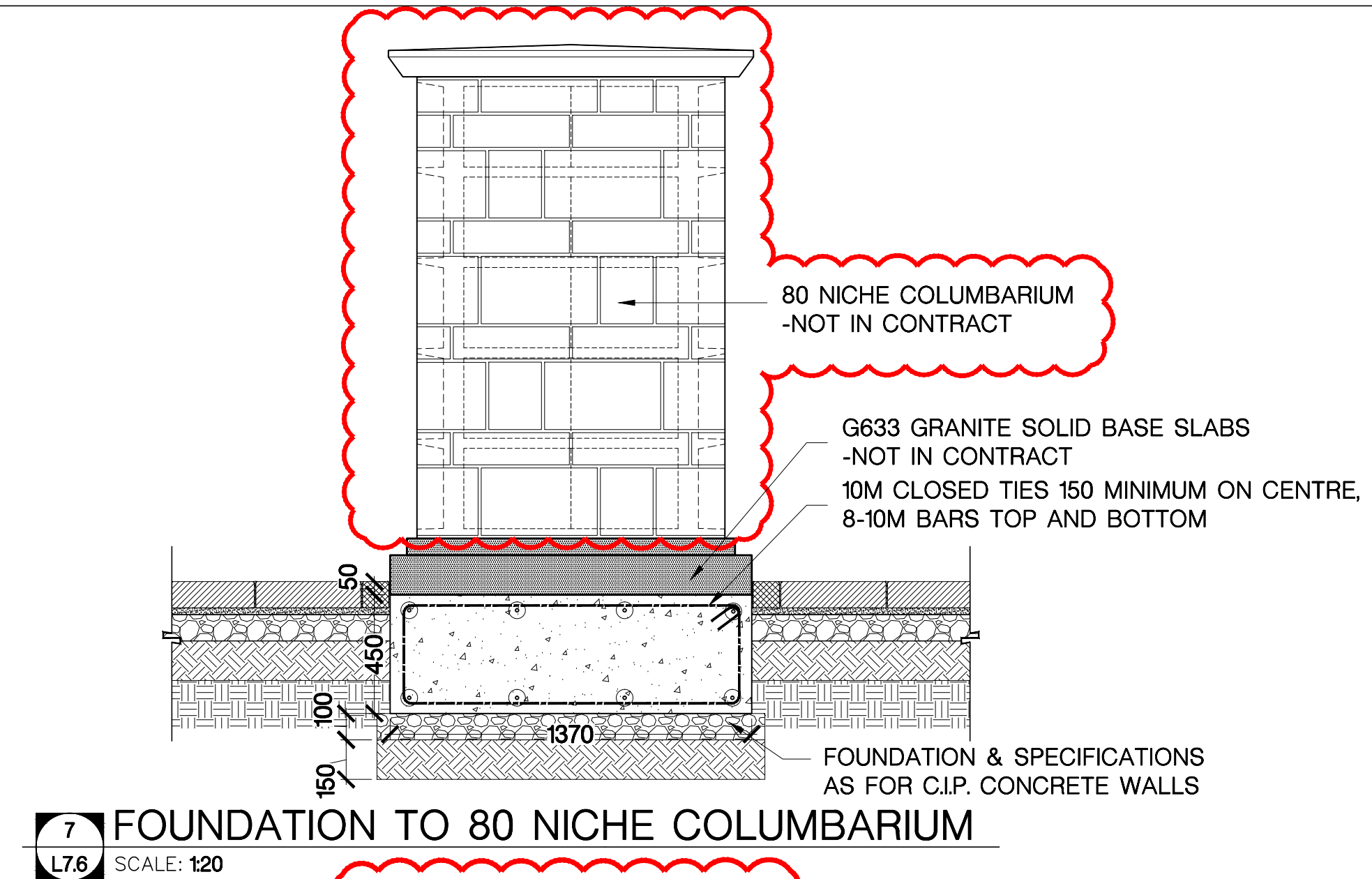
4 C.I.P. CONCRETE RETAINING WALL - TYPE III  
L7.6 SCALE: 120



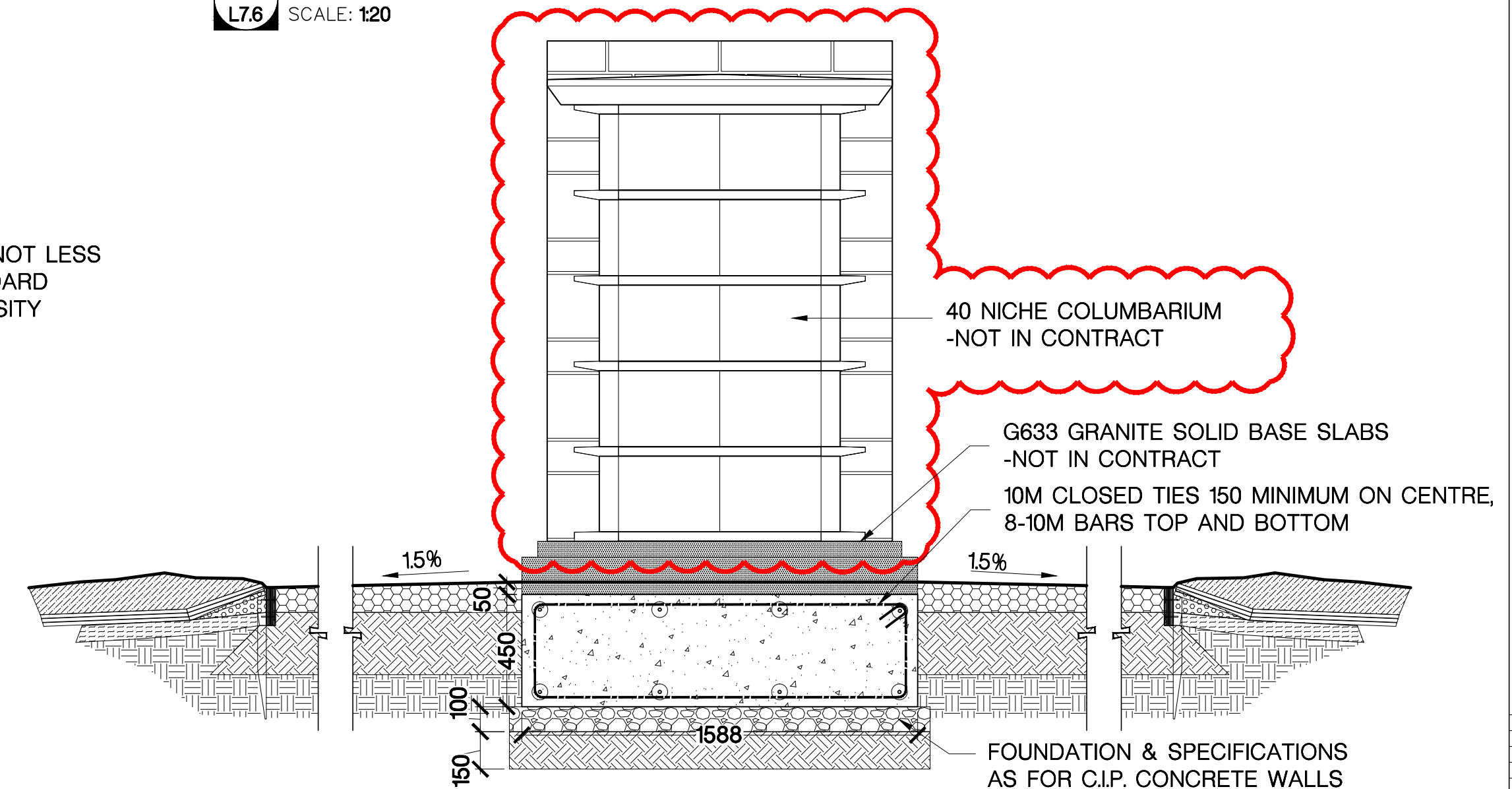
5 C.I.P. CONCRETE RETAINING WALL - TYPE IV  
L7.6 SCALE: 120



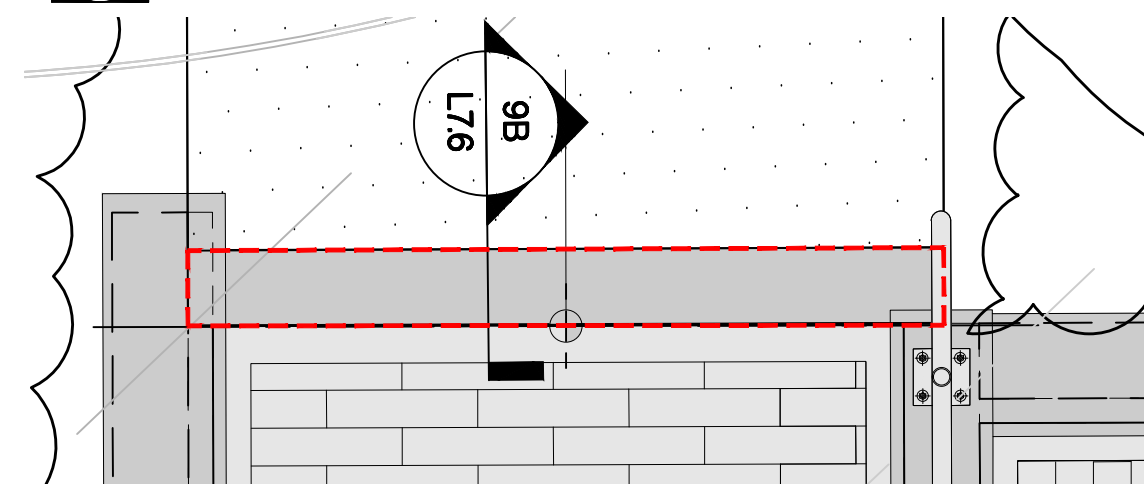
6 SOLID STONE RETAINING WALL - TYPE V  
L7.6 SCALE: 120



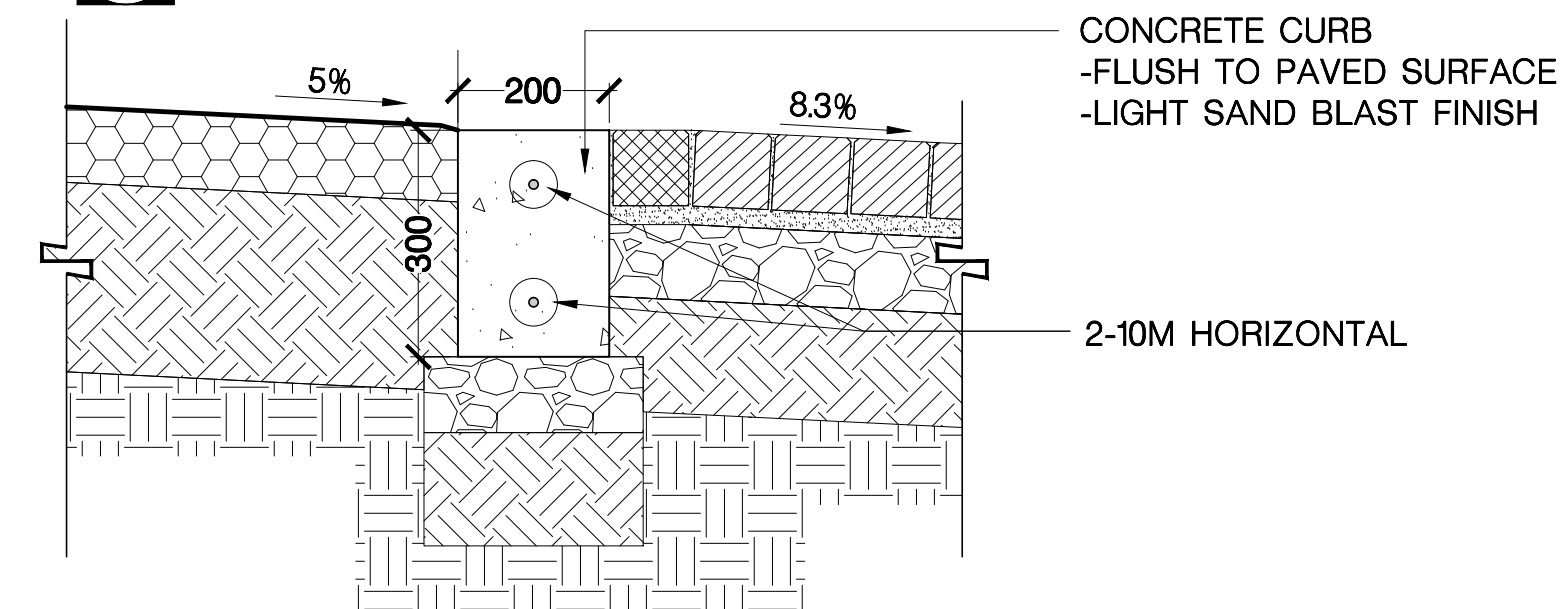
7 FOUNDATION TO 80 NICHE COLUMBARIUM  
L7.6 SCALE: 120



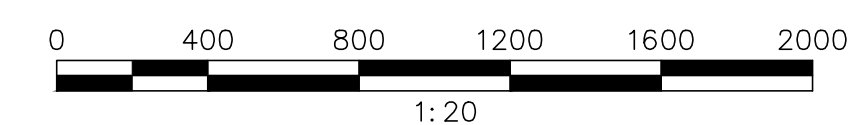
8 FOUNDATION TO 40 NICHE COLUMBARIUM  
L7.6 SCALE: 120



9A CONC. PAVER EDGE - PLAN  
L7.6 SCALE: 120



9B CONC. PAVER EDGE - SECTION  
L7.6 SCALE: 110



GENERAL FOUNDATION NOTES:  
FOUNDATIONS TO COLUMBARIA, C.I.P. CONCRETE RETAINING WALLS AND MEMORIAL WALLS

SUPPORTED ON STIFF NATIVE CLAYS:

- COMPACTED GRANULAR SOIL SUB GRADE
- MIN. 150mm (6") OF FREE DRAINING, 25mm MINUS SANDY GRAVEL (WITH LESS THAN 5% PASSING THE 0.075mm COMPACTED TO 95% SPD)
- CONCRETE FOUNDATION TO 25 MPA AT 28 DAYS, TO BE CONFIRMED BY ENGINEER

SUPPORTED ON BEDROCK:

- IF ENCOUNTERED PLACING FOUNDATIONS DIRECTLY ONTO BEDROCK IS ACCEPTABLE, AFTER INSPECTION BY ENGINEER.



COLUMBARIA SHOWN ARE FOR REFERENCE ONLY, NOT INCLUDED IN THIS CONTRACT

Revision/Revision	Description/Description	Date/Date
12	100% CONSTRUCTION DRAWINGS	16/12/15
11	100% CONSTRUCTION DRAWINGS	16/11/28
10	100% CONSTRUCTION DRAWINGS	16/11/18
9	100% CONSTRUCTION DRAWINGS	16/11/04
8	100% CONSTRUCTION DRAWINGS	16/10/12
7	100% CONSTRUCTION DRAWINGS ISSUED FOR REVIEW	16/09/23
6	99% CONSTRUCTION DRAWINGS ISSUED FOR REVIEW	16/09/07
5	99% CONSTRUCTION DRAWINGS ISSUED FOR REVIEW	16/08/05
4	99% CONSTRUCTION DRAWINGS ISSUED FOR REVIEW	16/07/04
3	99% CONSTRUCTION DRAWINGS ISSUED FOR REVIEW	16/06/24
2	66% CONSTRUCTION DRAWINGS ISSUED FOR REVIEW	16/06/09
1	33% CONSTRUCTION DRAWINGS ISSUED FOR REVIEW	16/06/01

Client/client: Veterans Affairs Canada / Anciens Combattants Canada

Project title/Titre du projet: ESQUIMALT, B.C. VETERANS DRIVE  
ESQUIMALT VETERANS CEMETERY EXPANSION

Consultant Signature Box Only

Designed by/Concept par: LEES + ASSOCIATES

Drawn by/Dessiné par: LEES + ASSOCIATES / DATE (2016.12.15)

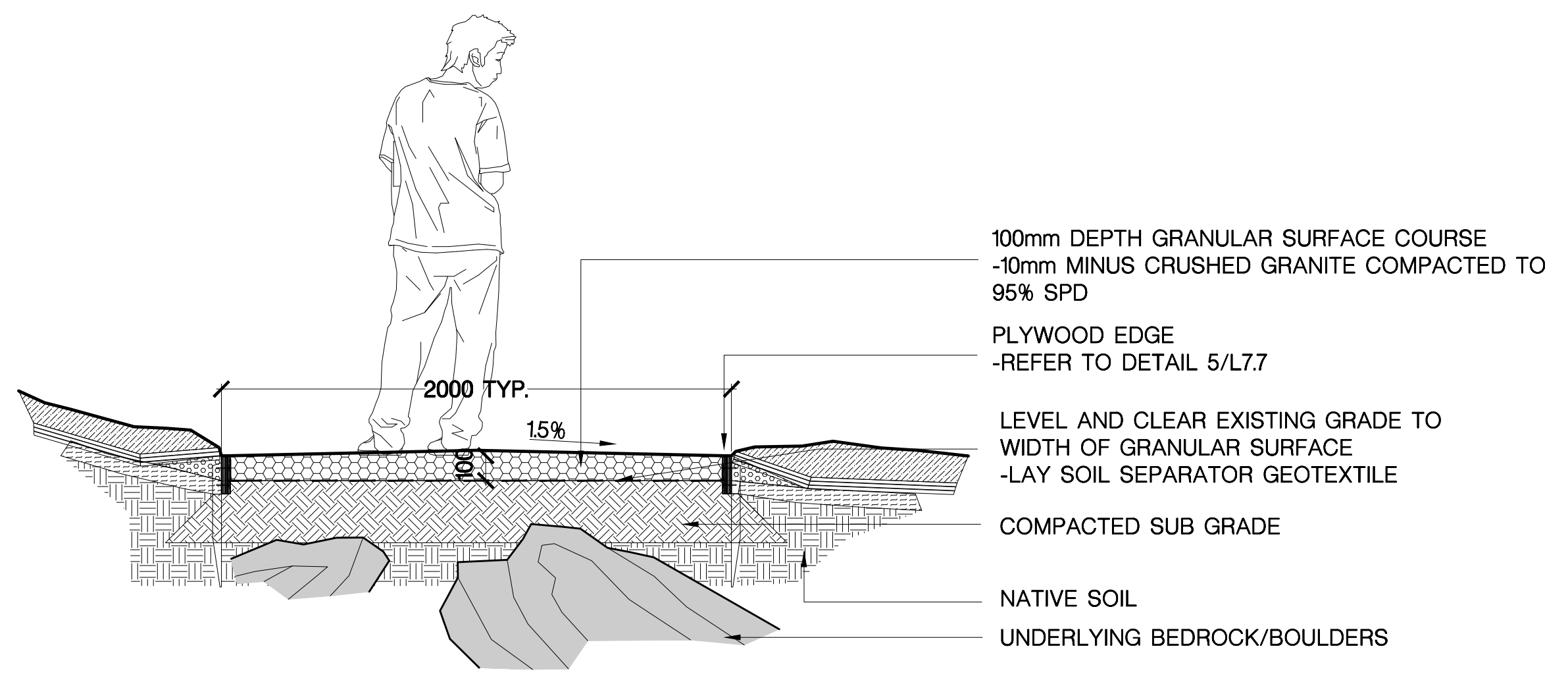
PWGSC Project Manager/Administrateur de Projets TPSGC: REZA HAGHIGHI

PWGSC, Regional Manager, Architectural and Engineering Services/Gestionnaire régionale, Services d'architecture et de génie, TPSGC

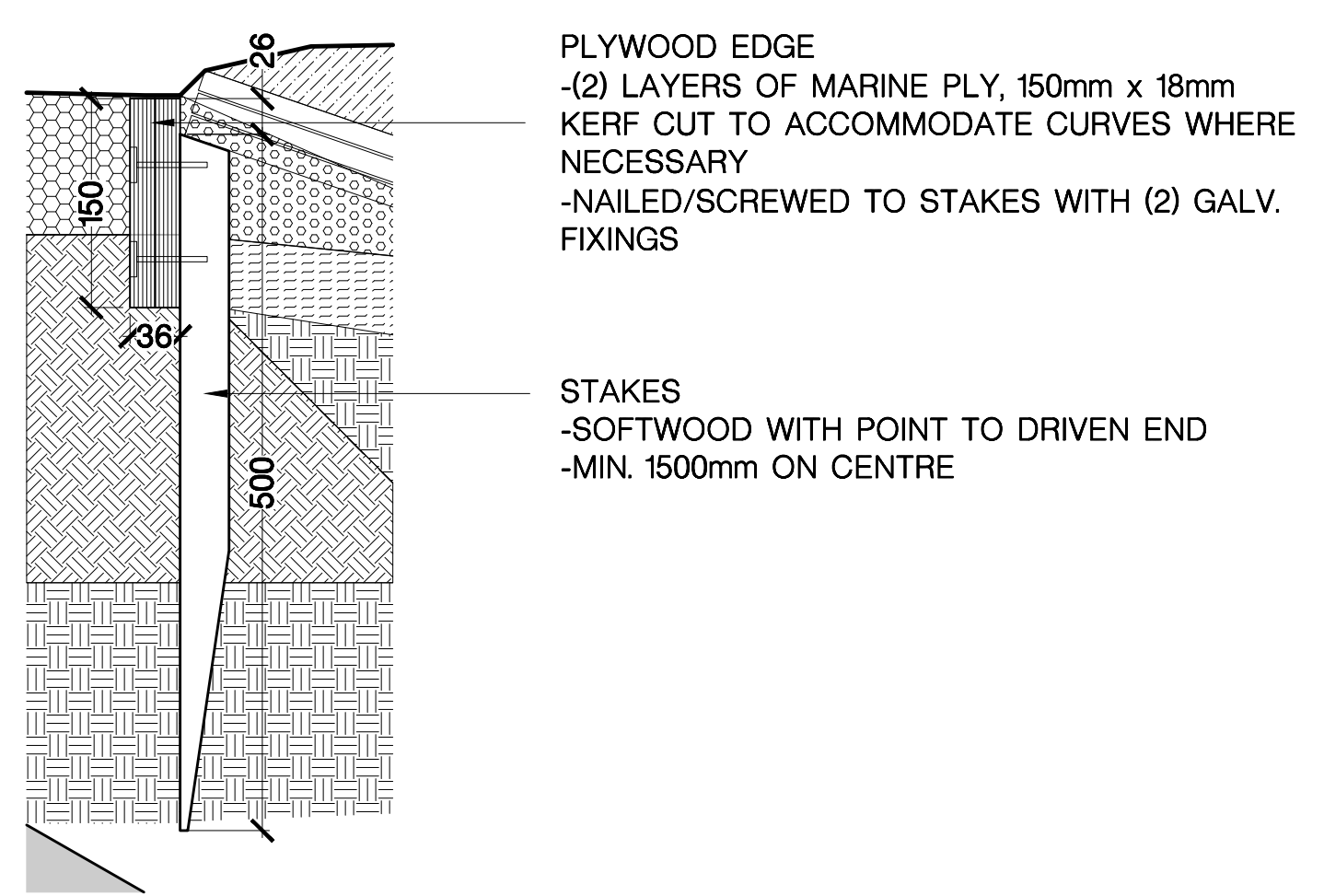
Drawing title/Titre du dessin: CONSTRUCTION DETAILS RETAINING WALL AND COLUMBARIUM FOUNDATION

Project No./No. du projet: R.080256.003  
Sheet/Fauille: L7.6  
Revision no./La Révision no.: 12

Z:\Active Clients\Public Works and Government Services Canada\16-854 God's Acre Veterans Cemetery Esquimalt\6\_CAD\Working Drawings\CD Set\16-854\_EVC\_Exp\_L7.5 to L7.19\_Construction Details.dwg

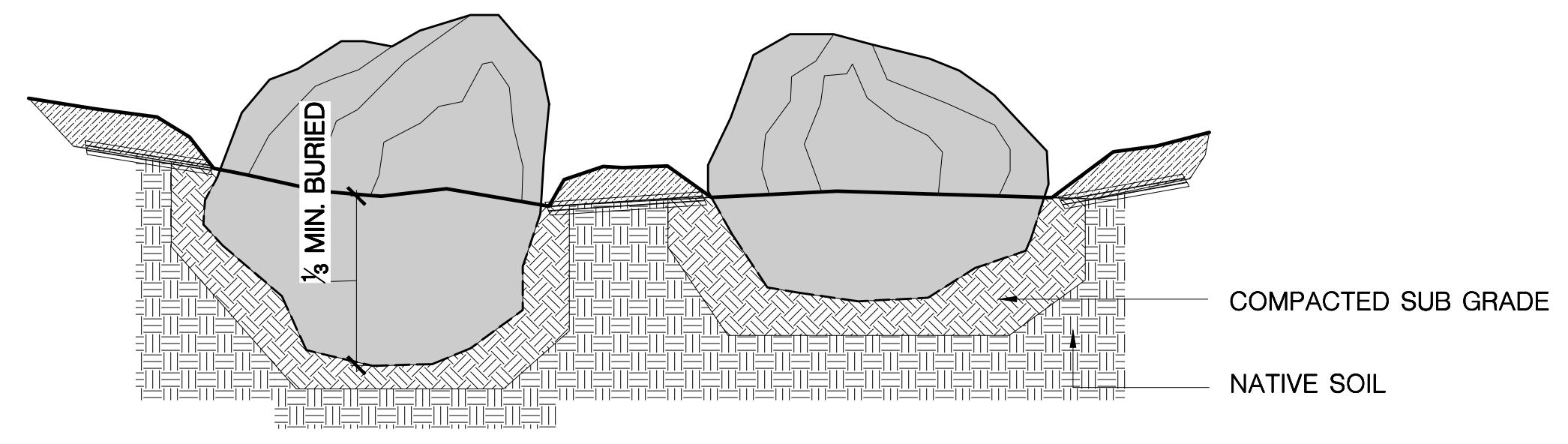


NOTE:  
SUBSURFACE CONDITIONS VARY. CONTRACTOR TO ALLOW FOR USE OF JACK HAMMER FOR ROCK REMOVAL AS REQUIRED.



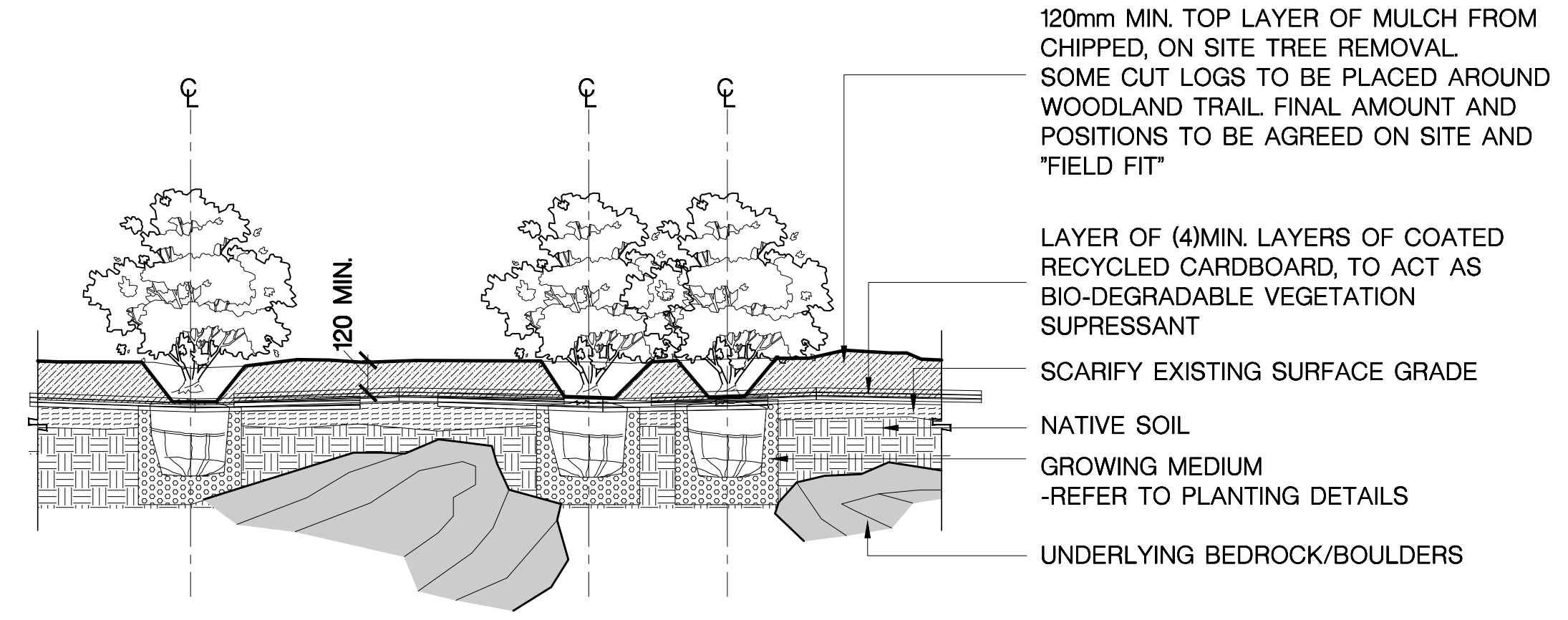
**1A** GRANULAR SURFACE PATH - SECTION  
L7.7 SCALE: 120

**1B** PLYWOOD EDGE - SECTION  
L7.7 SCALE: 15



NOTE:  
PROPOSED BOULDERS ARE SALVAGED FROM SITE ONLY. EXACT SIZE, NUMBER AND LOCATION T.B.D, BASED ON EXCAVATION.

**2** BOULDER PLACEMENT - SECTION  
L7.7 SCALE: 120



**3** MULCH APPLICATION - SECTION  
L7.7 SCALE: 120

COLUMBARIA SHOWN ARE FOR REFERENCE ONLY, NOT INCLUDED IN THIS CONTRACT

Revision/Revision	Description/Description	Date/Date
12	100% CONSTRUCTION DRAWINGS	16/12/15
11	100% CONSTRUCTION DRAWINGS	16/11/28
10	100% CONSTRUCTION DRAWINGS	16/11/18
9	100% CONSTRUCTION DRAWINGS	16/11/04
8	100% CONSTRUCTION DRAWINGS	16/10/12
7	100% CONSTRUCTION DRAWINGS ISSUED FOR REVIEW	16/09/23
6	99% CONSTRUCTION DRAWINGS ISSUED FOR REVIEW	16/09/07
5	99% CONSTRUCTION DRAWINGS ISSUED FOR REVIEW	16/08/05
4	99% CONSTRUCTION DRAWINGS ISSUED FOR REVIEW	16/07/04
3	99% CONSTRUCTION DRAWINGS ISSUED FOR REVIEW	16/06/24
2	66% CONSTRUCTION DRAWINGS ISSUED FOR REVIEW	16/06/09
1	33% CONSTRUCTION DRAWINGS ISSUED FOR REVIEW	16/06/01

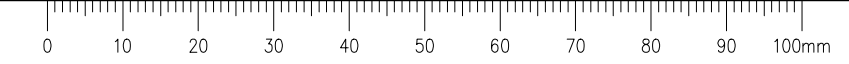
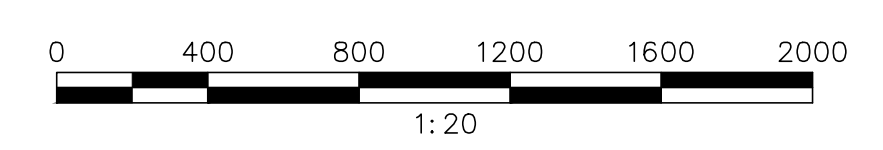
Client/client  
Veterans Affairs Canada / Anciens Combattants Canada

Project title/Titre du projet  
**ESQUIMALT, B.C. VETERANS DRIVE**  
**ESQUIMALT VETERANS CEMETERY EXPANSION**

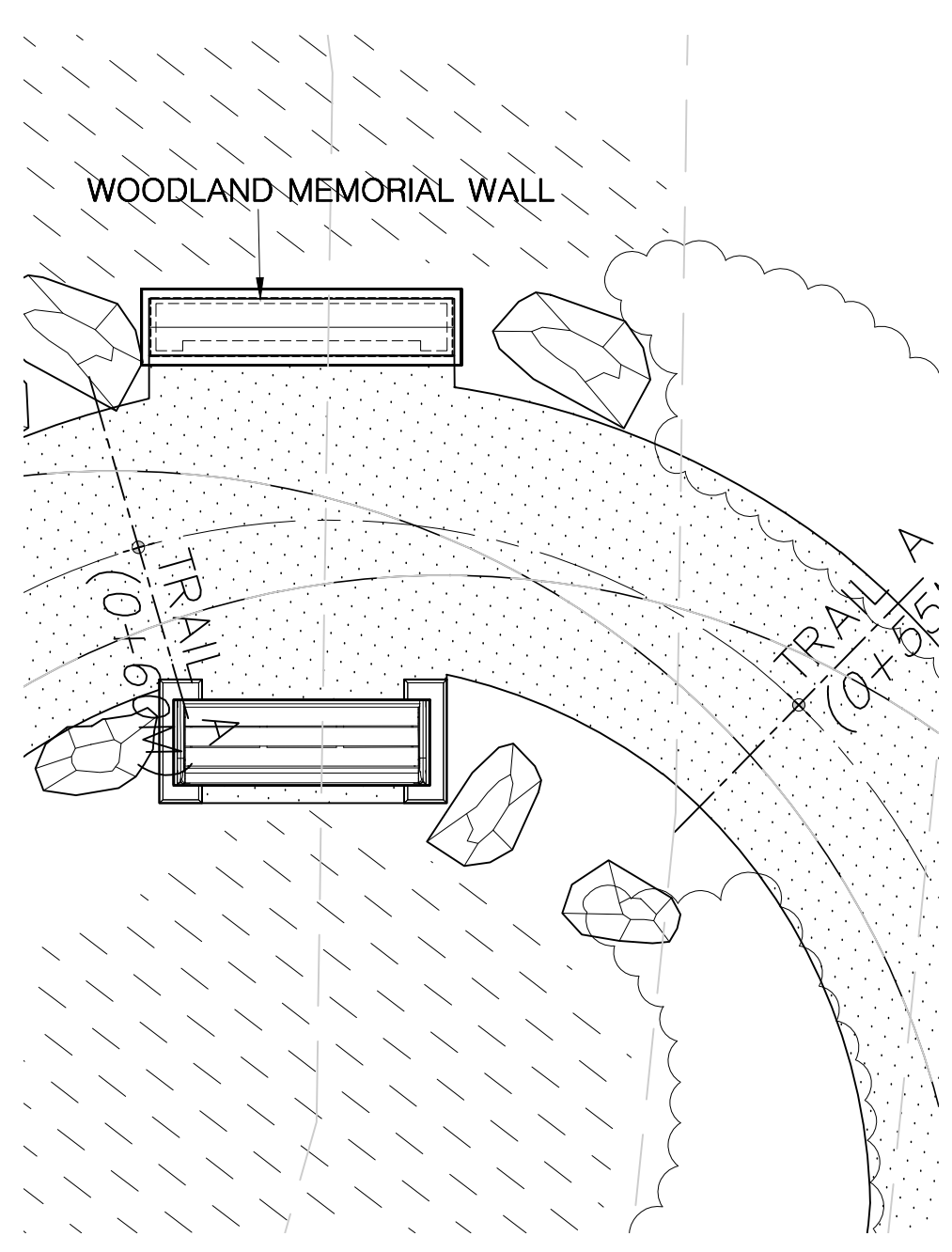
Consultant Signature Box Only  
Designed by/Concept par  
**LEES + ASSOCIATES**  
Drawn by/Dessiné par  
**LEES + ASSOCIATES / DATE (2016.12.15)**  
PWGSC Project Manager/Administrateur de Projets TPSGC  
**REZA HAGHIGHI**  
PWGSC, Regional Manager, Architectural and Engineering Services/  
Gestionnaire régionale, Services d'architectural et de génie, TPSGC

Drawing title/Titre du dessin  
**CONSTRUCTION DETAILS GRANULAR PATH, BOULDER AND MULCH APPLICATION**

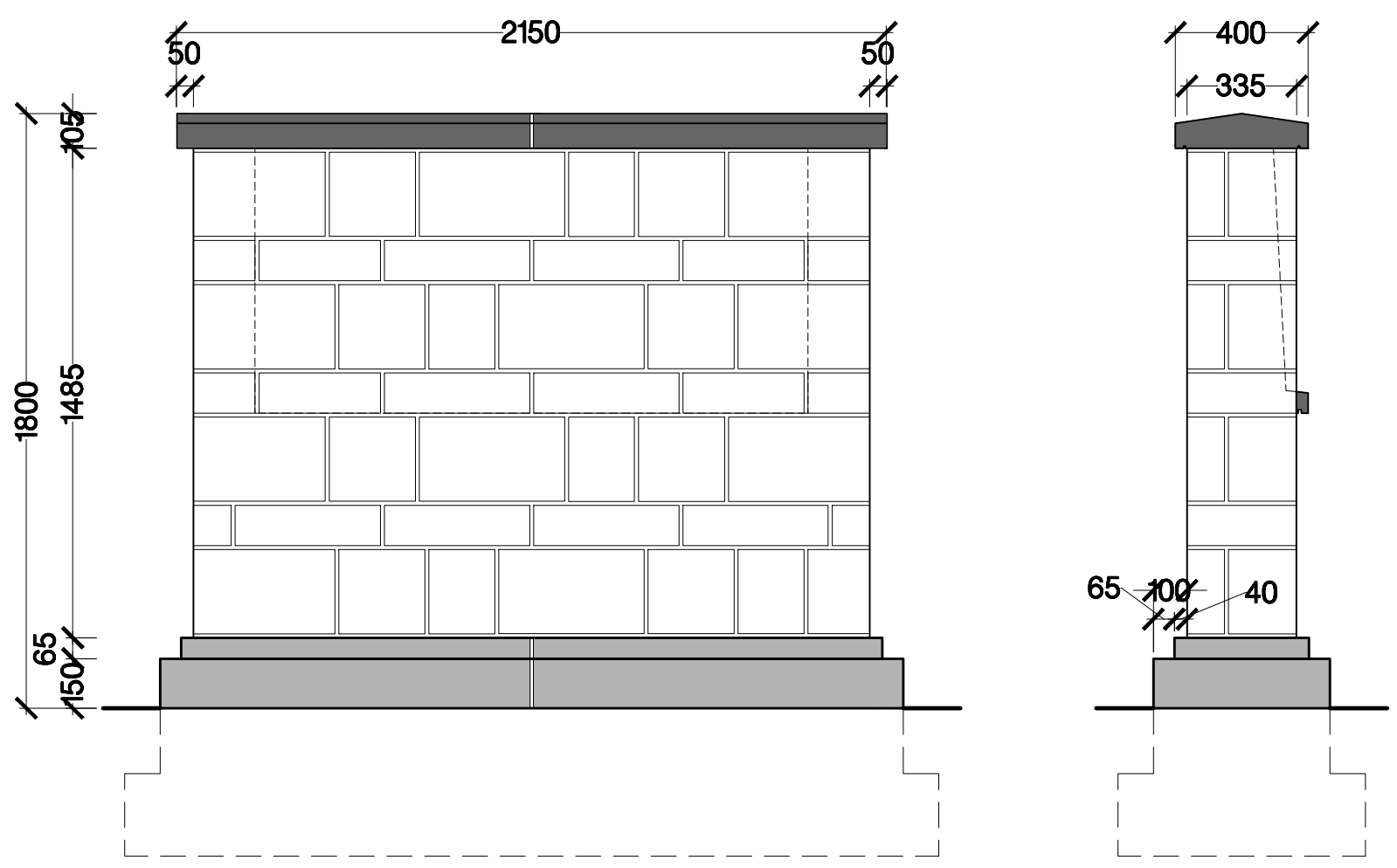
Project No./No. du projet  
**R.080256.003.**  
Sheet/Feuille  
**L7.7**  
Revision no./La Révision no.  
**12**  
**22 OF 33**



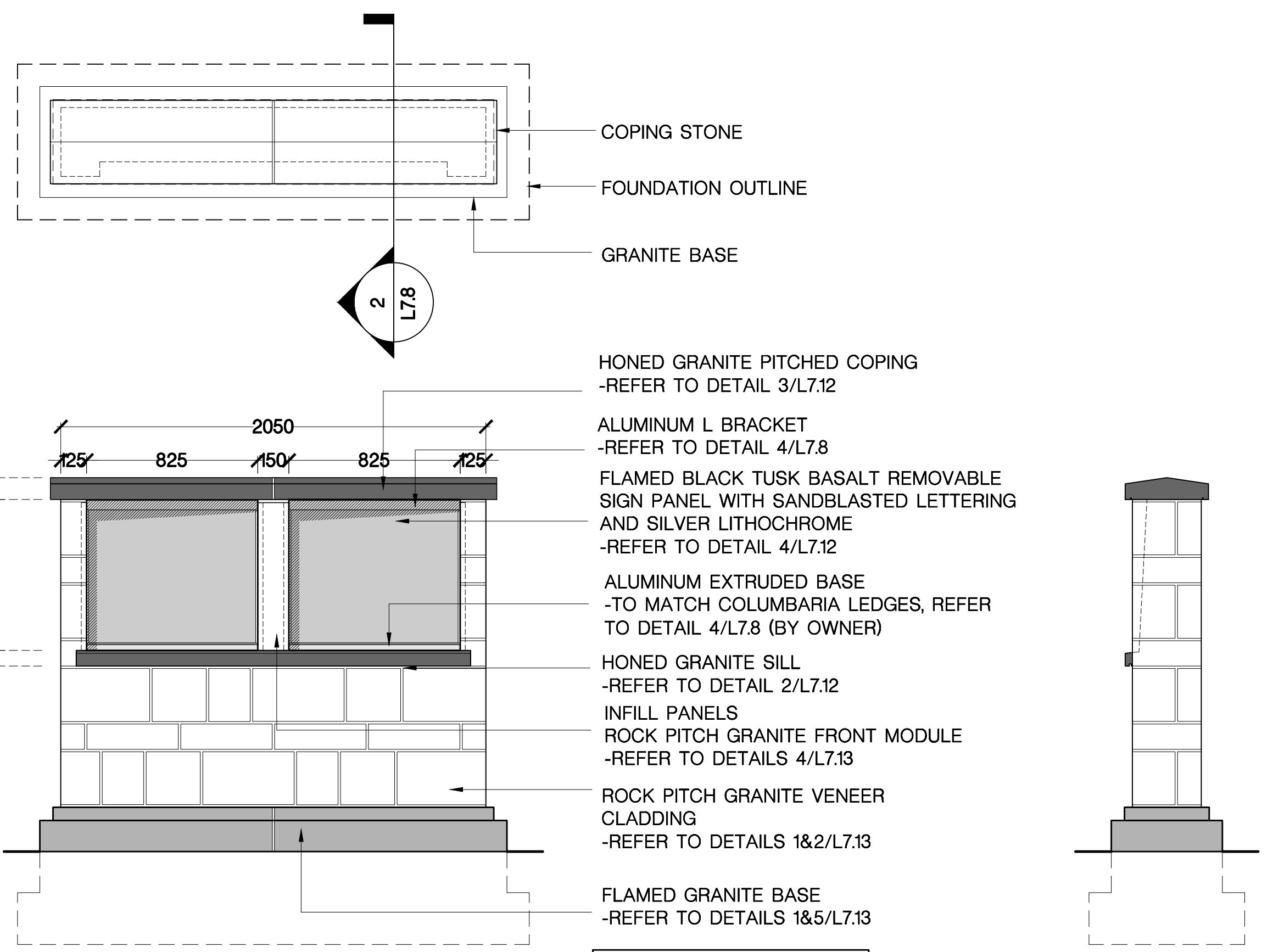
Z:\Active Clients\Public Works and Government Services Canada\16-854 God's Acre Veterans Cemetery Esquimalt\6\_CAD\Working Drawings\CD Set\16-854\_EVC Exp\_L7.5 to L7.19\_Construction Details.dwg



**3** LOCATION PLAN  
L7.8 SCALE: 1:50

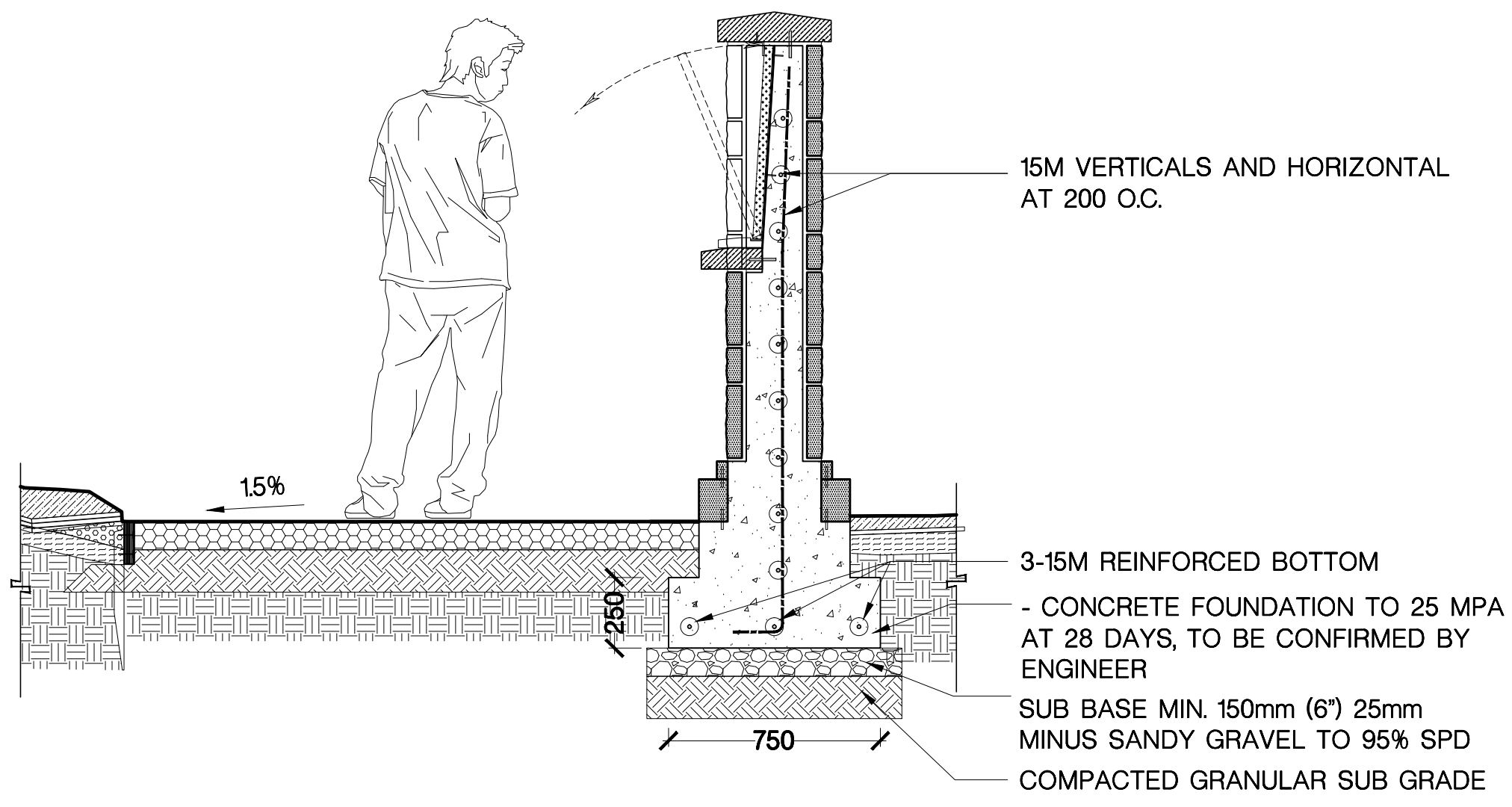


**1** WOODLAND MEMORIAL WALL - ELEVATIONS  
L7.8 SCALE: 1:20

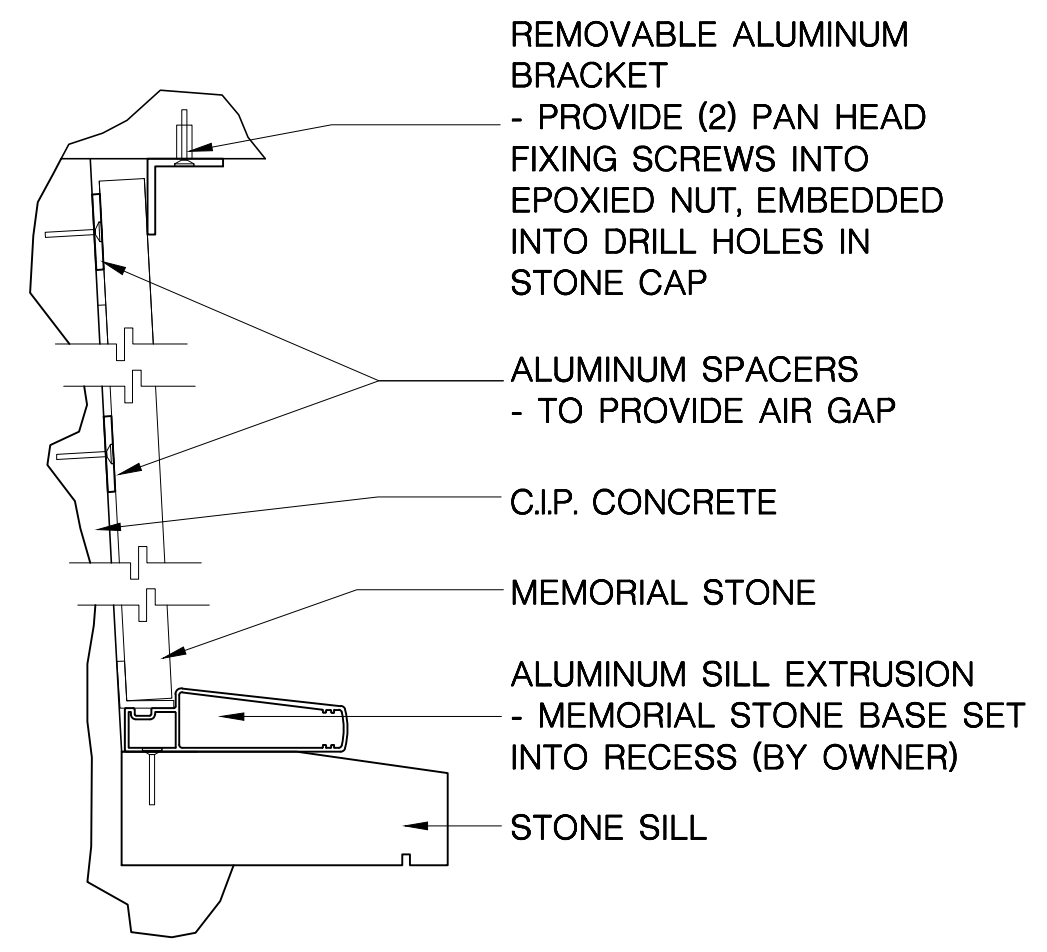


- COPING STONE
- FOUNDATION OUTLINE
- GRANITE BASE
- HONED GRANITE PITCHED COPING  
-REFER TO DETAIL 3/L7.12
- ALUMINUM L BRACKET  
-REFER TO DETAIL 4/L7.8
- FLAMED BLACK TUSK BASALT REMOVABLE SIGN PANEL WITH SANDBLASTED LETTERING AND SILVER LITHOCHROME  
-REFER TO DETAIL 4/L7.12
- ALUMINUM EXTRUDED BASE  
-TO MATCH COLUMBARIA LEDGES, REFER TO DETAIL 4/L7.8 (BY OWNER)
- HONED GRANITE SILL  
-REFER TO DETAIL 2/L7.12
- INFILL PANELS
- ROCK PITCH GRANITE FRONT MODULE  
-REFER TO DETAILS 4/L7.13
- ROCK PITCH GRANITE VENEER CLADDING  
-REFER TO DETAILS 1&2/L7.13
- FLAMED GRANITE BASE  
-REFER TO DETAILS 1&5/L7.13

INSCRIPTION/TEXT NOTES:  
-TEXT, FONT & SIZE TO BE CONFIRMED



**2** WOODLAND MEMORIAL WALL - TYPICAL SECTION  
L7.8 SCALE: 1:20



**4** ALUMINUM SILL & REMOVABLE BRACKET  
L7.8 SCALE: 1:5

GENERAL FOUNDATION NOTES:  
FOUNDATIONS TO COLUMBARIA, C.I.P. CONCRETE RETAINING WALLS AND MEMORIAL WALLS

SUPPORTED ON STIFF NATIVE CLAYS:

- COMPACTED GRANULAR SOIL SUB GRADE
- MIN. 150mm (6") OF FREE DRAINING, 25mm MINUS SANDY GRAVEL (WITH LESS THAN 5% PASSING THE 0.075mm COMPACTED TO 95% SPD)
- CONCRETE FOUNDATION TO 25 MPA AT 28 DAYS, TO BE CONFIRMED BY ENGINEER

SUPPORTED ON BEDROCK:

- IF ENCOUNTERED PLACING FOUNDATIONS DIRECTLY ONTO BEDROCK IS ACCEPTABLE, AFTER INSPECTION BY ENGINEER.



COLUMBARIA SHOWN ARE FOR REFERENCE ONLY, NOT INCLUDED IN THIS CONTRACT

Revision/Revision	Description/Description	Date/Date
12	100% CONSTRUCTION DRAWINGS	16/12/15
11	100% CONSTRUCTION DRAWINGS	16/11/28
10	100% CONSTRUCTION DRAWINGS	16/11/18
9	100% CONSTRUCTION DRAWINGS	16/11/04
8	100% CONSTRUCTION DRAWINGS	16/10/12
7	100% CONSTRUCTION DRAWINGS ISSUED FOR REVIEW	16/09/23
6	99% CONSTRUCTION DRAWINGS ISSUED FOR REVIEW	16/09/07
5	99% CONSTRUCTION DRAWINGS ISSUED FOR REVIEW	16/08/05
4	99% CONSTRUCTION DRAWINGS ISSUED FOR REVIEW	16/07/04
3	99% CONSTRUCTION DRAWINGS ISSUED FOR REVIEW	16/06/24
2	66% CONSTRUCTION DRAWINGS ISSUED FOR REVIEW	16/06/09
1	33% CONSTRUCTION DRAWINGS ISSUED FOR REVIEW	16/06/01

Client/client: Veterans Affairs Canada / Anciens Combattants Canada

Project title/Titre du projet: **ESQUIMALT, B.C. VETERANS DRIVE ESQUIMALT VETERANS CEMETERY EXPANSION**

Designed by/Concept par: **LEES + ASSOCIATES**

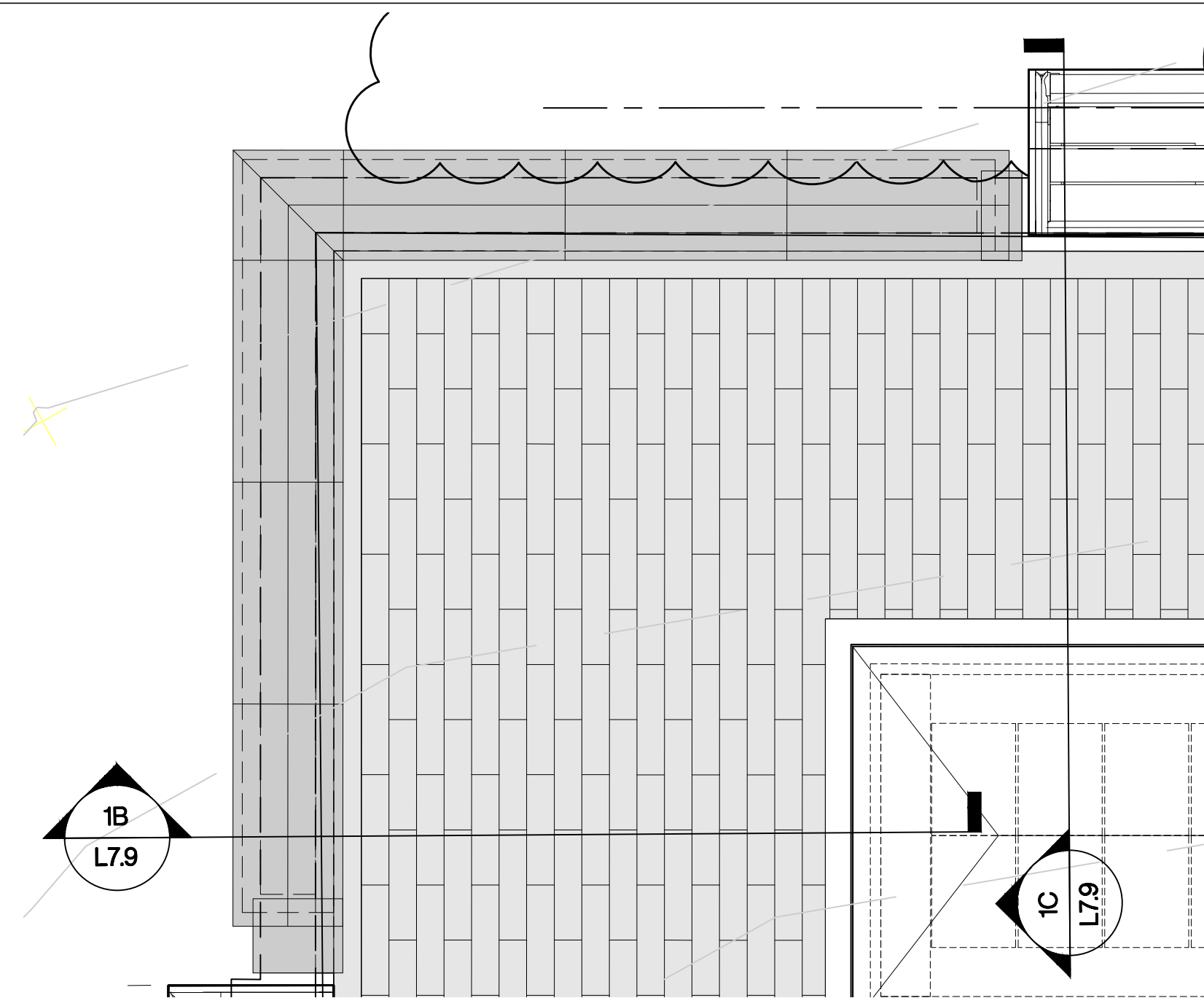
Drawn by/Dessiné par: **REZA HAGHIGHI**

Drawing title/Titre du dessin: **CONSTRUCTION DETAILS WOODLAND MEMORIAL WALL**

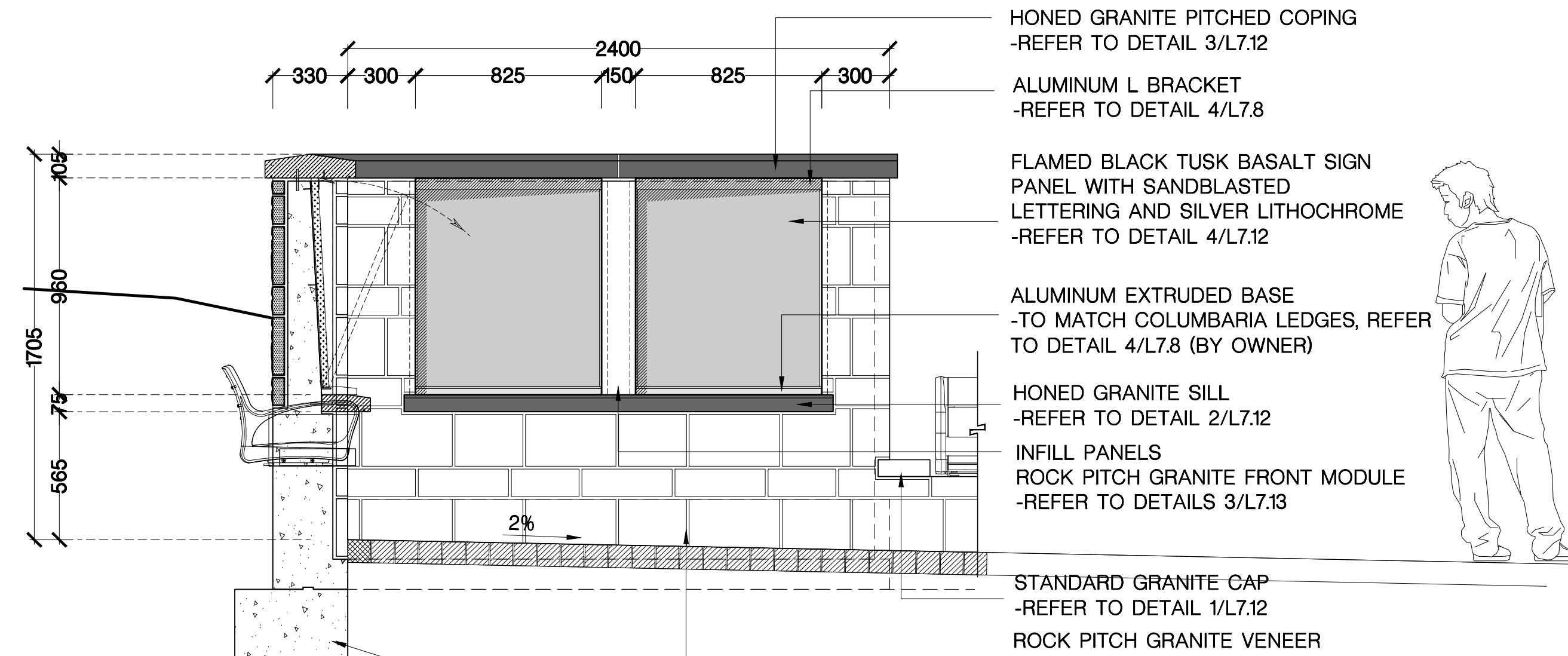
Project No./No. du projet: **R.080256.003.** Sheet/Feuille: **L7.8** Revision no./La Révision no.: **12**



Z:\Active Clients\Public Works and Government Services Canada\16-854 God's Acre Veterans Cemetery Esquimalt\6\_CAD\Working Drawings\CD Set\16-854\_EVC Exp\_L7.9 to L7.19\_Construction Details.dwg

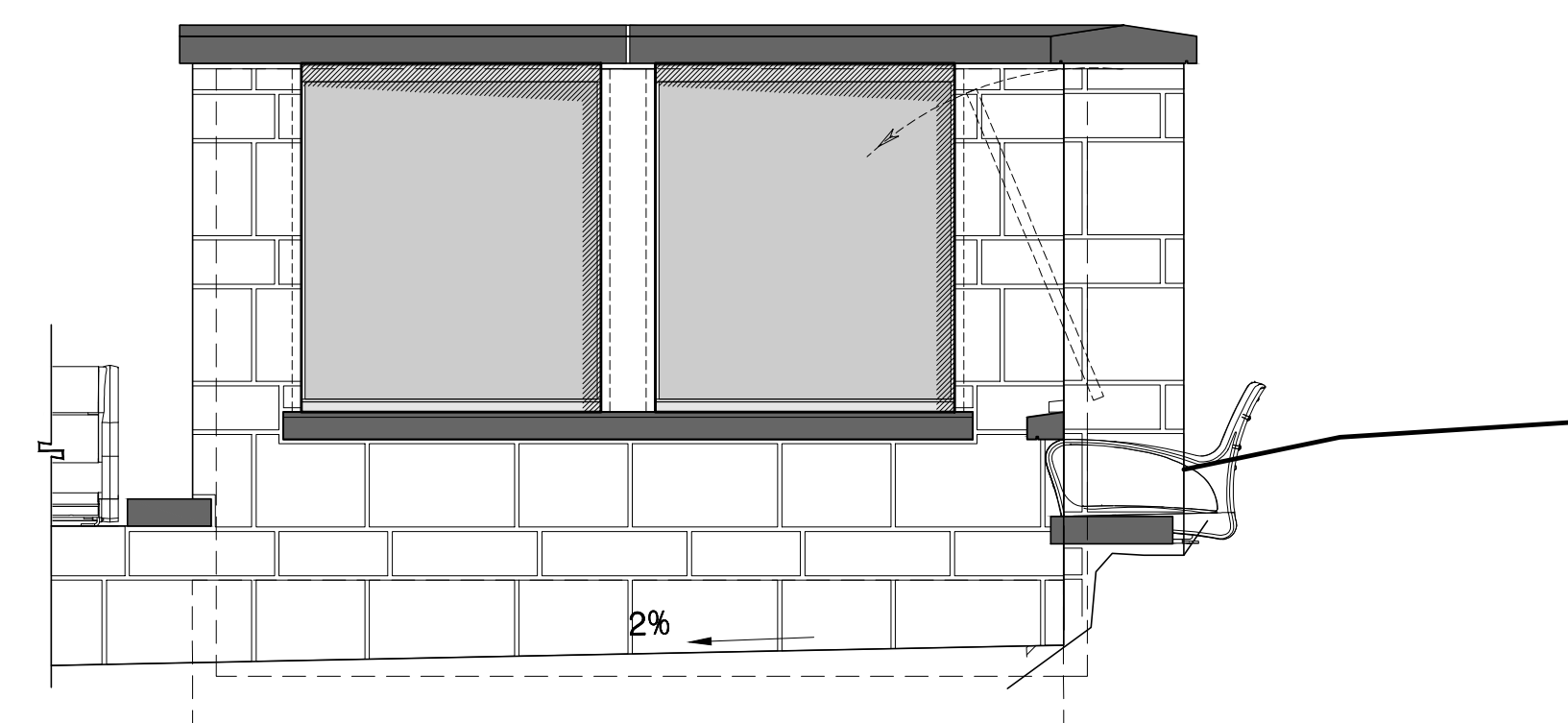


**1A PLAZA MEMORIAL WALL - PLAN**  
L7.9 SCALE: 120

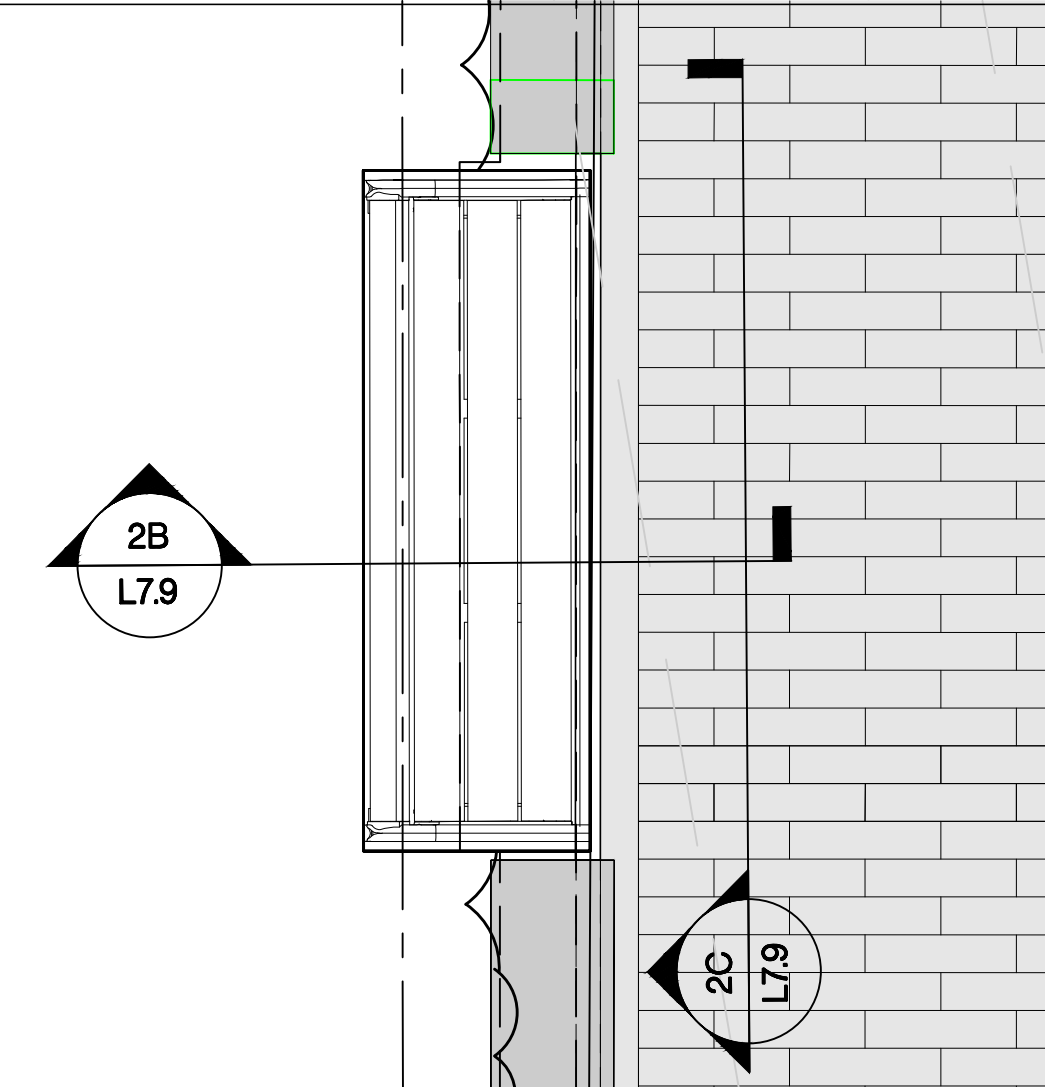


**INSCRIPTION/TEXT NOTES:**  
-TEXT, FONT & SIZE TO BE CONFIRMED

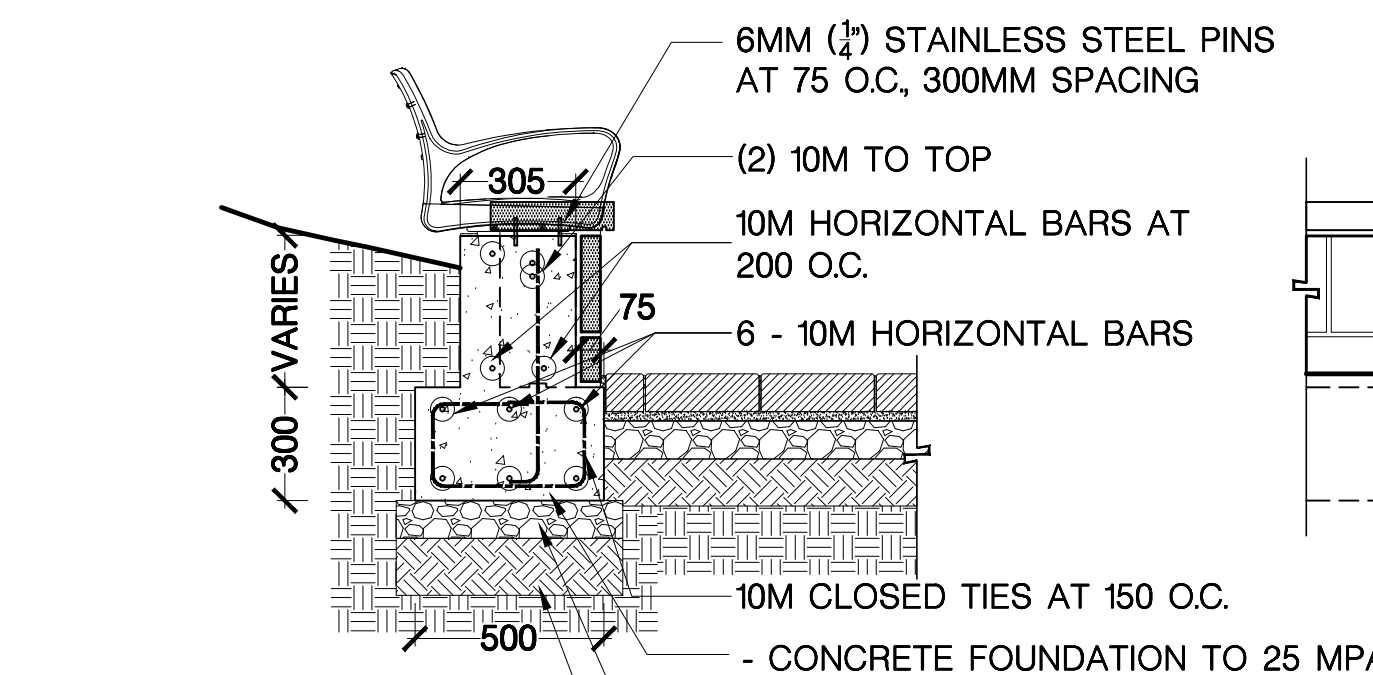
**1B PLAZA MEMORIAL WALL - TYPICAL SECTION ELEVATION**  
L7.9 SCALE: 120



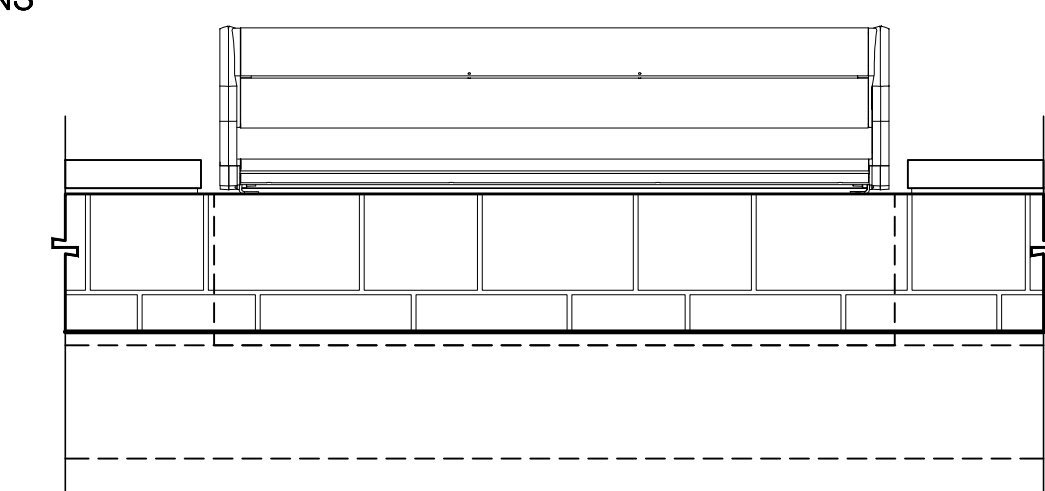
**1C PLAZA MEMORIAL WALL - TYPICAL ELEVATION**  
L7.9 SCALE: 120



**2A TYPICAL PLAZA BENCH - PLAN**  
L7.9 SCALE: 120



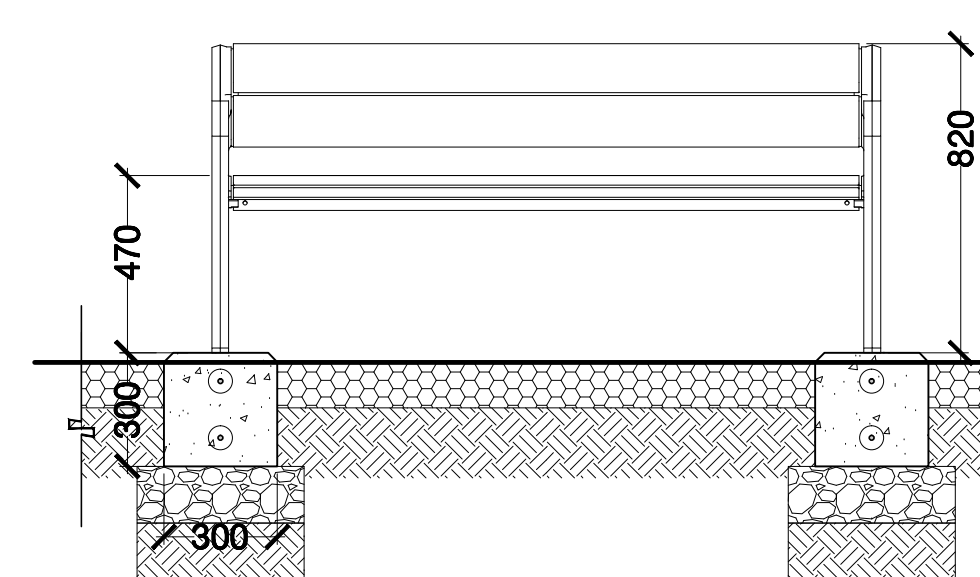
**2B TYPICAL PLAZA BENCH - SECTION**  
L7.9 SCALE: 120



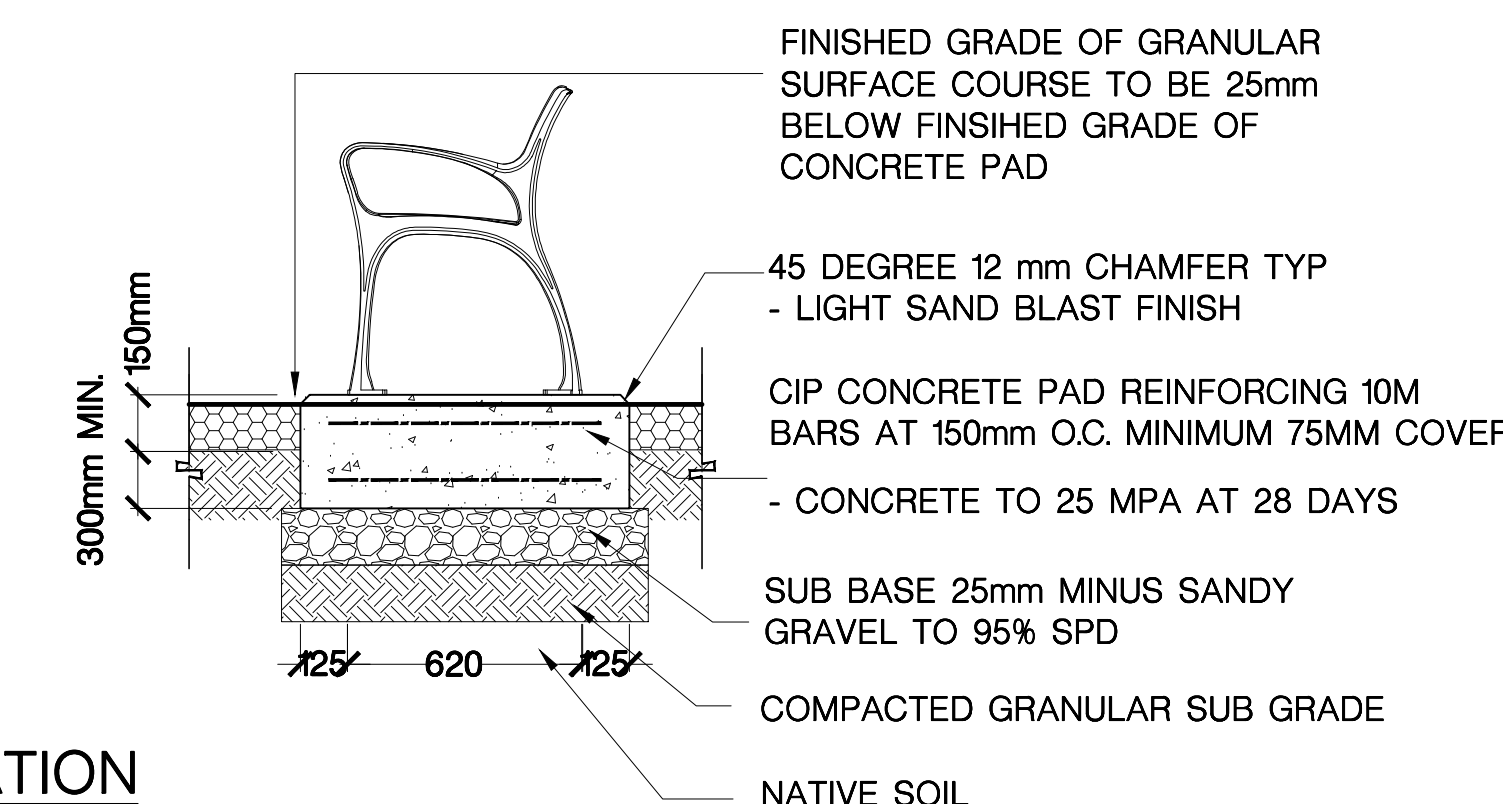
**2C TYPICAL PLAZA BENCH - ELEVATION**  
L7.9 SCALE: 120

**BENCH NOTES:**  
*PER SPECIFICATIONS*  
  
INSTALLATION:  
-BENCH IS PRE-ASSEMBLED. HOLES (0.5") ARE PROVIDED IN EACH FOOT FOR SECURING TO CONCRETE PAD USING ANCHOR BOLTS AND EPOXY ADHESIVE.

**3A TYPICAL WOODLAND BENCH - PLAN**  
L7.9 SCALE: 120



**3B TYPICAL WOODLAND BENCH - ELEVATION**  
L7.9 SCALE: 120



**3C TYPICAL WOODLAND BENCH - SECTION**  
L7.9 SCALE: 120

**GENERAL FOUNDATION NOTES:**  
FOUNDATIONS TO COLUMBARIA, C.I.P. CONCRETE RETAINING WALLS AND MEMORIAL WALLS

**SUPPORTED ON STIFF NATIVE CLAYS:**

- COMPACTED GRANULAR SOIL SUB GRADE
- MIN. 150mm (6") OF FREE DRAINING, 25mm MINUS SANDY GRAVEL (WITH LESS THAN 5% PASSING THE 0.075mm COMPACTED TO 95% SPD)
- CONCRETE FOUNDATION TO 25 MPA AT 28 DAYS, TO BE CONFIRMED BY ENGINEER

**SUPPORTED ON BEDROCK:**

- IF ENCOUNTERED PLACING FOUNDATIONS DIRECTLY ONTO BEDROCK IS ACCEPTABLE, AFTER INSPECTION BY ENGINEER.



**COLUMBARIA SHOWN ARE FOR REFERENCE ONLY, NOT INCLUDED IN THIS CONTRACT**

Revision/Revision	Description/Description	Date/Date
12	100% CONSTRUCTION DRAWINGS	16/12/15
11	100% CONSTRUCTION DRAWINGS	16/11/28
10	100% CONSTRUCTION DRAWINGS	16/11/18
9	100% CONSTRUCTION DRAWINGS	16/11/04
8	100% CONSTRUCTION DRAWINGS	16/10/12
7	100% CONSTRUCTION DRAWINGS ISSUED FOR REVIEW	16/09/23
6	99% CONSTRUCTION DRAWINGS ISSUED FOR REVIEW	16/09/07
5	99% CONSTRUCTION DRAWINGS ISSUED FOR REVIEW	16/08/05
4	99% CONSTRUCTION DRAWINGS ISSUED FOR REVIEW	16/07/04
3	99% CONSTRUCTION DRAWINGS ISSUED FOR REVIEW	16/06/24
2	66% CONSTRUCTION DRAWINGS ISSUED FOR REVIEW	16/06/09
1	33% CONSTRUCTION DRAWINGS ISSUED FOR REVIEW	16/06/01

Client/client: Veterans Affairs Canada / Anciens Combattants Canada

Project title/Titre du projet: **ESQUIMALT, B.C. VETERANS DRIVE ESQUIMALT VETERANS CEMETERY EXPANSION**

Consultant Signature Box Only  
Designed by/Concept par: **LEES + ASSOCIATES**  
Drawn by/Dessiné par: **LEES + ASSOCIATES / DATE (2016.12.15)**  
PWGSC Project Manager/Administrateur de Projets TPSGC: **REZA HAGHIGHI**

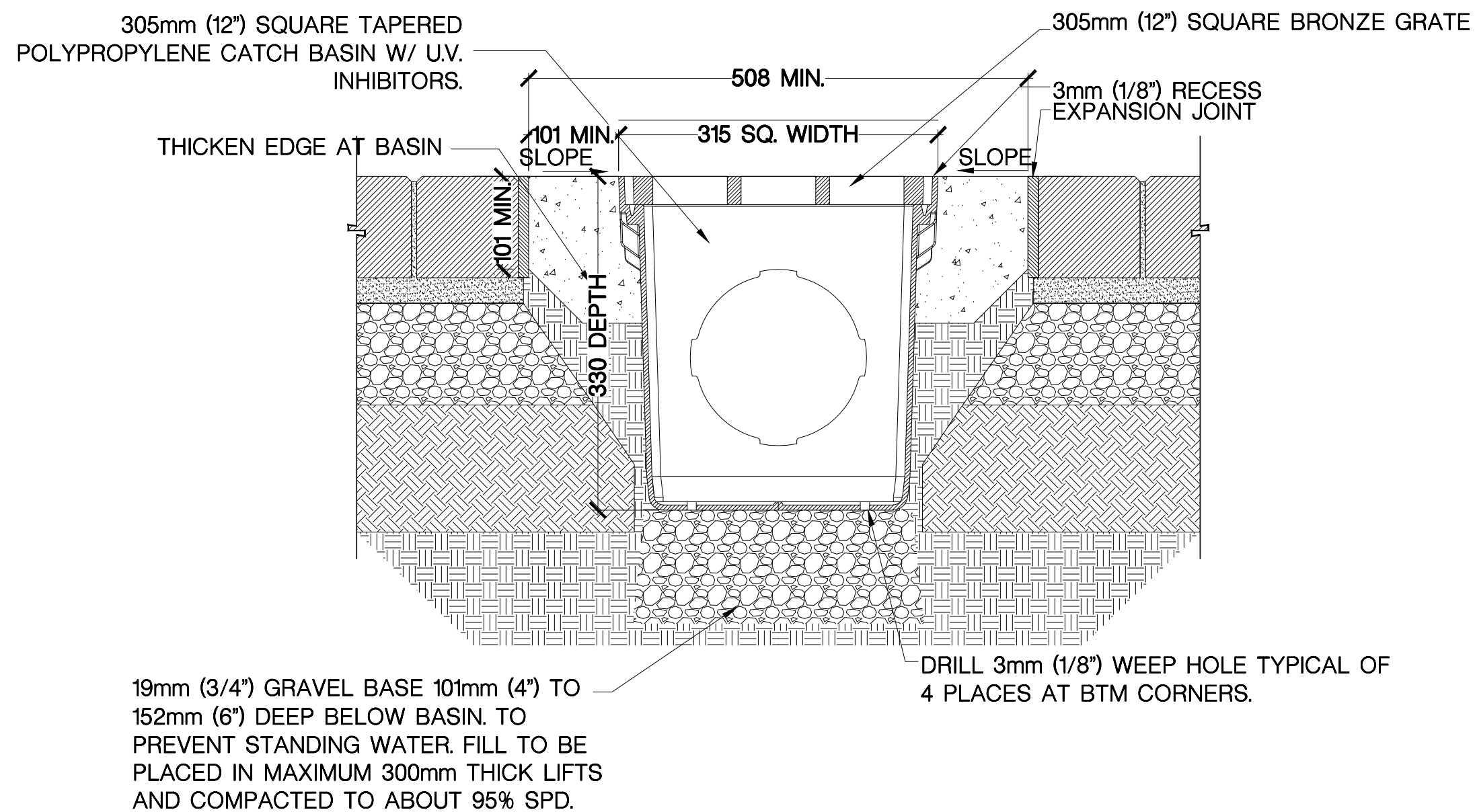
PWGSC, Regional Manager, Architectural and Engineering Services / Gestionnaire régionale, Services d'architecture et de génie, TPSGC

Drawing title/Titre du dessin: **CONSTRUCTION DETAILS PLAZA MEMORIAL WALL & BENCHES**

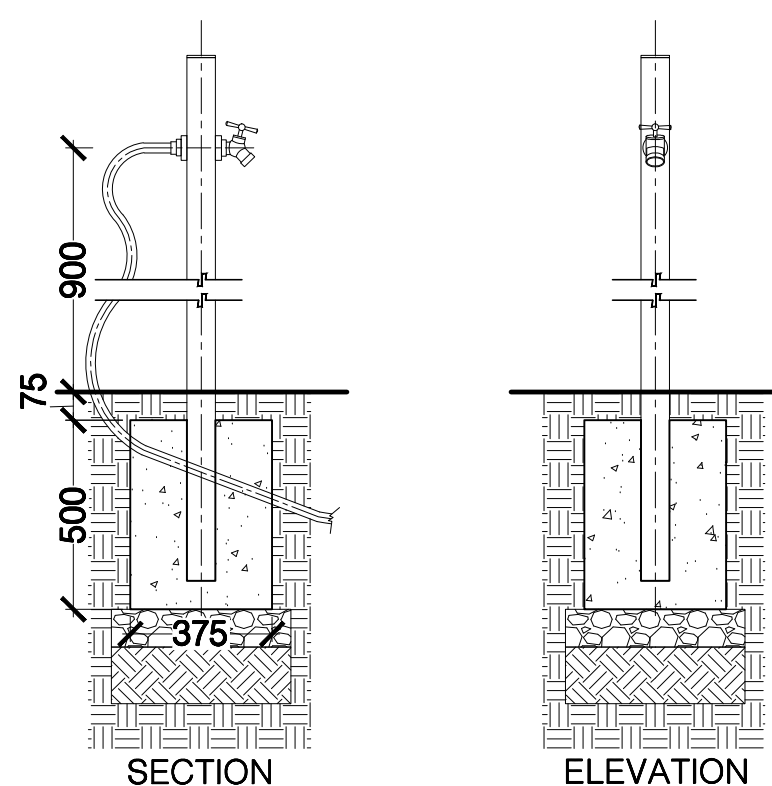
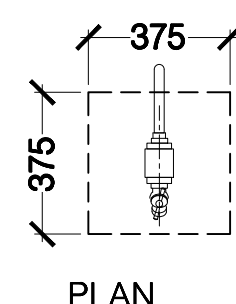
Project No./No. du projet: **R.080256.003.** Sheet/Feuille: **L7.9** Revision no./La Révision no.: **12**  
**24 OF 33**



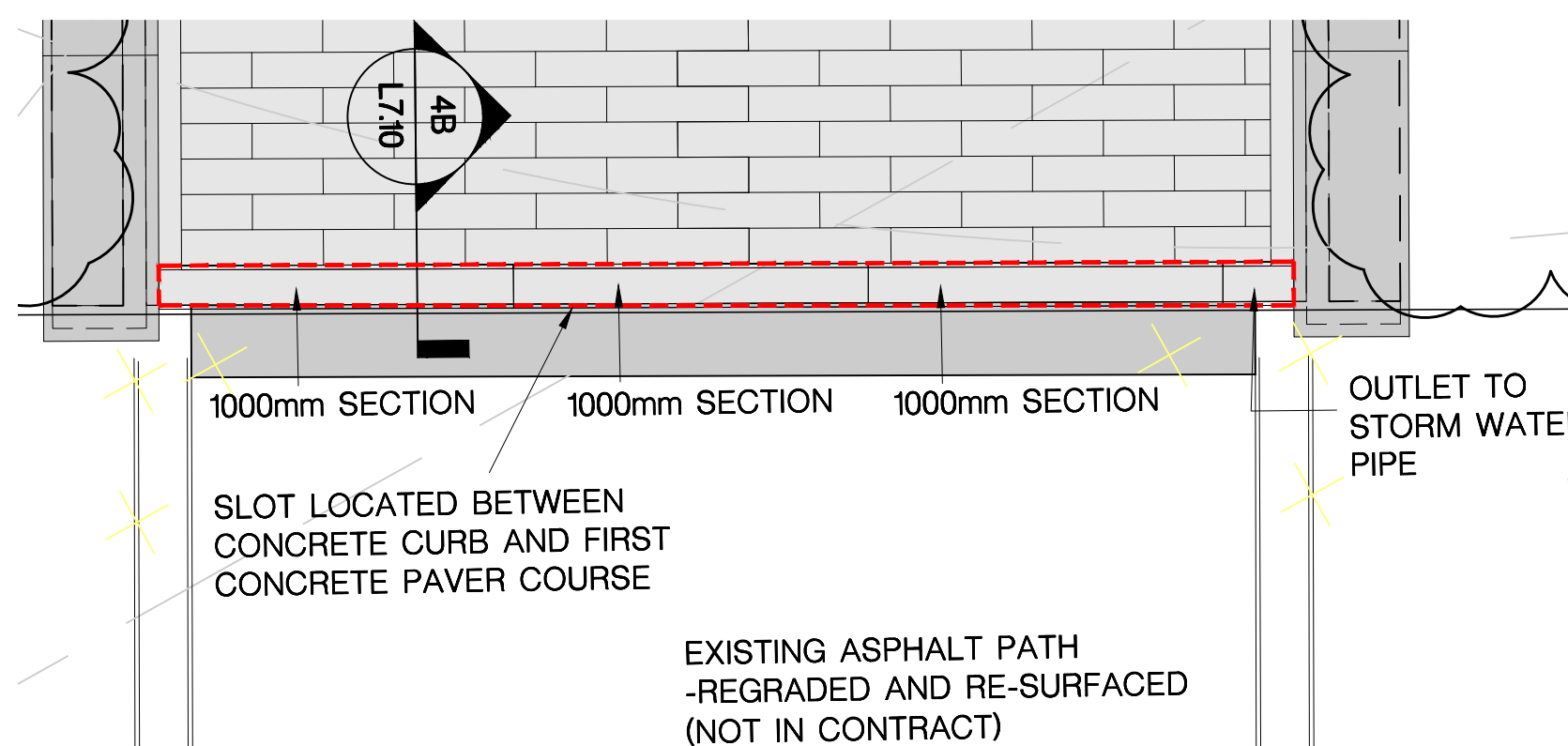
Z:\Active Clients\Public Works and Government Services Canada\16-854 God's Acre Veterans Cemetery Esquimalt\6\_CAD\Working Drawings\CD Set\16-854\_EVC\_Exp\_L7.5 to L7.19\_Construction Details.dwg



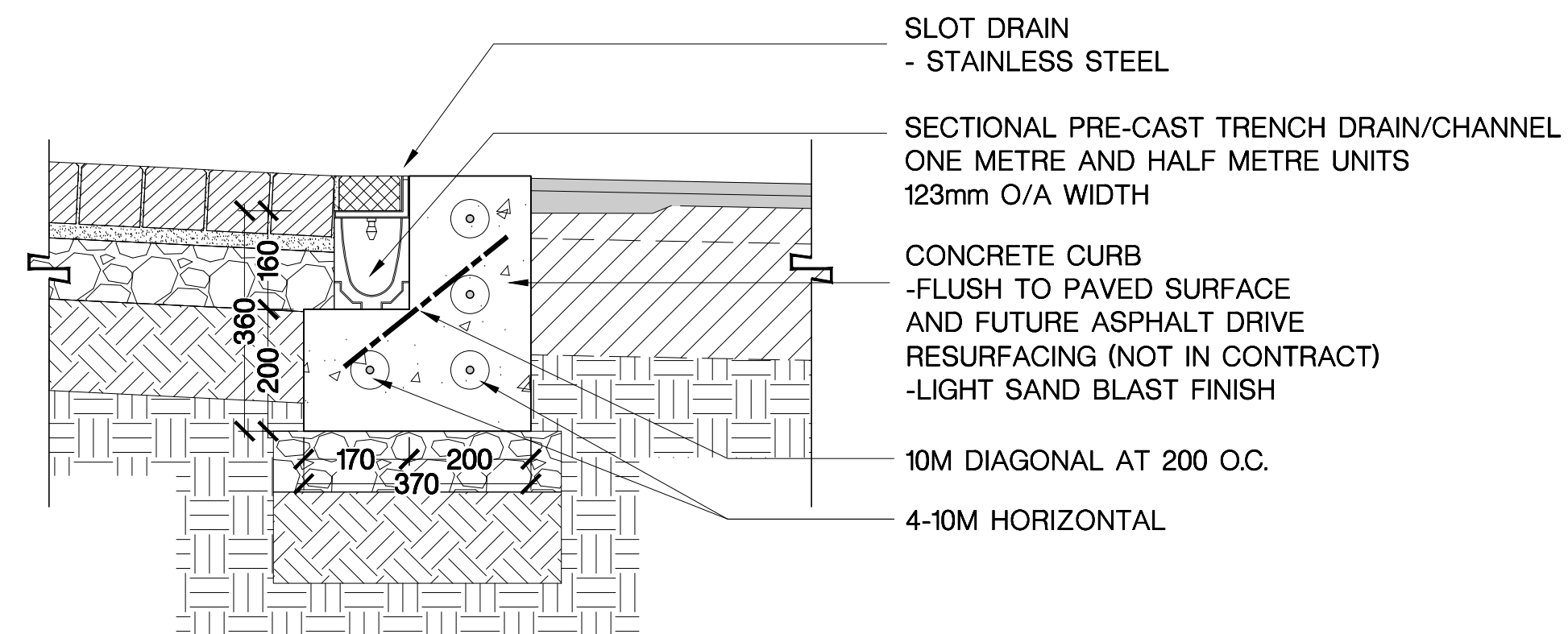
**2** AREA DRAINAGE TYPICAL DETAILS  
L7.10 SCALE: 1:5



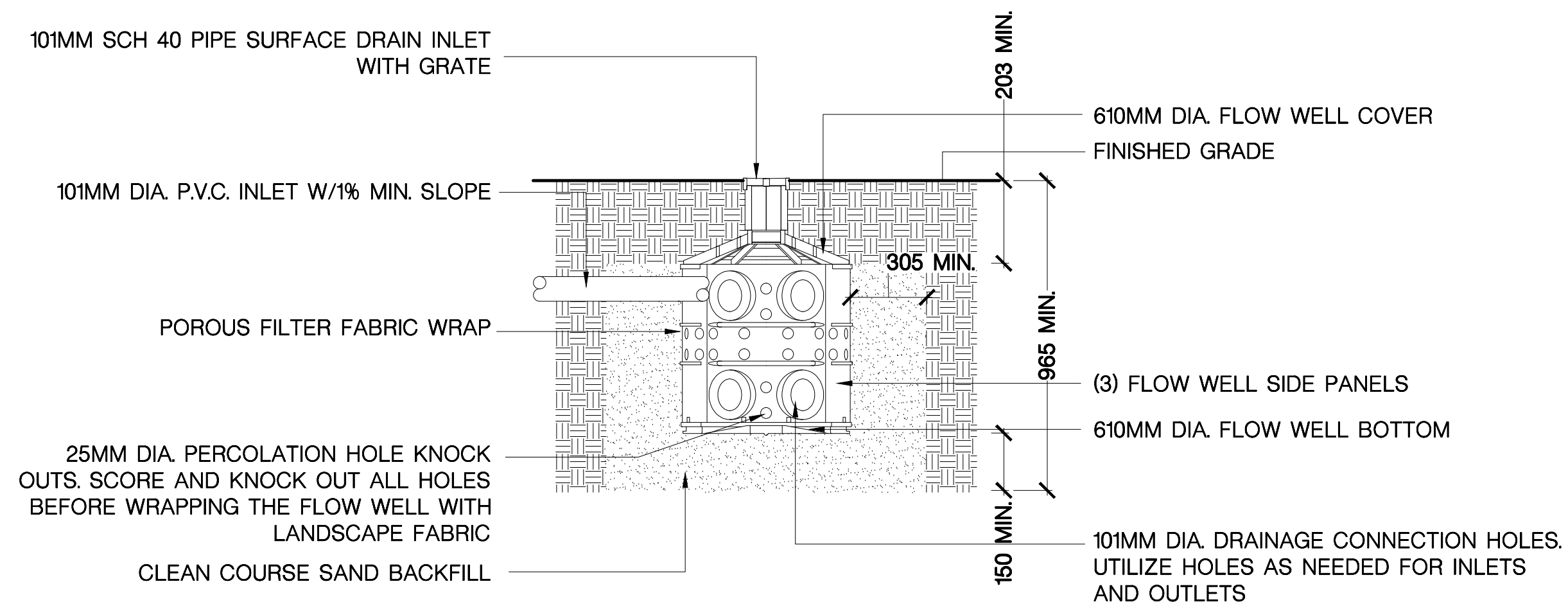
**3** HOSE BIB EXTENDER TYPICAL DETAILS  
L7.10 SCALE: 1:20



**4A** SLOT DRAIN LOCATION PLAN  
L7.10 SCALE: 1:20



**4B** SLOT DRAIN TYPICAL DETAILS  
L7.10 SCALE: 1:10



**5** DRY WELL TYPICAL DETAILS  
L7.10 SCALE: 1:20

GENERAL FOUNDATION NOTES:  
FOUNDATIONS TO COLUMBARIA, C.I.P. CONCRETE RETAINING WALLS AND MEMORIAL WALLS

SUPPORTED ON STIFF NATIVE CLAYS:

- COMPACTED GRANULAR SOIL SUB GRADE
- MIN. 150mm (6") OF FREE DRAINING, 25mm MINUS SANDY GRAVEL (WITH LESS THAN 5% PASSING THE 0.075mm COMPACTED TO 95% SPD)
- CONCRETE FOUNDATION TO 25 MPA AT 28 DAYS, TO BE CONFIRMED BY ENGINEER

SUPPORTED ON BEDROCK:

- IF ENCOUNTERED PLACING FOUNDATIONS DIRECTLY ONTO BEDROCK IS ACCEPTABLE, AFTER INSPECTION BY ENGINEER.



COLUMBARIA SHOWN ARE FOR REFERENCE ONLY, NOT INCLUDED IN THIS CONTRACT

Revision/Revision	Description/Description	Date/Date
12	100% CONSTRUCTION DRAWINGS	16/12/15
11	100% CONSTRUCTION DRAWINGS	16/11/28
10	100% CONSTRUCTION DRAWINGS	16/11/18
9	100% CONSTRUCTION DRAWINGS	16/11/04
8	100% CONSTRUCTION DRAWINGS	16/10/12
7	100% CONSTRUCTION DRAWINGS ISSUED FOR REVIEW	16/09/23
6	99% CONSTRUCTION DRAWINGS ISSUED FOR REVIEW	16/09/07
5	99% CONSTRUCTION DRAWINGS ISSUED FOR REVIEW	16/08/05
4	99% CONSTRUCTION DRAWINGS ISSUED FOR REVIEW	16/07/04
3	99% CONSTRUCTION DRAWINGS ISSUED FOR REVIEW	16/06/24
2	66% CONSTRUCTION DRAWINGS ISSUED FOR REVIEW	16/06/09
1	33% CONSTRUCTION DRAWINGS ISSUED FOR REVIEW	16/06/01

Client/client: Veterans Affairs Canada / Anciens Combattants Canada

Project title/Titre du projet: **ESQUIMALT, B.C. VETERANS DRIVE ESQUIMALT VETERANS CEMETERY EXPANSION**

Consultant Signature Box Only

Designed by/Concept par: **LEES + ASSOCIATES**

Drawn by/Dessiné par: **LEES + ASSOCIATES / DATE (2016.12.15)**

PWGSC Project Manager/Administrateur de Projets TPSGC: **REZA HAGHIGHI**

PWGSC, Regional Manager, Architectural and Engineering Services/Gestionnaire régionale, Services d'architecture et de génie, TPSGC

Drawing title/Titre du dessin: **CONSTRUCTION DETAILS DRAINAGE DETAILS**

Z:\Active Clients\Public Works and Government Services Canada\16-854 God's Acre Veterans Cemetery Esquimalt\6\_CAD\Working Drawings\CD Set\16-854\_EVC Exp\_L7.5 to L7.19\_Construction Details.dwg

**GENERAL FOUNDATION NOTES:**  
 FOUNDATIONS TO COLUMBARIA, C.I.P. CONCRETE RETAINING WALLS AND MEMORIAL WALLS

**SUPPORTED ON STIFF NATIVE CLAYS:**

- COMPACTED GRANULAR SOIL SUB GRADE
- MIN. 150mm (6") OF FREE DRAINING, 25mm MINUS SANDY GRAVEL (WITH LESS THAN 5% PASSING THE 0.075mm COMPACTED TO 95% SPD)
- CONCRETE FOUNDATION TO 25 MPA AT 28 DAYS, TO BE CONFIRMED BY ENGINEER

**SUPPORTED ON BEDROCK:**

- IF ENCOUNTERED PLACING FOUNDATIONS DIRECTLY ONTO BEDROCK IS ACCEPTABLE, AFTER INSPECTION BY ENGINEER.



COLUMBARIA SHOWN ARE FOR REFERENCE ONLY, NOT INCLUDED IN THIS CONTRACT

Revision/Revision	Description/Description	Date/Date
12	100% CONSTRUCTION DRAWINGS	16/12/15
11	100% CONSTRUCTION DRAWINGS	16/11/28
10	100% CONSTRUCTION DRAWINGS	16/11/18
9	100% CONSTRUCTION DRAWINGS	16/11/04
8	100% CONSTRUCTION DRAWINGS	16/10/12
7	100% CONSTRUCTION DRAWINGS ISSUED FOR REVIEW	16/09/23
6	99% CONSTRUCTION DRAWINGS ISSUED FOR REVIEW	16/09/07
5	99% CONSTRUCTION DRAWINGS ISSUED FOR REVIEW	16/08/05
4	99% CONSTRUCTION DRAWINGS ISSUED FOR REVIEW	16/07/04
3	99% CONSTRUCTION DRAWINGS ISSUED FOR REVIEW	16/06/24
2	66% CONSTRUCTION DRAWINGS ISSUED FOR REVIEW	16/06/09
1	33% CONSTRUCTION DRAWINGS ISSUED FOR REVIEW	16/06/01

Client/client

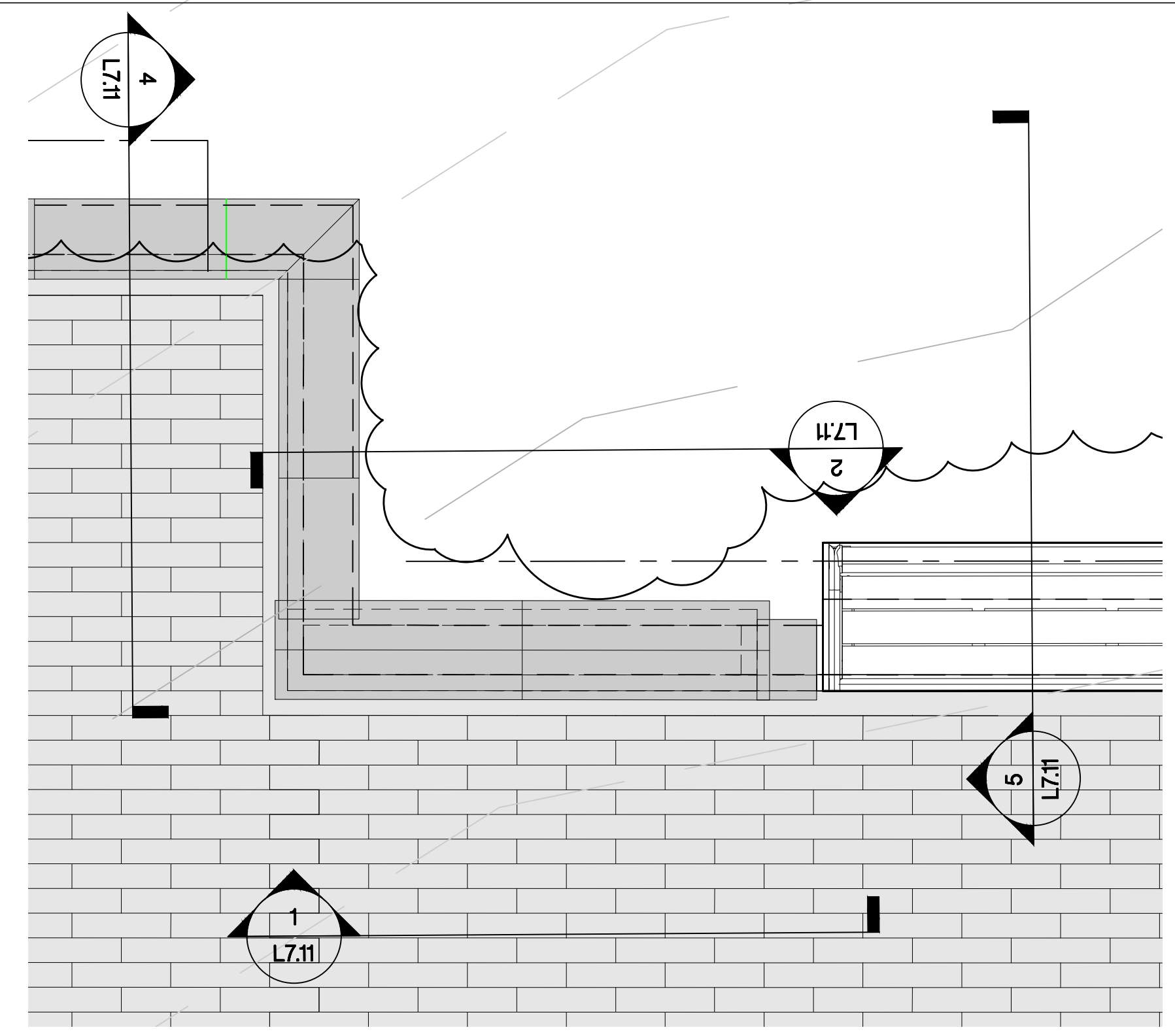
Veterans Affairs Canada / Anciens Combattants Canada

Project title/Titre du projet  
**ESQUIMALT, B.C. VETERANS DRIVE**  
**ESQUIMALT VETERANS CEMETERY EXPANSION**

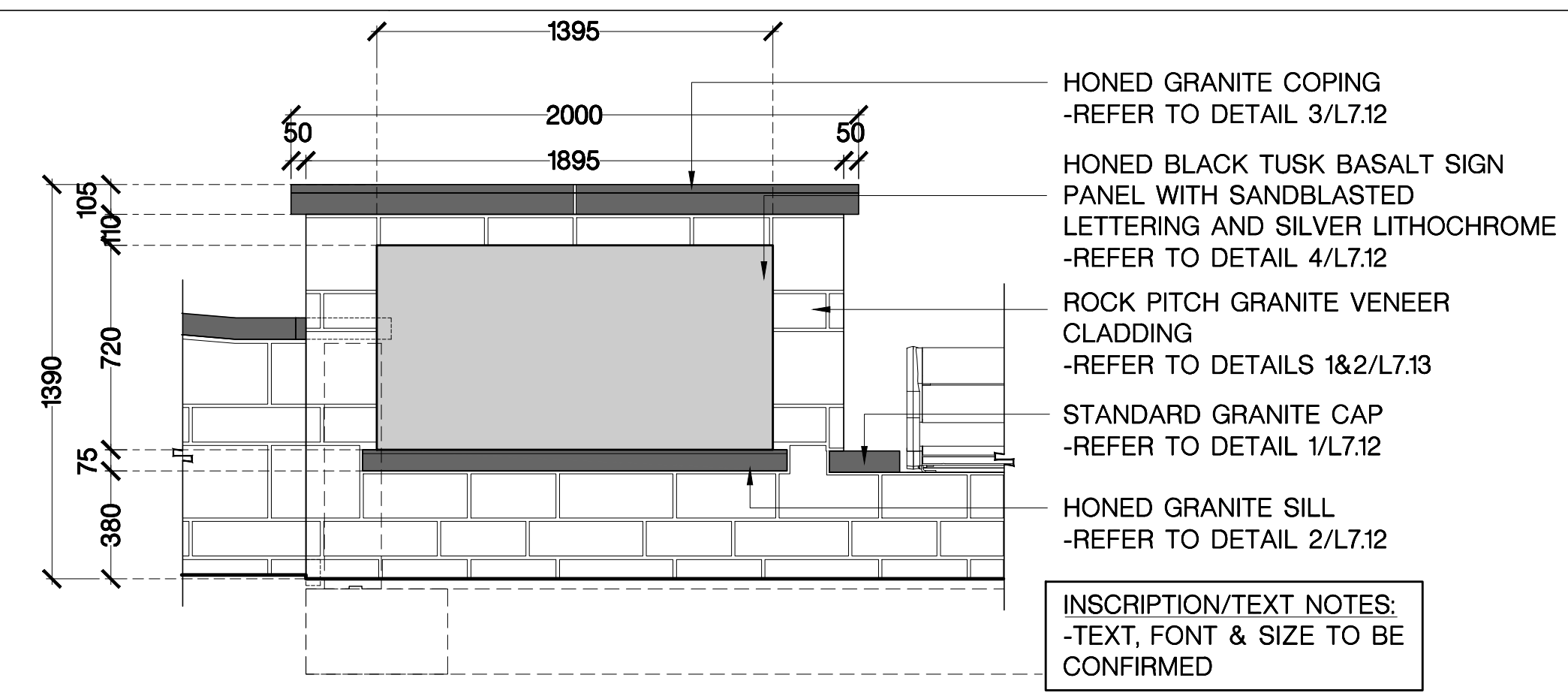
Consultant Signature Box Only  
 Designed by/Concept par  
**LEES + ASSOCIATES**  
 Drawn by/Dessiné par  
**LEES + ASSOCIATES / DATE (2016.12.15)**  
 PWGSC Project Manager/Administrateur de Projets TPSGC  
**REZA HAGHIGHI**  
 PWGSC, Regional Manager, Architectural and Engineering Services/  
 Gestionnaire régionale, Services d'architecture et de génie, TPSGC

Drawing title/Titre du dessin  
**CONSTRUCTION DETAILS**  
**SIGN PANEL**

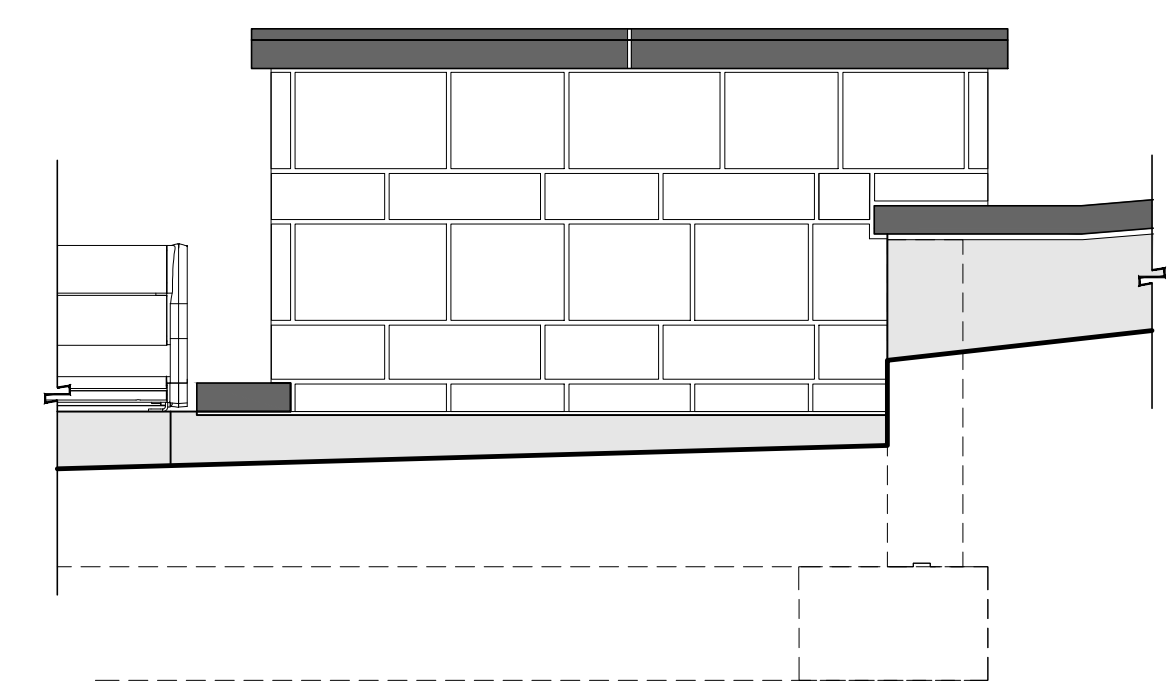
Project No./No. du projet  
**R.080256.003.**  
 Sheet/Feuille  
**L7.11**  
 Revision no./La Révision no.  
**12**  
**26 OF 33**



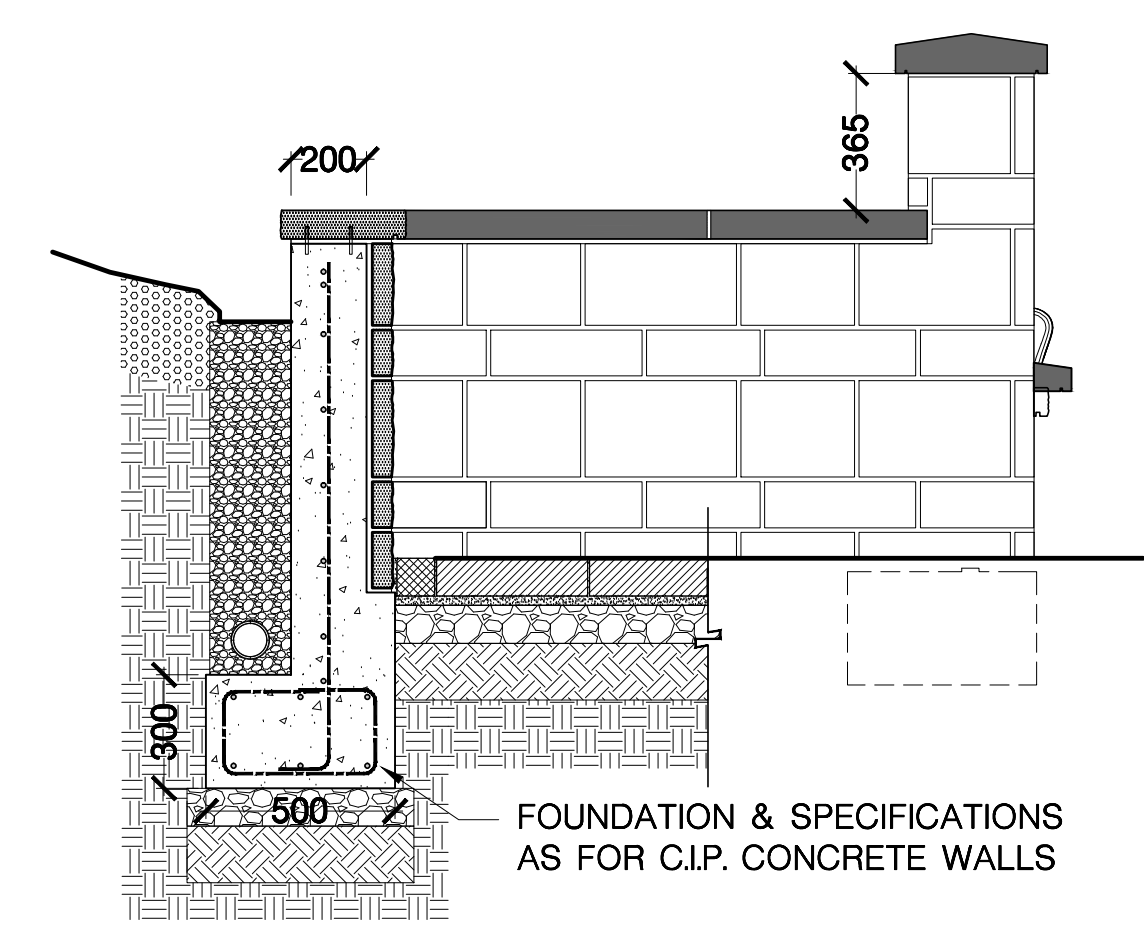
**1 PLAN**  
 SCALE: 120



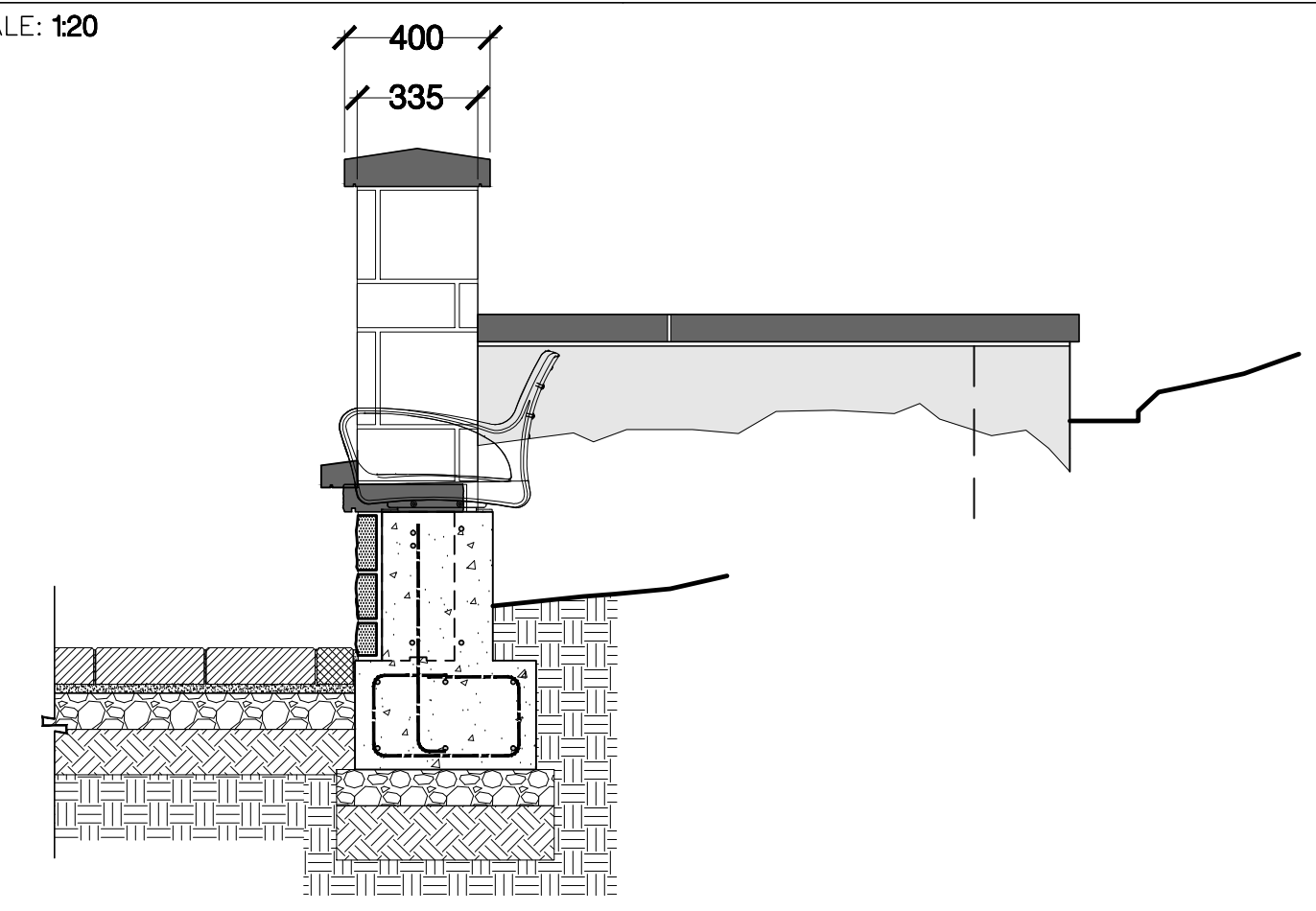
**2 FRONT ELEVATION**  
 SCALE: 120



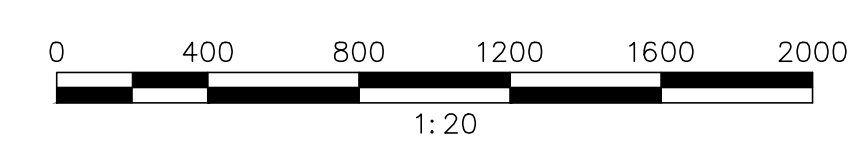
**3 REAR ELEVATION**  
 SCALE: 120



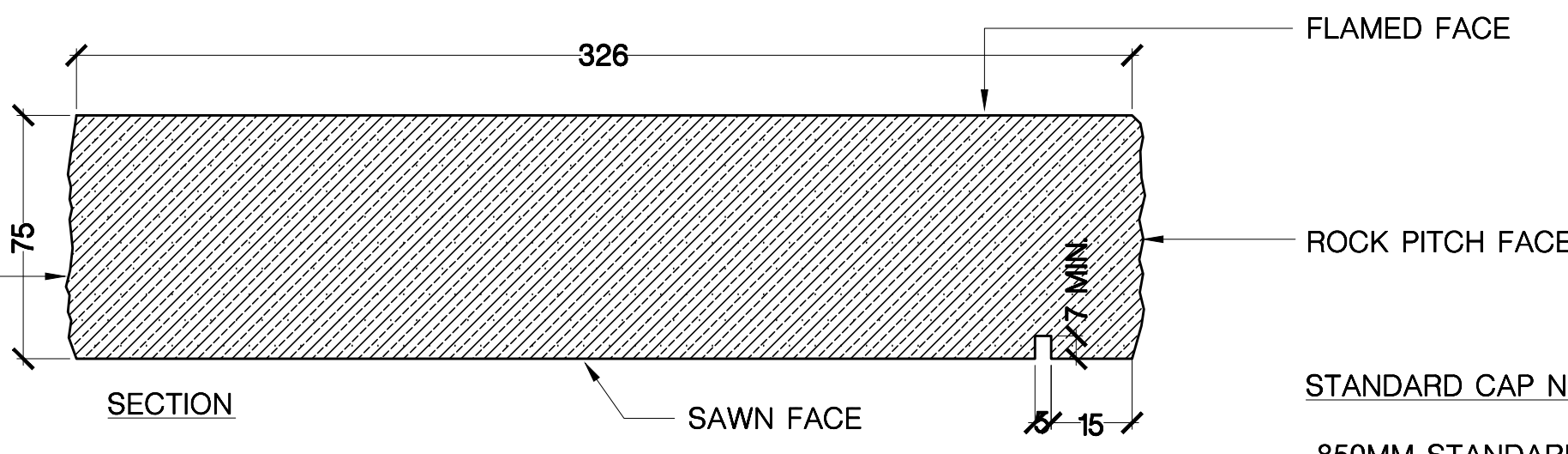
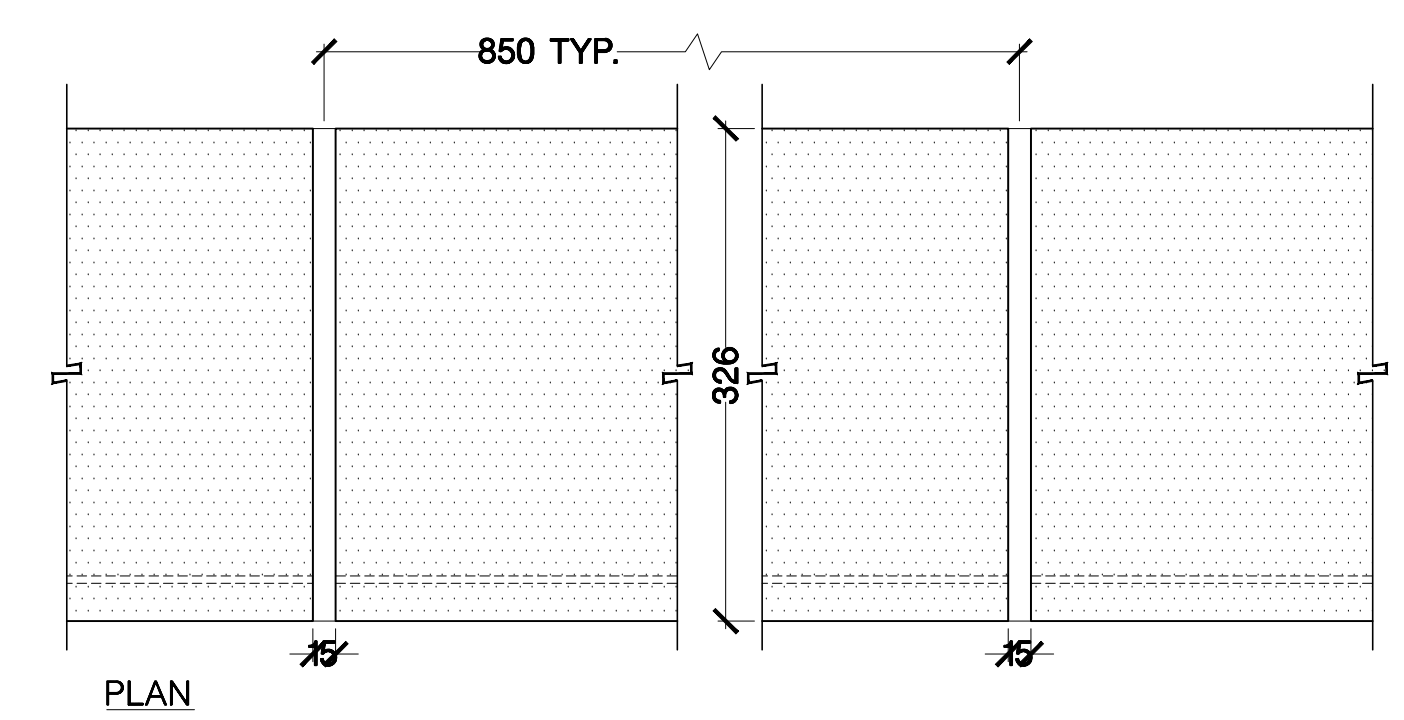
**4 SIDE ELEVATION (North)**  
 SCALE: 120



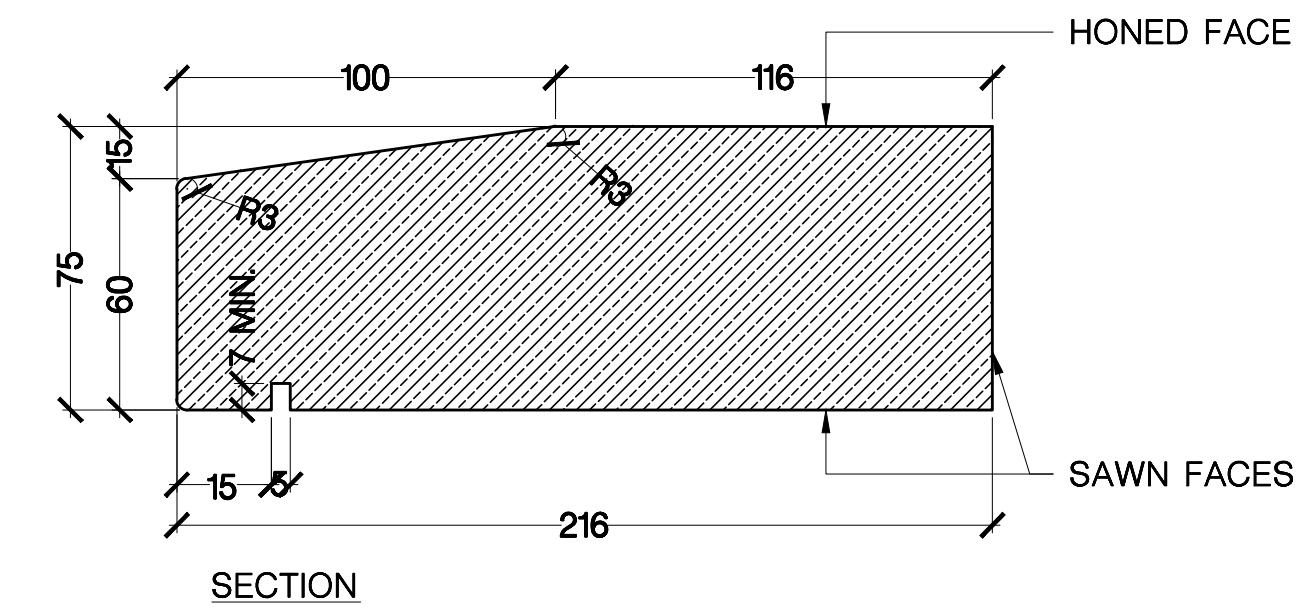
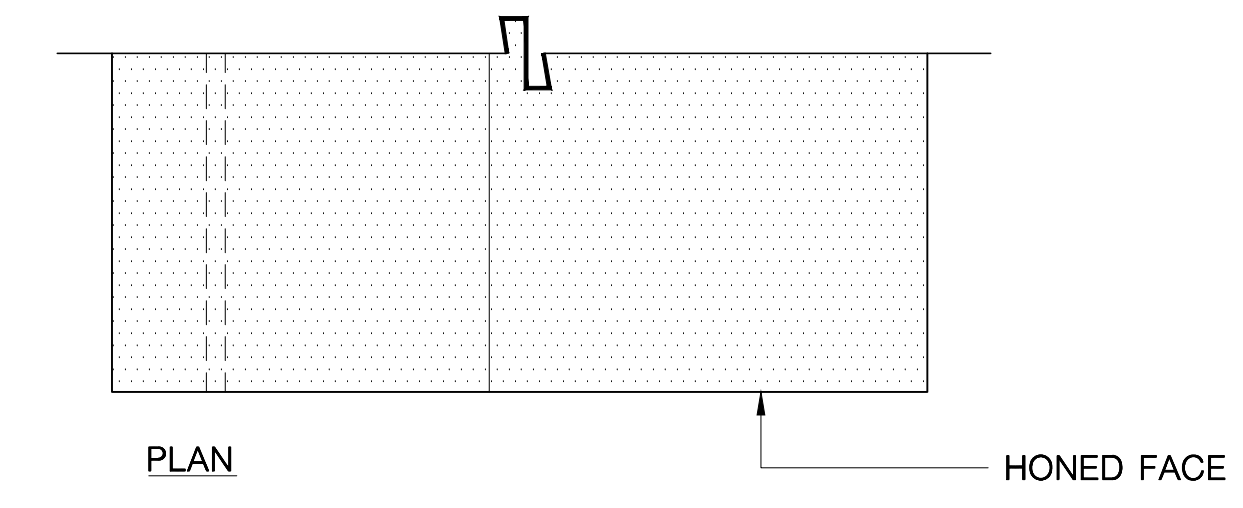
**5 SIDE ELEVATION (South)**  
 SCALE: 120



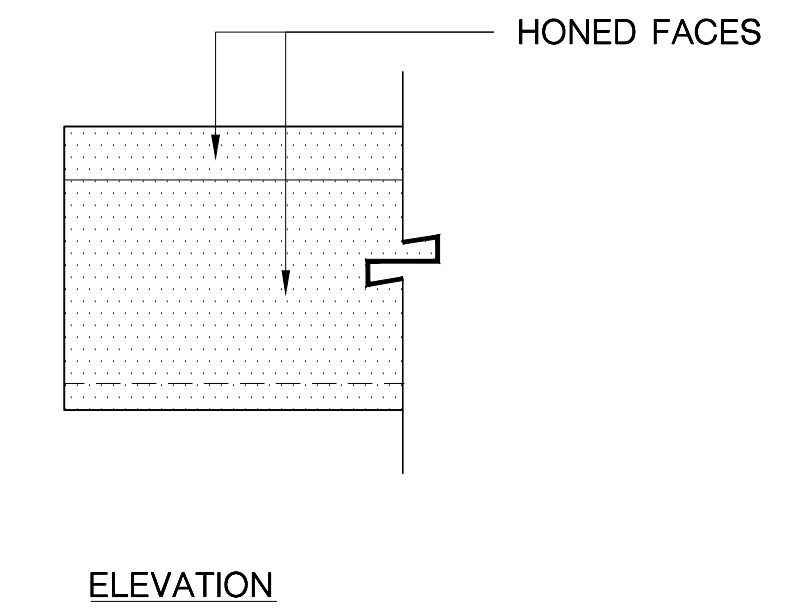
Z:\Active Clients\Public Works and Government Services Canada\16-854 God's Acre Veterans Cemetery Esquimalt\6\_CAD\Working Drawings\CD Set\16-854\_EVC\_Exp\_L7.5 to L7.19\_Construction Details.dwg



**STANDARD CAP NOTES**  
 -850MM STANDARD MODULE LENGTH  
 -PIECES MITRED AT CORNERS  
 -15MM GROUT/ADHESIVE JOINTING

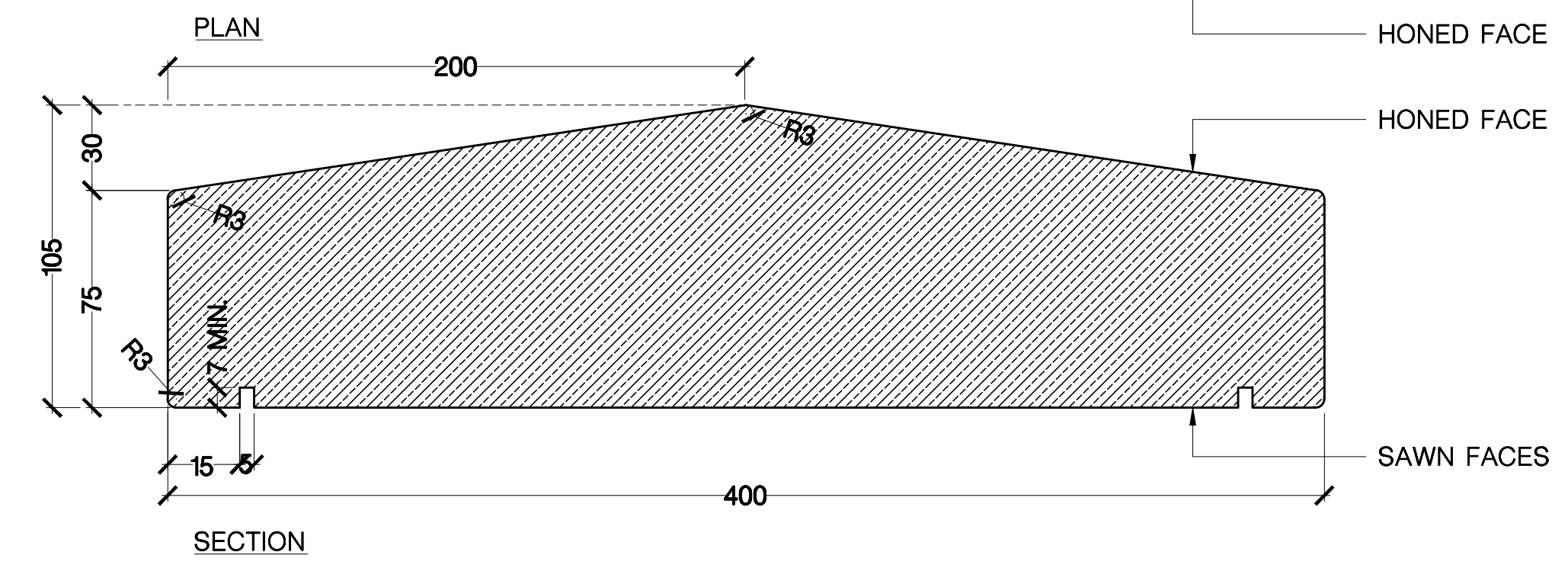
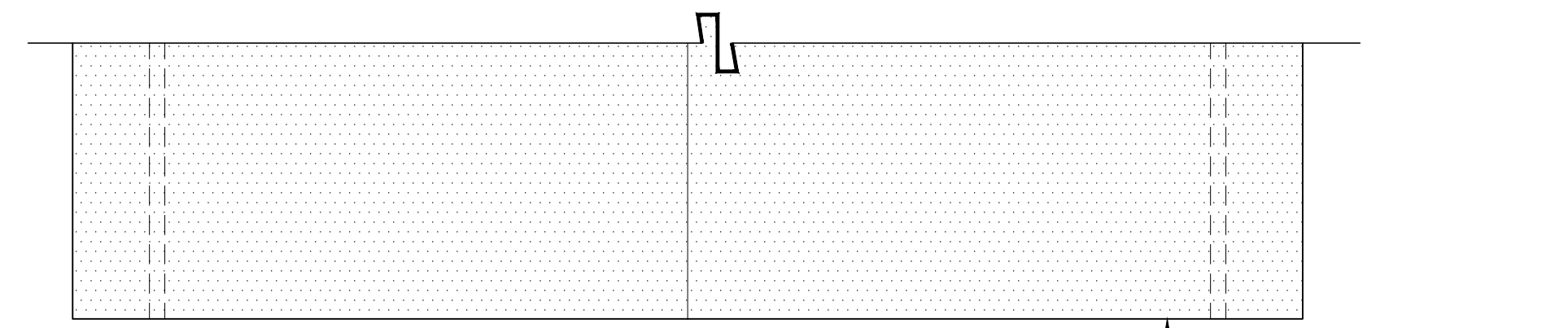


**MEMORIAL/SIGN SILL NOTES**  
 -SIGN PANEL DIMENSIONS (1 MODULE):  
 -1495MM LENGTH  
 -PLAZA MEMORIAL DIMENSIONS (2 MODULES):  
 -1900MM LENGTHS (3800MM TOTAL)  
 -WOODLAND MEMORIAL DIMENSIONS (1 MODULE):  
 -1900MM LENGTH

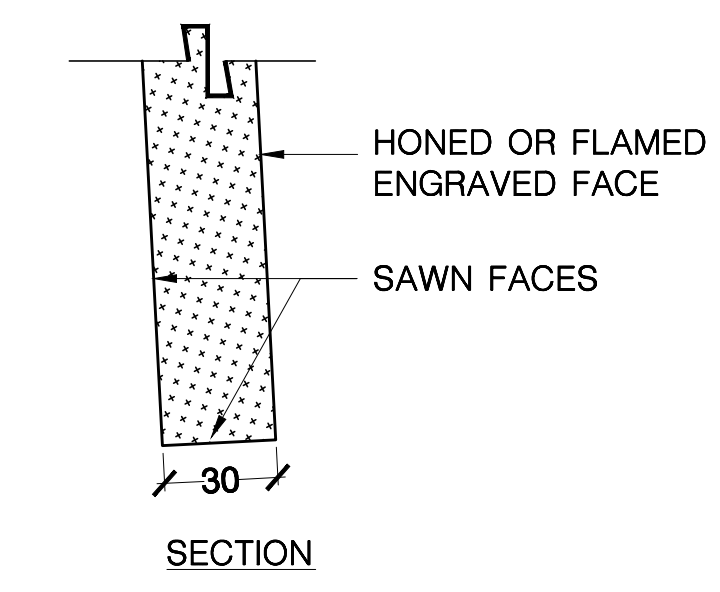
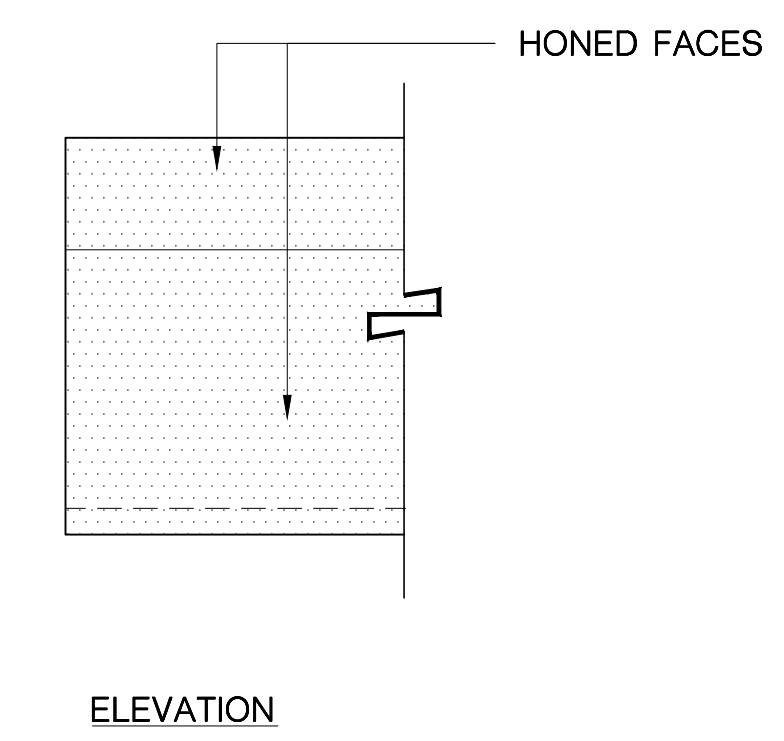


**1 STANDARD G633 GRANITE CAP DETAILS**  
 SCALE: 12/15

**2 MEMORIAL/SIGN G633 GRANITE SILL DETAILS**  
 SCALE: 12



**MEMORIAL/SIGN CAP NOTES**  
 -SIGN PANEL DIMENSIONS (2 MODULES):  
 -2000MM LENGTH  
 -PLAZA MEMORIAL DIMENSIONS (4 MODULES):  
 -2800MM LENGTHS (5600MM TOTAL)  
 -WOODLAND MEMORIAL DIMENSIONS (2 MODULES):  
 -2150MM LENGTH



**MEMORIAL/SIGN PANEL NOTES**  
 -SIGN PANEL DIMENSIONS (1 MODULE):  
 -720mm(H) x 1395mm(W) x 30mm(T)  
 -BLACK TUSK WHISTLER BASALT  
 -HONED FINISH  
 -PLAZA MEMORIAL DIMENSIONS (4 MODULES):  
 -915mm(H) x 825mm(W) x 30mm(T)  
 -BLACK TUSK WHISTLER BASALT  
 -FLAMED FINISH  
 -WOODLAND MEMORIAL DIMENSIONS (2 MODULES):  
 -686mm(H) x 805mm(W) x 30mm(T)  
 -BLACK TUSK WHISTLER BASALT  
 -FLAMED FINISH

**3 MEMORIAL/SIGN G633 GRANITE COPING DETAILS**  
 SCALE: 12

**4 MEMORIAL/SIGN PANEL DETAILS**  
 SCALE: 12

COLUMBARIA SHOWN ARE FOR REFERENCE ONLY, NOT INCLUDED IN THIS CONTRACT

Revision/Revision	Description/Description	Date/Date
12	100% CONSTRUCTION DRAWINGS	16/12/15
11	100% CONSTRUCTION DRAWINGS	16/11/28
10	100% CONSTRUCTION DRAWINGS	16/11/18
9	100% CONSTRUCTION DRAWINGS	16/11/04
8	100% CONSTRUCTION DRAWINGS	16/10/12
7	100% CONSTRUCTION DRAWINGS ISSUED FOR REVIEW	16/09/23
6	99% CONSTRUCTION DRAWINGS ISSUED FOR REVIEW	16/09/07
5	99% CONSTRUCTION DRAWINGS ISSUED FOR REVIEW	16/08/05
4	99% CONSTRUCTION DRAWINGS ISSUED FOR REVIEW	16/07/04
3	99% CONSTRUCTION DRAWINGS ISSUED FOR REVIEW	16/06/24
2	66% CONSTRUCTION DRAWINGS ISSUED FOR REVIEW	16/06/09
1	33% CONSTRUCTION DRAWINGS ISSUED FOR REVIEW	16/06/01

Client/client: Veterans Affairs Canada / Anciens Combattants Canada

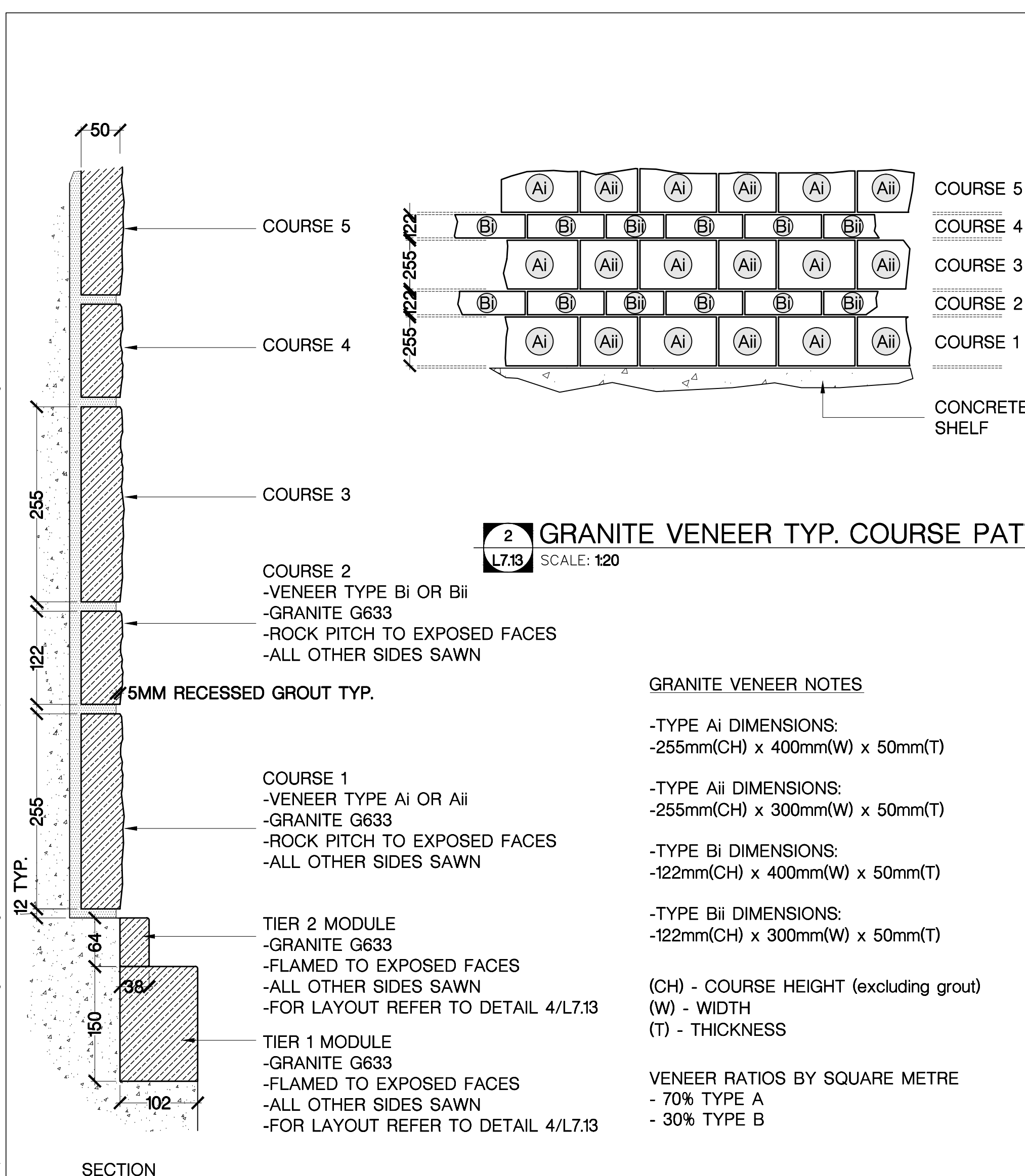
Project title/Titre du projet: **ESQUIMALT, B.C. VETERANS DRIVE ESQUIMALT VETERANS CEMETERY EXPANSION**

Designed by/Concept par: **LEES + ASSOCIATES**  
 Drawn by/Dessiné par: **LEES + ASSOCIATES / DATE (2016.12.15)**  
 PWGSC Project Manager/Administrateur de Projets TPSGC: **REZA HAGHIGHI**  
 PWGSC, Regional Manager, Architectural and Engineering Services/Gestionnaire régionale, Services d'architecture et de génie, TPSGC

Drawing title/Titre du dessin: **CONSTRUCTION DETAILS STONE DIMENSIONS**

Project No./No. du projet: **R.080256.003.** Sheet/Fauille: **L7.12** Revision no./La Révision no.: **12**  
**27 OF 33**

Z:\Active Clients\Public Works and Government Services Canada\16-854 God's Acre Veterans Cemetery Esquimalt\CAD\Working Drawings\CD Set\16-854\_EVC Exp\_L7.5 to L7.19\_Construction Details.dwg



**2 GRANITE VENEER TYP. COURSE PATTERN**  
L7.13 SCALE: 120

- COURSE 5**  
-VENEER TYPE Ai OR Aii  
-GRANITE G633  
-ROCK PITCH TO EXPOSED FACES  
-ALL OTHER SIDES SAWN
- COURSE 4**  
-VENEER TYPE Bi OR Bii  
-GRANITE G633  
-ROCK PITCH TO EXPOSED FACES  
-ALL OTHER SIDES SAWN
- COURSE 3**  
-VENEER TYPE Ai OR Aii  
-GRANITE G633  
-ROCK PITCH TO EXPOSED FACES  
-ALL OTHER SIDES SAWN
- COURSE 2**  
-VENEER TYPE Bi OR Bii  
-GRANITE G633  
-ROCK PITCH TO EXPOSED FACES  
-ALL OTHER SIDES SAWN
- COURSE 1**  
-VENEER TYPE Ai OR Aii  
-GRANITE G633  
-ROCK PITCH TO EXPOSED FACES  
-ALL OTHER SIDES SAWN
- TIER 2 MODULE**  
-GRANITE G633  
-FLAMED TO EXPOSED FACES  
-ALL OTHER SIDES SAWN  
-FOR LAYOUT REFER TO DETAIL 4/L7.13
- TIER 1 MODULE**  
-GRANITE G633  
-FLAMED TO EXPOSED FACES  
-ALL OTHER SIDES SAWN  
-FOR LAYOUT REFER TO DETAIL 4/L7.13

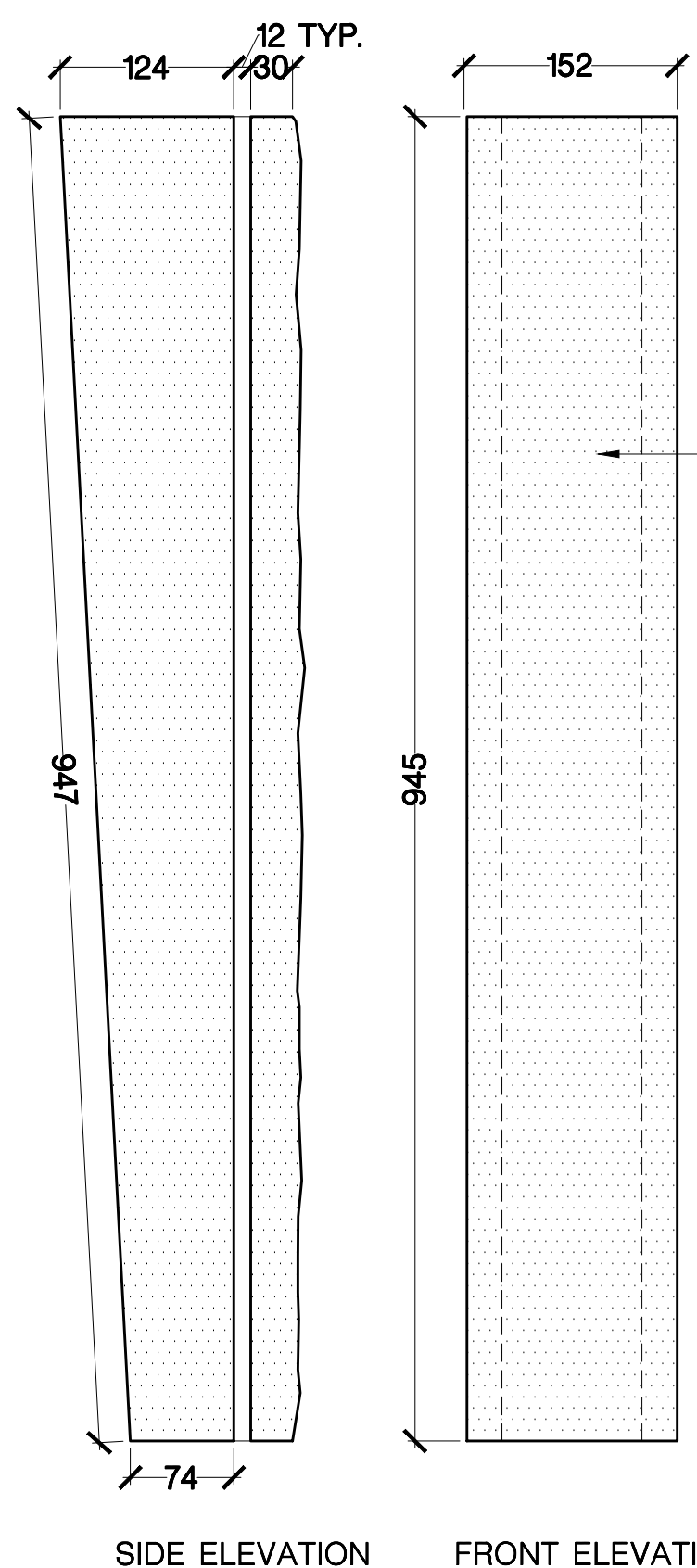
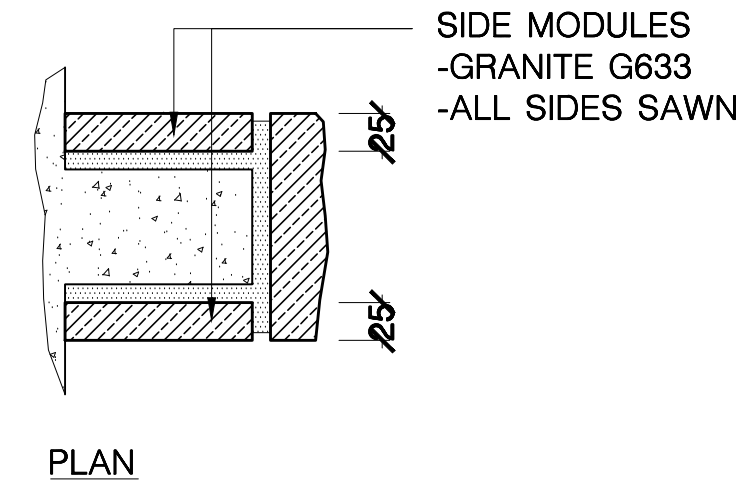
**GRANITE VENEER NOTES**

- TYPE Ai DIMENSIONS:  
-255mm(CH) x 400mm(W) x 50mm(T)
- TYPE Aii DIMENSIONS:  
-255mm(CH) x 300mm(W) x 50mm(T)
- TYPE Bi DIMENSIONS:  
-122mm(CH) x 400mm(W) x 50mm(T)
- TYPE Bii DIMENSIONS:  
-122mm(CH) x 300mm(W) x 50mm(T)

(CH) - COURSE HEIGHT (excluding grout)  
(W) - WIDTH  
(T) - THICKNESS

**VENEER RATIOS BY SQUARE METRE**

- 70% TYPE A
- 30% TYPE B

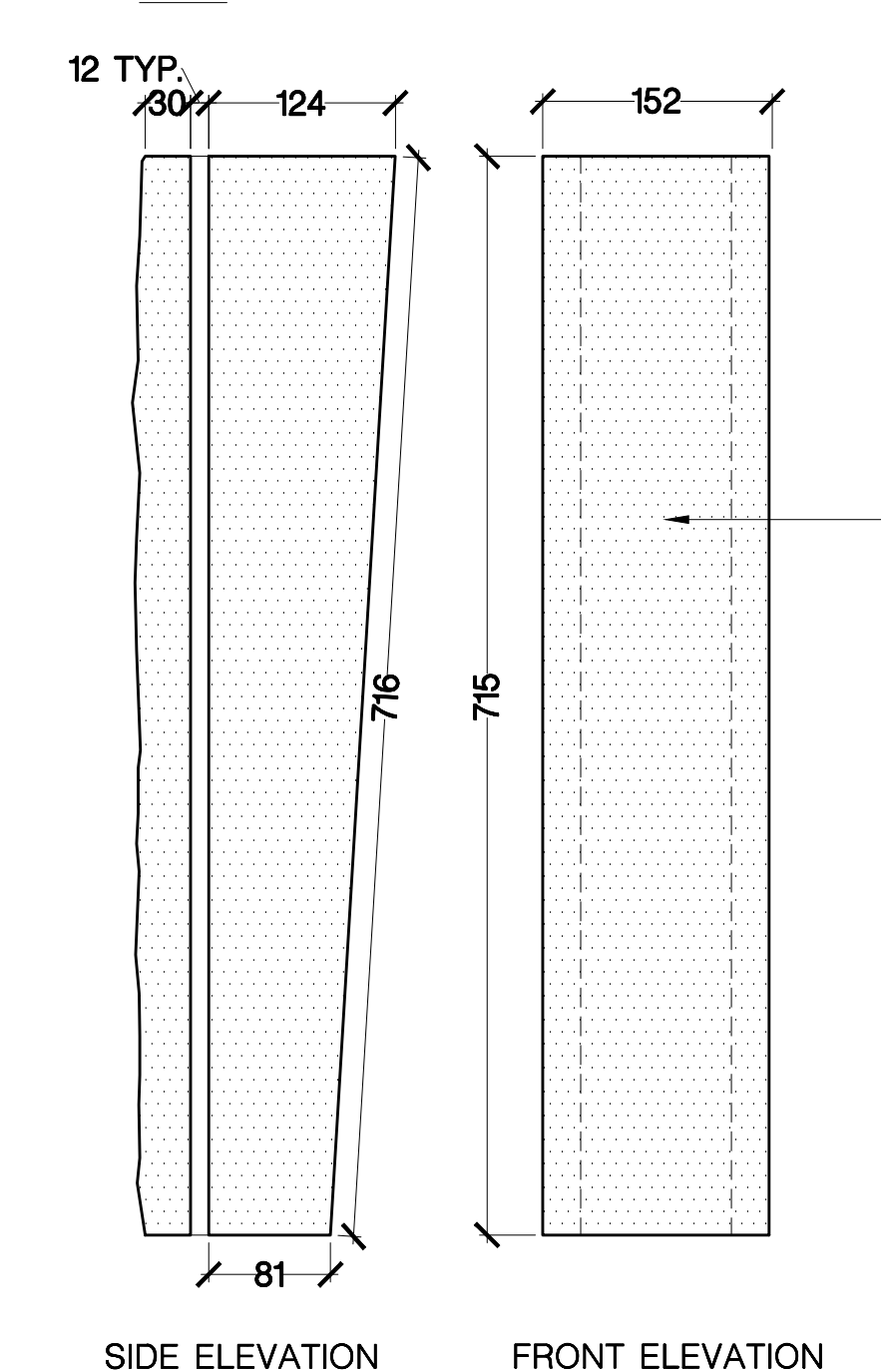
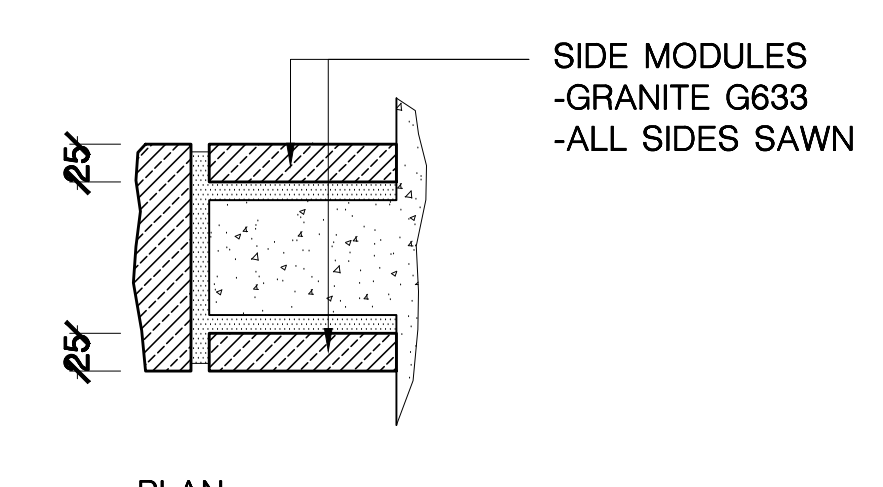


**3 PLAZA MEMORIAL INFILL PANEL DETAILS**  
L7.13 SCALE: 15

**FRONT MODULE**  
-GRANITE G633  
-ROCK PITCH FRONT FACE  
-ALL OTHER SIDES SAWN

**PLAZA MEMORIAL WALL NOTES**

- FRONT MODULE QUANTITY: 2
- SIDE MODULES QUANTITY: 8



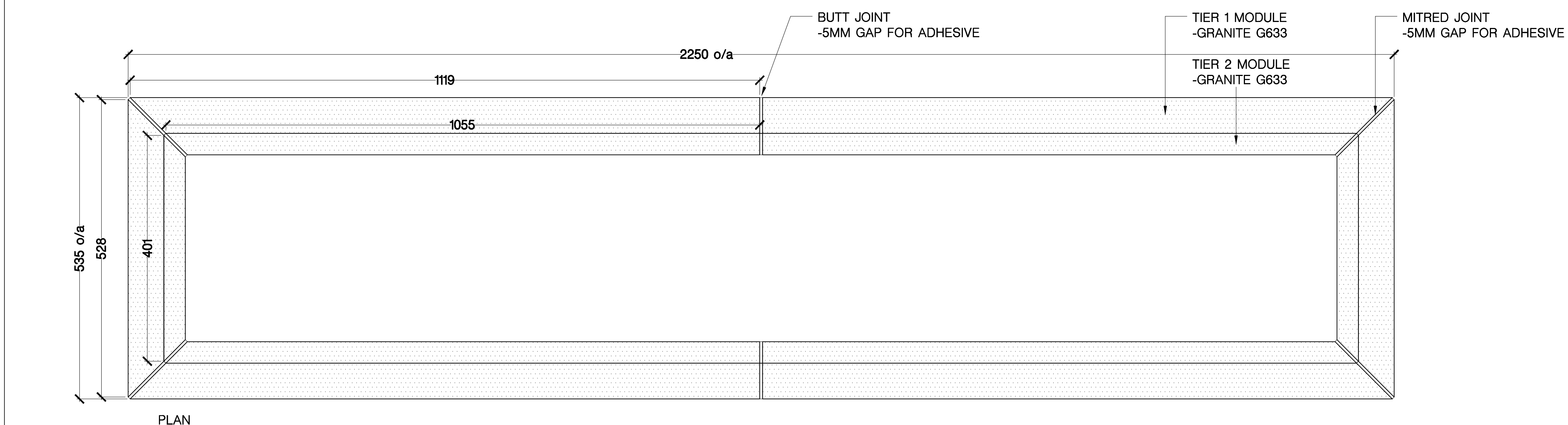
**4 WOODLAND MEMORIAL INFILL PANEL DETAILS**  
L7.13 SCALE: 15

**FRONT MODULE**  
-GRANITE G633  
-ROCK PITCH FRONT FACE  
-ALL OTHER SIDES SAWN

**WOODLAND MEMORIAL WALL NOTES**

- FRONT MODULE QUANTITY: 1
- SIDE MODULES QUANTITY: 4

**1 GRANITE VENEER DETAILS**  
L7.13 SCALE: 15



**5 WOODLAND MEMORIAL BASE MODULE LAYOUT**  
L7.13 SCALE: 15

Public Works and Government Services Canada / Travaux publics et Services gouvernementaux Canada

**REAL PROPERTY SERVICES**  
Pacific Region  
**SERVICES IMMOBILIERS**  
Région de Pacifique

BRITISH COLUMBIA SOCIETY OF LANDSCAPE ARCHITECTS  
REGISTERED MEMBER  
ERIK [Signature]

PROFESSIONAL REGISTER OF B. C. LYTTON  
[Signature]  
APR. 2016

COLUMBARIA SHOWN ARE FOR REFERENCE ONLY, NOT INCLUDED IN THIS CONTRACT

Revision/Revision	Description/Description	Date/Date
12	100% CONSTRUCTION DRAWINGS	16/12/15
11	100% CONSTRUCTION DRAWINGS	16/11/28
10	100% CONSTRUCTION DRAWINGS	16/11/18
9	100% CONSTRUCTION DRAWINGS	16/11/04
8	100% CONSTRUCTION DRAWINGS	16/10/12
7	100% CONSTRUCTION DRAWINGS ISSUED FOR REVIEW	16/09/23
6	99% CONSTRUCTION DRAWINGS ISSUED FOR REVIEW	16/09/07
5	99% CONSTRUCTION DRAWINGS ISSUED FOR REVIEW	16/08/05
4	99% CONSTRUCTION DRAWINGS ISSUED FOR REVIEW	16/07/04
3	99% CONSTRUCTION DRAWINGS ISSUED FOR REVIEW	16/06/24
2	66% CONSTRUCTION DRAWINGS ISSUED FOR REVIEW	16/06/09
1	33% CONSTRUCTION DRAWINGS ISSUED FOR REVIEW	16/06/01

Client/client  
Veterans Affairs Canada / Anciens Combattants Canada

Project title/Titre du projet  
**ESQUIMALT, B.C. VETERANS DRIVE**  
**ESQUIMALT VETERANS CEMETERY EXPANSION**

Consultant Signature Box Only

Designed by/Concept par  
**LEES + ASSOCIATES**

Drawn by/Dessiné par  
**LEES + ASSOCIATES / DATE (2016.12.15)**

PWGSC Project Manager/Administrateur de Projets TPSGC  
**REZA HAGHIGHI**

PWGSC, Regional Manager, Architectural and Engineering Services/  
Gestionnaire régionale, Services d'architectural et de génie, TPSGC

Drawing title/Titre du dessin  
**CONSTRUCTION DETAILS**  
**STONE DIMENSIONS**

Project No./No. du projet  
**R.080256.003.**

Sheet/Feuille  
**L7.13**

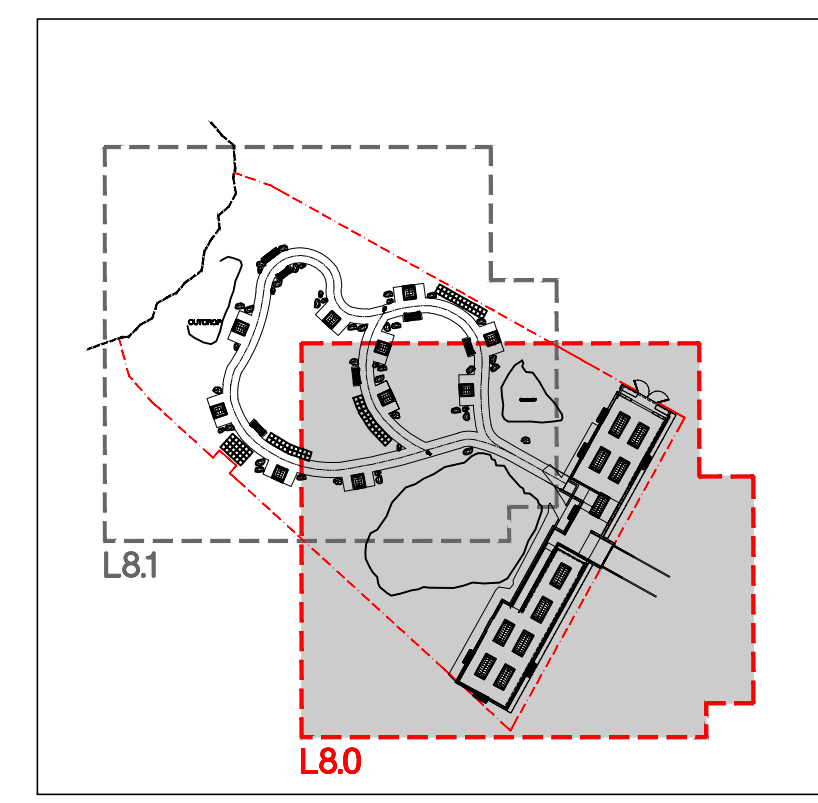
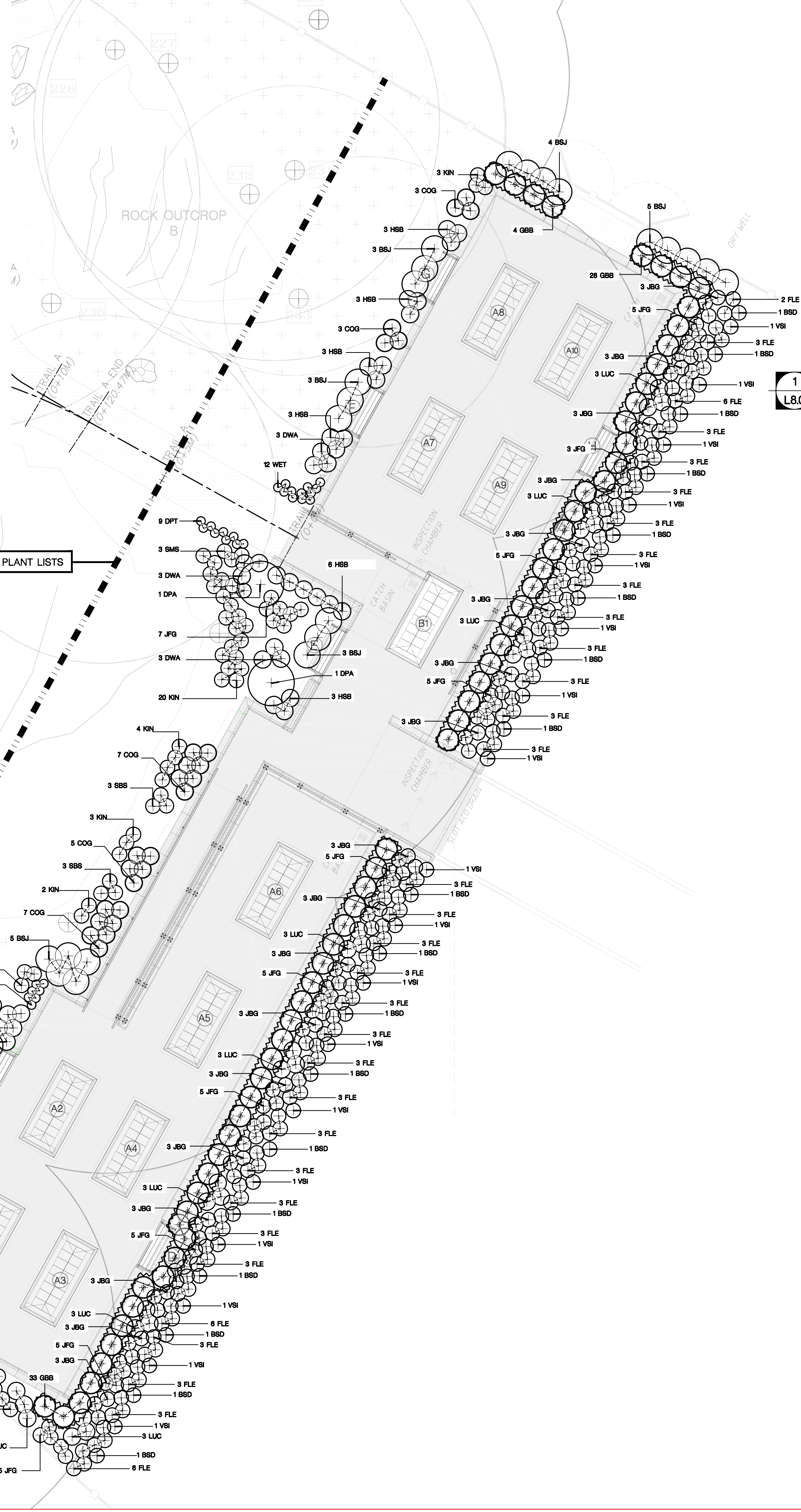
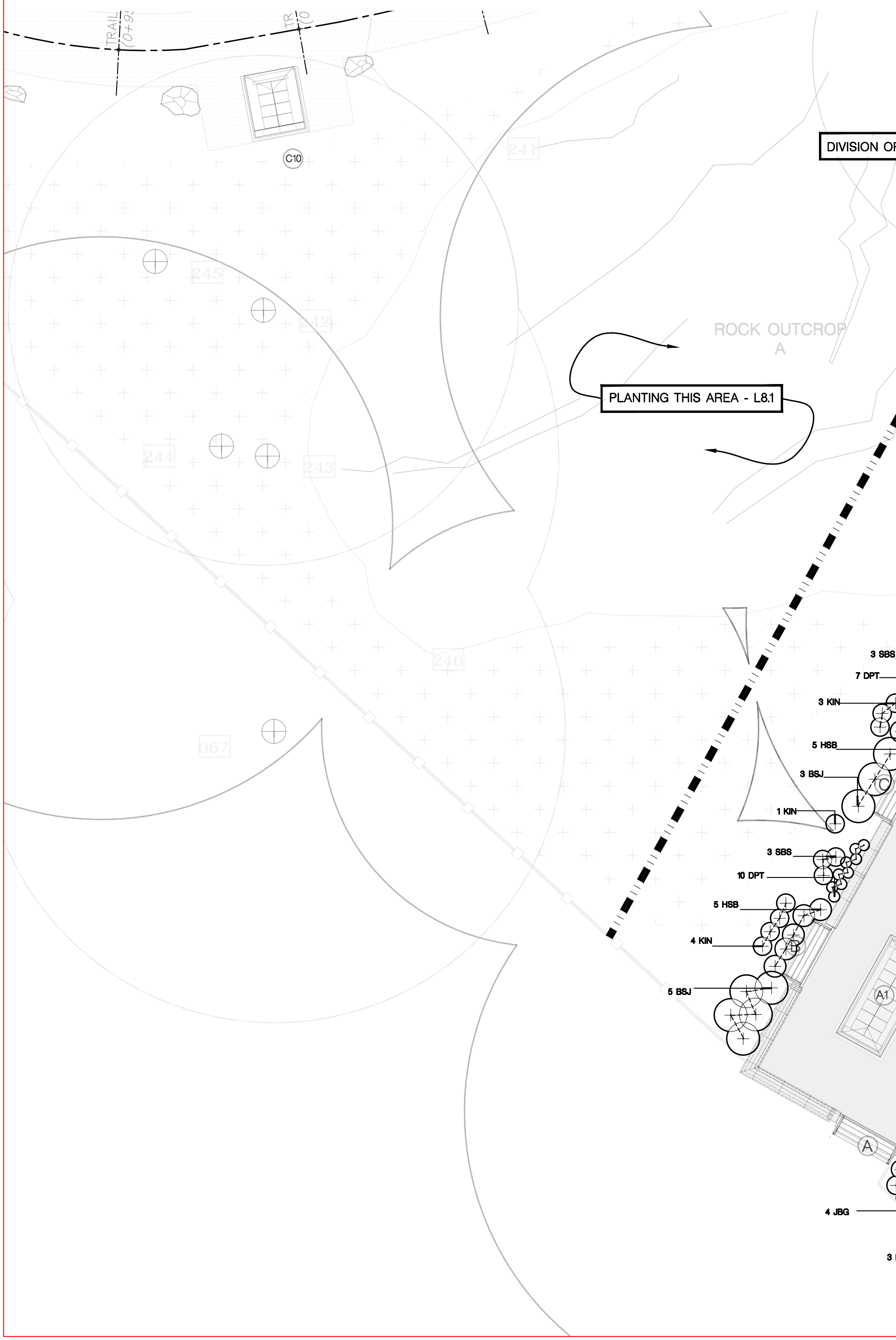
Revision no./La Révision no.  
**12**

**28 OF 33**

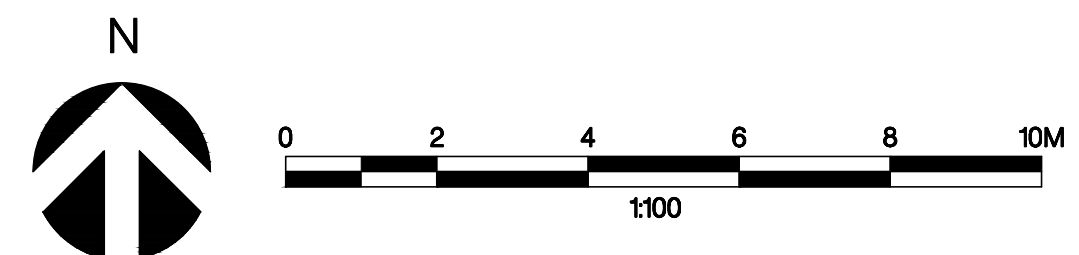
Z:\Active Clients\Public Works and Government Services Canada\16-854 God's Acre Veterans Cemetery Esquimalt\6\_CAD\Working Drawings\CD Set\16-854\_EVC Exp\_L8.0-L8.1\_Planting.dwg

Qty	Sym	Common Name	Botanic Name	Size and Condition
<b>Deciduous Shrubs</b>				
2	DPA	Purple Japanese Azalea	<i>Azalea japonica</i> 'Purple Splendor'	No. 2 pot
9	DWA	Dwarf White Japanese Azalea	<i>Azalea japonica</i> 'Hino White Dwarf'	No. 2 pot
<b>Evergreen Shrubs</b>				
31	BSJ	Blue Star Juniper	<i>Juniperus squamata</i> 'Blue Star'	No. 1 pot
25	COG	Creeping Oregon Grape	<i>Mahonia repens</i>	No. 1 pot
65	GBB	Green Beauty Boxwood	<i>Buxus microphylla</i> var. <i>japonica</i> 'Green Beauty'	No. 3 pot; full and even/matched
31	HSB	Himalayan Sweet Box	<i>Sarcococca humilis</i>	No. 1 pot
41	KIN	Kinnickinnick	<i>Arctostaphylos uva-ursi</i>	10 cm pot
<b>Perennials and Groundcovers</b>				
18	BSD	Becky Shasta Daisy	<i>Leucanthemum x superbum</i> 'Becky'	No. 1 pot
25	DPT	Dusseldorf Pride Sea Thrift	<i>Armeria maritima</i> 'Dusseldorf Pride'	10 cm pot
104	FLE	Flowerless Lambs Ears	<i>Stachys byzantia</i>	No. 1 pot
58	JBG	Johnson Blue Geranium	<i>Geranium</i> 'Johnson Blue'	No. 1 pot
55	JFG	Japanese Forest Grass	<i>Hakonechloa macra</i> 'Aureola'	No. 1 pot
27	LUC	Lucifer Crocosmia	<i>Crocosmia x curtonus</i> 'Lucifer'	No. 1 pot (or 5 corms equiv per pot)
12	SBS	Silver Brocade Sage	<i>Artemesia schmidtiana</i> 'Silver Brocade'	No. 1 pot
3	SMS	Smooth Solomon's Seal	<i>Polygonatum biflorum</i>	No. 1 pot
18	VSI	Variegated Sweet Iris	<i>Iris pallida</i> 'Variegata'	No. 1 pot
12	WET	Western Trillium	<i>Trillium ovatum</i>	No. 1 pot

**2 PLANT LIST**  
L8.0 SCALE: Not to Scale



**1 KEY PLAN**  
L8.0 SCALE: 1:1000



Revision/Revision	Description/Description	Date/Date
12	100% CONSTRUCTION DRAWINGS	16/12/15
11	100% CONSTRUCTION DRAWINGS	16/11/28
10	100% CONSTRUCTION DRAWINGS	16/11/18
9	100% CONSTRUCTION DRAWINGS	16/11/04
8	100% CONSTRUCTION DRAWINGS	16/10/12
7	100% CONSTRUCTION DRAWINGS ISSUED FOR REVIEW	16/09/23
6	99% CONSTRUCTION DRAWINGS ISSUED FOR REVIEW	16/09/07
5	99% CONSTRUCTION DRAWINGS ISSUED FOR REVIEW	16/08/05
4	99% CONSTRUCTION DRAWINGS ISSUED FOR REVIEW	16/07/04
3	99% CONSTRUCTION DRAWINGS ISSUED FOR REVIEW	16/06/24
2	66% CONSTRUCTION DRAWINGS ISSUED FOR REVIEW	16/06/09
1	33% CONSTRUCTION DRAWINGS ISSUED FOR REVIEW	16/06/01

Client/client  
**Veterans Affairs Canada / Anciens Combattants Canada**

Project title/Titre du projet  
**ESQUIMALT, B.C. VETERANS DRIVE**  
**ESQUIMALT VETERANS CEMETERY EXPANSION**

Consultant Signature Box Only  
 Designed by/Concept par  
**LEES + ASSOCIATES**  
 Drawn by/Dessiné par  
**LEES + ASSOCIATES / DATE (2016.12.15)**  
 PWGSC Project Manager/Administrateur de Projets TPSGC  
**REZA HAGHIGHI**  
 PWGSC, Regional Manager, Architectural and Engineering Services/  
 Gestionnaire régionale, Services d'architecture et de génie, TPSGC

Drawing title/Titre du dessin  
**PLANTING PLAN**

Project No./No. du projet  
**R.080256.003.**  
 Sheet/Feuille  
**L8.0**  
**29 OF 33**  
 Revision no./La Révision no.  
**12**

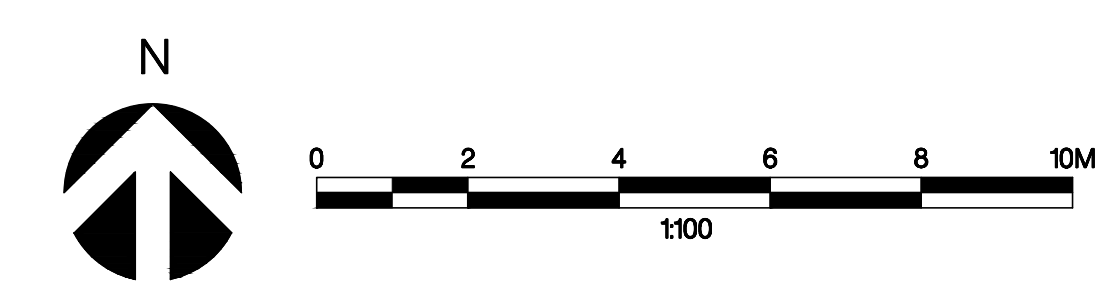
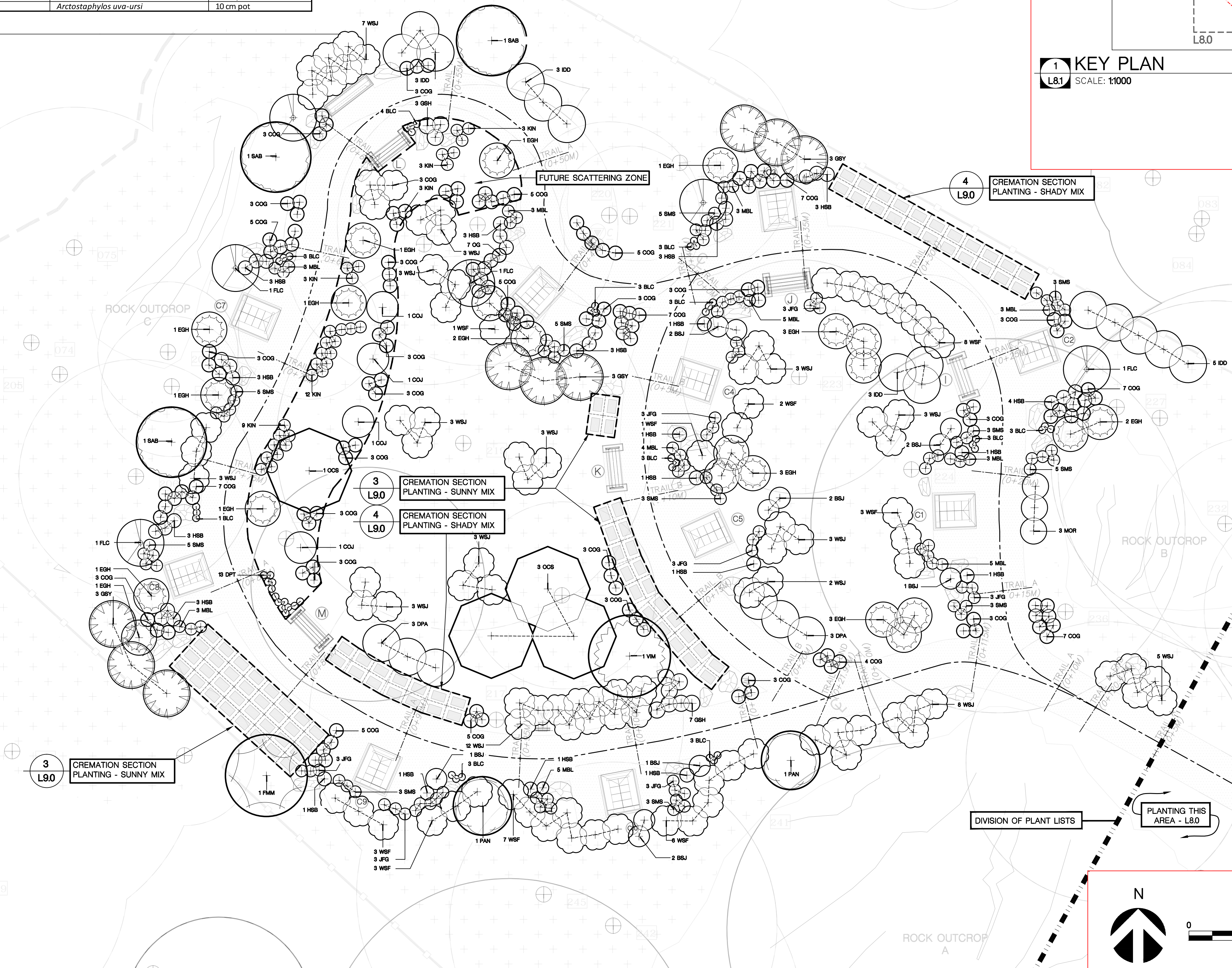
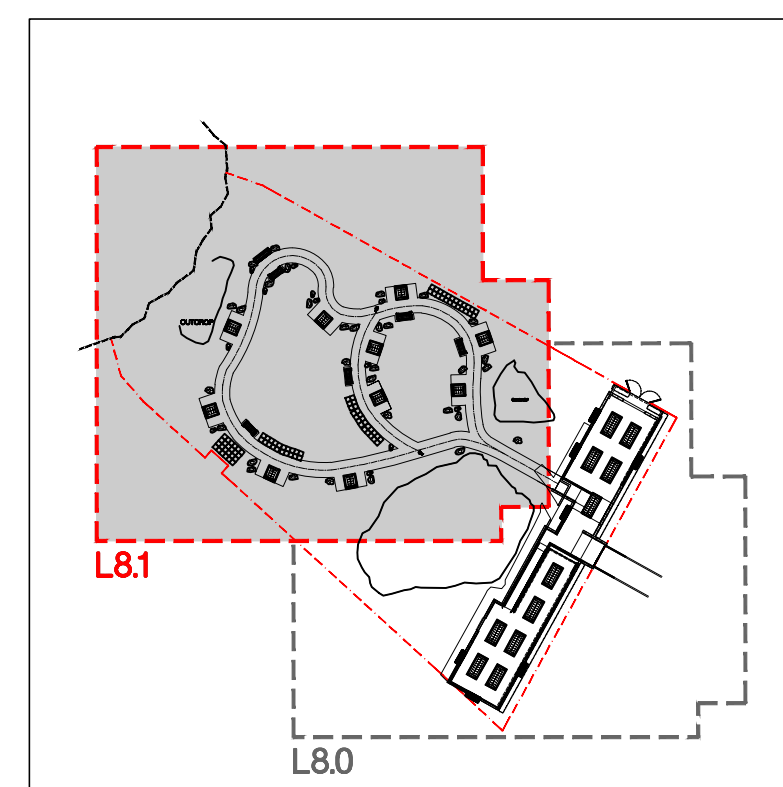
Z:\Active Clients\Public Works and Government Services Canada\16-854 God's Acre Veterans Cemetery Esquimalt\6\_CAD\Working Drawings\CD Set\16-854\_EVC Exp\_L8.0-L8.1\_Planting.dwg

Qty	Sym	Common Name	Botanic Name	Size and Condition
<b>Deciduous Trees</b>				
1	FMM	Full Moon Maple	<i>Acer japonicum</i> 'Aconitifolium'	Min 3 canes 2m ht dump
1	VIM	Vine Maple	<i>Acer circinatum</i>	Min 3 canes 2m ht dump
<b>Deciduous Shrubs</b>				
6	DPA	Dwarf Purple Japanese Azalea	<i>Azalea japonica</i> "Purple Splendor"	No. 2 pot
6	FLC	Flowering Currant	<i>Ribes sanguineum</i>	No. 5 pot
14	IDD	Isanti Dogwood	<i>Cornus sericea</i> 'Isanti'	No. 2 pot
3	MOR	Mock Orange	<i>Philadelphus lewisii</i>	No. 2 pot
4	OCS	Ocean Spray	<i>Holodiscus discolor</i>	No. 5 pot
2	PAN	Pacific Ninebark	<i>Physocarpus capitatus</i>	No. 2 pot
3	SAB	Saskatoon Berry	<i>Amelanchier alnifolia</i>	No. 2 pot
<b>Evergreen Shrubs</b>				
137	COG	Creeping Oregon Grape	<i>Mahonia repens</i>	No. 1 pot
4	COJ	Common Juniper	<i>Juniperus communis</i>	No. 2 pot
22	EGH	Evergreen Huckleberry	<i>Vaccinium ovatum</i>	No. 1 pot
9	GSY	Golden Spreading Yew	<i>Taxus baccata repandens</i> 'Aurea'	No. 2 pot
38	HSB	Himalayan Sweet Box	<i>Sarcococca humilis</i>	No. 1 pot
30	KIN	Kinnikinnick	<i>Arctostaphylos uva-ursi</i>	10 cm pot

Qty	Sym	Common Name	Botanic Name	Size and Condition
<b>Perennials and Groundcovers</b>				
34	BLC	Blue Columbine	<i>Aquilegia caerulea</i>	10 cm pot
56	BLS	Broadleaved Stonecrop	<i>Sedum spathulifolium</i>	10 cm pot
11	BSJ	Blue Star Juniper	<i>Juniperus squamata</i> 'Blue Star'	No. 1 pot
36	BUB	Bunchberry	<i>Cornus canadense</i>	10 cm pot
56	DBG	Douglas Blue-eyed grass	<i>Olysinium douglasii</i>	10 cm pot
69	DPT	Dusseldorf Pride Sea Thrift	<i>Armeria maritima</i> 'Dusseldorf Pride'	10 cm pot
56	EGV	Evergreen Violet	<i>Viola sempervirens</i>	10 cm pot
10	GSH	Gold Standard Hosta	<i>Hosta fortunei</i> 'Gold Standard'	No. 1 pot
24	JFG	Japanese Forest Grass	<i>Hakonechloa macra</i> 'Aureola'	No. 1 pot
42	MBL	Metallic Blue Lady Lenten Rose	<i>Helleborus x hybridus</i> 'Metallic Blue Lady'	No. 1 pot
36	RES	Redwood Sorrel	<i>Oxalis oreganum</i>	10 cm pot
46	SMS	Smooth Solomon's Seal	<i>Polygonatum biflorum</i>	No. 1 pot
36	TWF	Twinflower	<i>Linnaea borealis</i>	10 cm pot
36	WIG	Wild Ginger	<i>Asarum caudatum</i>	10 cm pot
101	WSF	Western Sword Fern	<i>Polystichum munitum</i>	No. 1 pot

**2 PLANT LIST**  
SCALE: Not to Scale

**1 KEY PLAN**  
SCALE: 1:1000



Public Works and Government Services Canada / Travaux publics et Services gouvernementaux Canada

**REAL PROPERTY SERVICES**  
Pacific Region  
**SERVICES IMMOBILIERS**  
Région de Pacifique

Revision/Revision	Description/Description	Date/Date
12	100% CONSTRUCTION DRAWINGS	16/12/15
11	100% CONSTRUCTION DRAWINGS	16/11/28
10	100% CONSTRUCTION DRAWINGS	16/11/18
9	100% CONSTRUCTION DRAWINGS	16/11/04
8	100% CONSTRUCTION DRAWINGS	16/10/12
7	100% CONSTRUCTION DRAWINGS ISSUED FOR REVIEW	16/09/23
6	99% CONSTRUCTION DRAWINGS ISSUED FOR REVIEW	16/09/07
5	99% CONSTRUCTION DRAWINGS ISSUED FOR REVIEW	16/08/05
4	99% CONSTRUCTION DRAWINGS ISSUED FOR REVIEW	16/07/04
3	99% CONSTRUCTION DRAWINGS ISSUED FOR REVIEW	16/06/24
2	66% CONSTRUCTION DRAWINGS ISSUED FOR REVIEW	16/06/09
1	33% CONSTRUCTION DRAWINGS ISSUED FOR REVIEW	16/06/01

Client/client: Veterans Affairs Canada / Anciens Combattants Canada

Project title/Titre du projet: **ESQUIMALT, B.C. VETERANS DRIVE ESQUIMALT VETERANS CEMETERY EXPANSION**

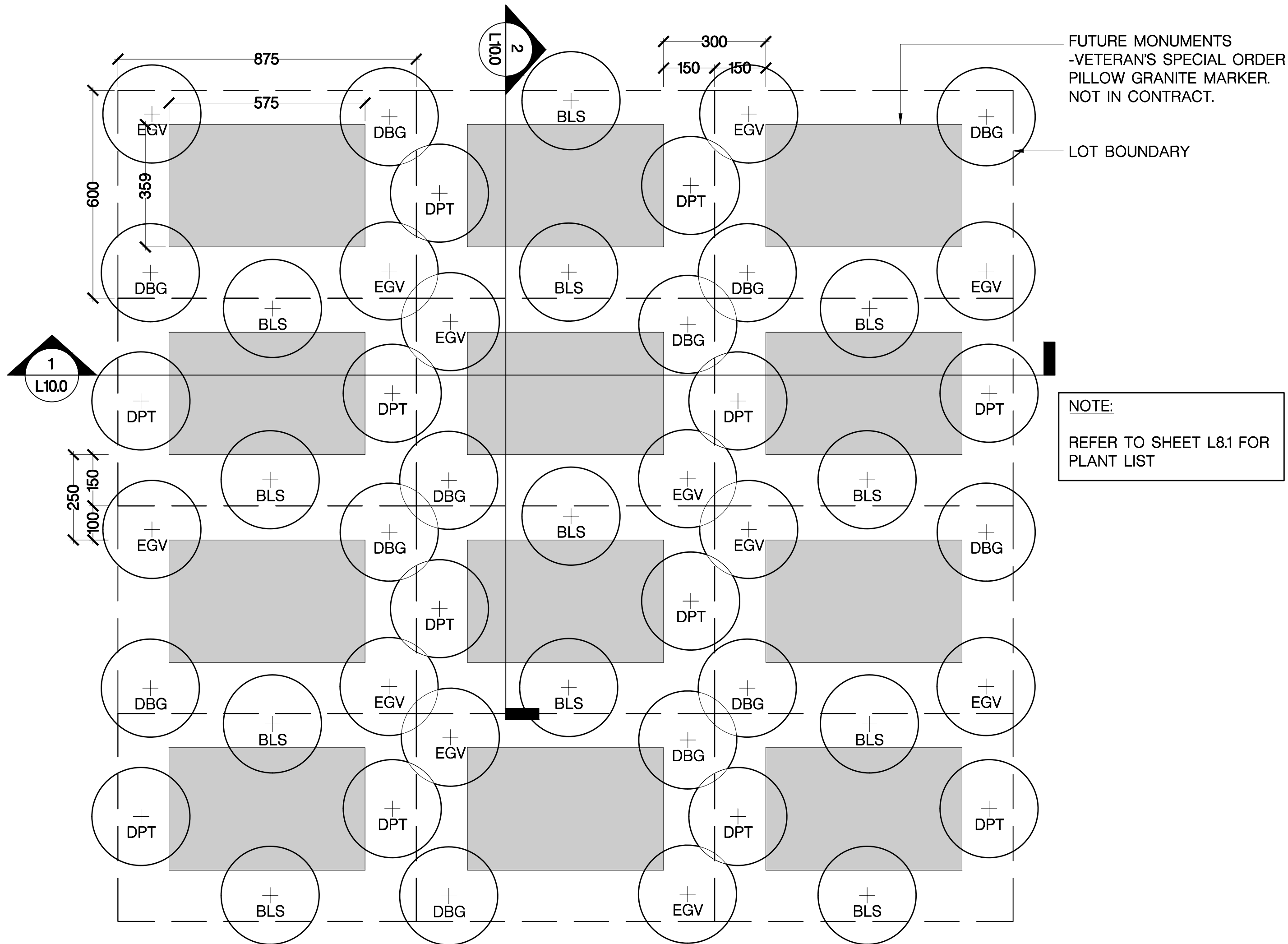
Consultant Signature Box Only

Designed by/Concept par: **LEES + ASSOCIATES**  
Drawn by/Dessiné par: **LEES + ASSOCIATES / DATE (2016.12.15)**  
PWGSC Project Manager/Administrateur de Projets TPSGC: **REZA HAGHIGHI**  
PWGSC, Regional Manager, Architectural and Engineering Services / Gestionnaire régionale, Services d'architecture et de génie, TPSGC

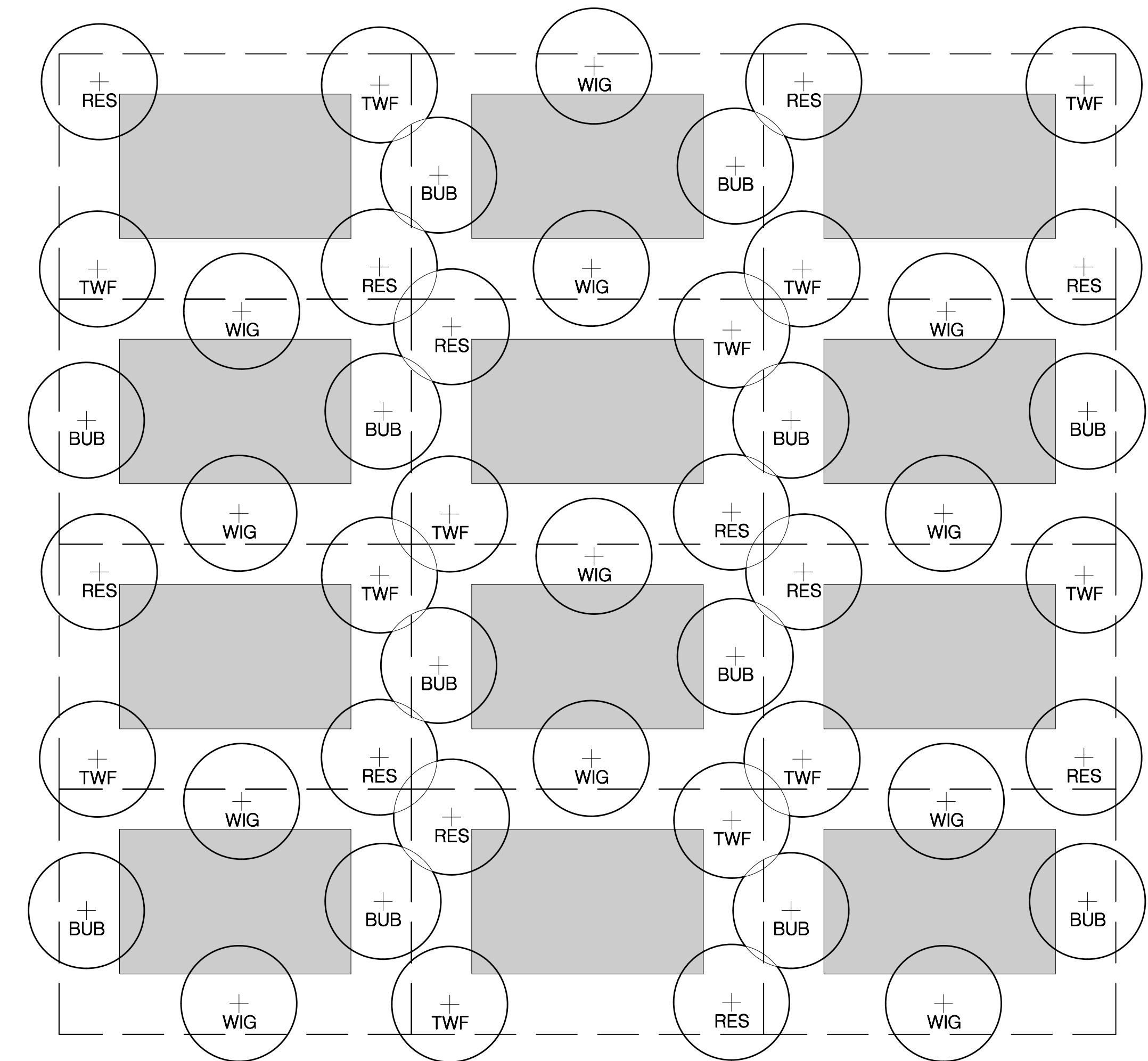
Drawing title/Titre du dessin: **PLANTING PLAN**

Project No./No. du projet: **R.080256.003.** Sheet/Feuille: **L8.1** Revision no./La Révision no.: **12**  
**30 OF 33**

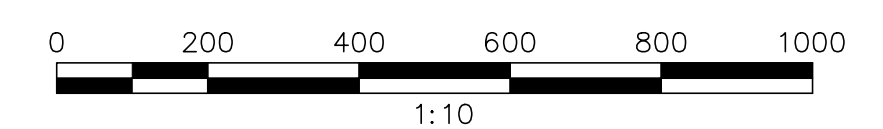
Z:\Active Clients\Public Works and Government Services Canada\16-854 God's Acre Veterans Cemetery Esquimalt\6\_CAD\Working Drawings\CD Set\16-854\_EVC Exp\_L90\_Planning Details.dwg



**1** TYPICAL CREMATION SECTION LAYOUT AND PLANTING PATTERN - SUNNY CONDITIONS  
SCALE: 1:10



**2** TYPICAL CREMATION SECTION LAYOUT AND PLANTING PATTERN - SHADY CONDITIONS  
SCALE: 1:10



12	100% CONSTRUCTION DRAWINGS	16/12/15
11	100% CONSTRUCTION DRAWINGS	16/11/28
10	100% CONSTRUCTION DRAWINGS	16/11/18
9	100% CONSTRUCTION DRAWINGS	16/11/04
8	100% CONSTRUCTION DRAWINGS	16/10/12
7	100% CONSTRUCTION DRAWINGS ISSUED FOR REVIEW	16/09/23
6	99% CONSTRUCTION DRAWINGS ISSUED FOR REVIEW	16/09/07
5	99% CONSTRUCTION DRAWINGS ISSUED FOR REVIEW	16/08/05
4	99% CONSTRUCTION DRAWINGS ISSUED FOR REVIEW	16/07/04
3	99% CONSTRUCTION DRAWINGS ISSUED FOR REVIEW	16/06/24
2	66% CONSTRUCTION DRAWINGS ISSUED FOR REVIEW	16/06/09
1	33% CONSTRUCTION DRAWINGS ISSUED FOR REVIEW	16/06/01

Revision/Revision	Description/Description	Date/Date
-------------------	-------------------------	-----------

Client/client

**Veterans Affairs Canada / Anciens Combattants Canada**

Project title/Titre du projet  
**ESQUIMALT, B.C.  
 VETERANS DRIVE  
 ESQUIMALT VETERANS  
 CEMETERY EXPANSION**

Consultant Signature Box Only

Designed by/Concept par  
**LEES + ASSOCIATES**

Drawn by/Dessiné par  
**LEES + ASSOCIATES / DATE (2016.12.15)**

PWGSC Project Manager/Administrateur de Projets TPSGC  
**REZA HAGHIGHI**

PWGSC, Regional Manager, Architectural and Engineering Services/  
 Gestionnaire régionale, Services d'architecture et de génie, TPSGC

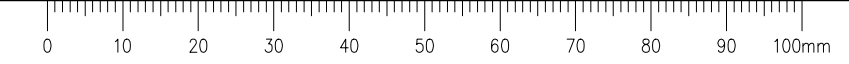
Drawing title/Titre du dessin  
**PLANTING DETAILS  
 CREMATION LOTS**

Project No./No. du projet  
**R.080256.003.**

Sheet/Feuille  
**L9.0**

Revision no./La Révision no.  
**12**

**31 OF 33**



Z:\Active Clients\Public Works and Government Services Canada\16-854 God's Acre Veterans Cemetery Esquimalt\6\_CAD\Working Drawings\CD Set\16-854\_EVC\_Exp\_L91\_Planting Details.dwg



12	100% CONSTRUCTION DRAWINGS	16/12/15
11	100% CONSTRUCTION DRAWINGS	16/11/28
10	100% CONSTRUCTION DRAWINGS	16/11/18
9	100% CONSTRUCTION DRAWINGS	16/11/04
8	100% CONSTRUCTION DRAWINGS	16/10/12
7	100% CONSTRUCTION DRAWINGS ISSUED FOR REVIEW	16/09/23
6	99% CONSTRUCTION DRAWINGS ISSUED FOR REVIEW	16/09/07
5	99% CONSTRUCTION DRAWINGS ISSUED FOR REVIEW	16/08/05
4	99% CONSTRUCTION DRAWINGS ISSUED FOR REVIEW	16/07/04
3	99% CONSTRUCTION DRAWINGS ISSUED FOR REVIEW	16/06/24
2	66% CONSTRUCTION DRAWINGS ISSUED FOR REVIEW	16/06/09
1	33% CONSTRUCTION DRAWINGS ISSUED FOR REVIEW	16/06/01

Revision/Revision	Description/Description	Date/Date
-------------------	-------------------------	-----------

Client/client



Project title/Titre du projet  
**ESQUIMALT, B.C. VETERANS DRIVE  
ESQUIMALT VETERANS CEMETERY EXPANSION**

Consultant Signature Box Only

Designed by/Concept par  
**LEES + ASSOCIATES**

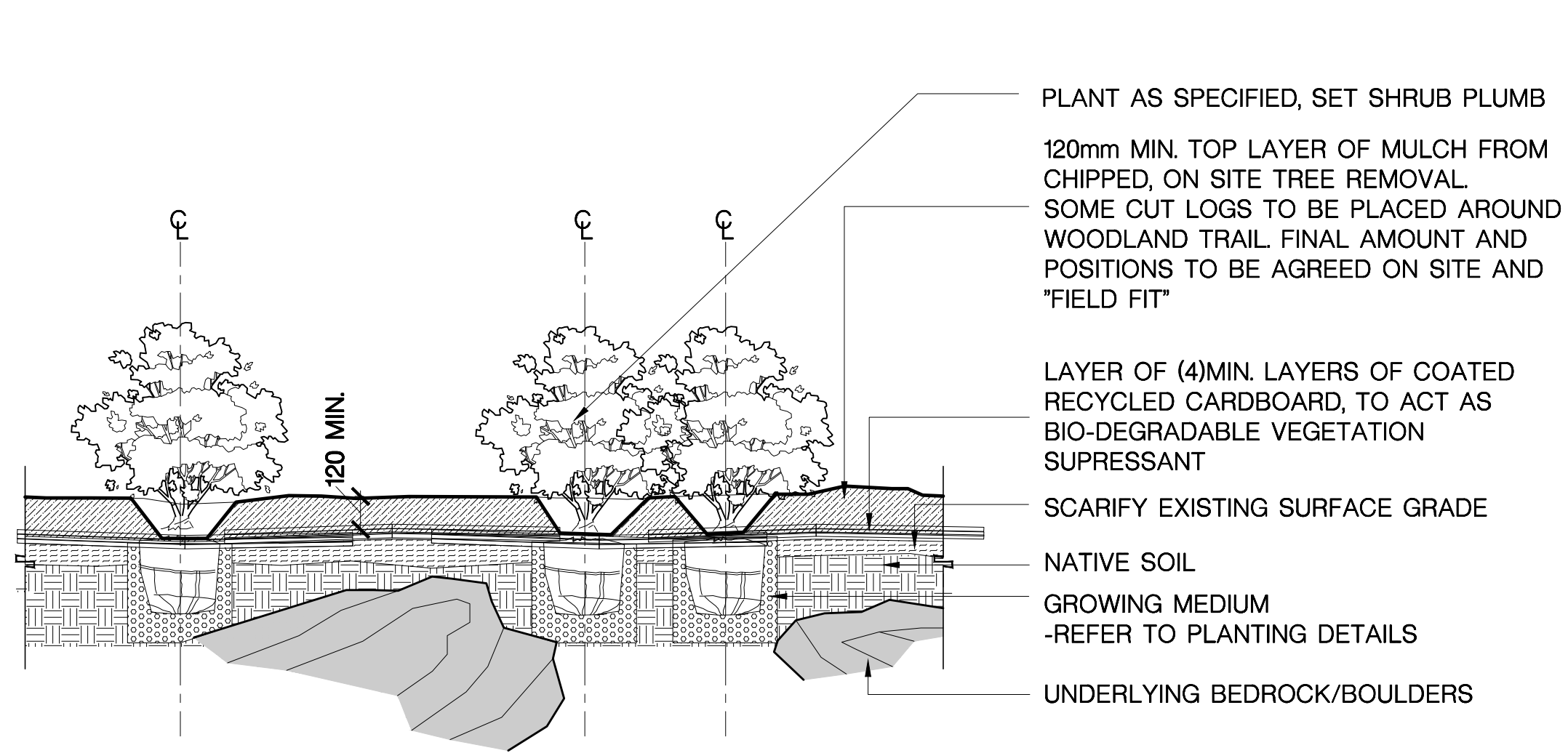
Drawn by/Dessiné par  
**LEES + ASSOCIATES / DATE (2016.12.15)**

PWGSC Project Manager/Administrateur de Projets TPSGC  
**REZA HAGHIGHI**

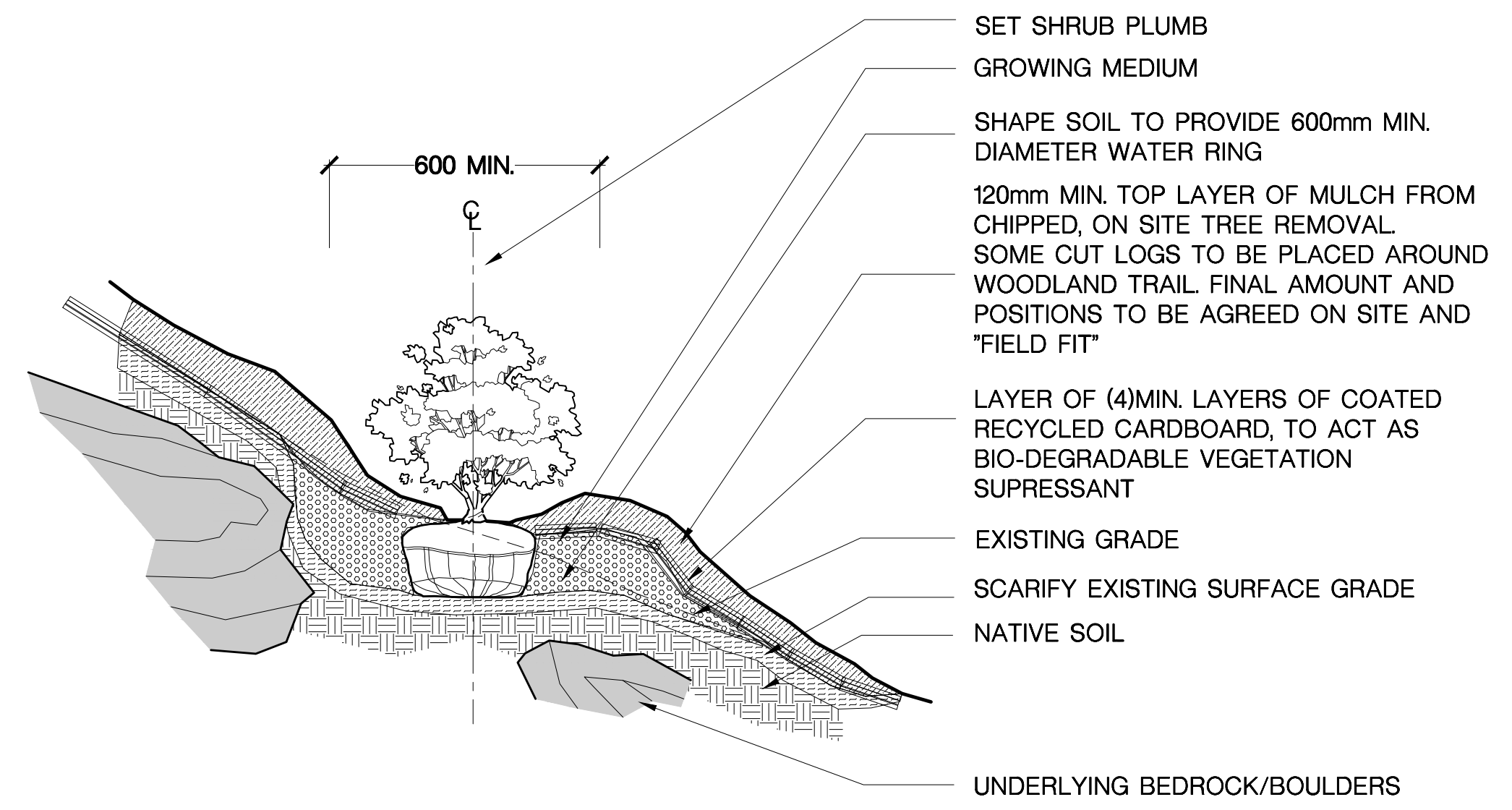
PWGSC, Regional Manager, Architectural and Engineering Services/  
Gestionnaire régionale, Services d'architecture et de génie, TPSGC

Drawing title/Titre du dessin  
**PLANTING DETAILS**

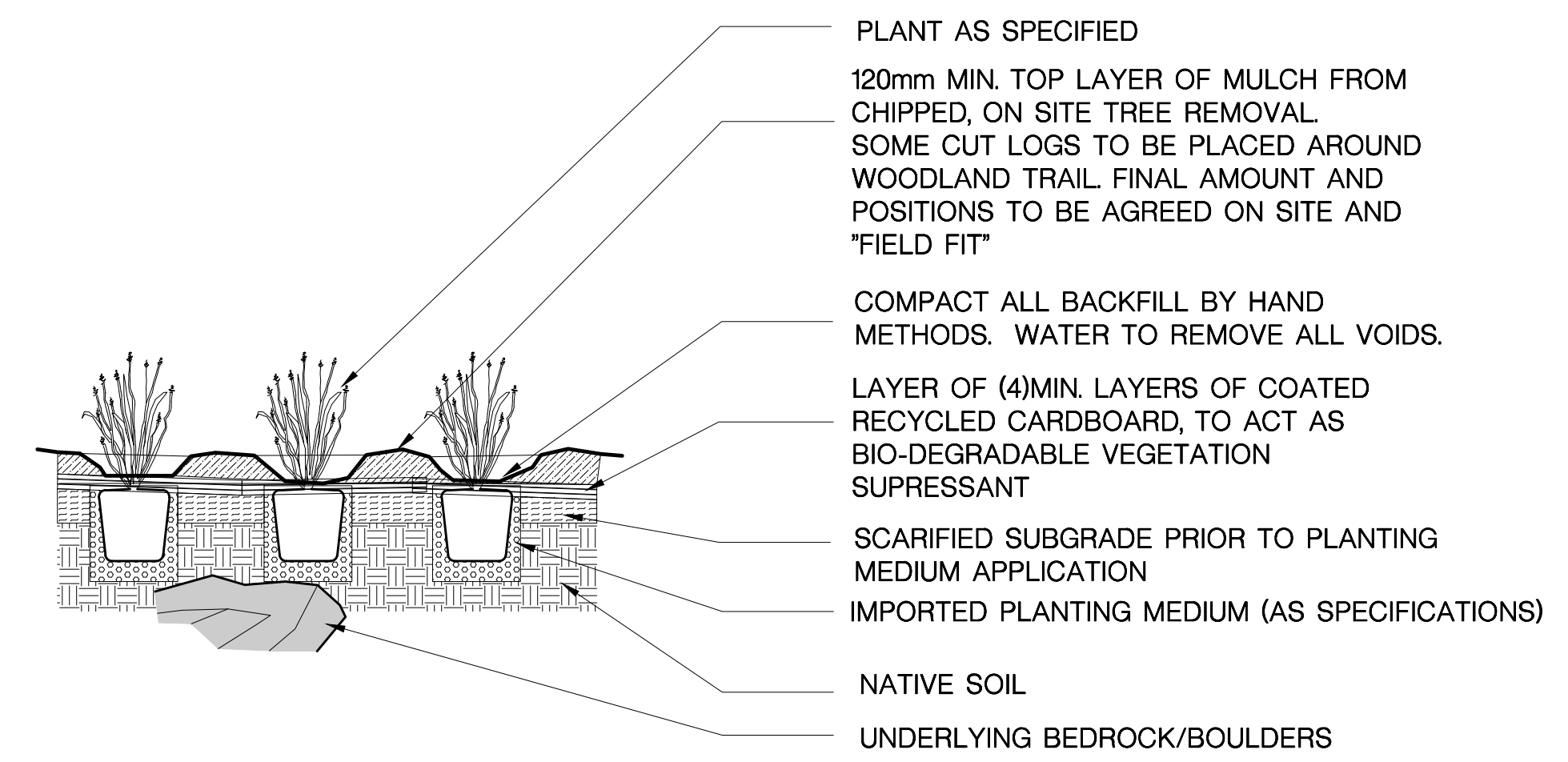
Project No./No. du projet <b>R.080256.003.</b>	Sheet/Feuille <b>L9.1</b>	Revision no./La Révision no. <b>12</b>
---	------------------------------	---



**1 WOODLAND SHRUB PLANTING TYP.**  
SCALE: 120

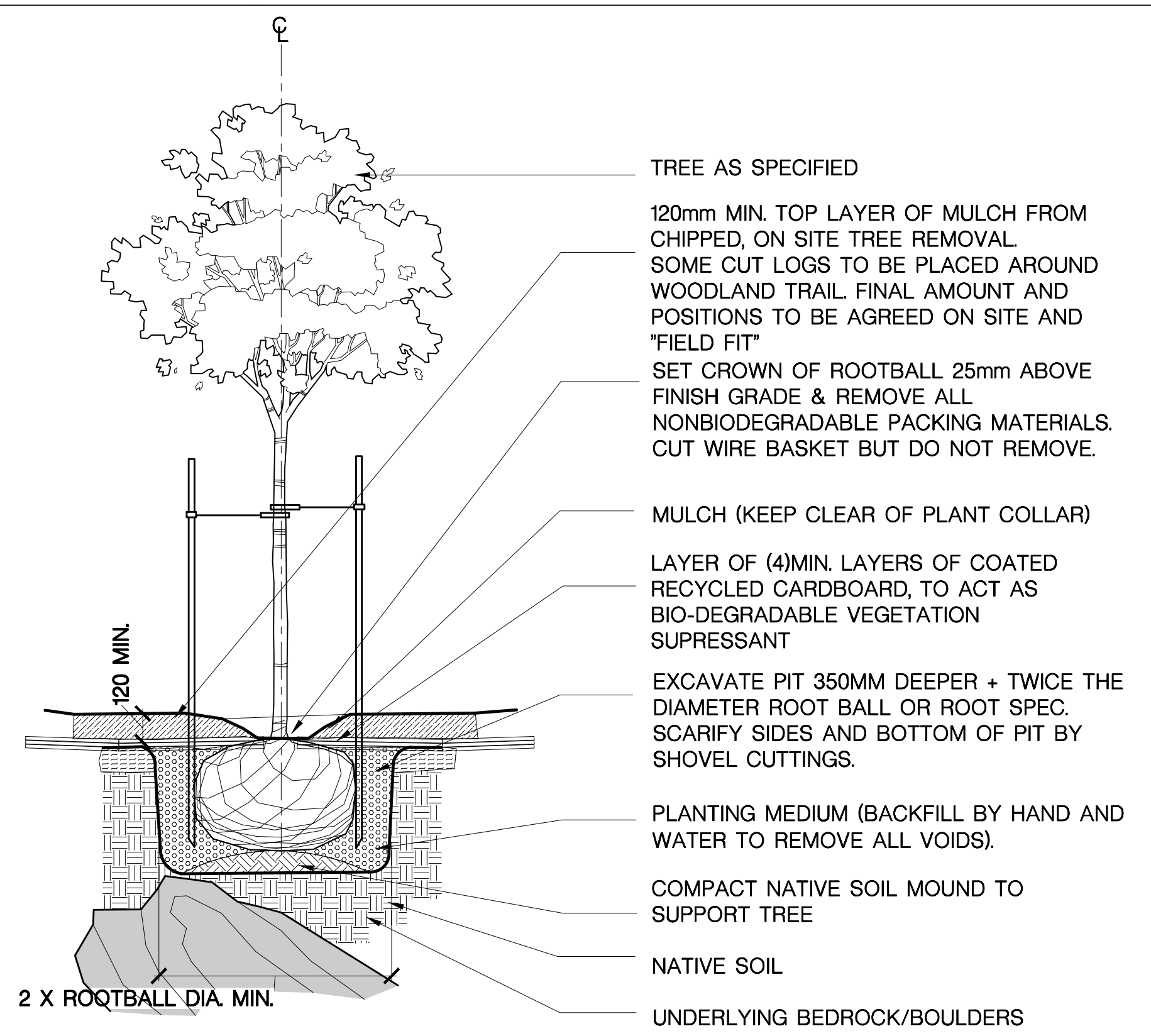


**2 WOODLAND SHRUB PLANTING ON A SLOPE**  
SCALE: 120

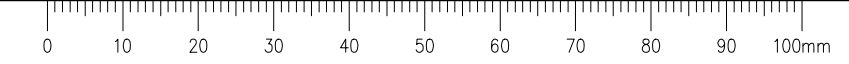
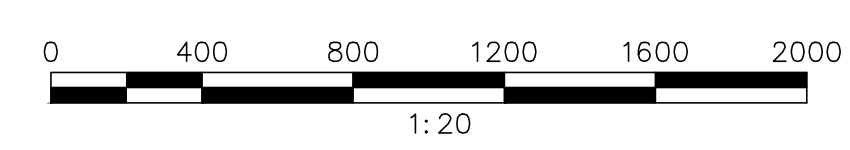


**3 WOODLAND PERENNIAL PLANTING TYP.**  
SCALE: 120

FOR ALL COLUMBARIA PLAZA PLANTING,  
DELETE CARDBOARD AND MULCH

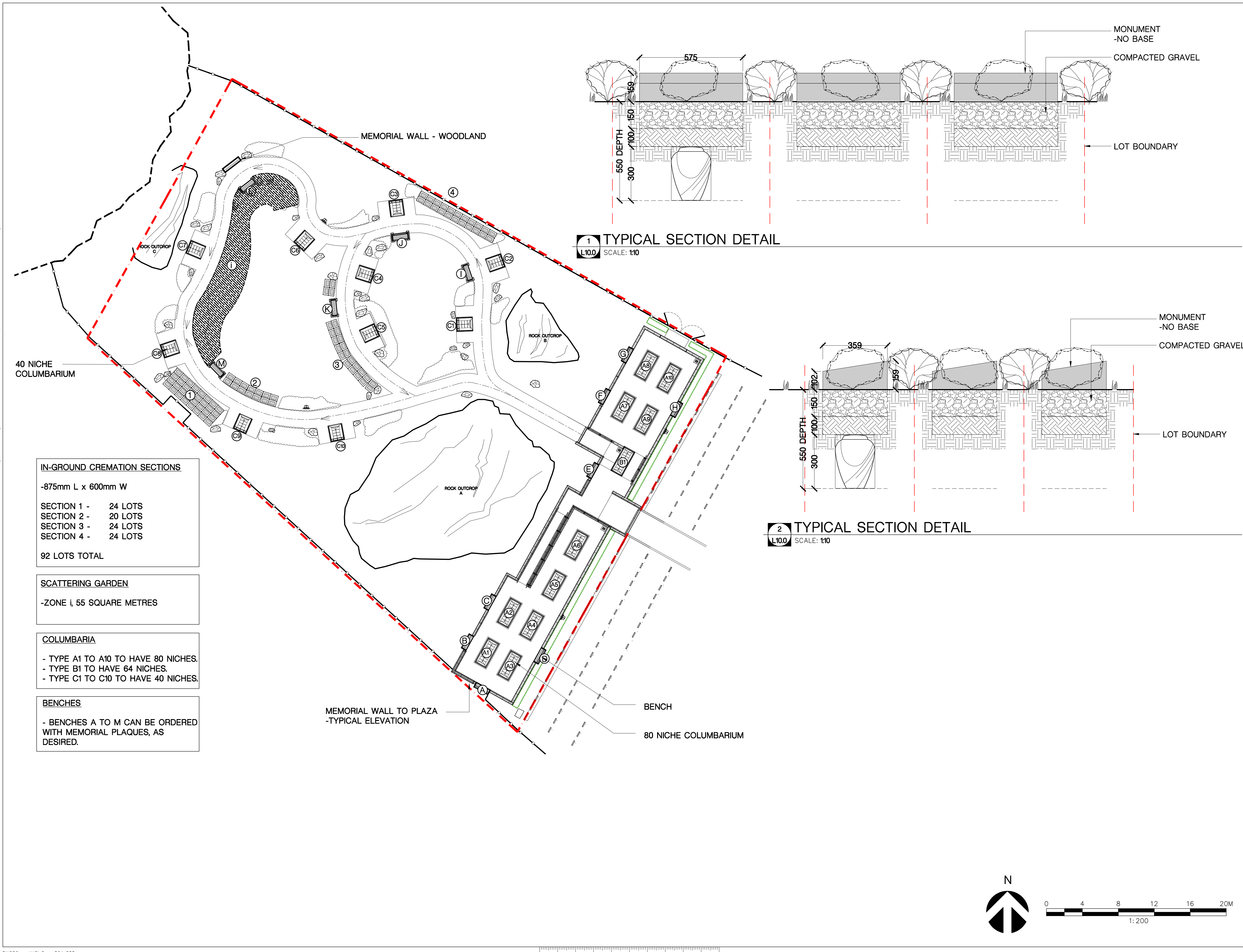


**4 WOODLAND TREE PLANTING TYP.**  
SCALE: 120

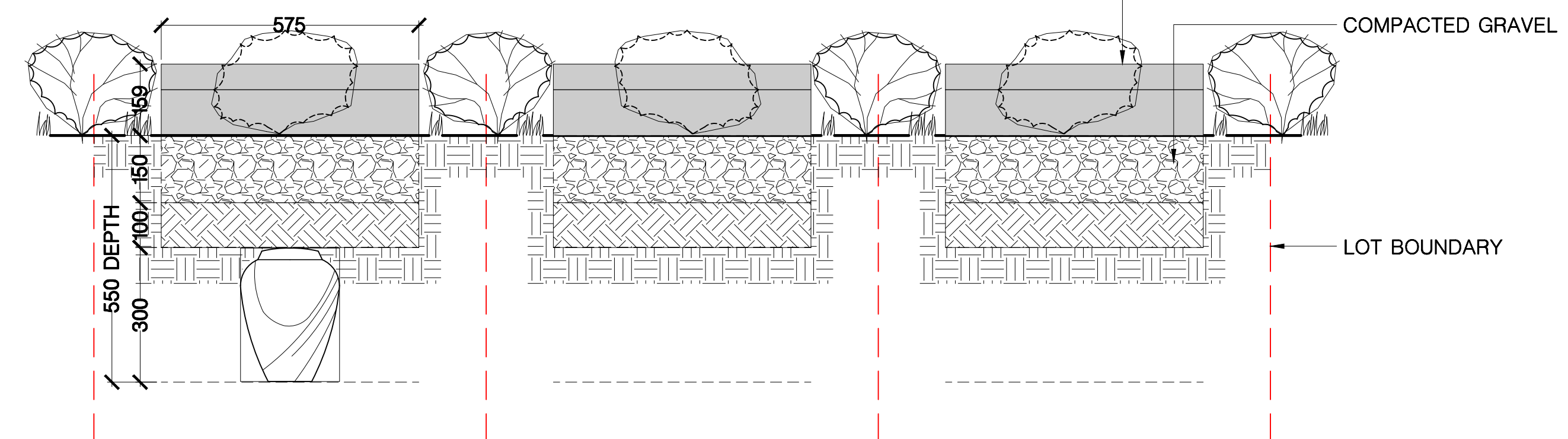




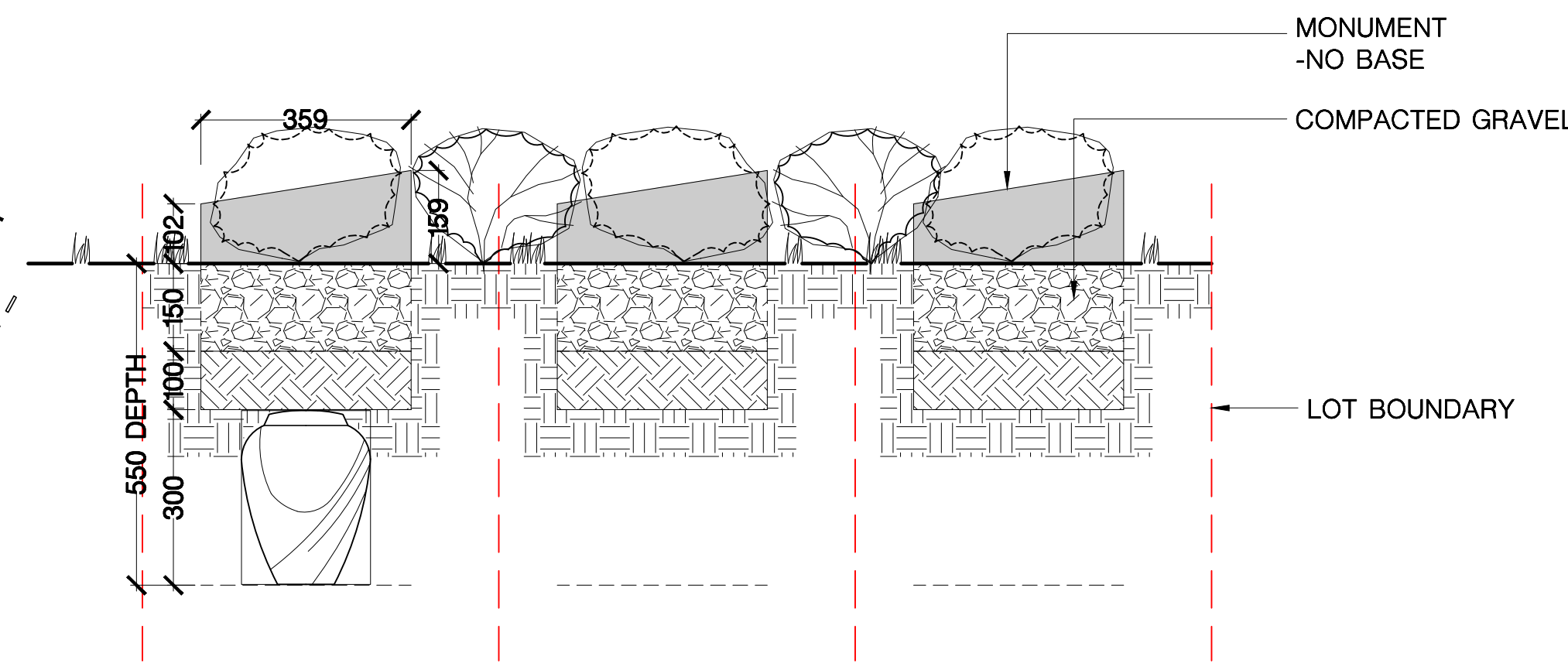
Z:\Active Clients\Public Works and Government Services Canada\16-854 God's Acre Veterans Cemetery Esquimalt\6\_CAD\Working Drawings\CD Set\16-854\_EVC Exp\_L100\_Interment Plan.dwg



**1** TYPICAL SECTION DETAIL  
L100 SCALE: 1:10



**2** TYPICAL SECTION DETAIL  
L100 SCALE: 1:10



- IN-GROUND CREMATION SECTIONS**
- 875mm L x 600mm W
  - SECTION 1 - 24 LOTS
  - SECTION 2 - 20 LOTS
  - SECTION 3 - 24 LOTS
  - SECTION 4 - 24 LOTS
- 92 LOTS TOTAL**
- SCATTERING GARDEN**
- ZONE i, 55 SQUARE METRES
- COLUMBARIA**
- TYPE A1 TO A10 TO HAVE 80 NICHES.
  - TYPE B1 TO HAVE 64 NICHES.
  - TYPE C1 TO C10 TO HAVE 40 NICHES.
- BENCHES**
- BENCHES A TO M CAN BE ORDERED WITH MEMORIAL PLAQUES, AS DESIRED.

**LEGEND**

- SCATTERING GARDEN ZONING



COLUMBARIA SHOWN ARE FOR REFERENCE ONLY, NOT INCLUDED IN THIS CONTRACT

12	100% CONSTRUCTION DRAWINGS	16/12/15
11	100% CONSTRUCTION DRAWINGS	16/11/28
10	100% CONSTRUCTION DRAWINGS	16/11/18
9	100% CONSTRUCTION DRAWINGS	16/11/04
8	100% CONSTRUCTION DRAWINGS	16/10/12
7	100% CONSTRUCTION DRAWINGS ISSUED FOR REVIEW	16/09/23
6	99% CONSTRUCTION DRAWINGS ISSUED FOR REVIEW	16/09/07
5	99% CONSTRUCTION DRAWINGS ISSUED FOR REVIEW	16/08/05
4	99% CONSTRUCTION DRAWINGS ISSUED FOR REVIEW	16/07/04
3	99% CONSTRUCTION DRAWINGS ISSUED FOR REVIEW	16/06/24
2	66% CONSTRUCTION DRAWINGS ISSUED FOR REVIEW	16/06/09
1	33% CONSTRUCTION DRAWINGS ISSUED FOR REVIEW	16/06/01

Revision/Revision	Description/Description	Date/Date
-------------------	-------------------------	-----------

Client/client  
 Veterans Affairs Canada / Anciens Combattants Canada

Project title/Titre du projet  
**ESQUIMALT, B.C. VETERANS DRIVE**  
**ESQUIMALT VETERANS CEMETERY EXPANSION**

Consultant Signature Box Only

Designed by/Concept par  
**LEES + ASSOCIATES**

Drawn by/Dessiné par  
**LEES + ASSOCIATES / DATE (2016.12.15)**

PWGSC Project Manager/Administrateur de Projets TPSGC  
**REZA HAGHIGHI**

PWGSC, Regional Manager, Architectural and Engineering Services/  
 Gestionnaire régionale, Services d'architecture et de génie, TPSGC

Drawing title/Titre du dessin  
**INTERMENT PLAN**

Project No./No. du projet  
**R.080256.003.**

Sheet/Feuille  
**L10.0**  
**33 OF 33**

Revision no./La Révision no.  
**12**

