

ISSUE	DATE	DRW	CHD	APPD	DESCRIPTION
B	20/7/79	RK	JAW		AS CONSTRUCTED
C	24/7/89	G.R.			HEADER PIPING REVISED 14 1989.

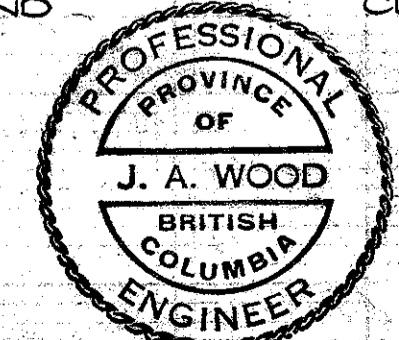
DEPARTMENT OF FISHERIES AND THE ENVIRONMENT
FISHERIES MANAGEMENT - PACIFIC REGION
 RECOMMENDED APPROVED APPROVED

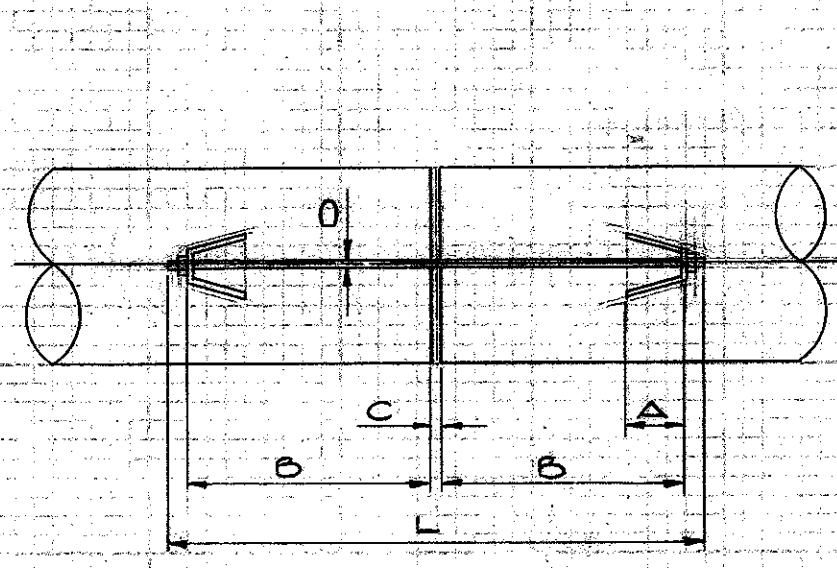
DESIGNED: J.A.W.
 DRAWN: RK
 CHECKED: JAW

KERR WOOD LEIDAL ASSOCIATES LTD.
 CONSULTING ENGINEERS
 28/1/78

DEPARTMENT OF FISHERIES & THE ENVIRONMENT
 PUNTLIDGE RIVER HATCHERY
 AERATION BUILDING
 SECTIONS - PIPING AND EQUIPMENT

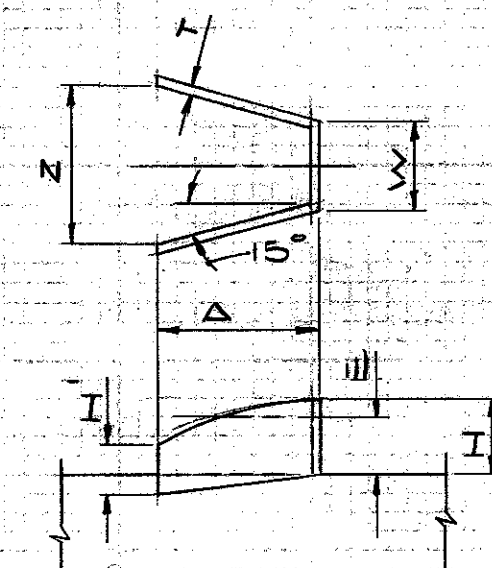
SCALE: AS SHOWN
 DRAWING No. 19.76.11
 SHEET 11 OF 32 ISSUE C
 31-6-214





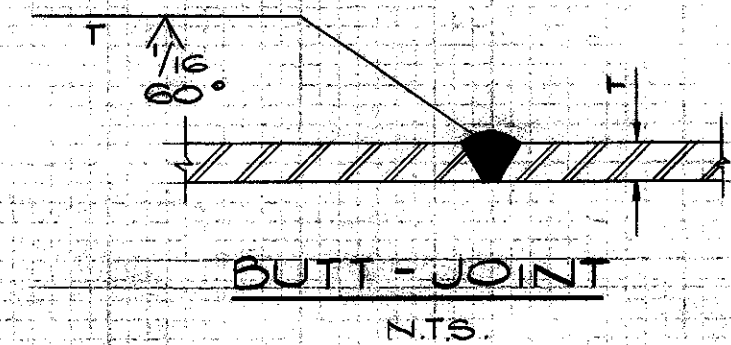
TIE BOLTS

BOLT DIA	A	W	Z	T	H	E	H'	HOLE TYPING DIA	L	D
3/4"	3 3/4	1 1/16	3 1/2	3/8	4 1/8	3 1/8	2	7/8	25 3/4	11 1/8
1"	5 1/8	2 1/8	4 1/16	3/8	4 1/2	3 1/4	2	1 1/8	29	12 1/2

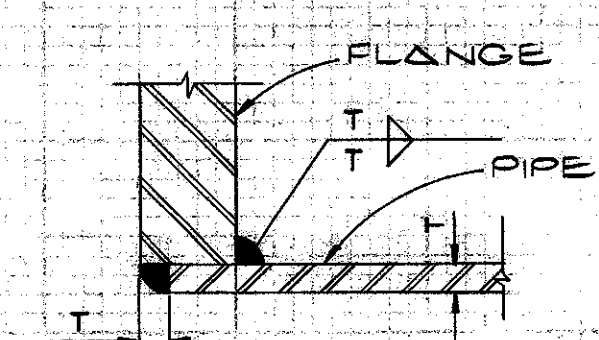


LUGS

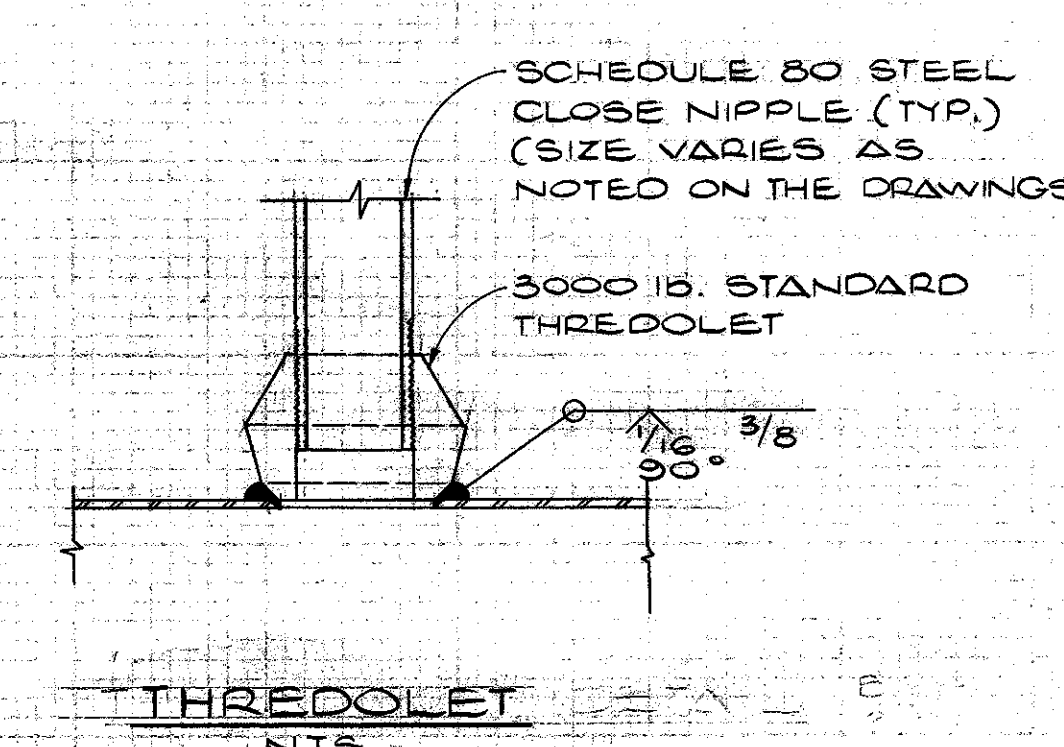
NOTE
 - FOR VALUES OF 'C' GREATER THAN 1" 'B' MUST BE DECREASED
 - DIMENSIONS 'L' & 'D' ARE BASED ON A 'C' VALUE OF 1"
 - USE HEAT-TREATED BOLTS OF YIELD STRENGTH 70,000 P.S.I.



BUTT-JOINT N.T.S.

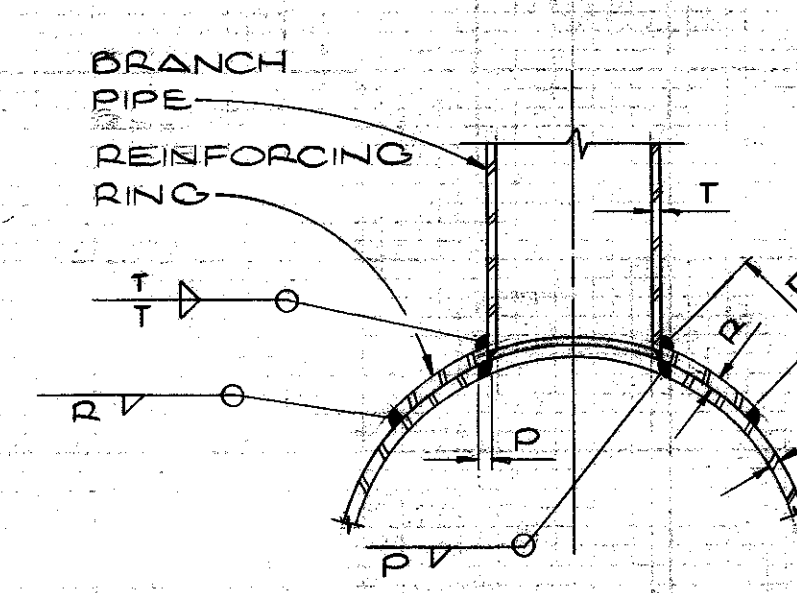


FLANGE JOINT N.T.S.

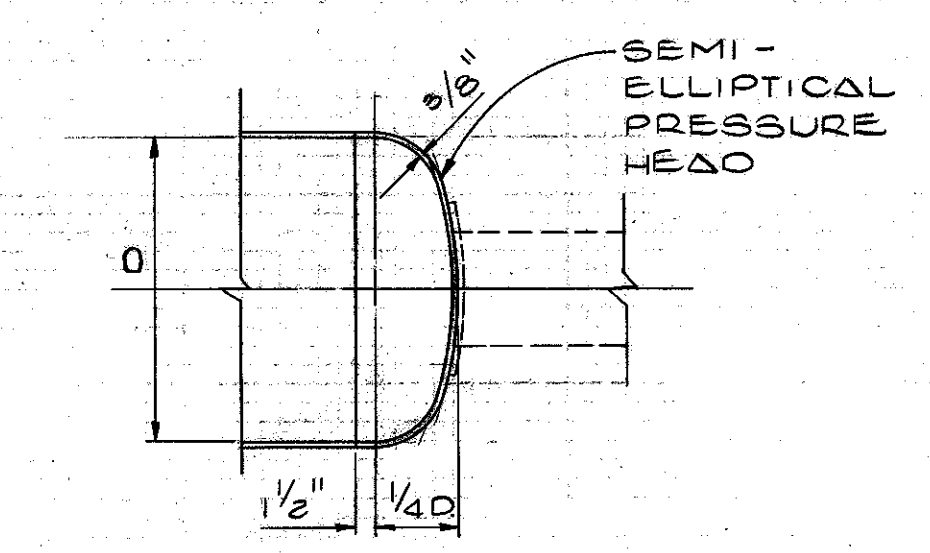


THREDOLET N.T.S.

BRANCH PIPE Ø	REIN. RING R	REIN. RING L
4"	3/8"	2"
10"	1/2"	4"
12"	1/2"	4"
16"	3/4"	4"



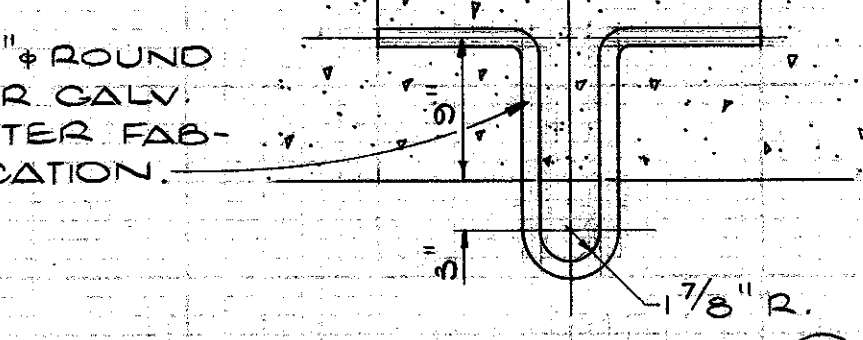
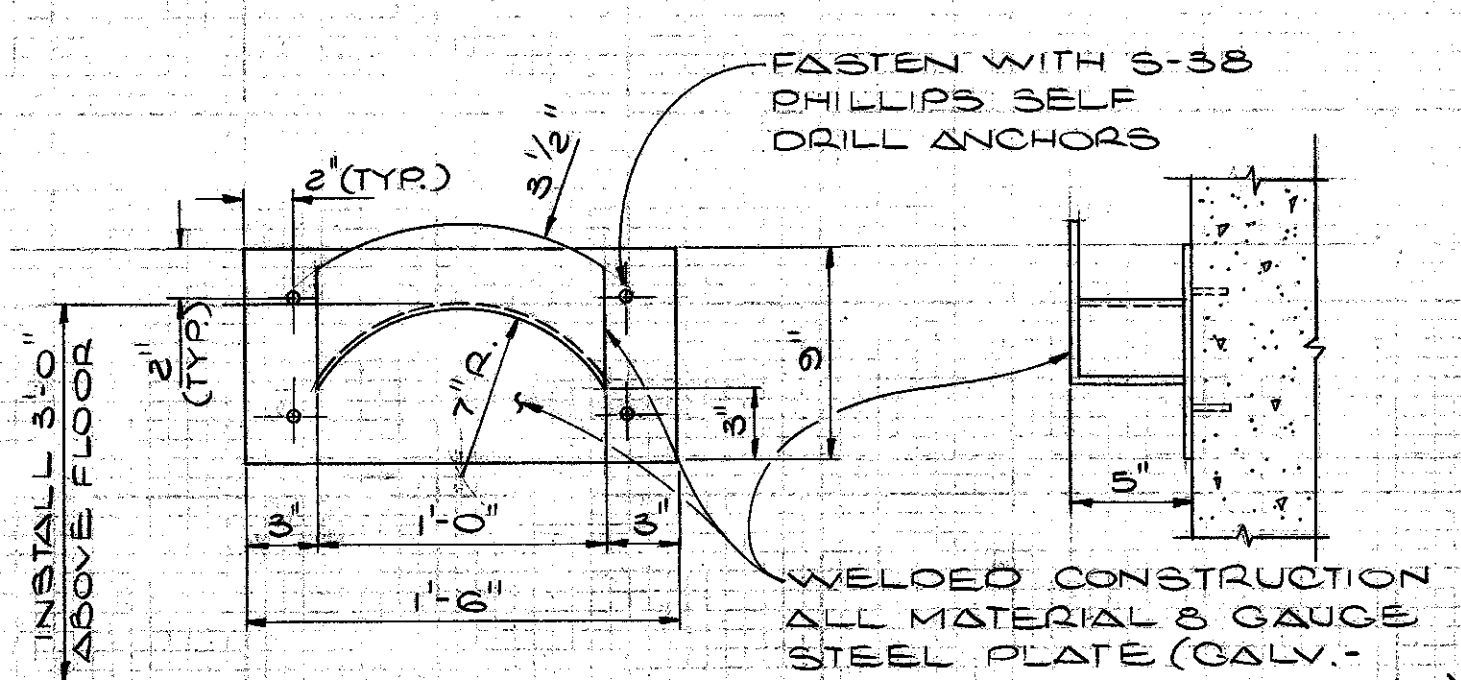
BRANCH TAKE-OFF N.T.S.



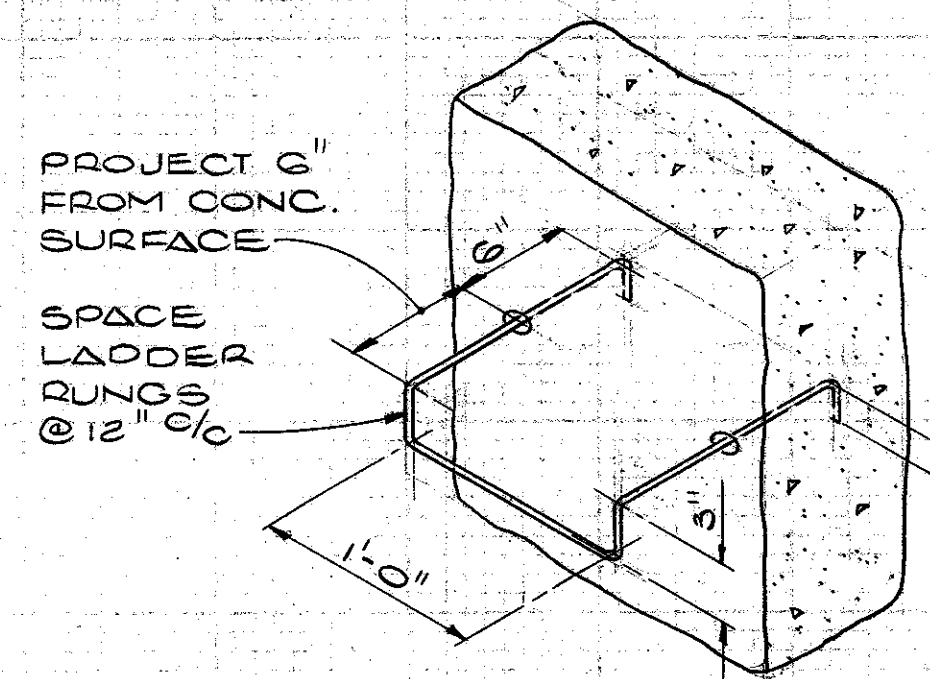
PRESSURE HEAD DETAIL N.T.S.

TYPICAL WELDING DETAILS

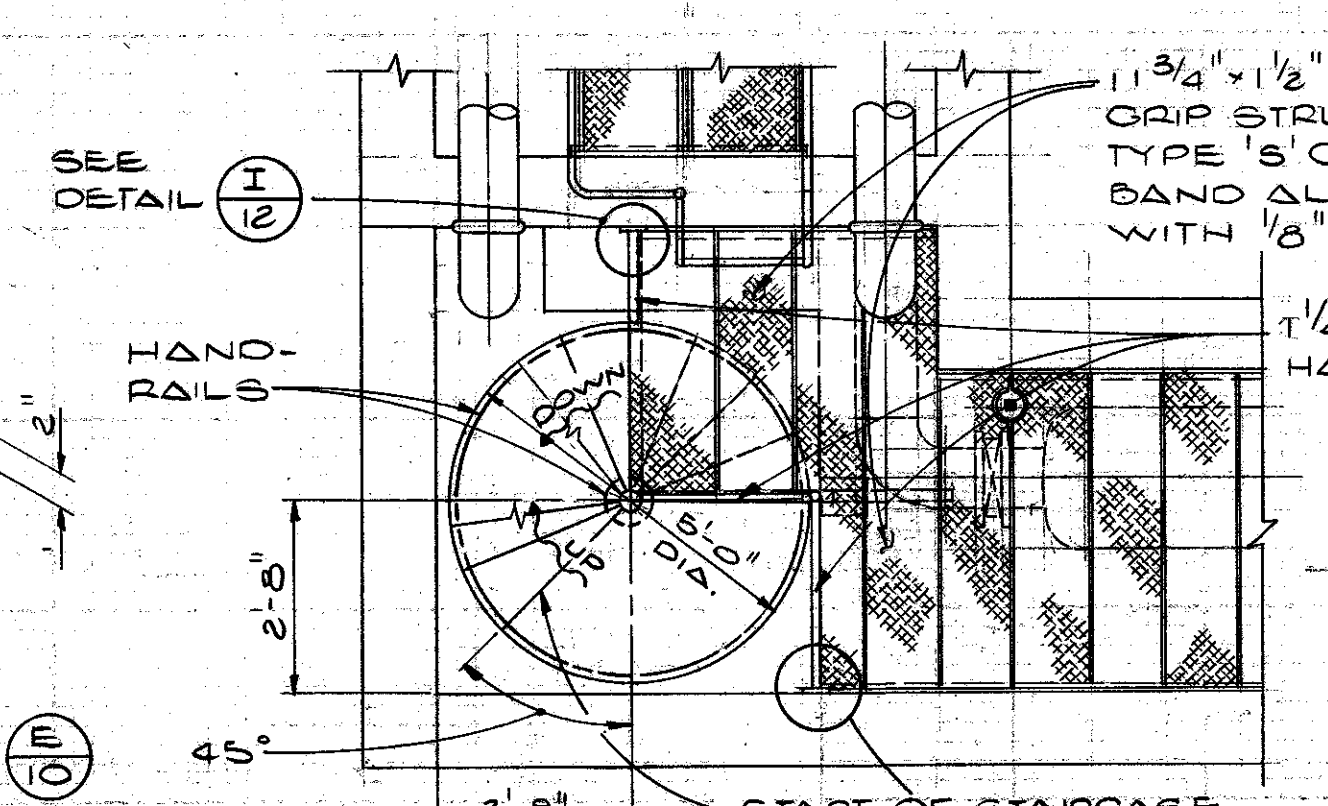
JOINT HARNESS DETAIL N.T.S.



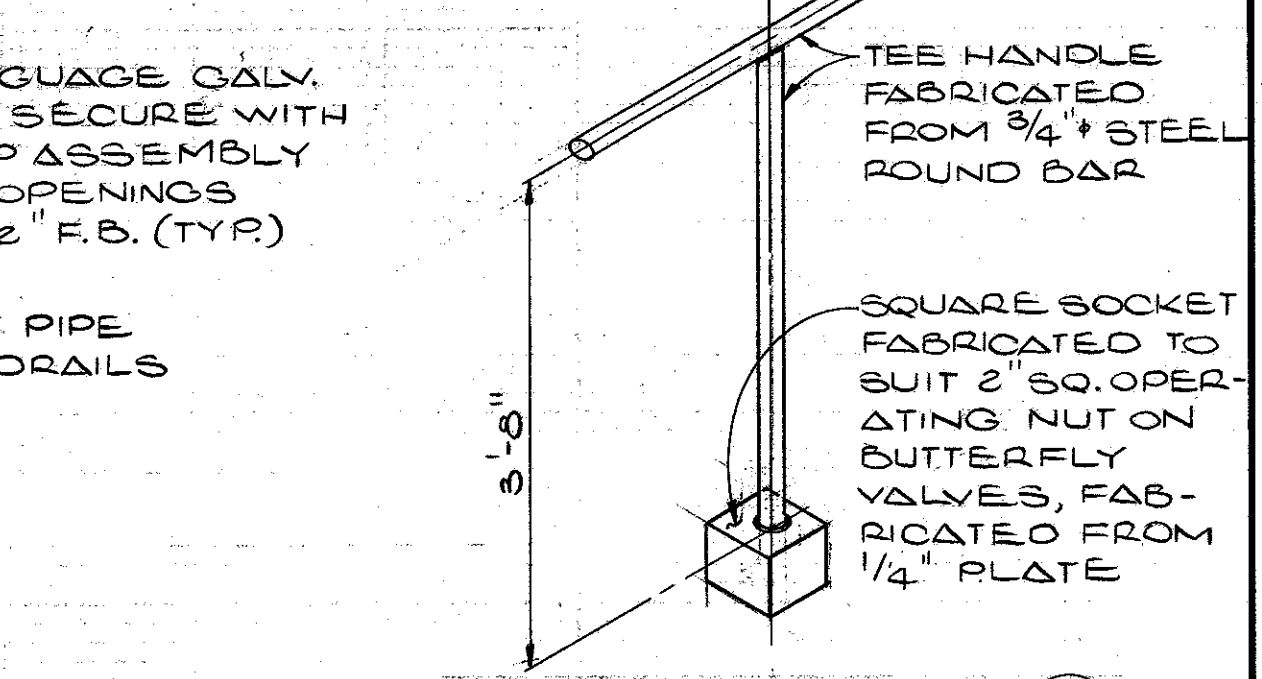
LIFTING EYE DETAIL SCALE 1"=1'-0"



LADDER RUNG DETAIL N.T.S.

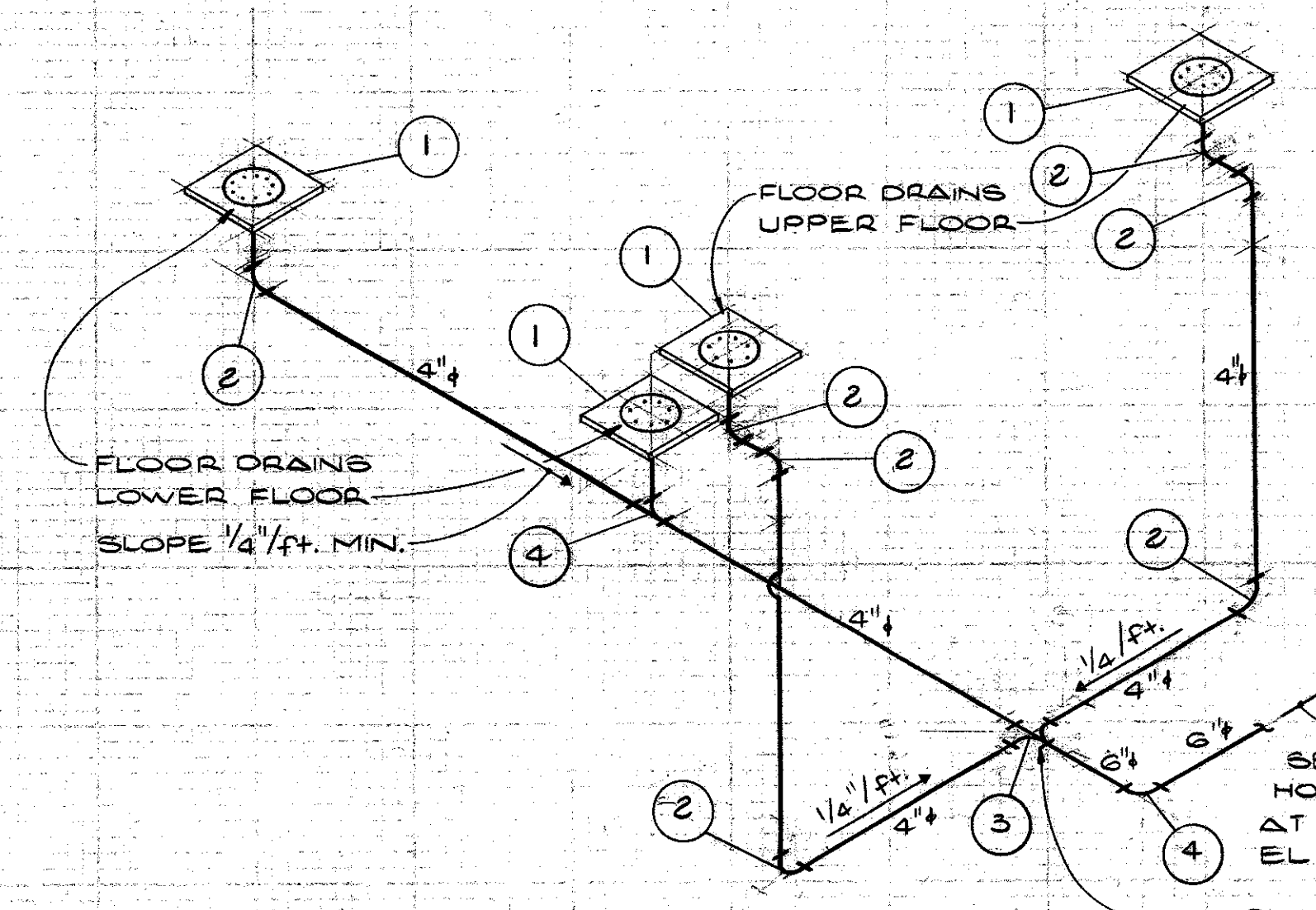
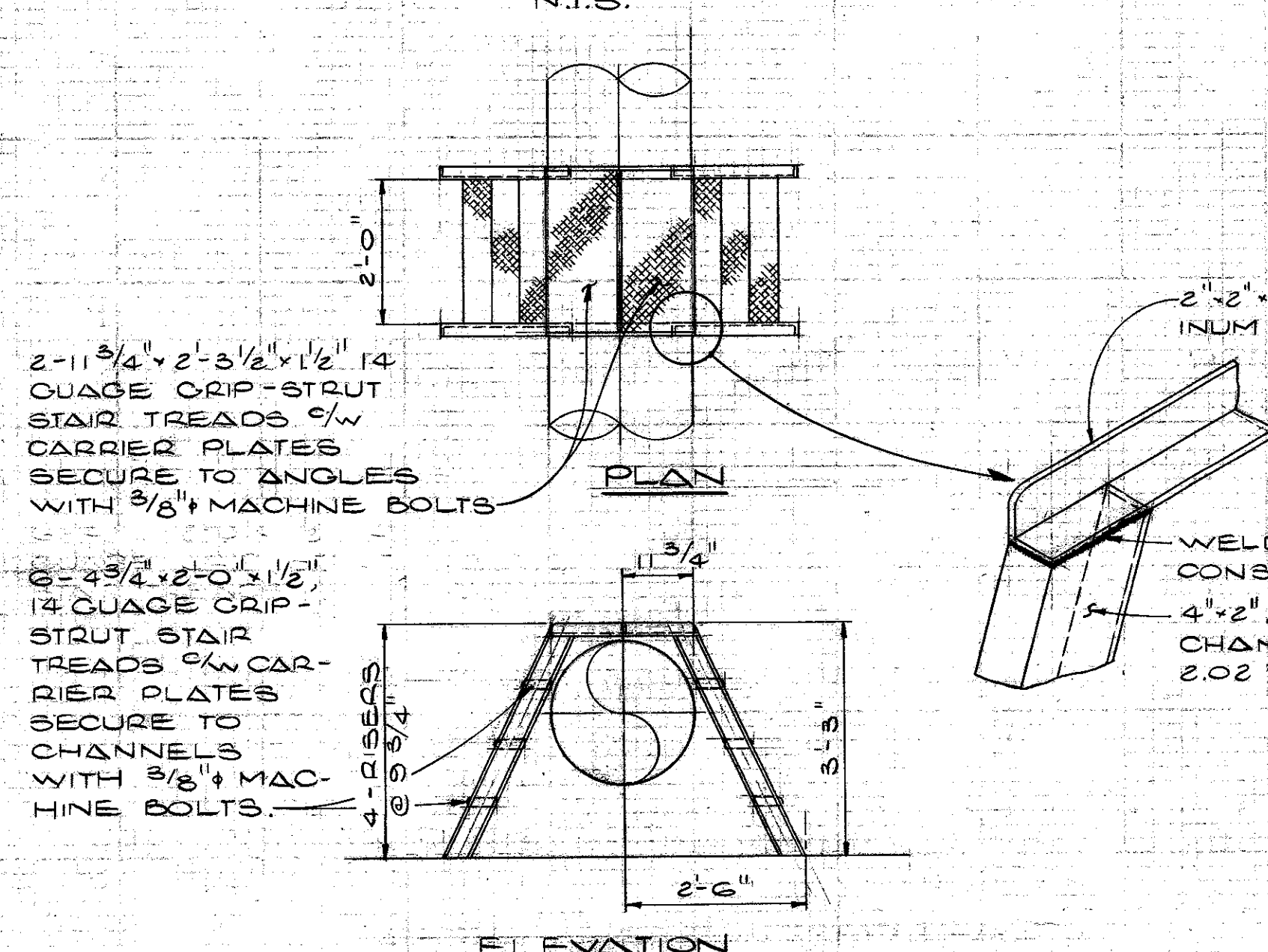


PLAN



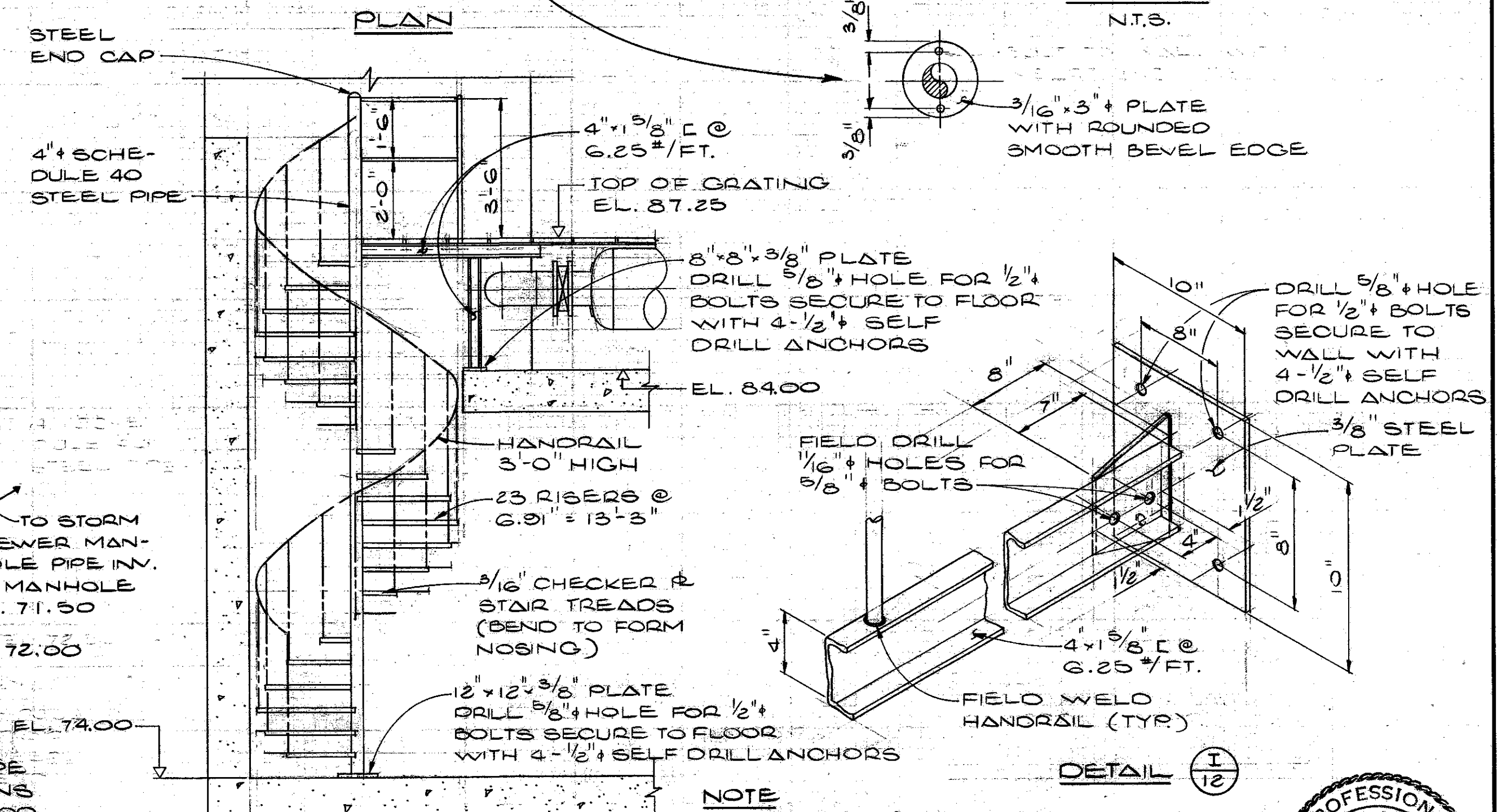
TEE WRENCH-DETAIL FOR 2" AWWA VALVE OPERATOR NUT 2 REQ'D N.T.S.

HOSE RACK DETAIL (TWO REQUIRED) N.T.S.



ITEM	REQ'D	DESCRIPTION
1	4	32"x12"x4" CESSPOOL WITH BELL TRAP
2	7	4" QUARTER BEND
3	1	6"x4" DOUBLE Y
4	1	6" QUARTER BEND

NOTE
 ALL CAST IRON FITTINGS AND SOIL PIPE FOR THE FLOOR DRAINS SHALL BE CLASS 4000 IN ACCORDANCE WITH CSA B70 (ASSOCIATED FOUNDRY OR EQUAL)



ELEVATION

SPIRAL STAIRCASE DETAIL SCALE 3/8"=1'-0"

