

NOTE
FOR CONTINUATION OF OUTSIDE PIPING SEE SHEET 8

FOR LOCATION OF FLOW RECORDERS, PRESSURE RECORDER AND ALARM CONTROL PANEL SEE ELECTRICAL DRAWINGS

SPIRAL STAIR CASE SEE DETAIL (C) 12

3/4" SUPPLY TO DUPLEX FILTER ASSEMBLY

20" SUPPLY TO REARING POND

4 1/2" 0-200 P.S.I. PRESSURE GAUGE c/w SHUT OFF COCK

3/4" 300 LB. TEE

3/4" 200 LB. G.V.

3/4" THREDOLET

2 PEN PRESSURE RECORDER

1/2" G.V.

MANUAL AIR BLEEDER

10" PRV VALVE N°1

10" PRV VALVE N°2

12" PRV VALVE N°3

12" PRV VALVE N°4

LEGEND
- - - CONTROL PIPING ABOVE SLAB
- - - CONTROL PIPING BELOW SLAB

PROFESSIONAL ENGINEER
J. A. WOOD
BRITISH COLUMBIA

NOTE
FOR THREDOLET WELDING DETAILS SEE SHEET 12

LEGEND
| 150 LB. STEEL SLIP-ON FLANGE
| 150 LB. STEEL WELD NECK FLANGE
+ ADJUSTABLE PIPE SUPPORT SEE DETAIL (D) 9
+ FUTURE PIPING BY OTHERS
+ LIFTING EYE IN CEILING SEE DETAIL (D) 12

7 #3 BARS SPACED AS SHOWN
3" COVER (TYP.)

1/2" x 6" F.B. ANCHOR, SHOP WELDED TO STEEL SPECIAL PRIOR TO COATING

2" END COVER (TYP.)
2 #6 @ 9" CONTINUOUS AROUND PERIMETER

#8 DOWELS
3" COVER (TYP.)

TEE ANCHOR FABRICATED FROM 1/2" x 6" F.B.

4 #6 DOWELS @ 10" EACH SIDE

6 #6 U BARS BEND AS SHOWN

3/8" x 5" F.B. BEND AS SHOWN FOR 24" PIPE
5/4" R. FOR 16" PIPE

12 1/4" R. FOR 24" PIPE
5/4" R. FOR 16" PIPE

1" - 10 1/2" FOR 16" PIPE
2" - 6 1/2" FOR 24" PIPE

1/4" x 4" WIDE NEOPRENE
DRILL 1" HOLE FOR 7/8" ANCHOR BOLTS PROJECT 2"

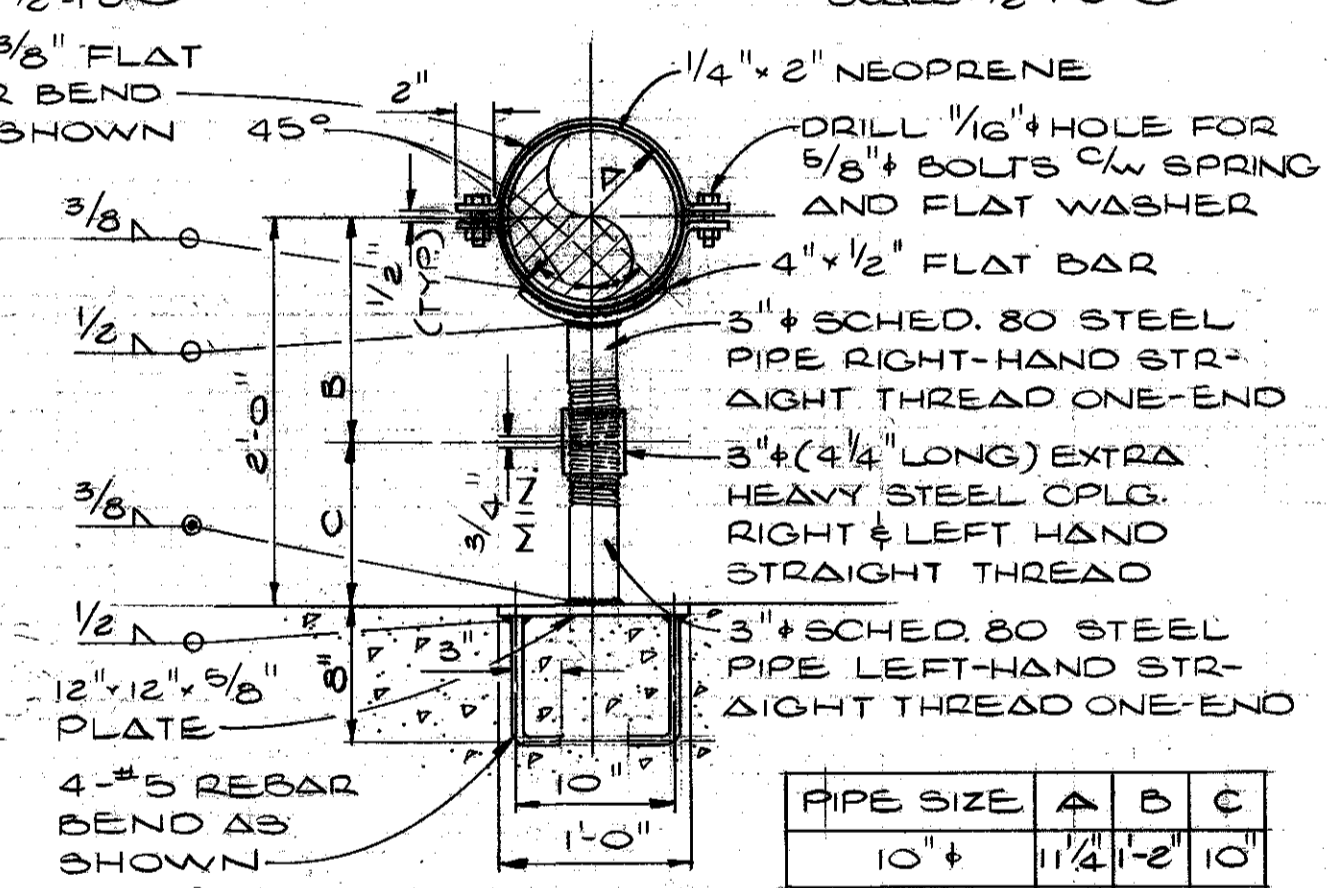
1/4" x 12" WIDE NEOPRENE
#6 DOWEL

3 #6 EACH FACE BEND AS SHOWN

SECTION A-A
DETAIL (A) 9
SCALE: 1/2" = 1'-0"

SECTION B-B
DETAIL (B) 9
SCALE: 1/2" = 1'-0"

SECTION C-C
DETAIL (C) 9
SCALE: 1/2" = 1'-0"



ADJUSTABLE PIPE SUPPORT - DETAIL (D) 9
SCALE: 1" = 1'-0"

NOTES - RE MISC. VALVES & CONTROL PIPING

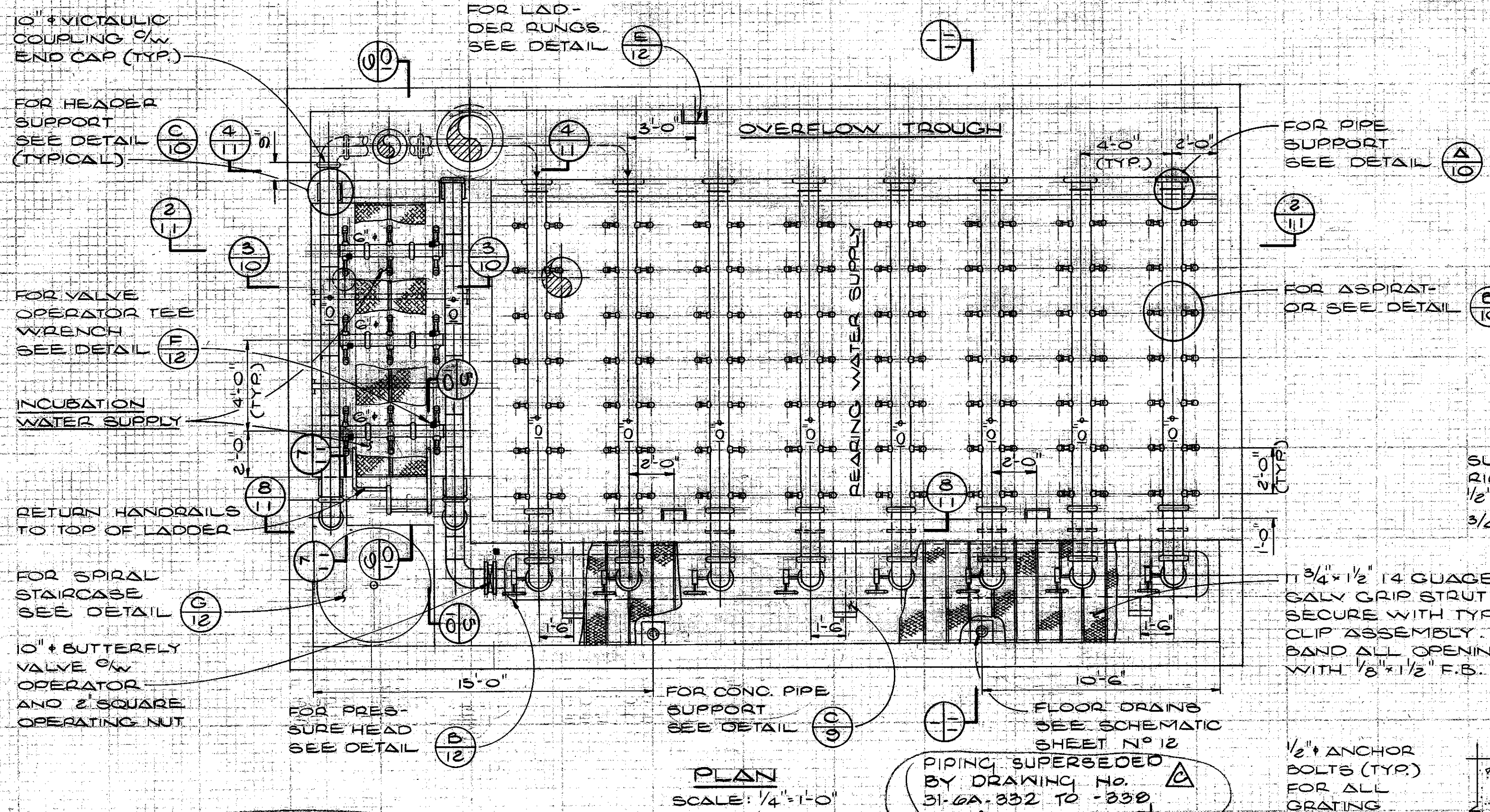
- All valves shall be bronze gate valves (G.V.) with ratings as noted on the drawings (Jenkins or equal).
- All fittings for valve clusters shall be hot dipped galvanized (HDG) Malleable iron (MI) with ratings as noted on the drawings.
- All fittings shall be joined with schedule 80 steel HDG close nipples.
- All connections to main piping shall be made with 3000 lb. standard steel thredolets.
- All Control Piping and Sensing Lines shall be Type K rigid copper with solder fittings, threaded bronze unions shall be installed prior to each connection.
- All pressure gauges shall be Weiss Model 4PGAN-1 c/w fixed 10 sec. snubber & gauge cock.
- All copper pipe embedded in concrete shall be coated with coal tar epoxy.

MATERIAL LIST
MAJOR VALVES, FITTINGS & ACCESSORIES (SHEET 9 ONLY) * SUPPLIED BY DEPARTMENT OF FISHERIES

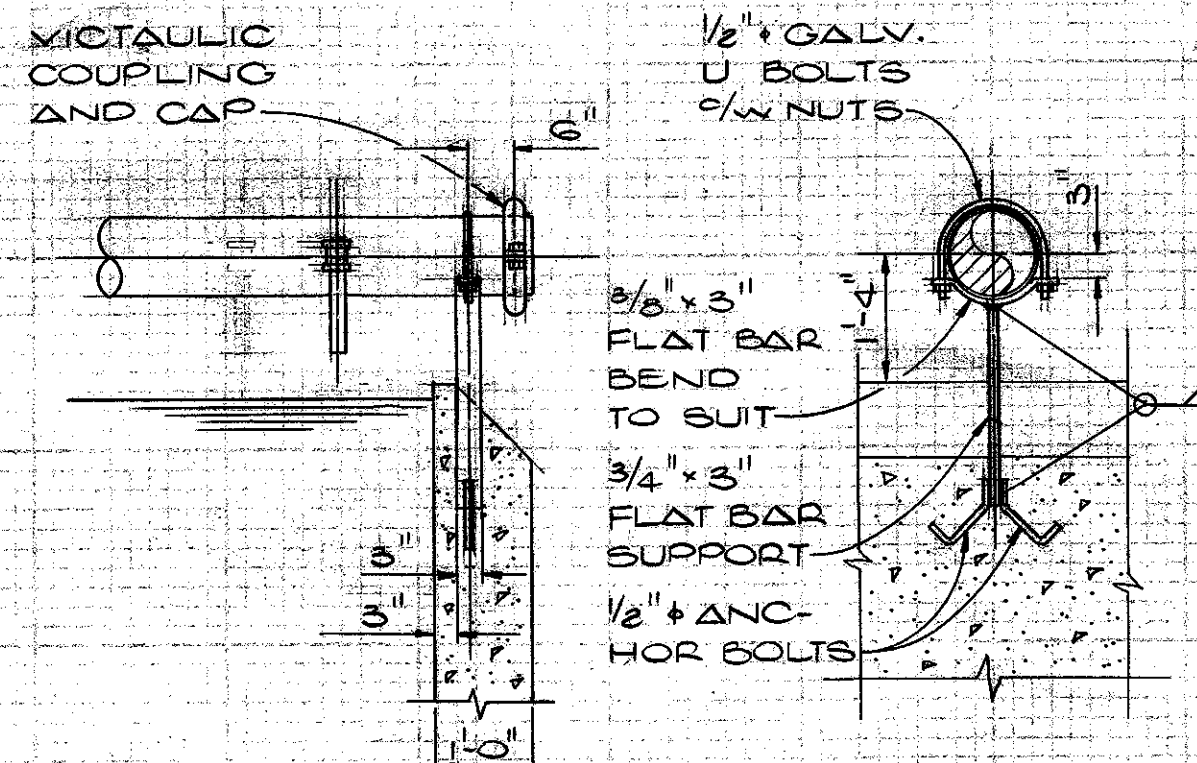
NO.	REQ'D	DESCRIPTION
1	4	18" Insulating Coupling for steel pipe
2	2	18" Flow Meter (See Specifications)
3	3	18" Flange Adaptor for steel pipe
4	1	24" Butterfly Valve complete with Operator
5	3	16" Butterfly Valve complete with Operator
6	2	16" Mechanical Coupling for steel pipe
*7	2	12" Pressure Reducing Valve
8	2	12" Butterfly Valve complete with Operator
*9	2	10" Pressure Reducing Valve
10	2	12" Mechanical Coupling for steel pipe
11	1	24" Mechanical Coupling for steel pipe
12	1	12" Victaulic Coupling c/w Victaulic End Cap
13	1	12" Mechanical Transition Coupling (steel x ductile iron)
14	1	20" Mechanical Coupling for steel pipe
15	1	6" Mechanical Transition Coupling (steel x ductile iron)
16	1	4" pressure reducing Valve
17	1	4" butterfly valve complete with Operator
18	1	4" Flange Adaptor

IMPORTANT NOTE
 HEADER PIPING & ASPIRATORS
 REPLACED BY NEW PIPING SYSTEM.
 SEE DRAWINGS 31-6A-332 TO -338,
 CONTRACT No. 89-1 FOR DETAILS.

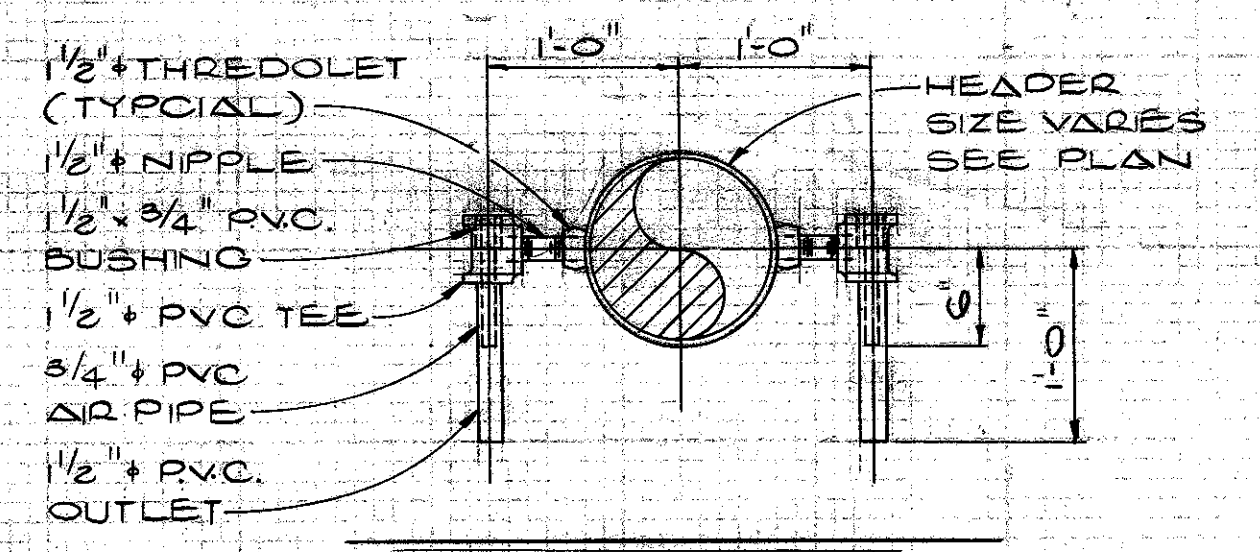
LEGEND
 150 LB. STEEL SLIP-ON FLANGE
 150 LB. STEEL WELD NECK FLANGE
 FUTURE PIPING BY OTHERS



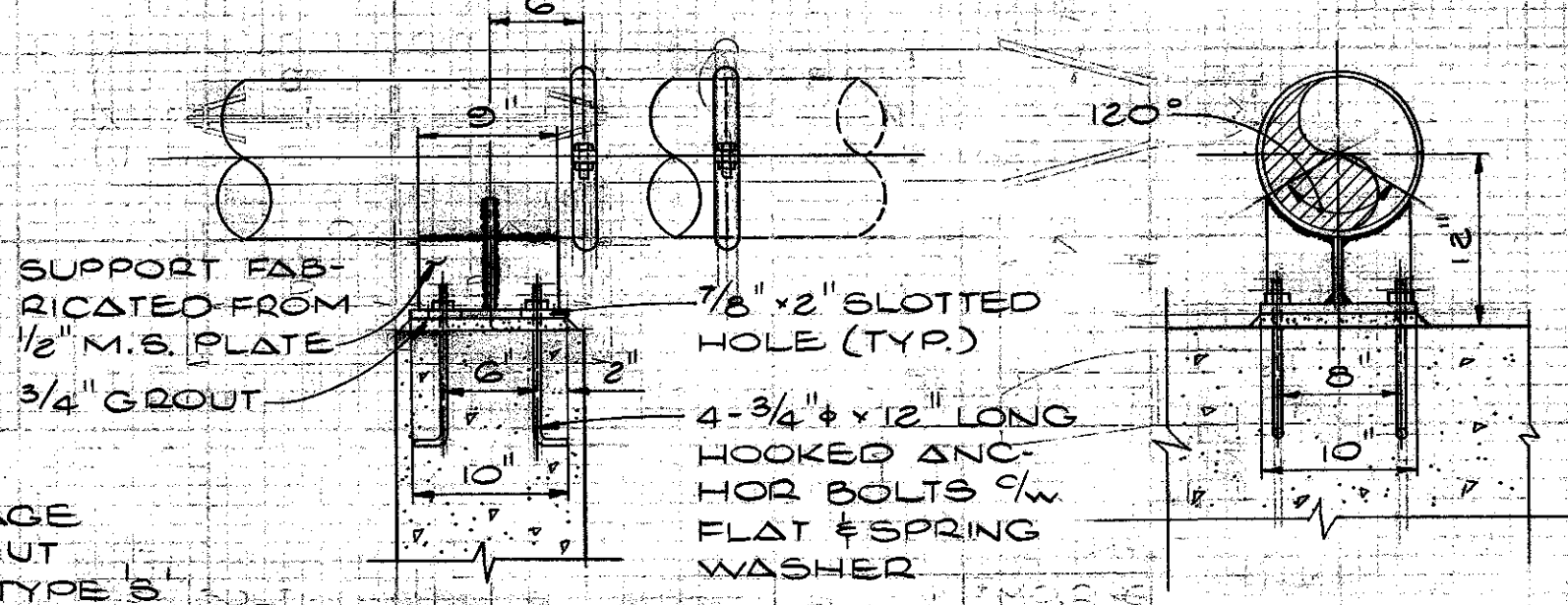
PLAN
 SCALE: 1/4"=1'-0"



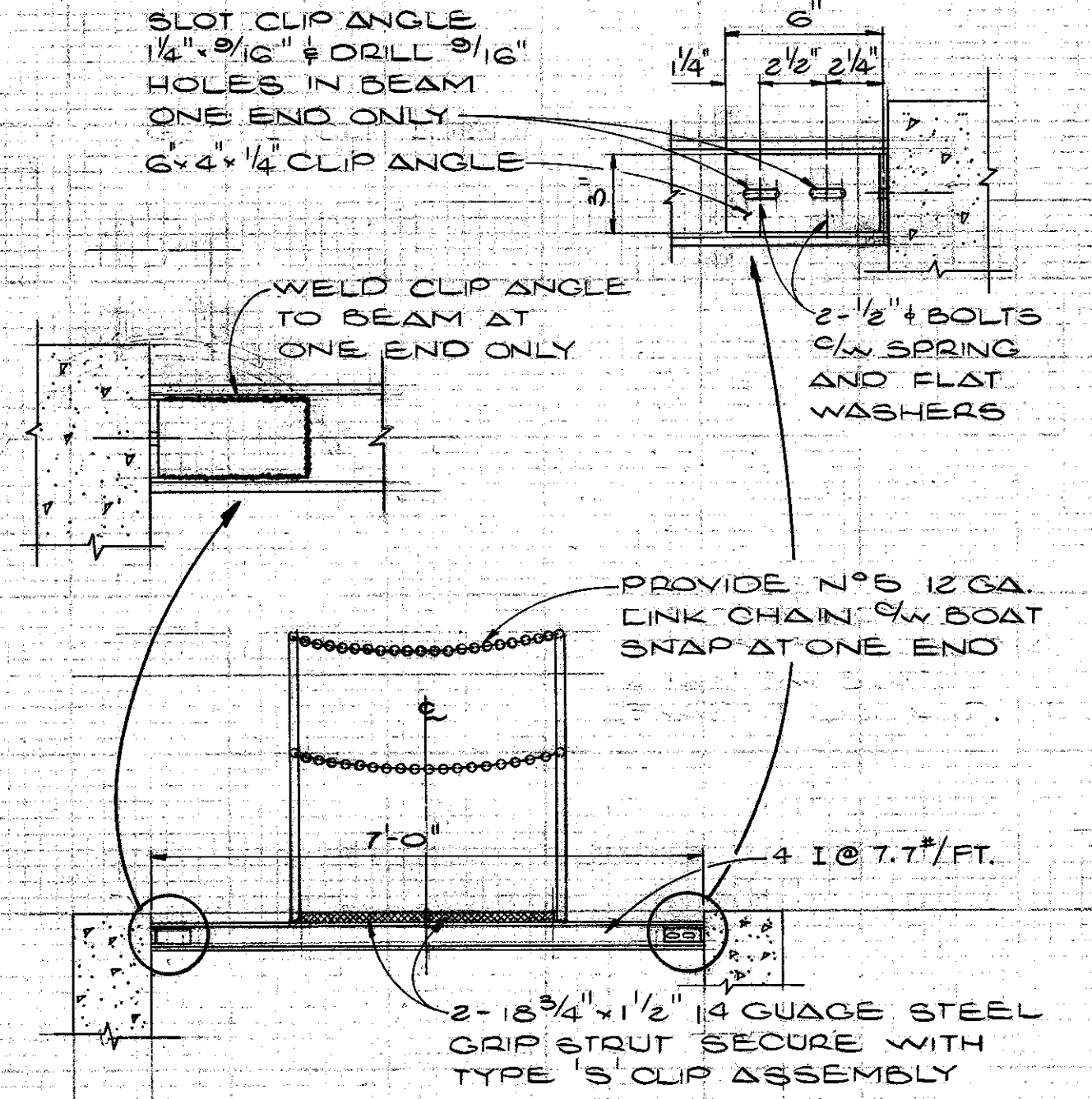
BEARING WATER ASPIRATOR HEADER SUPPORT DETAIL
 SCALE: 1/2"=1'-0"



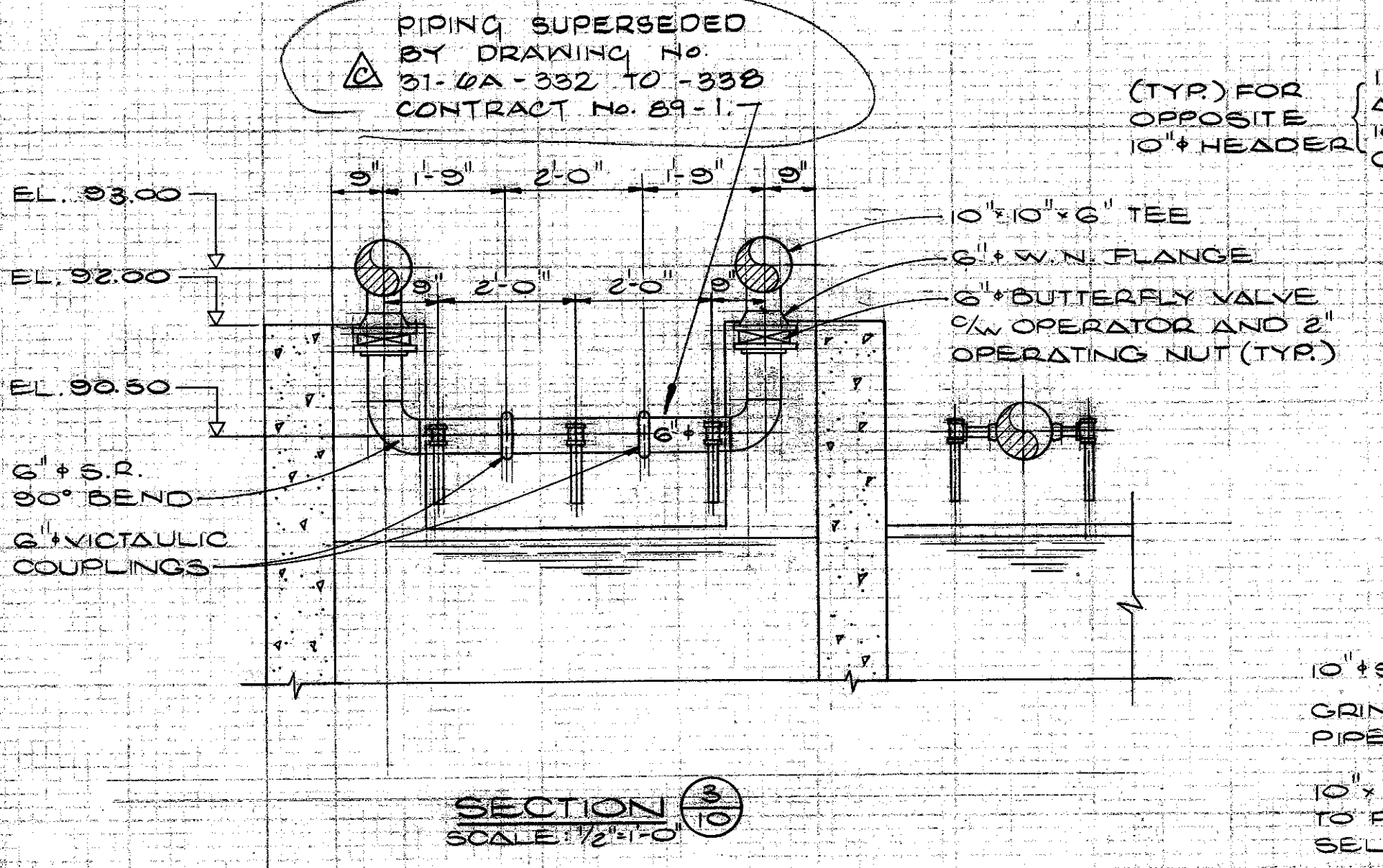
ASPIRATOR - DETAIL
 SCALE: 1"=1'-0"



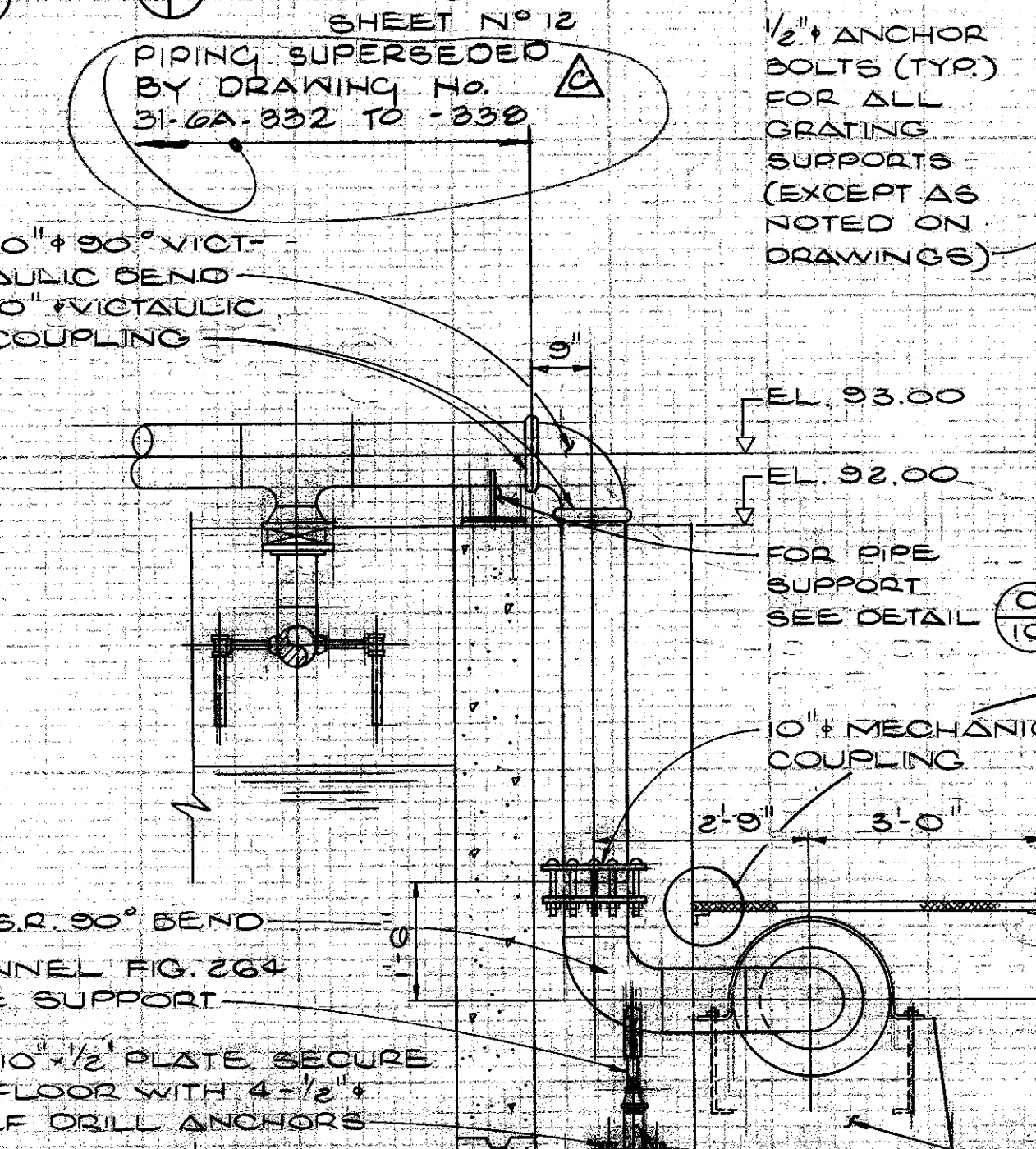
INCUBATION WATER ASPIRATOR HEADER SUPPORT DETAIL
 SCALE: 1"=1'-0"



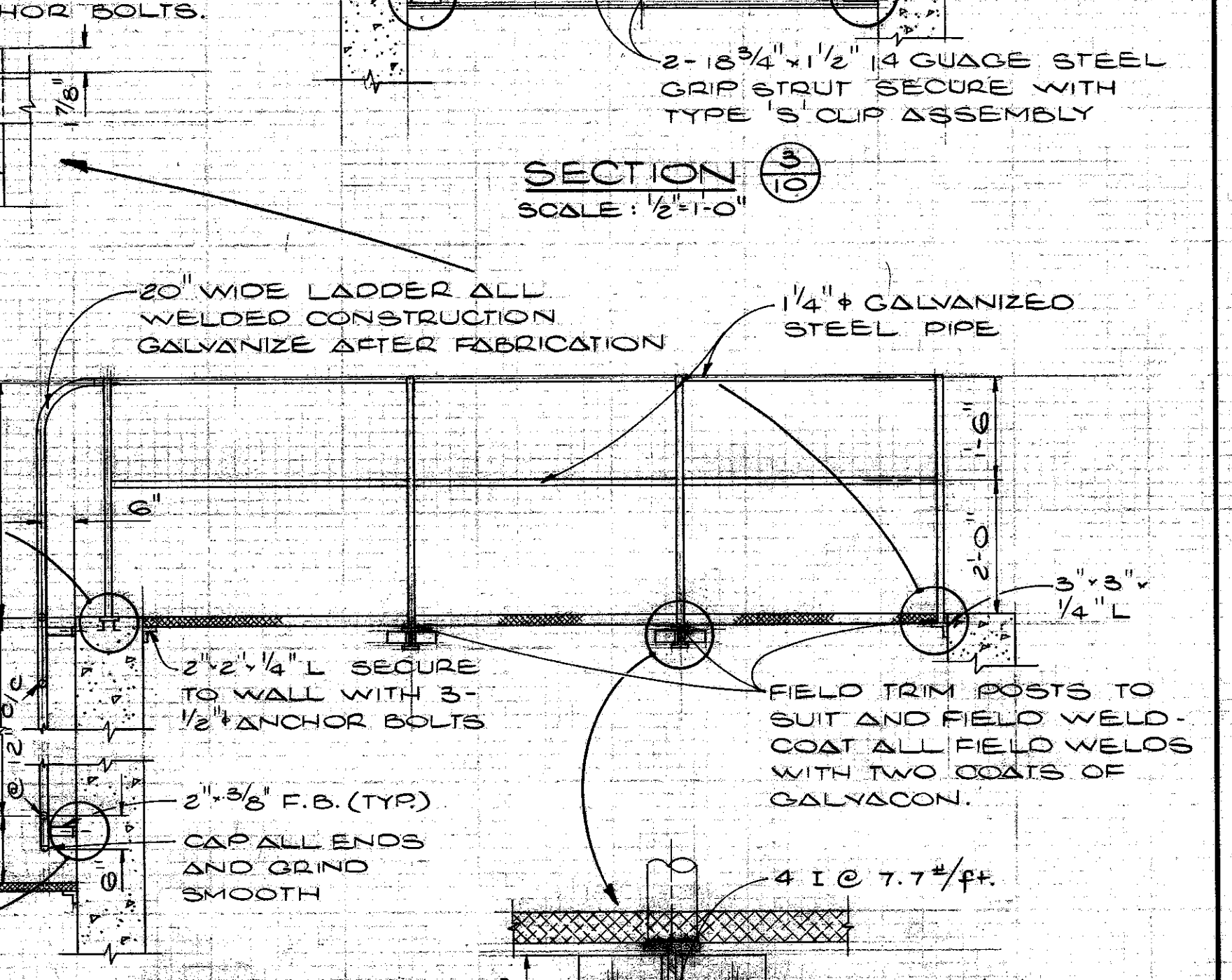
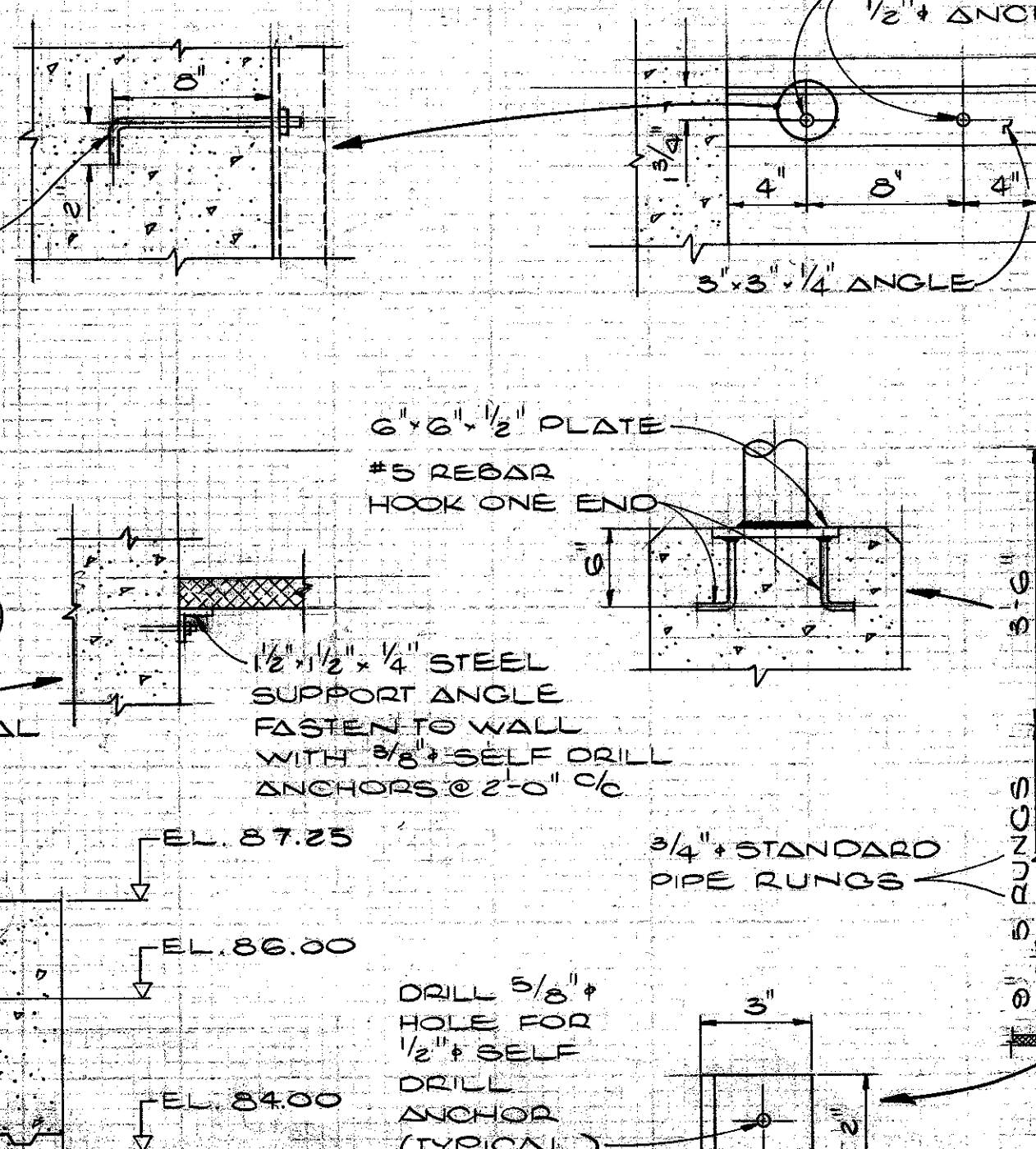
SECTION
 SCALE: 1/2"=1'-0"



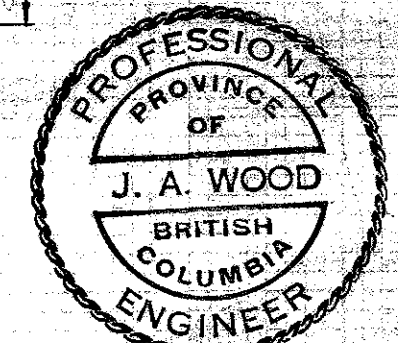
SECTION
 SCALE: 1/2"=1'-0"



SECTION
 SCALE: 1/2"=1'-0"



SECTION
 SCALE: 1/2"=1'-0"



REVISIONS	ISSUE	DATE	DRN	CHKD	APPD	DESCRIPTION
B	20/1/79	JK	JAN			AS CONSTRUCTED
C	24/1/89	GR				HEADER PIPING REVISED IN 1989

DEPARTMENT OF FISHERIES AND THE ENVIRONMENT
 FISHERIES MANAGEMENT-PACIFIC REGION
 RECOMMENDED APPROVED APPROVES

DESIGNED: J.A.W.
 DRAWN: RK
 CHECKED: JW

KERR WOOD LEIDAL ASSOCIATES LTD.
 CONSULTING ENGINEERS
 28/4/78

DEPARTMENT OF FISHERIES & THE ENVIRONMENT
 PUNTLEGE RIVER HATCHERY
 AERATION BUILDING-UPPER FLOOR PLAN
 AERATION PIPING AND MISC. DETAILS

SCALE: AS SHOWN
 DRAWING No. 13.76-1
 SHEET 10 OF 32 ISSUE 6
 31-6-213