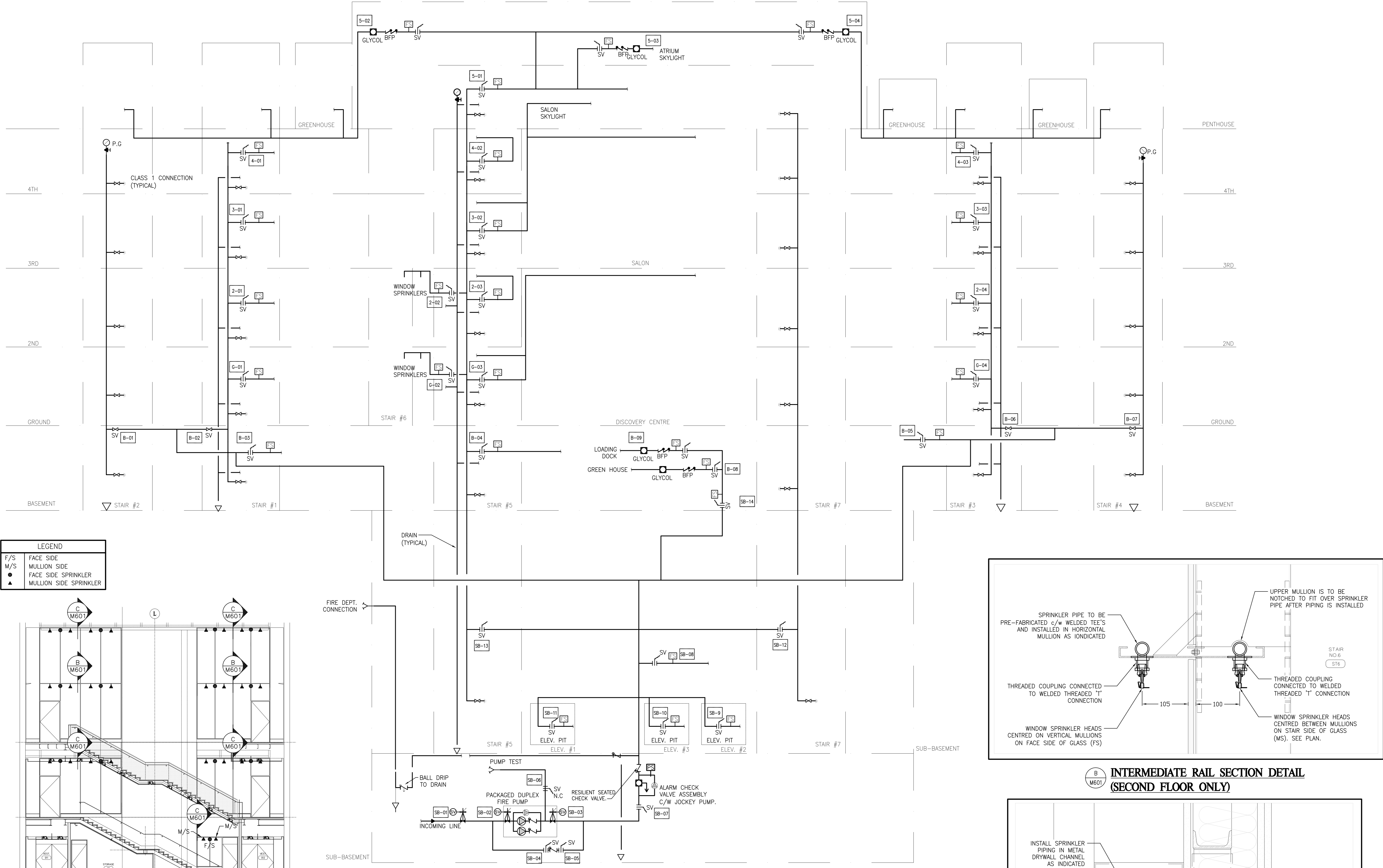
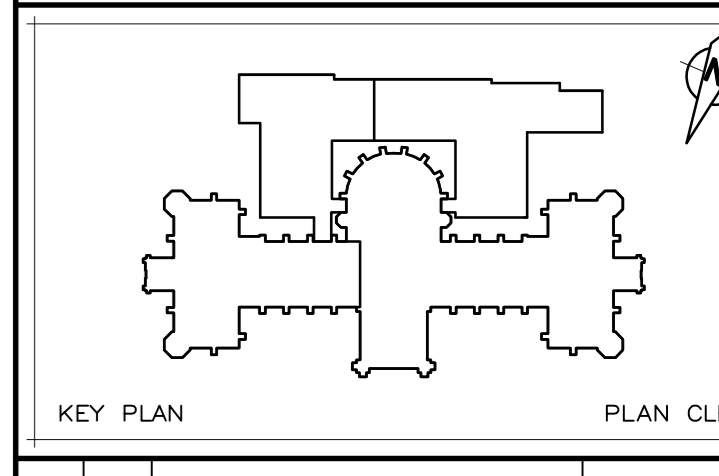
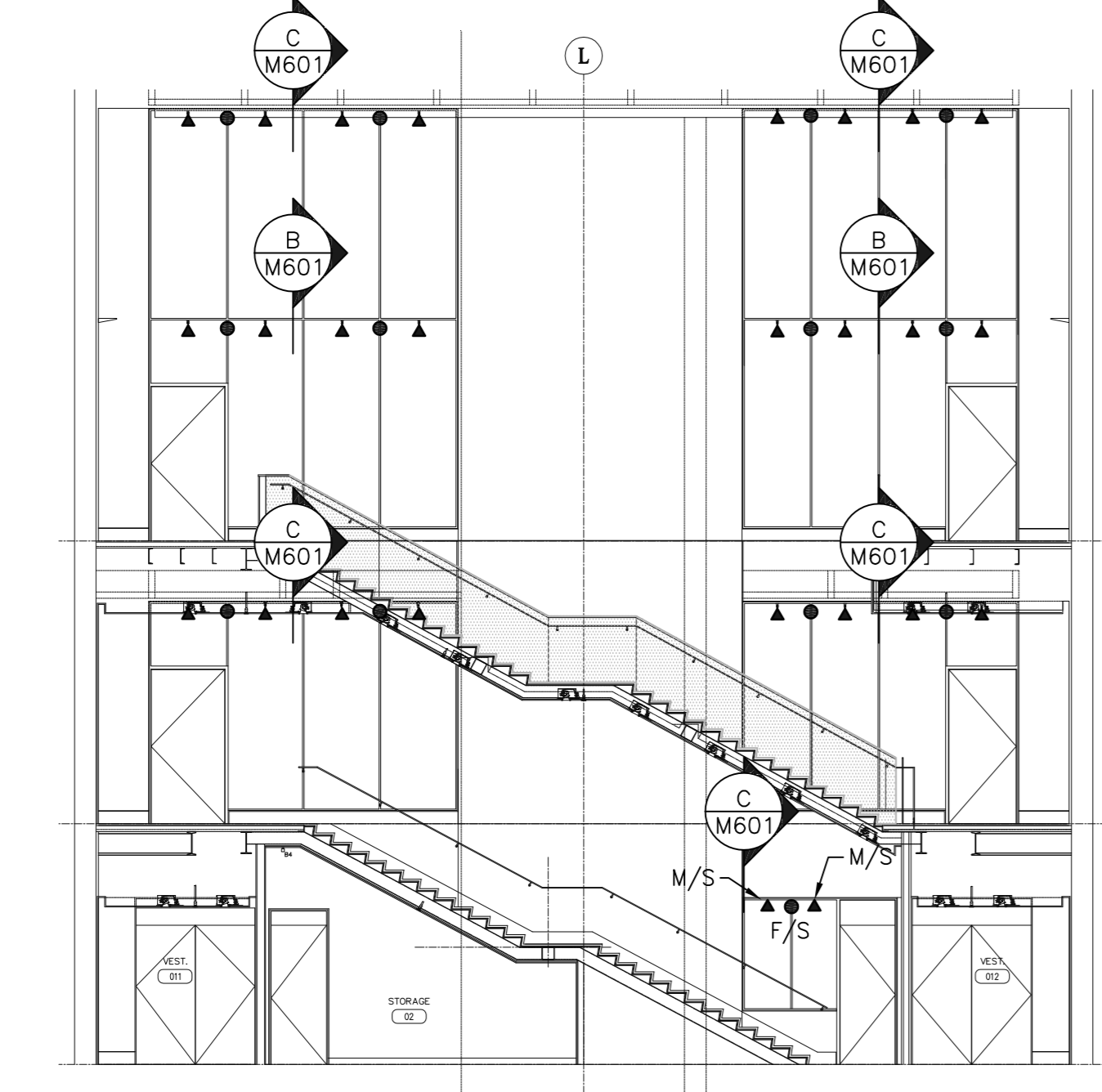


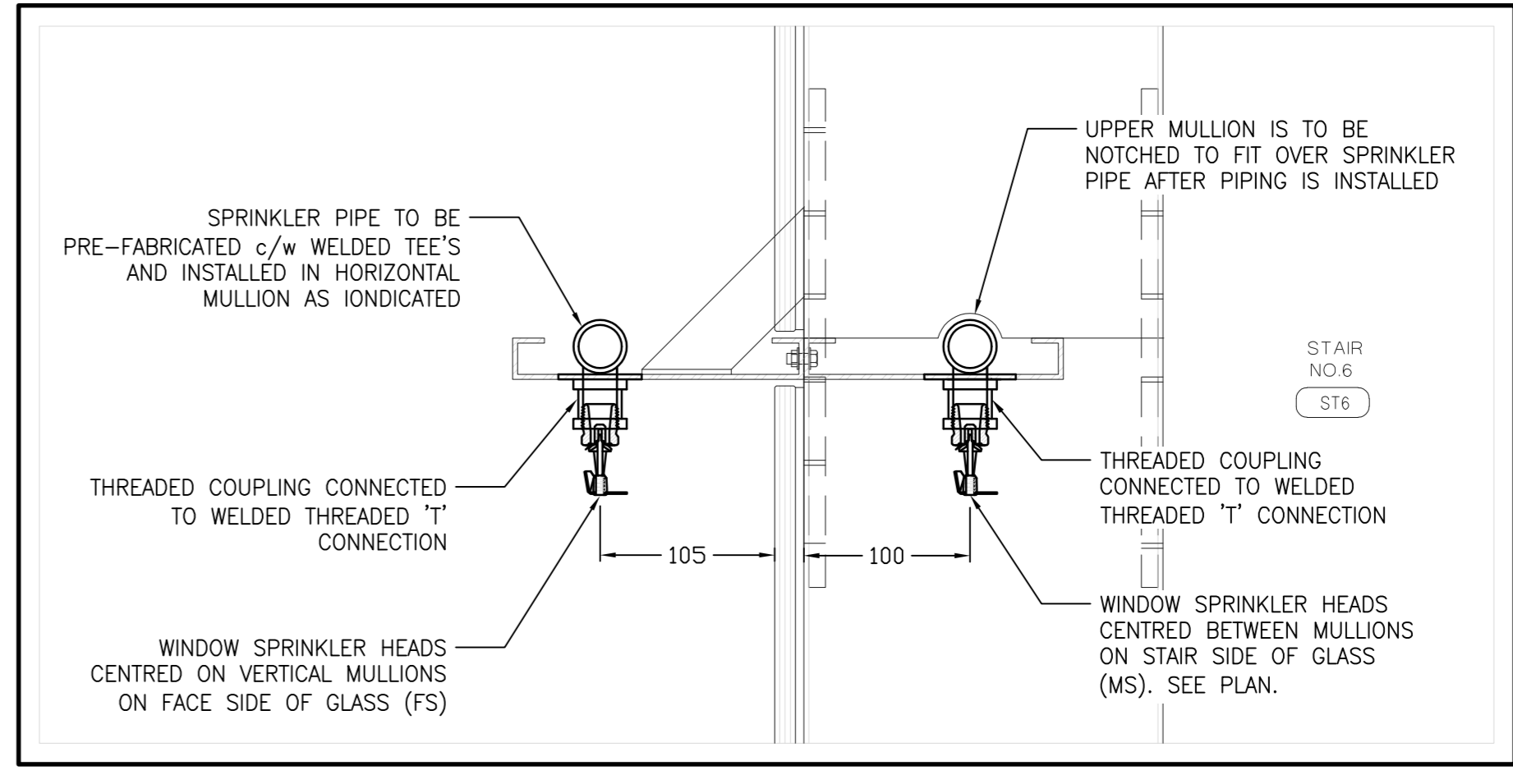
RECORD DRAWING
THESE RECORD DOCUMENTS HAVE BEEN PREPARED BASED ON INFORMATION PROVIDED BY OTHERS. GENIVAR HAS NOT VERIFIED THE ACCURACY AND/OR COMPLETENESS OF THIS INFORMATION AND SHALL NOT BE RESPONSIBLE FOR ANY ERRORS OR OMISSIONS THAT MAY BE INCORPORATED AS A RESULT OF ERRONEOUS INFORMATION PROVIDED BY OTHERS. GENIVAR RECOMMENDS THAT EXISTING INSTALLATIONS BE VERIFIED ON SITE.
17/AUG/2010



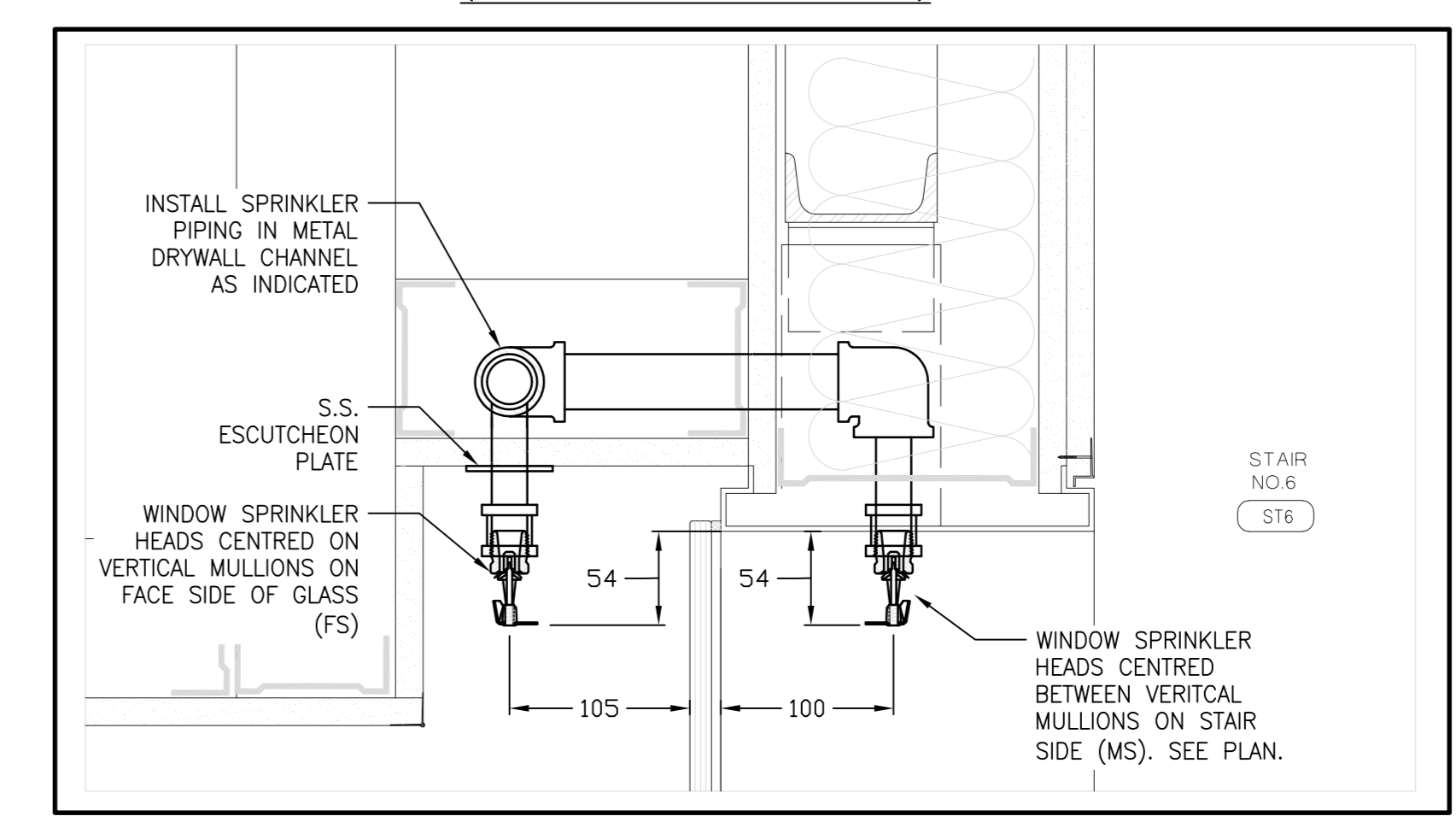
LEGEND
F/S FACE SIDE
M/S MULLION SIDE
● FACE SIDE SPRINKLER
▲ MULLION SIDE SPRINKLER



STAIR 6 SECTION



INTERMEDIATE RAIL SECTION DETAIL (SECOND FLOOR ONLY)



GLAZED SCREEN SECTION HEAD DETAIL

FIRE-PROTECTION AND SPRINKLER DIAGRAM

no.	description	date
11	REVISED TO AS-BUILT	17 AUG 10
10	MS-259 ISSUED FOR MS1 COORDINATION	18 JULY 08
07	MS-142-ISSUED FOR MS1 COORDINATION	31 MAR 06
06	ISSUED FOR CONSTRUCTION	24 MAY 05
05	ISSUED FOR SITE DEVELOPMENT SITE	23 DEC 08
04	TENDER ISSUE	25 NOV 04
04	ISSUED FOR TP4 TENDER READY	15 OCT 04
02	ISSUED FOR TP4 CONSTRUCTABILITY REVIEW	30 AUG 04
01	ISSUED FOR TP4 - 66%	2 APR 04

no.	description	date
A	A detail no.	
B	B location drawing no.	
C	C drawing no.	

project	project
VICTORIA MEMORIAL MUSEUM BUILDING Rehabilitation project	PROJET DE RÉHABILITATION DE L'ÉDIFICE COMMÉMORATIF VICTORIA

drawing	dessin
FIRE PROTECTION AND SPRINKLER SCHEMATIC	

measured	mesuré
date	date
drawn M.W.	dessiné
date 15 OCT 04	
reviewed E.W.	examiné
date 15 OCT 04	
approved M.C.	approuvé
date 15 OCT 04	
tender MARIA SOMJEN	soumission
PWC Project Manager	Administrateur de projets TPC
project no. 436914	no. du projet
drawing no. TP4/C-M601	no. du dessin