



National Defence

Défense nationale

National Defence Headquarters  
Ottawa, Ontario  
K1A 0K2

Quartier général de la Défense nationale  
Ottawa (Ontario)  
K1A 0K2

## REQUEST FOR PROPOSAL DEMANDE DE PROPOSITION

### RETURN BIDS TO: RETOURNER LES SOUMISSIONS À:

Bid Receiving – PWGSC / Réception des  
soumissions - TPSGC  
11 Laurier St. / 11 rue Laurier  
Place du Portage, Phase III  
Core 0B2 / Noyau 0B2  
Gatineau  
Québec  
K1A 0S  
Bid Fax: (819) 997-9776

#### Proposal To: National Defence Canada

We hereby offer to sell to Her Majesty the Queen in right of Canada, in accordance with the terms and conditions set out herein, referred to herein or attached hereto, the goods and services listed herein and on any attached sheets at the price(s) set out therefore.

#### Proposition à : Défense nationale Canada

Nous offrons par la présente de vendre à Sa Majesté la Reine du chef du Canada, aux conditions énoncées ou incluses par référence dans la présente et aux annexes ci-jointes, les biens et services énumérés ici et sur toute feuille ci-annexée, au(x) prix indiqué(s).

#### Solicitation Closes – L'invitation prend fin

At – à : 14 :00 EST

On - le : 20/Jan/2017

<b>Title/Titre</b> PUMP ROTARY / POMPE,ROTATIVE	<b>Solicitation No – N° de l'invitation</b> W8482-178745
<b>Date of Solicitation – Date de l'invitation</b> 29-11-2016	
<b>Address Enquiries to – Adresser toutes questions à</b>  Roxanne.cairney@forces.gc.ca	
<b>Telephone No. – N° de téléphone</b> 819-939-3070	<b>FAX No – N° de fax</b> N/A
<b>Destination</b>  Specified Herein / Précisé dans les présentes	

#### Instructions:

**Municipal taxes are not applicable. Unless otherwise specified herein all prices quoted must include all applicable Canadian customs duties, GST/HST, excise taxes and are to be delivered Delivery Duty Paid including all delivery charges to destination(s) as indicated. The amount of the Goods and Services Tax/Harmonized Sales Tax is to be shown as a separate item.**

**Instructions: Les taxes municipales ne s'appliquent pas. Sauf indication contraire, les prix indiqués doivent comprendre les droits de douane canadiens, la TPS/TVH et la taxe d'accise. Les biens doivent être livrés « rendu droits acquittés », tous frais de livraison compris, à la ou aux destinations indiquées. Le montant de la taxe sur les produits et services/taxe de vente harmonisée doit être indiqué séparément.**

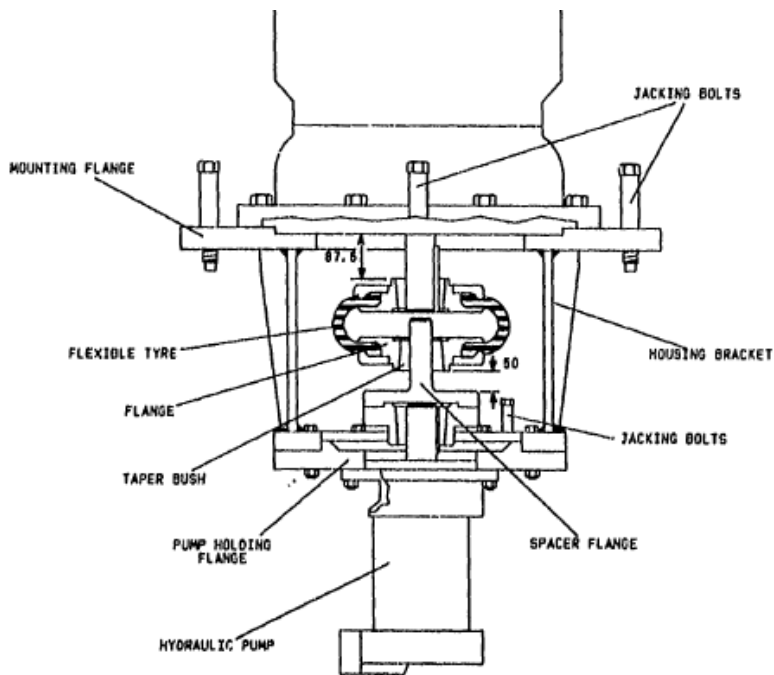
Delivery required - Livraison exigée	Delivery offered - Livraison proposée
Vendor Name and Address - Raison sociale et adresse du fournisseur	
Name and title of person authorized to sign on behalf of vendor (type or print) - Nom et titre de la personne autorisée à signer au nom du fournisseur (caractère d'imprimerie)	
Name/Nom _____	Title/Titre _____
Signature _____	Date _____

This Solicitation Amendment 001 is raised to:

- 1) Extend the bid closing date to January 20th, 2017.
- 2) Answer (A) the question (Q) received as follows:

Q1: Can we find out if this pump is piped in with rigid pie or flex lines, is there a drawing of the installation available.

A1: The pump is hooked to the system via flexible connection  
Original OEM : Lucas Fluid Power Ltd  
Output 60 litres per minute at 207 bar and 1760 rev/min  
3 stages (to reduce noise)  
Attaches to a Mawdsley Ltd 26KW rated motor  
Picture showing the pump and motor connection point:



NOTE  
ALL DIMENSIONS ARE mm

Fig 13 Arrangement of Pump and Motor

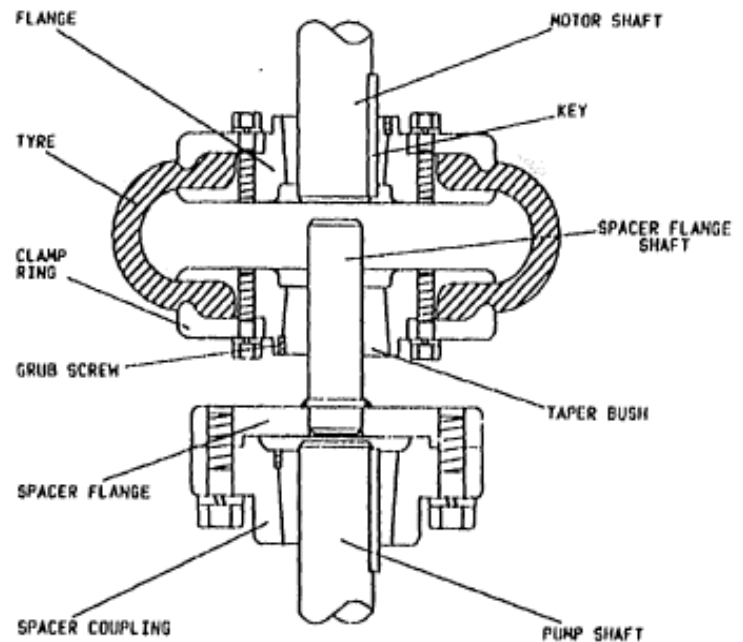


Fig 14 Flexible Coupling

Q2: Please send us Technical Specification of required item

A2: From the original drawing this is what we have:

DESCRIPTION	MATERIAL OR RAW MAT. PART REF.	SPECIFICATION	QC DOC. CLASS	MANUFACTURED SUPPLIED OR ORDERED BY	ORDER OR STOCK No.
5-H3-50 HYDRAULIC PUMP - 207 bar.	—	—		LUCAS	Y/61/0113

Q3: Please clarify part 5.2.4 (Additional Information Precedent to Contract Award) of tender document . what should we do for this part? Required DEMINERALIZER,WATER,ION EXCHANGE will connected to this pump?

A3: These pumps need to be able to connect to both an AC and DC motor.

No water is used in this application – these are used on our Hydraulic Plant

Any or all information that a potential bidder can provide on his product will allow us to properly evaluate the offered item. Power consumption, RPM, size, ect.

3) Update Annex B

**ALL OTHER TERMS AND CONDITIONS REMAIN UNCHANGED.**