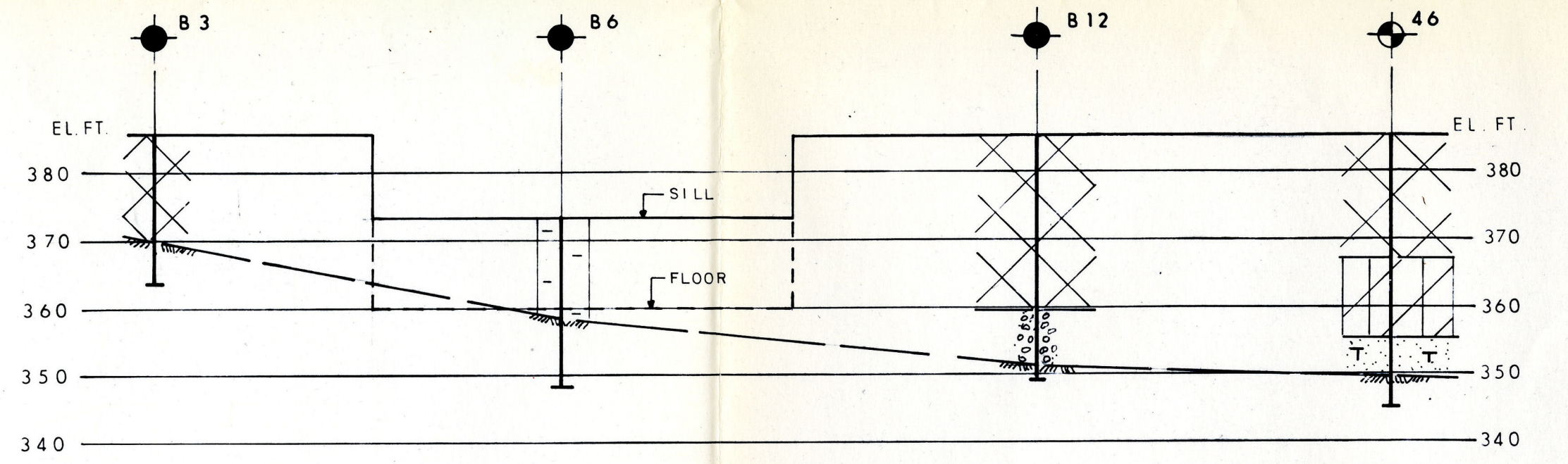
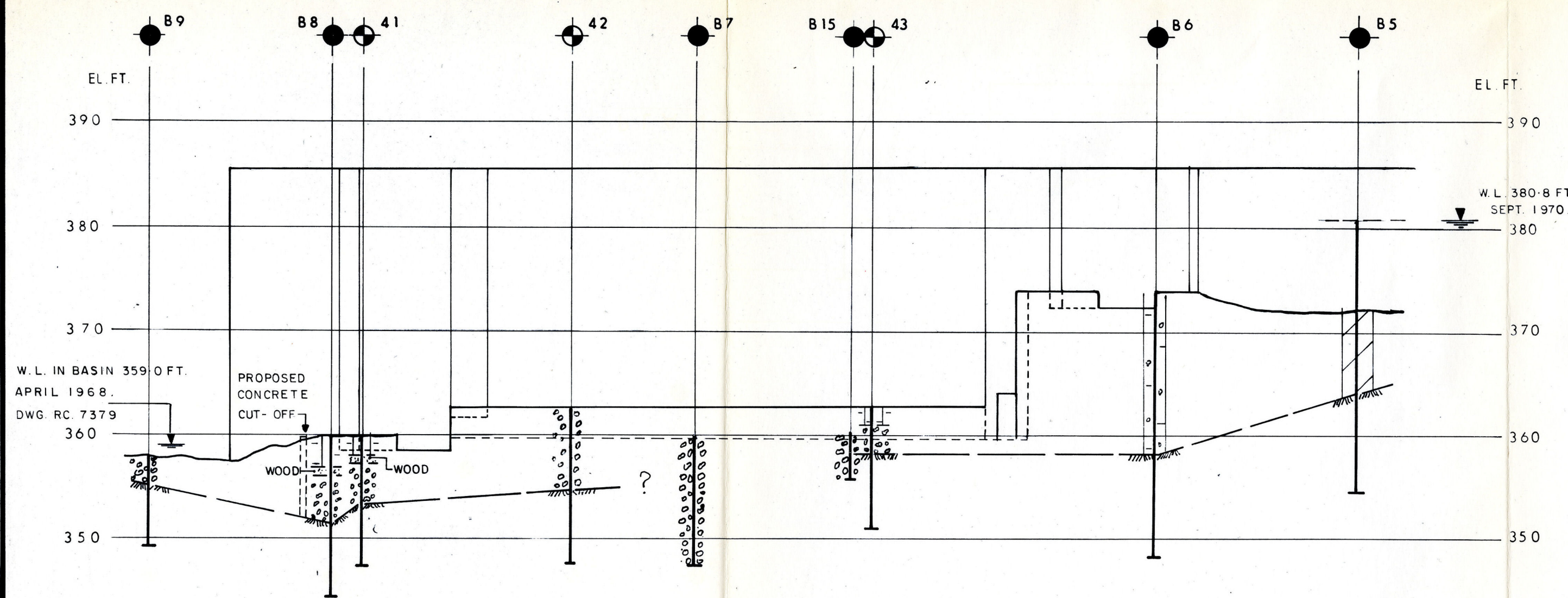
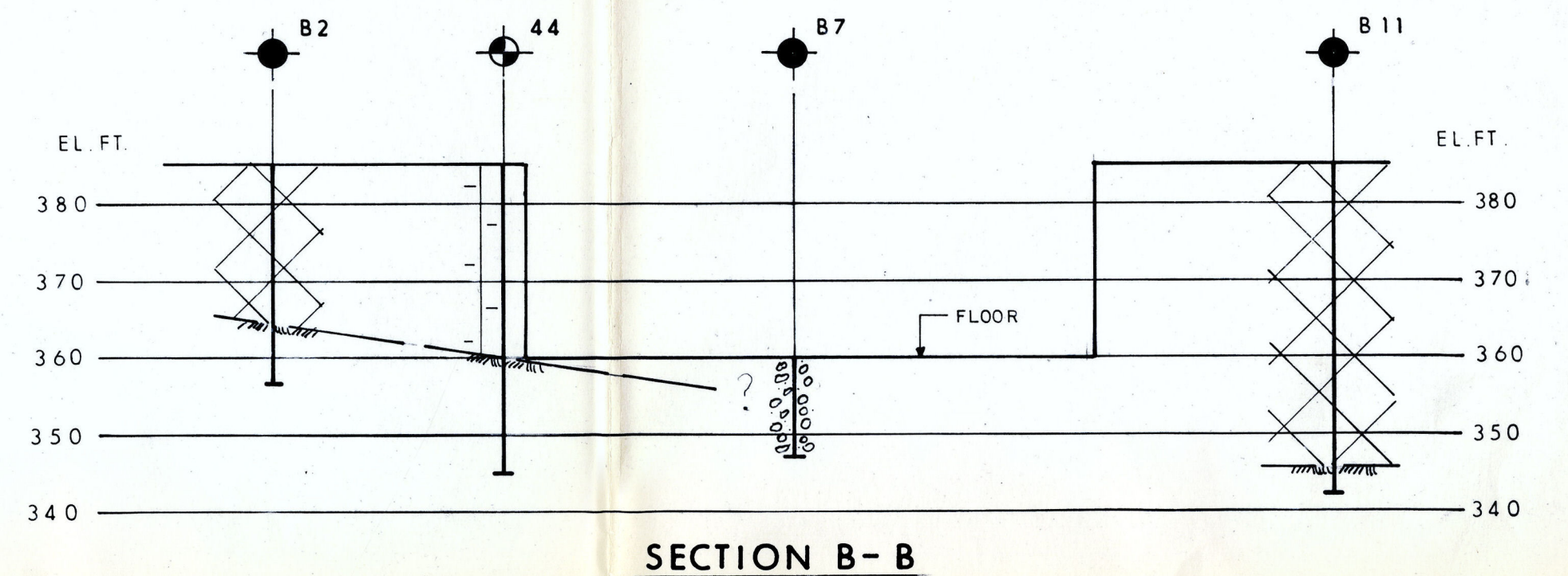
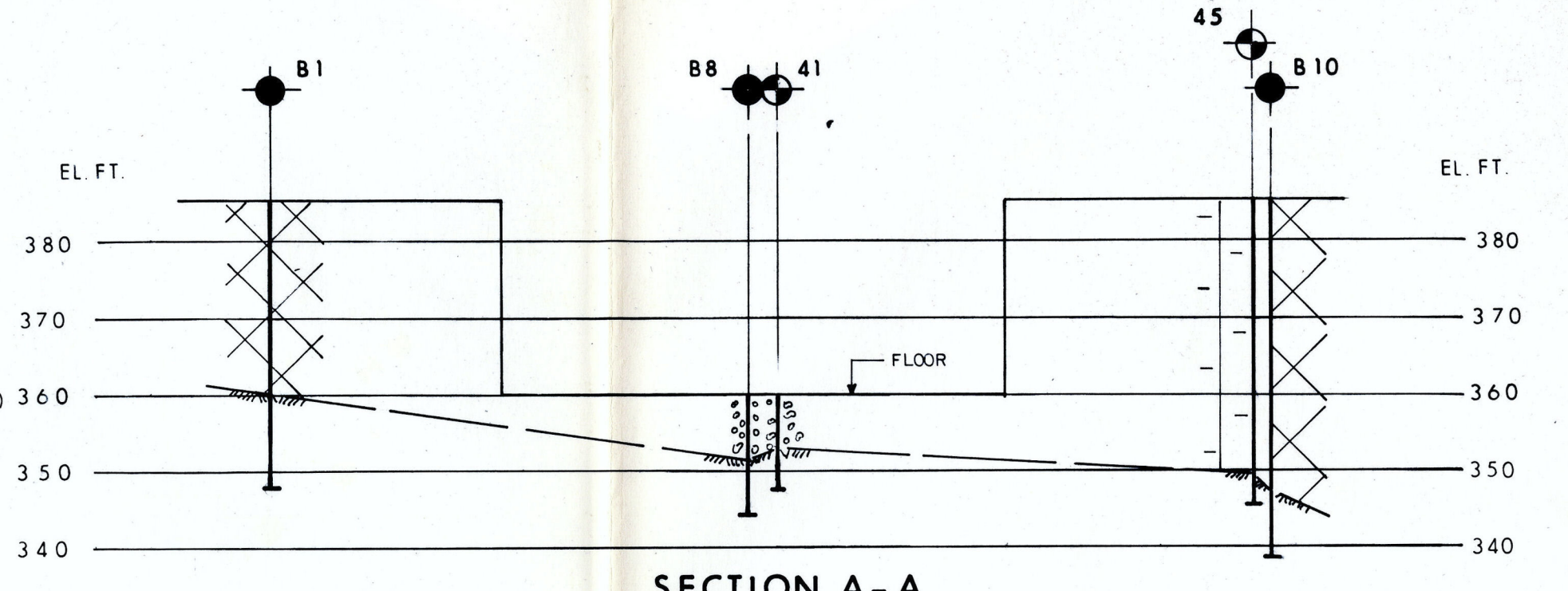


**LEGEND**

- 41 DENOTES BOREHOLE BY DOMINION SOIL.
- B3 DENOTES BOREHOLE BY BUTTS, ROSS, MAGWOOD AND HALL LTD. (REF. 10-259-L)



**LEGEND**

- [-] MASONRY
- [o] RUBBLE
- [//] BEDROCK
- [X] CLAY, SILT AND SAND FILL
- [/] CLAY AND SILT
- [.] SANDY TILL

<b>ONTARIO REGION, PARKS CANADA.</b>					
<b>JONES FALLS, LOCK STATION</b>					
JONES FALLS, ONT.					
<b>BOREHOLE LOCATION PLAN, PROFILE &amp; SECTIONS</b>					
DOMINION SOIL INVESTIGATION LIMITED CONSULTING SOIL & FOUNDATION ENGINEERS					
SCALE AS SHOWN	DATE MAR. 1977	DRAWN BY FL	APPROVED BY	REF. No. 77-2-1	DWG. No. 1