

DATE: January 12, 2016  
PROJECT No. 3042.05  
PROJECT NAME: Fire Hydrant Replacement - WHI - R.082511.001

Page 1

### Civil Addendum

---

---

1. This Addendum shall be read in conjunction with and considered as an integral part of the Contract Documents; revisions supercede the information contained in the original drawings, specifications or previously issued Addendum.
2. Tender Price submitted shall include all items of this Addendum.
3. No consideration will be allowed for any extras due to any bidder not being familiar with the contents of this Addendum.

**1. Refer to Section 33 11 16, item 3.13.1, Painting of Hydrants;**

- a. Replace the item with the following wording

.1 After installation, paint hydrants red. Hydrants shall be factory painted with a standard marine enamel.

**2. Refer to Section 31 00 99, item 3.3.2, Excavation;**

- a. Add item 3.3.2.4 to read, "Dispose of surplus or unsuitable material in an approved location off-site."

**3. Refer to Section 31 00 99, item 3.5, Contaminated Material;**

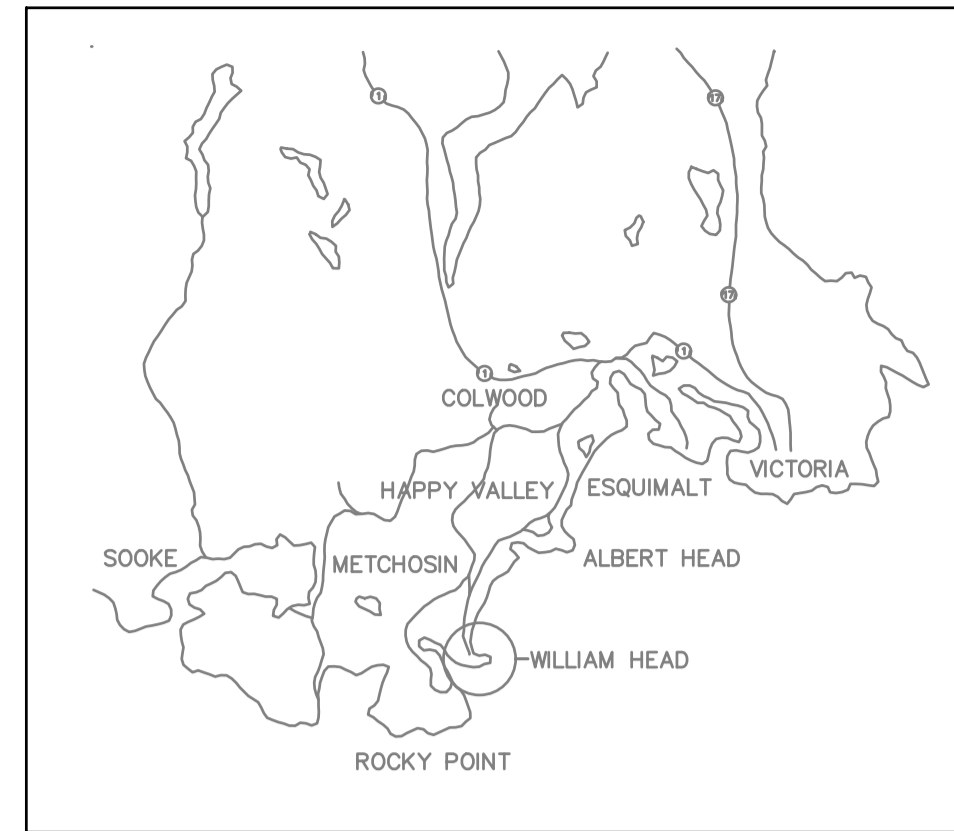
- a. Add the following items

.2 All existing water piping is to be assumed to be Asbestos Cement (AC) pipe; as such, handling of the piping is to be done in accordance with Worksafe BC and local regulations.

.3 Should some, or all, piping be discovered to not be Asbestos Cement, the contractor will be required to issue a credit to the project for not being required to handle the material in a specialized manner.

**4. Refer to the attached drawings C01, C02, C03, all revision 3, Issued for Addendum, dated, 17-01-16;**

- a. Numbering of the fire hydrants has been revised to match the requirement of the William Head Institute
- b. The tables at the lower left of drawings C02 & C03 have been revised to delete the column "Hydrant & Valve Box".



LOCATION MAP



5		
4		
3	ISSUED FOR ADDENDUM	17-01-16
2	ISSUED FOR TENDER	16-11-28
1	ISSUED FOR TENDER	16-11-04
0	ISSUED FOR 99%	16-10-14
Revision/	Description/Description	Date/Date
Client/client		

**WILLIAM HEAD INSTITUTION**  
6000 WILLIAM HEAD ROAD  
VICTORIA, BC

Project title/Titre du projet

**FIRE HYDRANT REPLACEMENT**

Consultant Signature Only

Designed by/Conçue par  
NF

Drawn by/Dessiné par  
BB / SEPT 2016

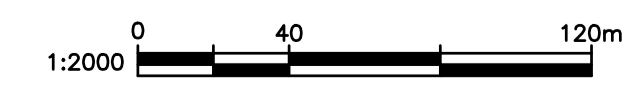
PWGSC Project Manager/Administrateur de Projets TPSGC  
PATRICK TRUONG

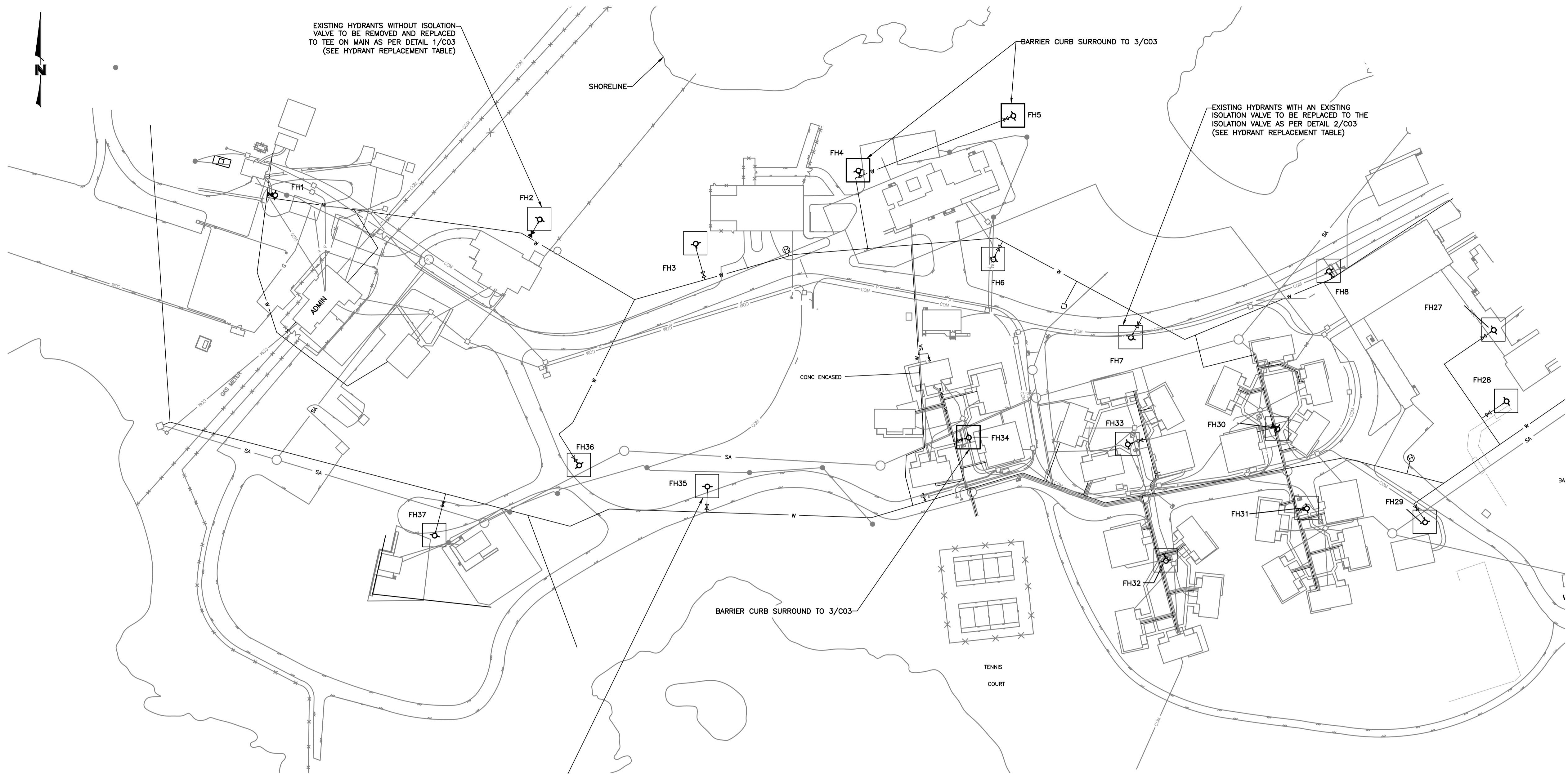
Regional Manager, Architectural and Engineering Services  
Gestionnaire régionale, Services d'architectural et de génie, TPSGC

Drawing title/Titre du dessin

**KEY PLAN**

C01	KEY PLAN
C02	HYDRANT LOCATION PLAN - WEST DETAILS
C03	HYDRANT LOCATION PLAN - EAST DETAILS





EXISTING HYDRANTS WITHOUT ISOLATION VALVE TO BE REMOVED AND REPLACED TO TEE ON MAIN AS PER DETAIL 1/C03 (SEE HYDRANT REPLACEMENT TABLE)

EXISTING HYDRANTS WITH AN EXISTING ISOLATION VALVE TO BE REPLACED TO THE ISOLATION VALVE AS PER DETAIL 2/C03 (SEE HYDRANT REPLACEMENT TABLE)

EXISTING HYDRANTS WITH GROUND FLANGE AND ISOLATION VALVE TO BE REMOVED AND REPLACED FROM GROUND FLANGE UP. REPLACE EXISTING VALVE BOX WITH CAST IRON SQUARE VALVE BOX AS PER DETAIL 1/C02 (SEE HYDRANT REPLACEMENT TABLE)

5		
4		
3	ISSUED FOR ADDENDUM	17-01-16
2	ISSUED FOR TENDER	16-11-28
1	ISSUED FOR TENDER	16-11-04
0	ISSUED FOR 99%	16-10-14
Revision/	Description/Description	Date/Date

Client/client

**WILLIAM HEAD INSTITUTION**  
6000 WILLIAM HEAD ROAD  
VICTORIA, BC

Project title/Titre du projet

**FIRE HYDRANT REPLACEMENT**

Consultant Signature Only

Designed by/Conçue par  
NF

Drawn by/Dessiné par  
BB / SEPT 2016

PWGSC Project Manager/Administrateur de Projets TPSGC  
PATRICK TRUONG

Regional Manager, Architectural and Engineering Services  
Gestionnaire régionale, Services d'architectural et de génie, TPSGC

Drawing title/Titre du dessin

**HYDRANT LOCATION PLAN - WEST DETAILS**

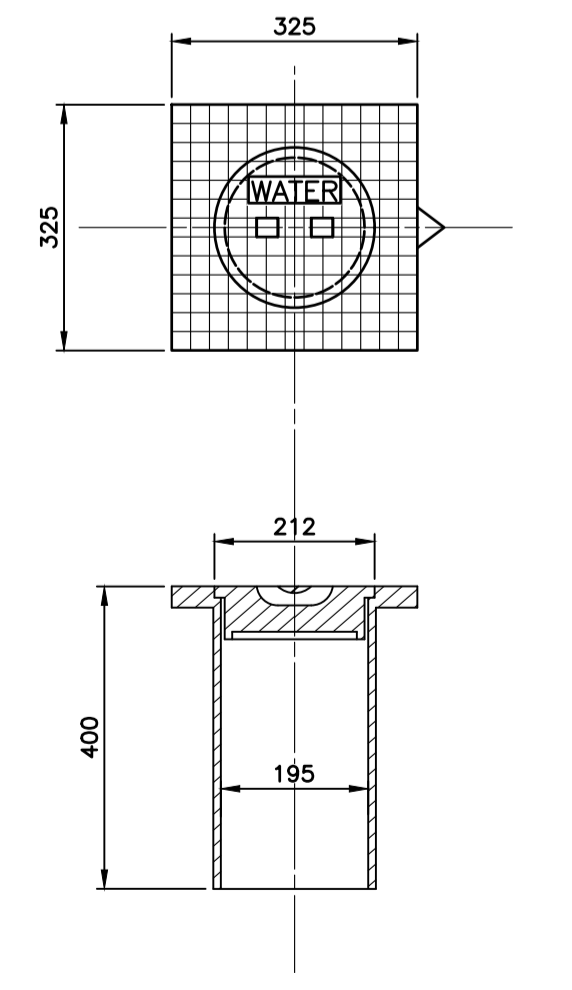
Project No./No. du projet  
R.082511.011

Sheet/Feuille  
C02  
OF 3

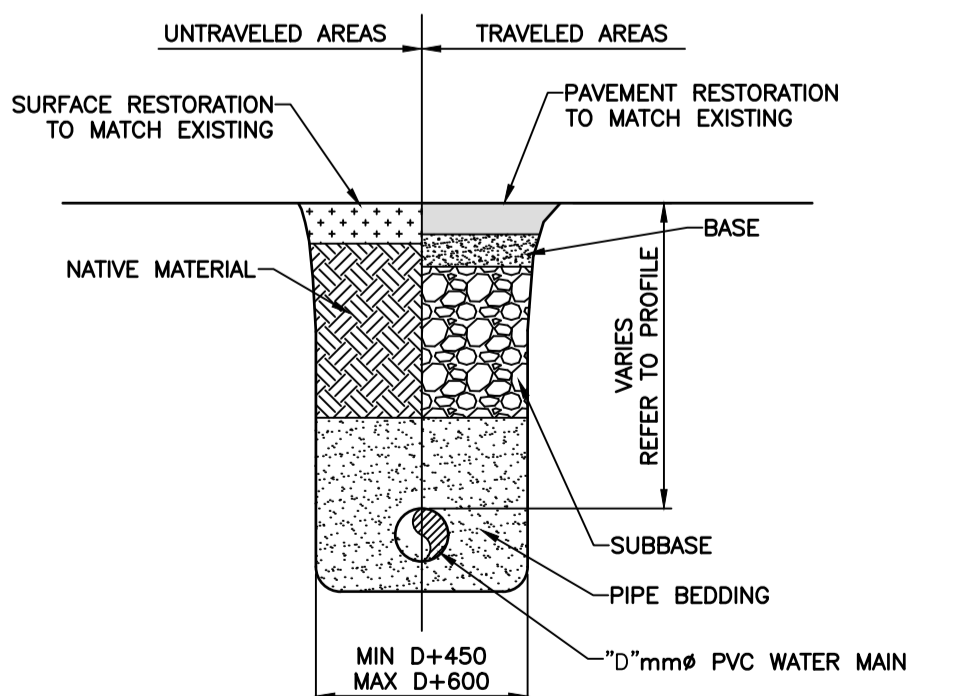
Revision no./  
La Révision  
no.  
3

**FIRE HYDRANT TABLE -- WEST SIDE**

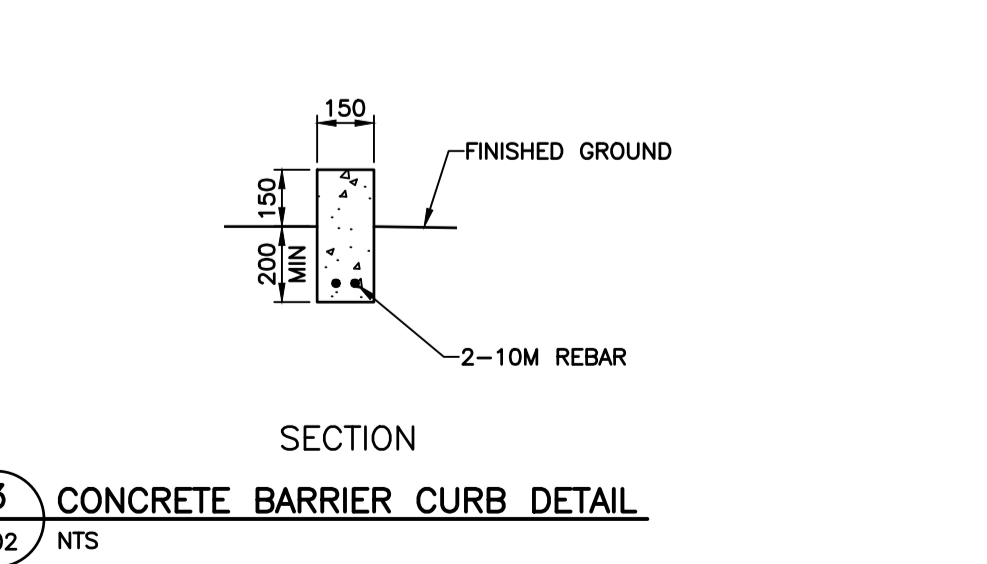
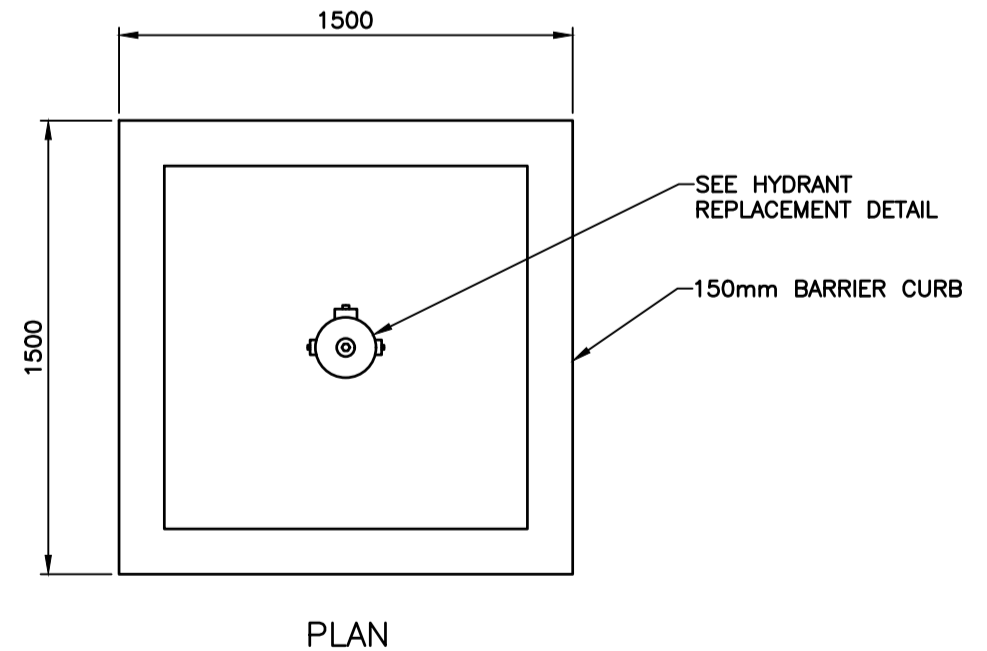
HYDRANT #	NEW GATE VALVE REQUIRED	REPLACE TO	
		1/C03	2/C03
FH1	YES	✓	
FH2	YES	✓	
FH3	NO		✓
FH4	NO		✓
FH5	NO		✓
FH6	NO		✓
FH7	NO		✓
FH8	NO		✓
FH27	NO		✓
FH28	NO		✓
FH29	NO		✓
FH30	NO		✓
FH31	NO		✓
FH32	NO		✓
FH33	NO		✓
FH34	NO		✓
FH35	NO		✓
FH36	NO		✓
FH37	NO		✓



1 WATER VALVE BOX DETAIL  
C02 NTS

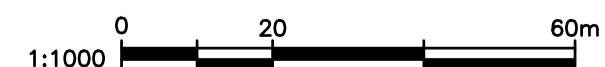


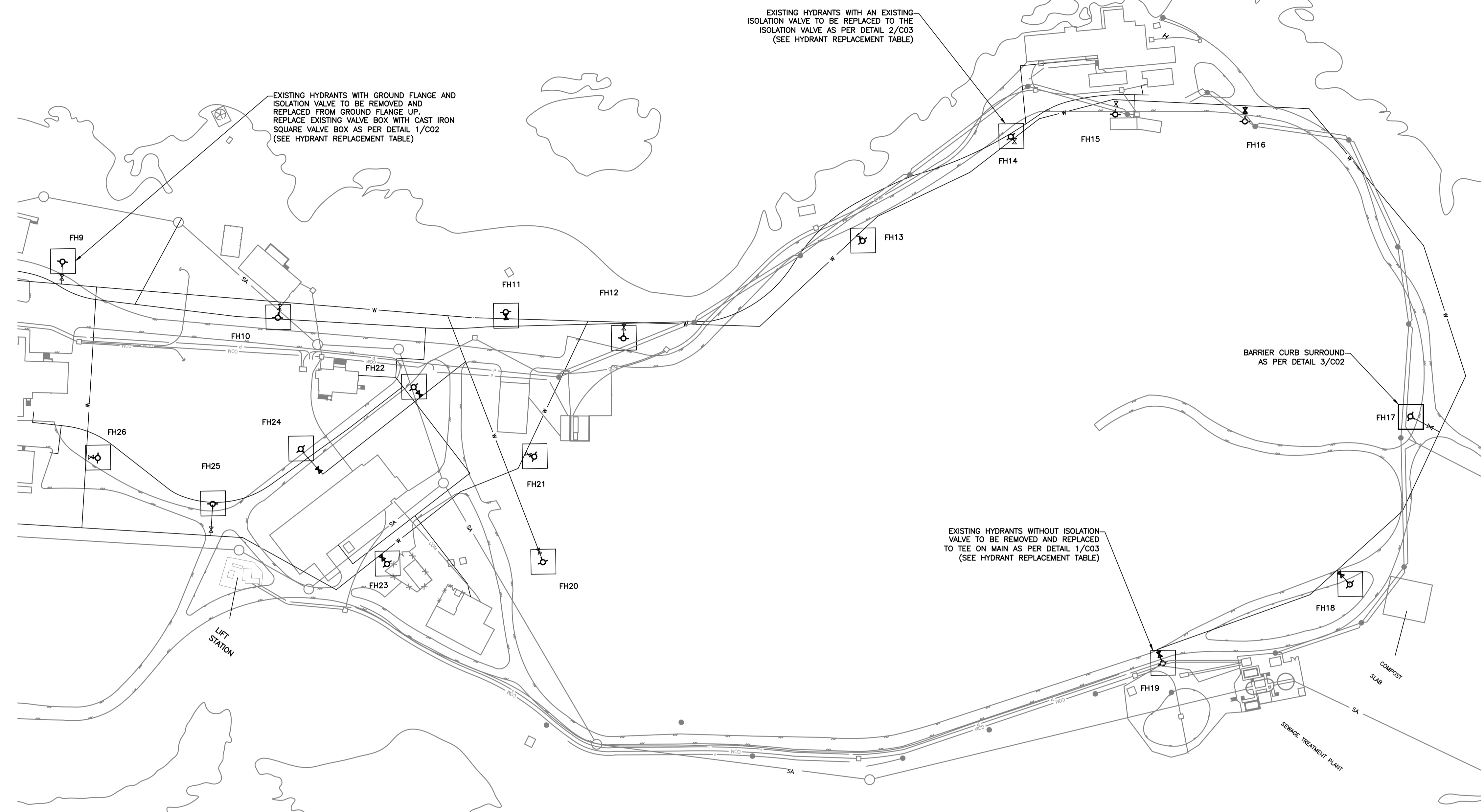
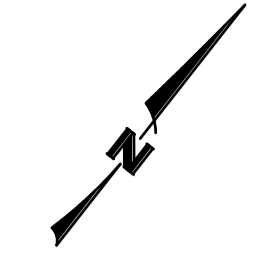
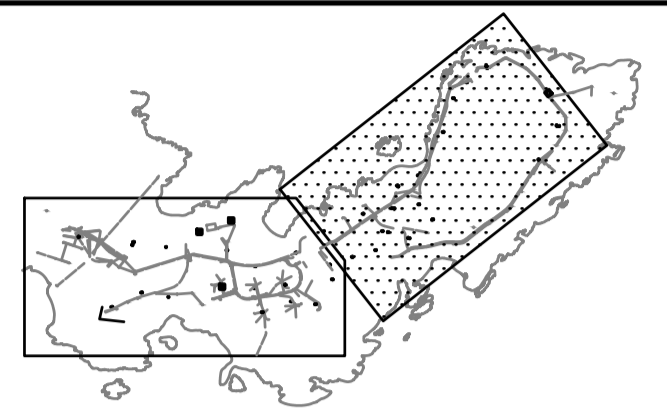
2 TYPICAL TRENCH SECTION  
C02 NTS



3 CONCRETE BARRIER CURB DETAIL  
C02 NTS

**LEGEND**  
 FIRE HYDRANT  
 GATE VALVE  
 FIRE HYDRANT, BARRIER CURB & HOSE CABINET  
 DRAWING UNITS ARE IN METRES AND DETAIL UNITS ARE IN MILLIMETRES UNLESS OTHERWISE SPECIFIED.





EXISTING HYDRANTS WITH GROUND FLANGE AND ISOLATION VALVE TO BE REMOVED AND REPLACED FROM GROUND FLANGE UP, REPLACE EXISTING VALVE BOX WITH CAST IRON SQUARE VALVE BOX AS PER DETAIL 1/C02 (SEE HYDRANT REPLACEMENT TABLE)

EXISTING HYDRANTS WITH AN EXISTING ISOLATION VALVE TO BE REPLACED TO THE ISOLATION VALVE AS PER DETAIL 2/C03 (SEE HYDRANT REPLACEMENT TABLE)

EXISTING HYDRANTS WITHOUT ISOLATION VALVE TO BE REMOVED AND REPLACED TO TEE ON MAIN AS PER DETAIL 1/C03 (SEE HYDRANT REPLACEMENT TABLE)

**LEGEND**

- FIRE HYDRANT
- GATE VALVE
- FIRE HYDRANT, BARRIER CURB & HOSE CABINET

DRAWING UNITS ARE IN METRES AND DETAIL UNITS ARE IN MILLIMETRES UNLESS OTHERWISE SPECIFIED.

Revision/	Description/Description	Date/Date
5		
4		
3	ISSUED FOR ADDENDUM	17-01-16
2	ISSUED FOR TENDER	16-11-28
1	ISSUED FOR TENDER	16-11-04
0	ISSUED FOR 99%	16-10-14

**WILLIAM HEAD INSTITUTION**  
6000 WILLIAM HEAD ROAD  
VICTORIA, BC

Project title/Titre du projet

**FIRE HYDRANT REPLACEMENT**

Consultant Signature Only

Designed by/Concept par  
NF

Drawn by/Dessiné par  
BB / SEPT 2016  
PWGSC Project Manager/Administrateur de Projets TPSGC  
PATRICK TRUONG

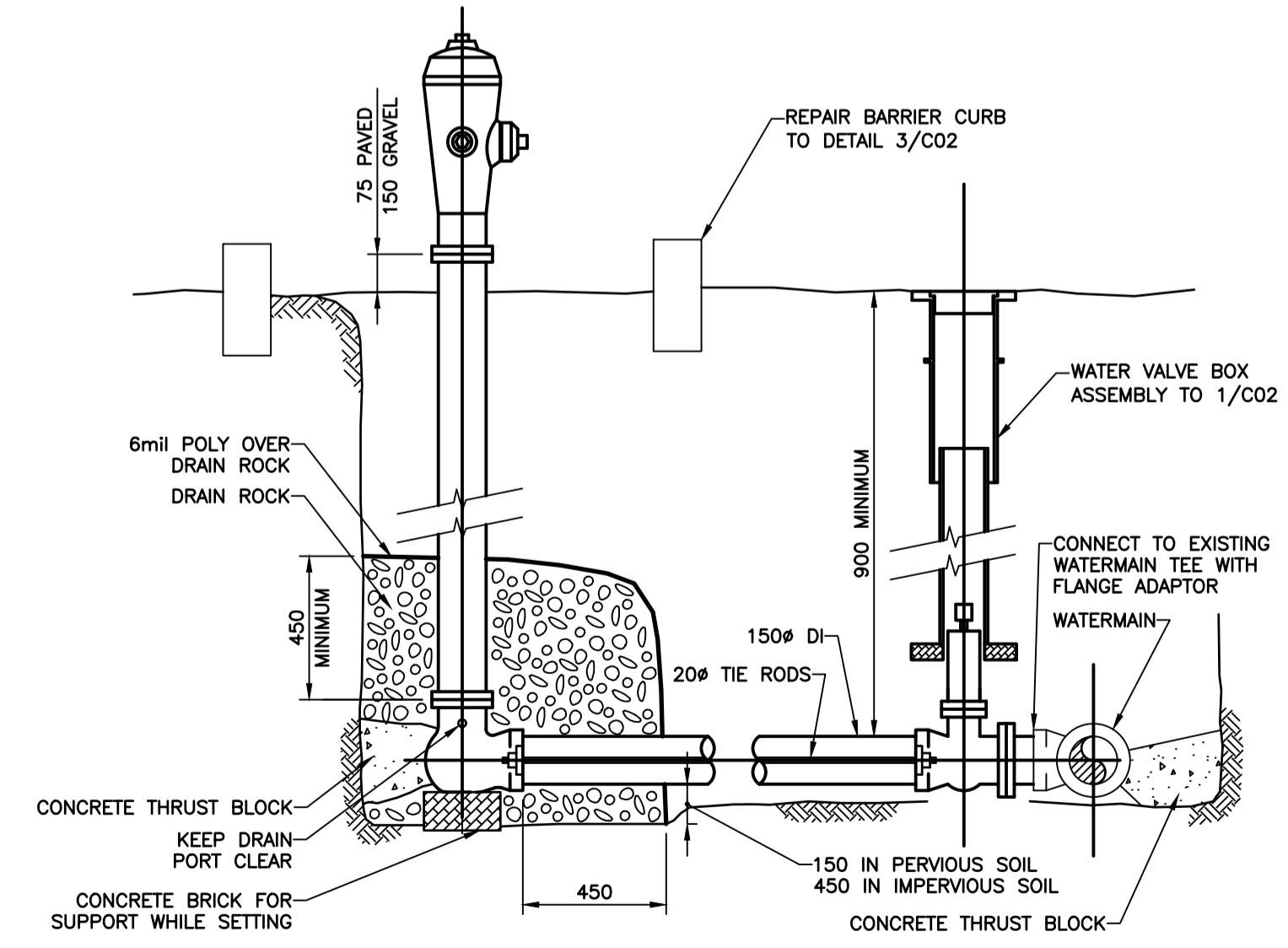
Regional Manager, Architectural and Engineering Services  
Gestionnaire régional, Services d'architectural et de génie, TPSGC

Drawing title/Titre du dessin

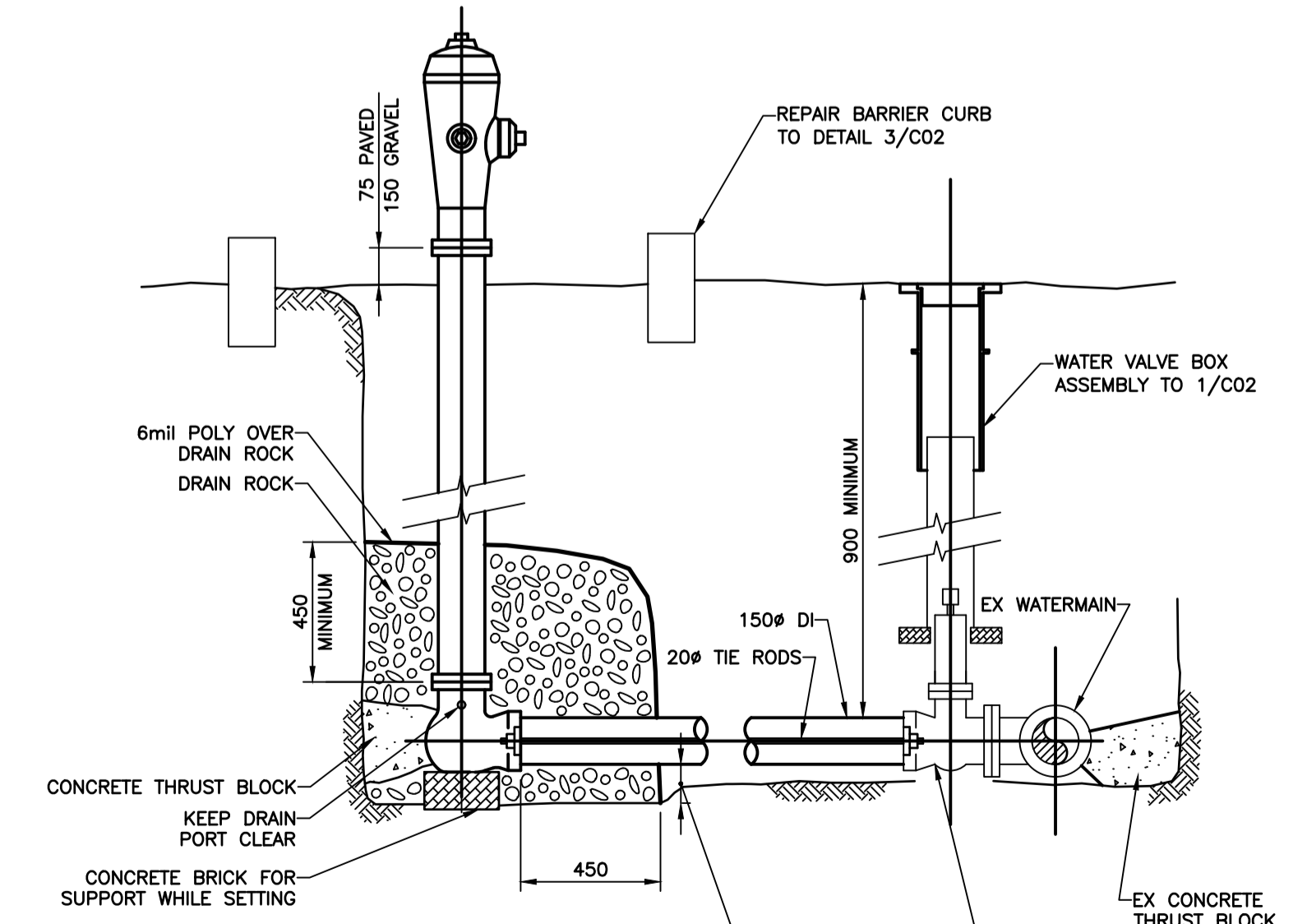
**HYDRANT LOCATION PLAN - EAST DETAILS**

Project No./No. du projet <b>R.082511.011</b>	Sheet/Feuille <b>C03</b> OF 3	Revision no./La Révision no. <b>3</b>
--	-------------------------------------	--

FIRE HYDRANT TABLE - EAST SIDE			
HYDRANT #	NEW GATE VALVE REQUIRED	REPLACE TO	
		1/C03	2/C03
FH9	NO		✓
FH10	NO		✓
FH11	YES	✓	
FH12	NO		✓
FH13	NO		✓
FH14	NO		✓
FH15	NO		✓
FH16	YES	✓	
FH17	NO		✓
FH18	YES	✓	
FH19	YES	✓	
FH20	NO		✓
FH21	NO		✓
FH22	YES	✓	
FH23	YES	✓	
FH24	YES	✓	
FH25	NO		✓
FH26	NO		✓



**1 FIRE HYDRANT REPLACEMENT DETAIL - PROPOSED GATE VALVE**  
C03 NTS



**2 FIRE HYDRANT REPLACEMENT DETAIL - EXISTING GATE VALVE**  
C03 NTS

