

Publics Works and
Government Services
Canada

Travaux publics et
services gouvernementaux
Canada

Real Property Services
For Parks Canada

Services immobiliers pour
Parcs Canada

Canada

Client/client



Canadian Heritage

Patrimoine Canadien



Parks Canada
Agency

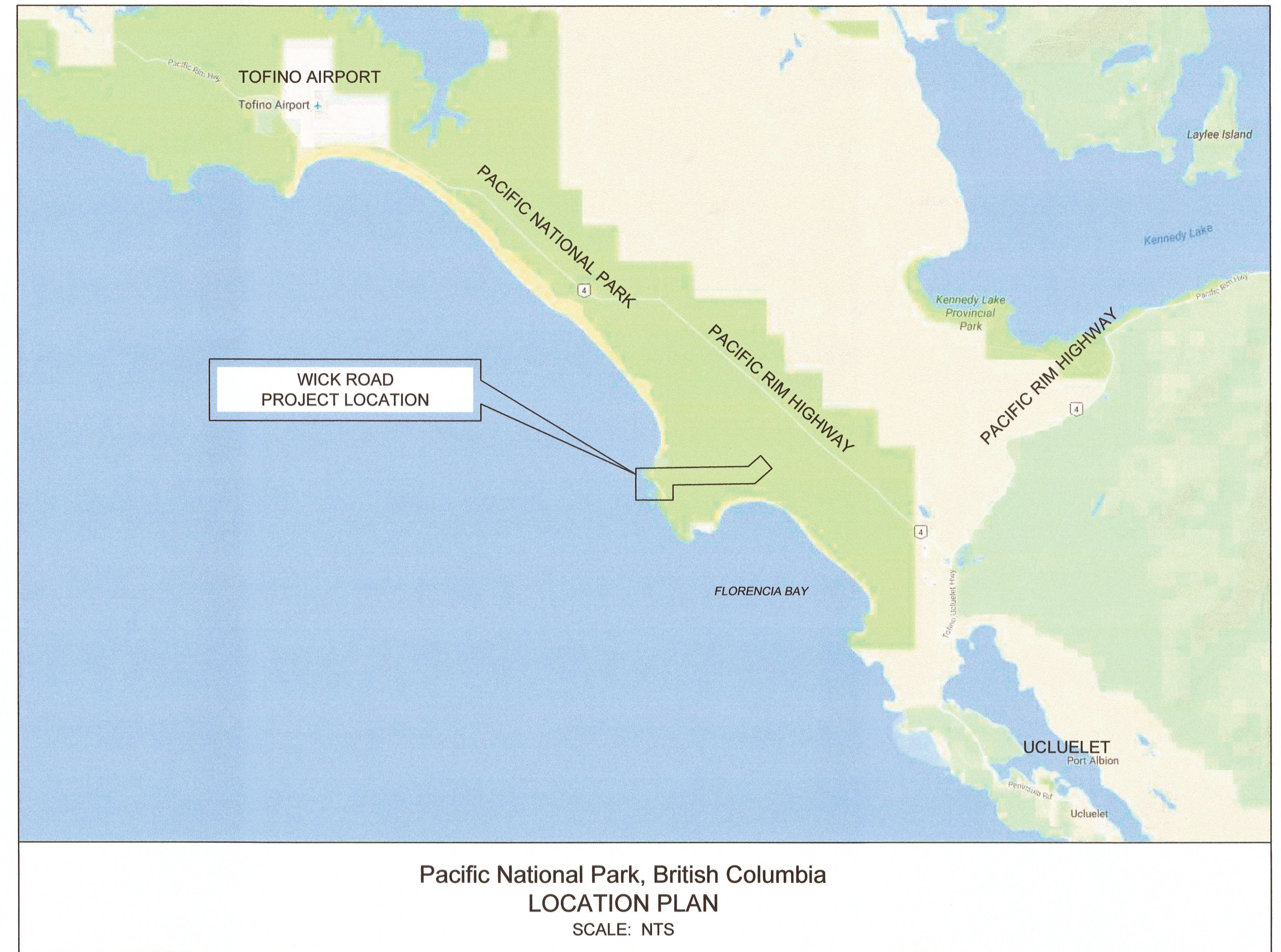
L'Agence
Parcs Canada

Western and
Northern Region

Ouest et Nord
du Canada

DRAWING INDEX

SHEET	DRAWING TITLE
C100	WICK ROAD STA 5+000 TO 5+260 PLAN AND PROFILE
C101	WICK ROAD STA 0+267 TO STA 1+470 ROAD REBUILD
C102	WICK ROAD STA 1+470 TO STA 1+675 WICKANINISH BEACH ACCESS STA 4+580 TO 4+680 ROAD REBUILD
C103	WICK ROAD STA 0+442 TO STA 0+850 ROAD REBUILD
C104	KWISITIS VISITOR CENTRE PARKING LOT RECONSTRUCTION
C105	WICK ROAD ROAD MARKING AND SIGNAGE
C106	WICK ROAD ROAD MARKING AND SIGNAGE
C107	KWISITIS VISITOR CENTRE PARKING LOT ROAD MARKING AND SIGNAGE
C108	DETAILS
C109	WICK ROAD STA 5+000 TO STA 5+260 CROSS SECTIONS
C110	WICK ROAD STA 5+000 TO STA 5+260 CROSS SECTIONS
C111	WICK ROAD STA 5+000 TO STA 5+260 CROSS SECTIONS
C112	WICK ROAD STA 5+000 TO STA 5+260 CROSS SECTIONS
C202	WATERMAIN AND SAN FORCE MAIN - WICK ROAD
C203	WATERMAIN AND SAN FORCE MAIN - WICK ROAD
C204	WATERMAIN AND FIBRE OPTIC - KWISITS VISTOR CENTRE TO WICK RESERVOIR
C205	STANDARD DETAILS
C206	FIBER OPTIC SERVICING SPLICING DIAGRAM & DETAILS

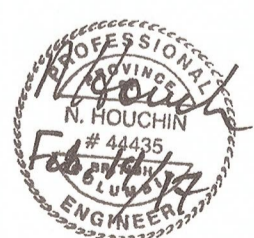


WICK ROAD AND KWISITIS PARKING LOT UPGRADES

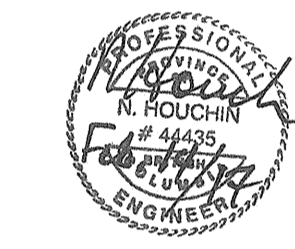
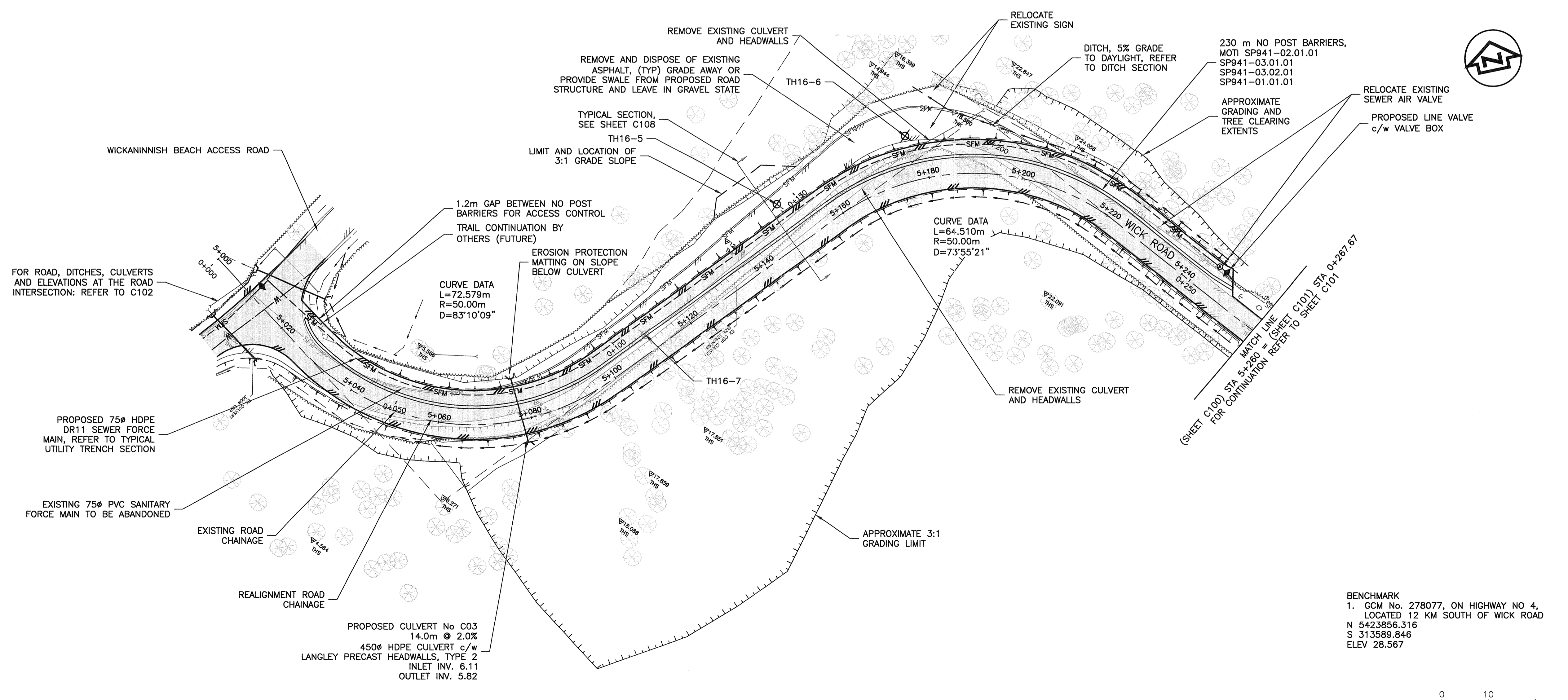
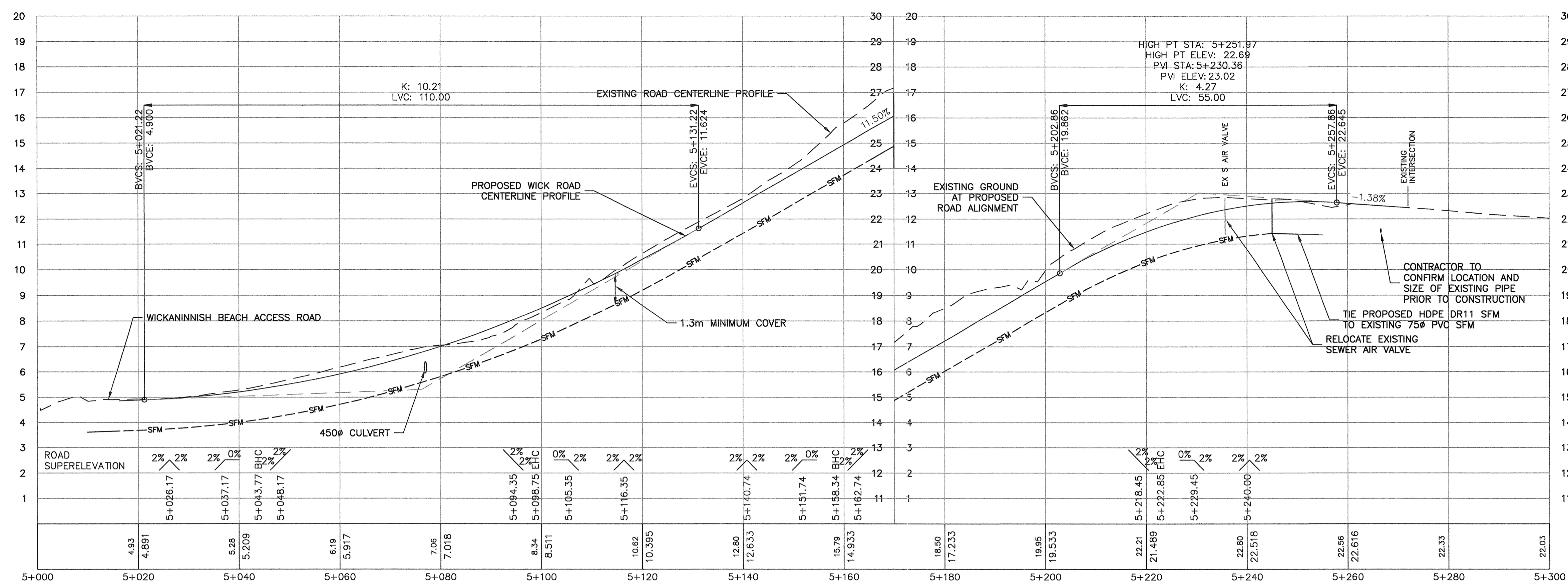
PACIFIC NATIONAL NATIONAL PARK
BRITISH COLUMBIA

PROJECT # R.080936.001

PARSONS REF. # BM3446



PARSONS



5		
4		
3		
2		
1		
0	ISSUED FOR TENDER	17/01/25
Revision/	Description/Description	Date/Date
Client/Client		

Project Title/Titre du projet
**PACIFIC RIM NATIONAL PARK
BRITISH COLUMBIA**

**WICK ROAD AND
KWISITIS PARKING LOT
UPGRADES**

Consultant Signature Only
M. HANEL
Designed by/Concept par
M. HANEL
Drawn by/Dessiné par
P. BERRINGTON
PWGSC Project Manager/Administrateur de Projets TPSGC

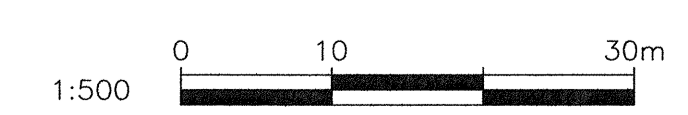
Regional Manager, Architectural and Engineering Services
Gestionnaire régionale, Services d'architecture et de génie, TPSGC

Drawing title/Titre du dessin

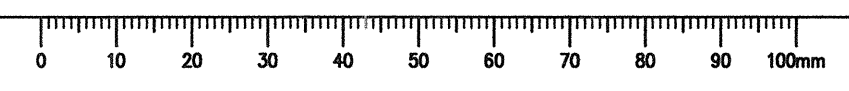
**WICK ROAD
STA 5+000 TO 5+260
PLAN AND PROFILE**

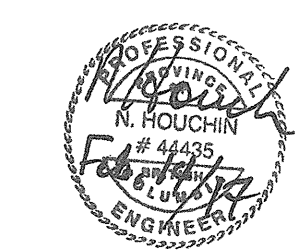
Project No./No. du projet	Sheet/Feuille	Revision no./ La Révision no.
R.080936.001	C100	0

BENCHMARK
1. GCM No. 278077, ON HIGHWAY NO 4,
LOCATED 12 KM SOUTH OF WICK ROAD
N 5423856.316
S 313589.846
ELEV 28.567



PARSONS VICTORIA I:\BM3446 - PWGSC - WICK ROAD\DWGS\DESIGN\BM3446-WICK ROAD REALIGNMENT.DWG 14 Feb 2017-10:15AM





5		
4		
3		
2		
1		
0	ISSUED FOR TENDER	17/01/25

Revision/Revision	Description/Description	Date/Date
Client/client		

Project title/Titre du projet
**PACIFIC RIM NATIONAL PARK
BRITISH COLUMBIA**

**WICK ROAD AND
KWISITIS PARKING LOT
UPGRADES**

Consultant Signature Only
M. HANEL

Designed by/Concept par
M. HANEL

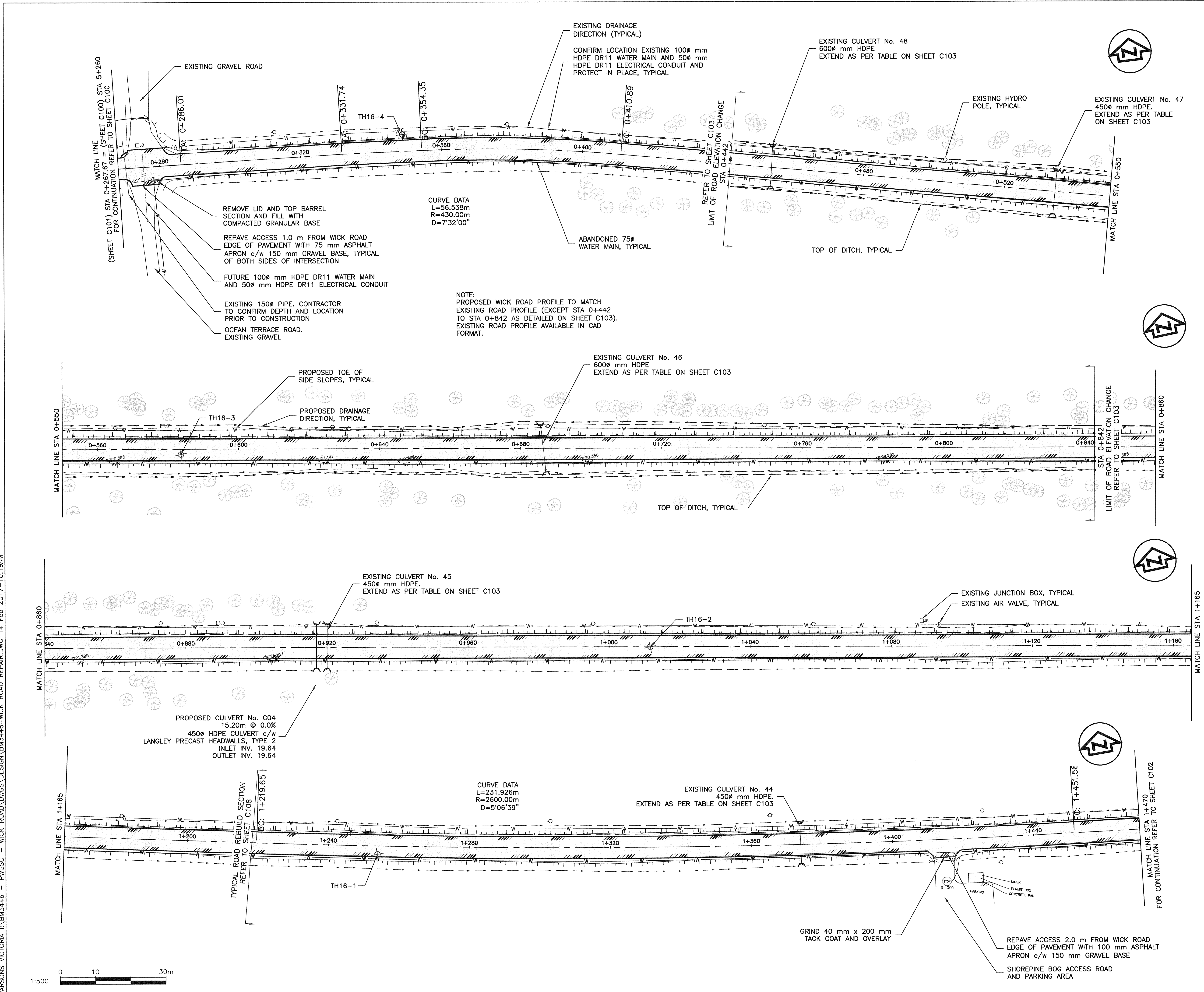
Drawn by/Dessiné par
P. BERRINGTON

PWGSC Project Manager/Administrateur de Projets TPSGC

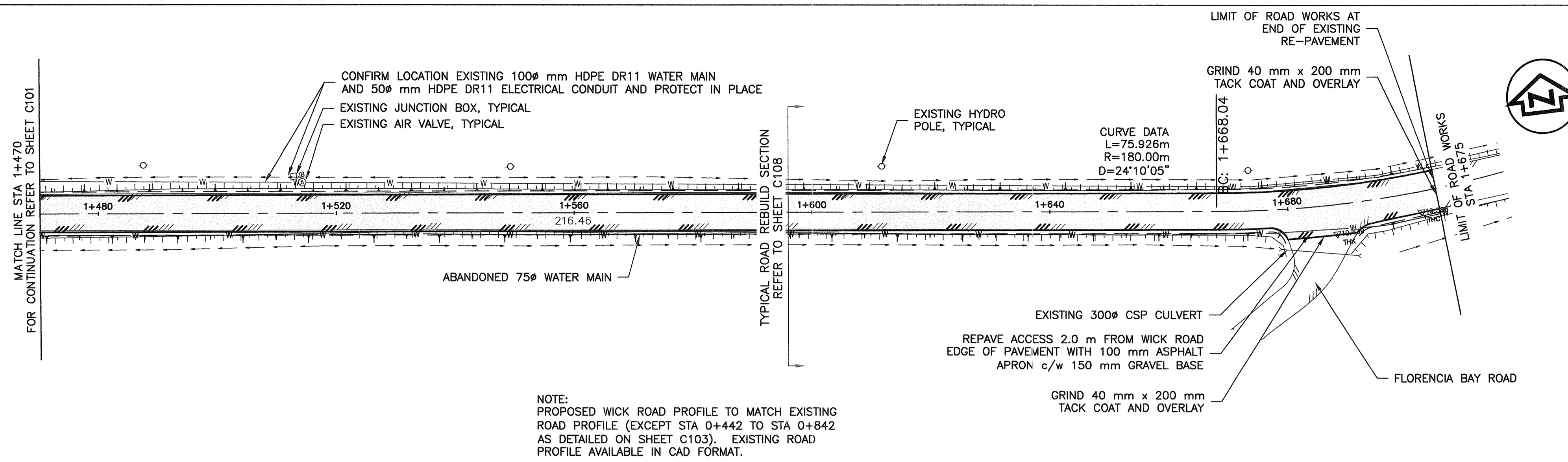
Regional Manager, Architectural and Engineering Services
Géomètre régionale, services d'architectural et de génie, TPSGC

Drawing title/Titre du dessin
**WICK ROAD
STA 0+267 TO STA 1+470
ROAD REBUILD**

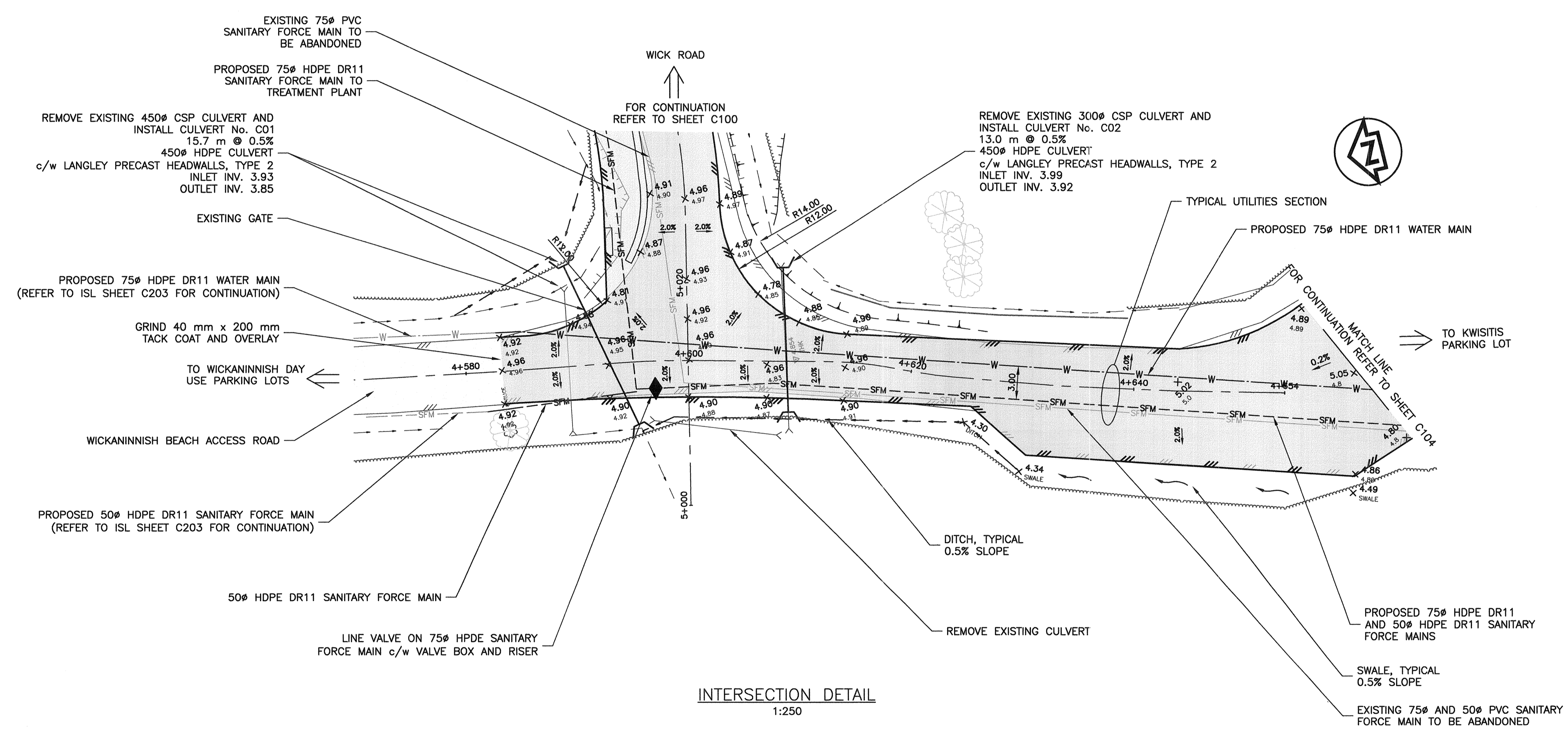
Project No./No. du projet R.080936.001	Sheet/Feuille C101	Revision no./La Révision no. 0
--	------------------------------	--



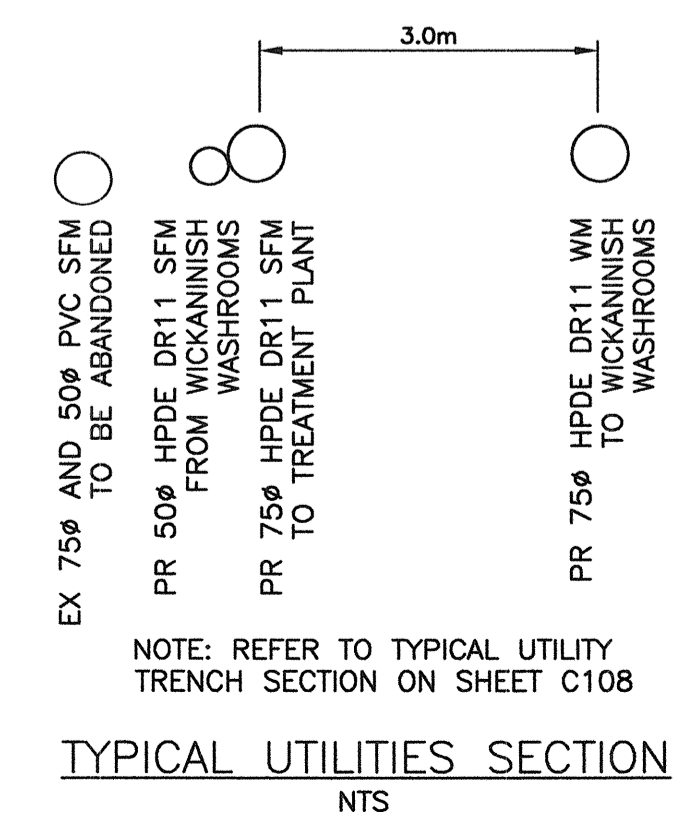
PARSONS VICTORIA I:\BM3446 - PWGSC - WICK ROAD\DWGS\DESIGN\BM3446-WICK ROAD REPAIR.DWG 14 Feb 2017-10:19AM



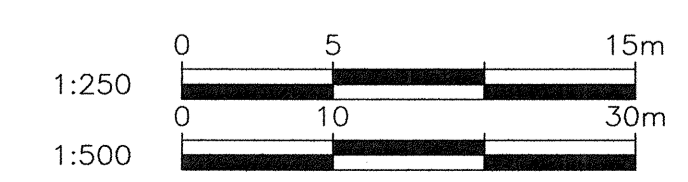
NOTE:
PROPOSED WICK ROAD PROFILE TO MATCH EXISTING ROAD PROFILE (EXCEPT STA 0+442 TO STA 0+842 AS DETAILED ON SHEET C103). EXISTING ROAD PROFILE AVAILABLE IN CAD FORMAT.



INTERSECTION DETAIL
1:250



NOTE: REFER TO TYPICAL UTILITY TRENCH SECTION ON SHEET C108



5		
4		
3		
2		
1		
0	ISSUED FOR TENDER	17/01/25
Revision/	Description/Description	Date/Date
Client/client		

Project title/Titre du projet
**PACIFIC RIM NATIONAL PARK
BRITISH COLUMBIA**

**WICK ROAD AND
KWISITIS PARKING LOT
UPGRADES**

Consultant Signature Only
M. HANEL

Designed by/Concept par
M. HANEL

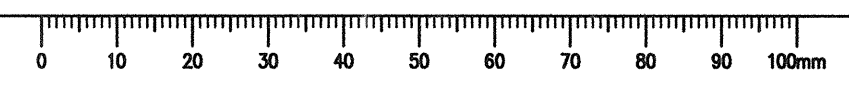
Drawn by/Dessiné par
P. BERRINGTON

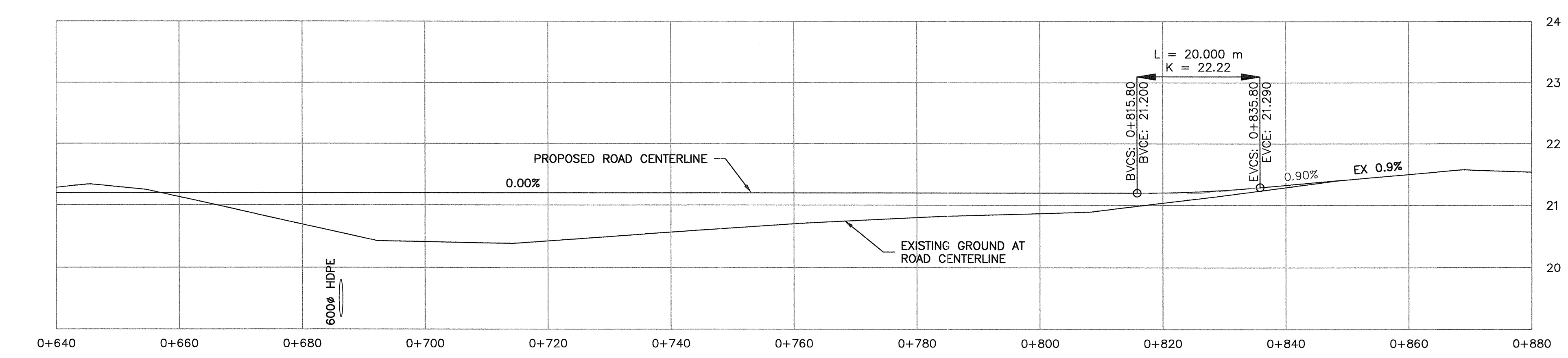
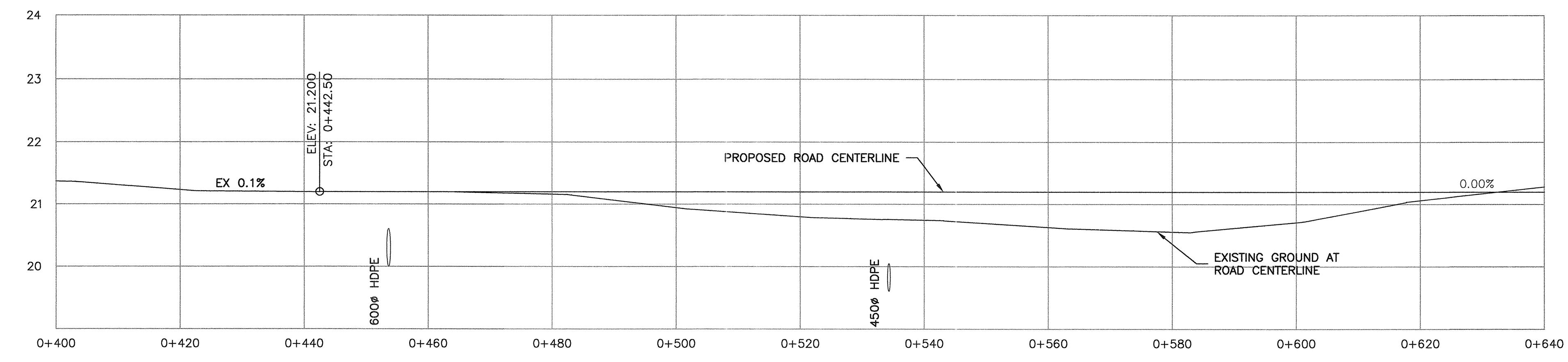
PWGSC Project Manager/Administrateur de Projets TPSGC

Regional Manager, Architectural and Engineering Services,
Gestionnaire régionale, Services d'architectural et de génie, TPSGC

Drawing title/Titre du dessin
**WICK ROAD
STA 1+470 TO STA 1+675
WICANNINISH BEACH ACCESS
STA 4+580 TO 4+660
ROAD REBUILD**

Project No./No. du projet	Sheet/Feuille	Revision no./La Révision no.
R.080936.001	C102	0





WICK ROAD ELEVATED SECTION
H 1:500 V 1:50

CULVERT MODIFICATION TABLE											
CULVERT No	EX CULVERT SIZE	EX NORTH INVERT	EX SOUTH INVERT	EX LENGTH	EX SLOPE	EXTEND NORTH	EXTEND SOUTH	PR NORTH INVERT	PR SOUTH INVERT	LENGTH	HEADWALL TYPE
44	450	20.06	20.11	11.4	0.40	0.00	0.00	20.060	20.106	11.37	TYPE 2
45	450	19.64	19.64	12.1	-0.01	0.00	0.00	19.641	19.640	12.14	TYPE 2
46	600	19.12	19.41	11.4	2.51	0.84	1.00	19.143	19.432	13.20	11-13
47	450	19.94	20.18	12.3	1.90	0.00	0.00	19.944	20.177	12.26	TYPE 2
48	600	19.21	19.05	11.0	-1.46	0.00	0.00	19.206	19.045	11.03	11-13

- NOTE:
1. LANGLEY PRECAST CONCRETE HEADWALL OR APPROVED EQUAL.
 2. GROUT PIPE INTO HEADWALL.
 3. HEADWALL HEIGHT 300 mm ABOVE TOP OF PIPE UNLESS NOTED OTHERWISE.

WICK ROAD CULVERT INFORMATION TABLE

5		
4		
3		
2		
1		
0	ISSUED FOR TENDER	17/01/25
Revision/	Description/Description	Date/Date
Client/client		

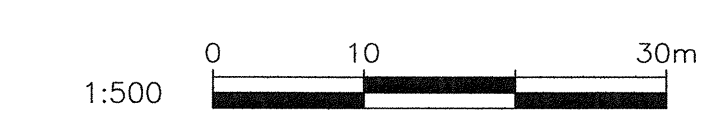
Project title/Titre du projet
**PACIFIC RIM NATIONAL PARK
BRITISH COLUMBIA**

**WICK ROAD AND
KWISITIS PARKING LOT
UPGRADES**

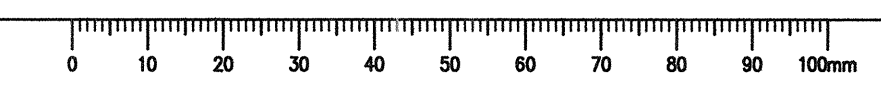
Consultant Signature Only
M. HANEL
Designed by/Concept par
M. HANEL
Drawn by/Dessiné par
P. BERRINGTON
PWGSC Project Manager/Administrateur de Projets TPSGC
Regional Manager, Architectural and Engineering Services
Gestionnaire régionale, Services d'architecture et de génie, TPSGC

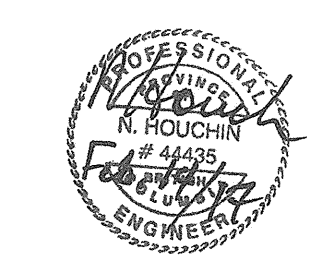
Drawing title/Titre du dessin
**WICK ROAD
STA 0+442 TO STA 0+850
ROAD REBUILD**

Project No./No. du projet R.080936.001	Sheet/Feuille C103	Revision no./La Révision no. 0
--	------------------------------	--



PARSONS VICTORIA I:\BM34446 - PWGSC - WICK ROAD\DWGS\DESIGN\BM34446-WICK ROAD REPAIR.DWG 14 Feb 2017-10:21AM





5		
4		
3		
2		
1		
0	ISSUED FOR TENDER	17/01/25
Revision/	Description/Description	Date/Date
Client/client		

Project title/Titre du projet
**PACIFIC RIM NATIONAL PARK
BRITISH COLUMBIA**

**WICK ROAD AND
KWISITIS PARKING LOT
UPGRADES**

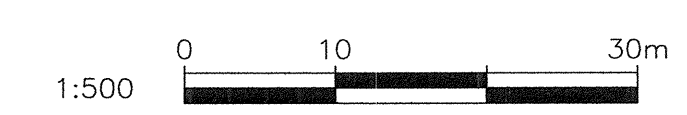
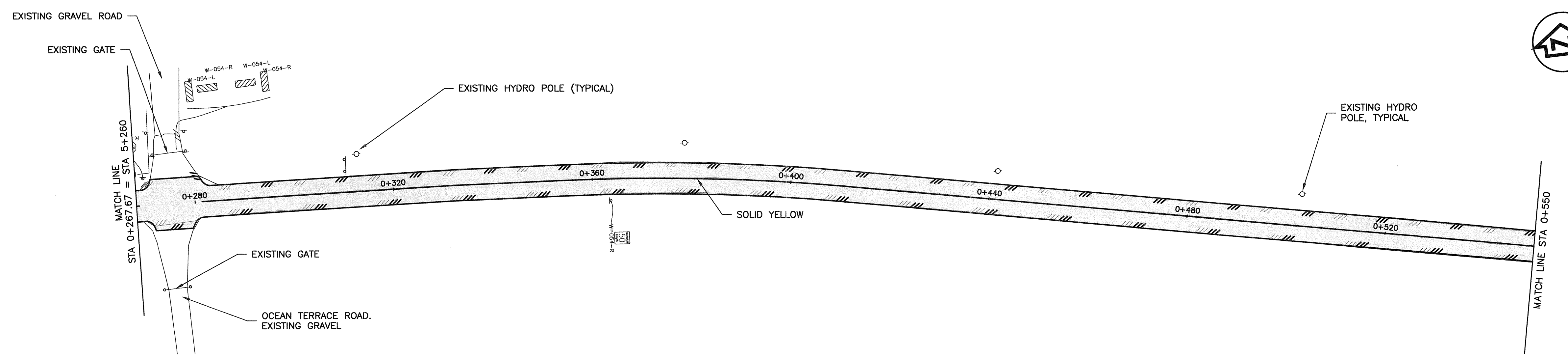
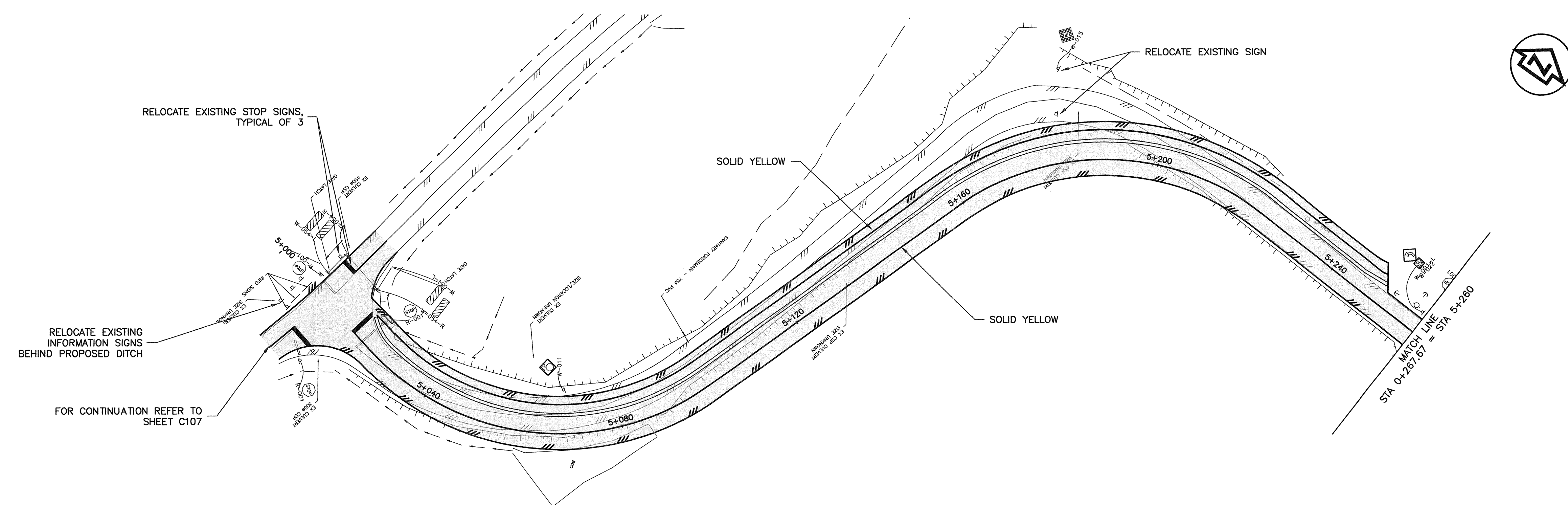
Consultant Signature Only
M. HANEL
Designed by/Concept par
M. HANEL
Drawn by/Dessiné par
P. BERRINGTON
PWGSC Project Manager/Administrateur de Projets TPSGC

Regional Manager, Architectural and Engineering Services
Gestionnaire régionale, services d'architectural et de génie, TPSGC

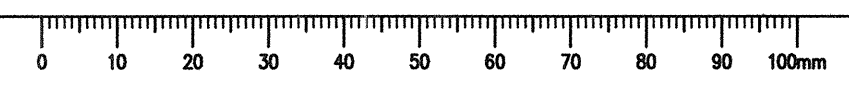
Drawing title/Titre du dessin

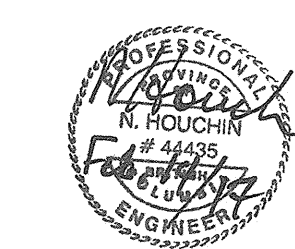
**WICK ROAD
ROAD MARKING
AND SIGNAGE**

Project No./No. du projet R.080936.001	Sheet/Feuille C105	Revision no./La Révision no. 0
--	------------------------------	--



PARSONS VICTORIA I:\BM3446 - PWGSC - WICK ROAD\DWGS\DESIGN\BM3446-WICK ROAD ROAD MARKING.DWG 14 Feb. 2017 - 10:26AM





5		
4		
3		
2		
1		
0	ISSUED FOR TENDER	17/01/25
Revision/Description	Description/Description	Date/Date

Project title/Titre du projet
**PACIFIC RIM NATIONAL PARK
BRITISH COLUMBIA**

**WICK ROAD AND
KWISITIS PARKING LOT
UPGRADES**

Consultant Signature Only
M. HANEL

Designed by/Concept par
M. HANEL

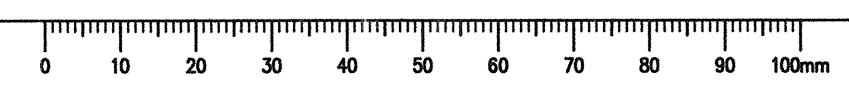
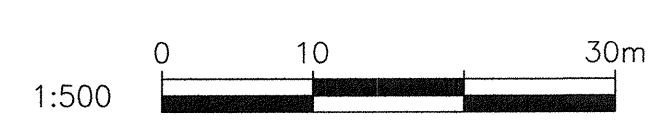
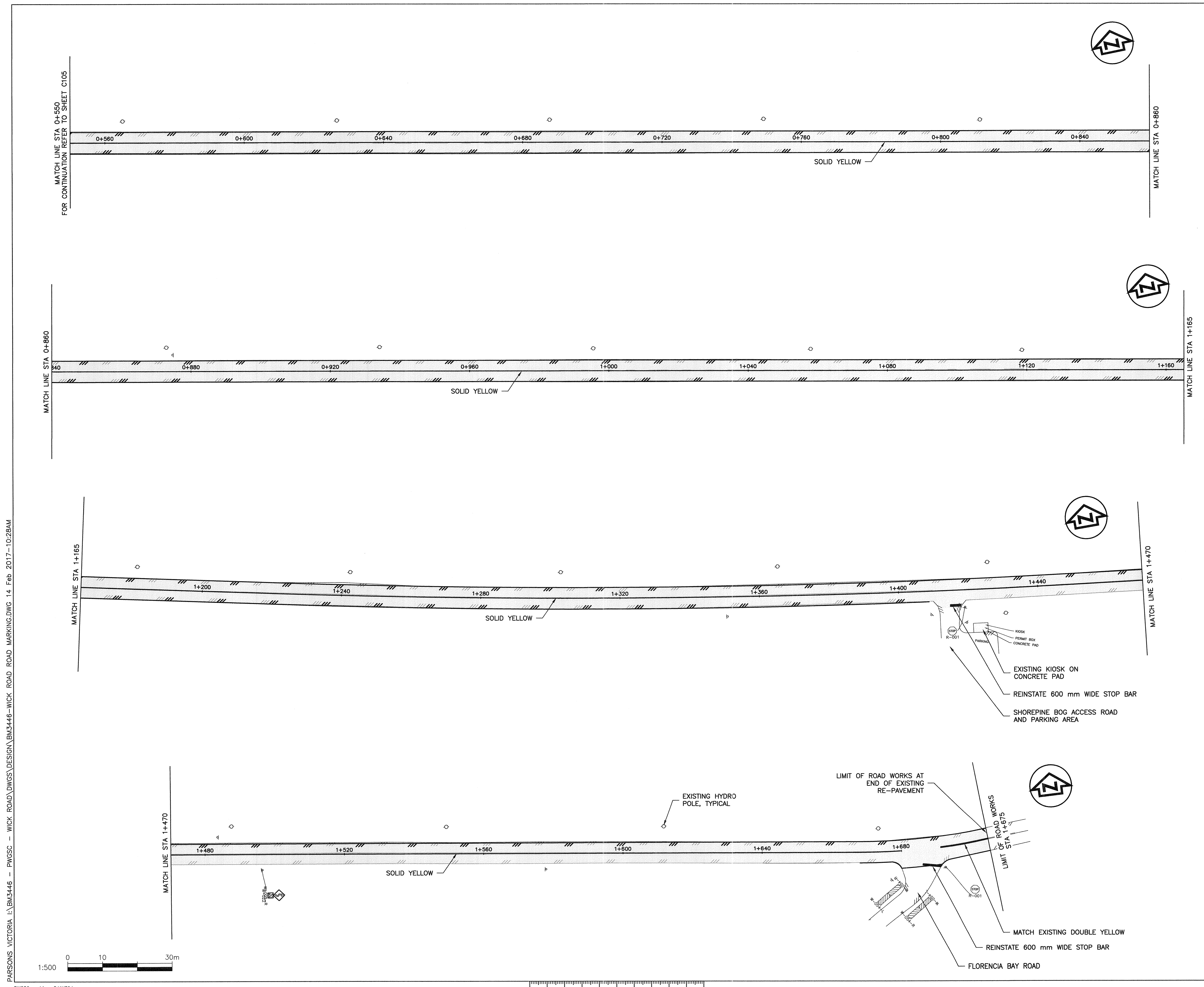
Drawn by/Dessiné par
P. BERRINGTON

PWGC Project Manager/Administrateur de Projets TPSGC

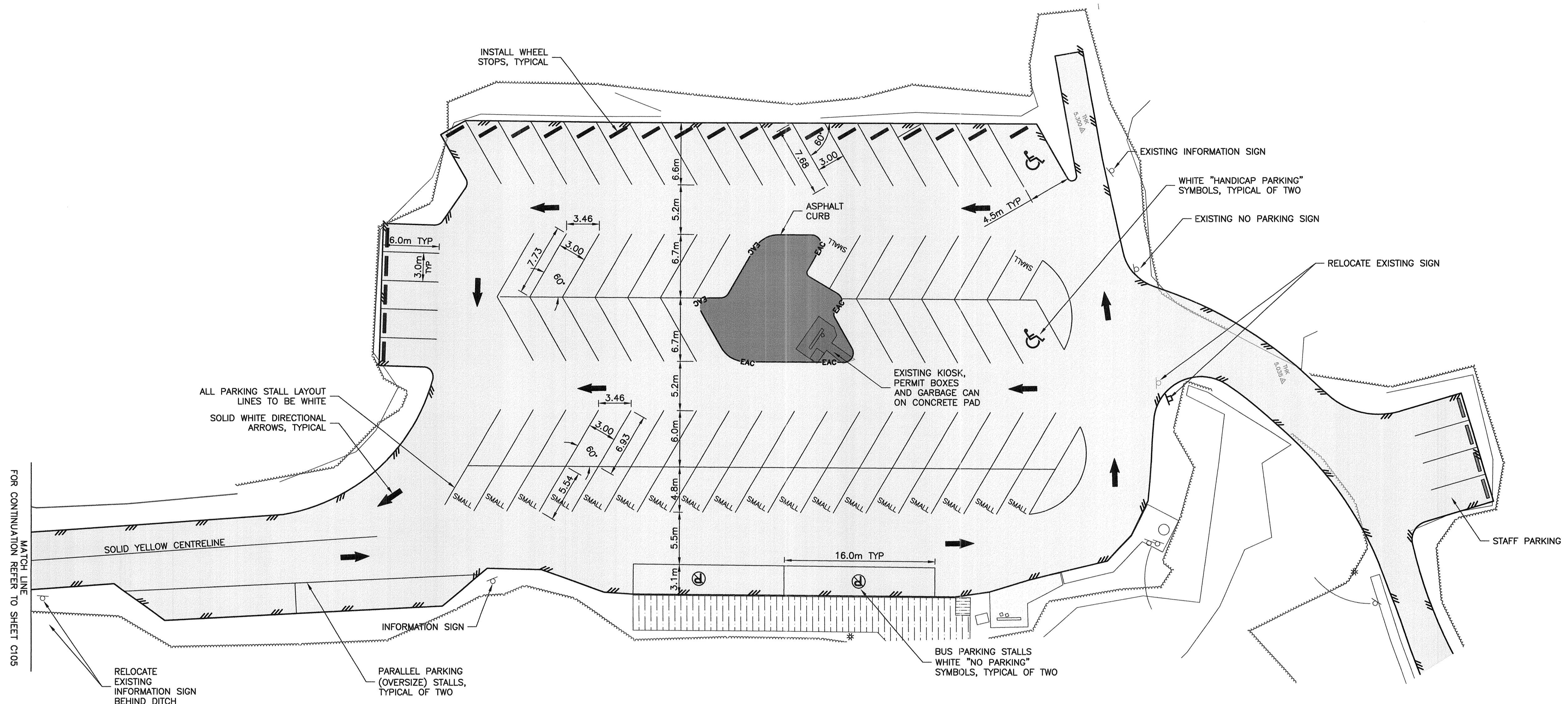
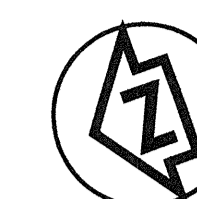
Regional Manager, Architectural and Engineering Services
Gestionnaire régionale, Services d'architectural et de génie, TPSGC

Drawing title/Titre du dessin
**WICK ROAD
ROAD MARKING
AND SIGNAGE**

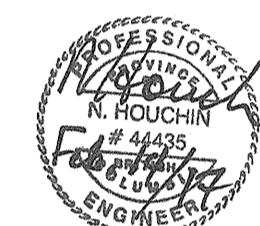
Project No./No. du projet	Sheet/Feuille	Revision no./La Révision no.
R.080936.001	C106	0



PARSONS VICTORIA I:\BM3446 - PWGSC - WICK ROAD\DWGS\DESIGN\BM3446-WICK ROAD MARKING.DWG 14 Feb 2017-10:28AM



MATCH LINE FOR CONTINUATION REFER TO SHEET C105



5		
4		
3		
2		
1		
0	ISSUED FOR TENDER	17/01/25
Revision/	Description/Description	Date/Date
Client/client		

Project title/Titre du projet
**PACIFIC RIM NATIONAL PARK
BRITISH COLUMBIA**

**WICK ROAD AND
KWISITIS PARKING LOT
UPGRADES**

Consultant Signature Only
M. HANEL
Designed by/Concept par
M. HANEL
Drawn by/Dessiné par
P. BERRINGTON
PWGSC Project Manager/Administrateur de Projets TPSGC

Regional Manager, Architectural and Engineering Services
Gestionnaire régionale, Services d'architecture et de génie, TPSGC

Drawing title/Titre du dessin

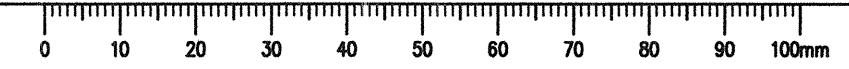
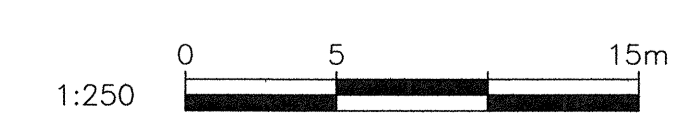
**KWISITIS VISITOR CENTRE
PARKING LOT ROAD MARKING
AND SIGNAGE**

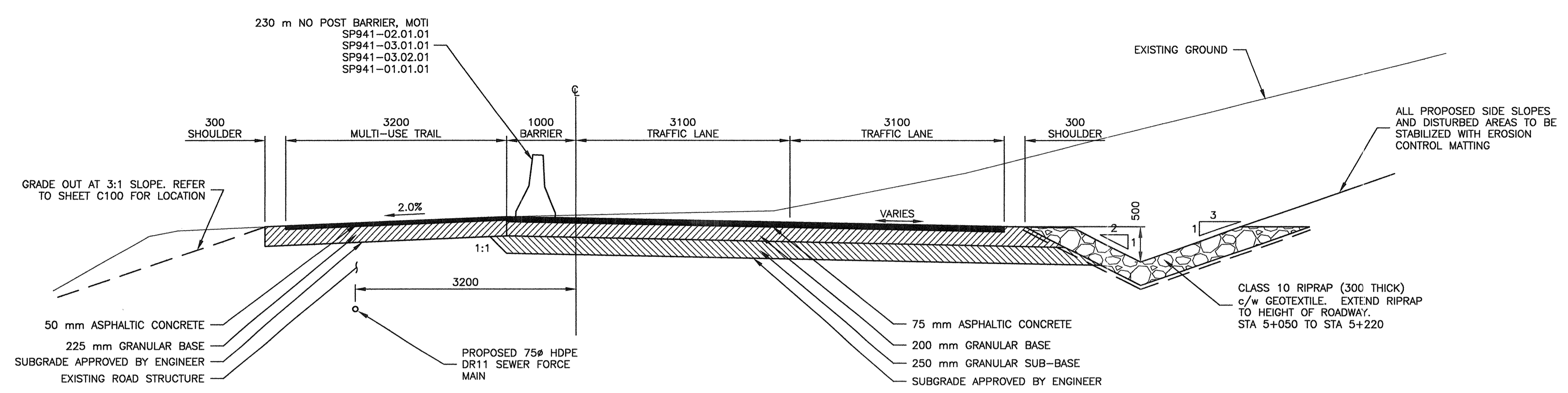
Project No./No. du projet R.080936.001	Sheet/ Feuille C107	Revision no./ La Révision no. 0
--	-------------------------------	--

- EXISTING PARKING STALLS**
- REGULAR 80
 - HANDICAP 0
 - SMALL 0
 - BUS 2
 - OVERSIZE 2
 - STAFF 4

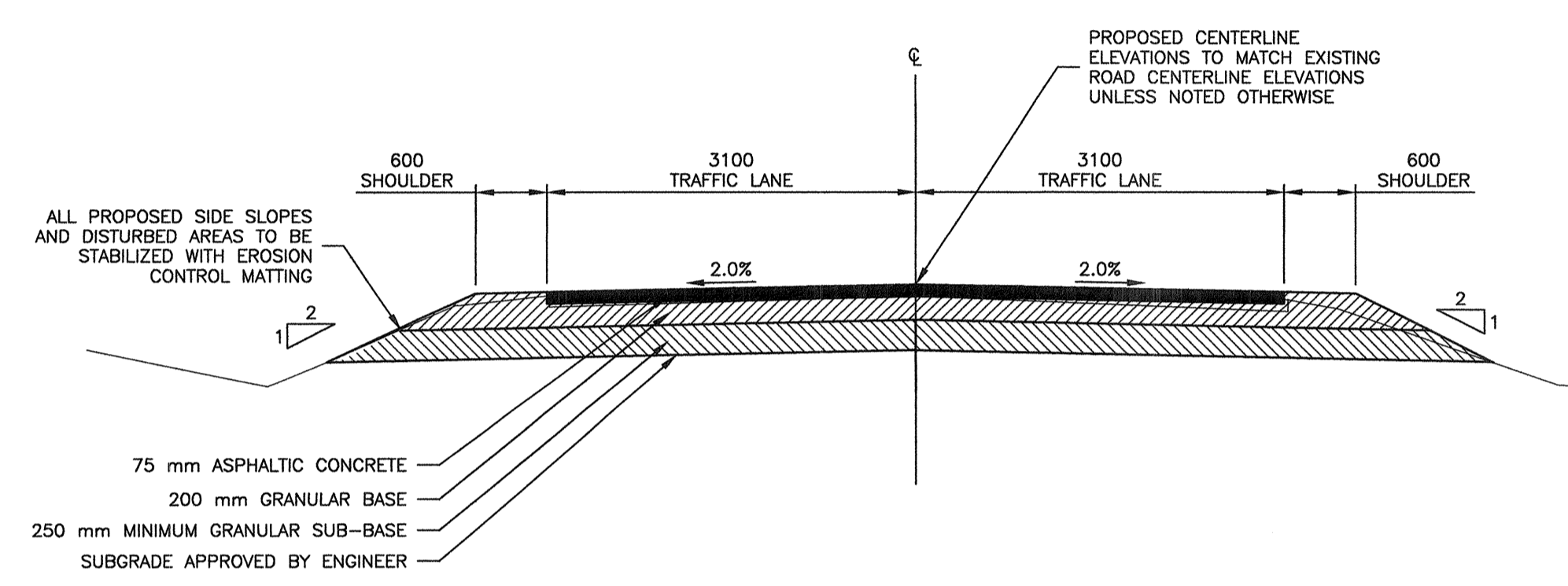
- PROPOSED PARKING STALLS**
- REGULAR 63
 - HANDICAP 2
 - SMALL 20
 - BUS 2
 - OVERSIZE 2
 - STAFF 4

- LEGEND**
- PROPOSED ASPHALT
 - LANDSCAPE
 - PROPOSED TRAFFIC DIRECTION ARROW

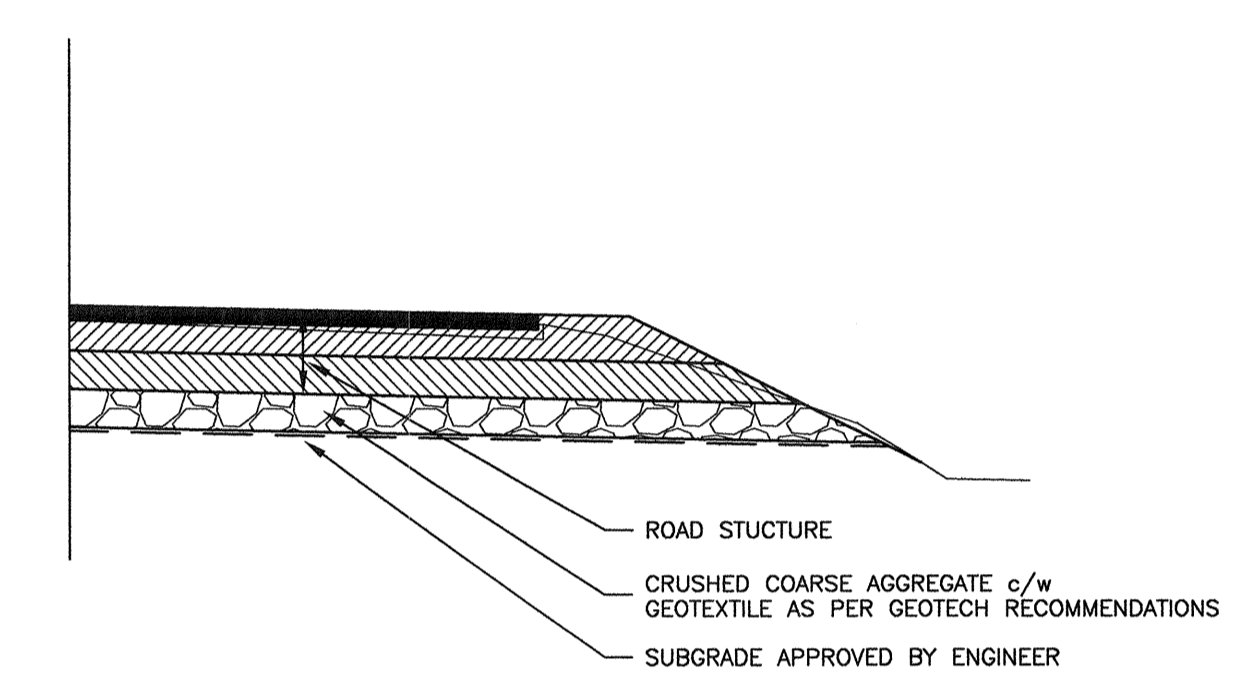




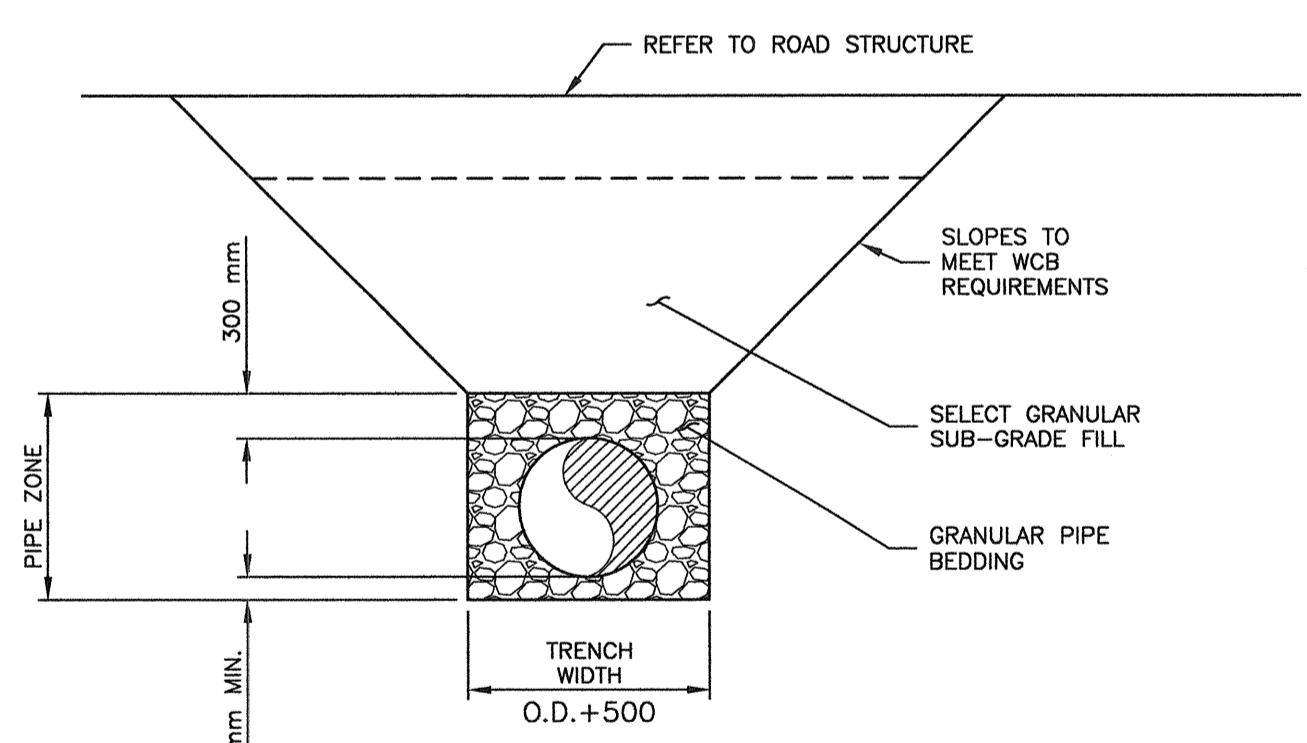
TYPICAL WICK ROAD/TRAIL SECTION
 STA 5+000 to STA 5+260
 NTS



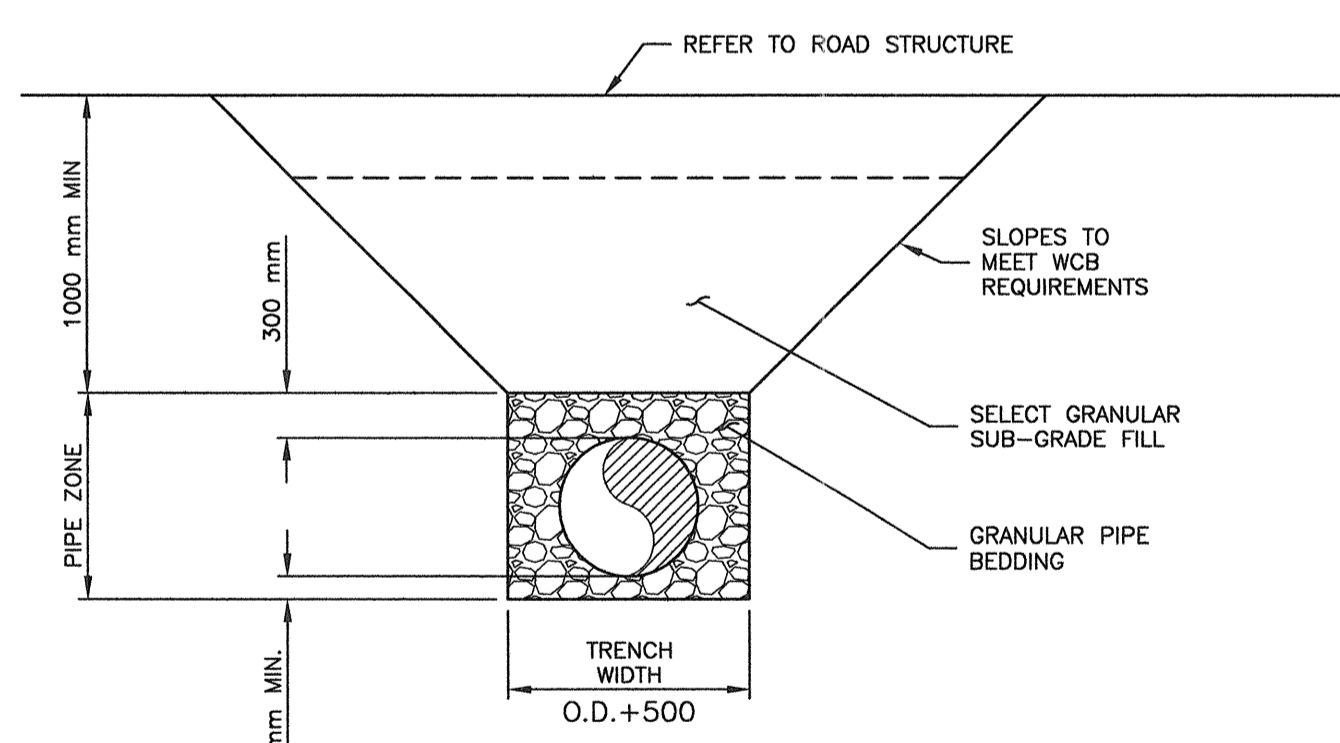
TYPICAL WICK ROAD SECTION
 STA 0+267 to STA 1+675
 NTS



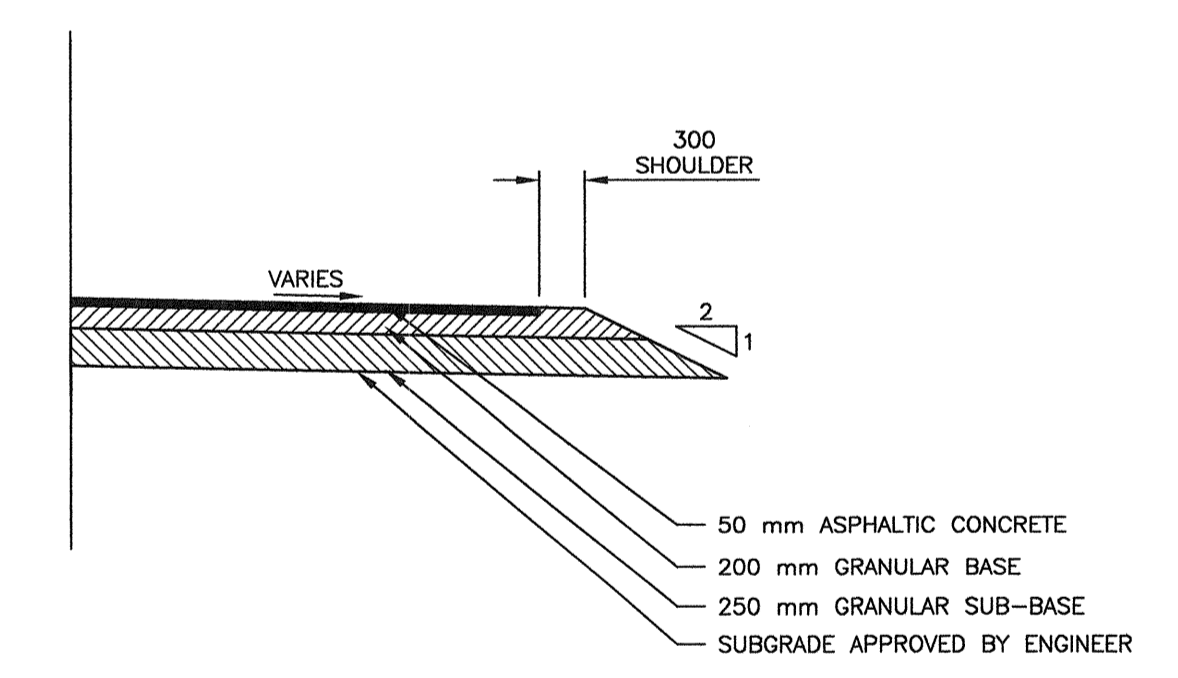
TYPICAL SECTION AT
 OVEREXCAVATION LOCATIONS
 NTS



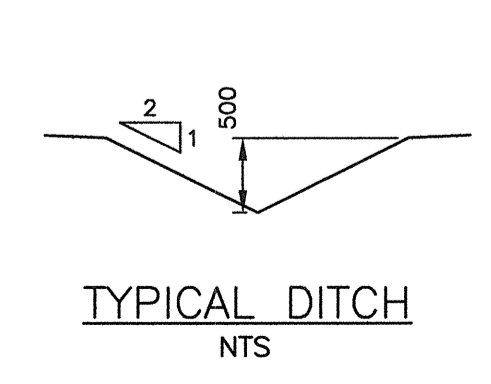
TYPICAL CULVERT TRENCH SECTION
 NTS



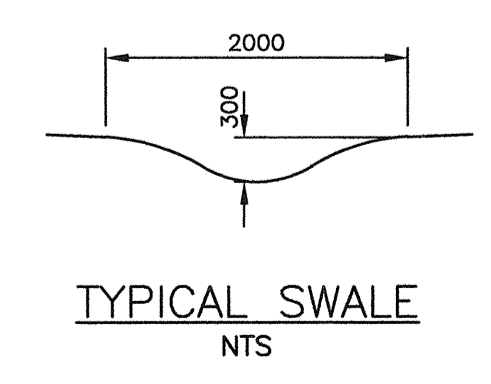
TYPICAL UTILITY TRENCH SECTION
 NTS



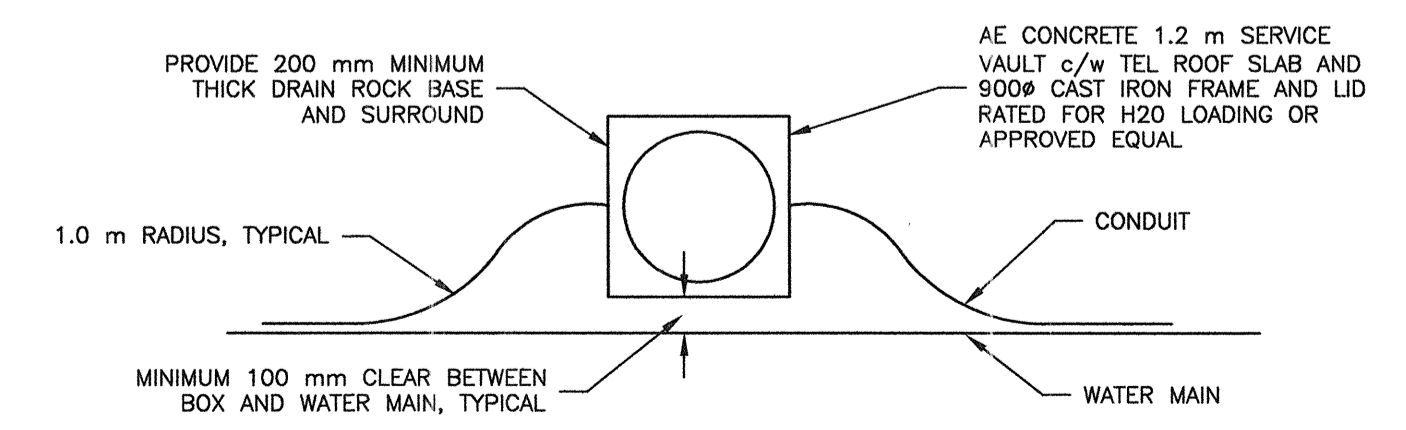
TYPICAL KWISITIS PARKING LOT
 REBUILD SECTION
 NTS



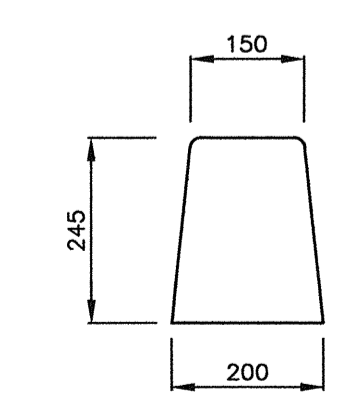
TYPICAL DITCH
 NTS



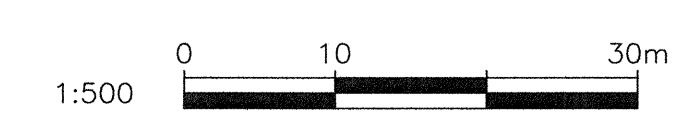
TYPICAL SWALE
 NTS



PULL BOX DETAIL
 NTS



EXTRUDED ASPHALT CURB (EAC)
 CURB DETAILS
 NTS



5		
4		
3		
2		
1		
0	ISSUED FOR TENDER	17/01/25
Revision/	Description/Description	Date/Date

Project Title/Titre du projet
**PACIFIC RIM NATIONAL PARK
 BRITISH COLUMBIA**

**WICK ROAD AND
 KWISITIS PARKING LOT
 UPGRADES**

Consultant Signature Only
M. HANEL
 Designed by/Concept par
M. HANEL
 Drawn by/Dessiné par
P. BERRINGTON
 PWGSC Project Manager/Administrateur de Projets TPSGC

Regional Manager, Architectural and Engineering Services
 Gestionnaire régional, Services d'architecture et d'ingénierie, TPSGC

Drawing Title/Titre du dessin

DETAILS

Project No./No. du projet R.080936.001	Sheet/Feuille C108	Revision no./La Révision no. 0
--	------------------------------	--

PARSONS VICTORIA I:\BM3446 - PWGSC - WICK ROAD\DWGS\DESIGN\BM3446-WICK ROAD REALIGNMENT.DWG 14 Feb 2017 - 10:31AM



5		
4		
3		
2		
1		
0	ISSUED FOR TENDER	17/01/25
Revision/	Description/Description	Date/Date

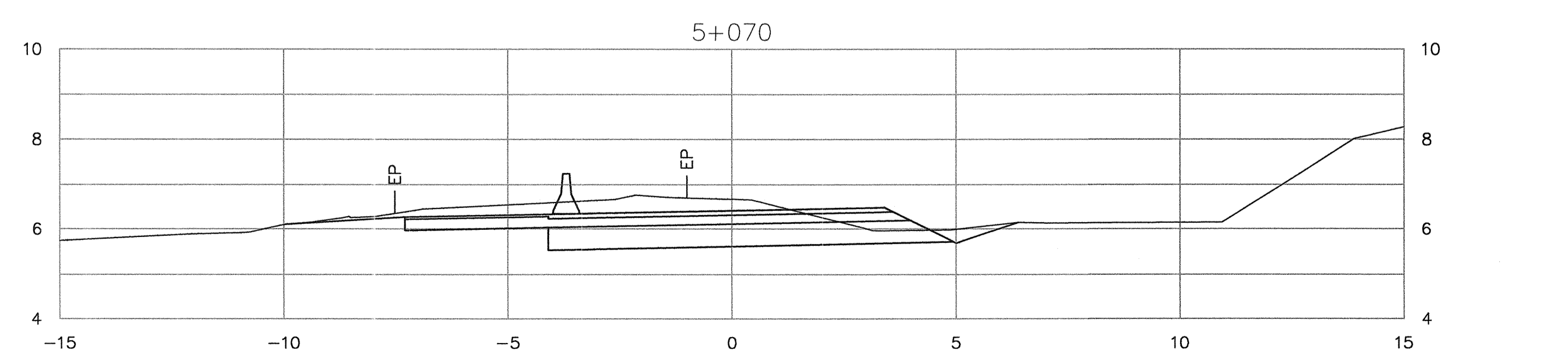
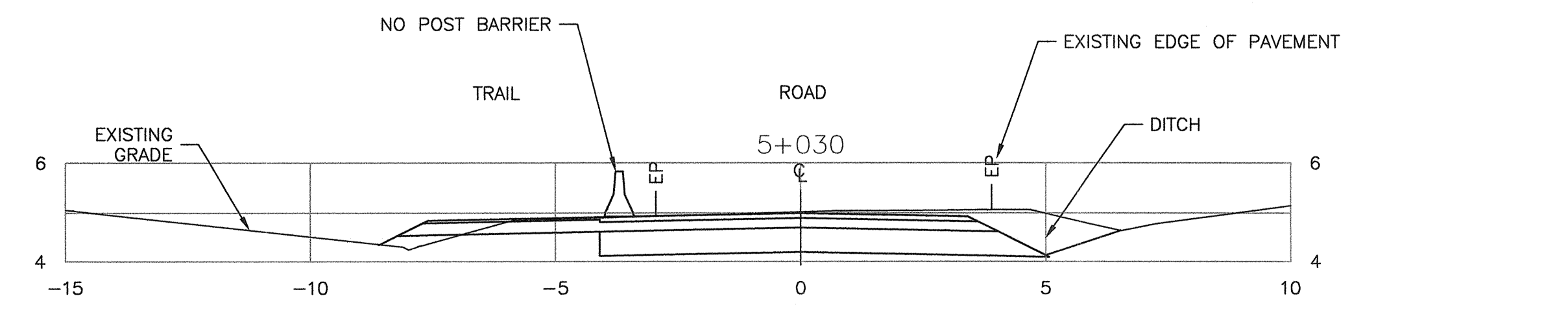
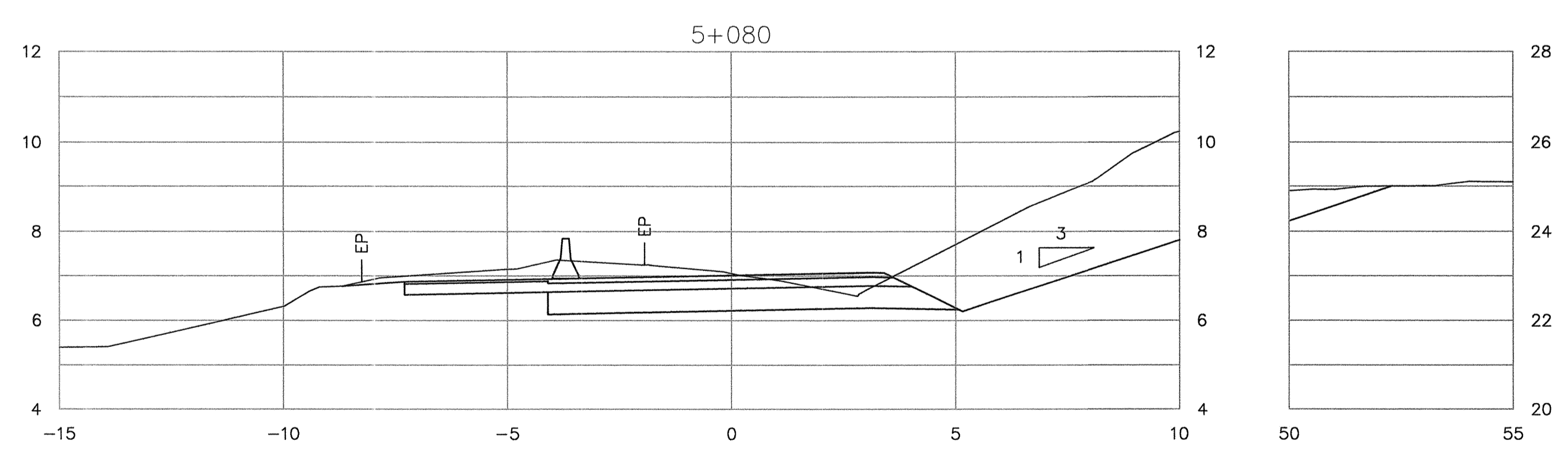
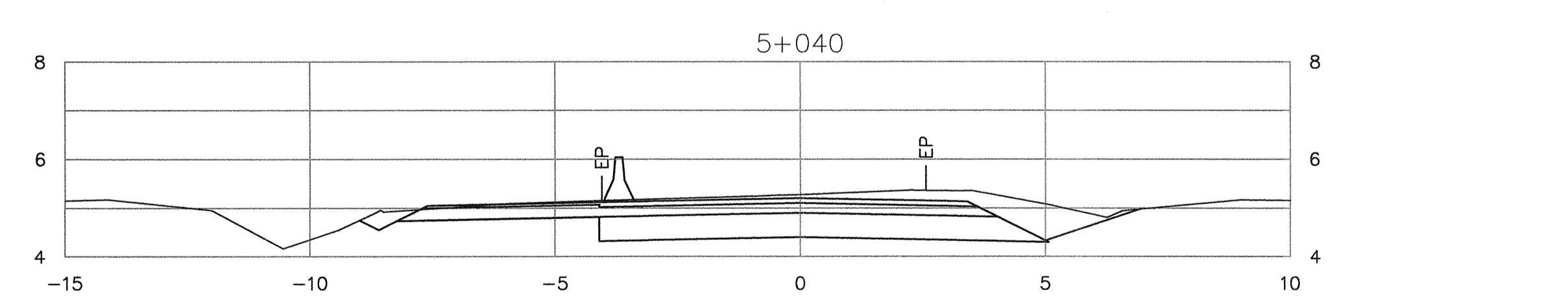
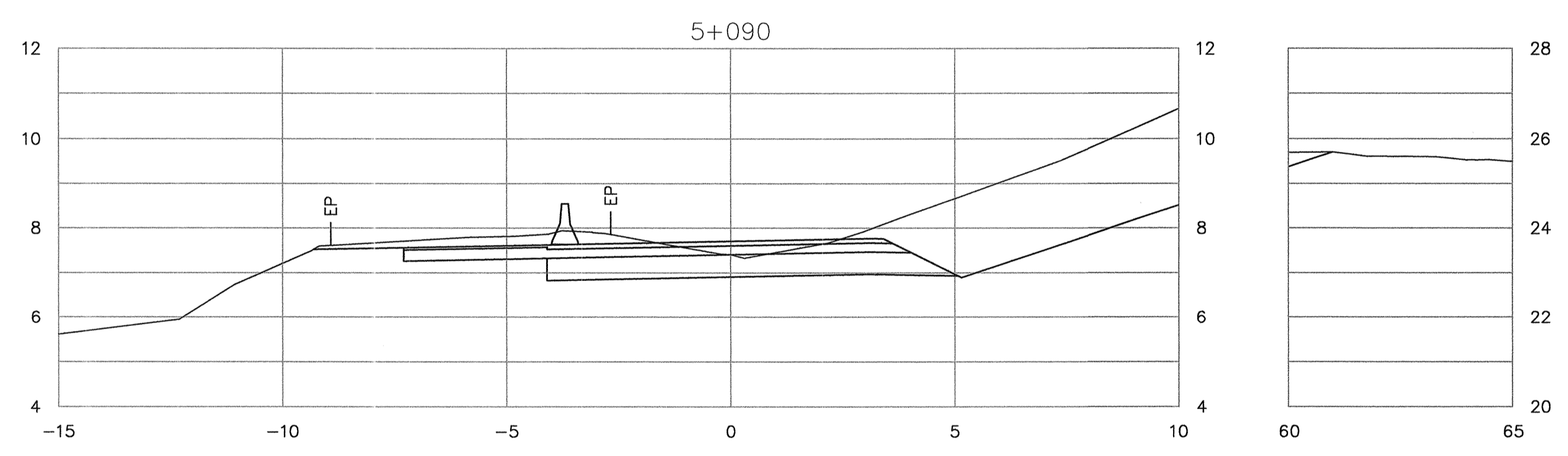
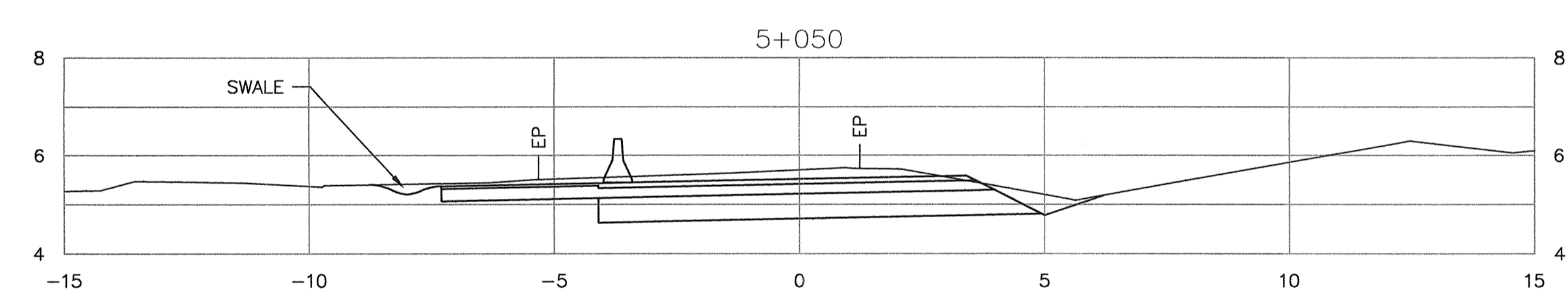
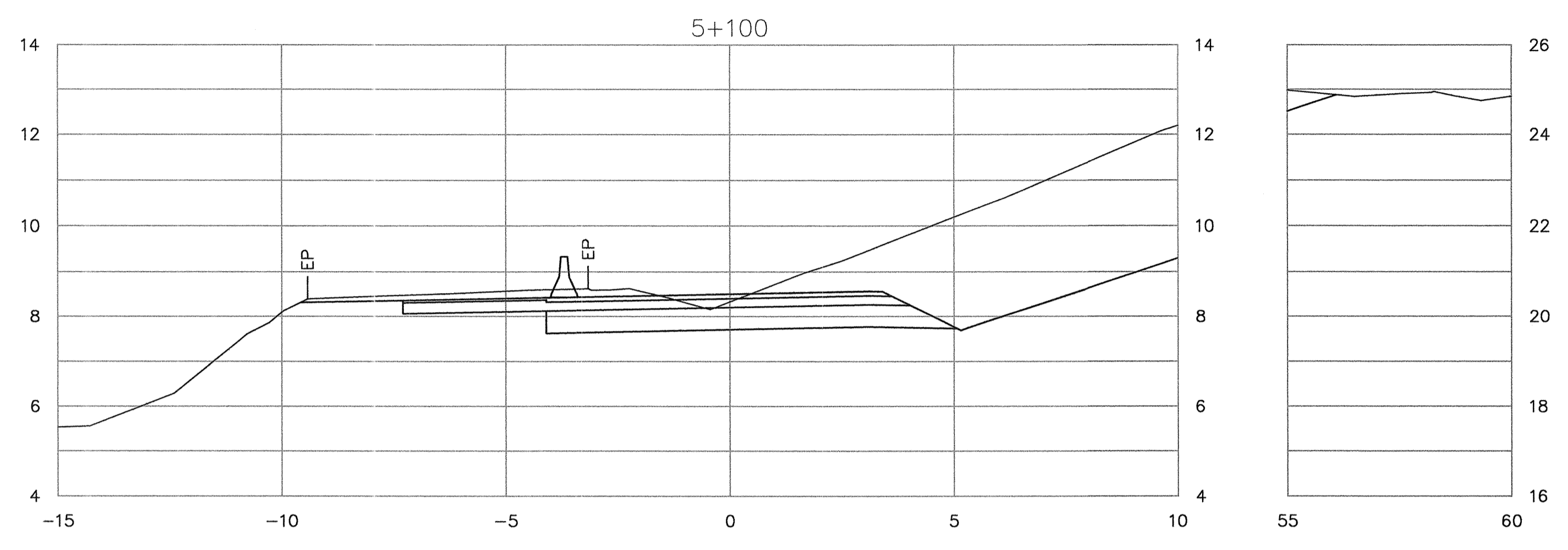
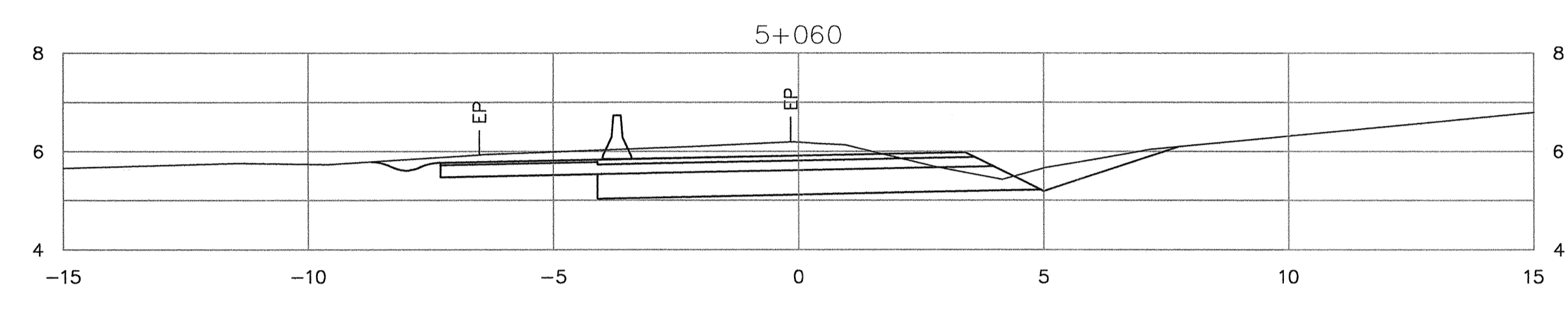
Project title/Titre du projet
**PACIFIC RIM NATIONAL PARK
BRITISH COLUMBIA**

**WICK ROAD AND
KWISITIS PARKING LOT
UPGRADES**

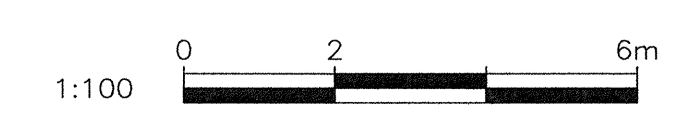
Consultant Signature Only
M. HANEL
Designed by/Concept par
M. HANEL
Drawn by/Dessiné par
P. BERRINGTON
PWGSC Project Manager/Administrateur de Projets TPSGC
Regional Manager, Architectural and Engineering Services,
Gestionnaire régionale, Services d'architectural et de génie, TPSGC

Drawing title/Titre du dessin
**WICK ROAD
STA 5+000 TO STA 5+260
CROSS SECTIONS**

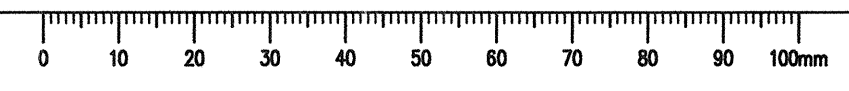
Project No./No. du projet	Sheet/Feuille	Revision no./La Révision no.
R.080936.001	C109	0



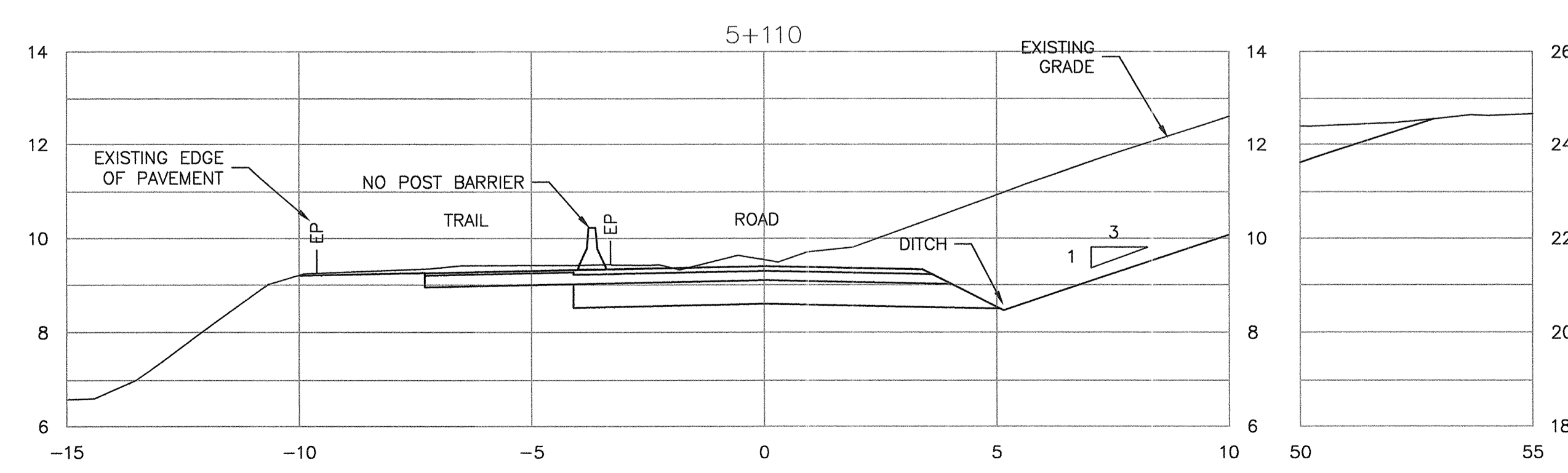
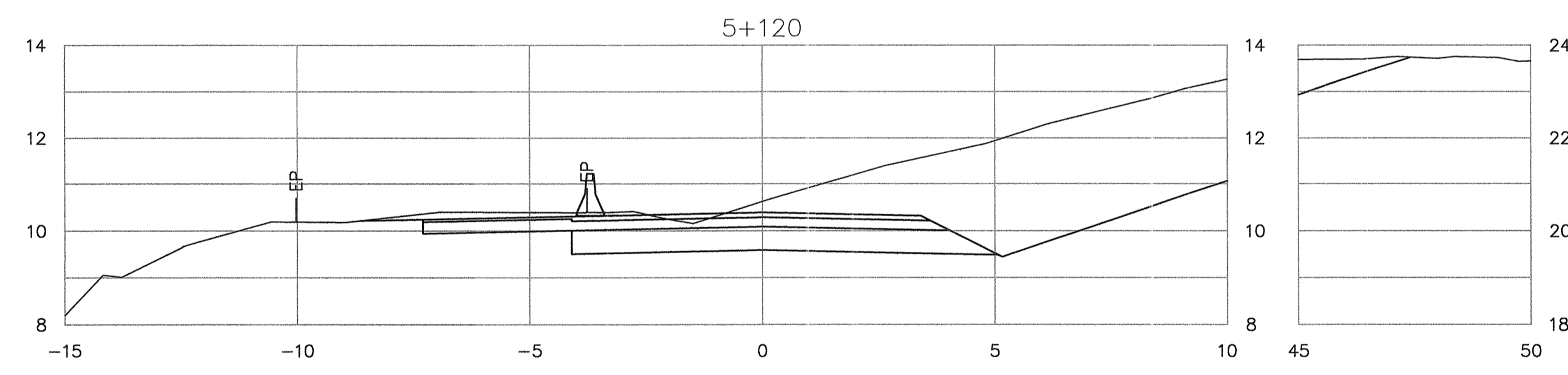
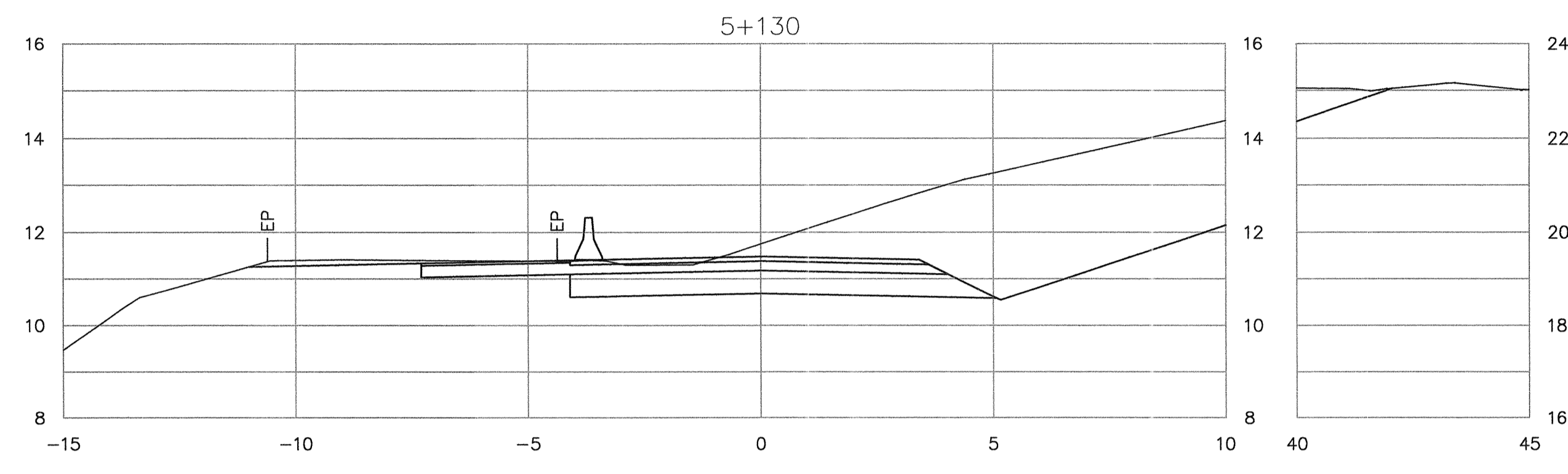
SCALE H1:100 V1:50



PARSONS VICTORIA I:\BM3446 - PWGSC - WICK ROAD\DWGS\DESIGN\BM3446-WICK ROAD REALIGNMENT.DWG 14 Feb 2017-10:31AM



PARSONS VICTORIA I:\BM3446 - PWGSC - WICK ROAD\DWGS\DESIGN\BM3446-WICK ROAD REALIGNMENT.DWG 14 Feb 2017-10:31AM



5		
4		
3		
2		
1		
0	ISSUED FOR TENDER	17/01/25
Revision/	Description/Description	Date/Date

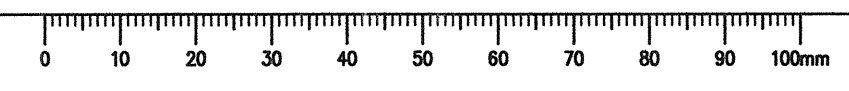
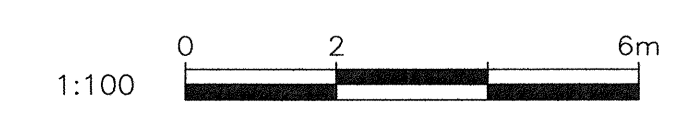
Project Title/Titre du projet
**PACIFIC RIM NATIONAL PARK
 BRITISH COLUMBIA**
**WICK ROAD AND
 KWISITIS PARKING LOT
 UPGRADES**

Consultant Signature Only
M. HANEL
 Designed by/Concept par
M. HANEL
 Drawn by/Designe par
P. BERRINGTON
 PWGSC Project Manager/Administrateur de Projets TPSGC

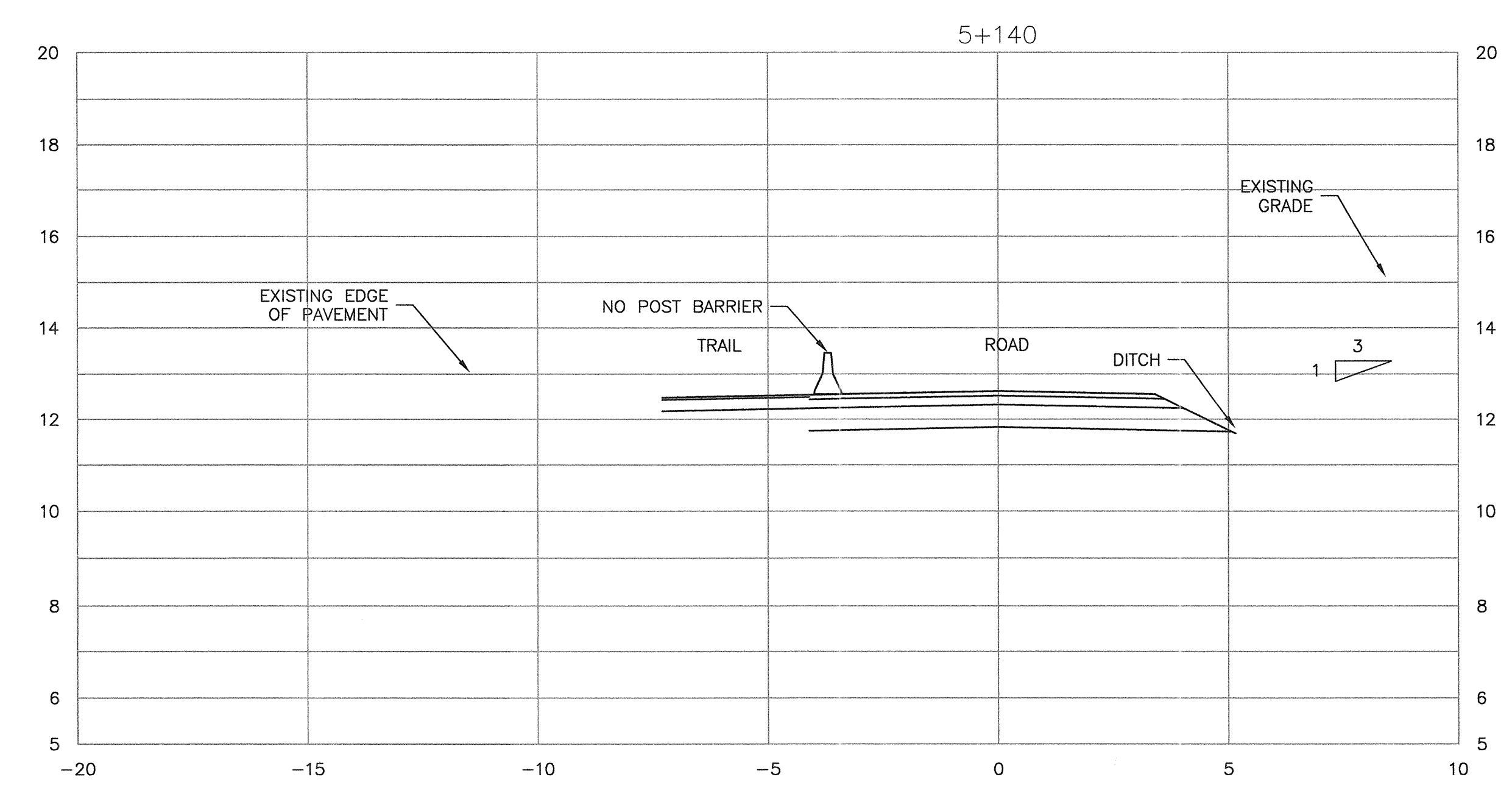
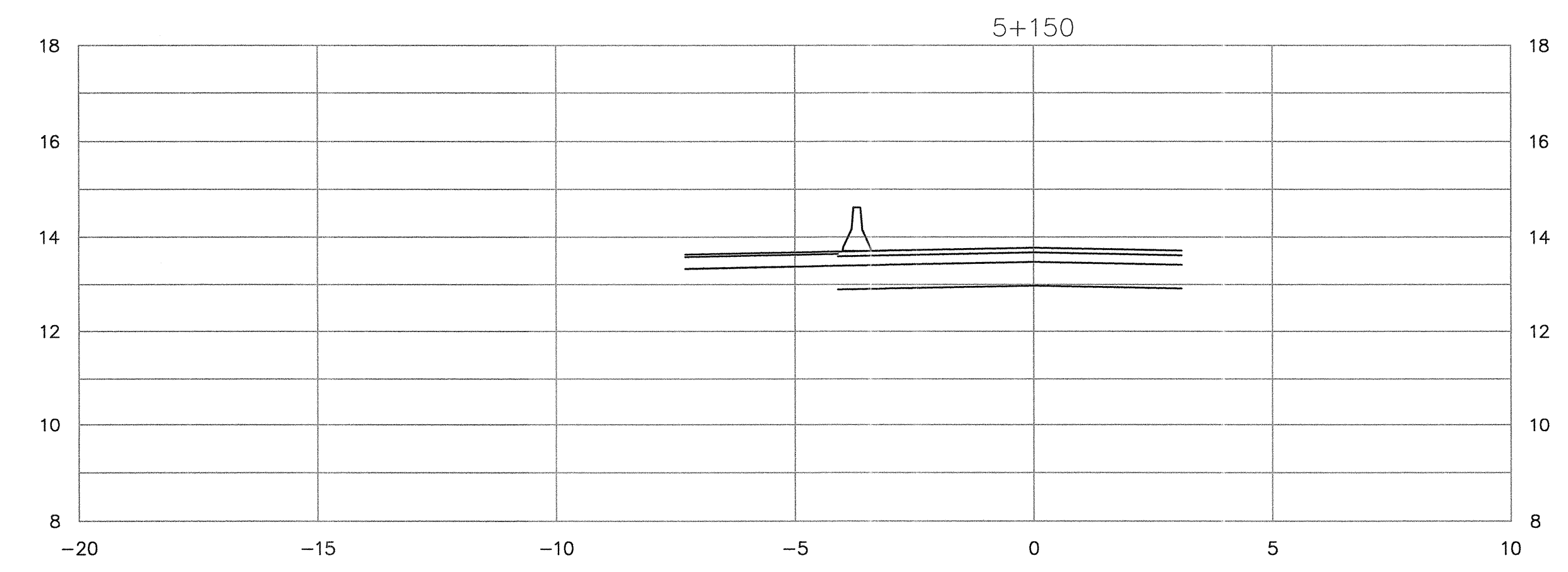
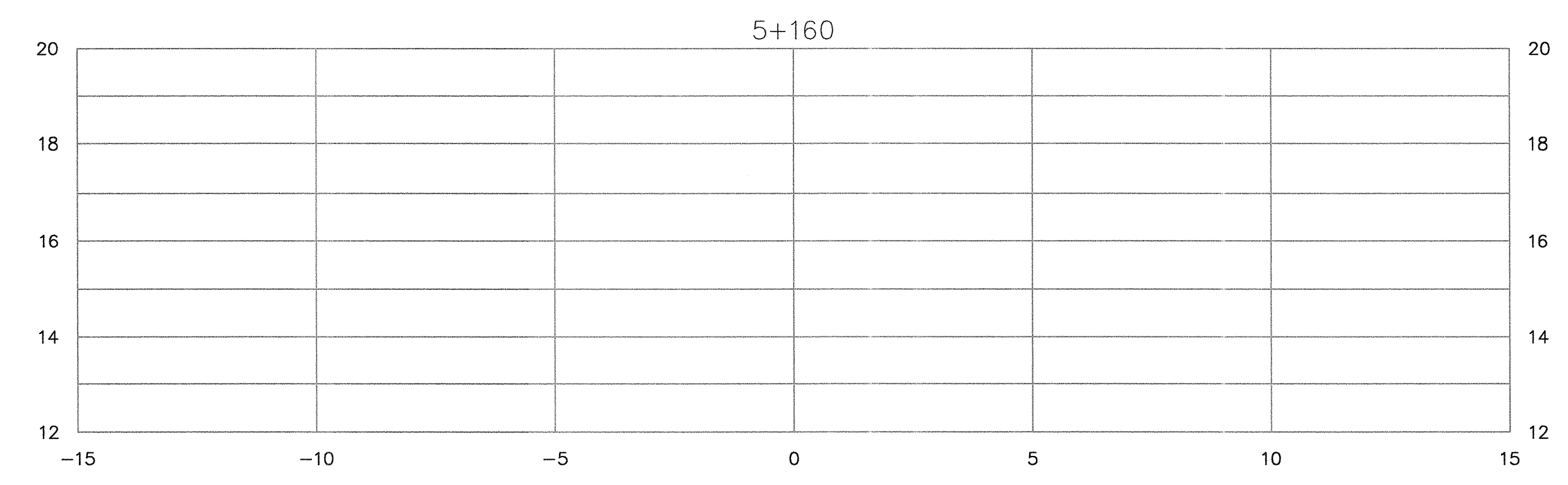
Regional Manager, Architectural and Engineering Services,
 Gestionnaire régionale, Services d'architectural et de génie, TPSGC

Drawing Title/Titre du dessin
**WICK ROAD
 STA 5+000 TO STA 5+260
 CROSS SECTIONS**

Project No./No. du projet	Sheet/Feuille	Revision no./La Révision no.
R.080936.001	C110	0



PARSONS VICTORIA I:\BM3446 - PWGSC - WICK ROAD\DWGS\DESIGN\BM3446-WICK ROAD REALIGNMENT.DWG 14 Feb 2017 - 10:32AM



5		
4		
3		
2		
1		
0	ISSUED FOR TENDER	17/01/25
Revision/	Description/Description	Date/Date

Client/client

Project title/Titre du projet
**PACIFIC RIM NATIONAL PARK
BRITISH COLUMBIA**

**WICK ROAD AND
KWISITIS PARKING LOT
UPGRADES**

Consultant Signature Only
M. HANEL

Designed by/Concept par
M. HANEL

Drawn by/Dessiné par
P. BERRINGTON

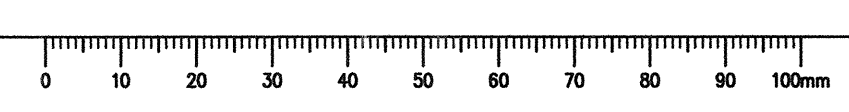
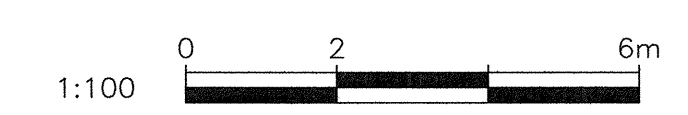
PWGSC Project Manager/Administrateur de Projets TPSGC

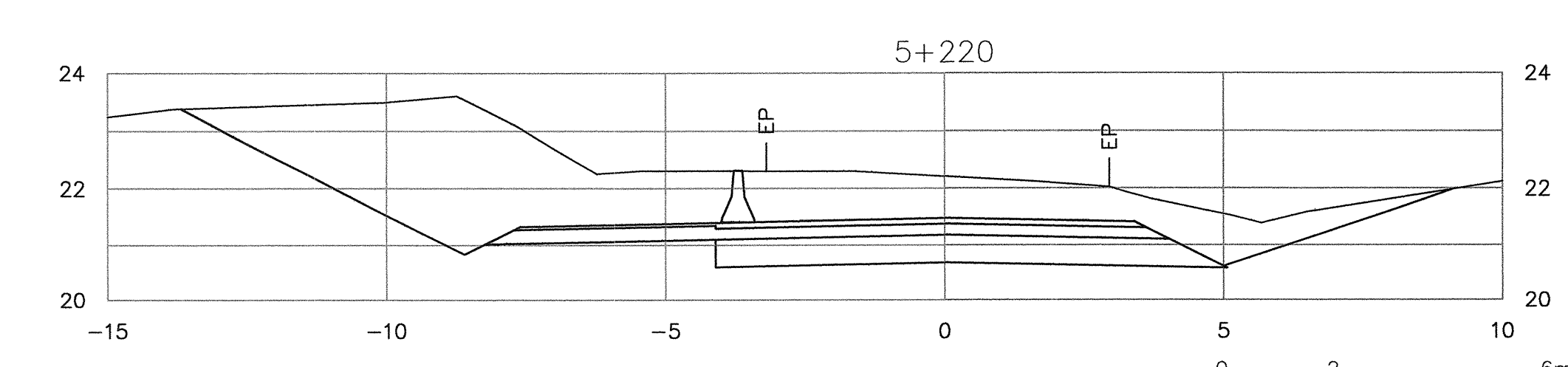
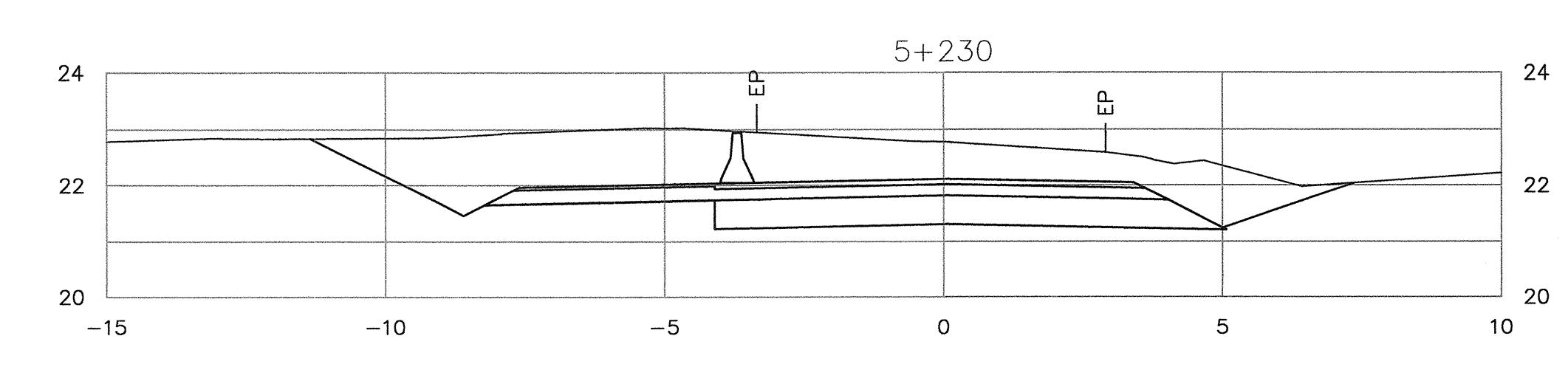
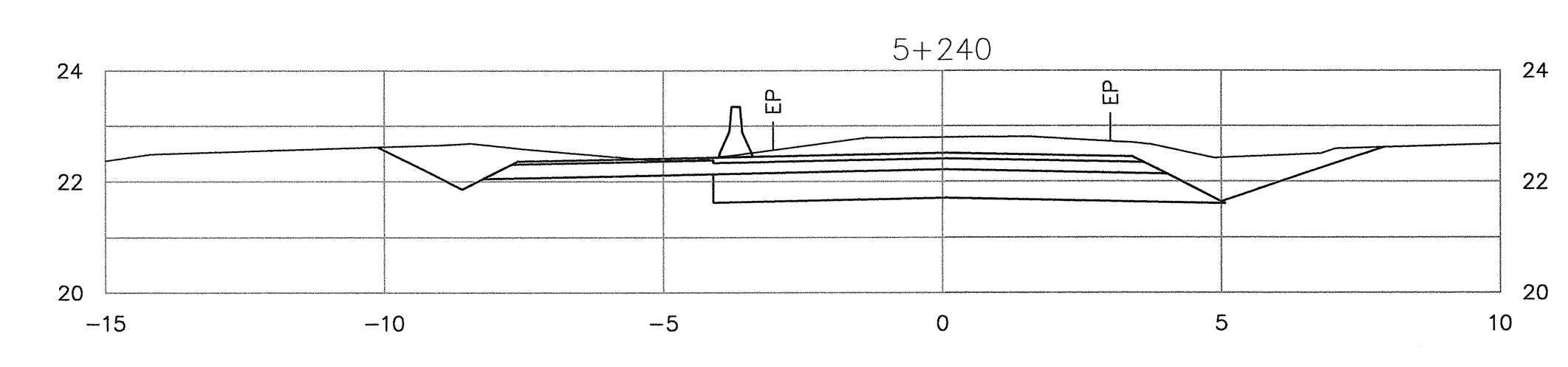
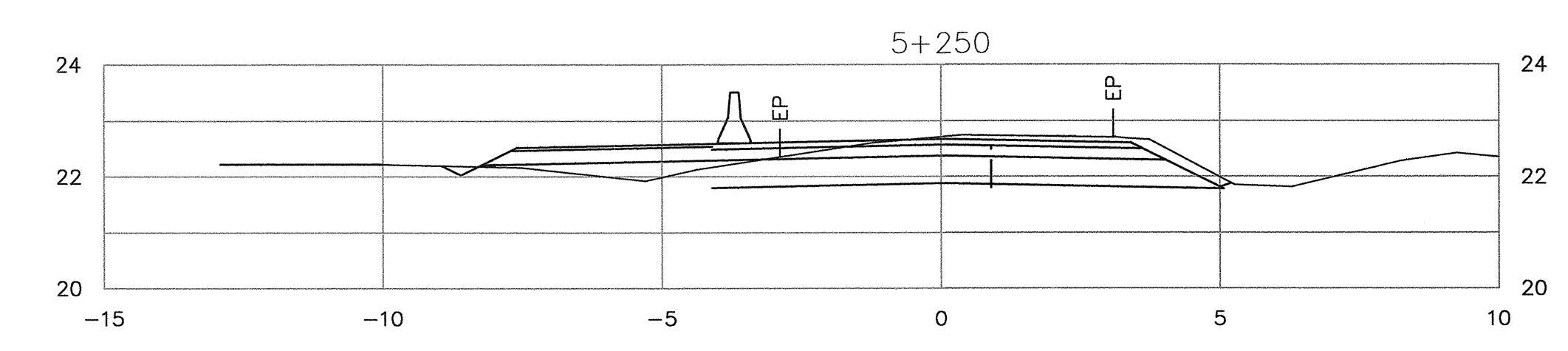
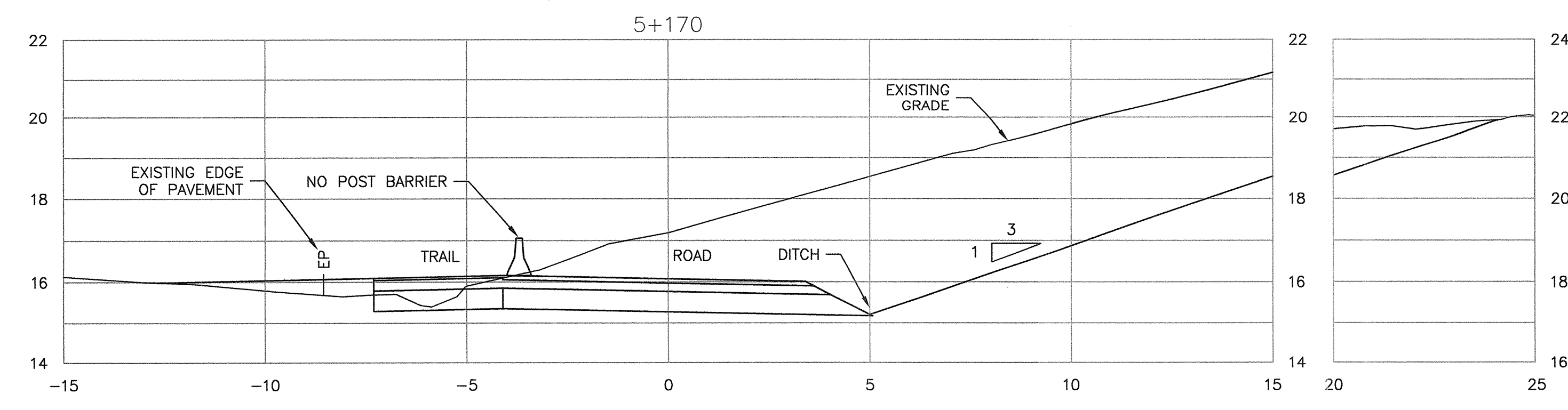
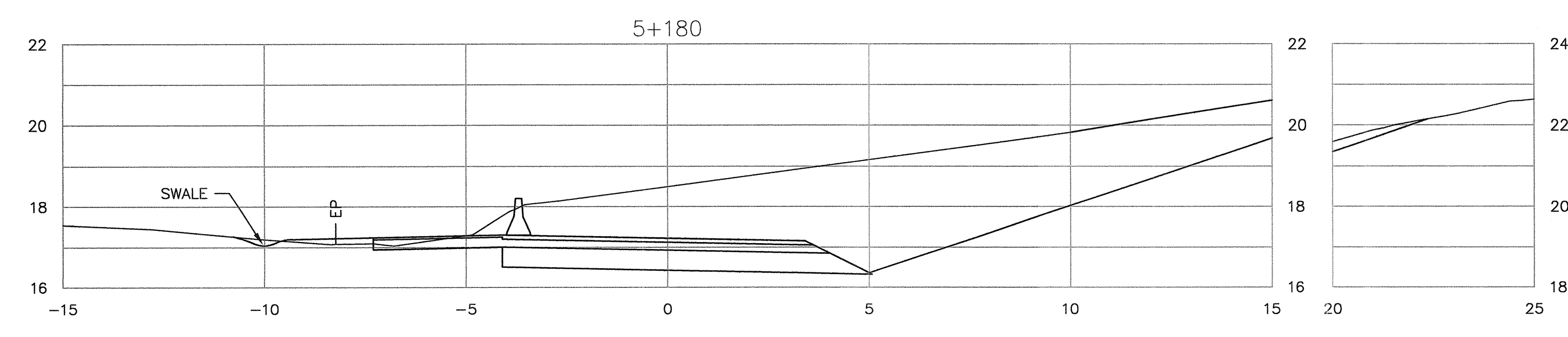
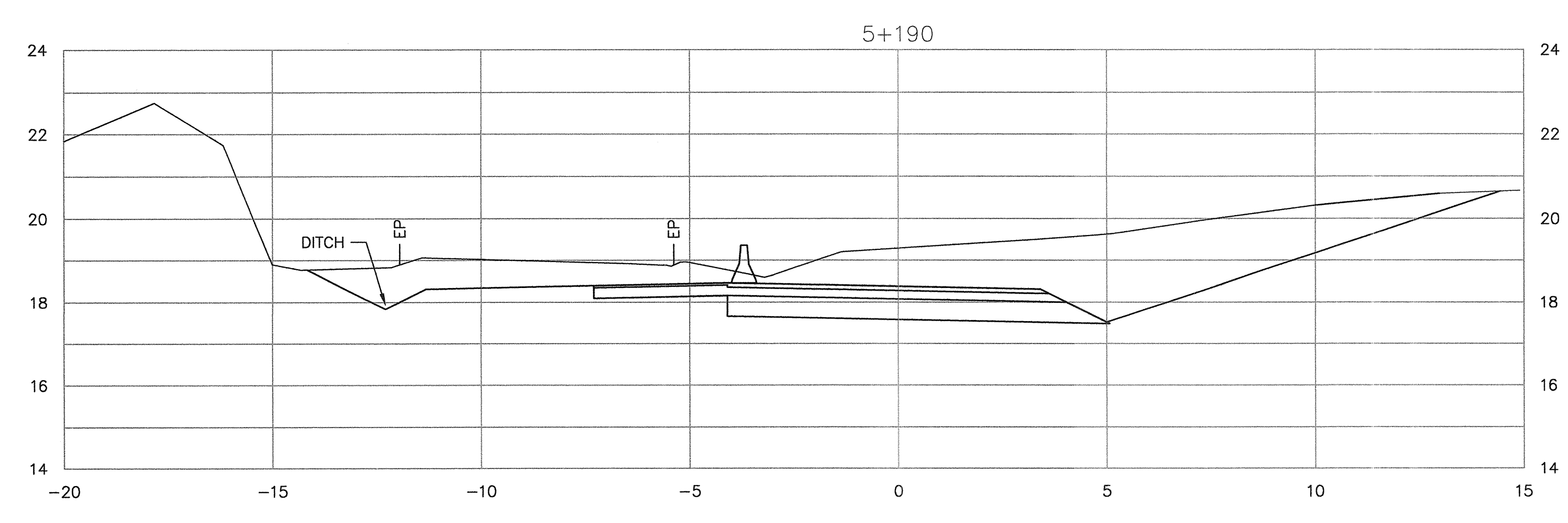
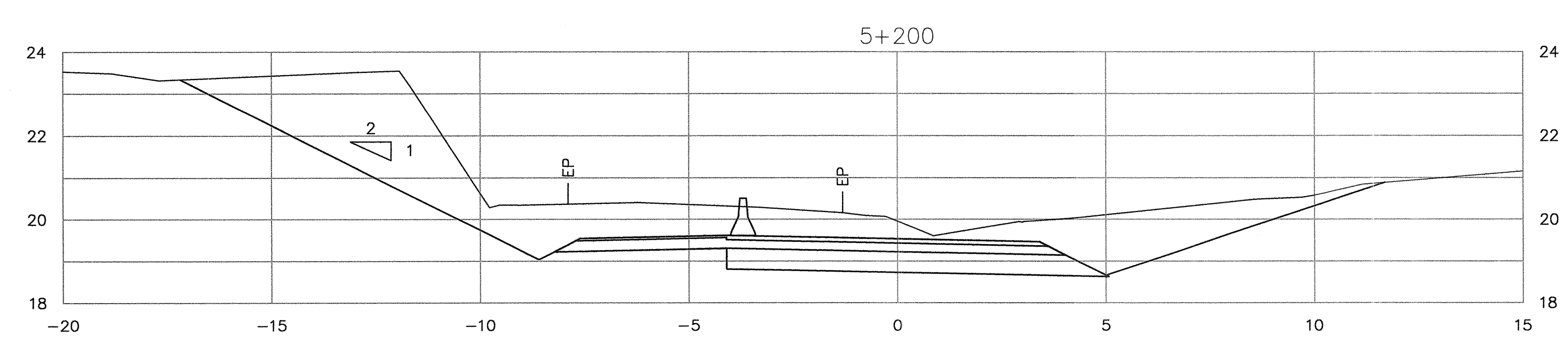
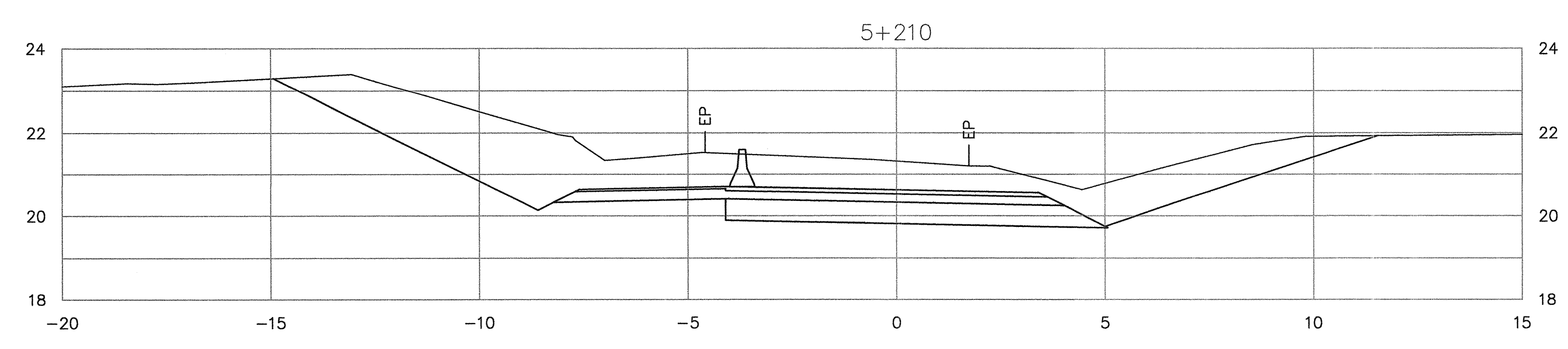
Regional Manager, Architectural and Engineering Services,
Gestionnaire régionale, Services d'architectural et de génie, TPSGC

Drawing title/Titre du dessin

**WICK ROAD
STA 5+000 TO STA 5+260
CROSS SECTIONS**

Project No./No. du projet R.080936.001	Sheet/Feuille C111	Revision no./La Révision no. 0
--	------------------------------	--





5		
4		
3		
2		
1		
0	ISSUED FOR TENDER	17/01/25
Revision/	Description/Description	Date/Date
Client/client		

Project title/Titre du projet
**PACIFIC RIM NATIONAL PARK
 BRITISH COLUMBIA**

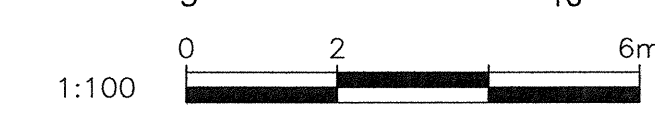
**WICK ROAD AND
 KWISITIS PARKING LOT
 UPGRADES**

Consultant Signature Only
M. HANEL
 Designed by/Concept par
M. HANEL
 Drawn by/Dessiné par
P. BERRINGTON
 PWGSC Project Manager/Administrateur de Projets TPSGC

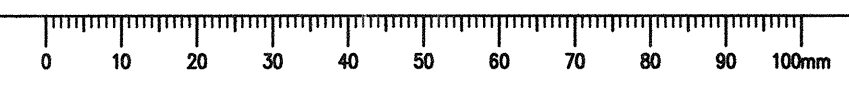
Regional Manager, Architectural and Engineering Services,
 Gestionnaire régionale, Services d'architectural et de génie, TPSGC

Drawing title/Titre du dessin
**WICK ROAD
 STA 5+000 TO STA 5+260
 CROSS SECTIONS**

Project No./No. du projet	Sheet/Feuille	Revision no./La Révision no.
R.080936.001	C112	0



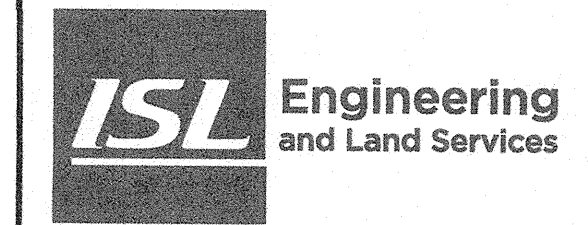
PARSONS VICTORIA I:\BM3446 - PWGSC - WICK ROAD\DWGS\DESIGN\BM3446 - WICK ROAD REALIGNMENT.DWG 14 Feb 2017 - 10:32AM



LEGEND

EXISTING	PROPOSED	
		ASPHALT PAVEMENT
		SANITARY SEWER
		STORM SEWER
		WATERMAIN/FORCE MAIN
		GAS MAIN
		CULVERT
		MANHOLE
		CATCH BASIN
		TREELINE
		TREES
		AIR VALVE
		FLUSH OUT/BLOW DOWN
		UTILITY POLE
		STREET LIGHT
		JUNCTION BOX
		ROAD SIGN
		FENCE
		BOLLARD
		PULLBOX
		ELECTRICAL
		FORCE MAIN
		ELEVATIONS

HDPE - HIGH DENSITY POLY-ETHYLENE PIPE
 PVC - POLYVINYL CHLORIDE PIPE
 H/D - HORIZONTAL DIRECTIONAL DRILLING
 F/M - FORCE MAIN
 SAN - SANITARY
 WTR - WATER



6		
5		
4		
3		
2		
1	ISSUED FOR TENDER	17/01/25
Revision/	Description/Description	Date/Date
Client/client		

PUBLIC SERVICES & PROCUREMENT CANADA

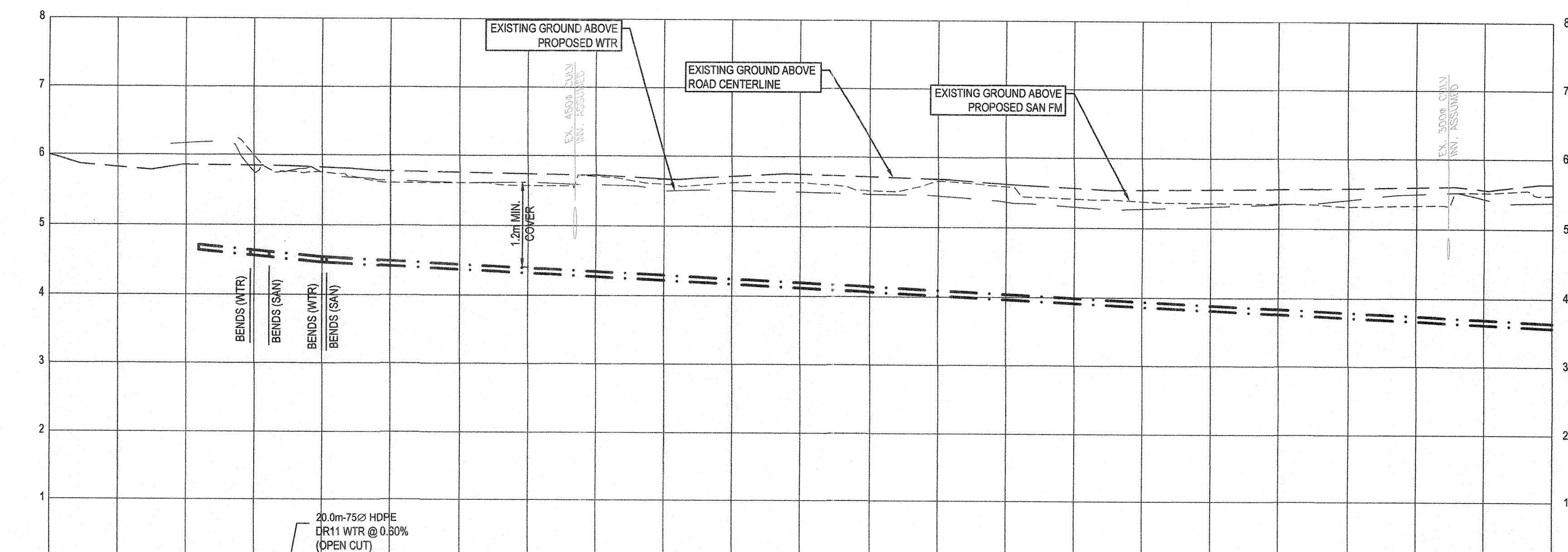
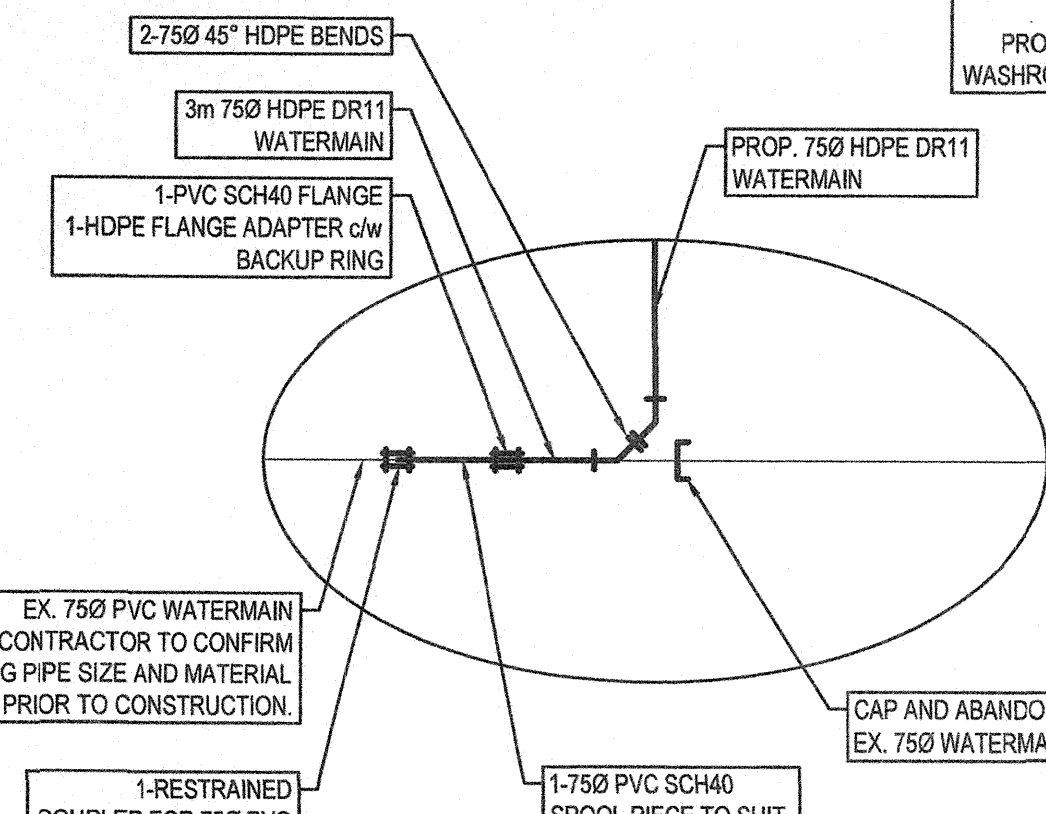
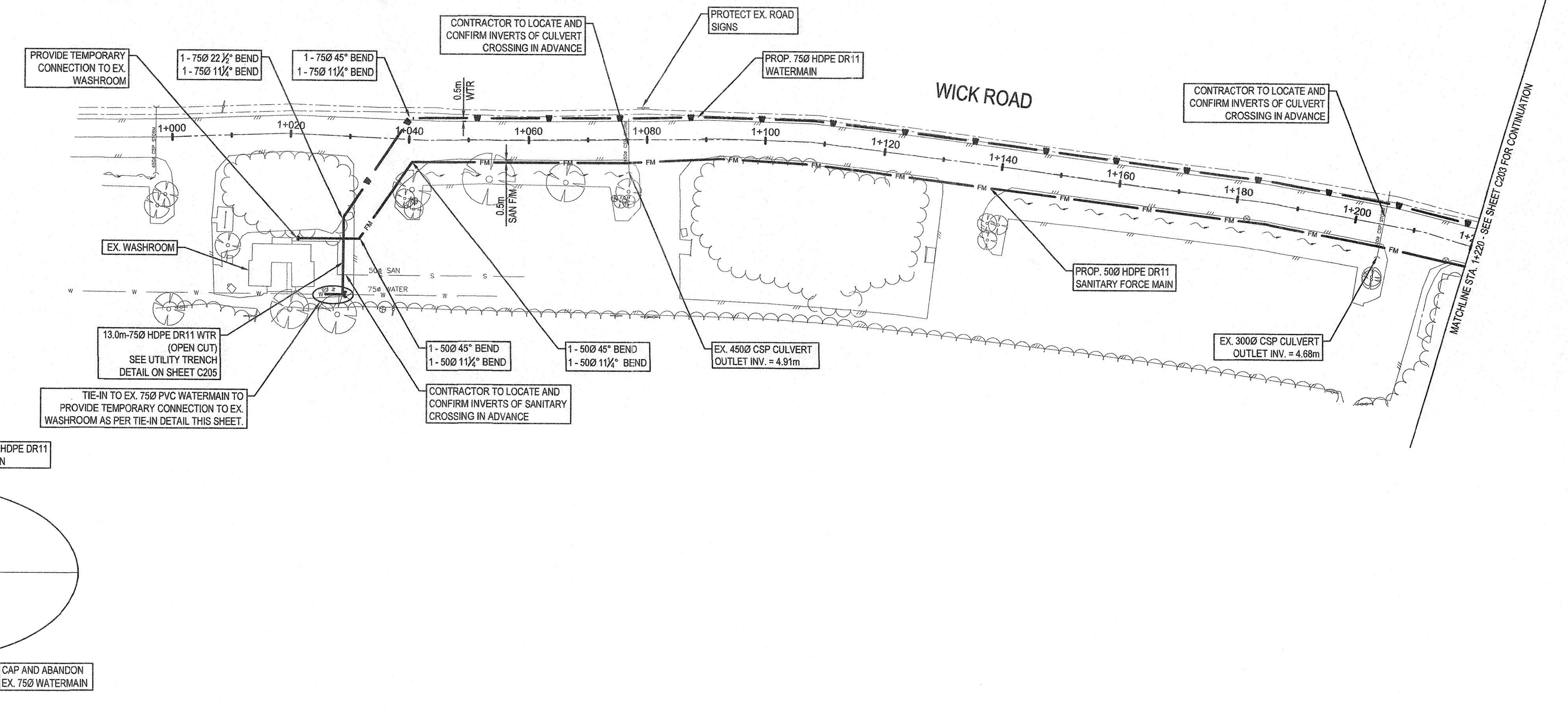
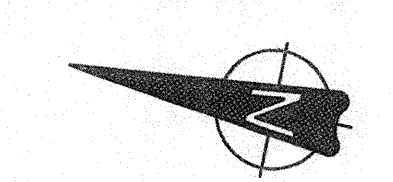
Project title/Titre du projet
**PACIFIC RIM NATIONAL PARK
 TOFINO, BC**

**WICK ROAD AND KWISITIS
 PARKING LOT UPGRADES**

Consultant Signature Only
S. VERKAIK
 Designed by/Concept par
D.FAN
 Drawn by/Dessiné par
D.FAN
 PWSC Project Manager/Administrateur de Projets TPSGC
T. DUNPHY
 Regional Manager, Architectural and Engineering Services
 Gestionnaire régionale, Services d'architecture et de génie, TPSGC
PREETIPAL PAUL

Drawing title/Titre du dessin
**WATERMAIN AND SAN FORCE MAIN
 WICK ROAD**
WICKANINNISH BEACH SERVICING

Project No./No. du projet R.080936.001	Sheet/Feuille C202 OF 5	Revision no./La Révision no. 1
--	--------------------------------------	--



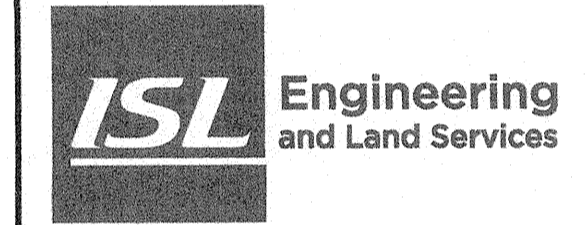
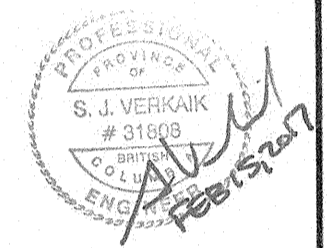
DATA	CHAINAGE	WATERMAIN DATA	SAN F/M DATA
WATERMAIN DATA	1+000	360m-750 HDPE DR11 WTR @ 0.50% (DIRECTIONAL DRILL)	
SAN F/M DATA	1+000		360m-500 HDPE SAN FM WTR @ 0.50% (DIRECTIONAL DRILL)
CHAINAGE	1+000, 1+020, 1+021.90, 1+023.45, 1+040, 1+040.67, 1+060, 1+080, 1+100, 1+120, 1+140, 1+160, 1+180, 1+200, 1+220		

H:\projects\31658_Pacific Rim Wick Beach Servicing\02_CADD\20_Drafting\201_Sheets\31658_C02-04_Wickaninnish Beach Water.dwg

LEGEND

EXISTING	PROPOSED	DESCRIPTION
		ASPHALT PAVEMENT
		SANITARY SEWER
		STORM SEWER
		WATERMAIN/WATER METER
		BLOWOFF/FLUSHING
		GAS MAIN/VALVE
		CULVERT
		MANHOLE
		CATCH BASIN
		TREELINE
		TREES
		AIR VALVE
		FLUSH OUT/BLOW DOWN
		UTILITY POLE
		STREET LIGHT
		JUNCTION BOX
		ROAD SIGN
		FENCE
		BOLLARD
		PULLBOX
		ELECTRICAL
		FORCE MAIN
		ELEVATIONS

HDPE - HIGH DENSITY POLY-ETHYLENE PIPE
 PVC - POLYVINYL CHLORIDE PIPE
 HD - HORIZONTAL DIRECTIONAL DRILLING
 F/M - FORCE MAIN
 SAN - SANITARY
 WTR - WATER



Revision/Revisão	Description/Description	Date/Date
6		
5		
4		
3		
2		
1	ISSUED FOR TENDER	17/01/25

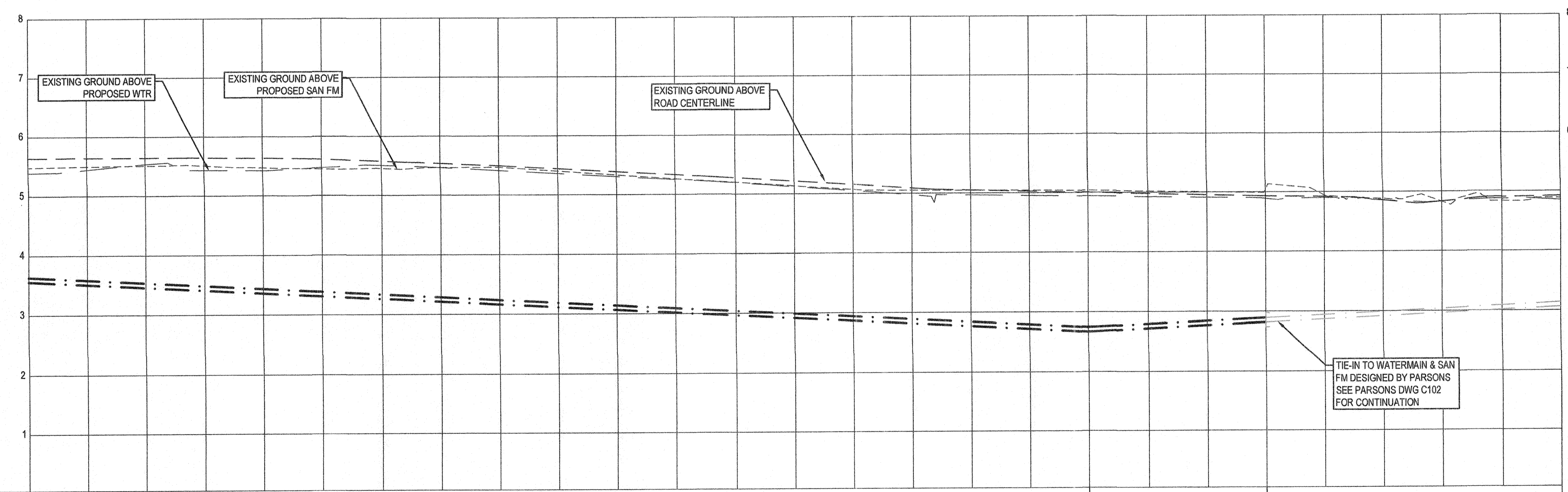
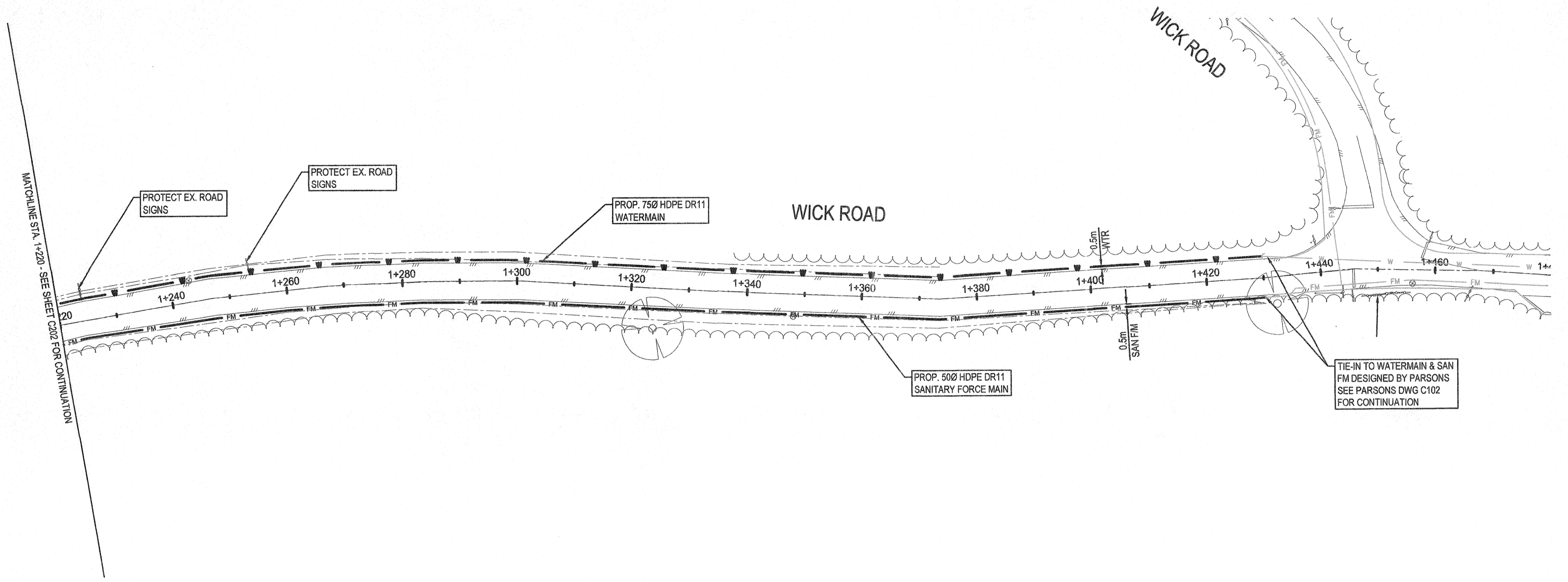
Client/Client: PUBLIC SERVICES & PROCUREMENT CANADA

Project title/Titre du projet: PACIFIC RIM NATIONAL PARK TOFINO, BC
WICK ROAD AND KWISITIS PARKING LOT UPGRADES

Consultant Signature Only: **S. VERKAIK**
 Designed by/Concept par: **D.FAN**
 Drawn by/Dessiné par: **D.FAN**
 PWOSC Project Manager/Administrateur de Projets TPSC: **T. DUNPHY**
 Regional Manager, Architectural and Engineering Services / Gestionnaire régionale, Services d'architecture et de génie, TPSC: **PREETIPAL PAUL**

Drawing title/Titre du dessin: **WATERMAIN AND SAN FORCE MAIN WICK ROAD**
WICKANINNIISH BEACH SERVICING

Project No./No. du projet: R.080936.001	Sheet/Feuille: C203	Revision no./La Révision No.: 1
	OF 5	



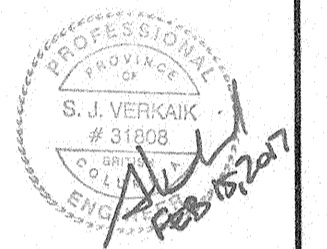
DATA	1+240	1+260	1+280	1+300	1+320	1+340	1+360	1+380	1+400	1+420	1+430	1+440	1+460	1+480	
WATERMAIN DATA	360m-750 HDPE DR11 WTR @ 0.5% (DIRECTIONAL DRILL)								2.86	30m-750 HDPE DR11 WTR @ 0.50% (DIRECTIONAL DRILL)		2.81			
SAN F/M DATA	360m-500 HDPE DR11 SAN FM @ 0.5% (DIRECTIONAL DRILL)								2.86	30m-500 HDPE DR11 SAN FM @ 0.60% (DIRECTIONAL DRILL)		2.81			
CHAINAGE	1+240	1+260	1+280	1+300	1+320	1+340	1+360	1+380	1+400	1+420	1+430	1+440	1+460	1+480	

H:\projects\31658 Pacific Rim Wick Beach Servicing\02_CADD\20_Drafting\201_Sheets\31658_C02-04_Wickaninish Beach Water.dwg

LEGEND

EXISTING	PROPOSED	DESCRIPTION
		ASPHALT PAVEMENT
		SANITARY SEWER
		STORM SEWER
		WATERMAIN/WATER BLOWOFF/HYDRANT
		GAS MAIN/VALVE
		MANHOLE
		CATCH BASIN
		TREE LINE
		TREES
		AIR VALVE
		FLUSH OUT/BLOW DOWN
		UTILITY POLE
		STREET LIGHT
		JUNCTION BOX
		ROAD SIGN
		FENCE
		BOLLARD
		PULL BOX
		ELECTRICAL
		FORCEMAN
		ELEVATIONS

HDPE - HIGH DENSITY POLY-ETHYLENE PIPE
PVC - POLYVINYL CHLORIDE PIPE
HSD - HORIZONTAL SPECTRUM DRILLING
FAN - FORCEMAIN
SAN - SANITARY
WTR - WATER



6		
5		
4		
3		
2		
1	ISSUED FOR TENDER	17/01/25
Revision/	Description/Description	Date/Date

Client/client
PUBLIC SERVICES & PROCUREMENT CANADA

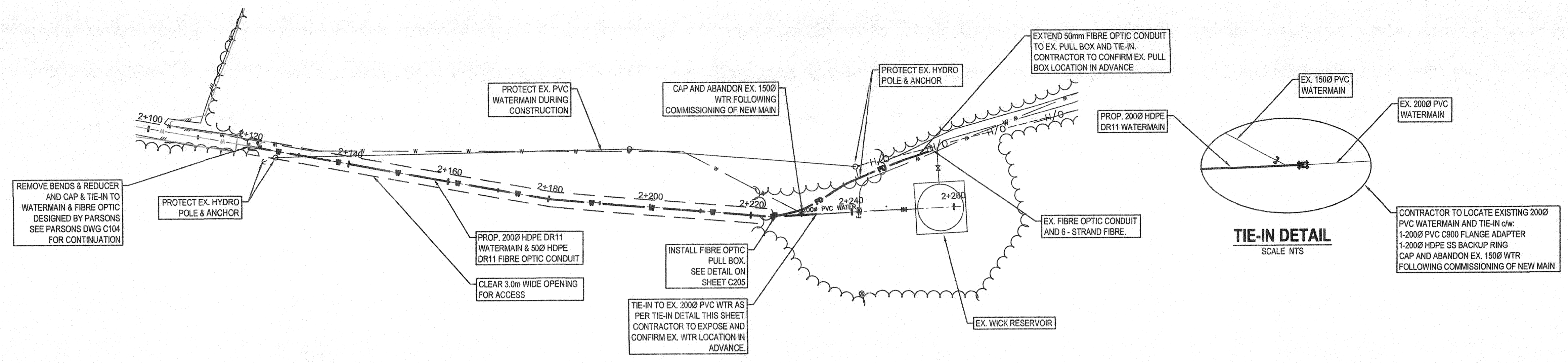
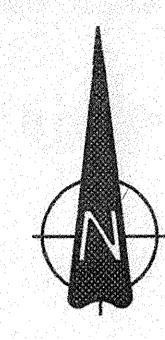
Project title/Titre du projet
**PACIFIC RIM NATIONAL PARK
TOFINO, BC**

**WICK ROAD AND KWISITIS
PARKING LOT UPGRADES**

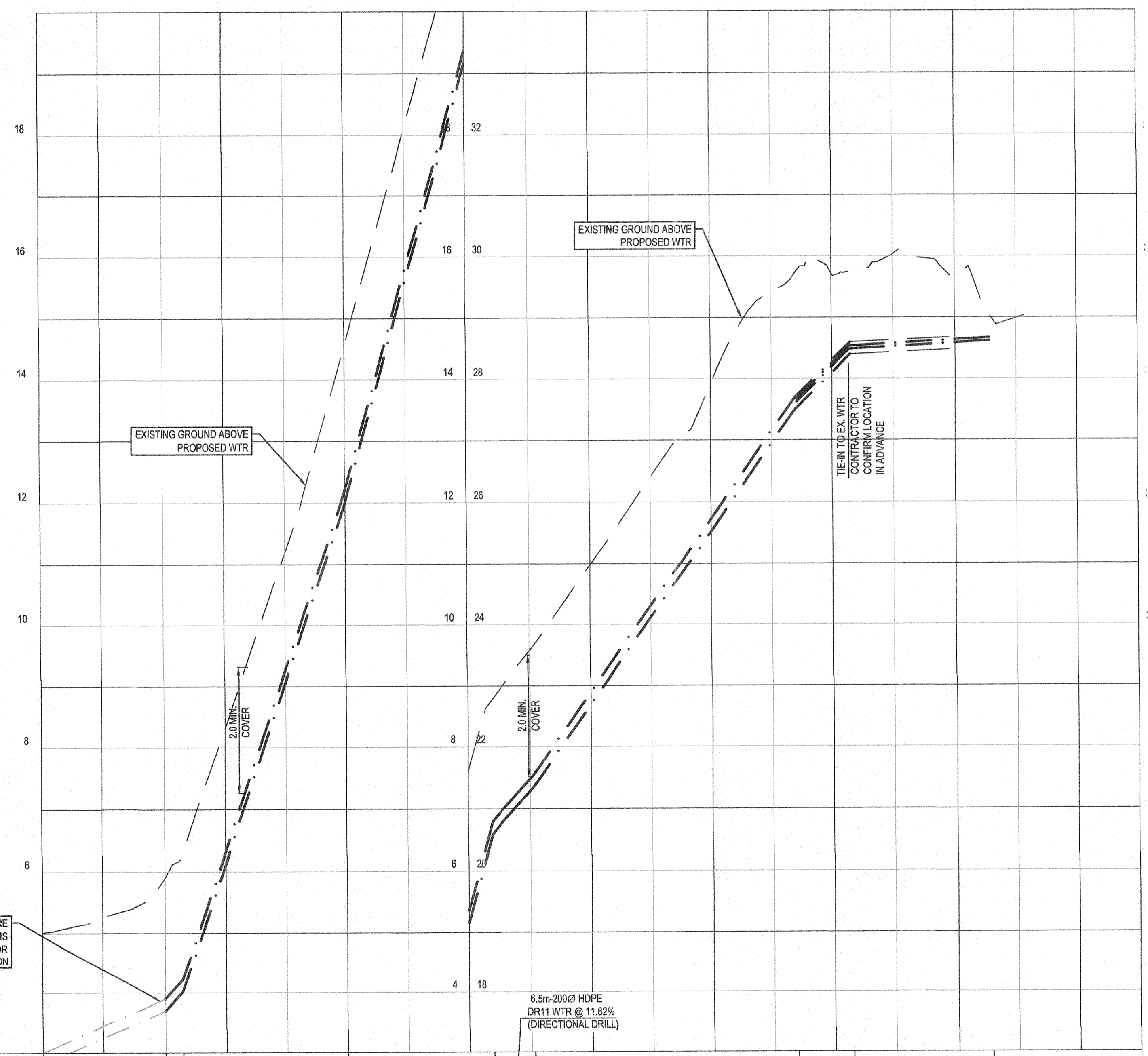
Consultant Signature Only
S. VERKAIK
Designed by/Concept par
D.FAN
Drawn by/Dessiné par
D.FAN
PWSC Project Manager/Administrateur de Projets TPSGC
T. DUNPHY
Regional Manager, Architectural and Engineering Services
Gestionnaire régionale, Services d'architectural et de génie, TPSGC
PREETIPAL PAUL

Drawing title/Titre du dessin
**WATERMAIN AND FIBRE OPTIC
KWISITIS VISITOR CENTRE
TO WICK RESERVOIR
WICKANINNIISH BEACH SERVICING**

Project No./No. du projet R.080936.001	Sheet/Feuille C204	Revision no./La Révision no. 1
--	------------------------------	--

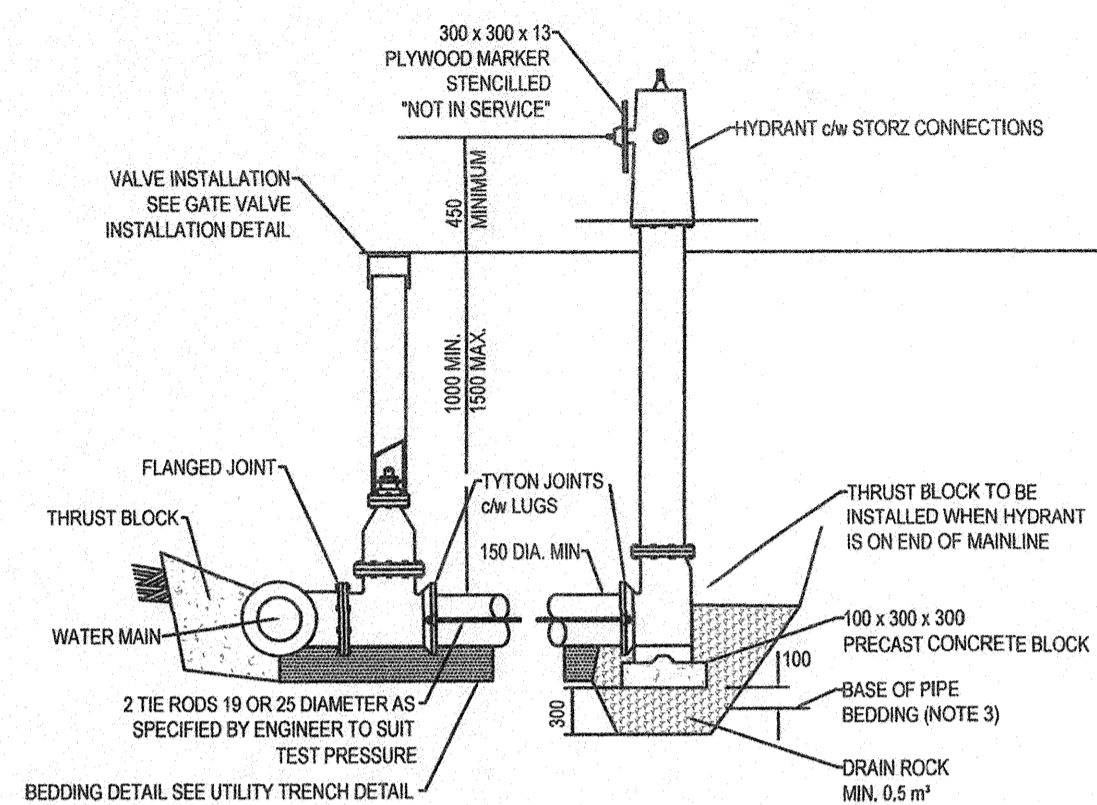


TIE-IN DETAIL
SCALE NTS

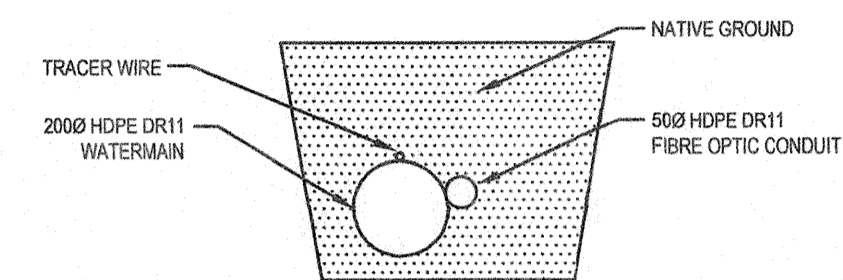


WATERMAIN DATA	FIBRE OPTIC DATA	CHAINAGE
2.9m-200Ø HDPE DR11 WTR @ 10.86% (DIRECTIONAL DRILL)	2.9m-500 HDPE DR11 FIBRE OPTIC @ 10.86% (DIRECTIONAL DRILL)	2+100
27.1m-200Ø HDPE DR11 WTR @ 29.43% (DIRECTIONAL DRILL)	27.1m-500 HDPE DR11 FIBRE OPTIC @ 29.43% (DIRECTIONAL DRILL)	2+120
24.0m-200Ø HDPE DR11 WTR @ 35.78% (DIRECTIONAL DRILL)	24.0m-500 HDPE DR11 FIBRE OPTIC @ 35.78% (DIRECTIONAL DRILL)	2+140
43.4m-200Ø HDPE DR11 WTR @ 14.18% (DIRECTIONAL DRILL)	43.4m-500 HDPE DR11 FIBRE OPTIC @ 14.18% (DIRECTIONAL DRILL)	2+160
9.1m-200Ø HDPE DR11 WTR @ 9.82% (DIRECTIONAL DRILL)	9.1m-200Ø HDPE DR11 WTR @ 9.82% (DIRECTIONAL DRILL)	2+180
24.3m-500 HDPE DR11 FIBRE OPTIC @ 0.50% (DIRECTIONAL DRILL)		2+200
		2+220
		2+240
		2+260
		2+280

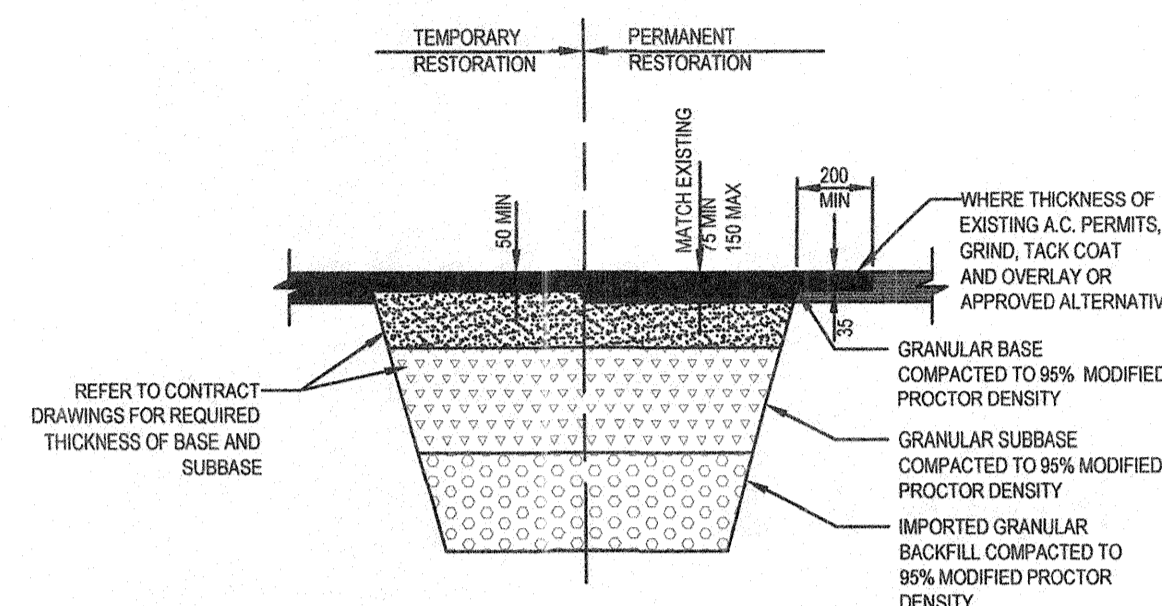
H:\projects\31658 Pacific Rim Wick Beach Servicing\02_CADD\20_Drafting\201_Sheets\31658_CO4_Wick Beach Water.dwg



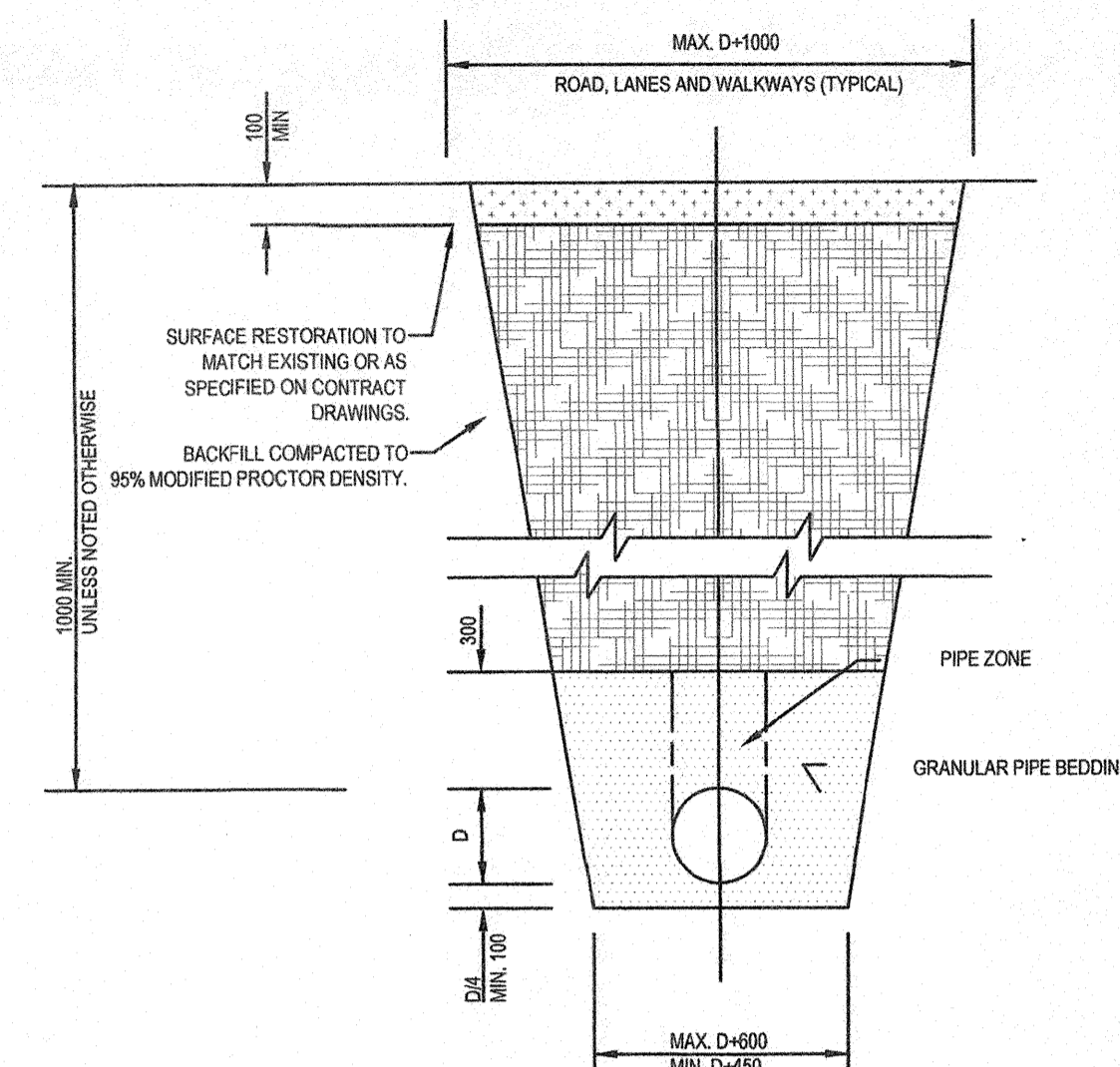
FIRE HYDRANT INSTALLATION DETAIL
SCALE: NTS



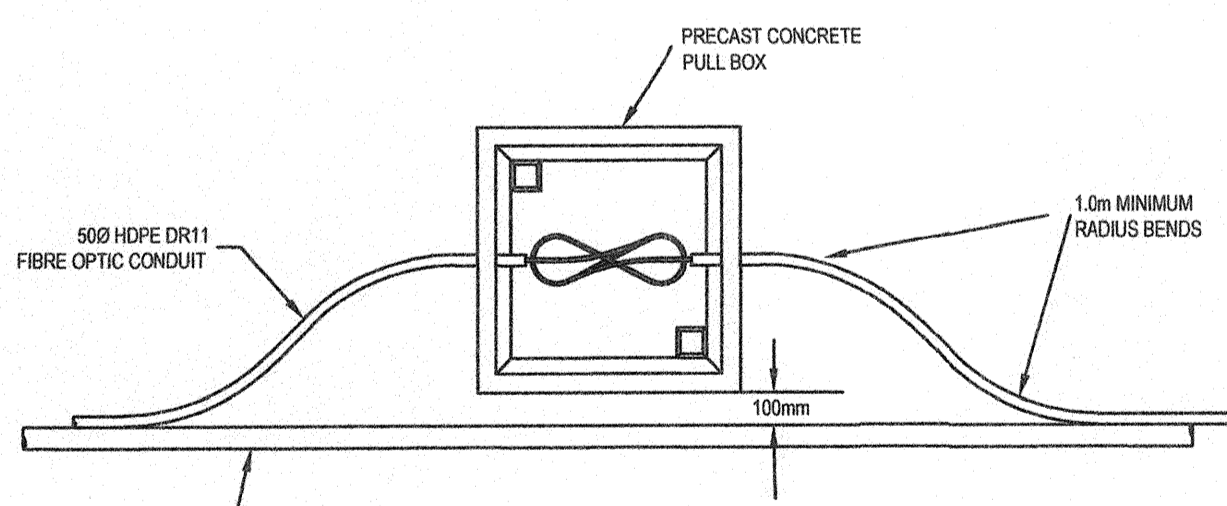
NOTE: 1. 500 HDPE CONDUIT TO BE INSTALLED AT THE SAME TIME AS 2000 HDPE WATERMAIN.
COMBINED WATERMAIN FIBRE OPTIC CONDUIT HDD DETAIL
SCALE: NTS



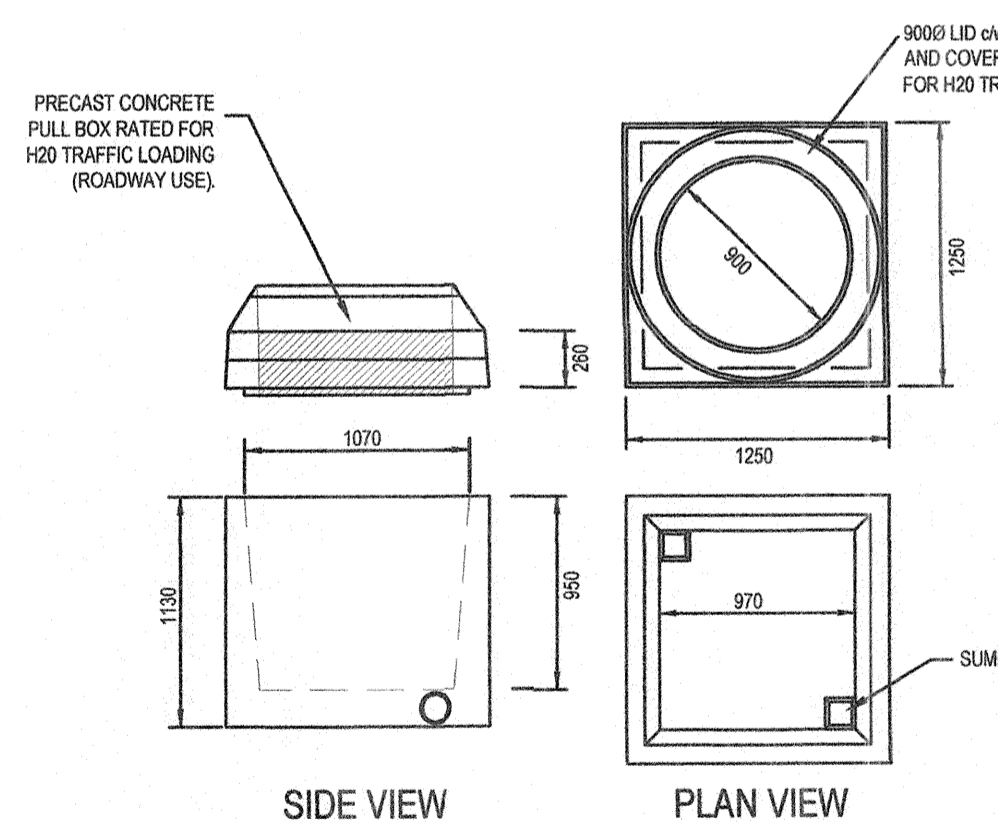
NOTE: 1. REFER TO CONTRACT DRAWINGS AND SECTIONS 0223 AND 02512 FOR DETAILED SPECIFICATIONS.
PAVEMENT RESTORATION DETAIL
SCALE: NTS



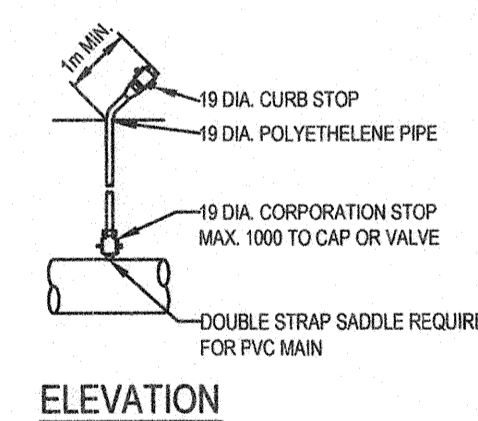
NOTE: 1. TRENCHING TO COMPLY WITH ALL REQUIREMENTS OF THE WORKERS COMPENSATION BOARD.
UTILITY TRENCH DETAIL
SCALE: NTS



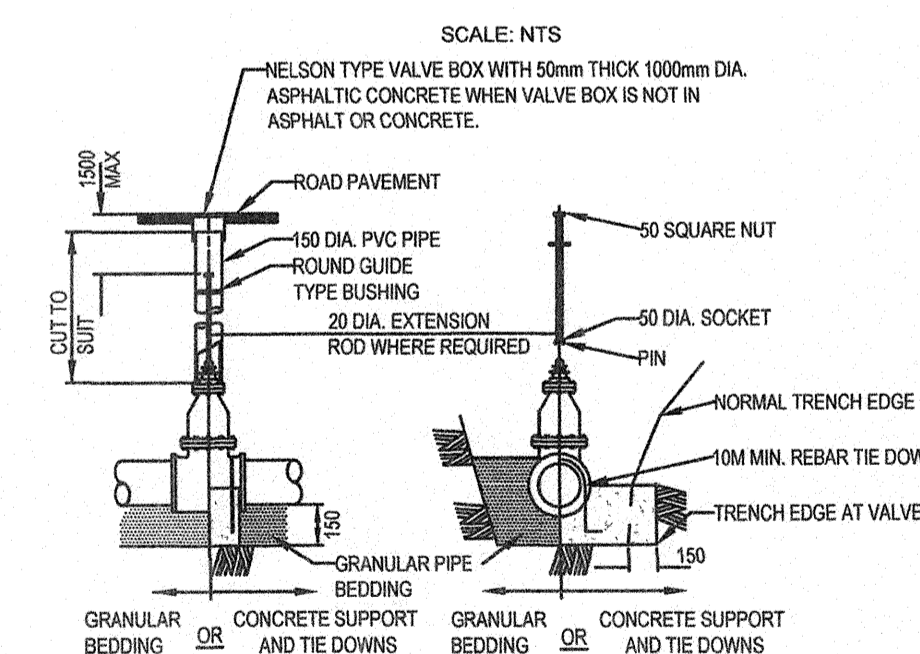
NOTE: 1. WHERE PULL BOX IS TO BE INSTALLED ADJACENT TO A WATER VALVE KEEP A MINIMUM CLEARANCE OF 100mm BETWEEN OUTSIDE OF PULL BOX AND VALVE BODY OR VALVE CHAMBER.
2. BEND RADIUS OF FIBRE CABLE MUST BE A MINIMUM OF 1.0m
PULL BOX INSTALLATION DETAIL
SCALE: NTS



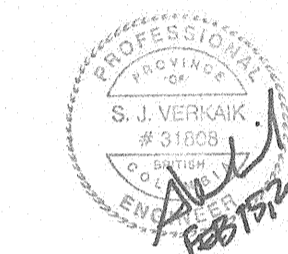
NOTE: 1. PROVIDE 200mm MINIMUM DRAIN ROCK BASE AND SURROUND
2. PROVIDE KNOCKOUTS TO SUIT
FIBRE OPTIC PULL BOX DETAIL
SCALE: NTS



NOTE: 1. THIS DETAIL TO BE USED ONLY FOR TESTING DURING CONSTRUCTION NOT TO BE USED FOR FLUSHING
2. REFER TO CONTRACT DOCUMENTS AND SECTION 33 11 16 FOR DETAILED SPECIFICATIONS
TEST POINT INSTALLATION DETAIL
SCALE: NTS



NOTE: 1. REFER TO CONTRACT DRAWINGS FOR VALVE INSTALLATION DETAILS IN AREAS OF UNSTABLE GROUND (WHERE APPLICABLE)
GATE VALVE INSTALLATION DETAIL
SCALE: NTS



6		
5		
4		
3		
2		
1	ISSUED FOR TENDER	17/01/25
Revision/Revisão	Description/Description	Date/Date

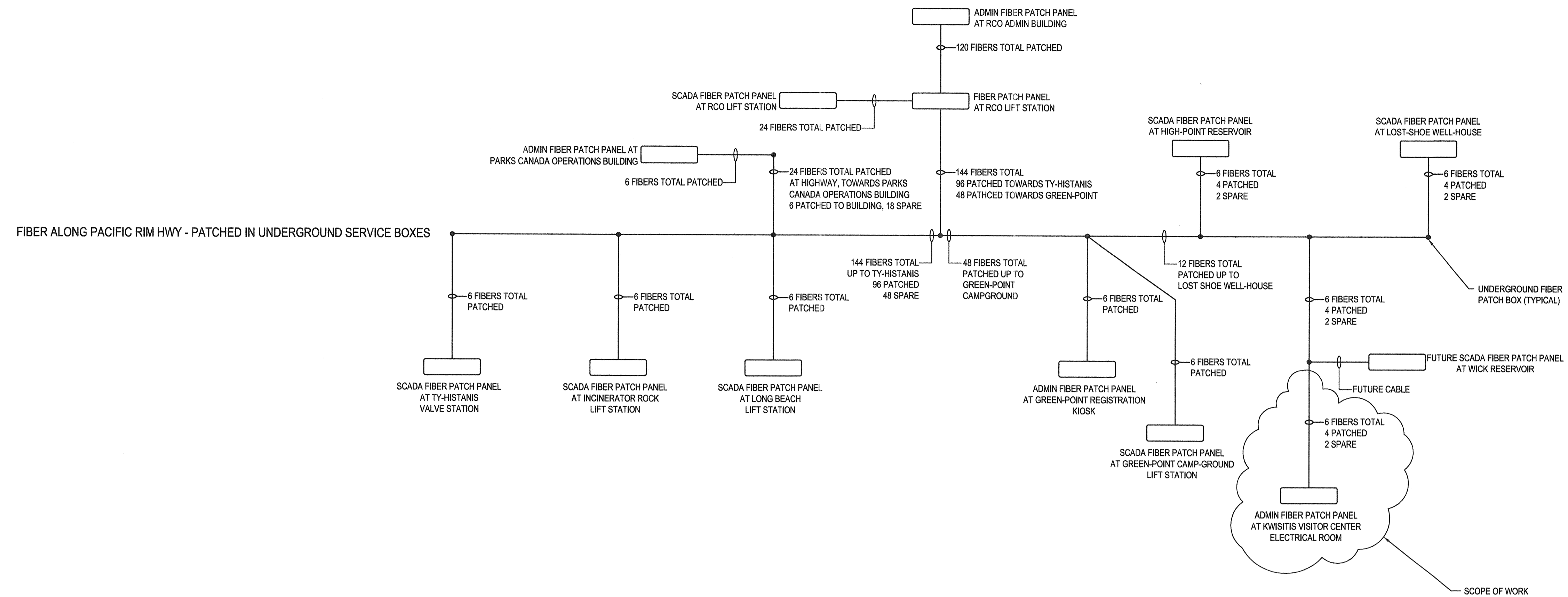
PUBLIC SERVICES & PROCUREMENT CANADA

Project title/Titre du projet
PACIFIC RIM NATIONAL PARK TOFINO, BC
WICK ROAD AND KWISITIS PARKING LOT UPGRADES

Consultant Signature Only
S. VERKAIK
Designed by/Concept par
D.FAN
Drawn by/Dessiné par
D.FAN
PWSC Project Manager/Administrateur de Projets TPSCC
T. DUNPHY
Regional Manager, Architectural and Engineering Services / Gestionnaire régionale, Services d'architectural et de génie, TPSCC
PREETIPAL PAUL
Drawing title/Titre du dessin

STANDARD DETAILS
WICKANINNIISH BEACH SERVICING

Project No./No. du projet	Sheet/Feuille	Revision no./Lo. Révision no.
R.080936.001	C205 OF 5	1



FIBER-OPTIC SPLICING DIAGRAM



16/02/2017



6		
5		
4		
3		
2		
1	ISSUED FOR TENDER	17/01/25
Revision/	Description/Description	Date/Date

Client/client
PUBLIC SERVICES & PROCUREMENT CANADA

Project Title/Titre du projet
**PACIFIC RIM NATIONAL PARK
 TOFINO, BC**
**PACIFIC RIM NATIONAL PARK
 RESERVE
 WICK BEACH SERVICING**

Consultant Signature Only
A. GARG
 Designed by/Concept par
A. GARG
 Drawn by/Dessiné par
A. GARG
 PWGSC Project Manager/Administrateur de Projets TPSGC
T. DUNPHY
 Regional Manager, Architectural and Engineering Services
 Chef de bureau régionale, Services d'architectural et de génie, TPSGC
PREETIPAL PAUL

Drawing Title/Titre du dessin
**KWISITIS VISITOR CENTER
 FIBER OPTIC SERVICING
 SPLICING DIAGRAM & DETAILS**

Project No./No. du projet	Sheet/Feuille	Revision no./La Révision no.
R.080936.001	C206 OF 5	1

SCOPE OF WORK:

- EXTEND 6-STRAND SINGLE-MODE FIBER OPTIC CABLE FROM WICK RESERVOIR SITE TO KWISITIS VISITOR CENTER ELECTRICAL ROOM, IN AN UNDERGROUND CONDUIT. ROUTING OF CONDUIT AND PULL BOXES FOR FIBER-OPTIC CABLE INSTALLATION IS AS NOTED ON CIVIL DRAWINGS. PROVIDE 15m OF SLACK CABLE AT EACH PULL BOX. PROVIDE A REDUNDANT PULL STRING IN CONDUIT, ALONG WITH FIBER OPTIC CABLE.
- PROVIDE NEW WALL-MOUNT FIBER PATCH PANEL AT THE KWISITIS VISITOR CENTER ELECTRICAL ROOM.
- MATERIALS SPECIFICATIONS:
 - 6-STRAND CABLE - LOOSE TUBE 6 FIBER SINGLE-MODE CABLE - CORNING ALTOS No. 008EU4-T4701D20
 - FIBER OPTIC SPLICE CLOSURE - TE CONNECTIVITY No. FOSCA00-B4-12-1 dw CABLE SEAL ACCESSORIES
 - WALL-MOUNT FIBER PANEL - CORNING No. SPH-01P
 - CONNECTOR HOUSING - CORNING No. CCH-CP12-A9
- PROVIDE TERMINATION AND TESTING OF EACH STRAND OF FIBER IN ACCORDANCE WITH CONTRACT REQUIREMENTS.
- FINAL CONNECTION OF FIBER AT KWISITIS VISITOR CENTER BY OTHERS.

J:\300000\31200\31283_Pacific Rim Domestic Water System\02_CADD\20_Drafting\203_Electrical\31518-FIBER OPTIC CCN.dwg

DWG. NO.
R.023478.001-851

PWGSC - A1 - 841X594

